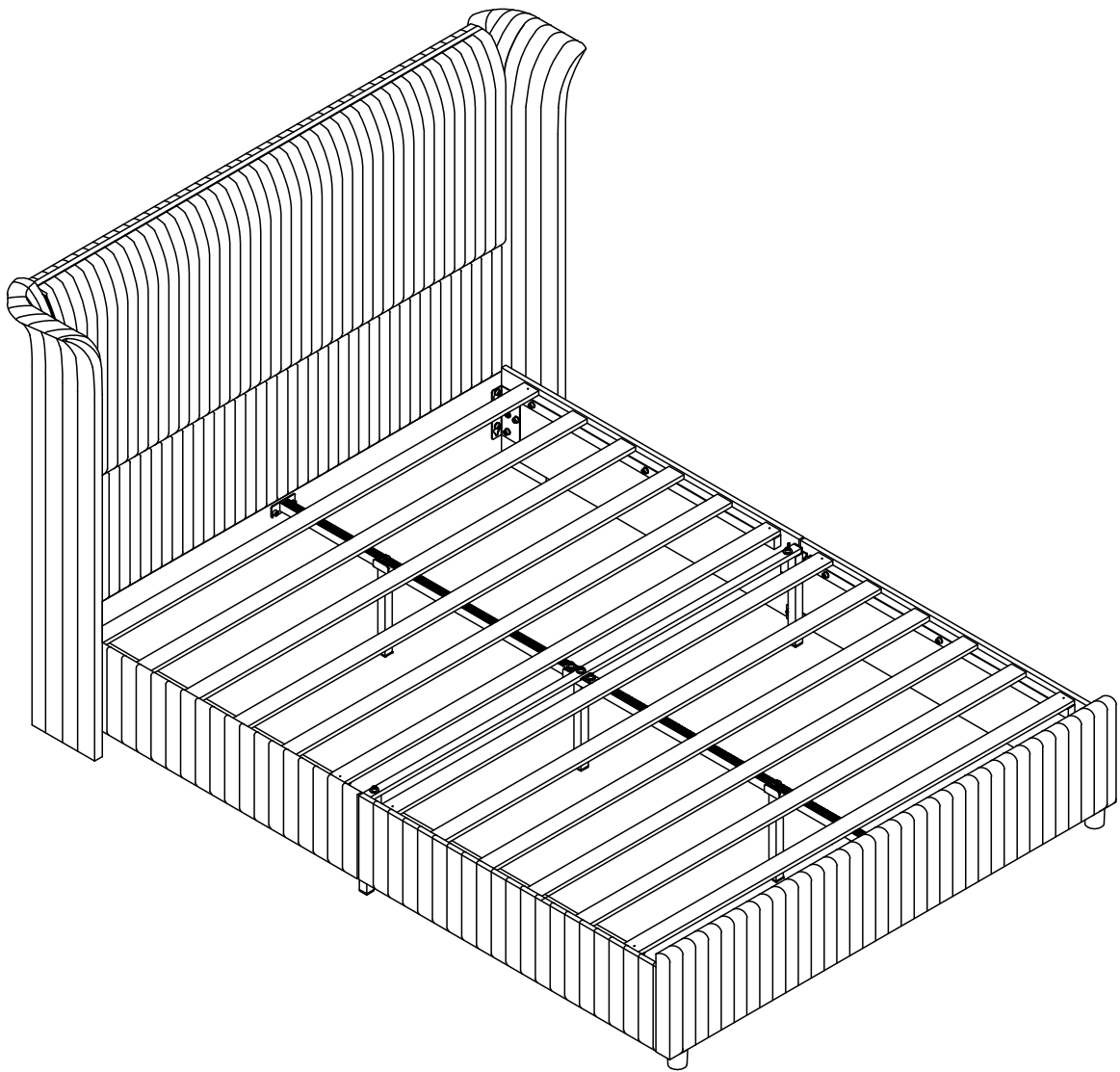


User's Manual

Bed Frame



Queen Size

KLV-UP-351 / KLV-UP-353 V1.0

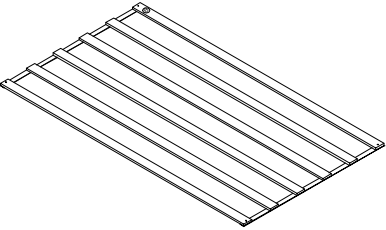
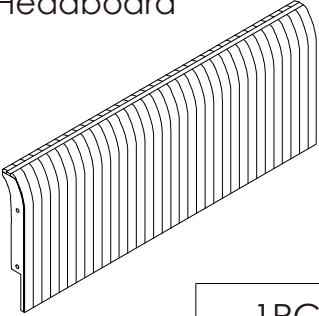

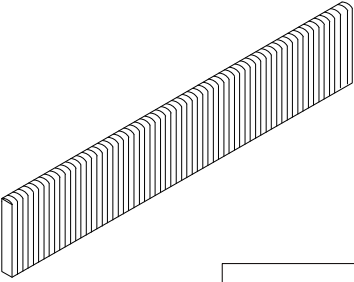
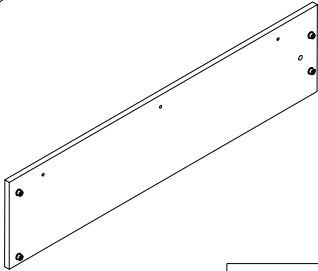
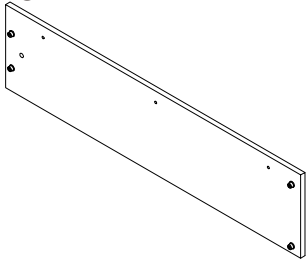
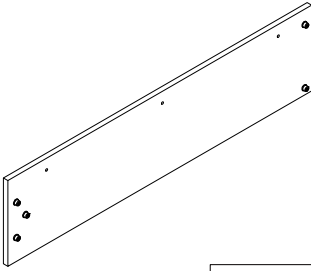
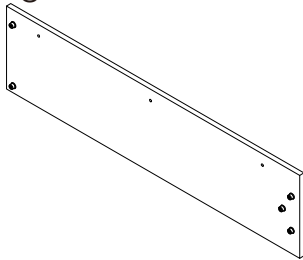
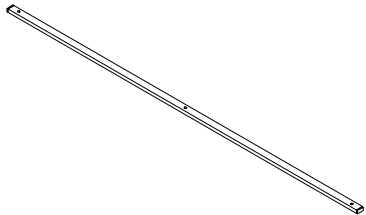
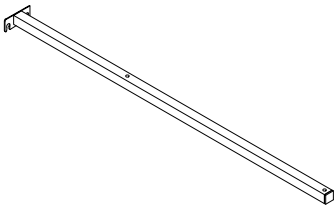
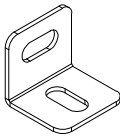
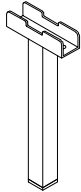
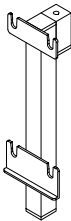

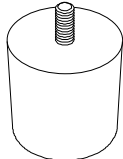
EN | ES

Contact us first if you have any problems, we would do better than Amazon's official service. Replacement for missing or damaged parts will be shipped ASAP!

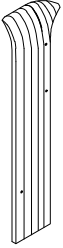
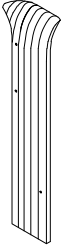
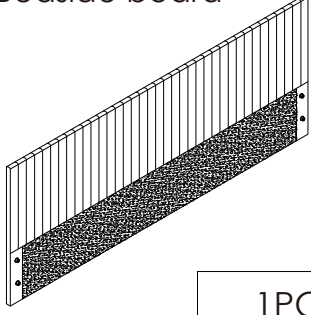
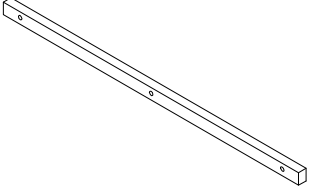
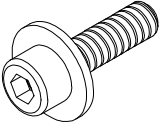
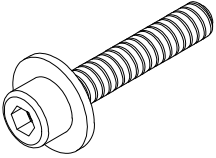
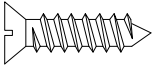
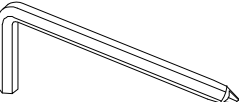
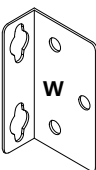
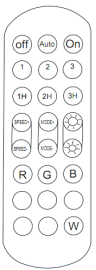

EN | ES

Si tiene algún problema con su producto o pedido, póngase en contacto con nosotros antes de consultar con el servicio de atención al cliente de Amazon, le resolveremos su problema con mayor brevedad. ¡Reemplazamos piezas perdidas o dañadas enviándolas rápidamente

Assembly Instruction

<p>B Slat</p>  <p>2PCS</p>	<p>C Headboard</p>  <p>1PC</p>	<p>D Headboard side leg</p>  <p>2PCS</p>
<p>E Footboard</p>  <p>1PC</p>	<p>F1 Left front of siderail</p>  <p>1PC</p>	<p>F2 Right front of siderail</p>  <p>1PC</p>
<p>F3 Left back of siderail</p>  <p>1PC</p>	<p>F4 Right back of siderail</p>  <p>1PC</p>	<p>G The brace</p>  <p>1PC</p>
<p>H Back Middle cross beam</p>  <p>2PCS</p>	<p>I Connecting piece</p>  <p>1PC</p>	<p>J Middle leg</p>  <p>1PC</p>
<p>K Edge of the foot</p>  <p>2PCS</p>	<p>L Leg</p>  <p>2PCS</p>	<p>M Bed leg</p>  <p>2PCS</p>

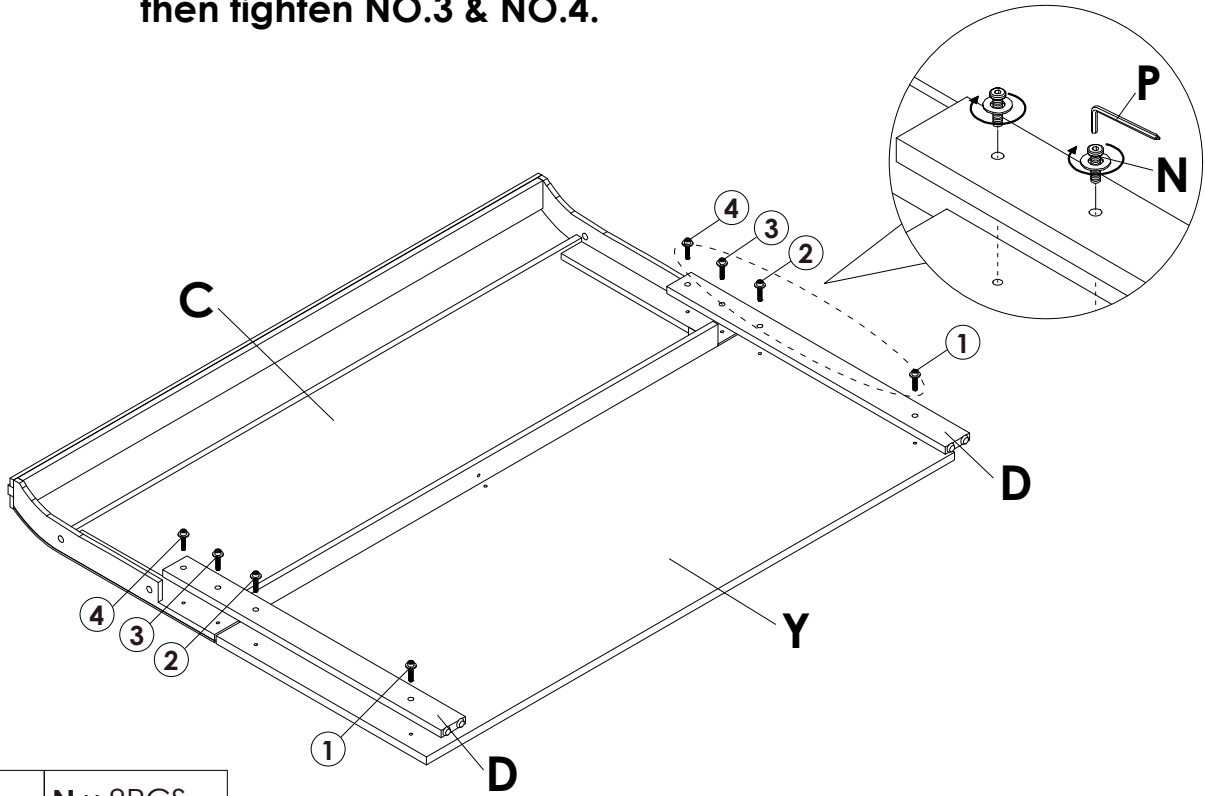
Assembly Instruction



<p>R1 Left wing</p>  <p>1PC</p>	<p>R2 Right wing</p>  <p>1PC</p>	<p>Y Bedside board</p>  <p>1PC</p>
<p>Z Support Wood</p>  <p>4PCS</p>		
<p>N Innerscrew</p>  <p>M8×40mm 31+1PCS</p>	<p>Q Innerscrew</p>  <p>M8×50mm 2PCS</p>	<p>O Screw</p>  <p>M3.5×25mm 8+1PCS</p>
<p>P Inner allen wrench</p>  <p>1PC</p>	<p>W Bracket</p>  <p>4PCS</p>	<p>W1 Controller</p>  <p>1PC</p>
<p>X1 Receiver</p>  <p>1PC</p>		

Assembly Instruction of (Bed)

STEP 1

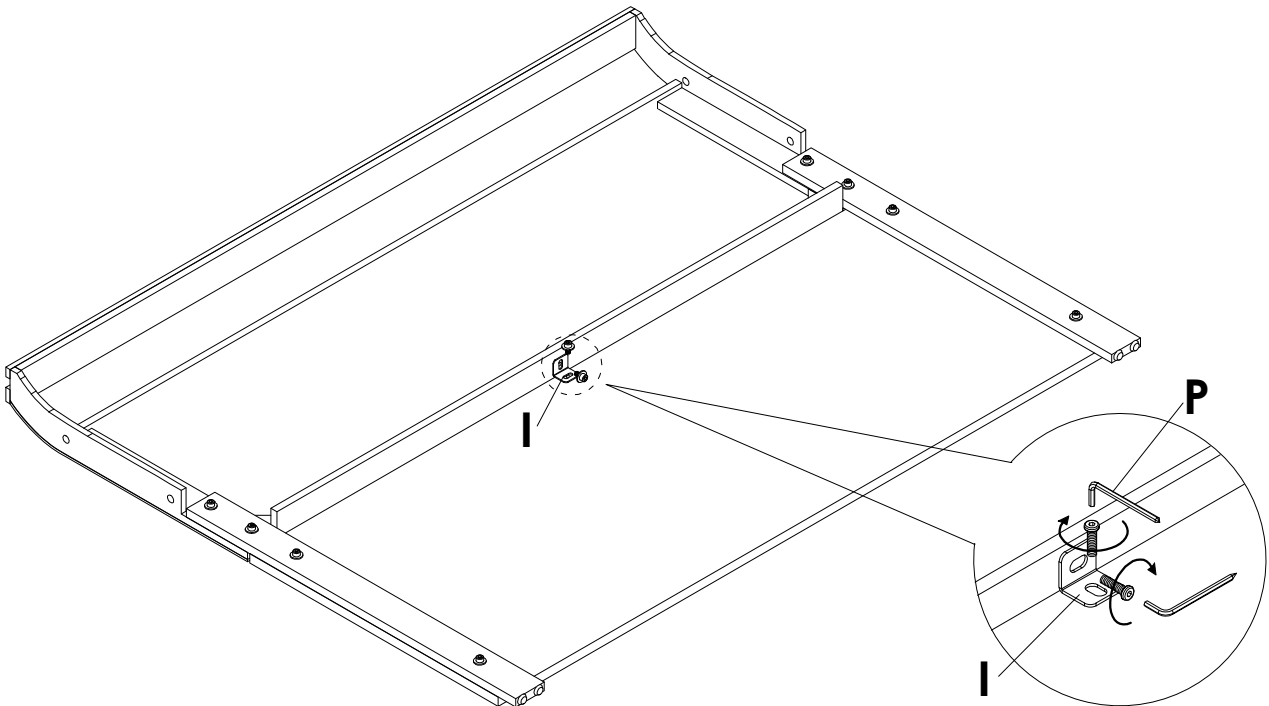
Tighten the NO.1 & NO.2 first, then tighten NO.3 & NO.4.



	N x 8PCS
	P x 1PC

STEP 2

First loosen the screws, align the holes and tighten the screws for reinforcement.



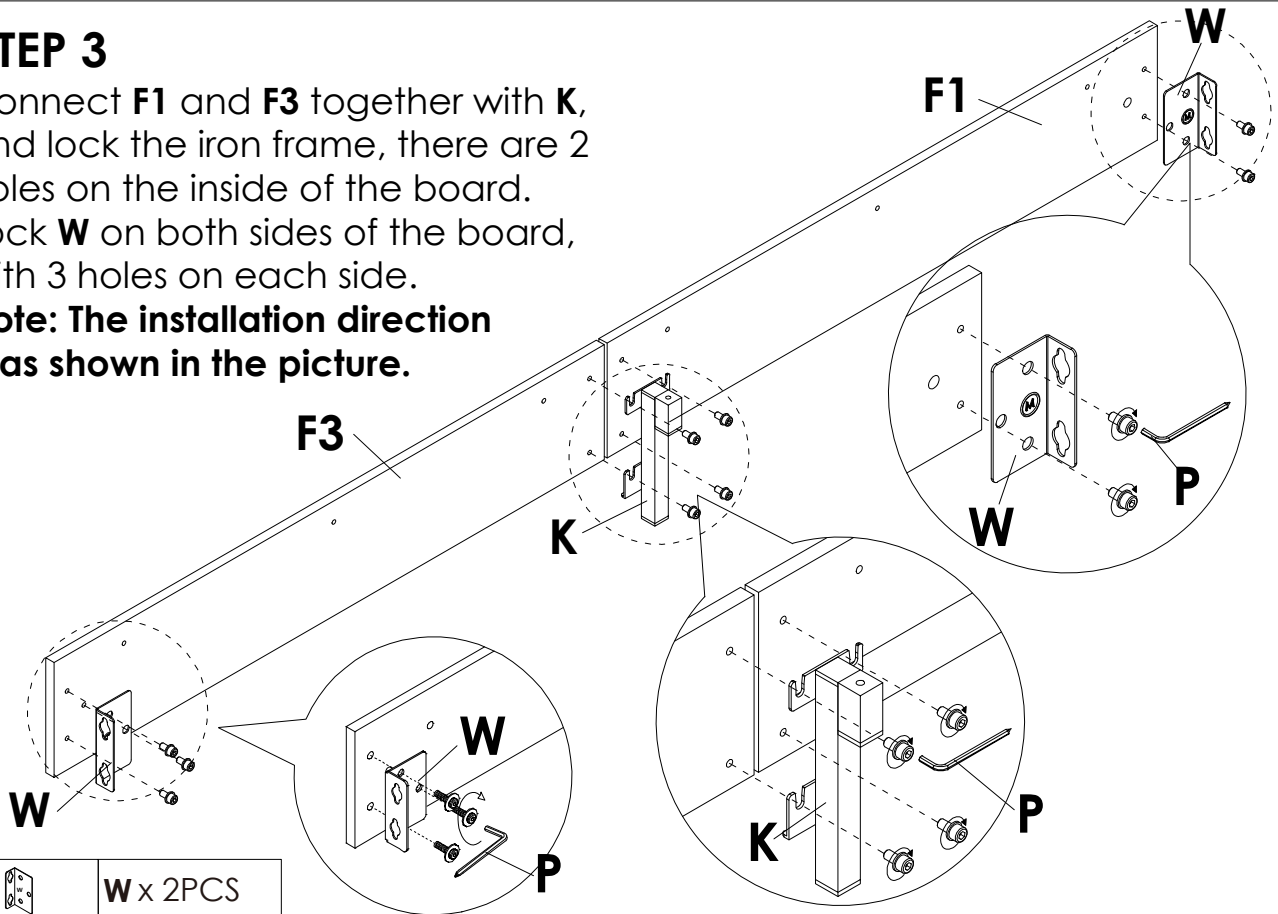
	P x 1PC
---	---------



Assembly Instruction of (Bed)

STEP 3

Connect **F1** and **F3** together with **K**, and lock the iron frame, there are 2 holes on the inside of the board. Lock **W** on both sides of the board, with 3 holes on each side.

Note: The installation direction is as shown in the picture.

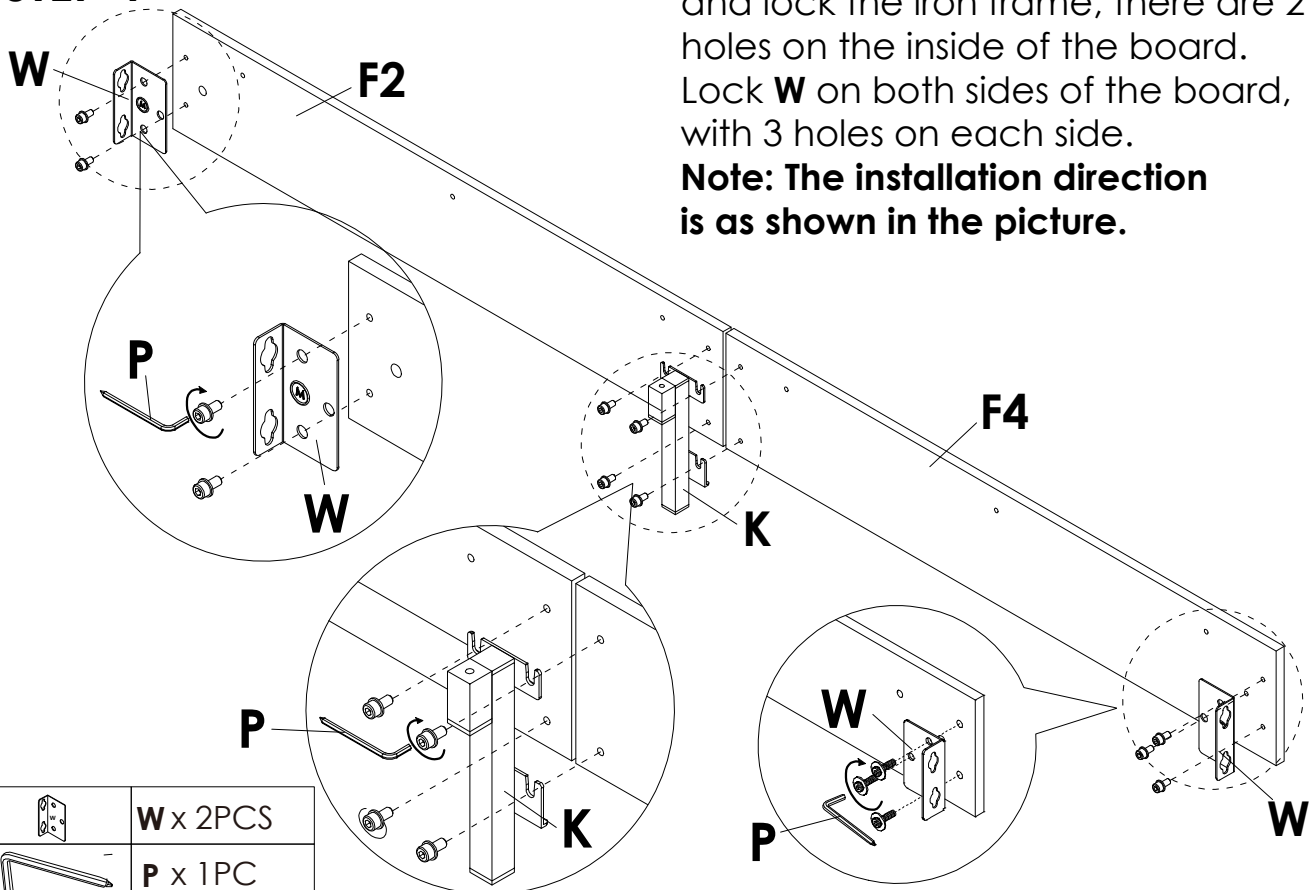




	W x 2PCS
	P x 1PC

STEP 4

Connect **F2** and **F4** together with **K**, and lock the iron frame, there are 2 holes on the inside of the board. Lock **W** on both sides of the board, with 3 holes on each side.

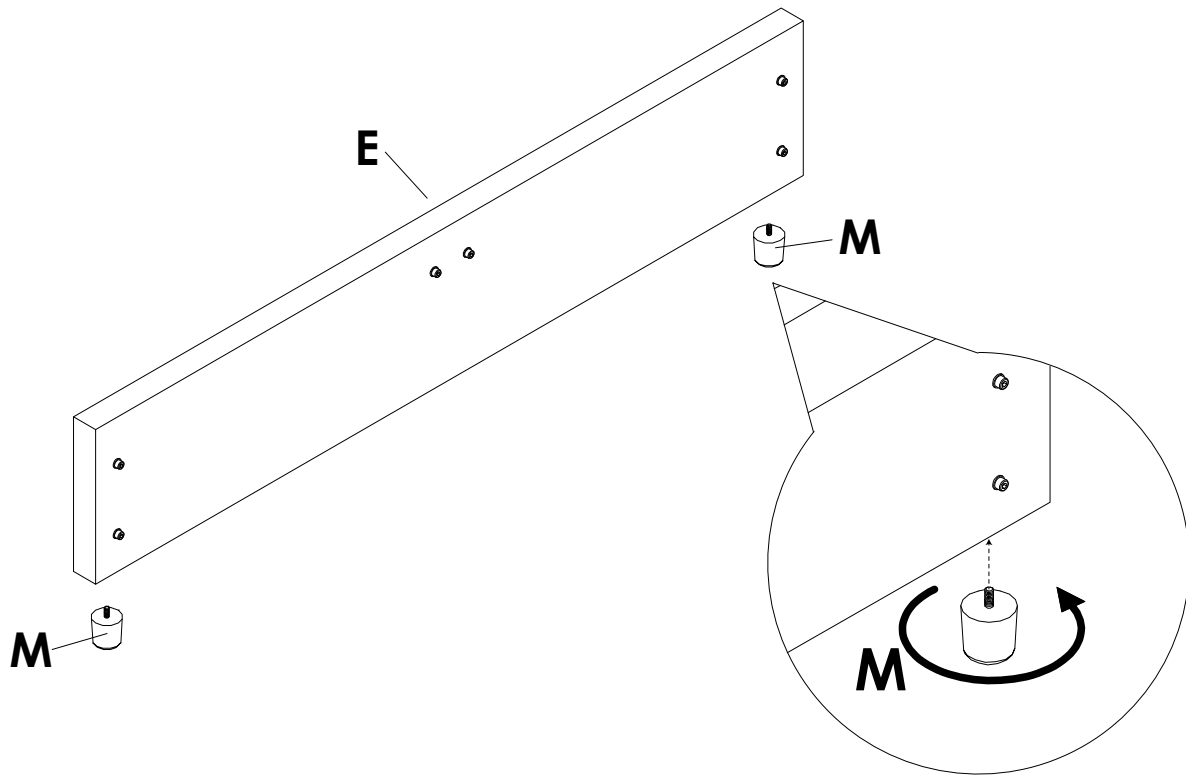
Note: The installation direction is as shown in the picture.



	W x 2PCS
	P x 1PC

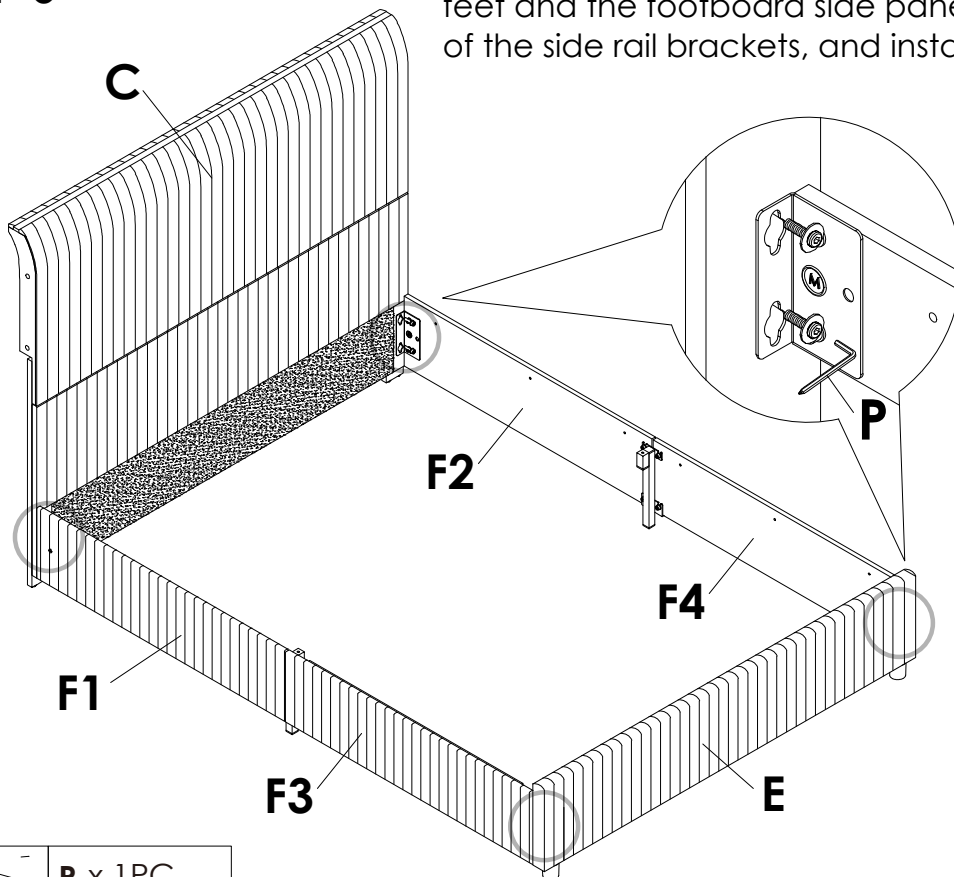
Assembly Instruction of (Bed)

STEP 5



STEP 6

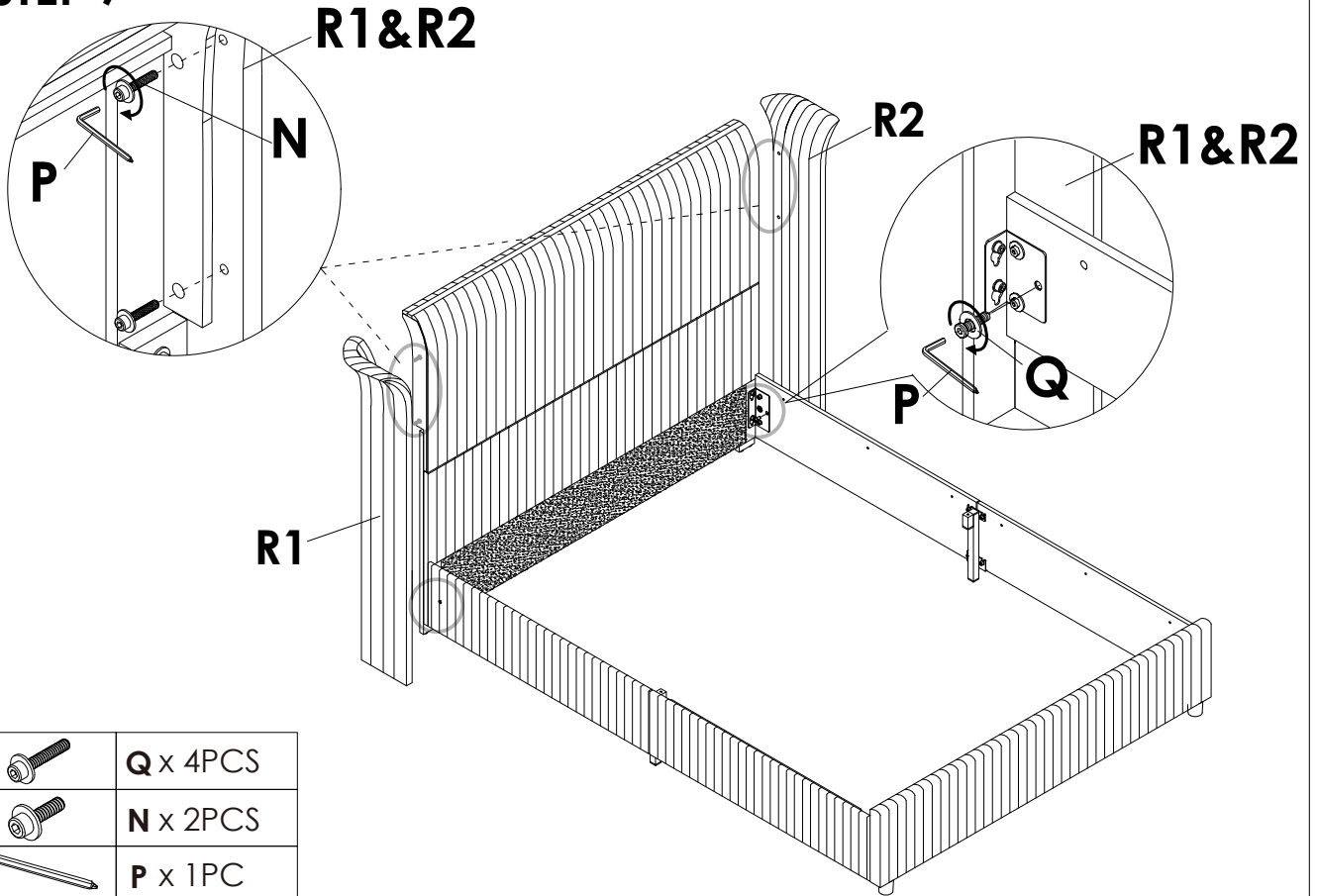
Loosen the pre-installed screws on the headboard feet and the footboard side panels, align the holes of the side rail brackets, and install the screws.



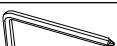


P x 1PC

Assembly Instruction of (Bed)

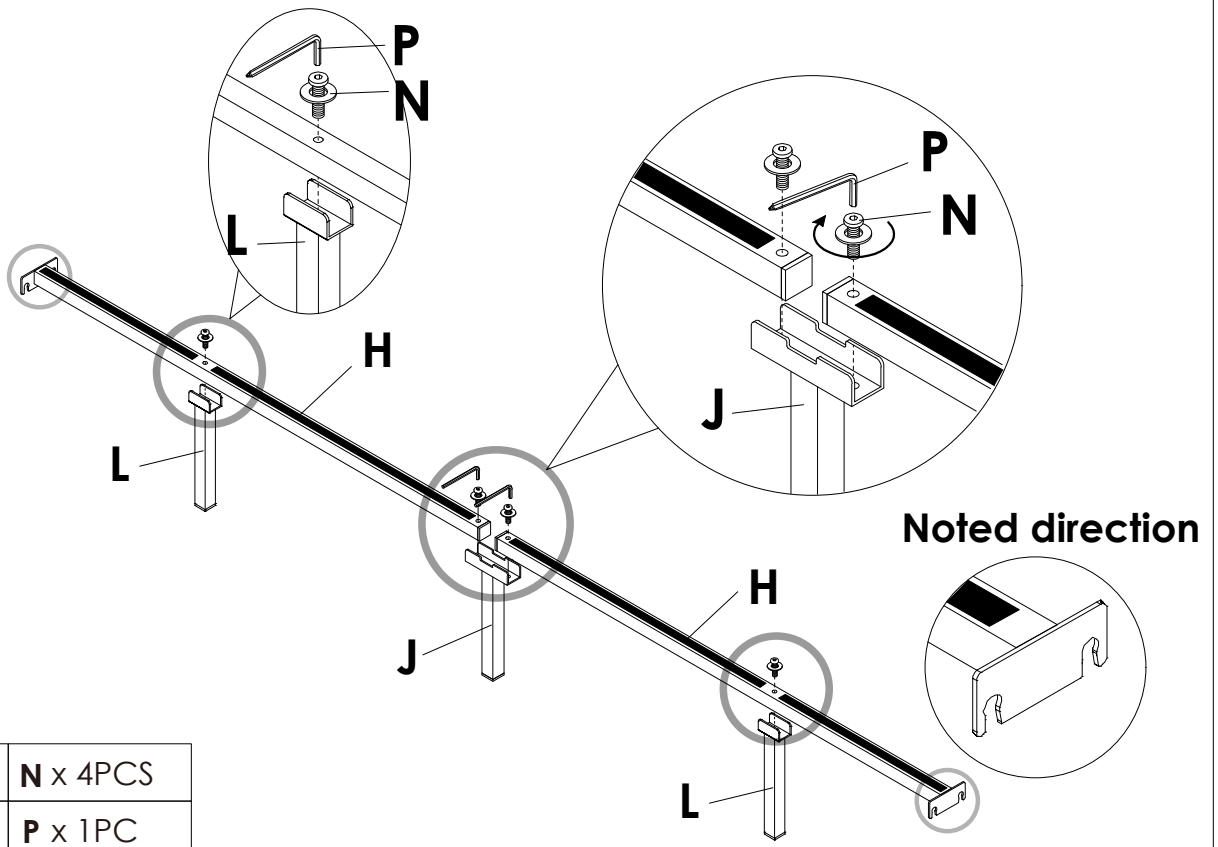
STEP 7





	Q x 4PCS
	N x 2PCS
	P x 1PC

STEP 8

Noted that the red arrow is pointing towards the **headboard**.

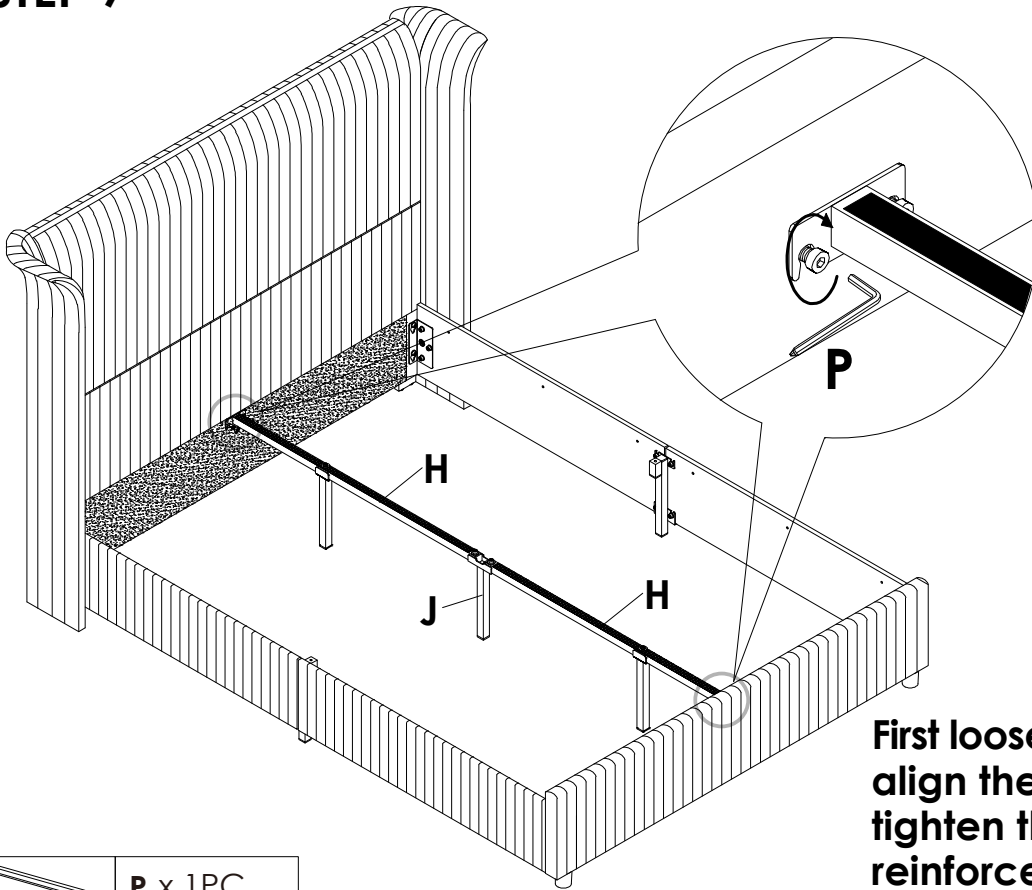


Noted direction

	N x 4PCS
	P x 1PC

Assembly Instruction of (Bed)

STEP 9

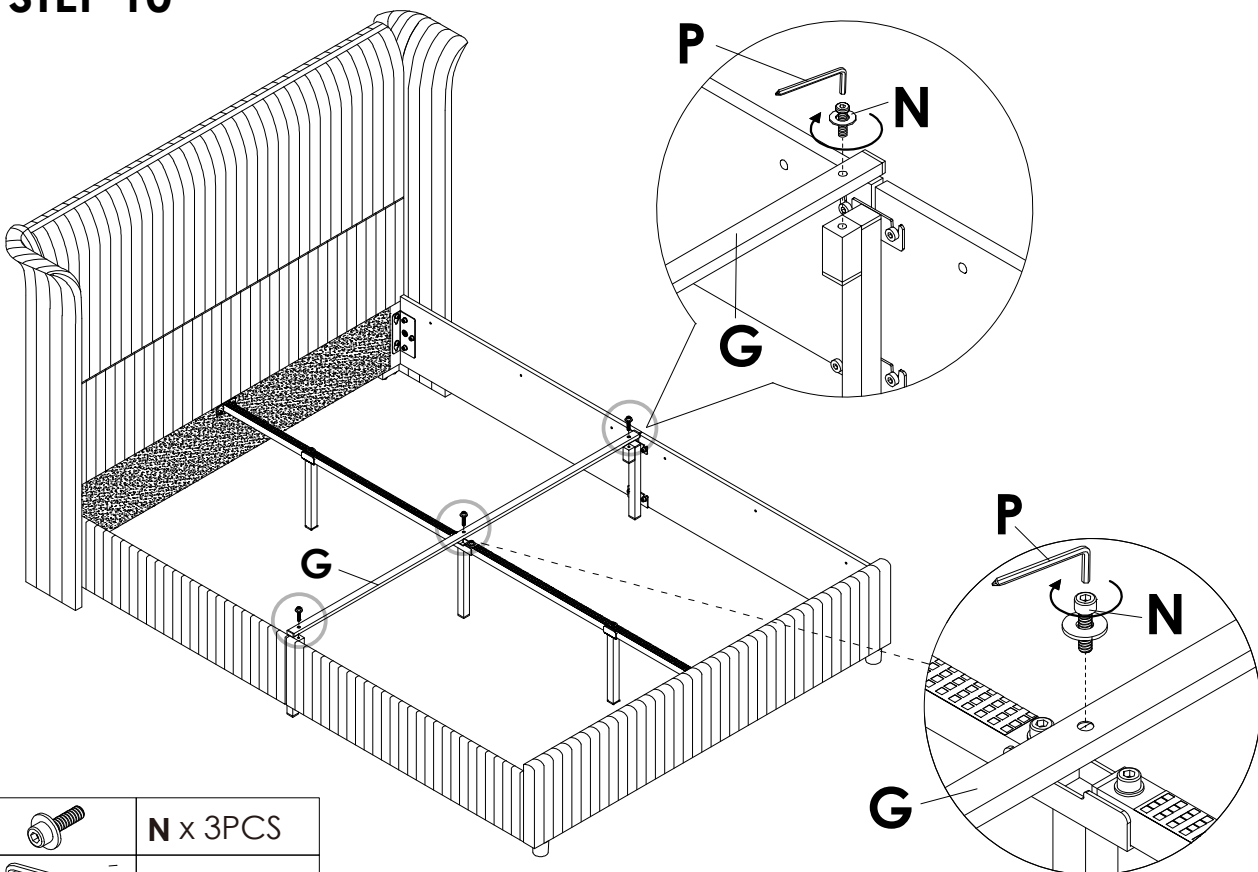


First loosen the screws, align the holes and tighten the screws for reinforcement.



P x 1PC

STEP 10



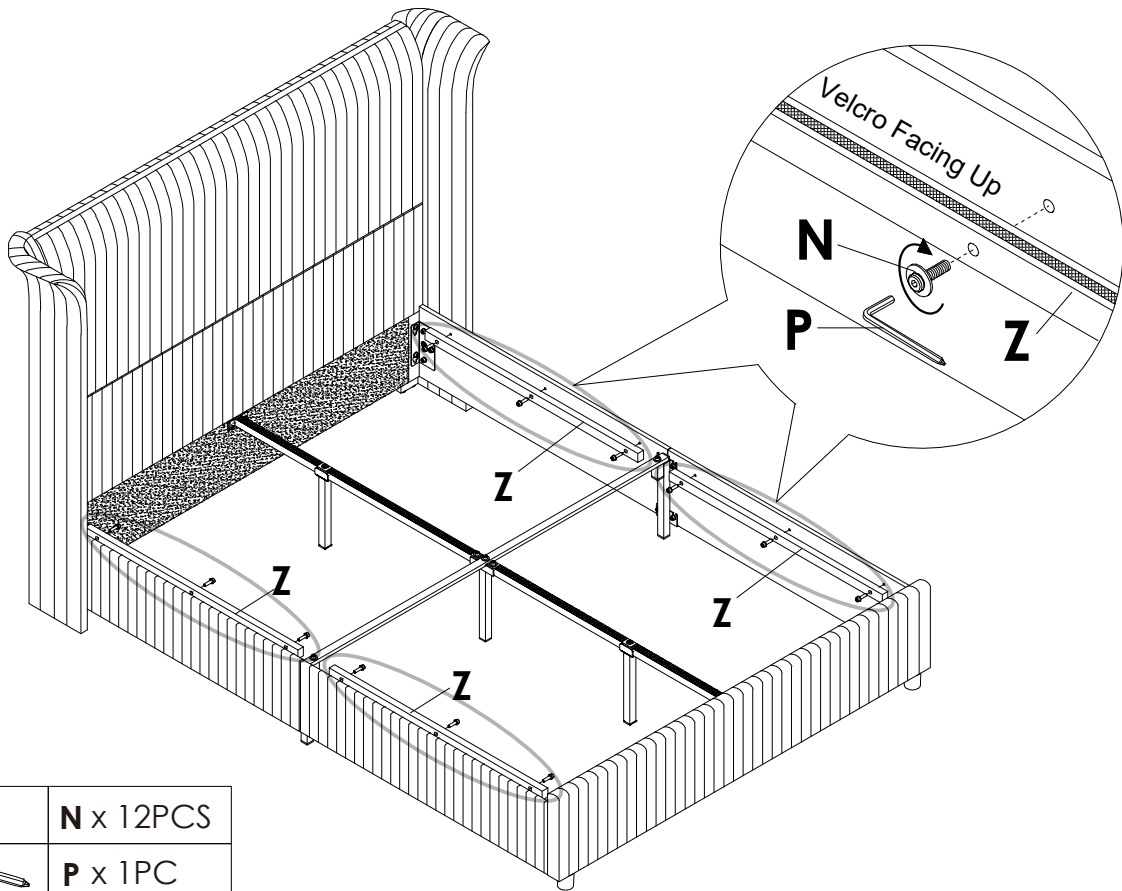
N x 3PCS





P x 1PC

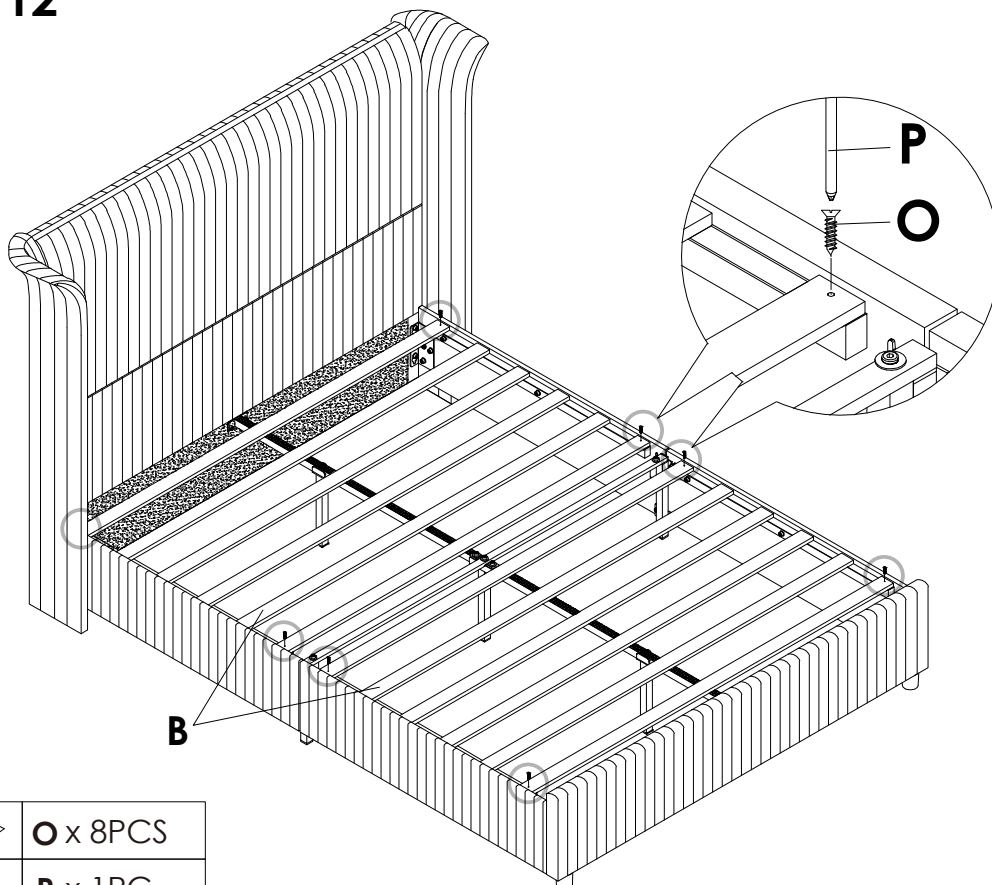
Assembly Instruction of (Bed)

STEP 11



	N x 12PCS
	P x 1PC

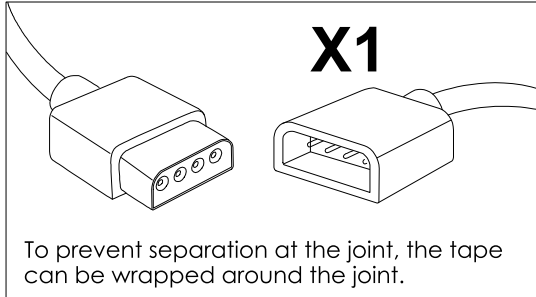
STEP 12



	O x 8PCS
	P x 1PC

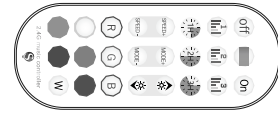
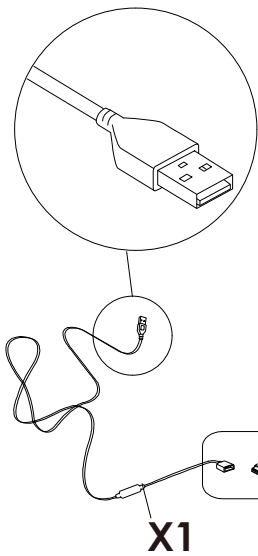
Assembly Instruction of (Bed)

STEP 13



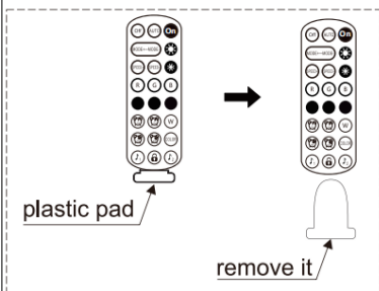
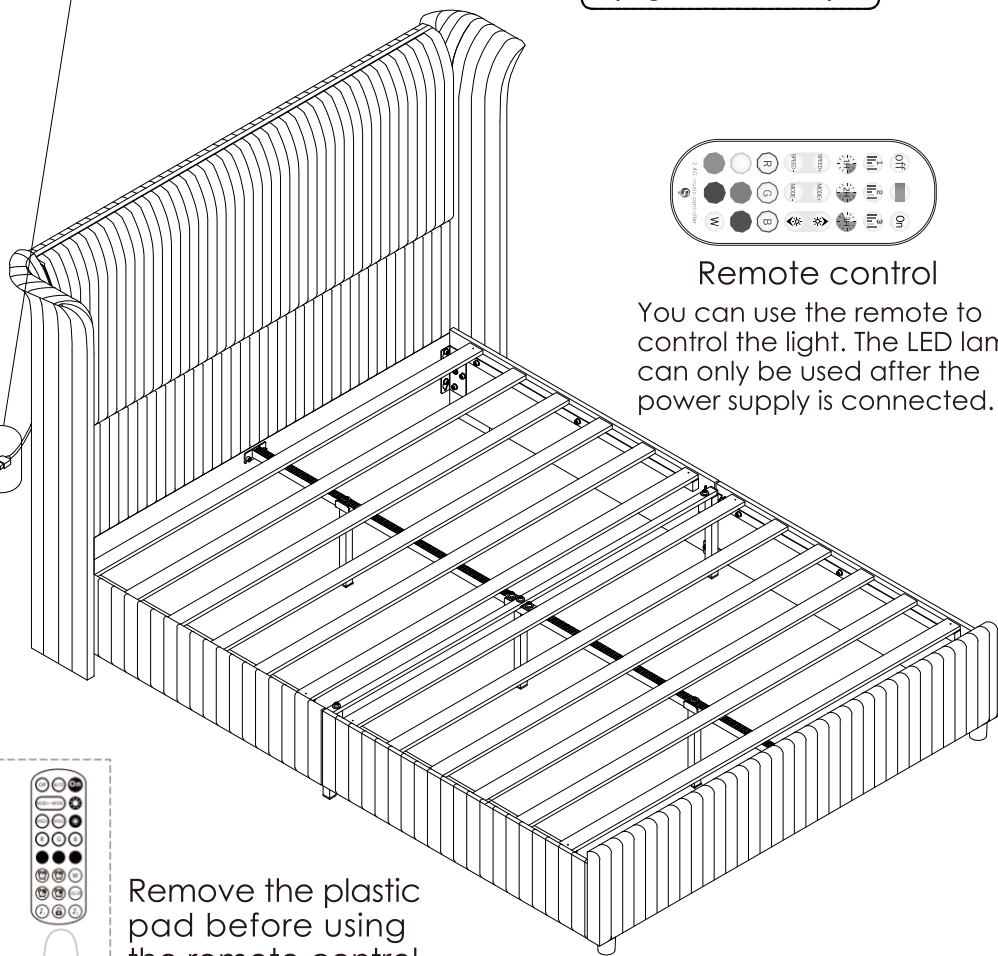
NOTE: The black part of the receiver (X1) needs to be exposed to air in order to better control the LED light.

WARNING
★ Please use a 5V2A power plug for this LED Strip



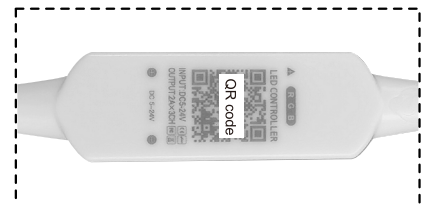
Remote control

You can use the remote to control the light. The LED lamp can only be used after the power supply is connected.



Remove the plastic pad before using the remote control

Please scan the QR code on the manual/controller and install the application.
Step1: Please make sure your phone has Bluetooth enabled.
Step2: The LED light will automatically connect to the APP.



 **X1 x 1PC**