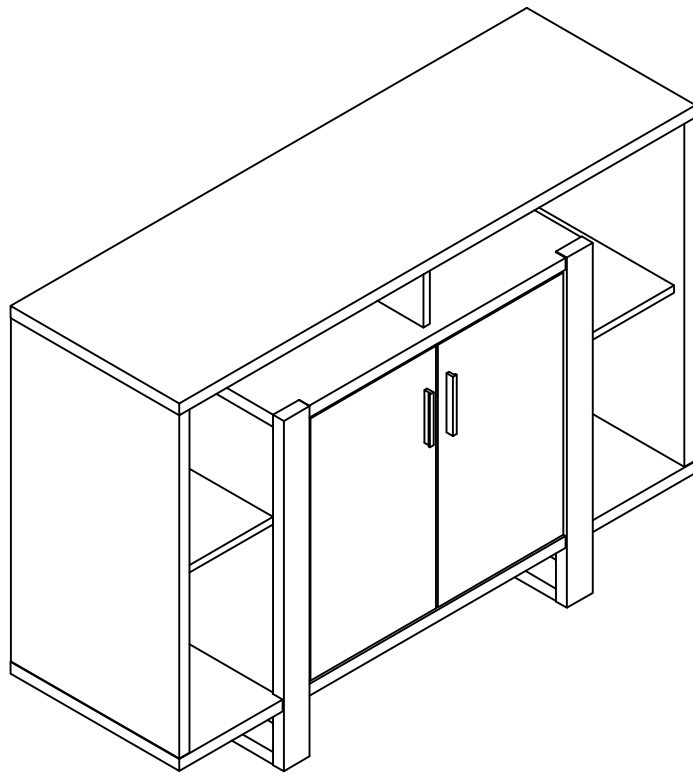


ASSEMBLY INSTRUCTION



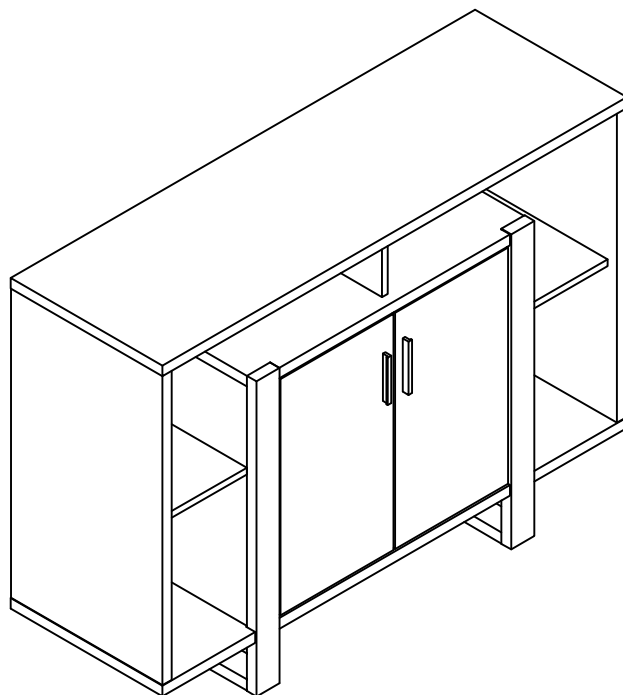
ASSEMBLY INSTRUCTION

PLEASE READ BEFORE ASSEMBLING!

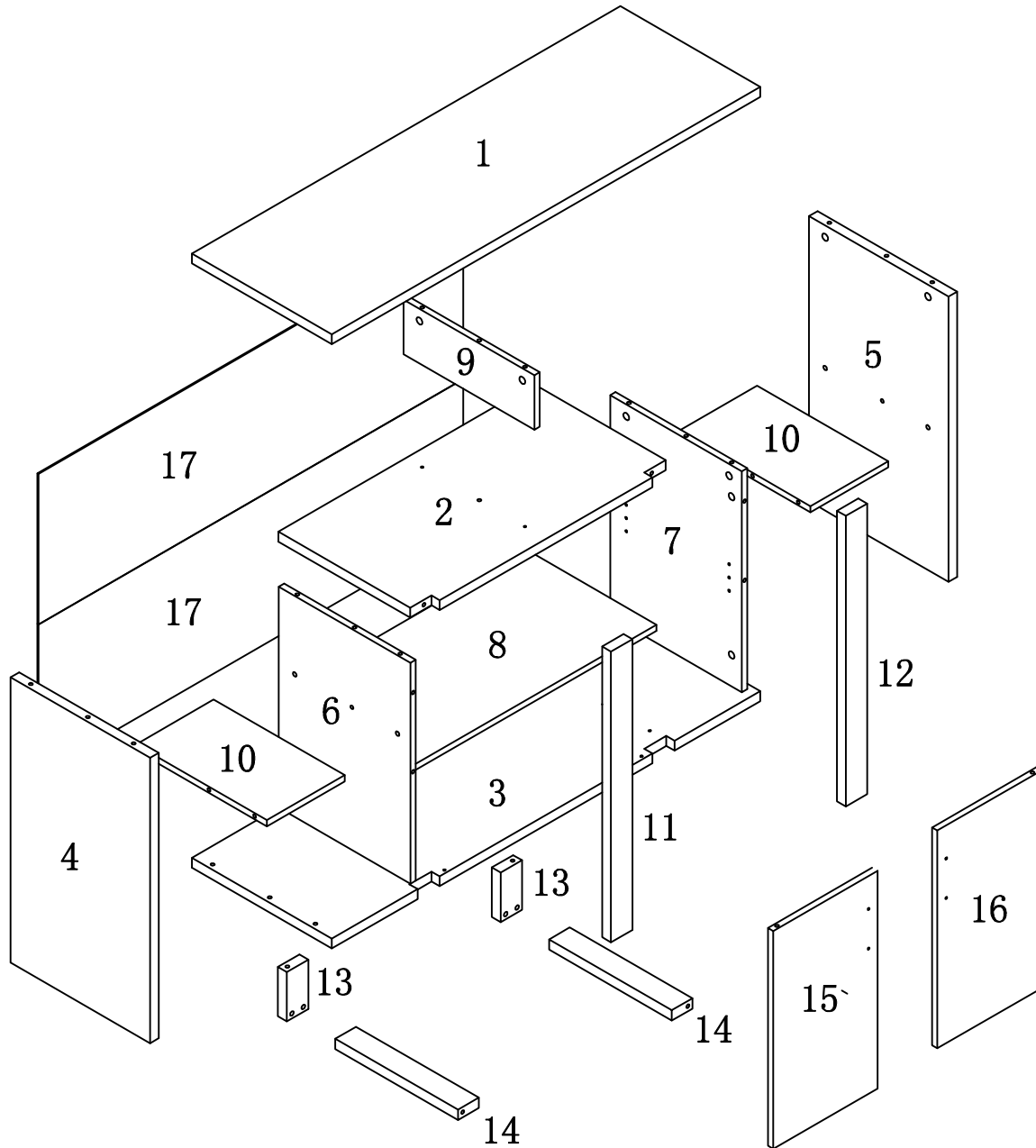
Tip #1: Make sure you've taken all the pieces and hardware out of its packaging before discarding the box.

Tip #2: Using page 2 and/or page 3 of instruction manual make sure all pieces and hardware are accounted for.

Tip #3: Read manual before assembling, it helps!



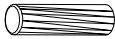
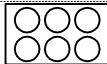
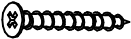




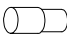
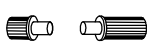
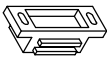

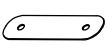
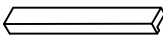



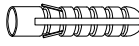

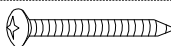
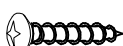


PARTS IDENTIFICATION

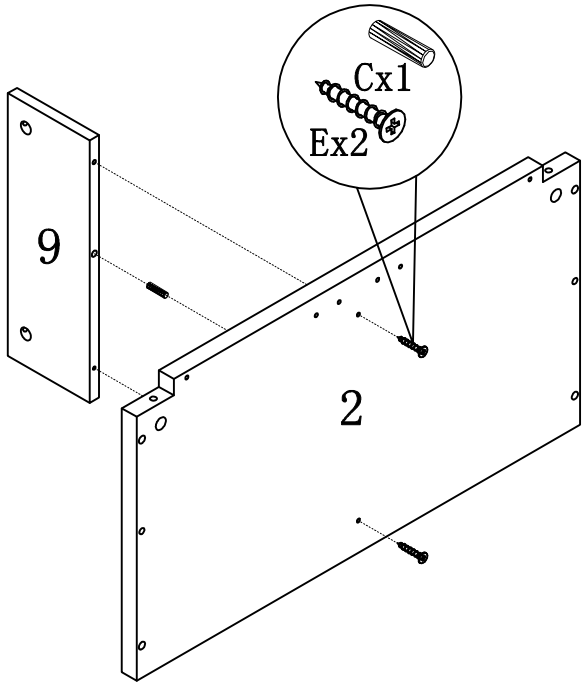


(1)	1pc	(7)	1pc	(13)	2pcs
(2)	1pc	(8)	1pc	(14)	2pcs
(3)	1pc	(9)	1pc	(15)	1pc
(4)	1pc	(10)	2pcs	(16)	1pc
(5)	1pc	(11)	1pc	(17)	2pcs
(6)	1pc	(12)	1pc		

HARDWARE IDENTIFICATION

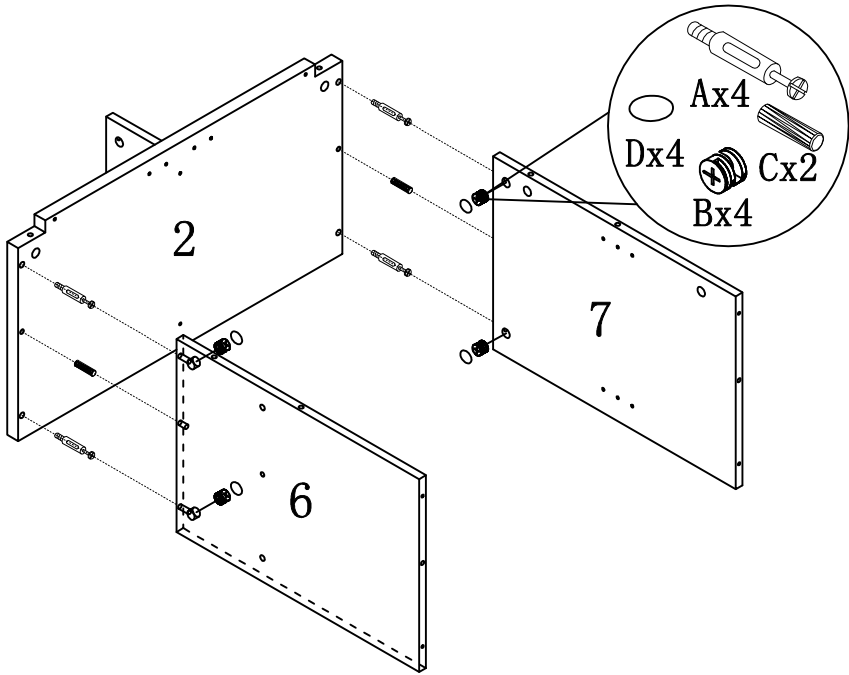
A		L29	36pcs
B		Ø15	36pcs
C		Ø8x25	16pcs
D		Ø22	14pcs
E		Ø4x50	6pcs
F		Ø7x48	4pcs
G		Ø8xØ16x2	4pcs
H		Ø3x12	4pcs
I			45pcs
J		Ø5x15	4pcs
K			2pcs
L			2pcs
M		Ø4x16	4pcs
N			2pcs
O		96#	2pcs
P		Ø4x22	4pcs
Q		Ø16	4pcs
R		197x5x1	1pc
S		Ø8x40	1pc
T		12x12x1	2pc
U		Ø5x40	1pc
V		Ø4x25	1pc

ASSEMBLY INSTRUCTION

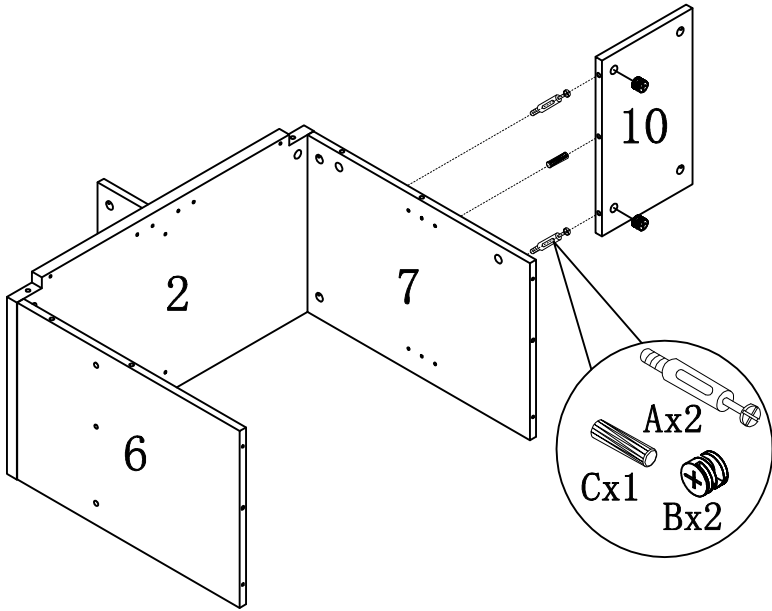


STEP 1

STEP 2

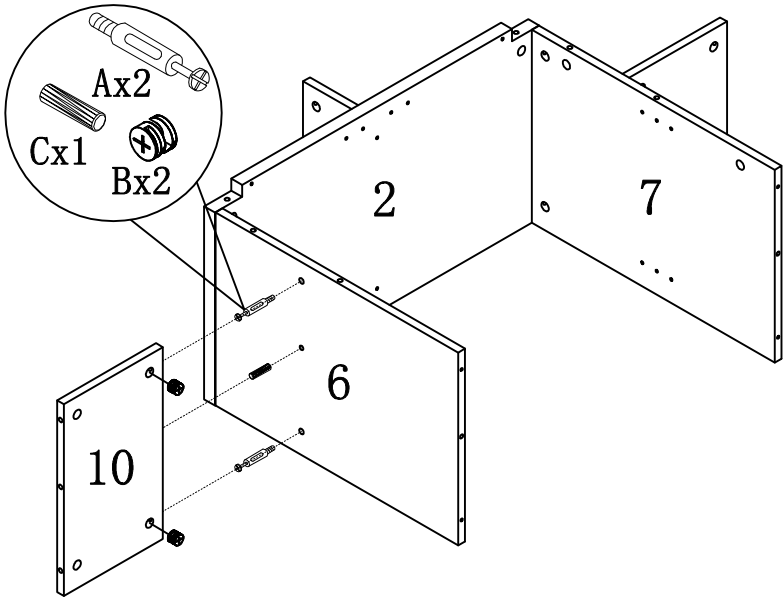


ASSEMBLY INSTRUCTION

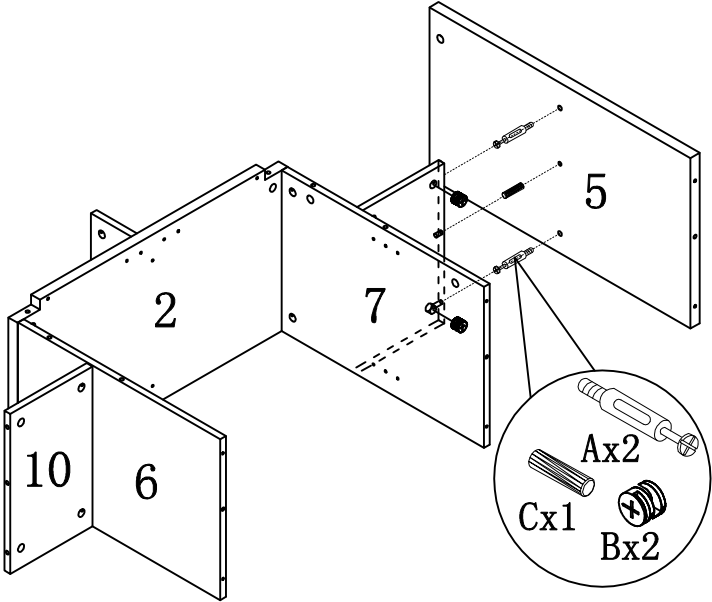


STEP3

STEP4

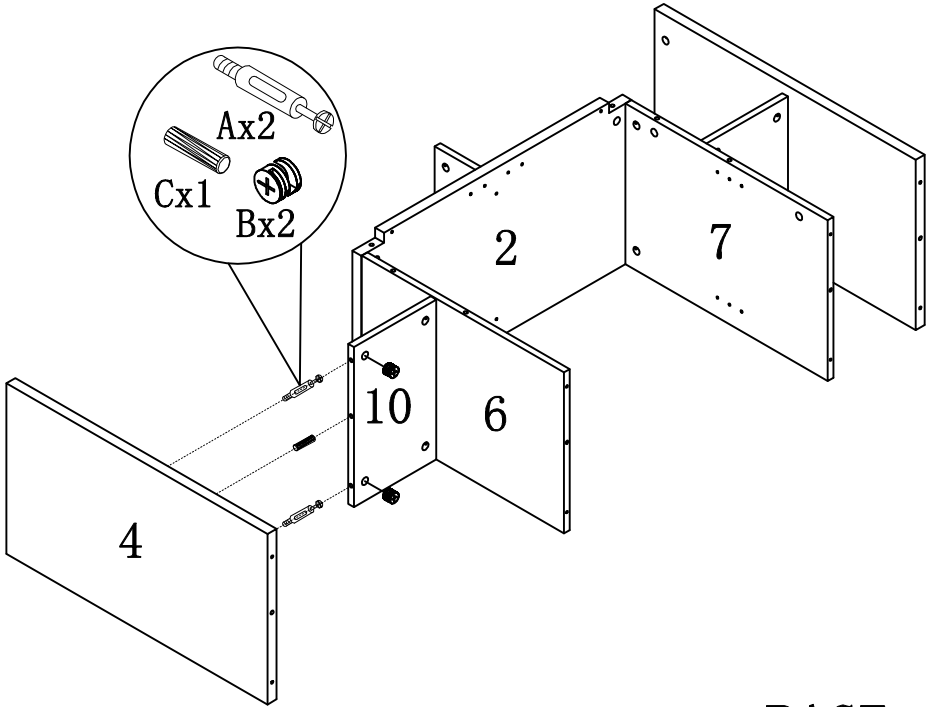


ASSEMBLY INSTRUCTION

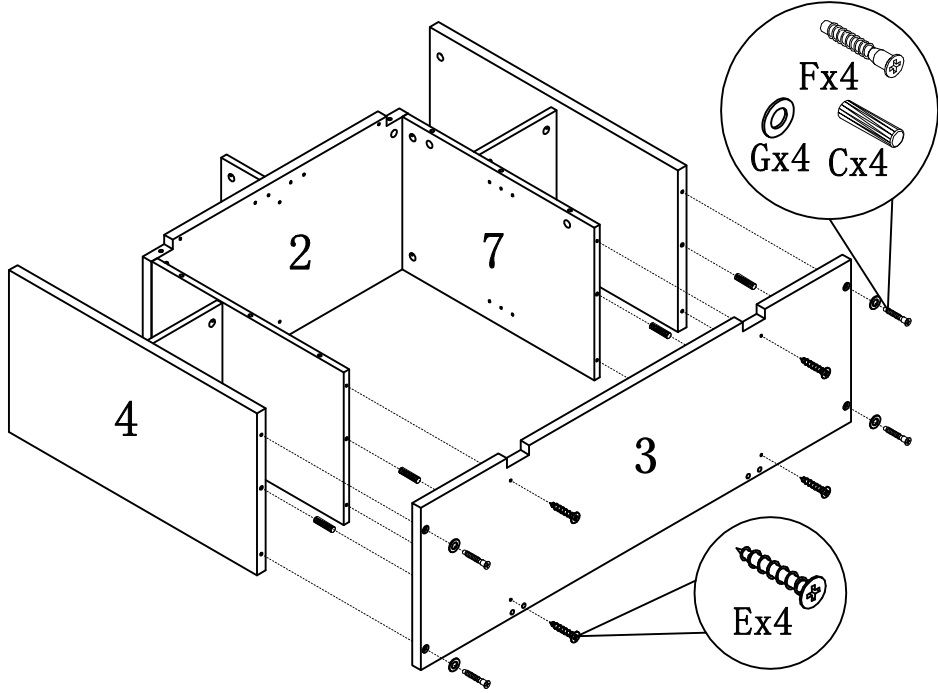


STEP5

STEP6

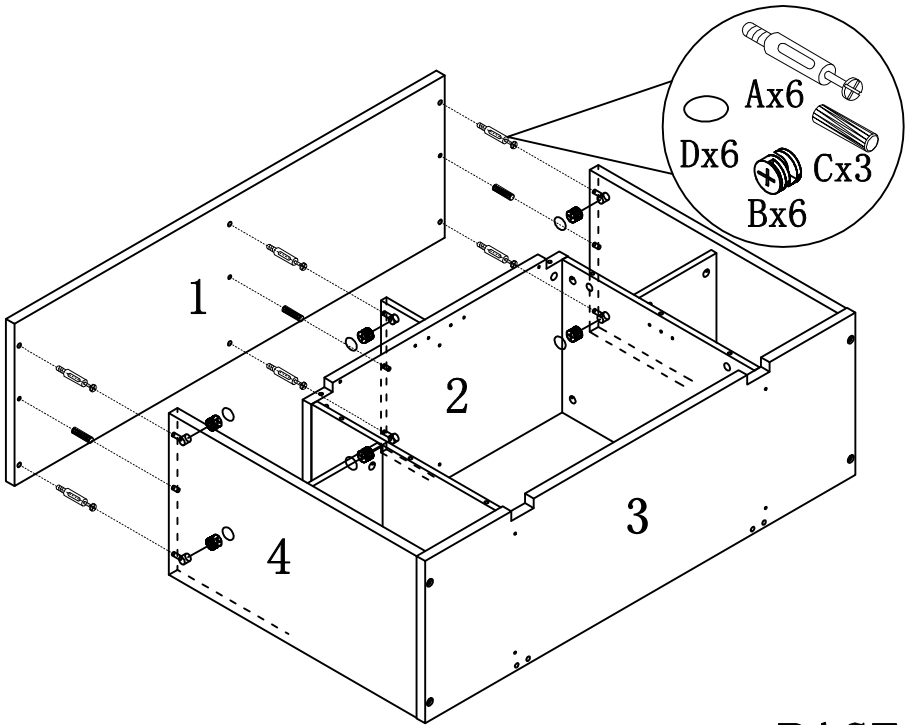


ASSEMBLY INSTRUCTION

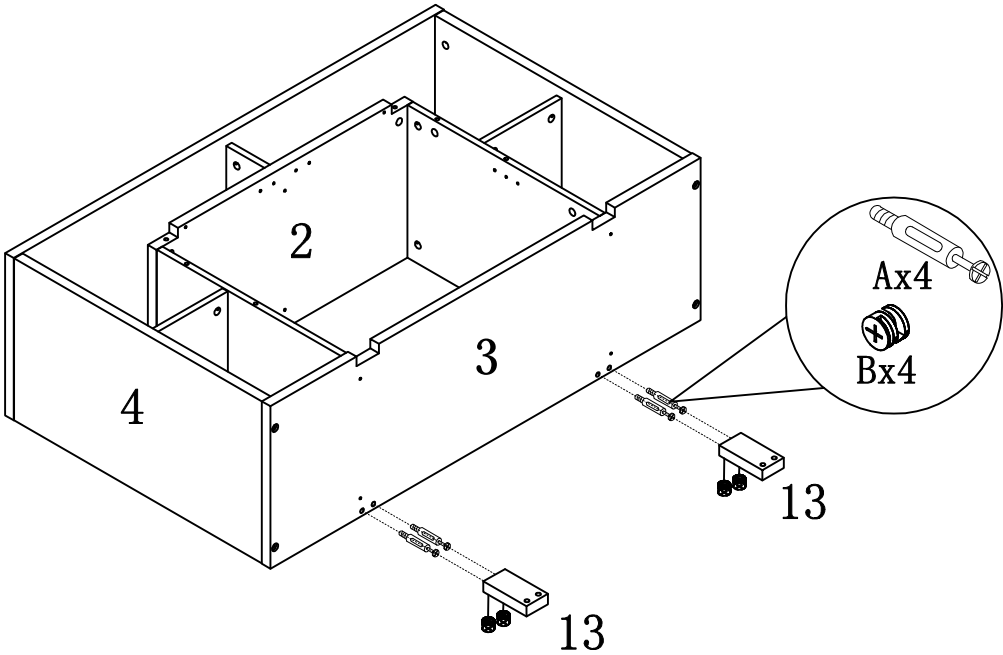


STEP7

STEP8

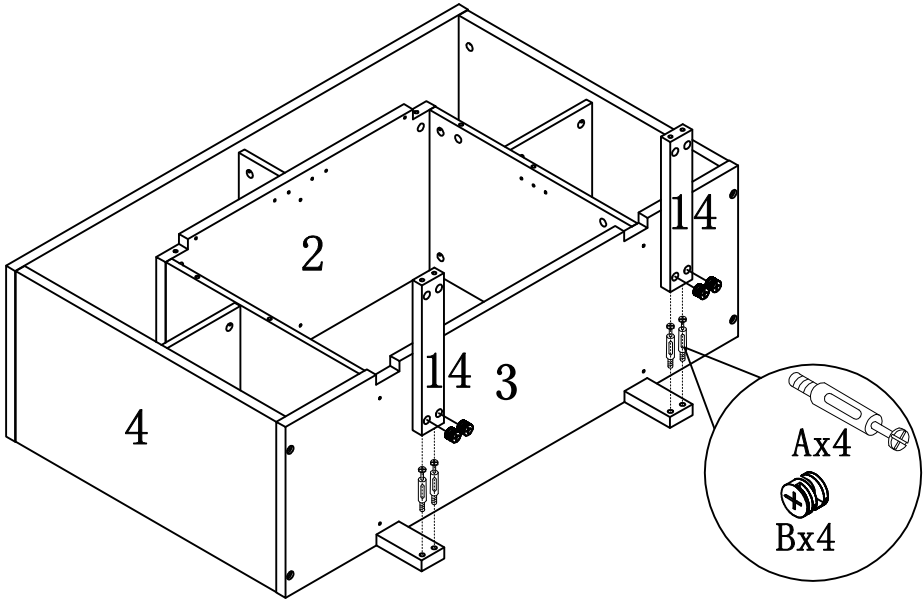


ASSEMBLY INSTRUCTION

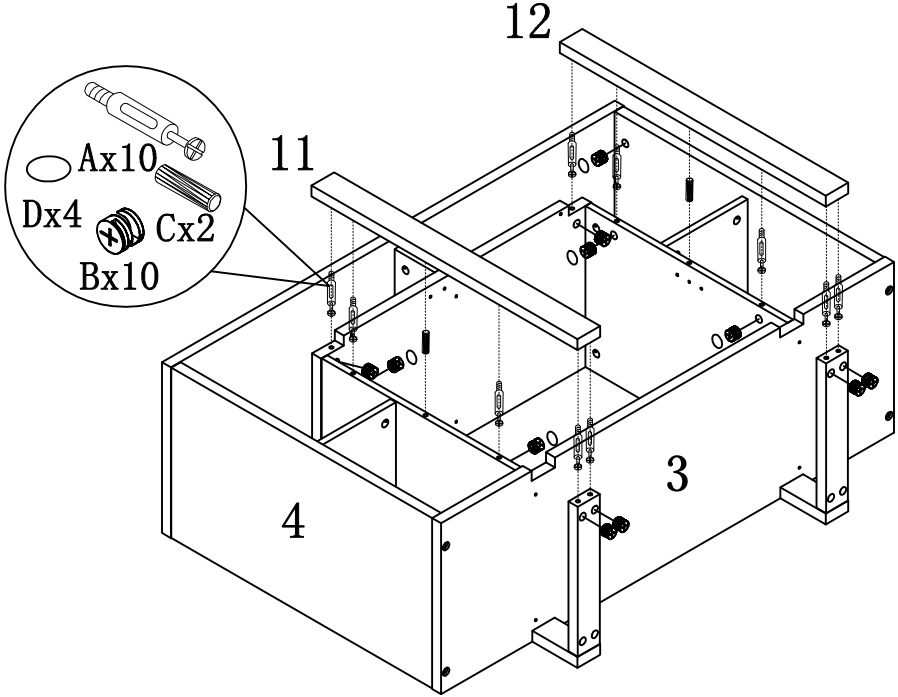


STEP9

STEP10

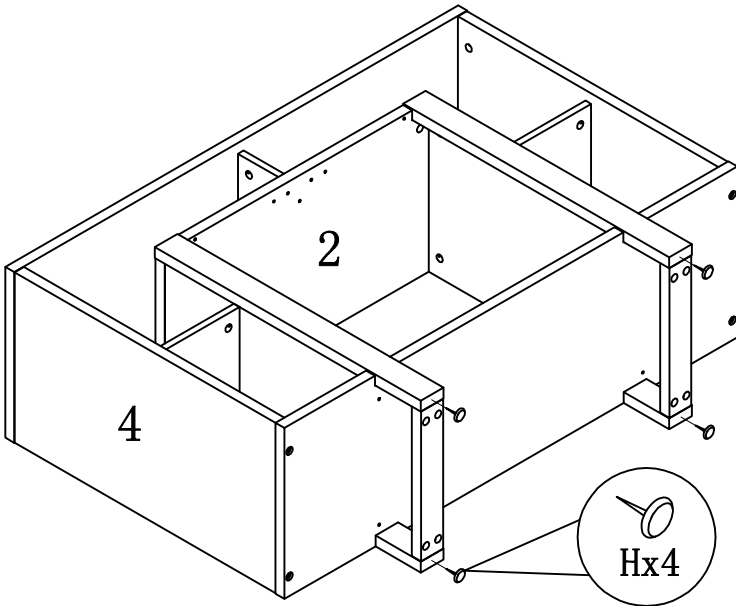


ASSEMBLY INSTRUCTION

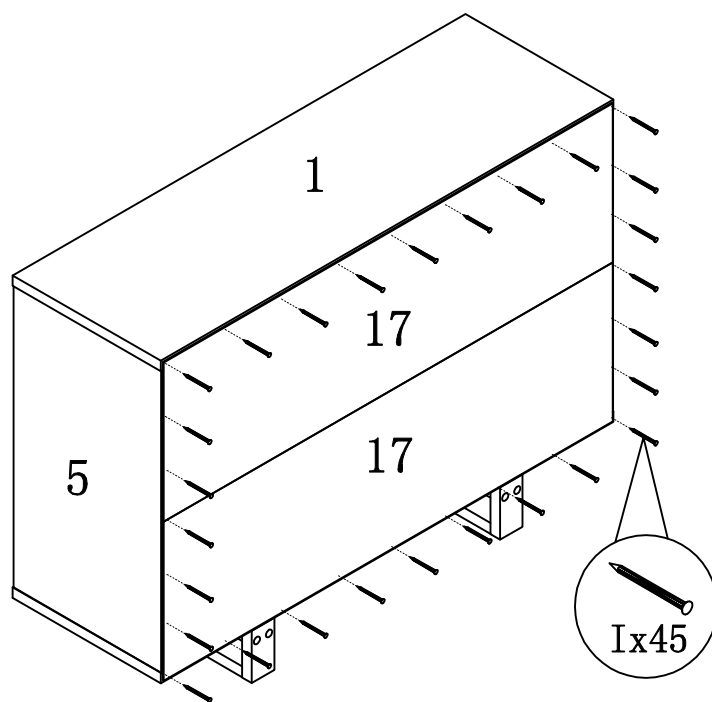


STEP11

STEP12

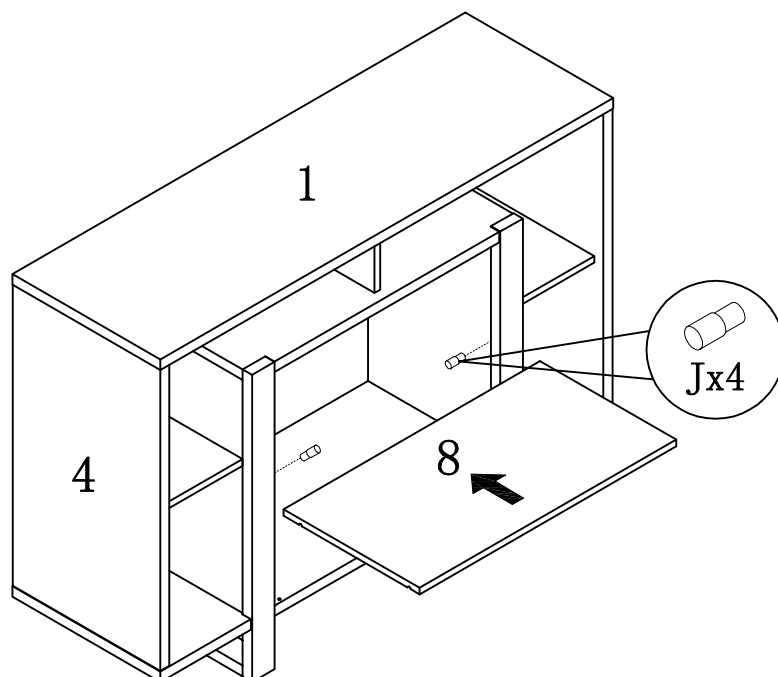


ASSEMBLY INSTRUCTION

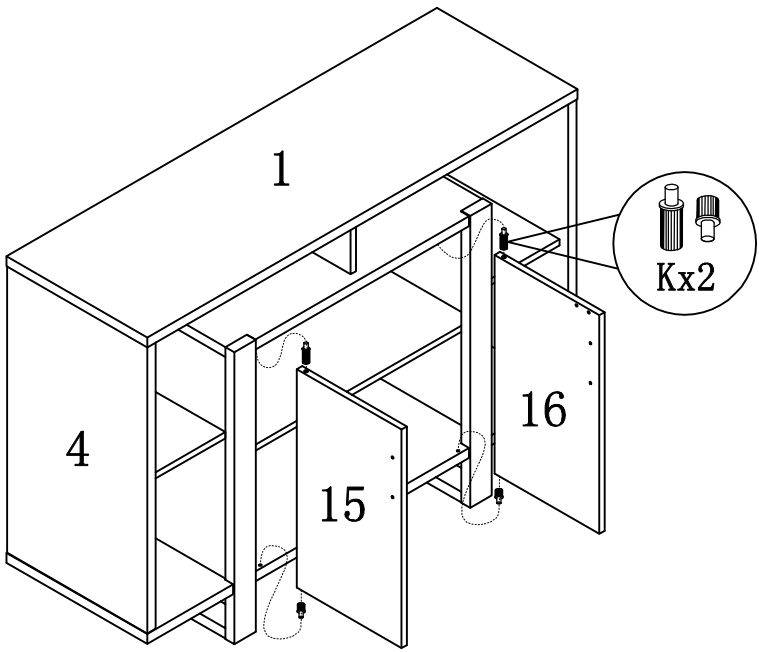


STEP 13

STEP 14

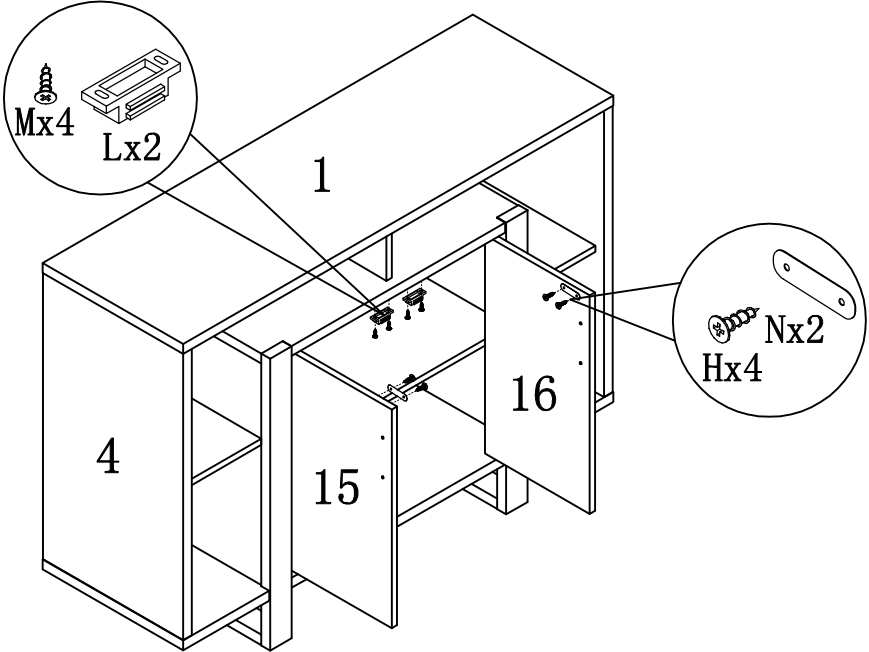


ASSEMBLY INSTRUCTION

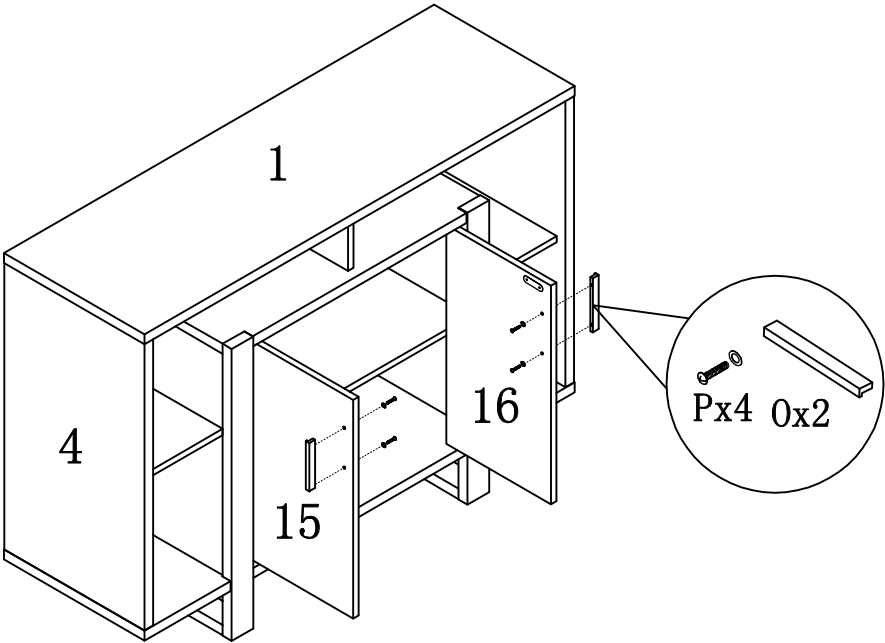


STEP 15

STEP 16

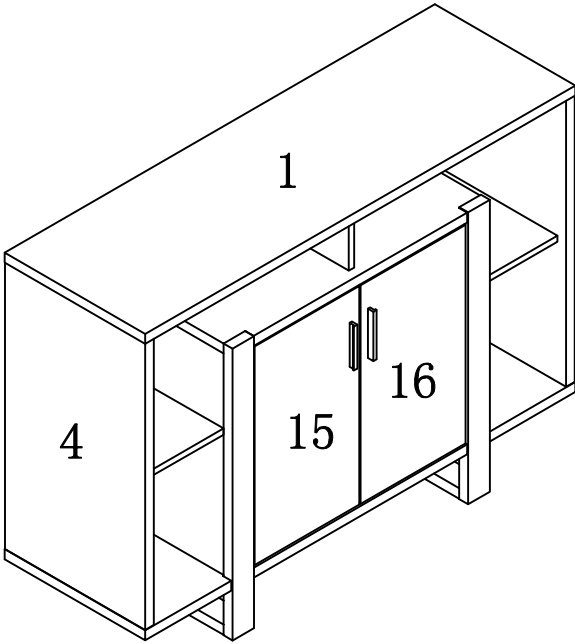


ASSEMBLY INSTRUCTION



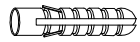
STEP17

STEP18

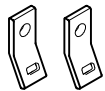


ANTI-TIPPING STRAP INSTRUCTION

HARDWARE (INCLUDED) :



DRYWALL ANCHOR $\phi 8 \times 40$ X 1PC



METAL BRACKETS $12 \times 12 \times 1$ X 2PCS



DRYWALL SCREW $\phi 5 \times 40$ X 1PC

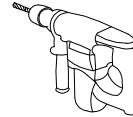


STRAP $197 \times 5 \times 1$ X 1PC



FLATHEAD SCREW $\phi 4 \times 25$ X 1PC

TOOLS NEEDED (NOT INCLUDED) :



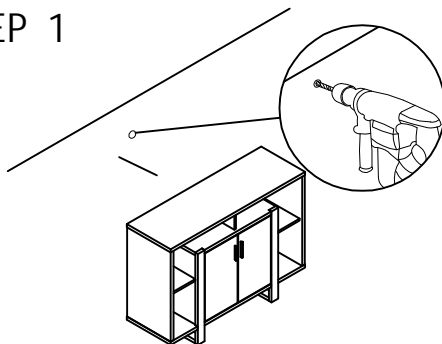
DRILL & DRILL BIT



LIGHT HAMMER

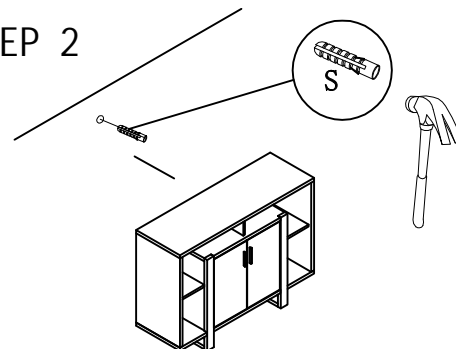
Note: Hardware included only compatible with standard drywalls.

STEP 1



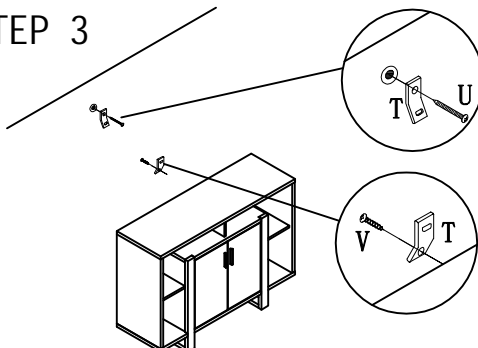
1. Find spot on wall 1" below top of item.
2. Using a drill bit slightly thinner than anchor, drill hole into drywall.

STEP 2



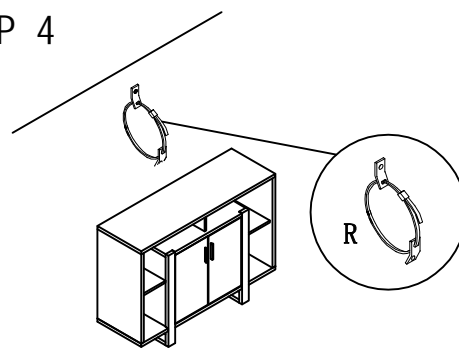
1. Use a light hammer to tap anchor into hole.
2. Anchor should fit snugly. If hole is too small, drill again to increase hole size. Do not force anchor into wall.

STEP 3



1. Insert drywall screw into metal bracket and into drywall anchor.
2. Insert flathead screw into second metal bracket and into back of item along top edge.

STEP 4



1. Insert strap thru bracket attached to wall, then thru bracket on item, and into head of strap.
 2. pull lightly til strap stops.
- Assembly is complete.