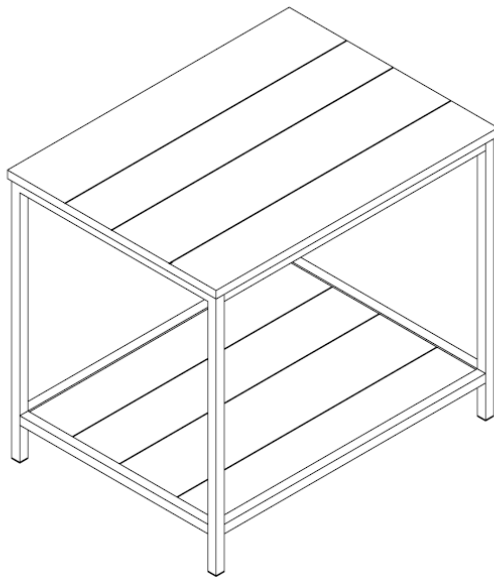
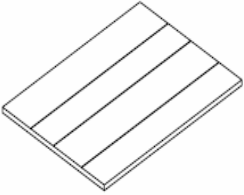
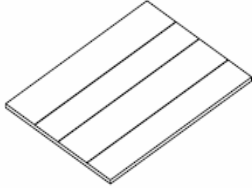
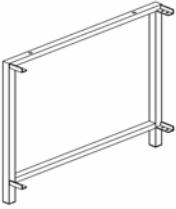




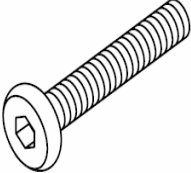

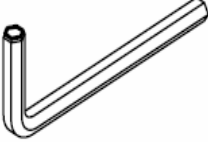
End Table



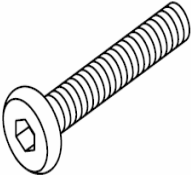

PART LIST

<p>A</p> 	<p>B</p> 	<p>C</p> 	<p>D</p> 	<p>E</p> 
<p>Wood Top 1 PC</p>	<p>Wood Shelf 1 PC</p>	<p>Side Frame 2 PCS</p>	<p>Bottom Rail 2 PCS</p>	<p>Top Rail 2 PCS</p>

HARDWARE LIST

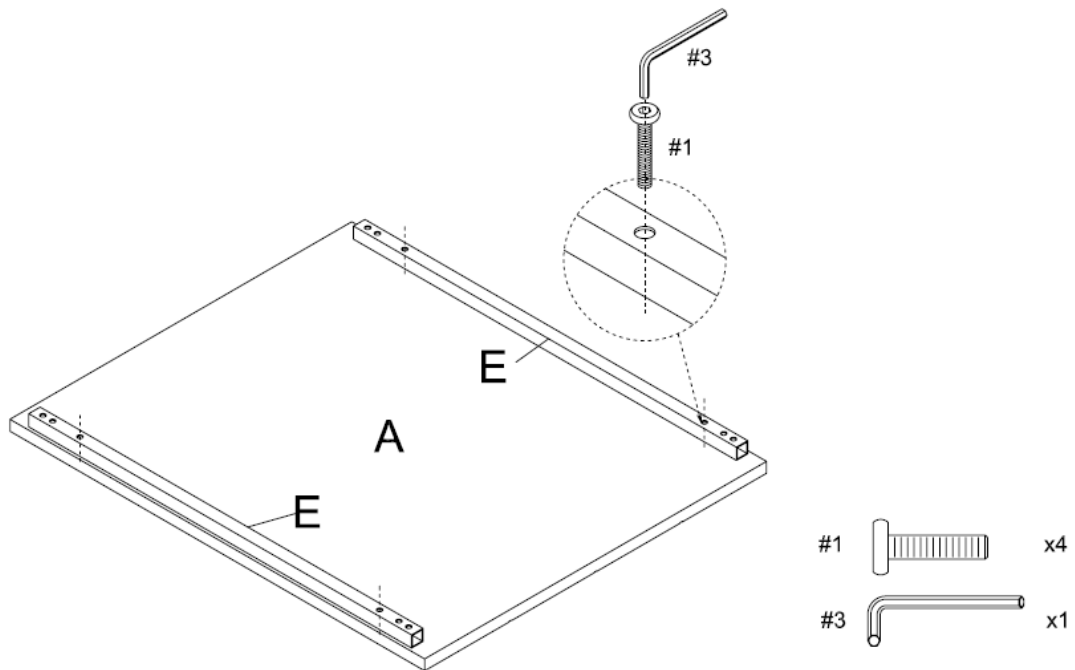
<p>#1</p>  <p>1/4" × 1-1/8"L</p>	<p>#2</p>  <p>1/4" × 1/2"L</p>	<p>#3</p> 
<p>Long Bolt 8 PCS</p>	<p>Short Bolt 20 PCS</p>	<p>Allen Key 1 PC</p>

EXTRA HARDWARE LIST

<p>#1</p>  <p>1/4" × 1-1/8"L</p>	<p>#2</p>  <p>1/4" × 1/2"L</p>
<p>Long Bolt 2 PCS</p>	<p>Short Bolt 3 PCS</p>

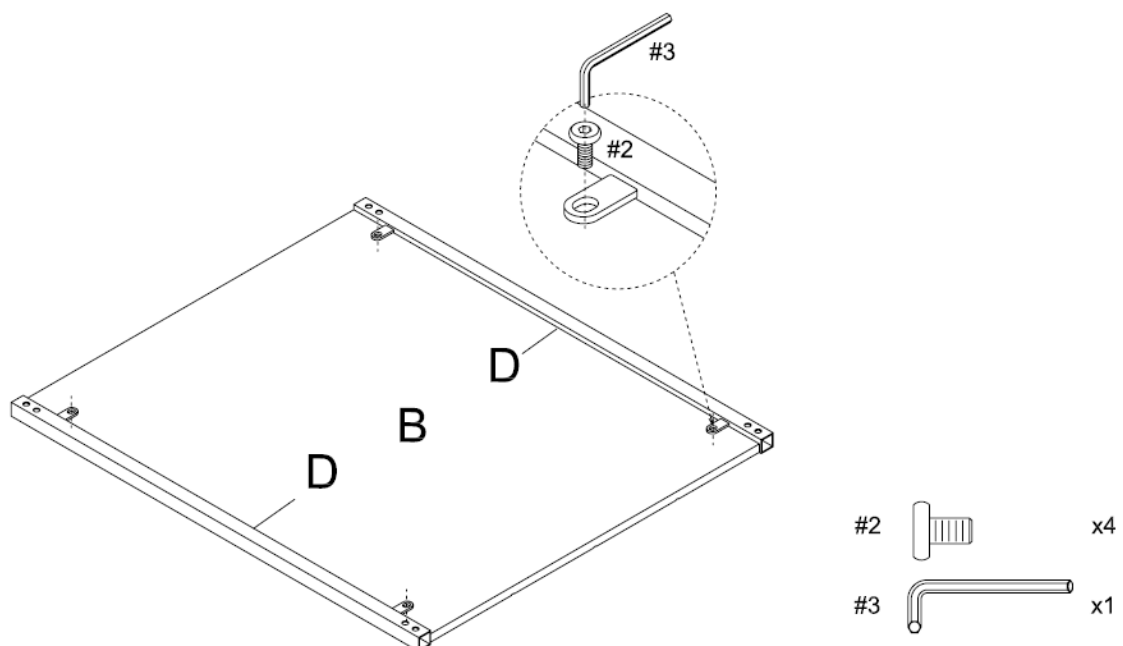
Step 1. Attach top rails (part #E) to wood top (part #A) by using long bolts (part #1) and allen key (part #3).

NOTE: Please do not fully tighten bolts until unit is fully assembled.

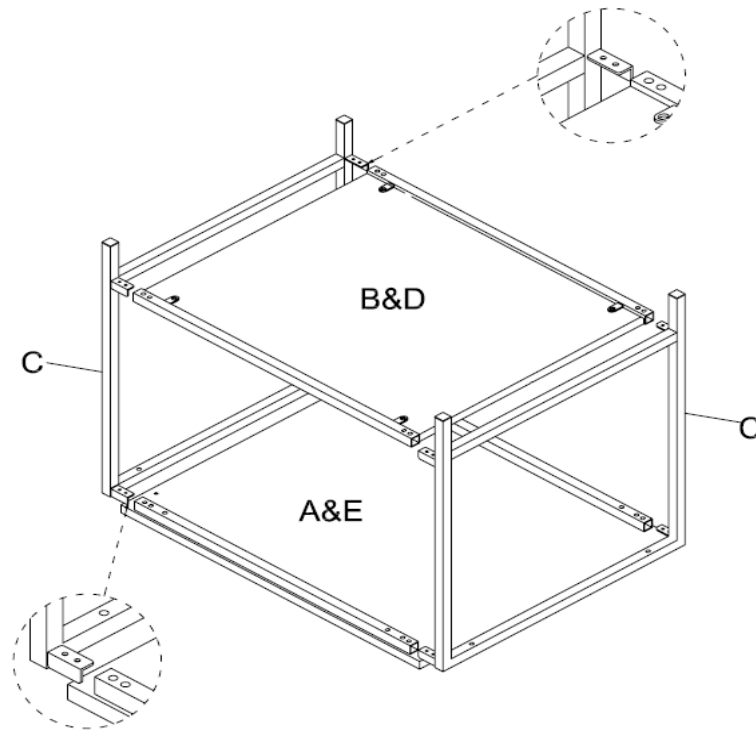


Step 2. Attach bottom rails (part #D) to wood shelf (part #B) by using short bolts (part #2) and allen key (part #3).

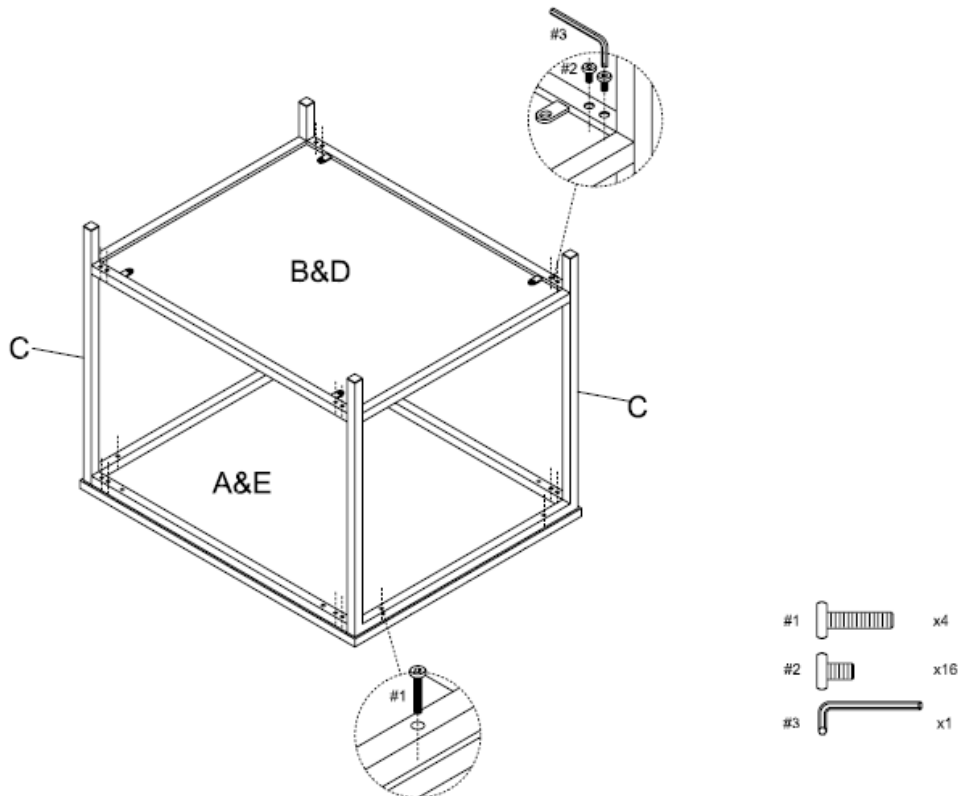
NOTE: Please do not fully tighten bolts until unit is fully assembled.



Step 3. Slide side frames (part #C) into assembled parts (parts #A&E) and assembled parts (parts #B&D) by inserting the L-shaped brackets into the ends of the bottom rails (part #D) and the top rails (part #E) on both sides.



Step 4. Attach side frames (part #C) to assembled parts (parts #A&E) and assembled parts (parts #B&D) by using short bolts (part #2) and allen key (part #3) where the L-shaped brackets are inside the ends of the bottom rails (part #D) and the top rails (part #E). Secure assembled parts (parts #A&E) to side frames (part #C) with long bolts (part #1) and allen key (part #3).



Step 5. Carefully turn the table upright

