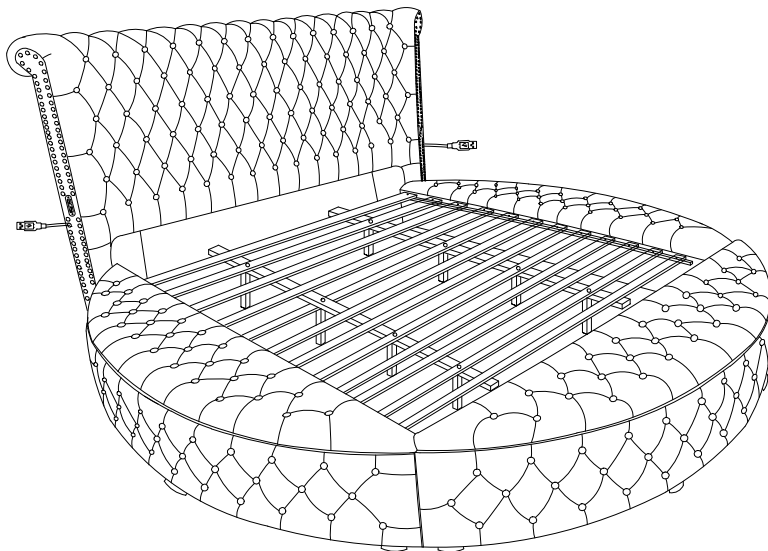


ASSEMBLY INSTRUCTIONS



TOOLS REQUIRED



Allen Wrench

(Included)



Phillips
Screwdriver

(Not Included)



2 - People
Recommended

ASSEMBLY RATING



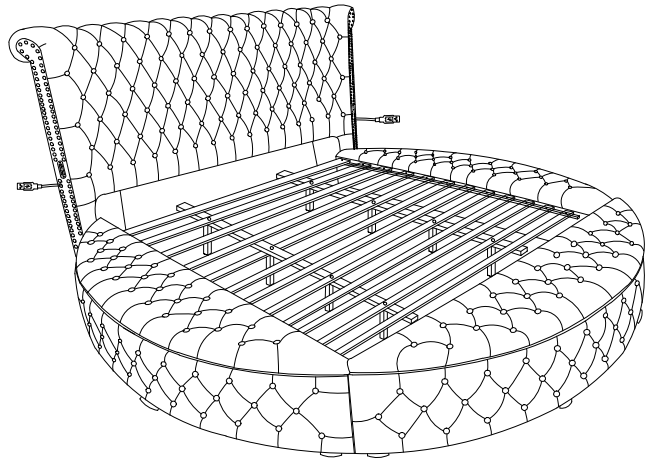
EASY —————> DIFFICULT

The Assembly Rating is a 5-point system showing the level of effort needed to assemble a specific product.

BED

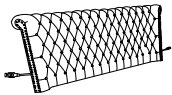


- Please keep instructions for future reference.
- Check the quantity and irregularity of parts and hardware before you start.



PARTS

#1 1pc



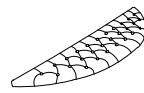
Headboard

#2 2pcs



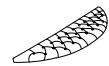
HB Leg
(L/R)

#3 2pcs



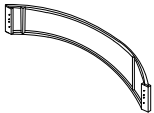
Side Rail
Top Panel

#4 1pc



Footboard
Top Panel

#5 2pcs



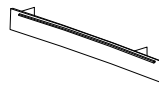
Side Rail With
Fabric

#6 9pcs



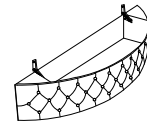
Plastic Feet

#7 2set



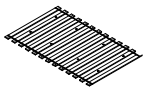
Side Rail

#8 1pc



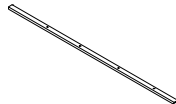
Footboard

#9 1set



Slat (13pcs)

#10 2pcs



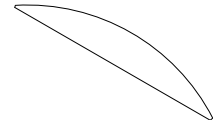
Support Rail

#11 8pcs



Support Leg

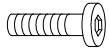
#12 2pcs



Side Rail Botom
Panel

HARDWARE

#A 12pcs



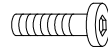
Bolt
Ø5/16" x 1-3/4"

#B 8pcs



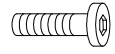
Threaded Stud
Ø5/16" x 3-1/4"

#C 12pcs



Bolt
Ø5/16" x 3/4"

#D 20pcs



Bolt
Ø1/4" x 5/8"

#E 32pcs



Lock Washer
Ø5/16"

#F 16pcs



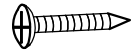
Flat Washer
Ø5/16" x 19mm

#G 16pcs



Flat Washer
Ø5/16" x 22mm

#H 44pcs



Screw
#8 x 38mm

#I 1pc



Allen Wrench 5mm

#J 1pc



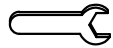
Allen Wrench 4mm

#K 8pcs



Hex Nut Ø5/16"

#L 1pc



Wrench 12mm

#M 2pcs



Wood tenon
Ø10x 40mm

#N 20pcs



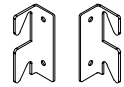
Lock Washer Ø1/4"

#O 20pcs



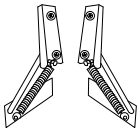
Flat Washer
Ø1/4" x 16mm

#P 2set



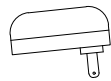
Connection Strap

#Q 2sets



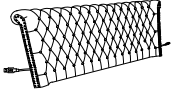
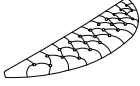
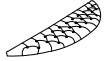
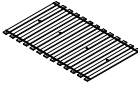
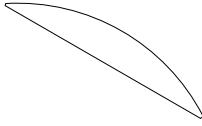
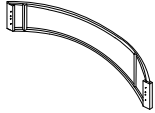







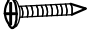



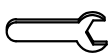




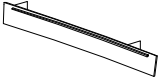
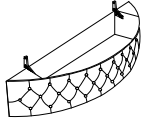
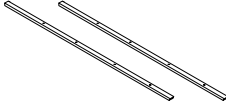
Hinges

#R 2pcs

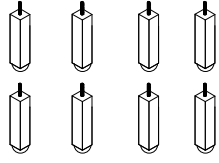


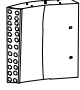



Power

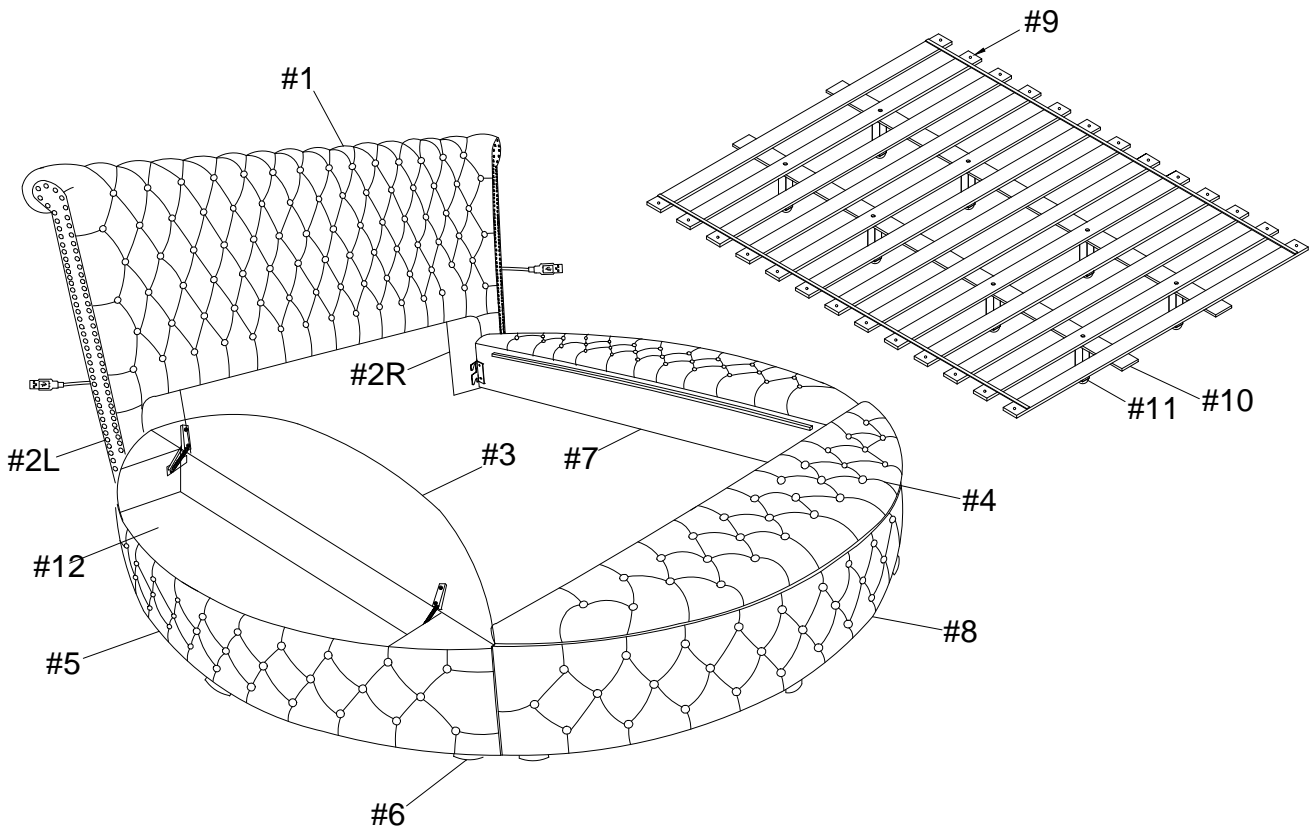
packed in 2 cases

| Carton | Disignation | Part | | Hardware |
|--------|-----------------------|------|--|--|
| 1 | Headboard | #1 |  | |
| | Side Rail Top Panel | #3 |  | |
| | Footboard Top Panel | #4 |  | |
| | Slat (13pcs) | #9 |  | |
| | Side Rail Botom Panel | #12 |  | |
| 2 | Side Rail With Fabric | #5 |  |  #A x 12pcs  #B x 8pcs  #C x 12pcs  #D x 20pcs  #E x 32pcs  #F x 16pcs  #G x 16pcs  #H x 43pcs  #I x 1pc  #J x 1pc  #K x 8pcs  #L x 1pcs  #M x 1pcs  #N x 20pcs  #O x 20pcs |
| | Plastic Feet | #6 |  | |
| | Side Rail | #7 |  | |
| | Footboard | #8 |  | |
| | Support Rail | #10 |  | |

packed in 2 cases

| Carton | Disignation | Part | | Hardware |
|--------|-------------|------|--|---|
| 2 | Support Leg | #11 |  |  #P x 2sets  #O x 1set |
| | HB Leg | #2 |  |  #R x 2pcs |

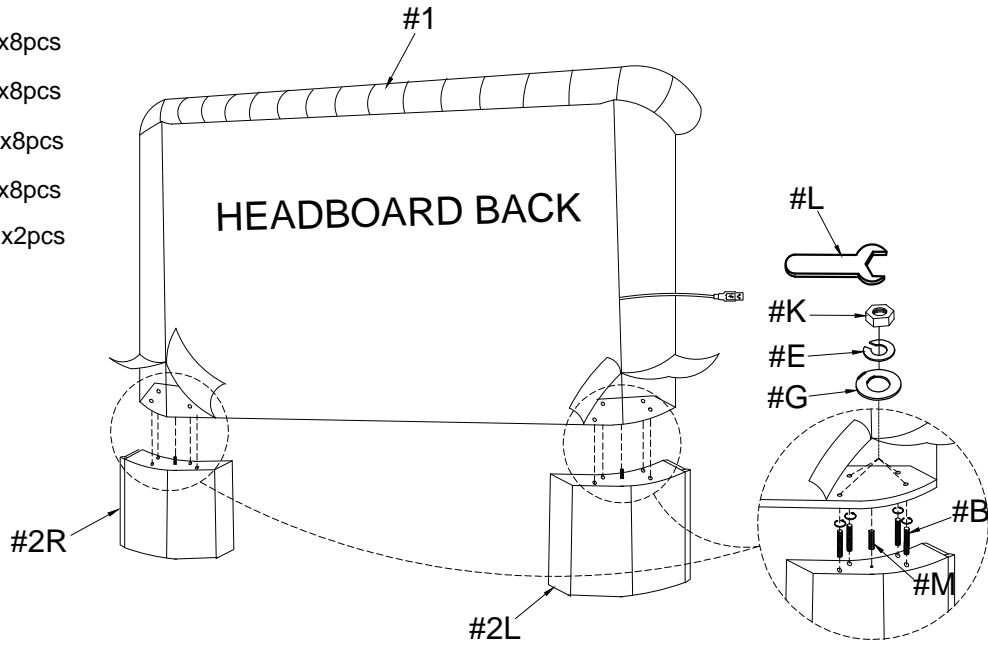
Exploded View



ASSEMBLY INSTRUCTIONS

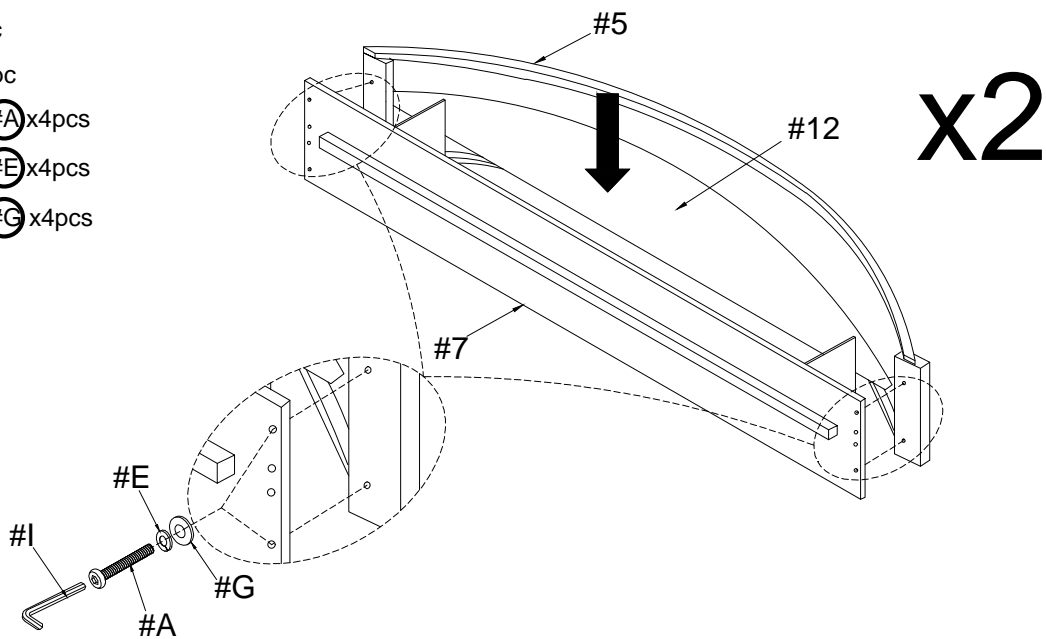
1

- Part #1 x1pc
- Part #2 x2pcs
- Hardware #B x8pcs
- Hardware #E x8pcs
- Hardware #G x8pcs
- Hardware #K x8pcs
- Hardware #M x2pcs



2

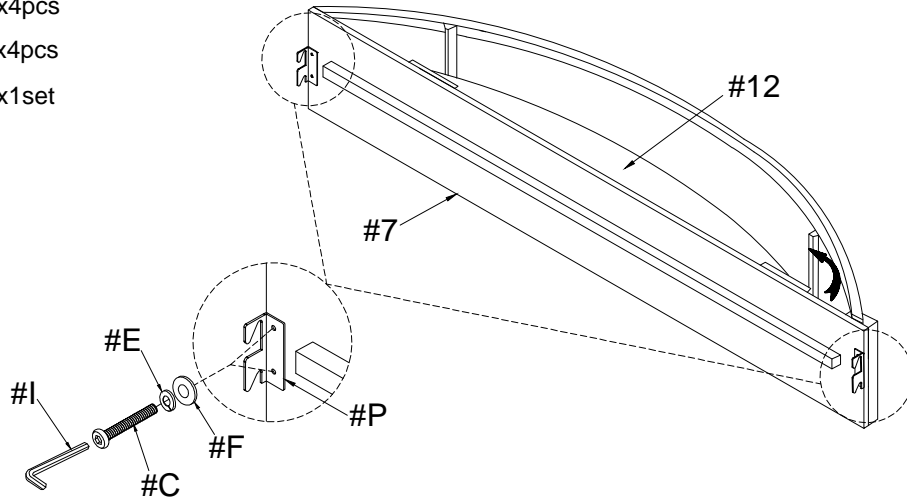
- Part #5 x1pc
- Part #7 x1pc
- Part #12 x1pc
- Hardware #A x4pcs
- Hardware #E x4pcs
- Hardware #G x4pcs



ASSEMBLY INSTRUCTIONS

3

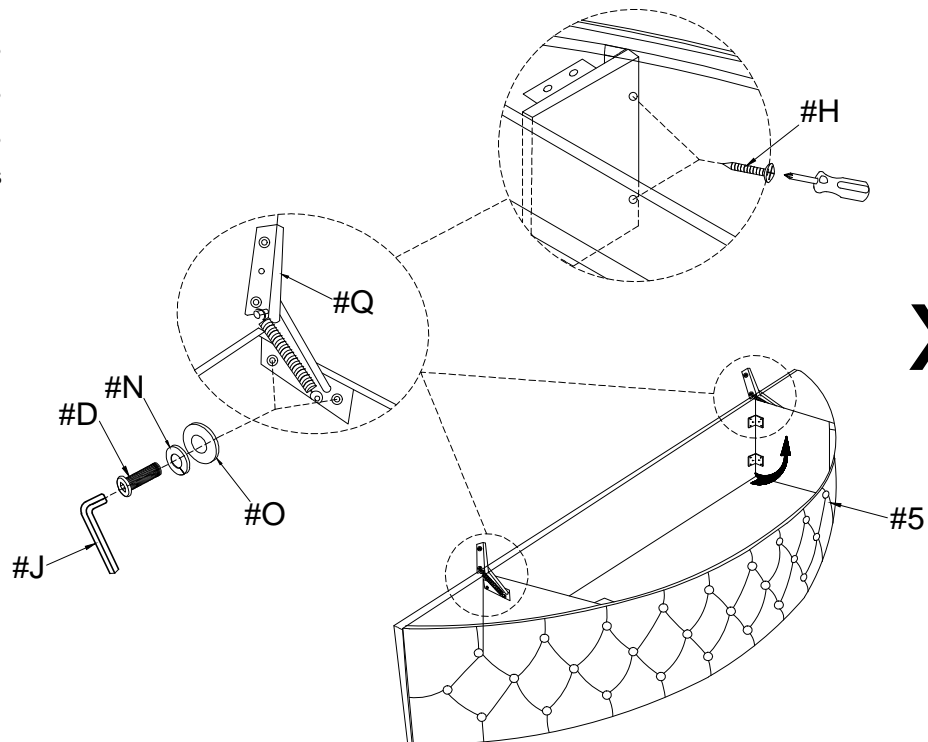
- Hardware #C x4pcs
- Hardware #E x4pcs
- Hardware #F x4pcs
- Hardware #P x1set



x2

4

- Hardware #D x4pcs
- Hardware #H x4pcs
- Hardware #N x4pcs
- Hardware #C x4pcs
- Hardware #Q x1set



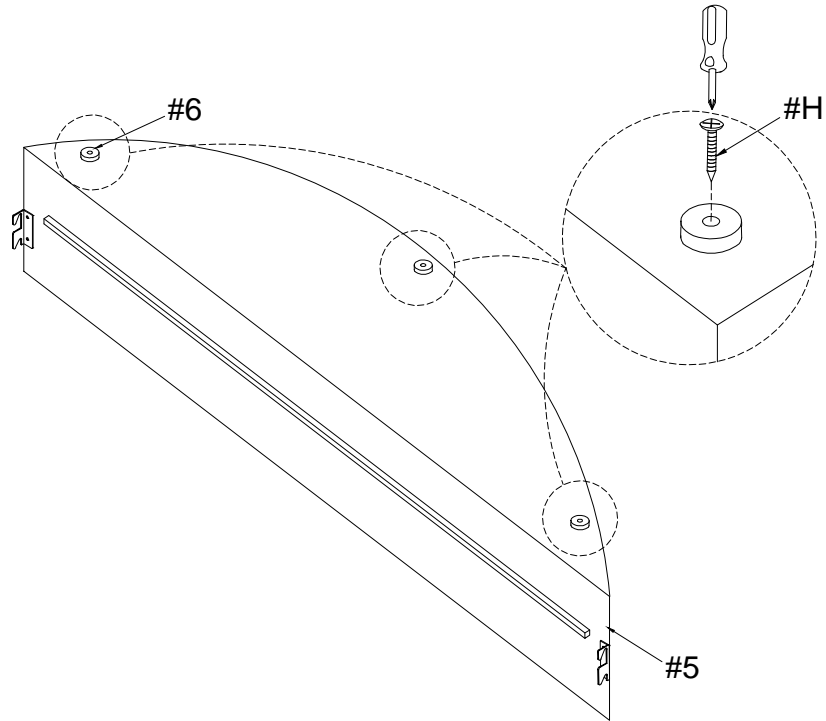
x2

ASSEMBLY INSTRUCTIONS

5

Part #6 x3pcs

Hardware #H x 3pcs

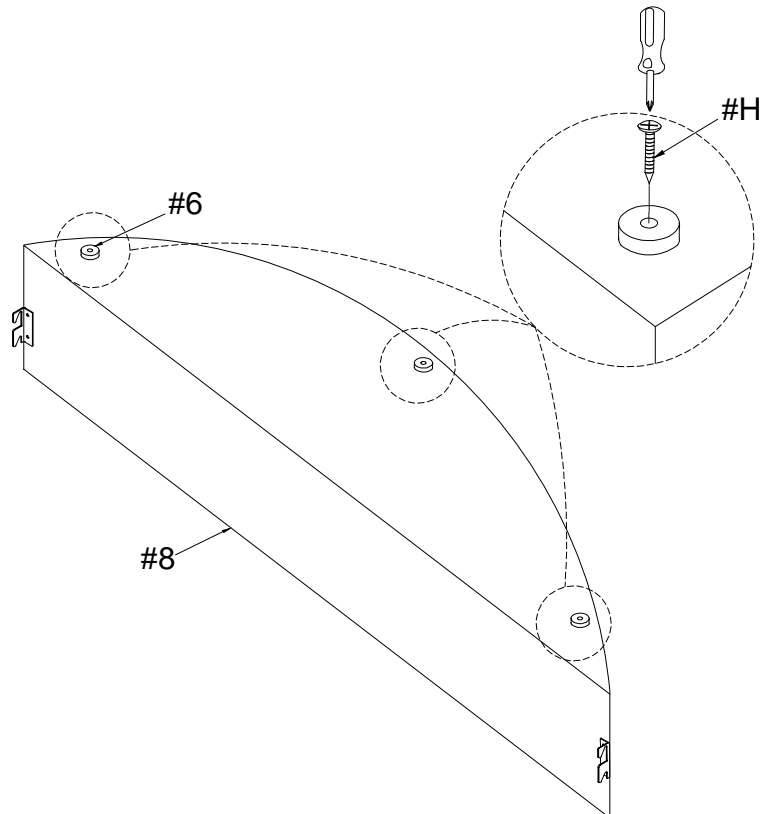


6

Part #8 x1pc

Part #6 x3pcs

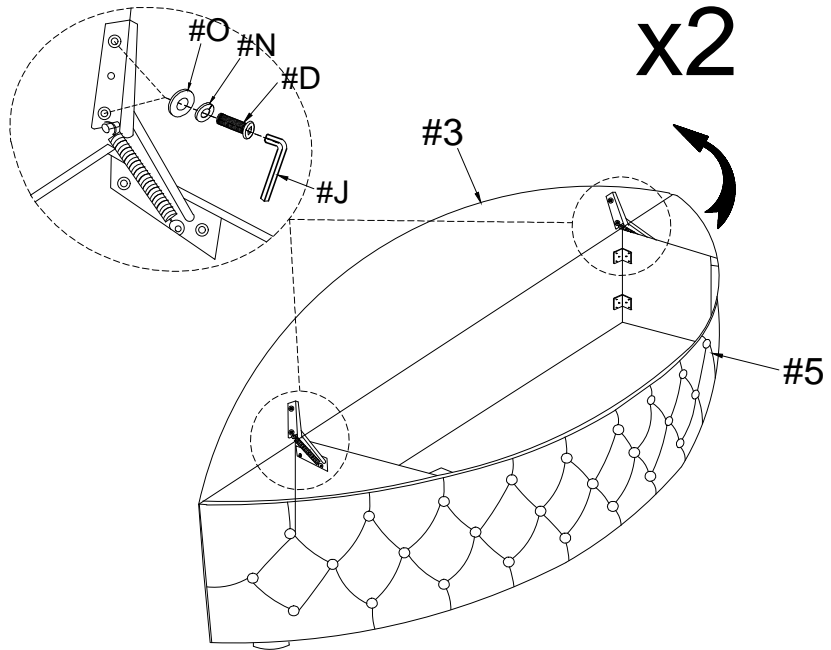
Hardware #H x3pcs



ASSEMBLY INSTRUCTIONS

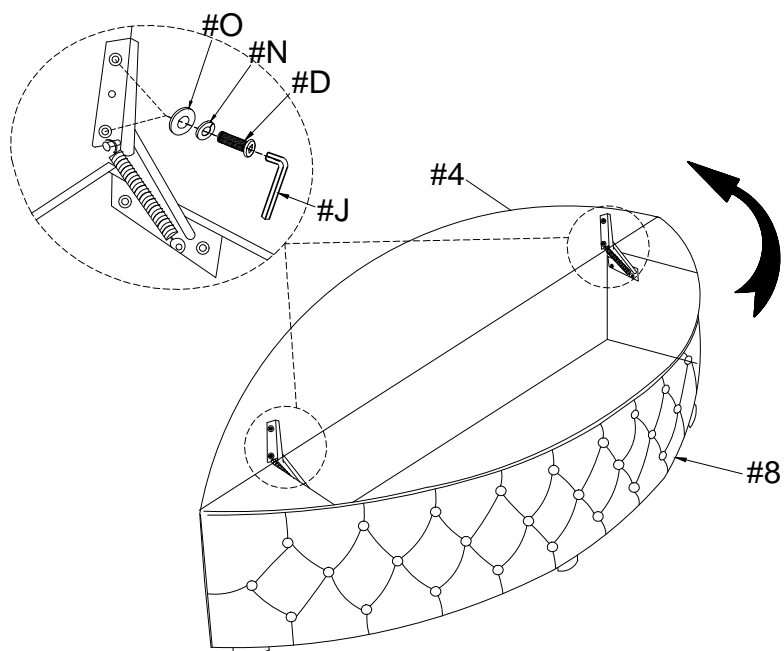
7

- Part #3 x1pc
- Hardware #D x4pcs
- Hardware #N x4pcs
- Hardware #C x4pcs



8

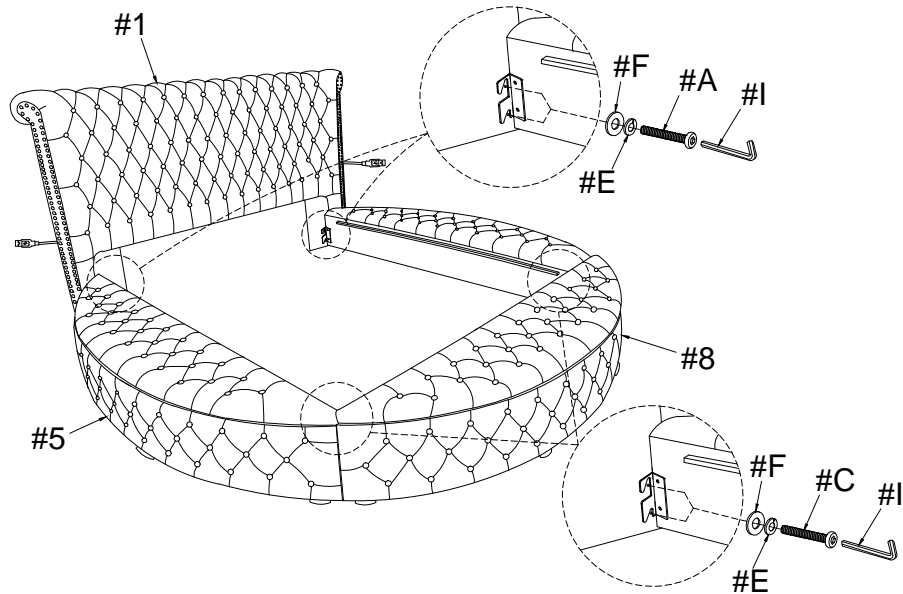
- Part #4 x1pc
- Hardware #D x4pcs
- Hardware #N x4pcs
- Hardware #C x4pcs



ASSEMBLY INSTRUCTIONS

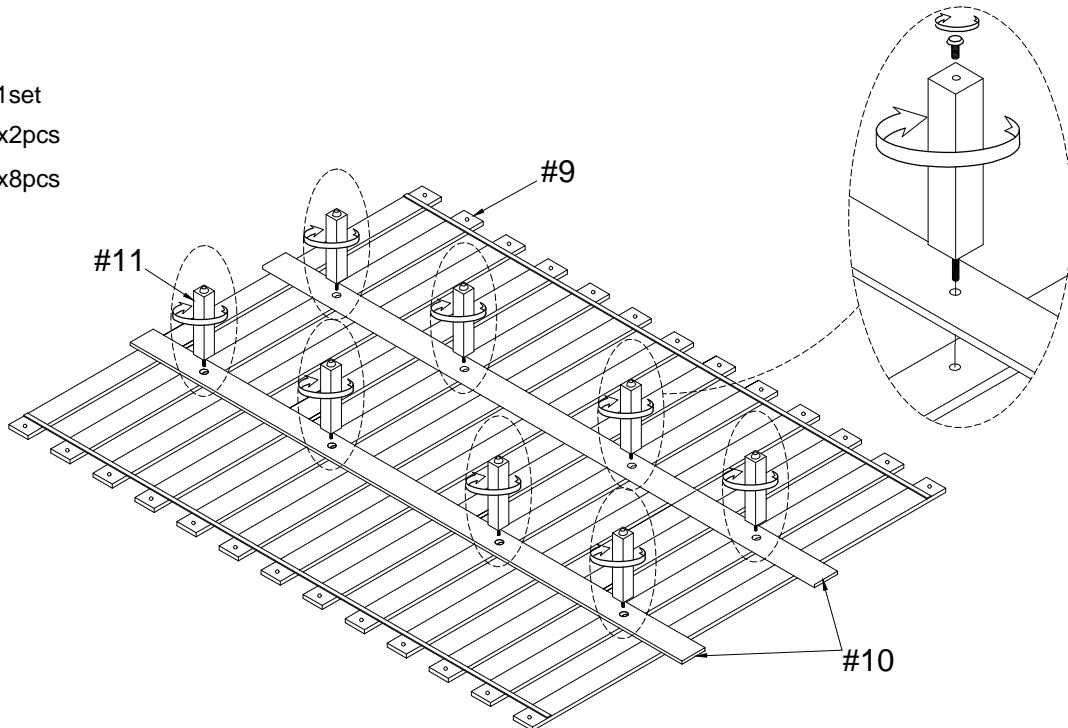
9

- Part #1 x1pc
- Hardware #A x4pcs
- Hardware #C x4pcs
- Hardware #E x8pcs
- Hardware #F x8pcs
- Hardware #P x2sets



10

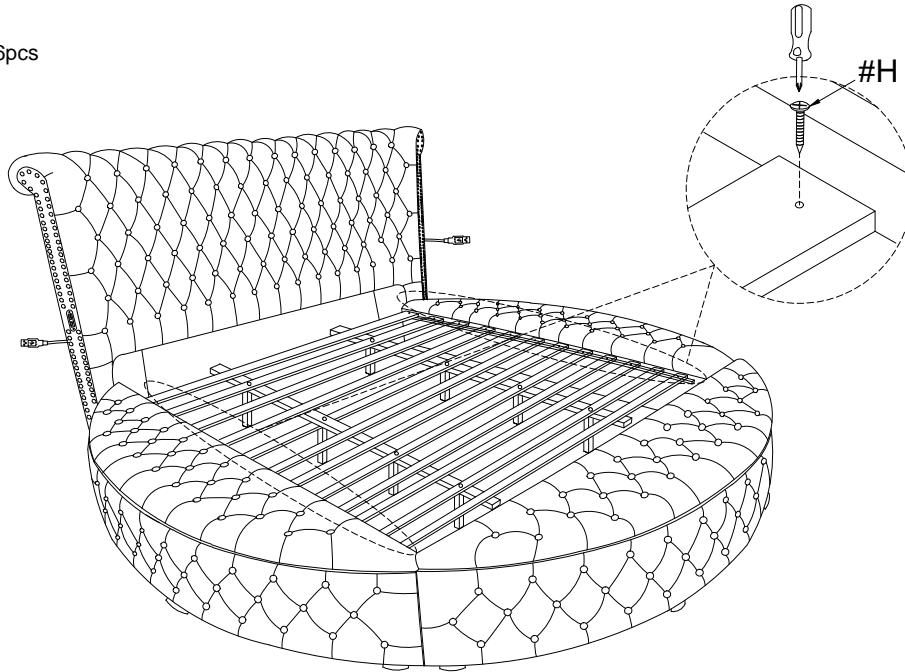
- Part #9 x1set
- Part #10 x2pcs
- Part #11 x8pcs



ASSEMBLY INSTRUCTIONS

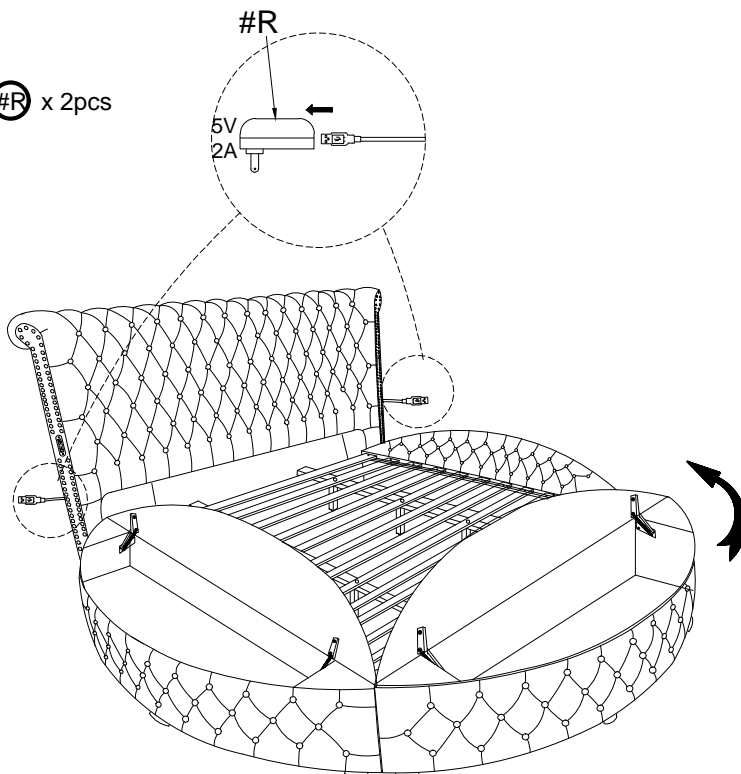
11

Hardware **#H** x 26pcs



12

Hardware **#R** x 2pcs



ASSEMBLY COMPLETED



Please ensure the furniture rests on an even and flat surface. If the product wobbles or feels loose, double-check all bolts and/or screws are properly tightened and secured.



Keep this handy!

Please retain this instruction manual and any order-related information for future reference.



Lift, don't drag!

To avoid damage to product please always LIFT the product when transporting or adjusting the placement.