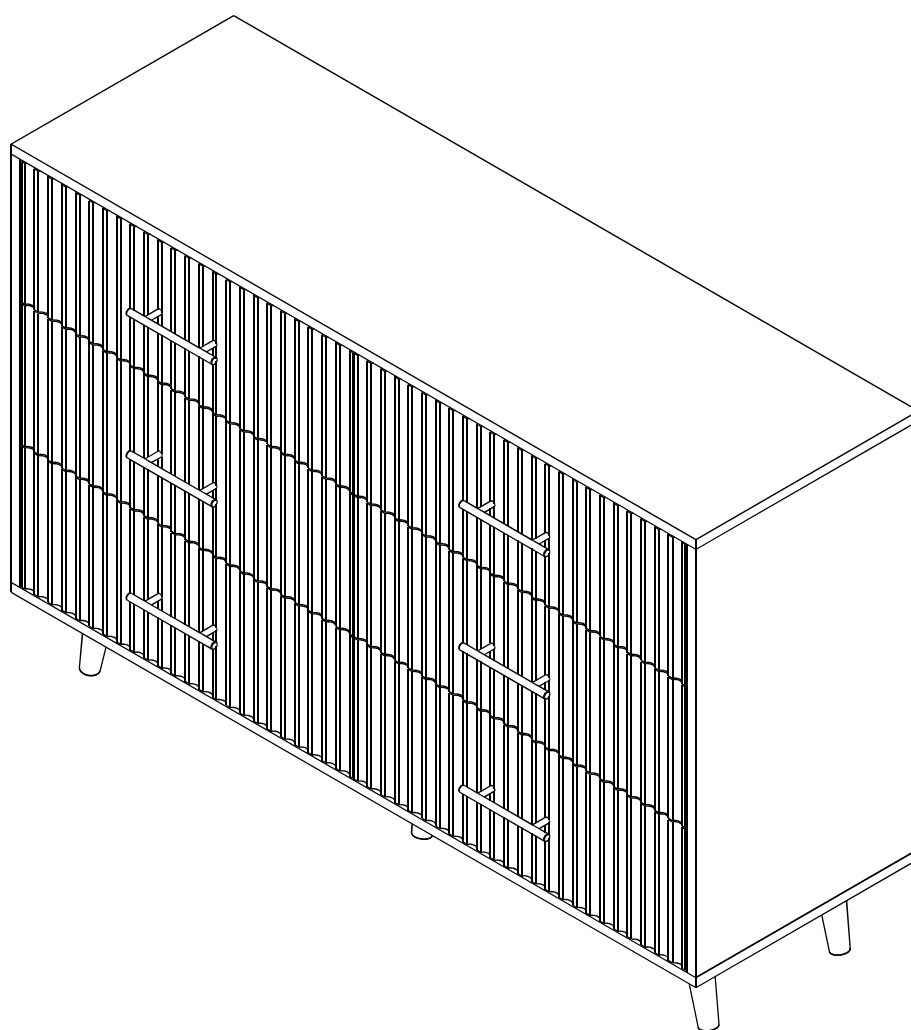


ASSEMBLY INSTRUCTION



IMPORTANT NOTICE

Workspace Safety

Keep the workspace clear of clutter and ensure it's well-lit. A clean, flat surface is essential.

Read Instructions

Read the entire assembly guide before starting. Skipping steps can compromise safety.

Use Proper Tools

Use the tools provided or recommended. Avoid overtightening screws.

Secure Furniture

Anchor tall or heavy furniture to the wall to prevent tipping. This is crucial in homes with children or pets.

Handle Small Parts

Keep small parts away from children and pets to avoid choking hazards.




Get Help

Don't hesitate to ask for help with heavy or complex pieces.

Inspect Regularly

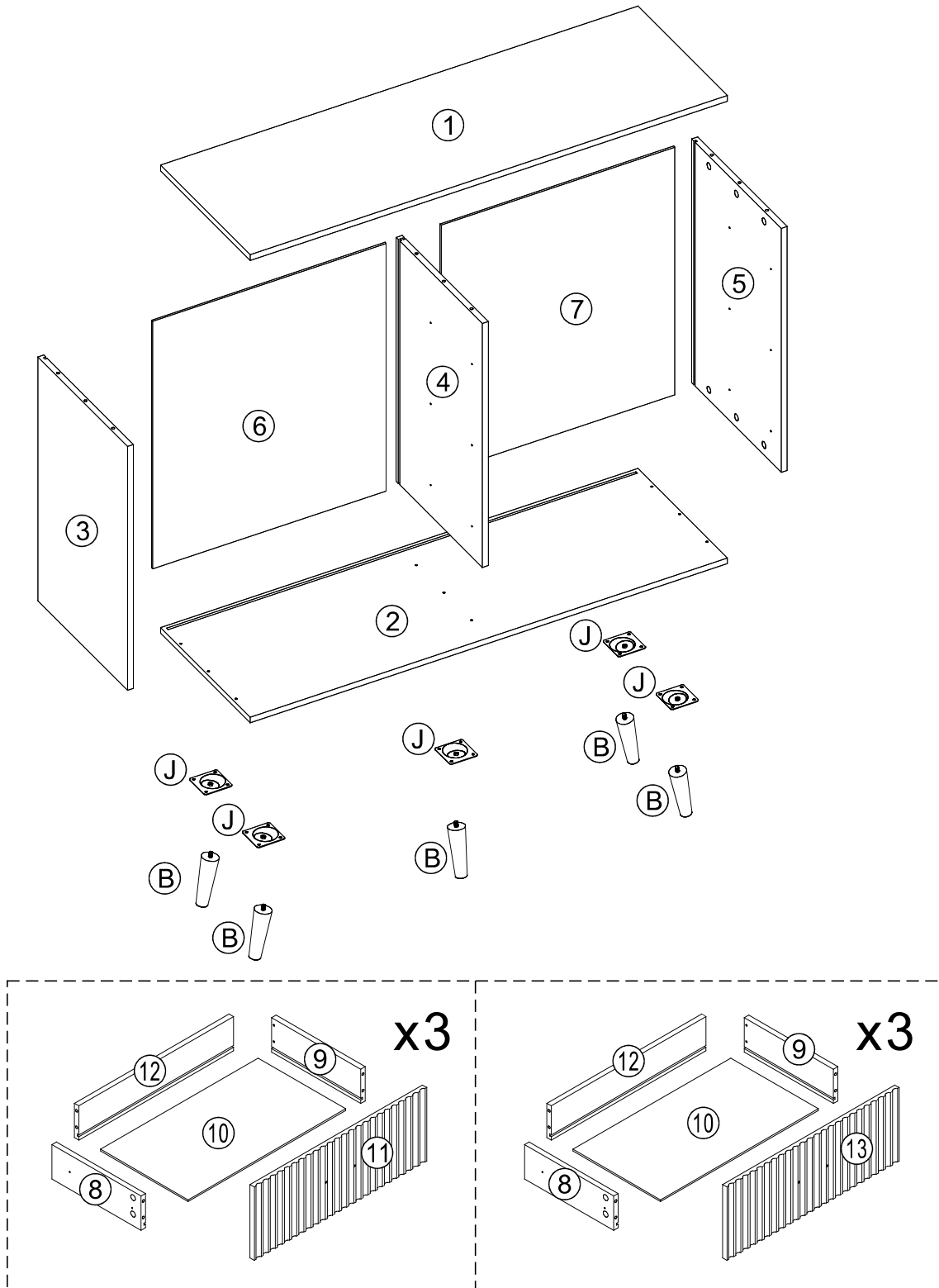
Periodically check for loose screws or wobbly parts and tighten as needed.

Follow these tips for a safe assembly process.

 WARNING	
	<p>Serious or fatal crushing injuries can occur from furniture tip-over. To help prevent tip-over:</p> <ul style="list-style-type: none">• Install tipover restraint provided.• Place heaviest items in the lowest drawers.• Do not set TV's or other heavy objects on top of this product, unless the product is specifically designed to accommodate them.• Never allow children to climb or hang on drawers, doors or shelves.• Never open more than one drawer at a time
	<p>Use of tip-over restraints may only reduce, but not eliminate, the risk of tip-over.</p> <p>This is a permanent label. Do not remove!</p>

ASSEMBLY DIAGRAM

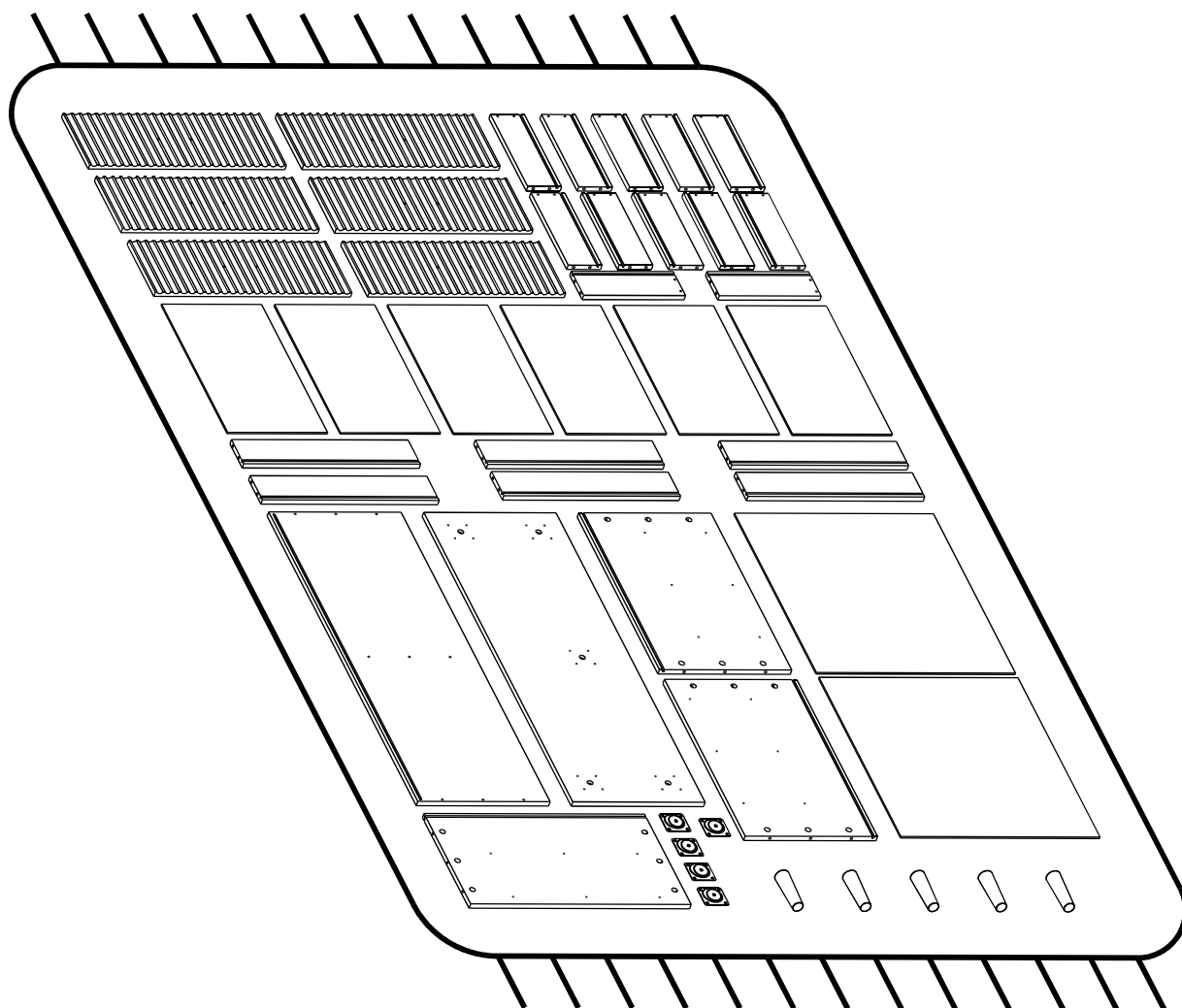
1. Refer to the exploded view below for the approximate location of each component.
2. Each part is labeled for easy identification.
3. Follow the assembly instructions carefully to ensure proper installation.




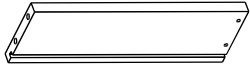
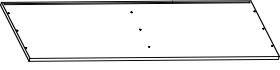
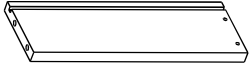



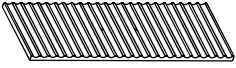


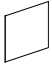

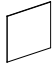


PRE-ASSEMBLY PREPARATION



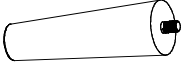

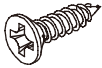

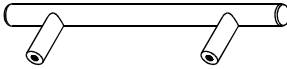

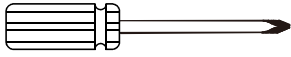

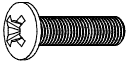
Before assembly, place all furniture parts on a soft surface, such as a blanket or the original packaging cardboard, to prevent damage to the floor or components from accidental drops and to avoid scratching the surfaces.



PARTS LIST

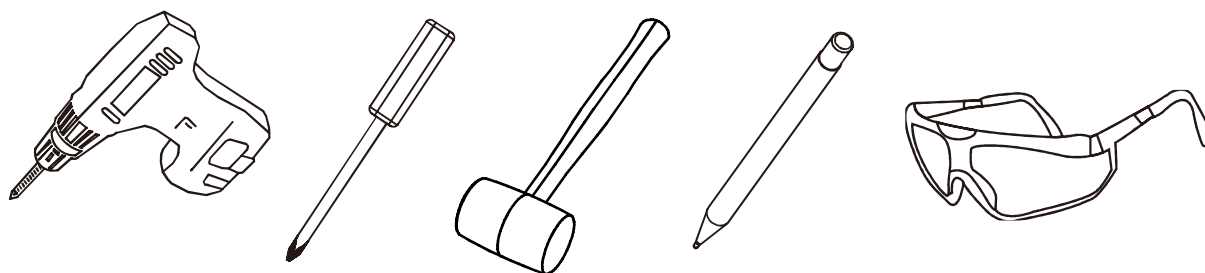
No.	Description	QTY	No.	Description	QTY
1		1	8		6
2		1	9		6
3		1	10		6
4		1	11		3
5		1	12		6
6		1	13		3
7		1			

HARDWEAR LIST

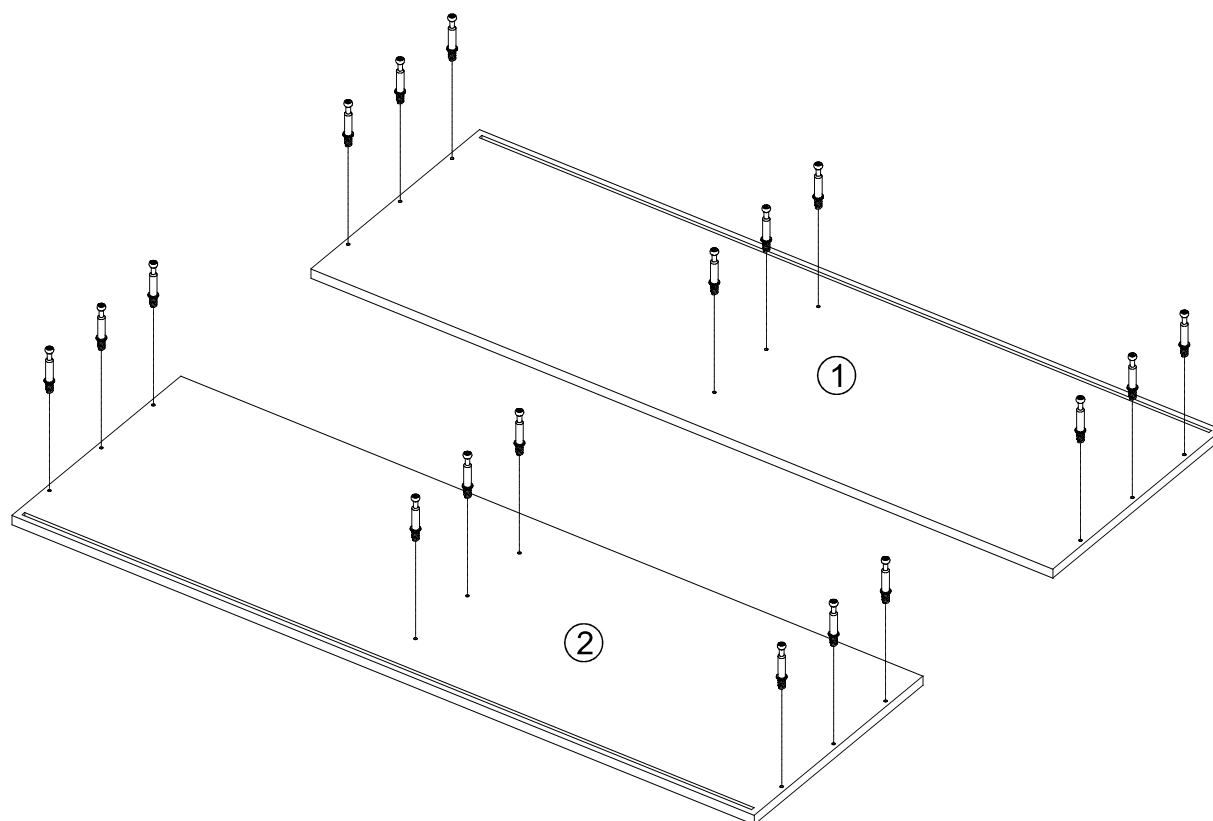
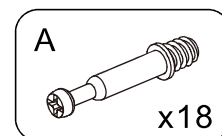
No.	Description	QTY	No.	Description	QTY
A		67	I		10
B		5	J		5
C	 ST3.5x12	80	L		2
D		6			
E		6			
F		1			
G		67			
H	 M4X25	12			

CAUTION: Please confirm the parts list before installtion

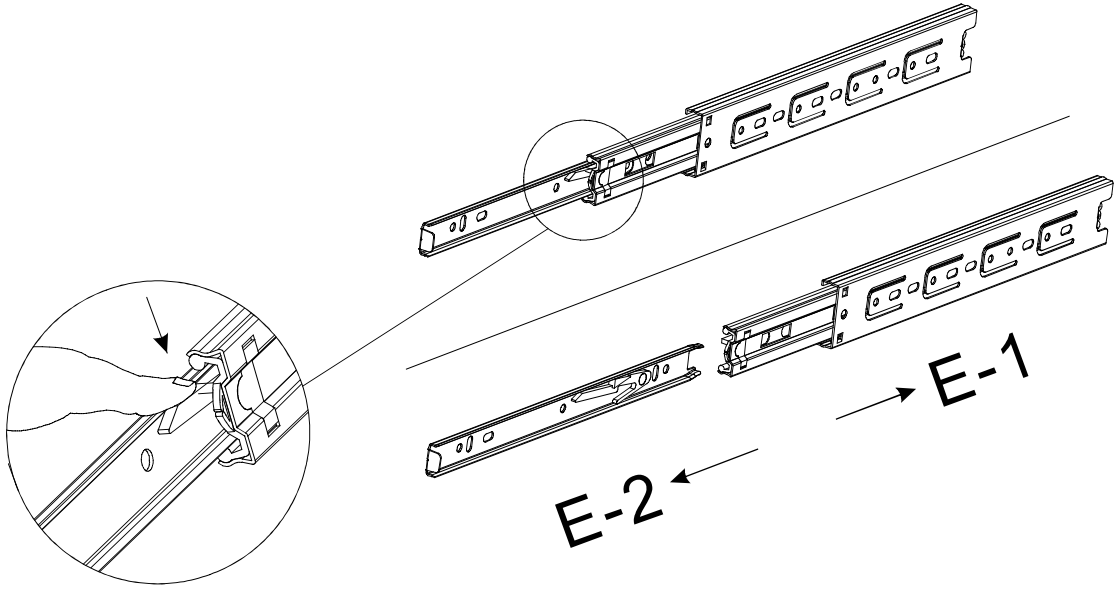
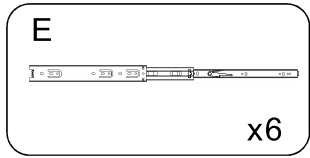
YOU MAY NEED (NOT SUPPLIED)



1

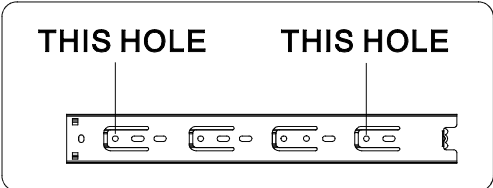
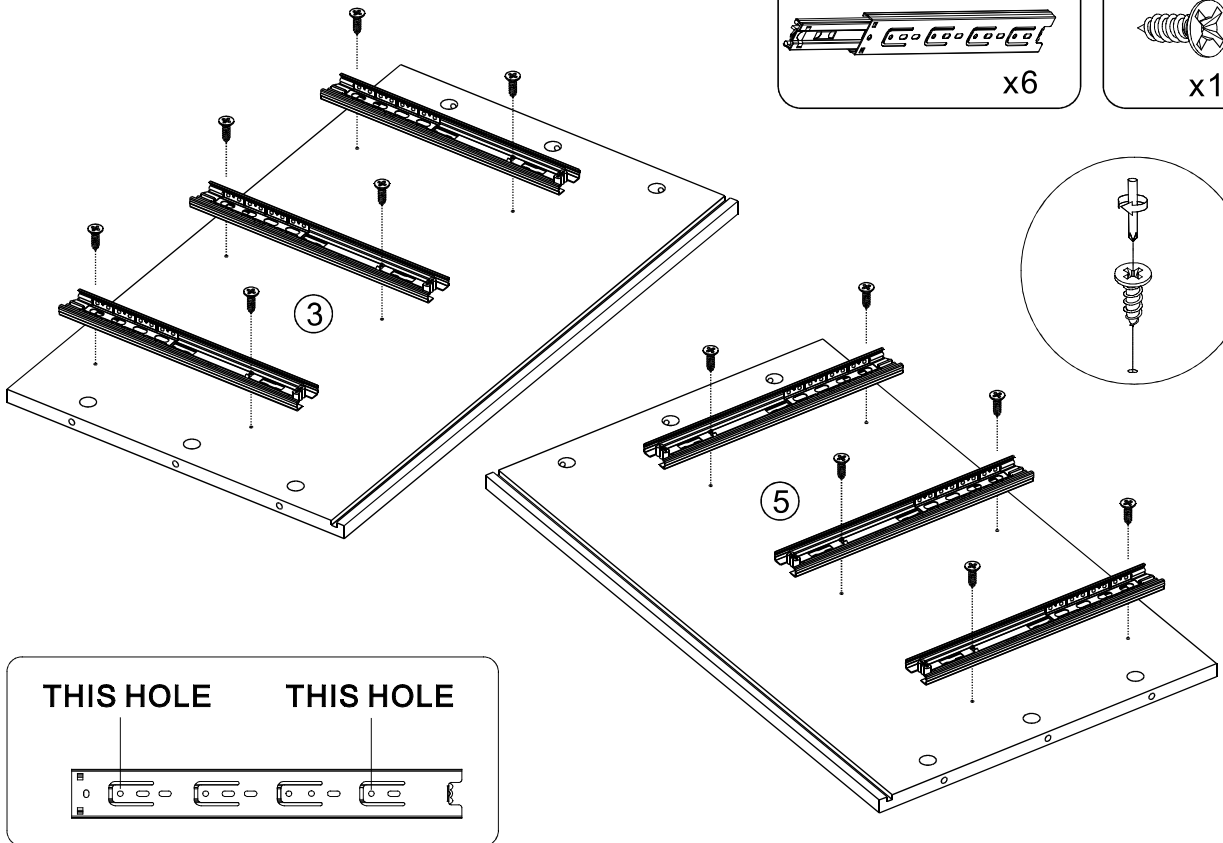
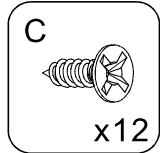
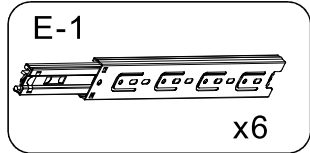


2

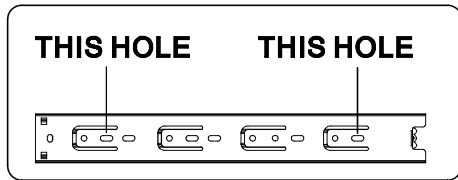
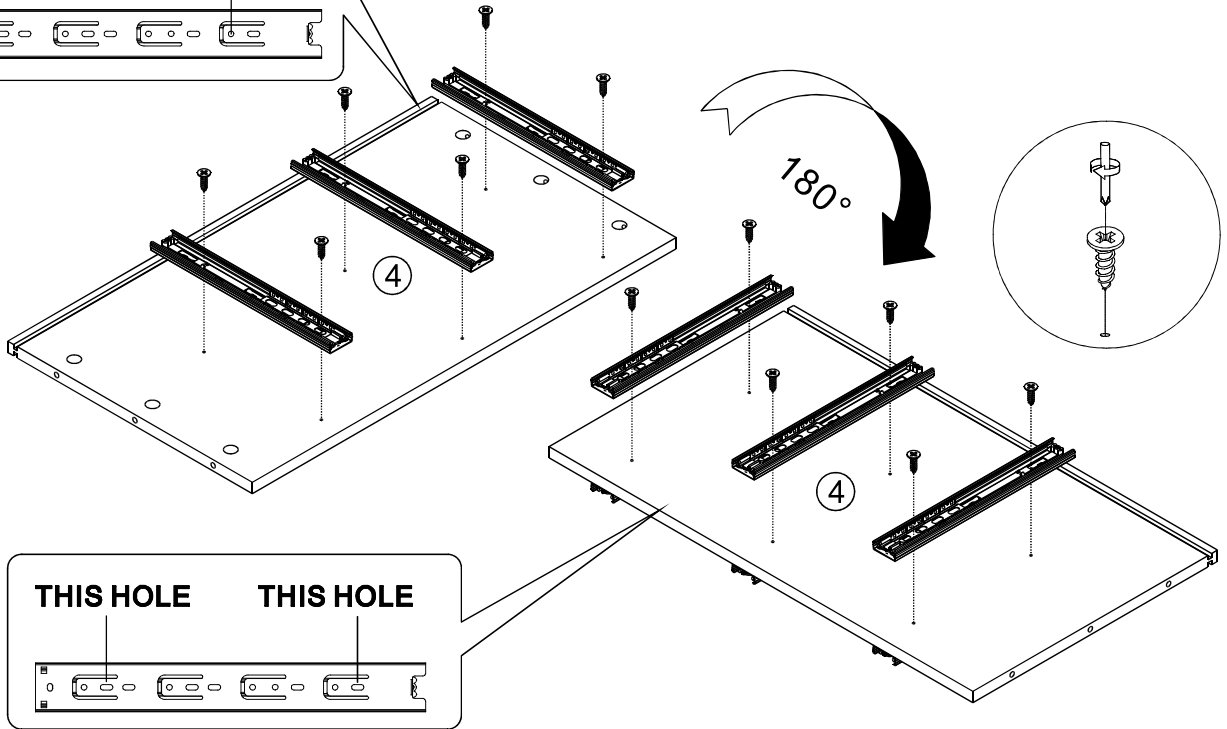
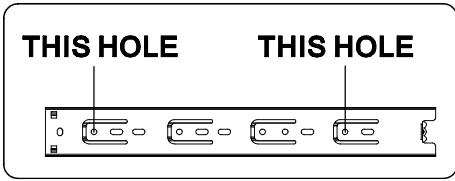
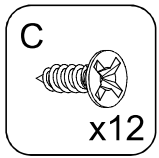
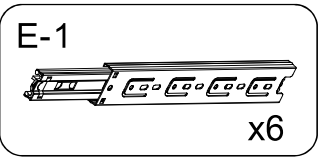


• Press the button and extend the slide slowly. Then separate it with the release latch. Repeat these steps for the other slides.

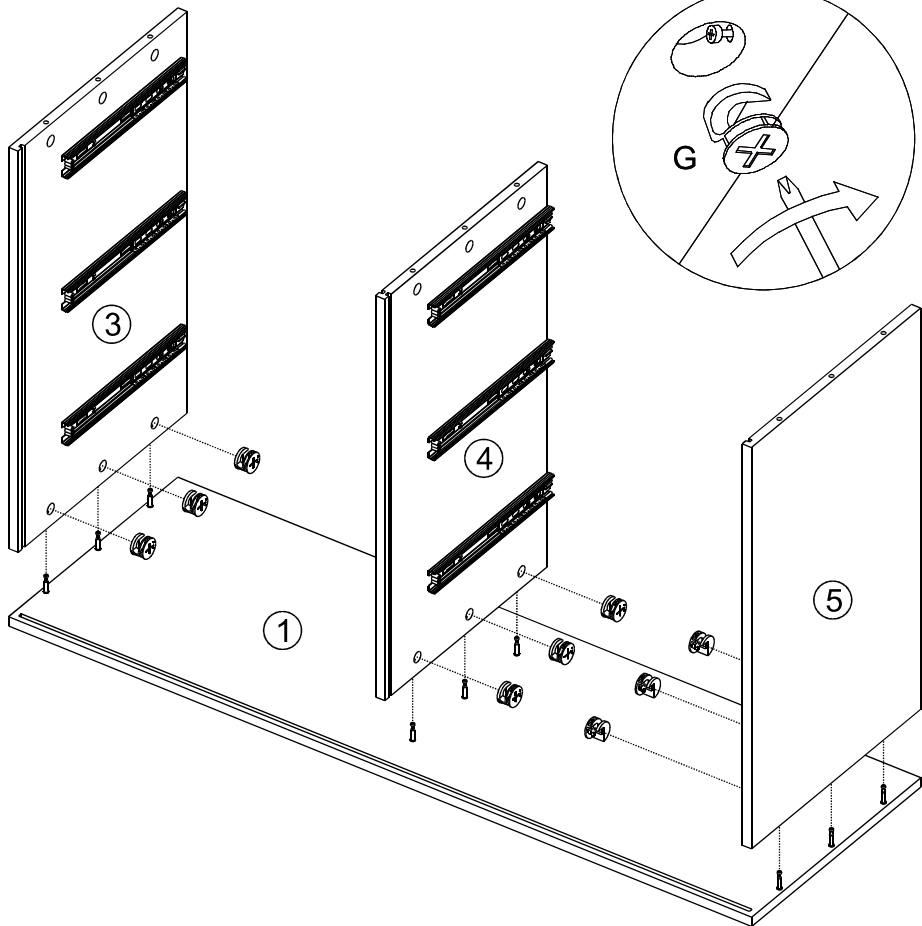
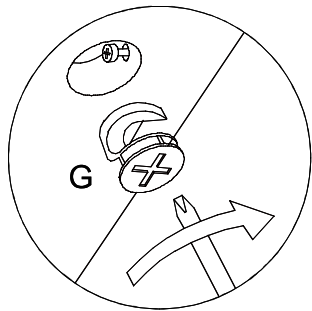
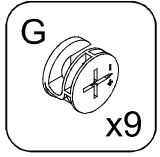
3



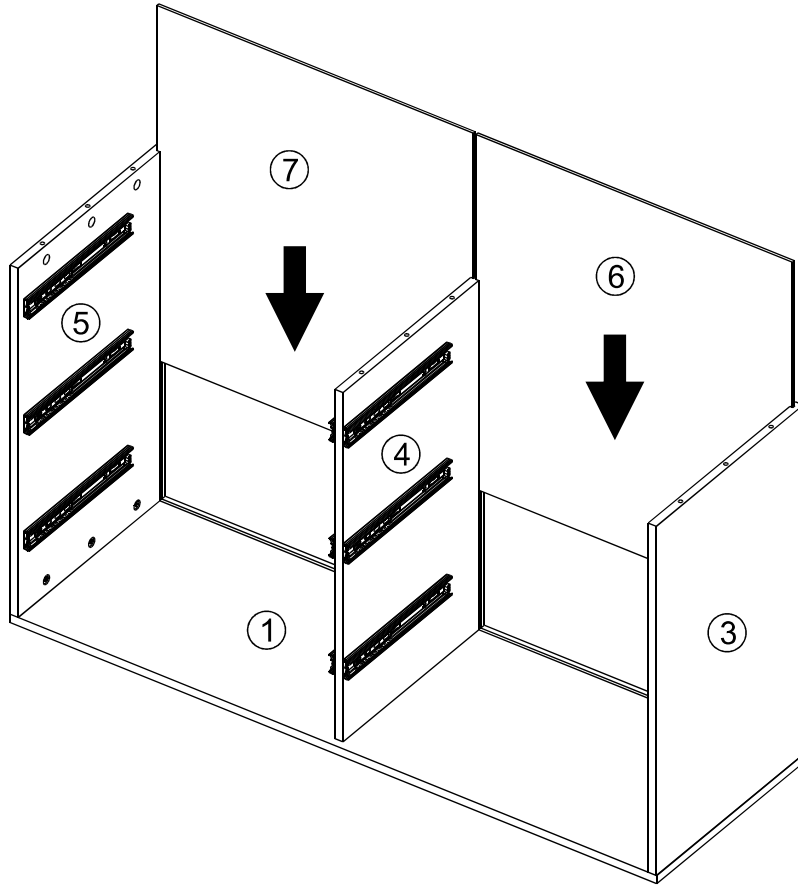
4



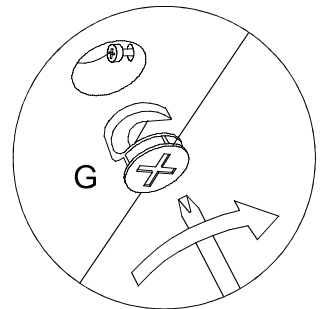
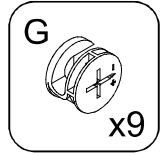
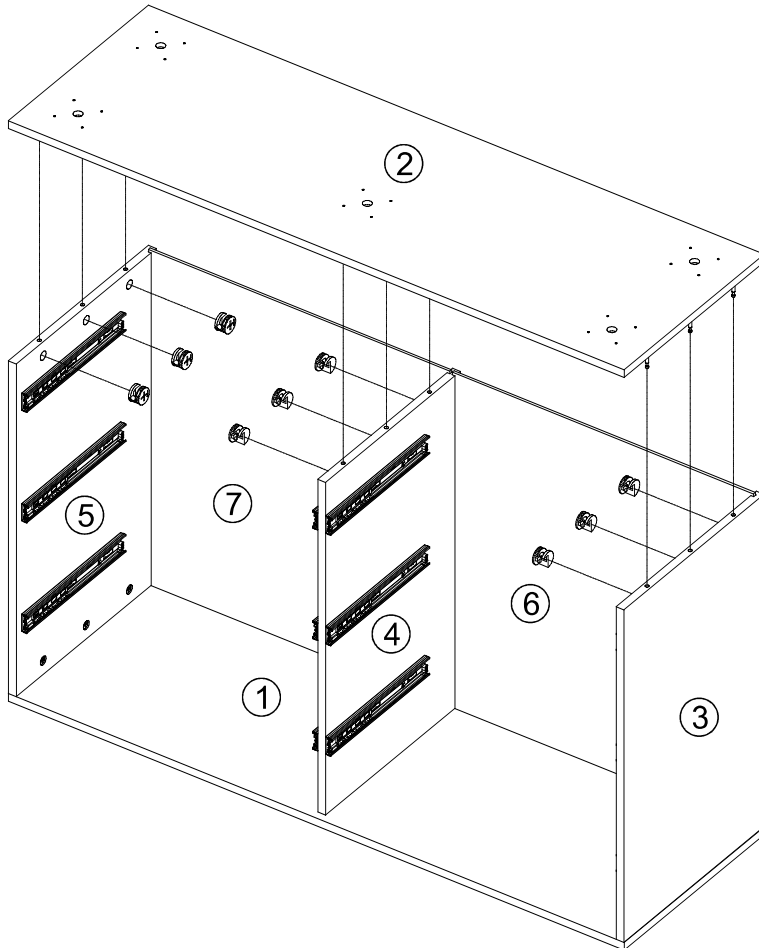
5



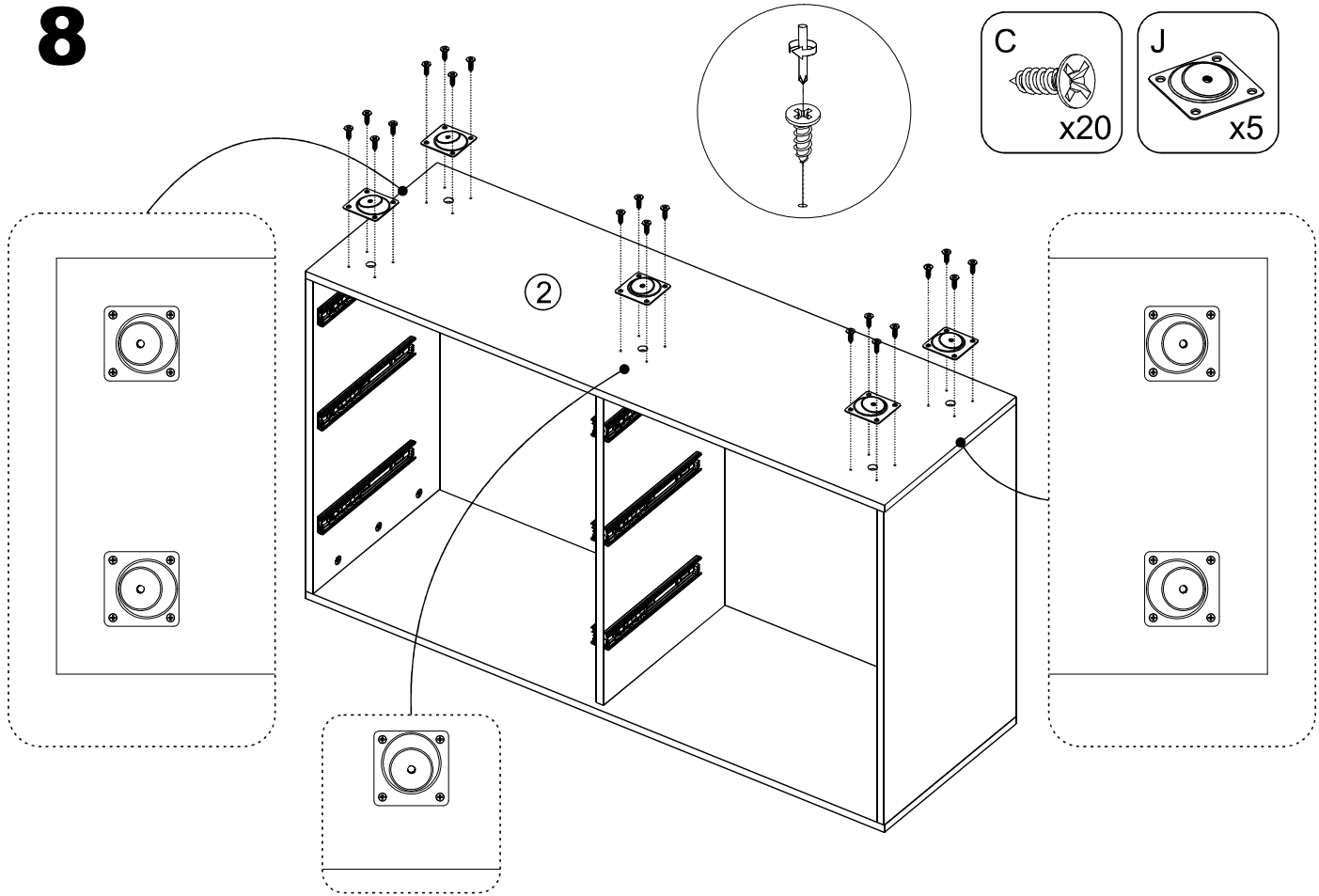
6



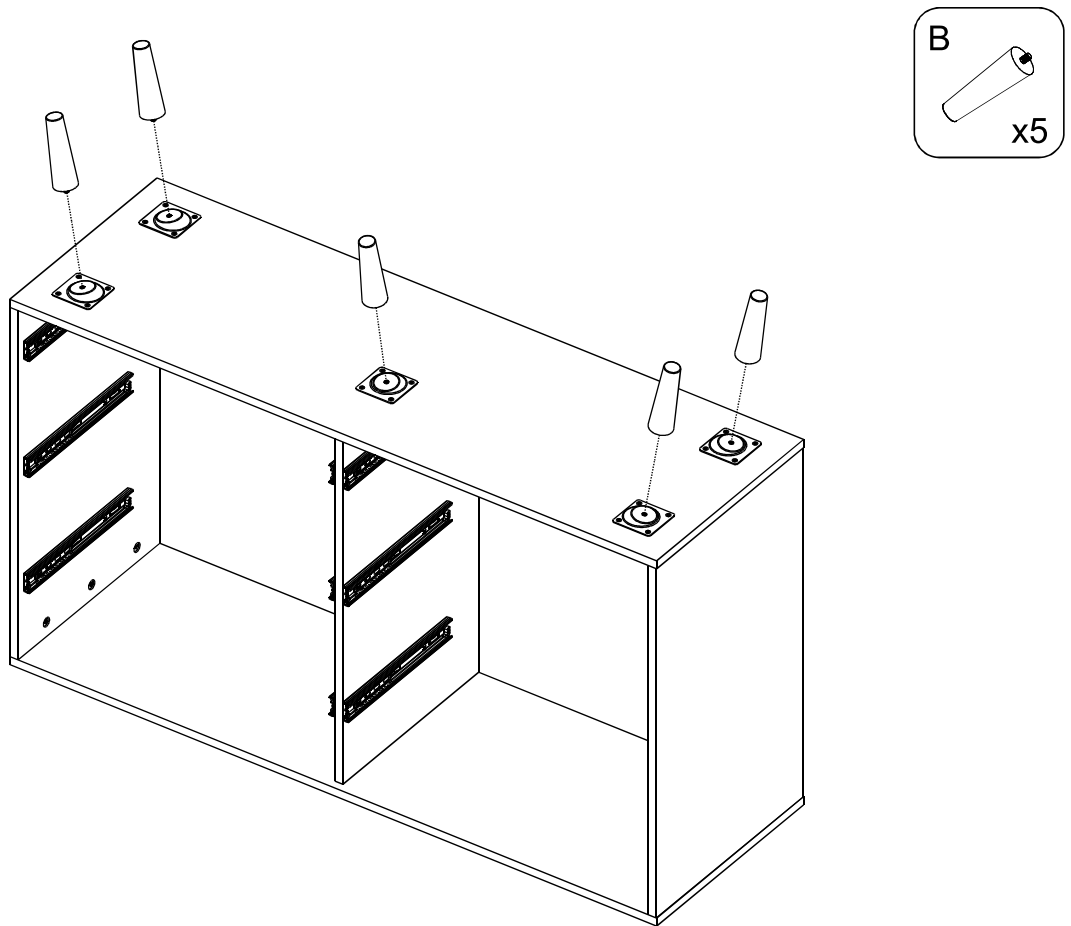
7



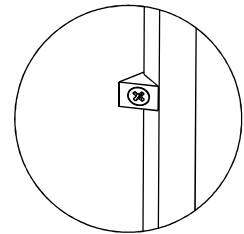
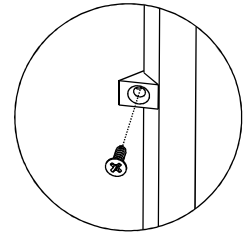
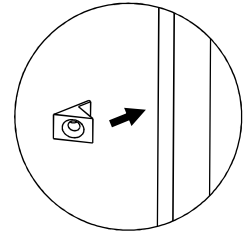
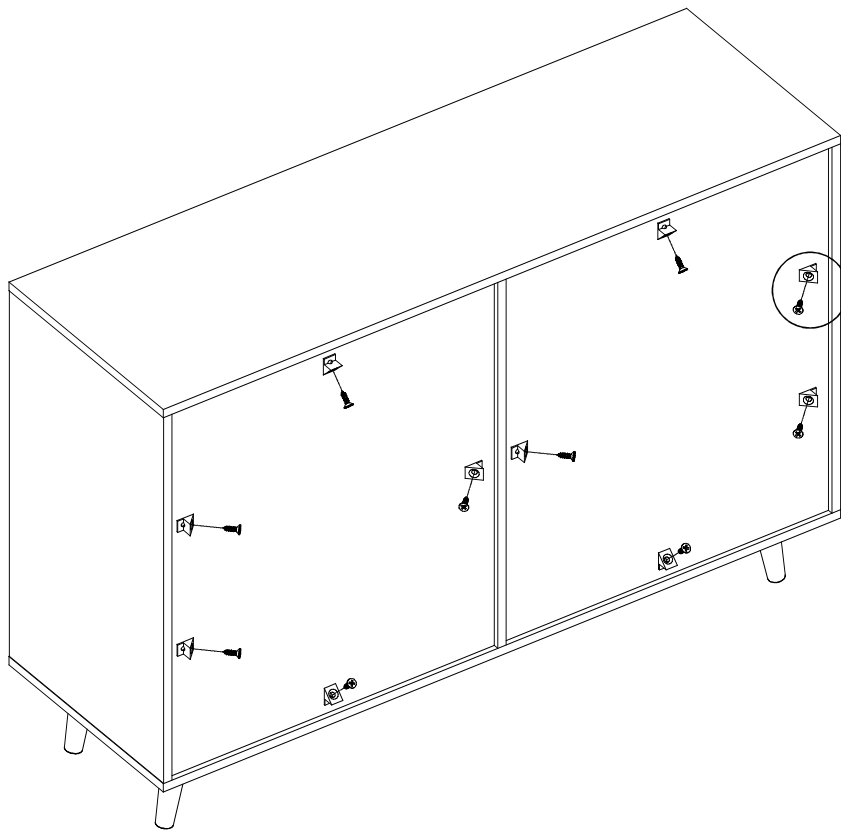
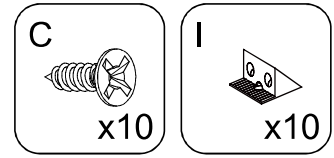
8



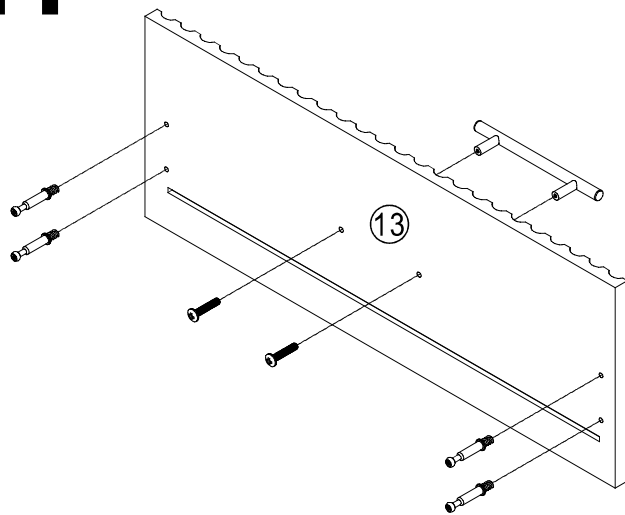
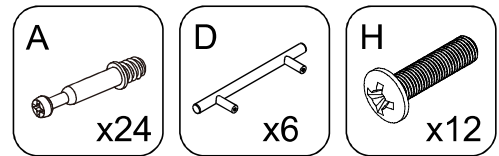
9



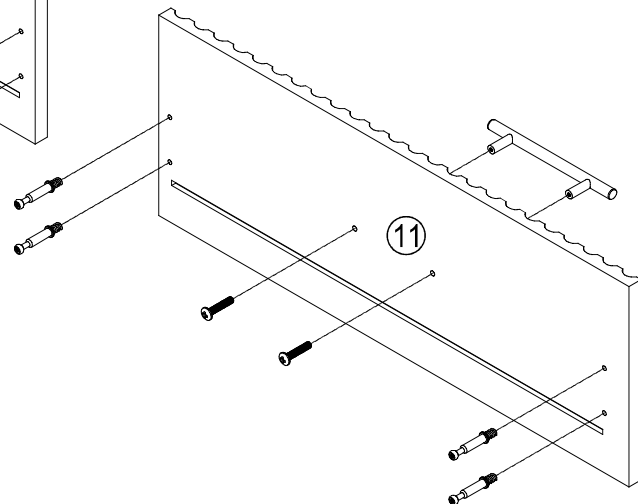
10



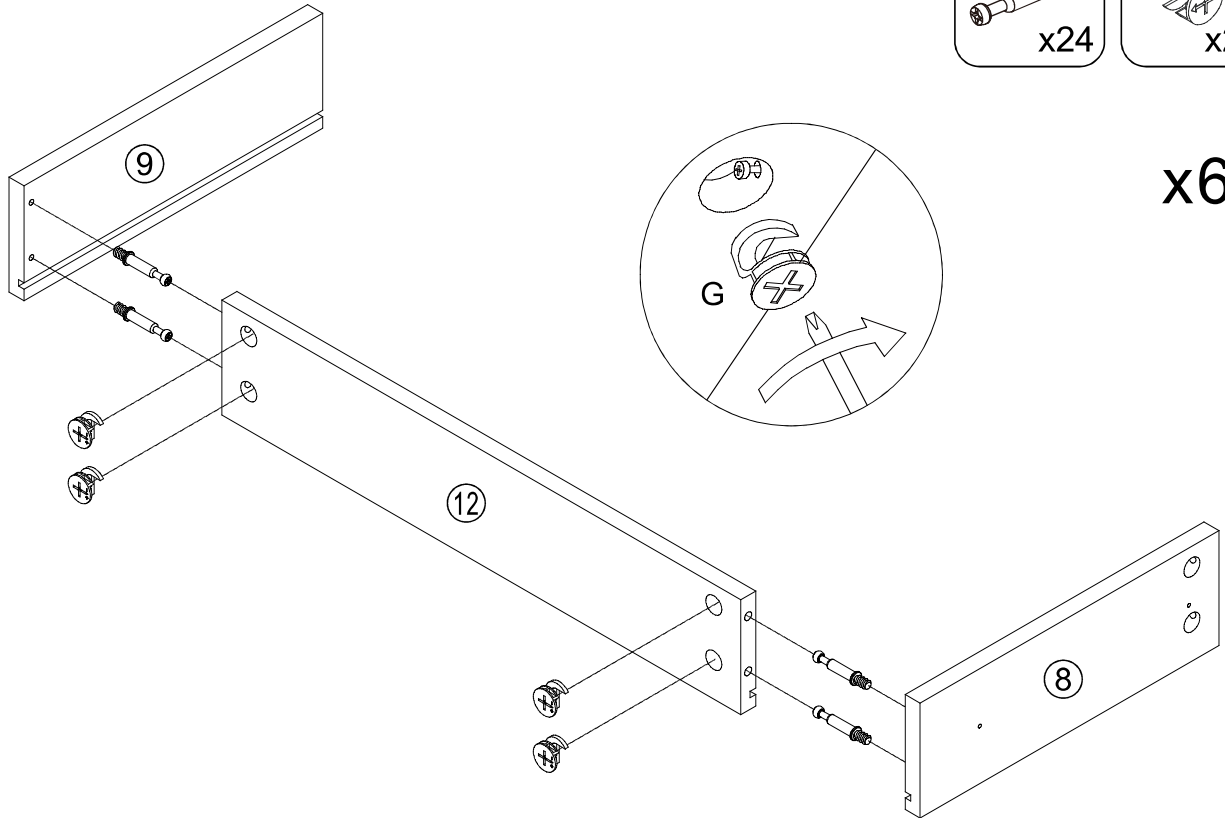
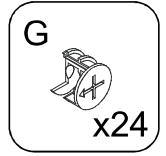
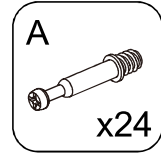
11



X3

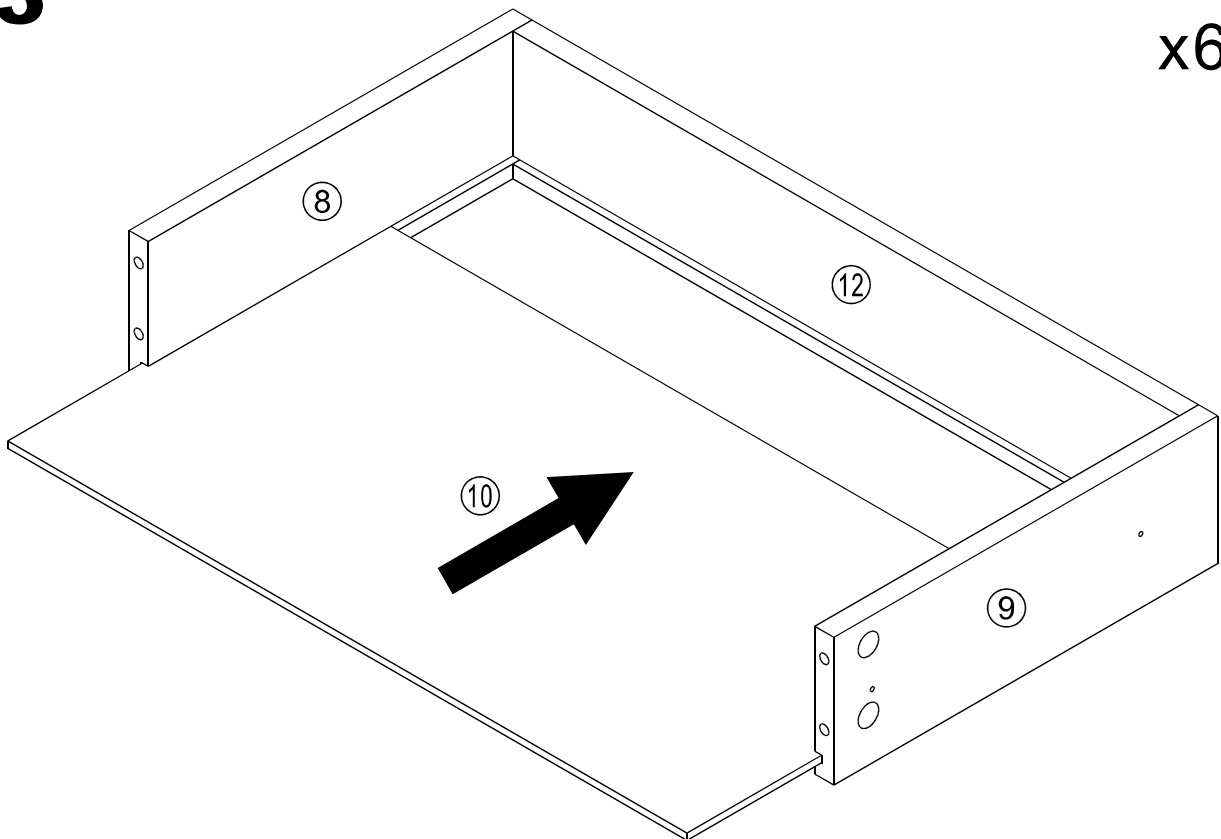


12

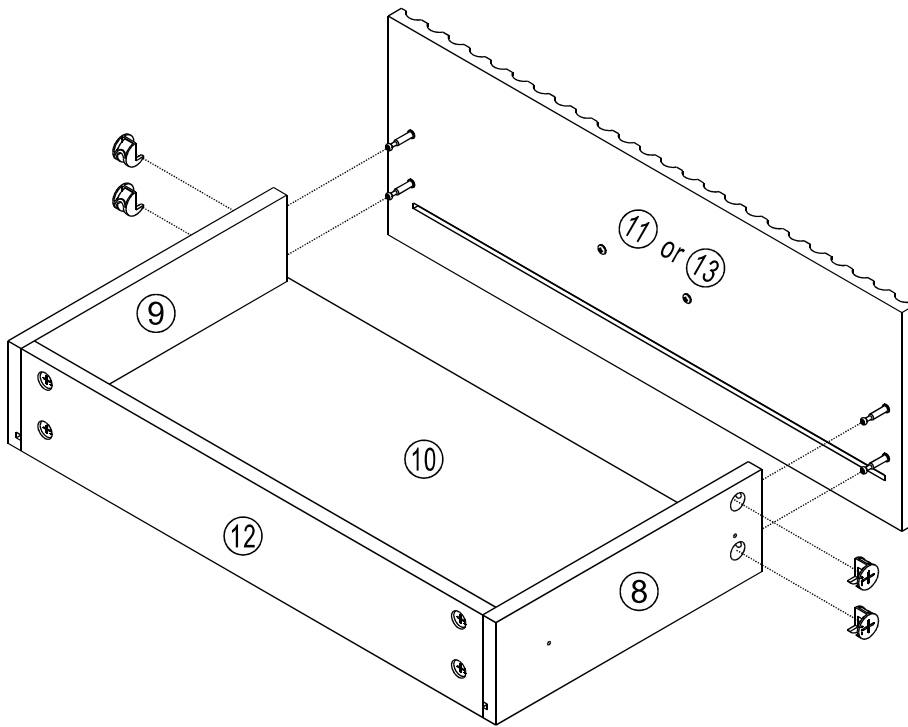


13

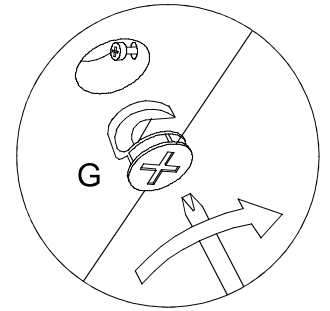
x6



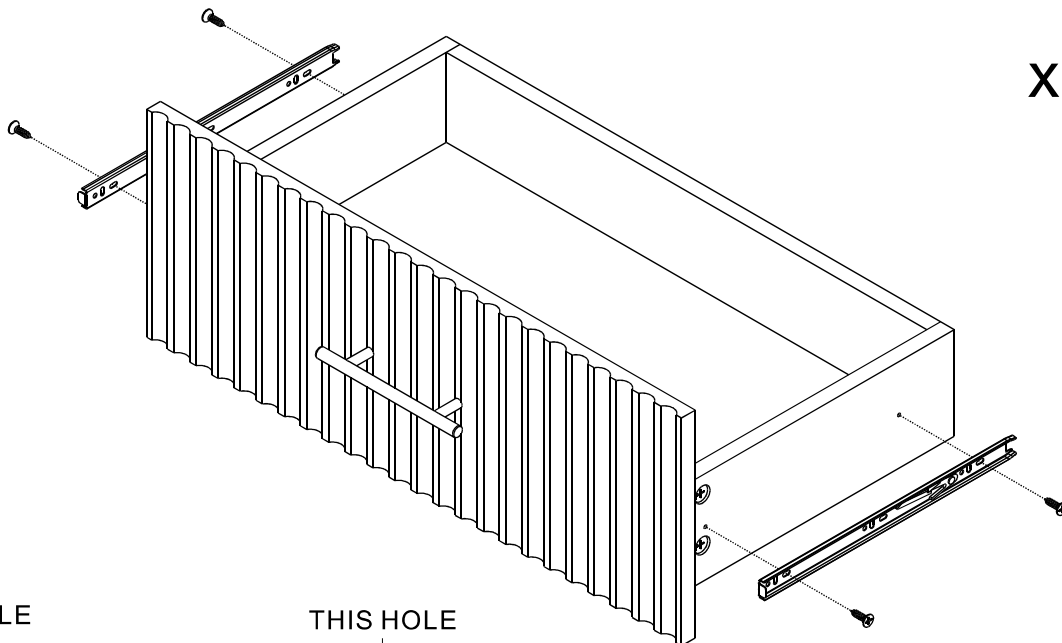
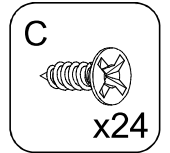
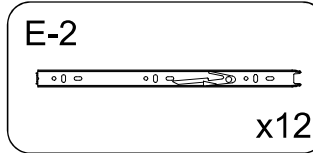
14



x6



15



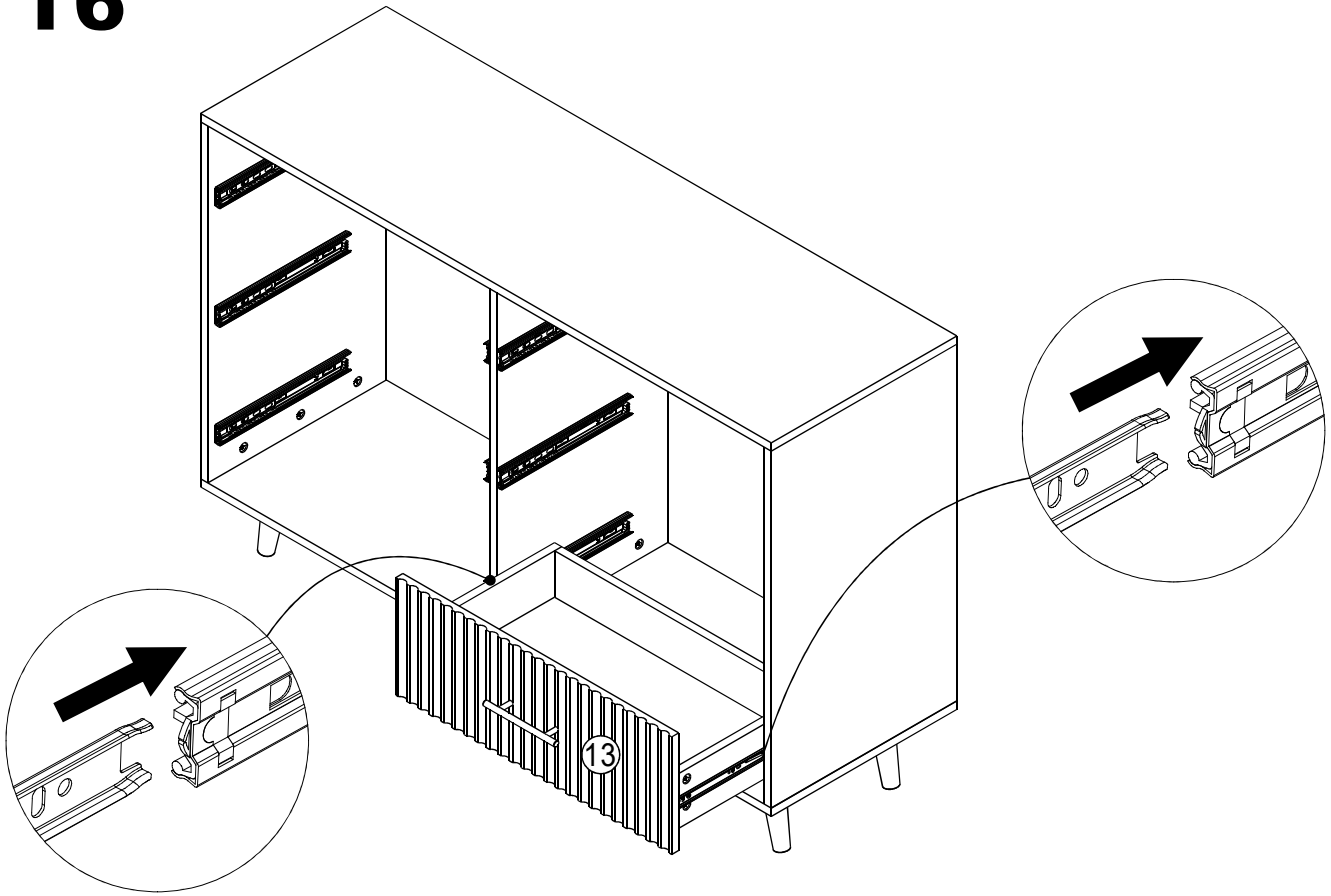
x6

THIS HOLE

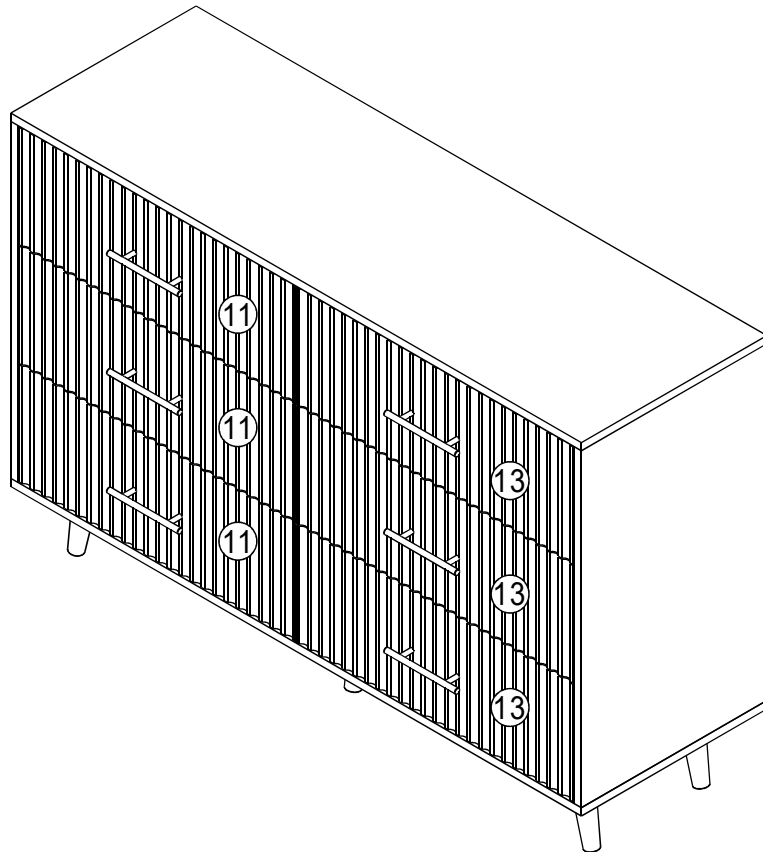
THIS HOLE



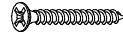
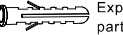


16

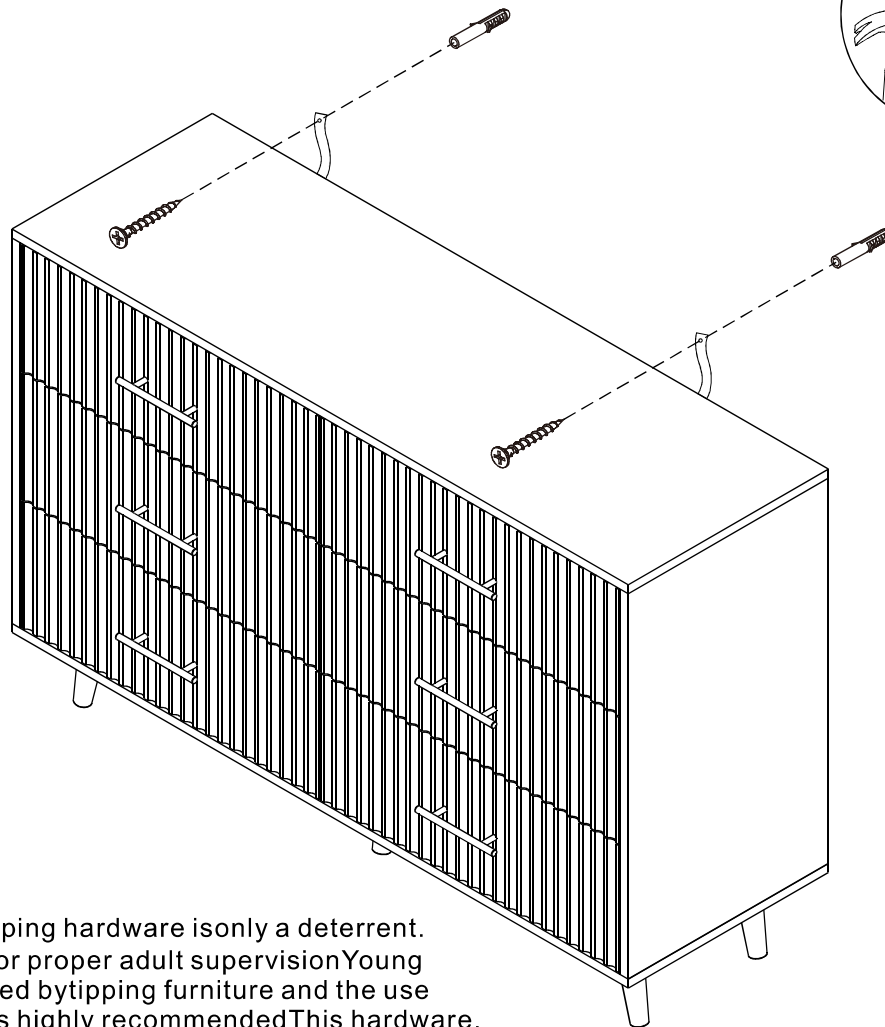
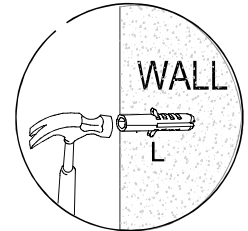
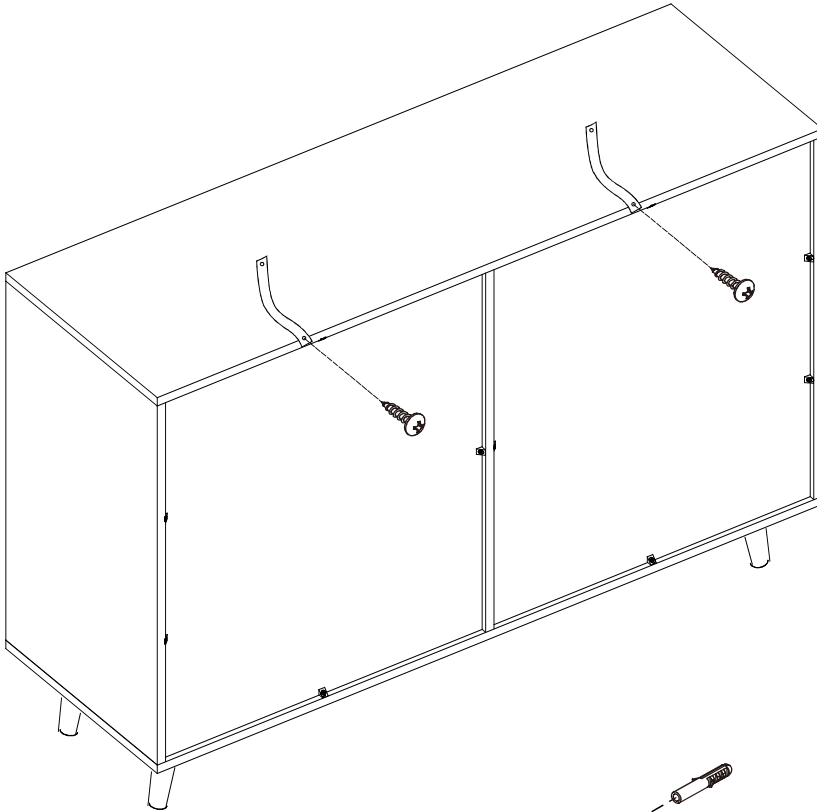


17



18

HARDWARE		
NO.	Part	Qty
L		2
	 Expandable plastic particle	
		
		



WARNING: Anti-tipping hardware is only a deterrent. It is not a substitute for proper adult supervision. Young children may be injured by tipping furniture and the use of a tipping restraint is highly recommended. This hardware, when properly installed, could provide protection against the unexpected tipping of furniture due to improper use.

THANK YOU

Thank you for choosing our product. We sincerely hope that the assembly process has been smooth and enjoyable for you. If you have any questions or suggestions during the use of the product, please feel free to contact us.

