

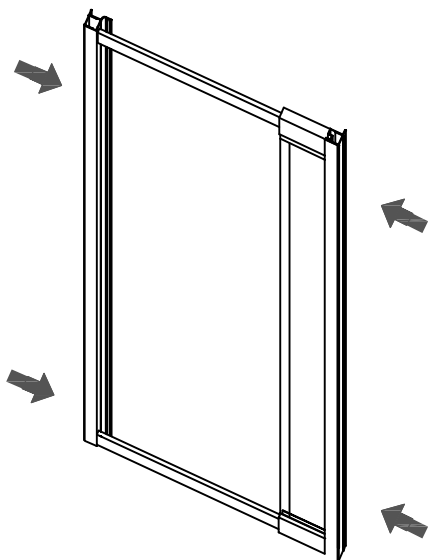
picture 2

Three. Install step:

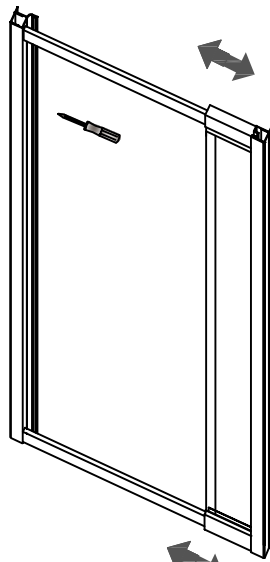
1. Frame's installation

Put the Wall frame on the suitable position of the wall ,using the Leveler to check if level and vertical.Mark the position of six holes with pencil and then drill six Ø6mm holes by Hammer drill.Put the Wall colloidal particles into the holes.As picture 2.

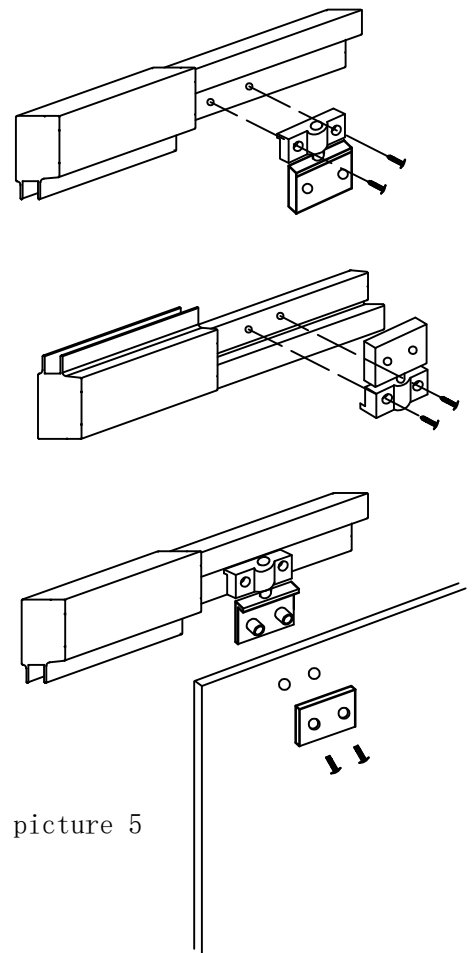
Put the Wall frame into the frame, which is set up in advanced,as picture 3. Then put it in the installation place. Adjust the suitable size by flexible profile.Fix the frame on the wall by 4*25 screws. As picture 4.



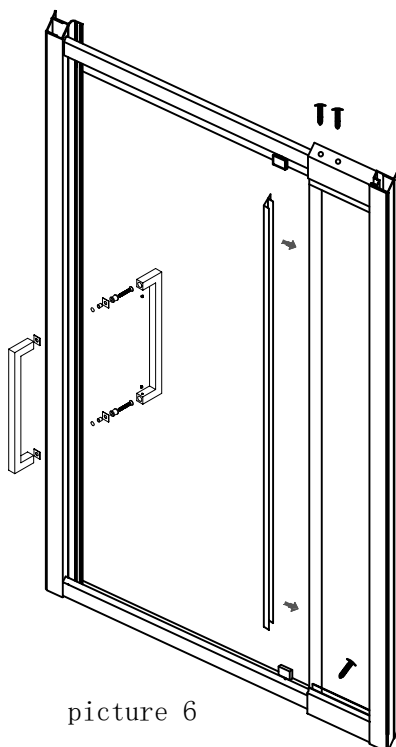
picture 3



picture 4



picture 5



picture 6

2. Door glass's installation

Connect the rotor with the top profile and the lower profile with screws.Twist off the cover of the rotor by Hex key. After install the glass, put the cover on the glass and tighten them with screws.As picture 5.

After adjust the door glass, drill holes on the top profile of the fixed glass and lock them by small screws.Drill holes on the side of the fixed glass's lower profile and lock. Install the handle, fixed glass's waterproof tape and lower waterproof tape .As picture 6.

After finish installation, use glass cement to seal the profiles against the wall and the ground.It can be used after 24 hours .