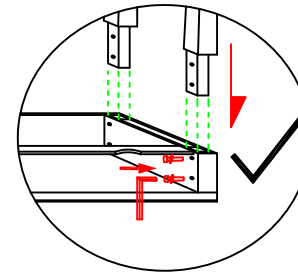
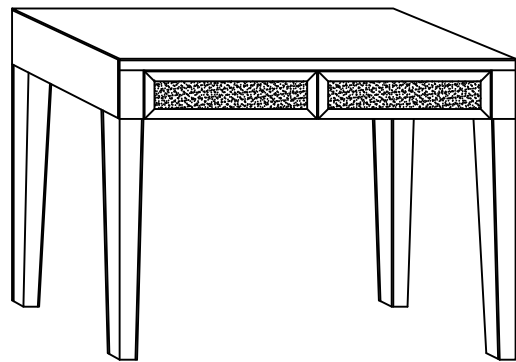
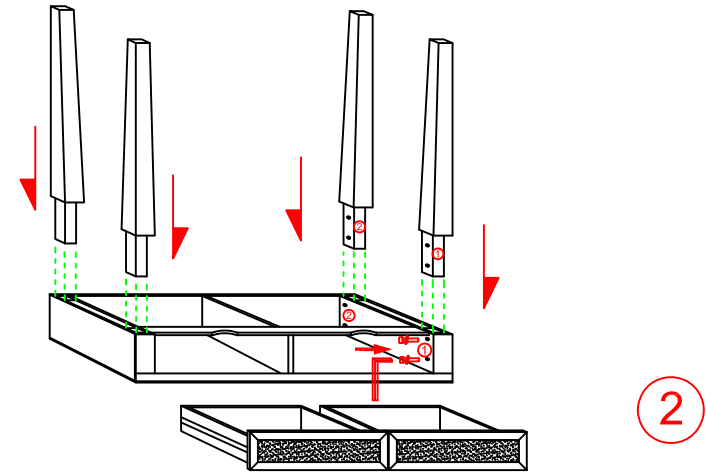
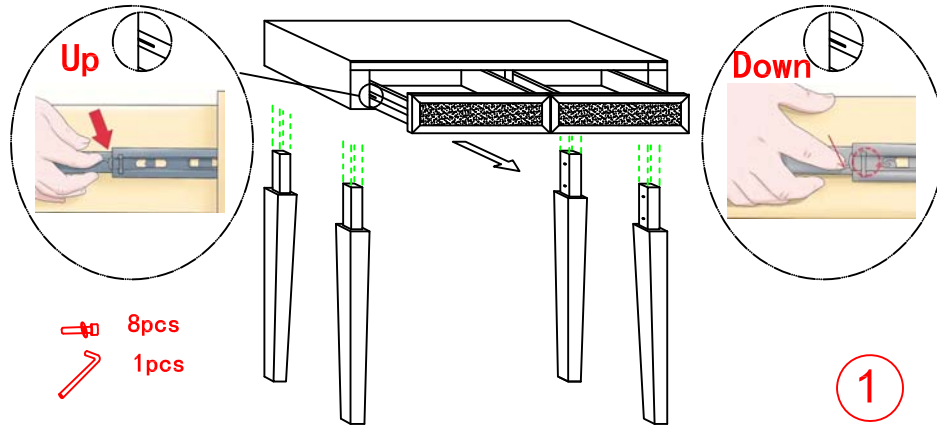
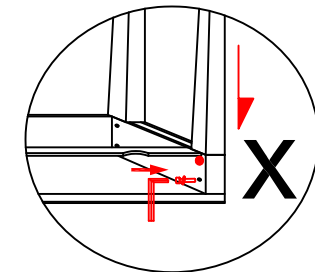


Installation Instructions



Right Method:
Put 2 screws into the
holes at the same time,
and tighten them.



Wrong Method:
After tightening one,
place the other screw
in the hole.

Step 1: Take out the 2 drawers. (Freeing Metal-Glide Drawers with Track Levers)

Step 2: According to the code, find the corresponding leg slot. Attach the leg to the table top, put the 2 screws into the holes together, and tighten the 2 screws with a Allen key

***Note:** When installing a leg, do not install another screw after tightening one screw, otherwise the other screw may not be screwed in.