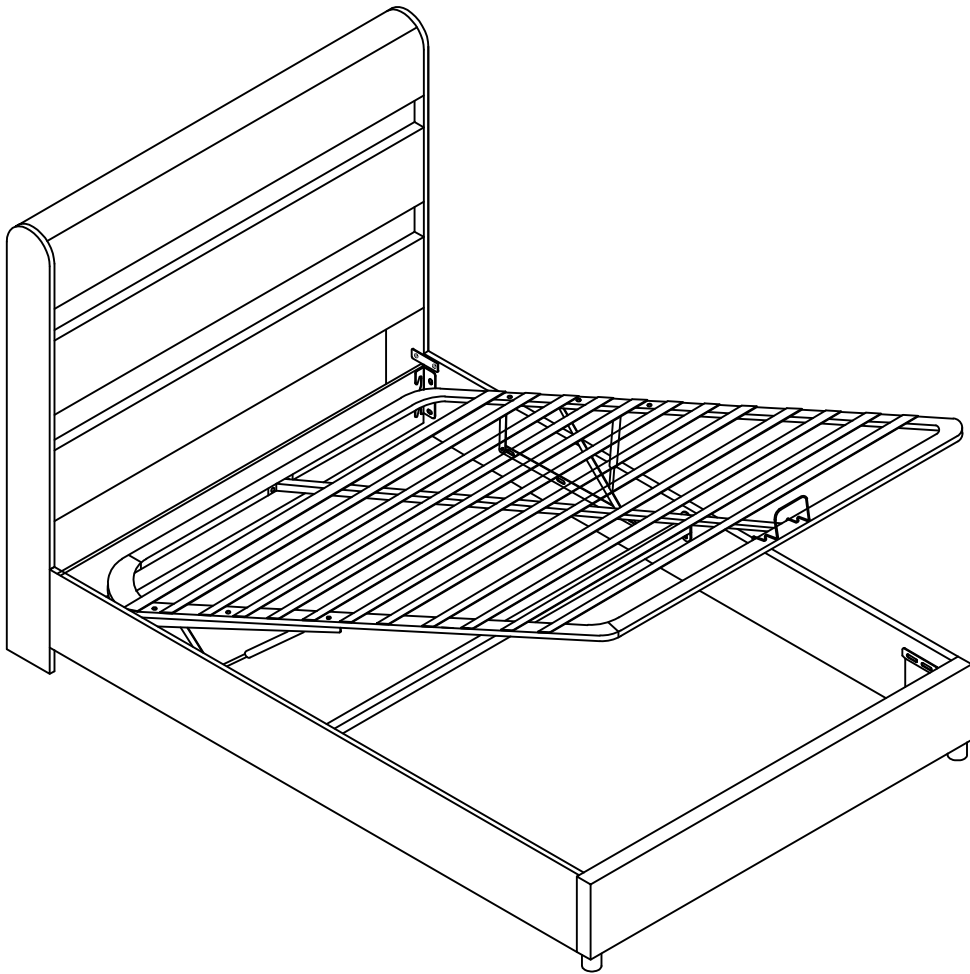
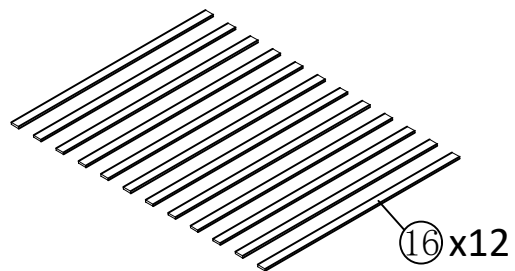
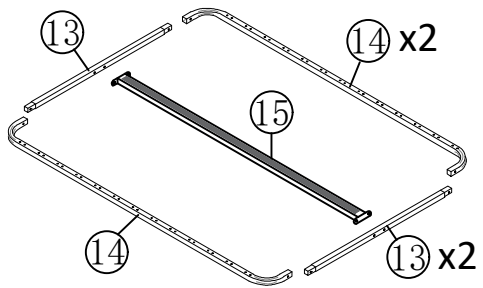
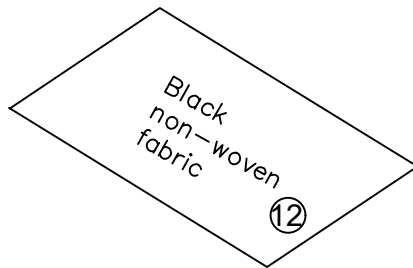
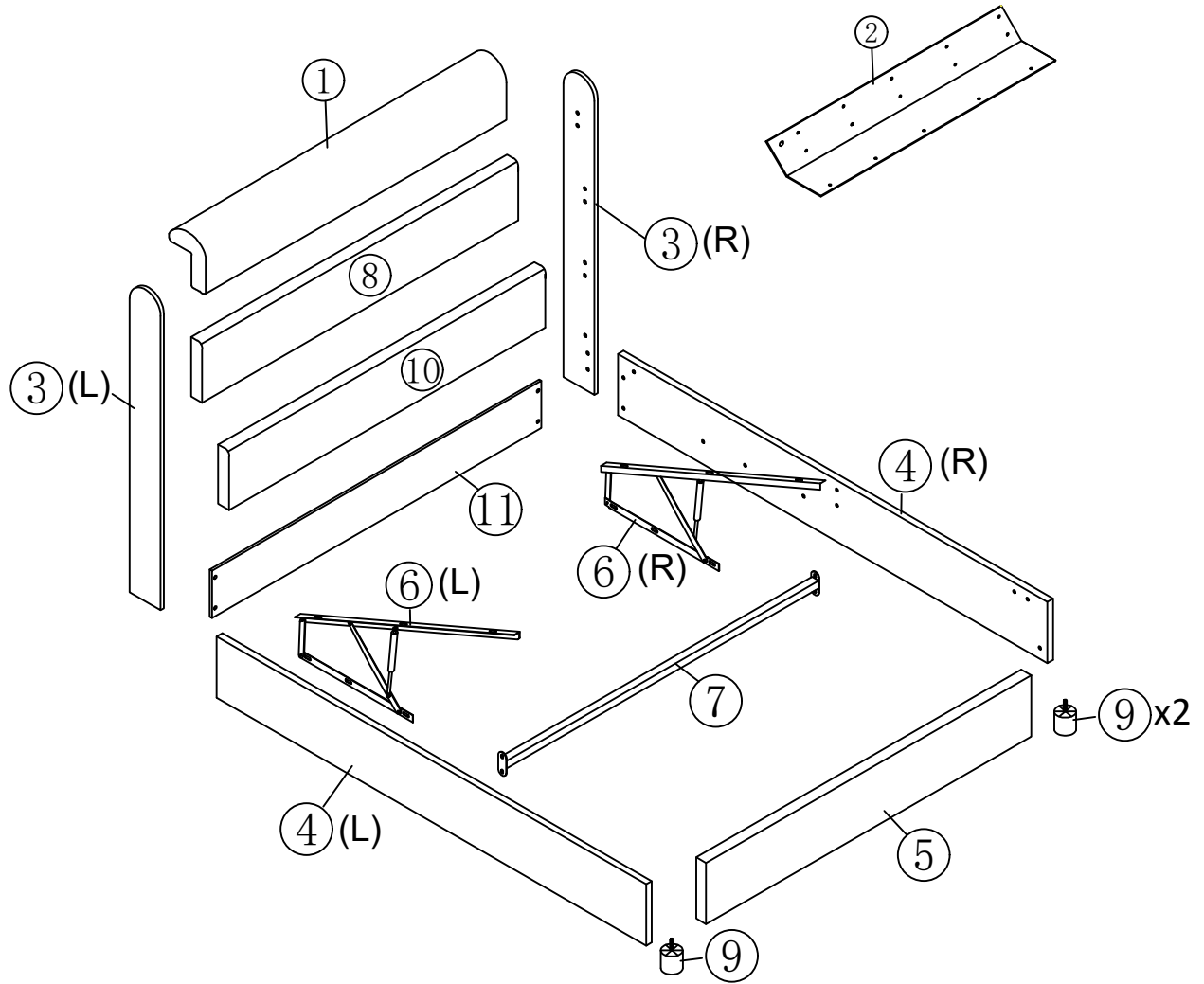


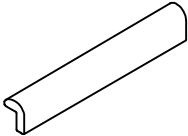
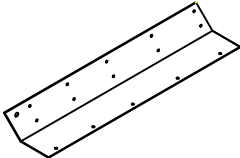


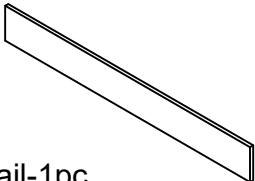
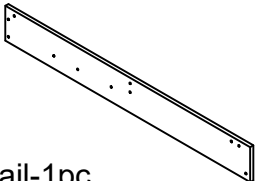
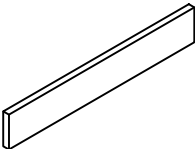
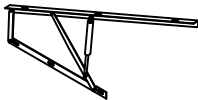

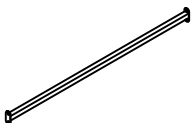
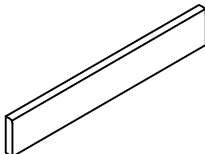

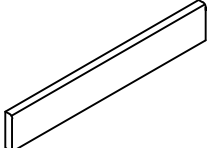
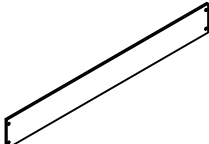
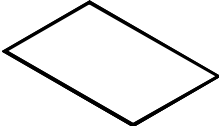
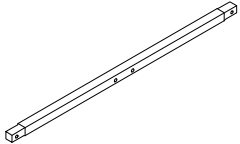
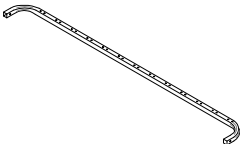
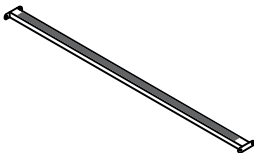
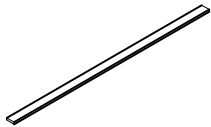
# ASSEMBLY INSTRUCTION





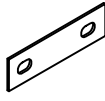




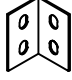




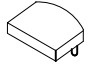





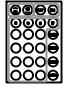
# Detail View



# Part List




<p><b>1</b></p>  <p>Top headboard-1pc</p>	<p><b>2</b></p>  <p>Back board-1pc</p>	<p><b>3L</b></p>  <p>Side board-1pc</p>
<p><b>3R</b></p>  <p>Side board-1pc</p>	<p><b>4L</b></p>  <p>Side rail-1pc</p>	<p><b>4R</b></p>  <p>Side rail-1pc</p>
<p><b>5</b></p>  <p>Foot board-1pc</p>	<p><b>6L</b></p>  <p>Gas lift -1pc</p>	<p><b>6R</b></p>  <p>Gas lift -1pc</p>
<p><b>7</b></p>  <p>Cross bar-1pc</p>	<p><b>8</b></p>  <p>Middle headboard-1pc</p>	<p><b>9</b></p>  <p>Bed legs-2pcs</p>
<p><b>10</b></p>  <p>Below board-1pc</p>	<p><b>11</b></p>  <p>Cross board-1pc</p>	<p><b>12</b></p>  <p>Non woven fabric -1pc</p>
<p><b>13</b></p>  <p>Metal frame cross bar-2pcs</p>	<p><b>14</b></p>  <p>Metal frame side bar-2pcs</p>	<p><b>15</b></p>  <p>Metal frame middle bar-1pc</p>
<p><b>16</b></p>  <p>Slat-12pcs</p>		

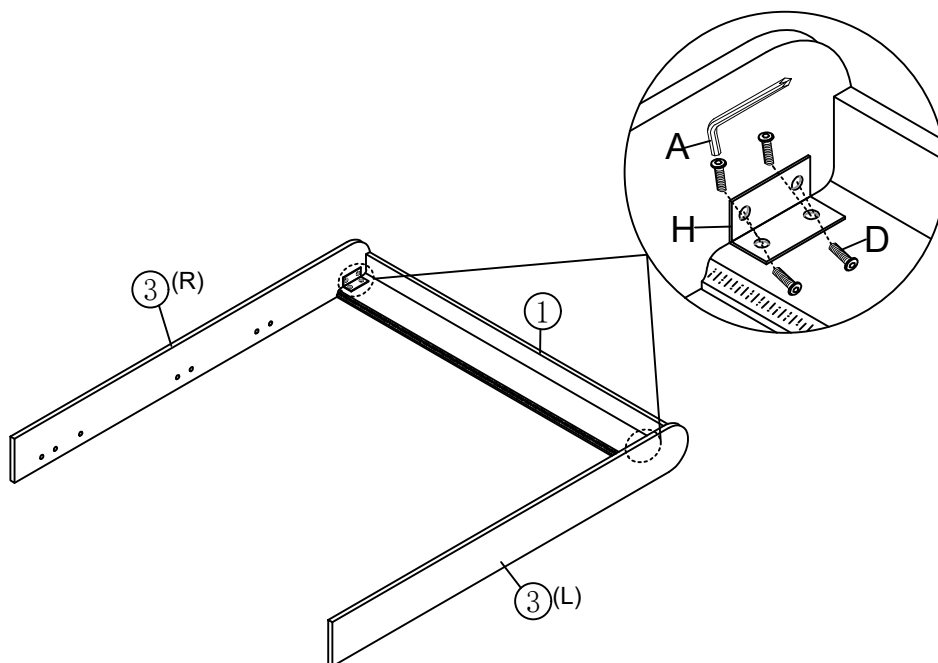
# Hardware List

<p><b>A</b></p>  <p>20*70mm</p>	<p><b>B</b></p>  <p>Ø8*45mm</p>	<p><b>C</b></p> 
<p>Allen Key(1pc)      Bolts(14pcs)      Two hole iron(2pcs)</p>		
<p><b>D</b></p>  <p>Ø8*18mm</p>	<p><b>E</b></p>  <p>Ø8*12mm</p>	<p><b>F</b></p> 
<p>Bolts(52pcs)      Bolts(16pcs)      Little "7" Connector(2pcs)</p>		
<p><b>G</b></p> 	<p><b>H</b></p>  <p>77*33**33*3mm</p>	<p><b>I</b></p> 
<p>Metal Corner(2pcs)      "7" Connector(9pcs)      Nuts(4pcs)</p>		
<p><b>J</b></p> 	<p><b>K</b></p>  <p>M8</p>	<p><b>L</b></p> 
<p>Spanner(1pc)      Nuts(14pcs)      Hinge(2pcs)</p>		
<p><b>M</b></p> 	<p><b>N</b></p> 	<p><b>O</b></p>  <p>Ø4*20mm</p>
<p>End slats cap(24pcs)      Stopper(1pc)      Nails(15pcs)</p>		
<p><b>P</b></p> 	<p><b>Q</b></p> 	<p><b>R</b></p> 
<p>LED(2pcs)      Power adapter(1pc)      Color controller(1pc)</p>		
<p><b>S</b></p> 		
<p>Remote control(1pc)</p>		





Remark: We recommend you assemble your bed in the flat ground.

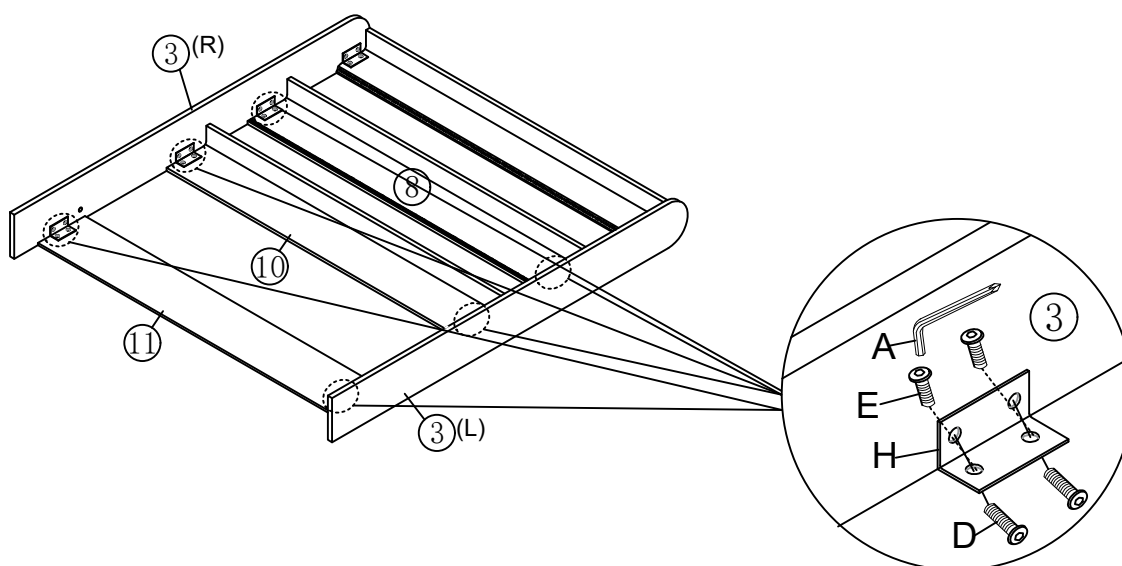
### Step 1

<p>A</p> 	<p>D</p>  <p>M8X18mm</p> <p>8PCS</p>	<p>H</p>  <p>2PCS</p>
---	---	--

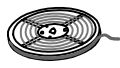


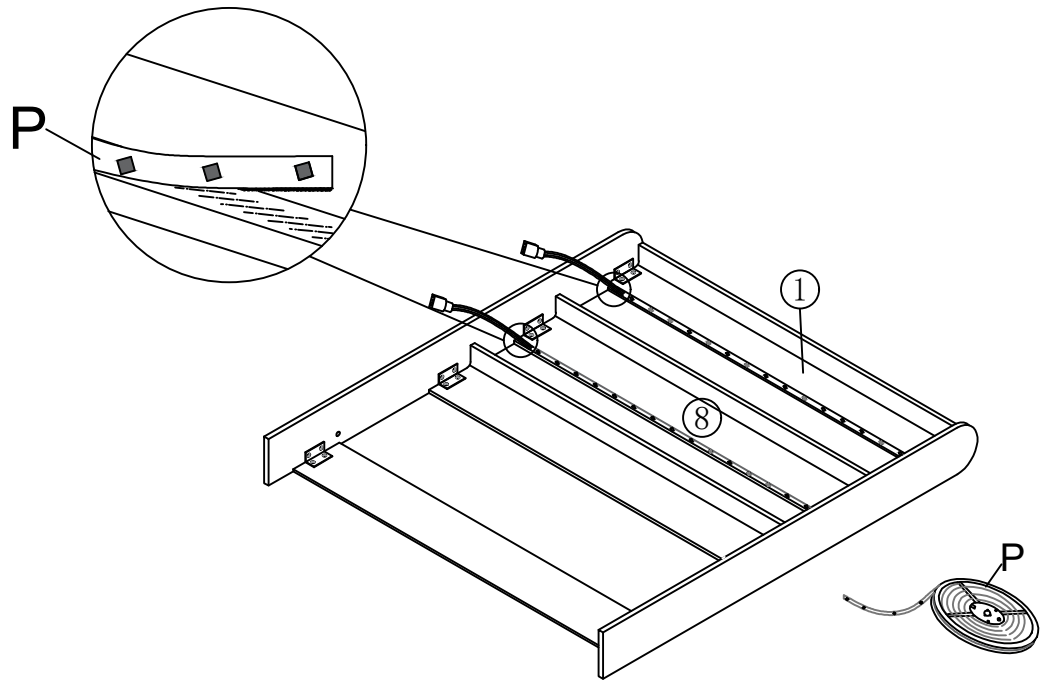
### Step 2

<p>A</p> 	<p>D</p>  <p>M8X18mm</p> <p>12PCS</p>	<p>E</p>  <p>M8X12mm</p> <p>12PCS</p>	<p>H</p>  <p>6PCS</p>
--	---	--	--





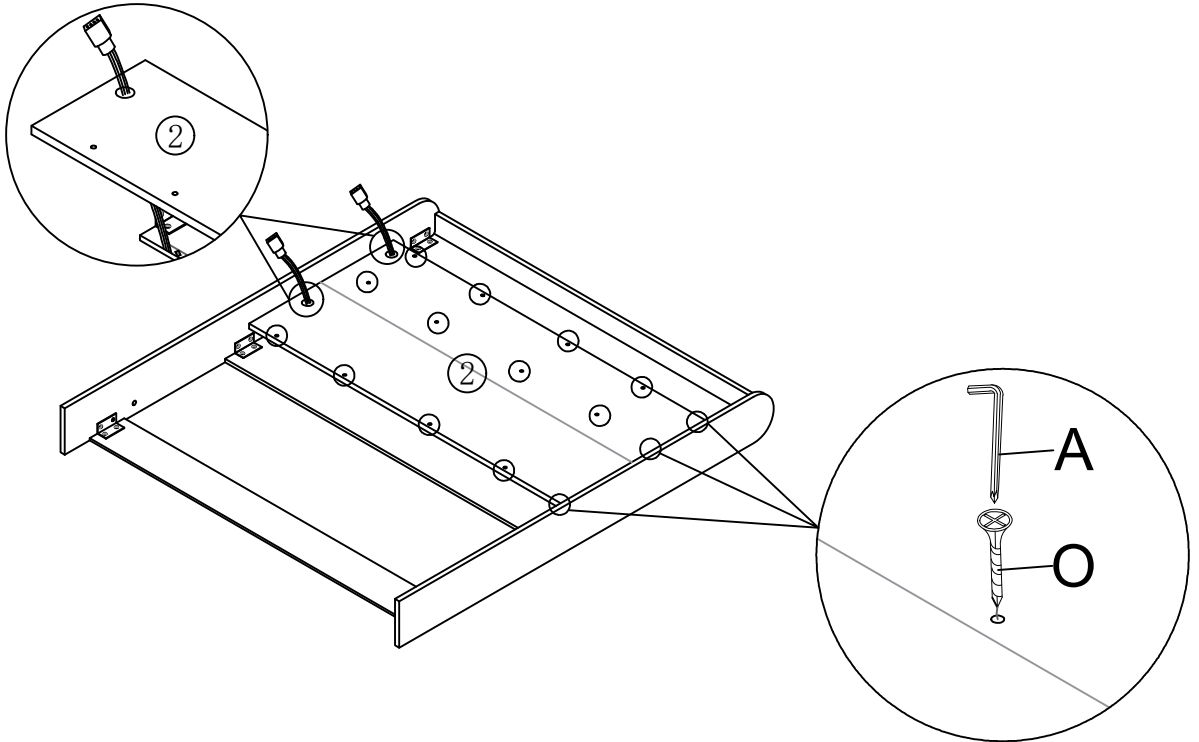
### Step 3

P	
2PCS	







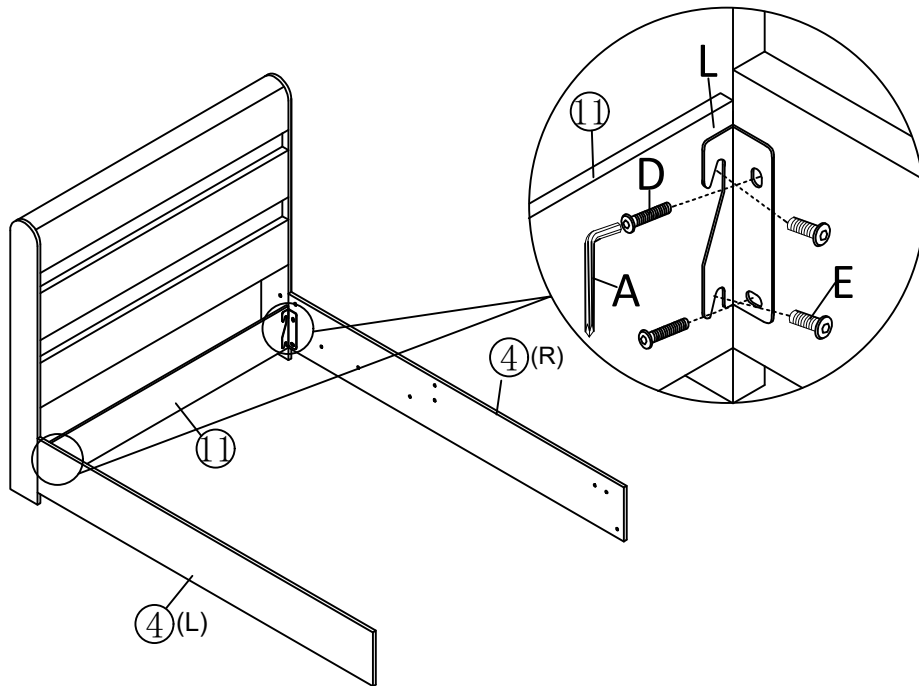
### Step 4

A	O
	 Ø4*20mm
15PCS	


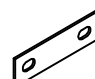



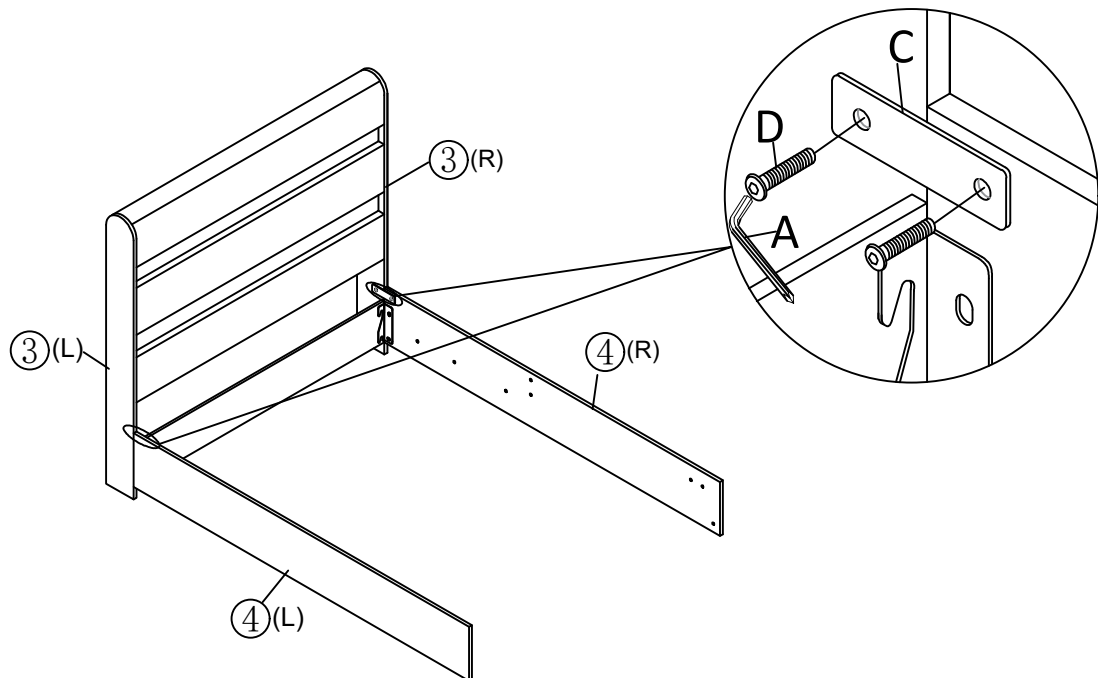
# Step 5

<p>A</p> 	<p>D</p>  <p>M8X18mm</p> <p>4PCS</p>	<p>E</p>  <p>M8X12mm</p> <p>4PCS</p>	<p>L</p>  <p>2PCS</p>
--	--	---	--

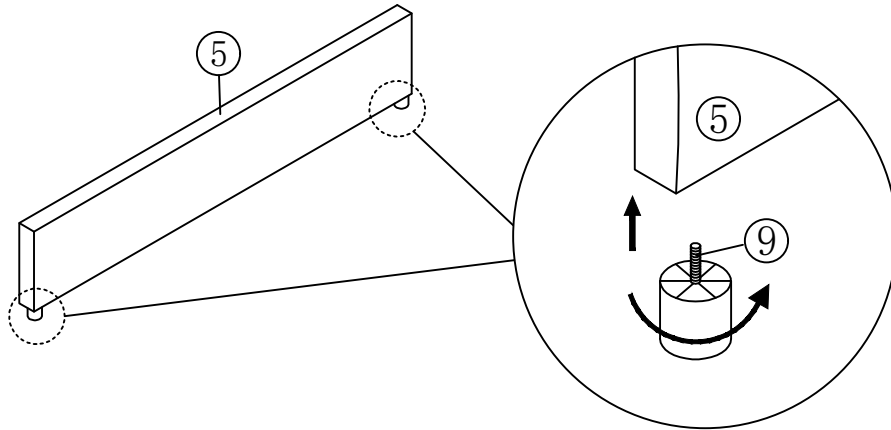


# Step 6



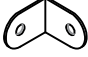
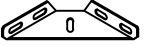
<p>A</p> 	<p>C</p>  <p>2PCS</p>	<p>D</p>  <p>M8X18mm</p> <p>4PCS</p>
---	--	---

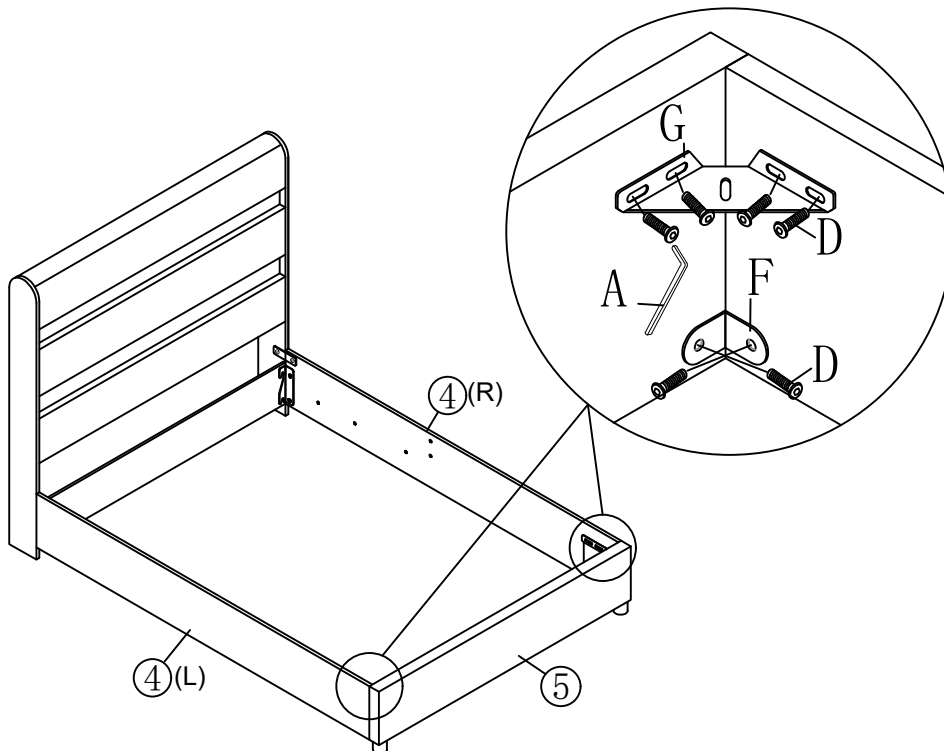


# Step 7






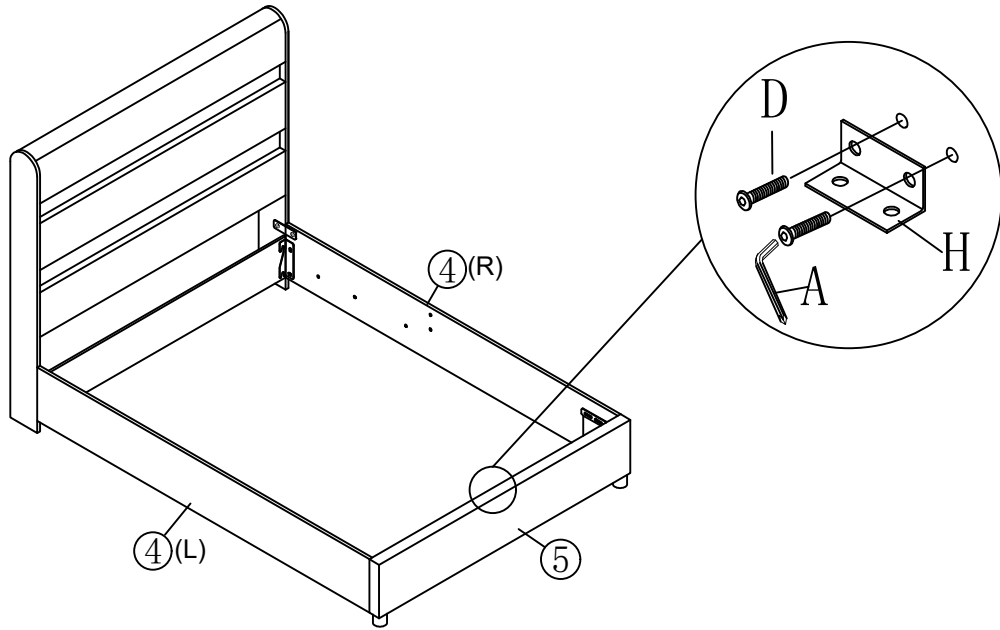
# Step 8

<p>A</p> 	<p>D</p>  <p>M8X18mm</p> <p>12PCS</p>	<p>F</p>  <p>2PCS</p>	<p>G</p>  <p>2PCS</p>
--	---	--	--


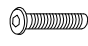



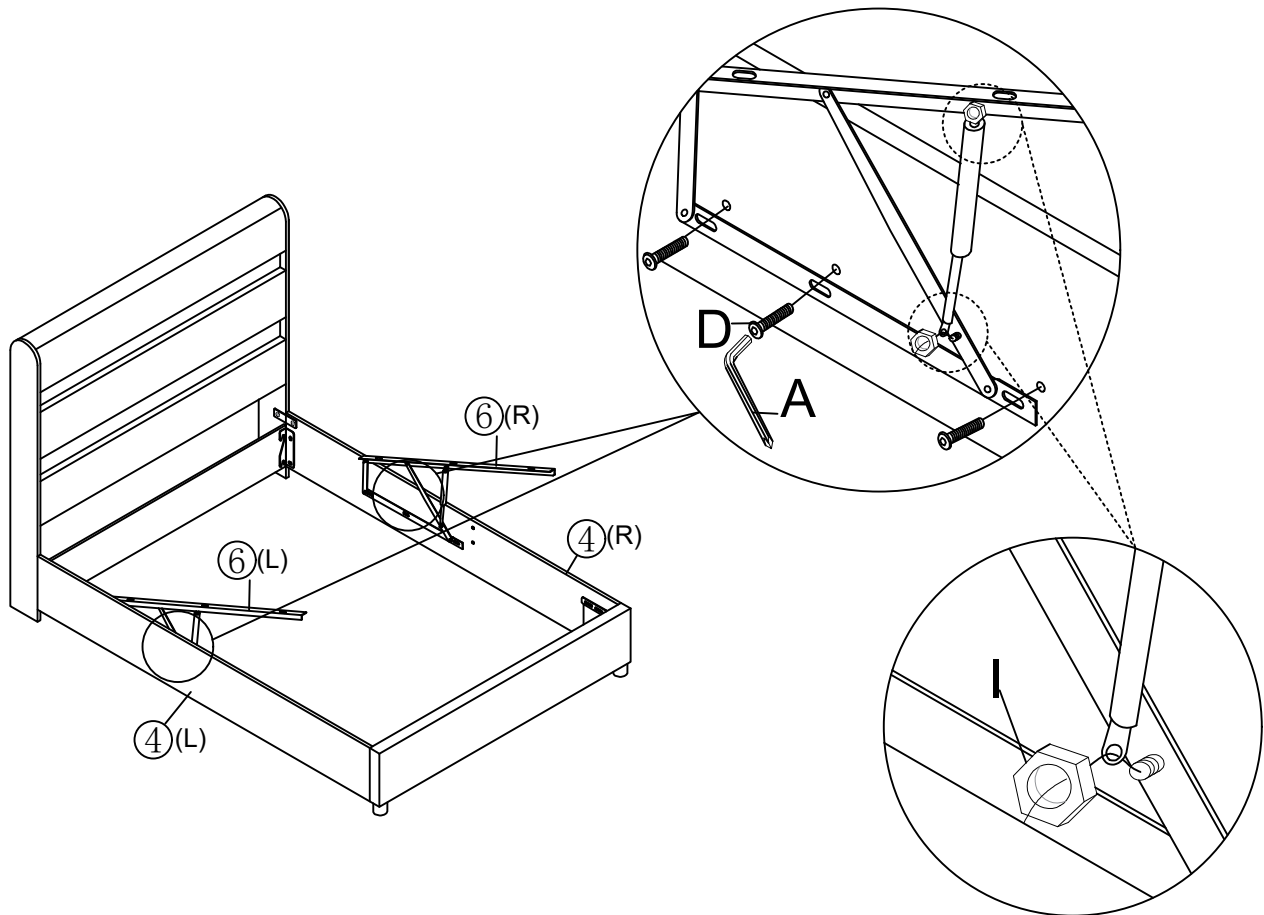
# Step 9

A	D	H
	 M8X18mm	
	2PCS	1PC





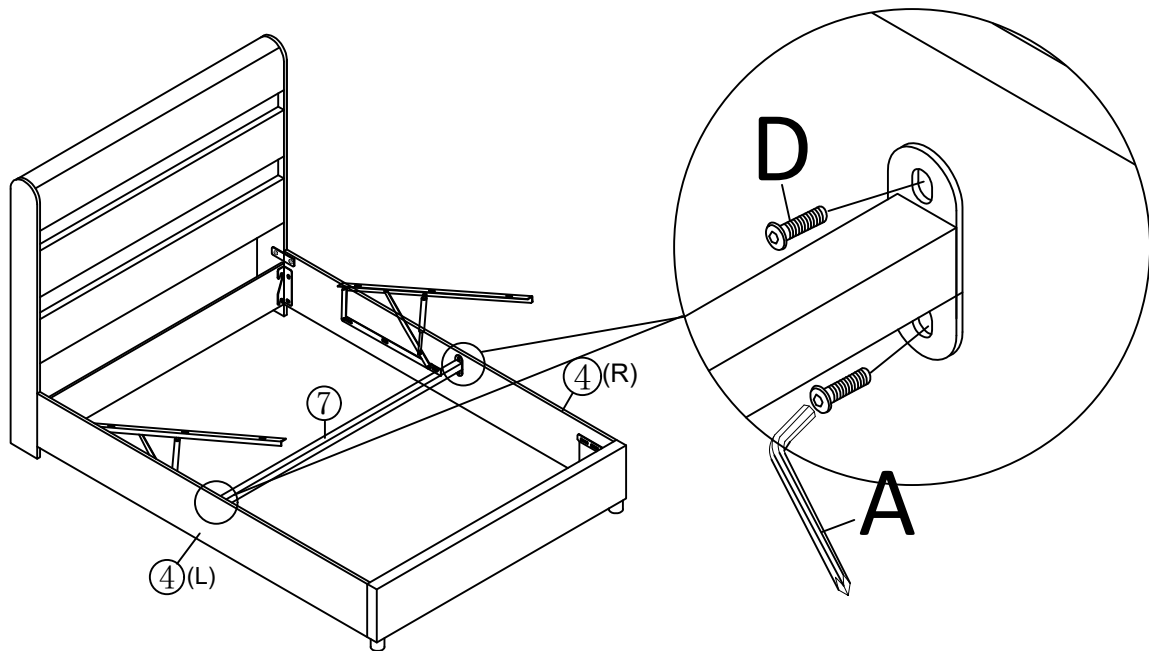
# Step 10

A	D	I
	 M8X18mm	
	6PCS	4PCS

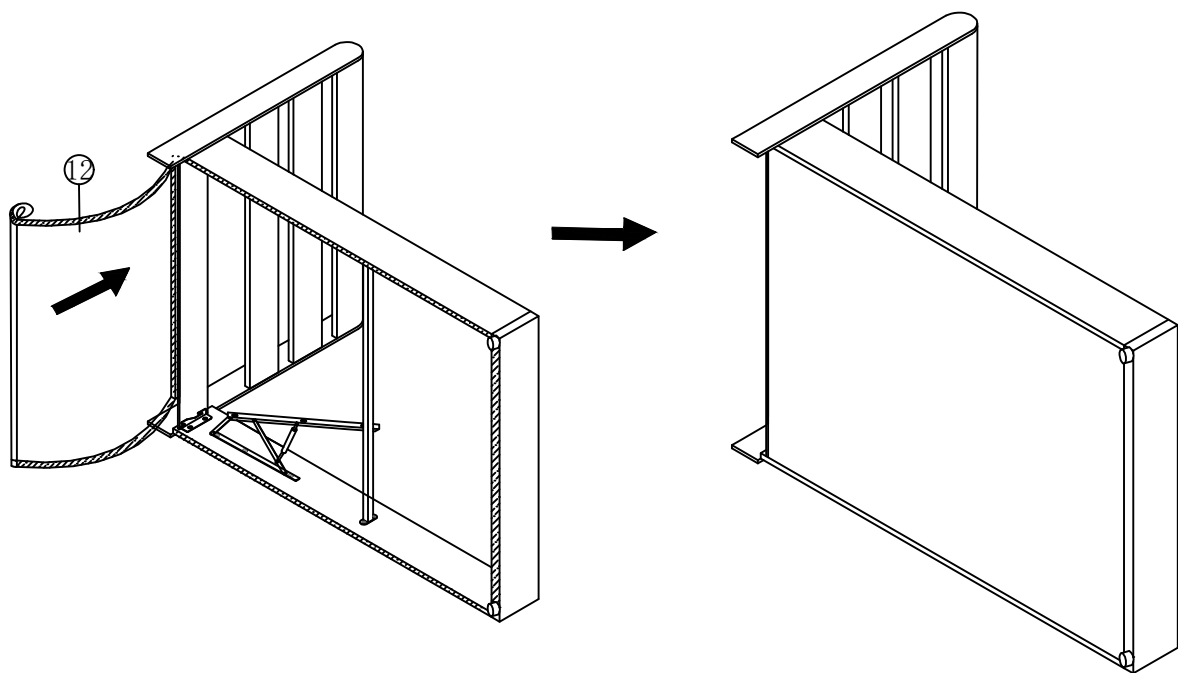


# Step 11




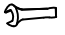
A 	D  M8X18mm 4PCS
--	---

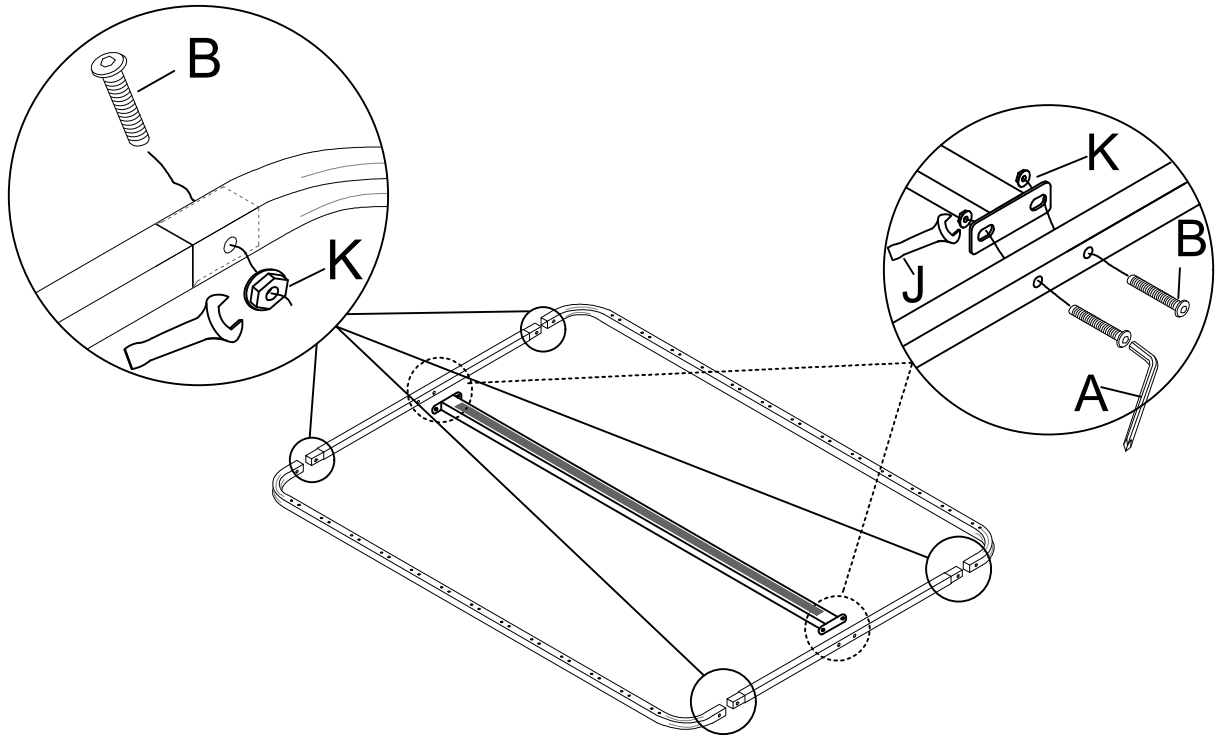


# Step 12




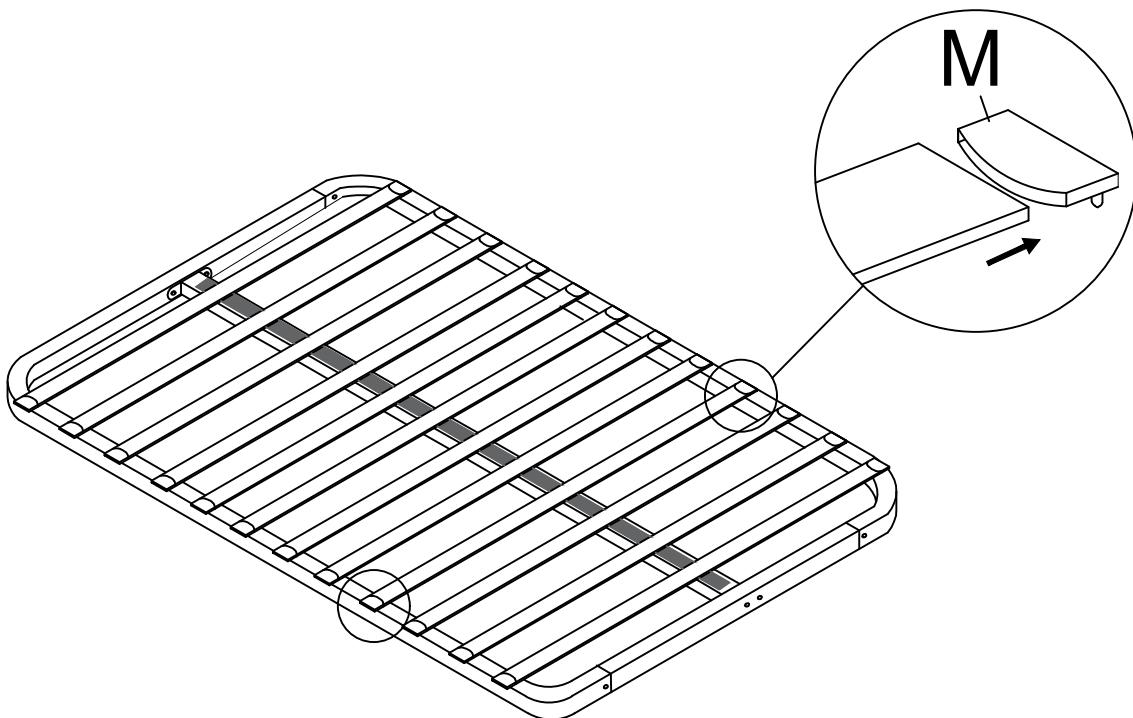
# Step 13

A	B	K	J
	 M8X45mm		
	8PCS	8PCS	1PC


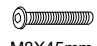




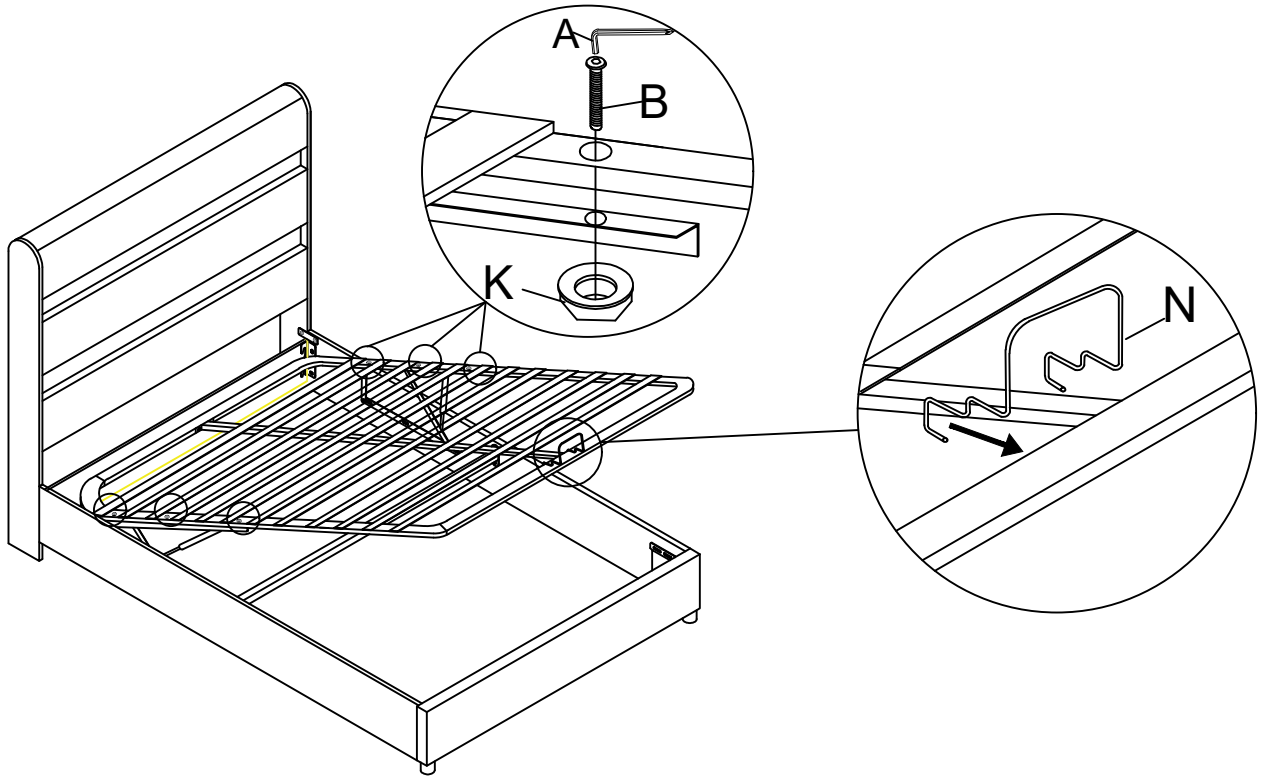
# Step 14

M

24PCS





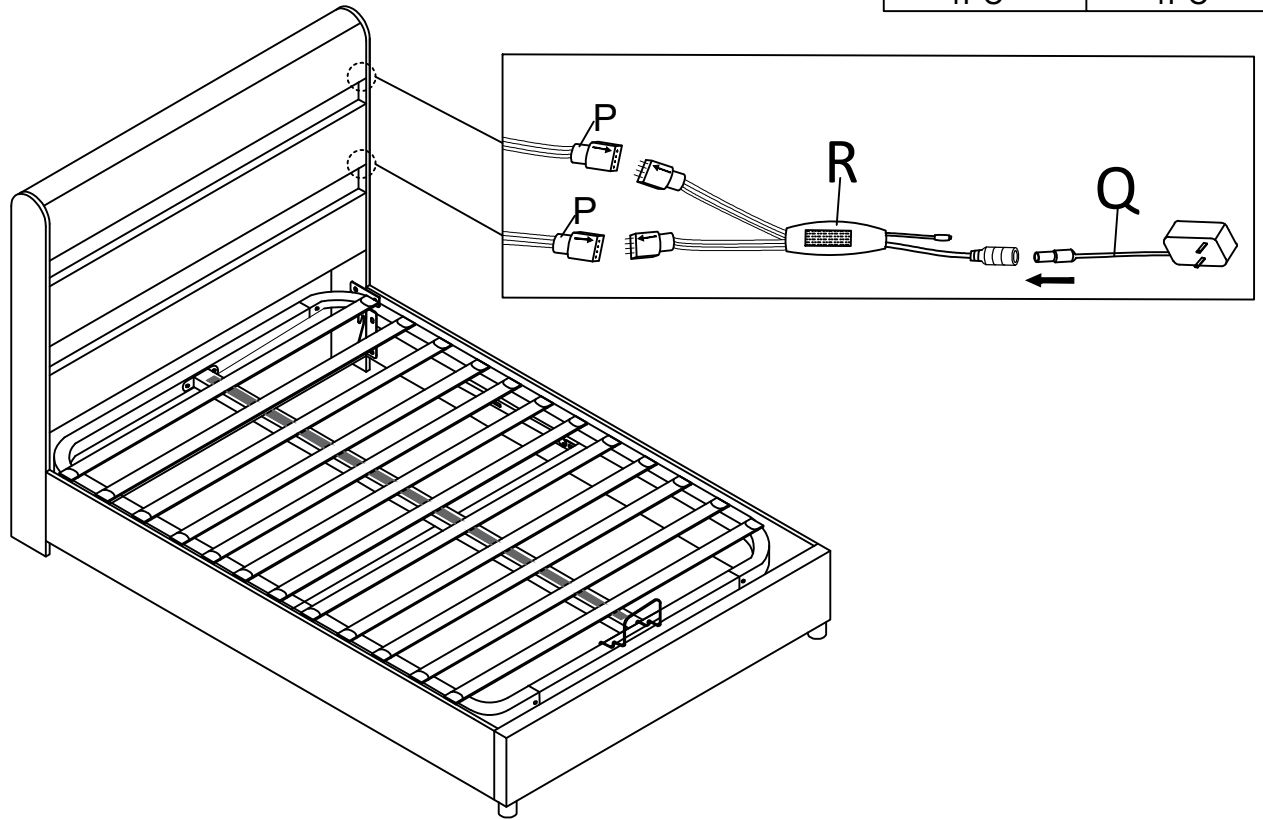
# Step 15

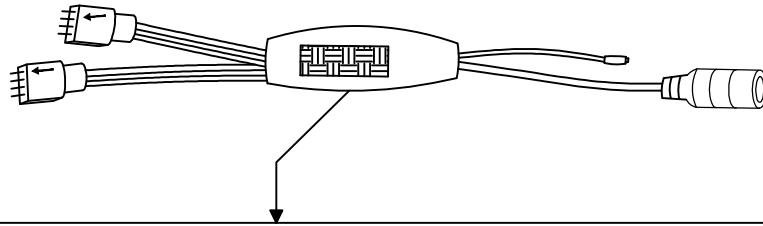
<p>A</p> 	<p>B</p>  <p>M8X45mm</p> <p>6PCS</p>	<p>K</p>  <p>6PCS</p>	<p>N</p>  <p>1PC</p>
--	--	--	---



# Step 16

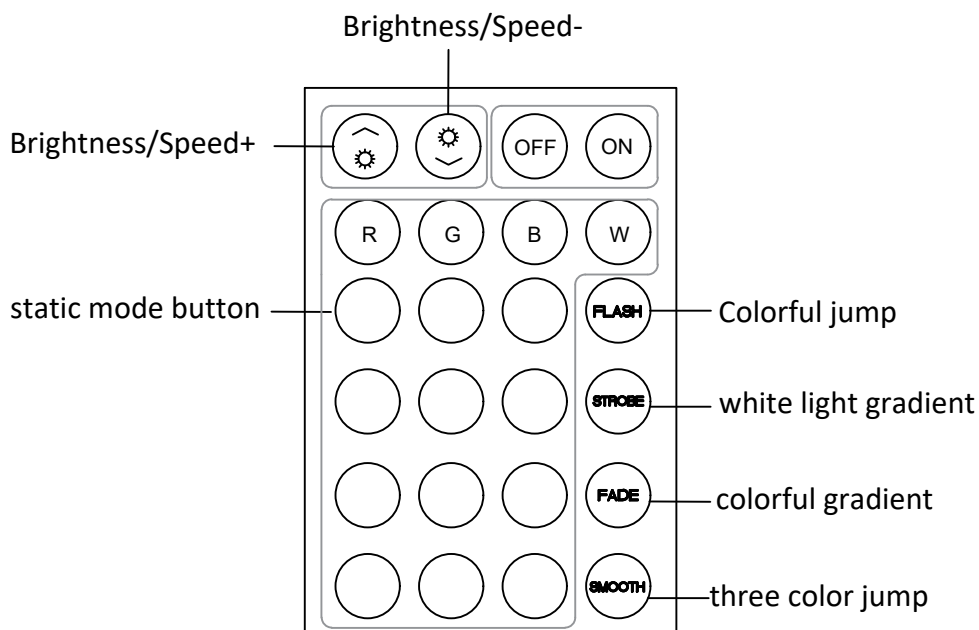
<p>Q</p>  <p>1PC</p>	<p>R</p>  <p>1PC</p>
---	---





**NOTICE:**

You can scan the QR code here and download an app that can control the color of the light strip like a remote control. When your phone plays music through the app, the color of the light strip will also change according to the strength of the music.



**NOTICE:**

When you use the remote control board to control the color of the light, Please remove the clear plastic card first, then please be sure to point the remote control at the color controller .