

ASSEMBLY INSTRUCTIONS



Fine Furniture for every stage of life

POWER RECLINING SOFA

ASSEMBLY INSTRUCTIONS

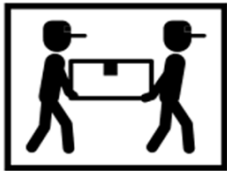
ASSEMBLY TIPS:

- 1.Remove hardware from box and sort by size.
- 2.Please check to see that all hardware and parts are present prior to start of assembly.
- 3.Please follow attached instruction in the same sequence as numbered to assure fast & easy assembly.



WARNING!

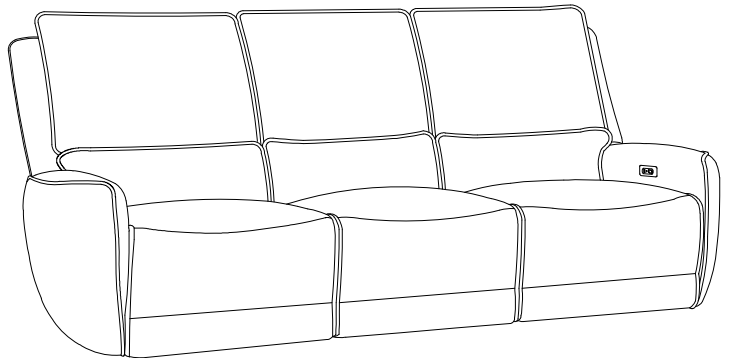
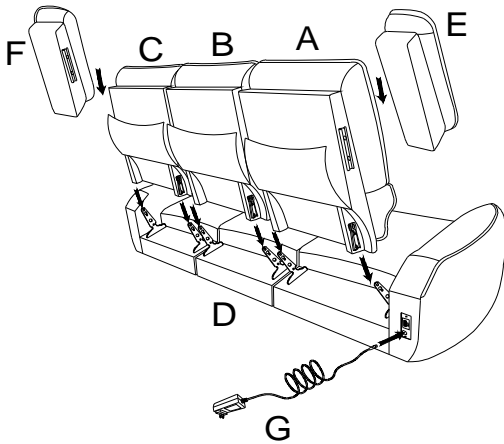
- 1.Don't attempt to repair or modify parts that are broken or defective. Please contact the store immediately.
- 2.This product is for home use only and not intended for commercial establishment.



ASSEMBLY TIME

10 MINUTES

PARTS IDENTIFICATION

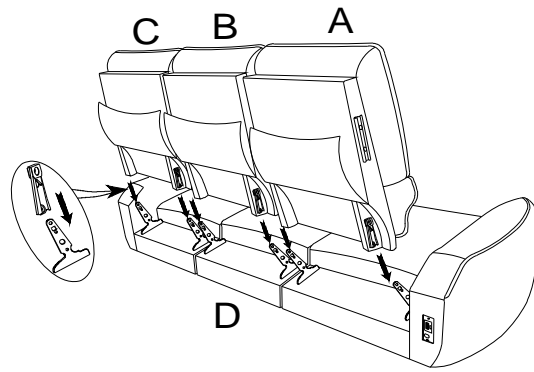


PARTS LIST

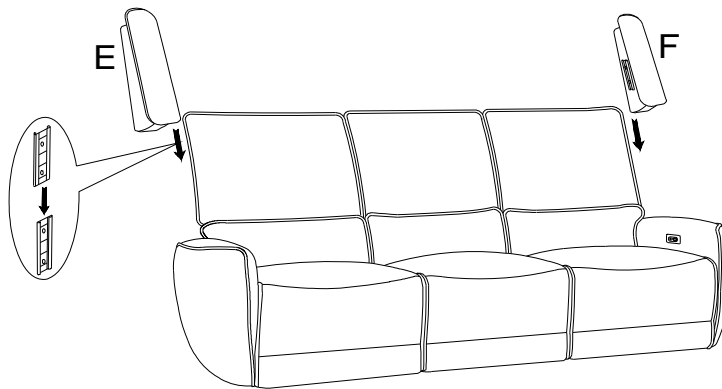
A		LEFT BACK CUSHION	1PC
B		MIDDLE BACK CUSHION	1PC
C		RIGHT BACK CUSHION	1PC
D		BASE	1PC
E		LEFT EAR	1PC
F		RIGHT EAR	1PC
G		PLUG-IN POWER SUPPLY	1PC

ASSEMBLY INSTRUCTIONS

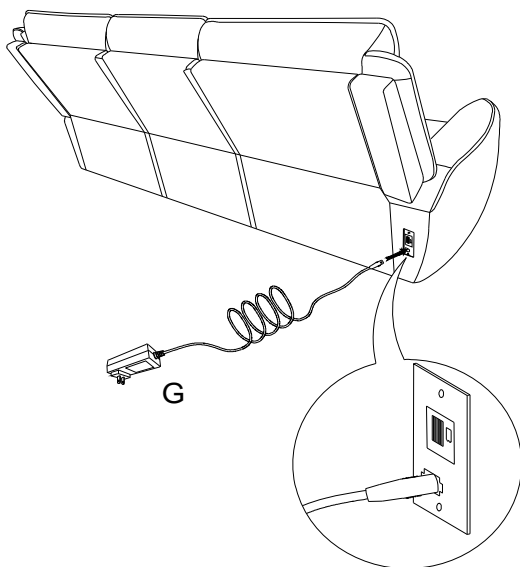
STEP 1



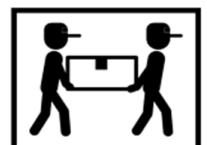
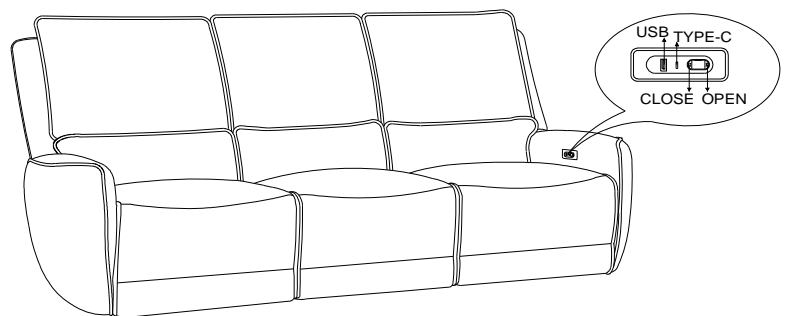
STEP 2



STEP 3



STEP 4

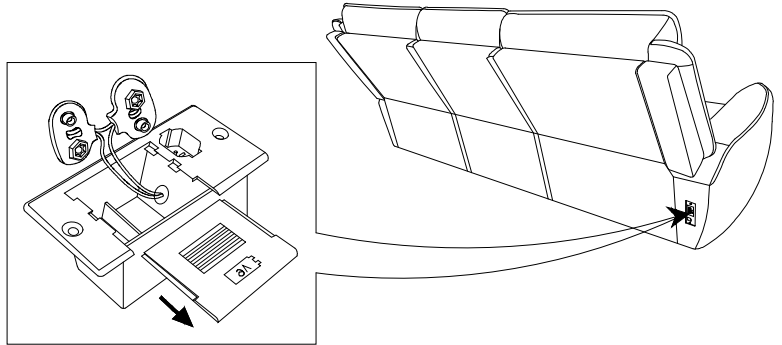


ASSEMBLY INSTRUCTIONS

Please follow below steps to install the 9V batteries when there is no power to operate the motion sofa.(Any model of 9V battery is applicable)

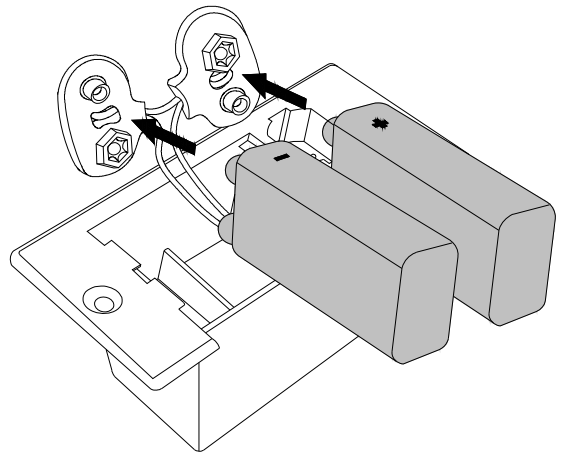
STEP 1

Open the marked battery door on the backup battery box.



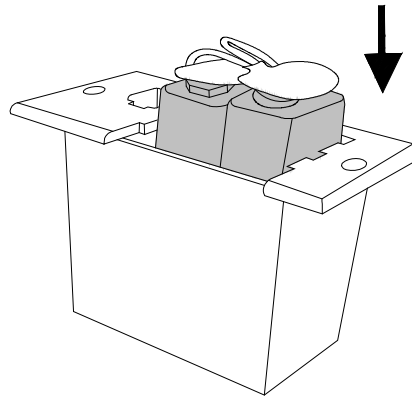
STEP 2

Install two 9V batteries in the backup battery box.(batteries are not included)



STEP 3

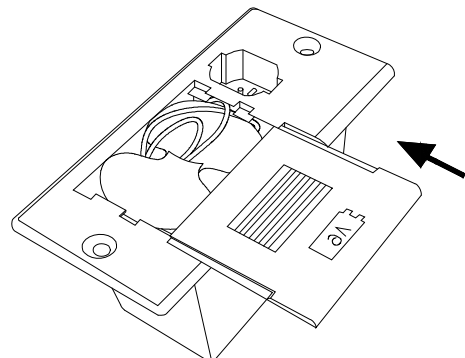
Push the batteries in.



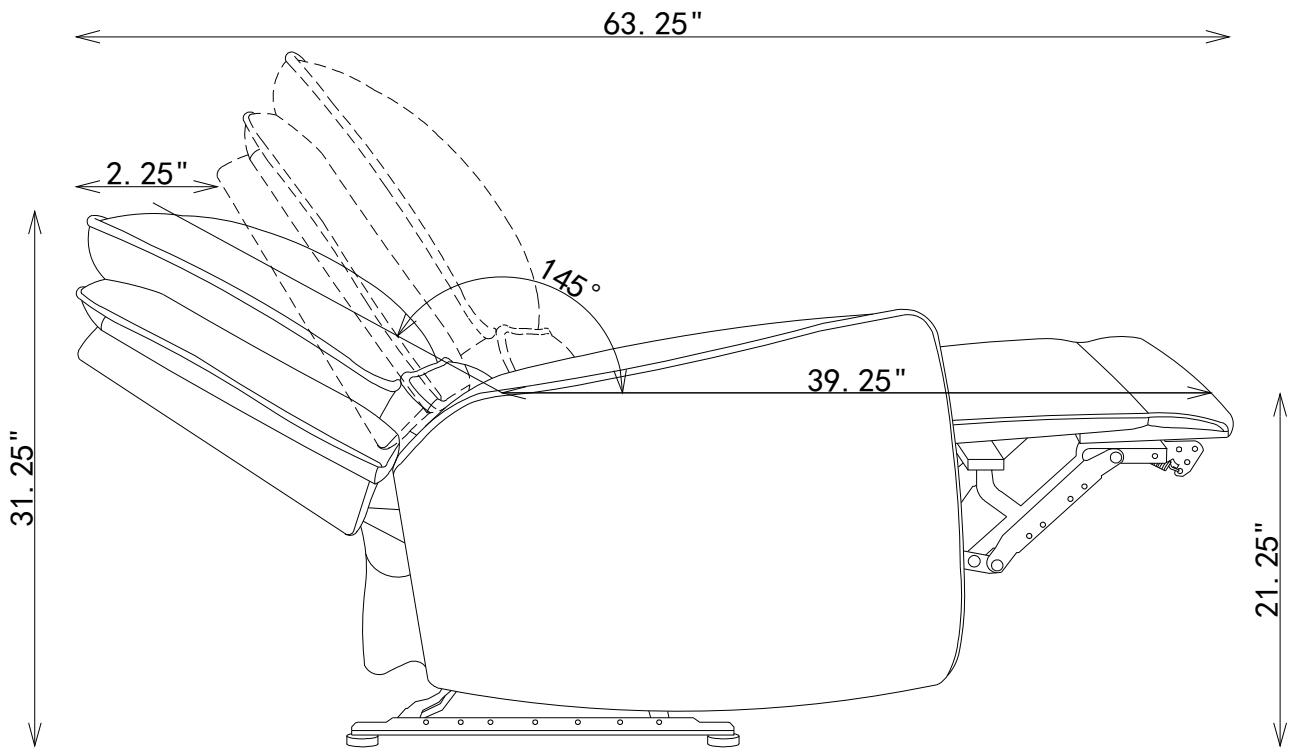
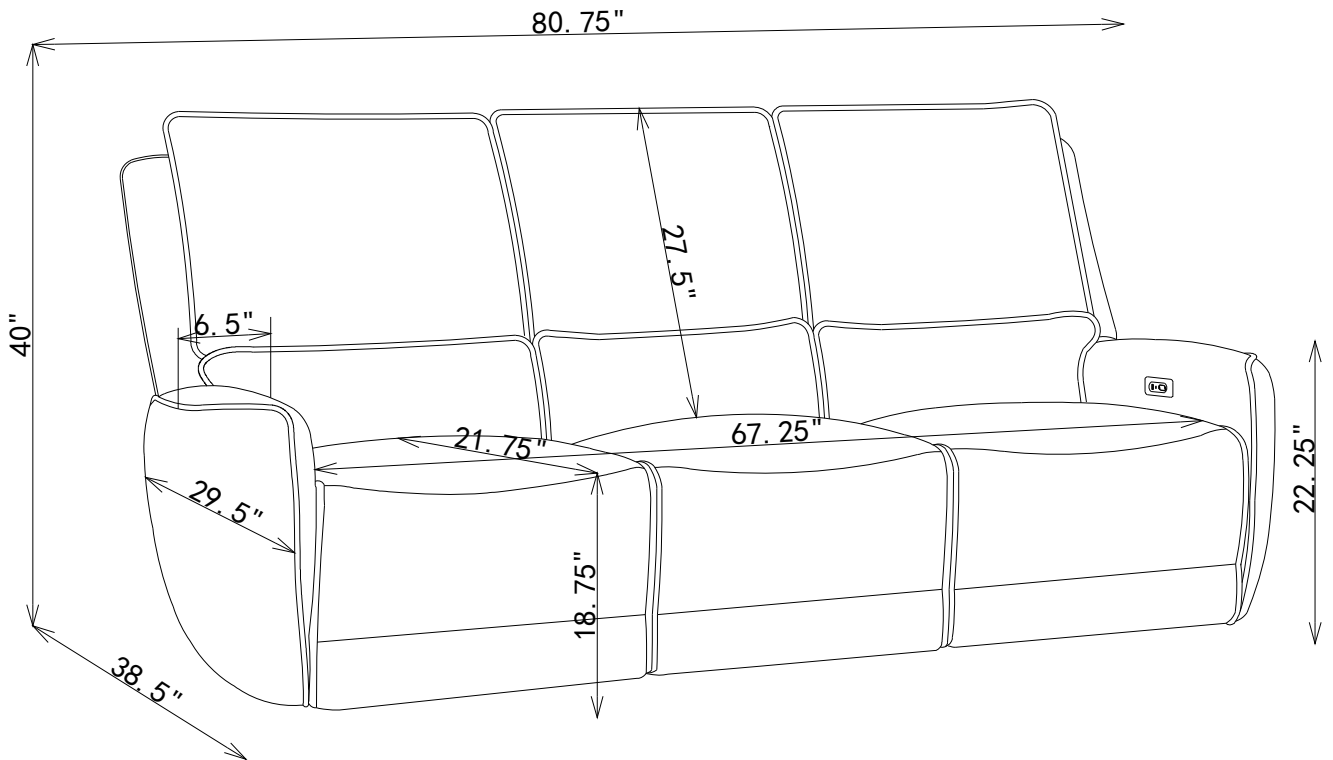
STEP 4

Close the box door.

Notice: Please don't keep the battery in the box when the power motion sofa is under daily use with power supply.



ASSEMBLY INSTRUCTIONS



ASSEMBLY INSTRUCTIONS



Fine Furniture for every stage of life

POWER RECLINING LOVESEAT

ASSEMBLY INSTRUCTIONS

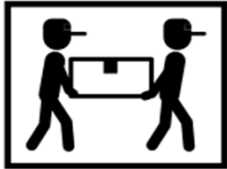
ASSEMBLY TIPS:

- 1.Remove hardware from box and sort by size.
- 2.Please check to see that all hardware and parts are present prior to start of assembly.
- 3.Please follow attached instruction in the same sequence as numbered to assure fast & easy assembly.



WARNING!

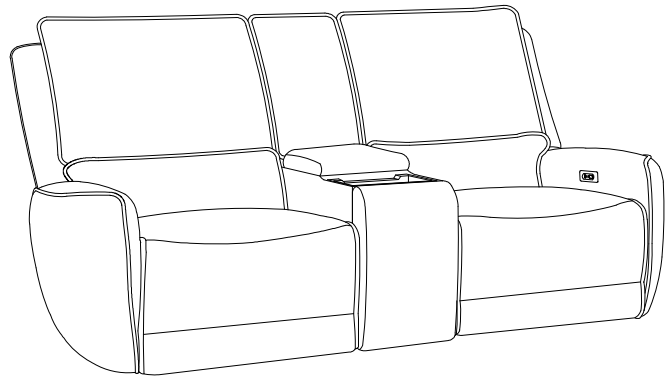
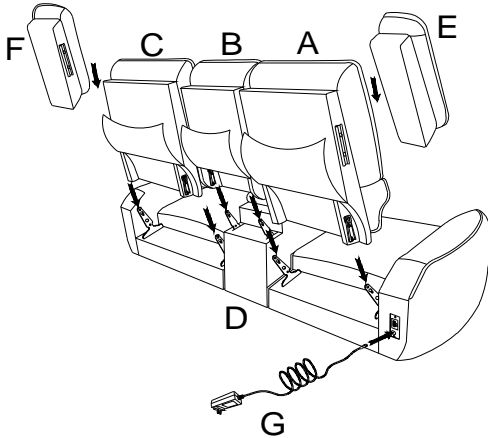
- 1.Don't attempt to repair or modify parts that are broken or defective. Please contact the store immediately.
- 2.This product is for home use only and not intended for commercial establishment.



ASSEMBLY TIME

10 MINUTES

PARTS IDENTIFICATION

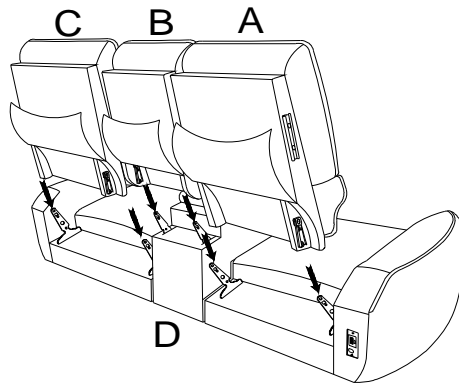


PARTS LIST

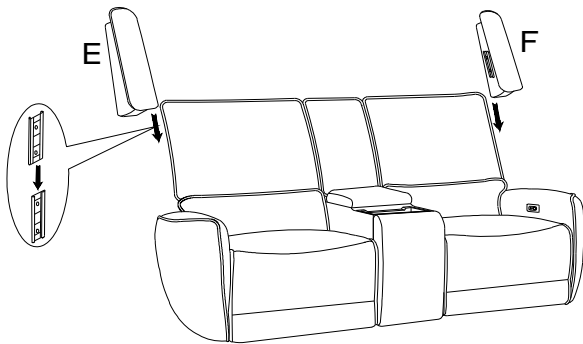
A		LEFT BACK CUSHION	1PC
B		MIDDLE BACK CUSHION	1PC
C		RIGHT BACK CUSHION	1PC
D		BASE	1PC
E		LEFT EAR	1PC
F		RIGHT EAR	1PC
G		PLUG-IN POWER SUPPLY	1PC

ASSEMBLY INSTRUCTIONS

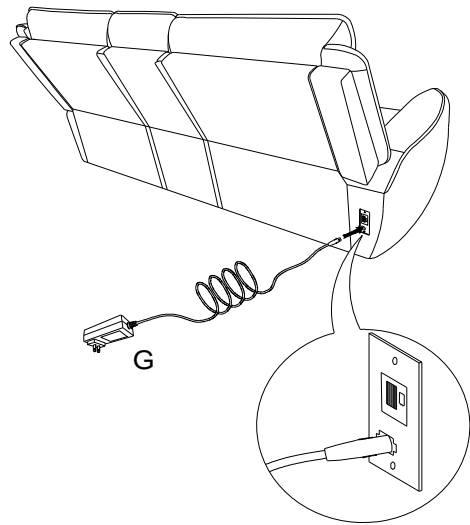
STEP 1



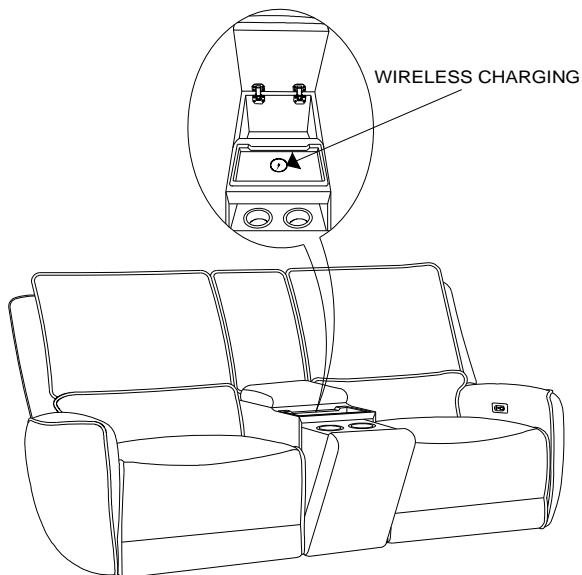
STEP 2



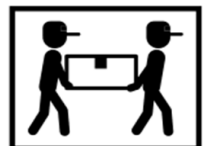
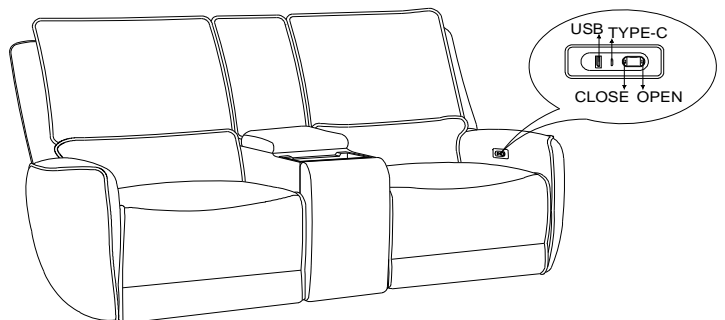
STEP 3



STEP 4



STEP 5

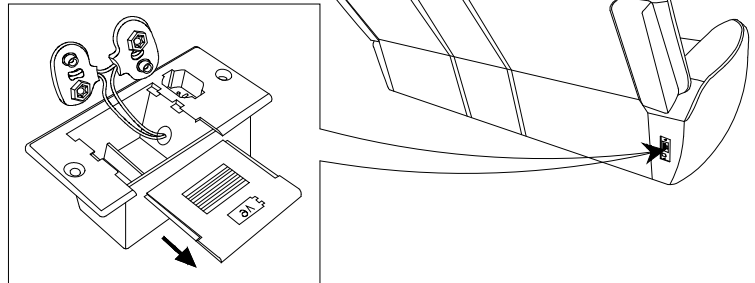


ASSEMBLY INSTRUCTIONS

Please follow below steps to install the 9V batteries when there is no power to operate the motion sofa.(Any model of 9V battery is applicable)

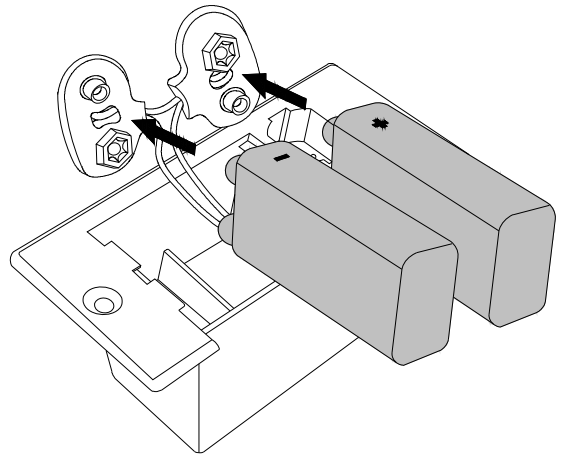
STEP 1

Open the marked battery door on the backup battery box.



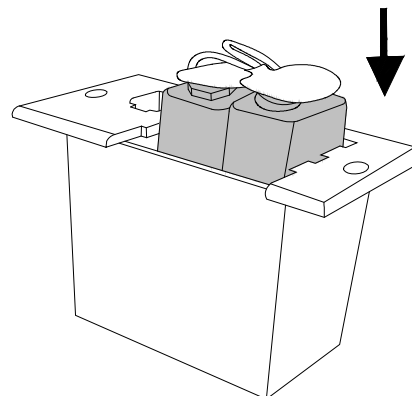
STEP 2

Install two 9V batteries in the backup battery box.(batteries are not included)



STEP 3

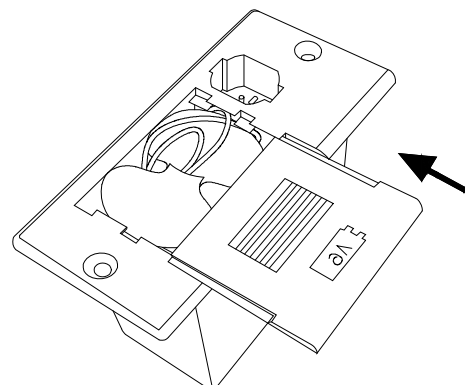
Push the batteries in.



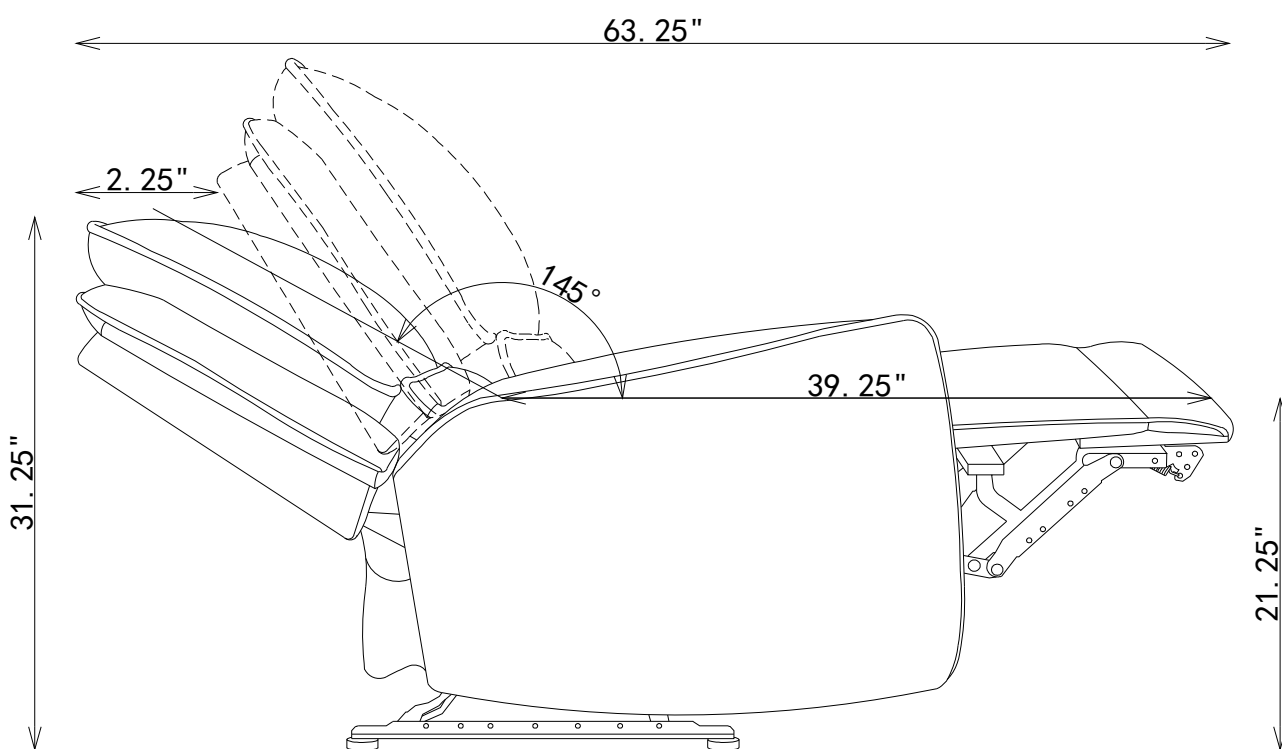
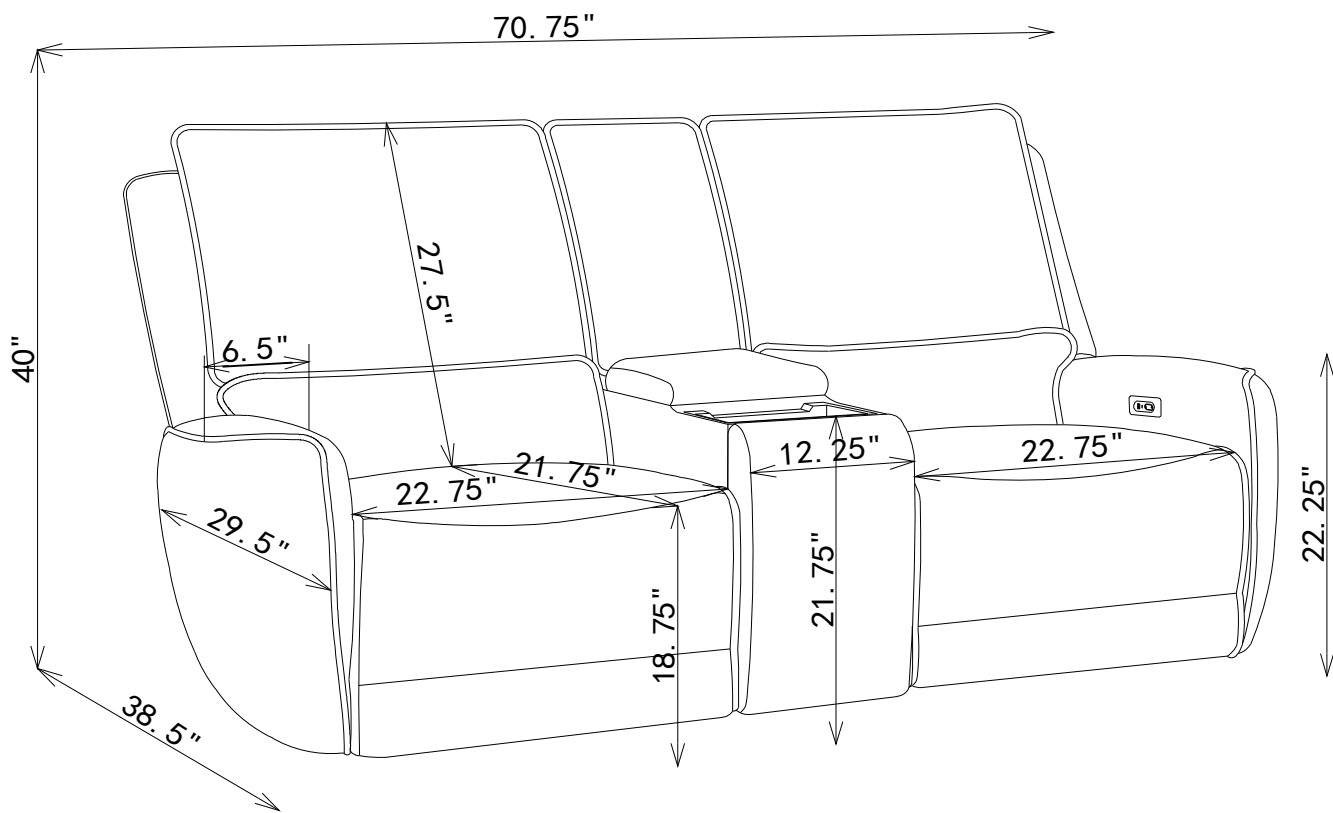
STEP 4

Close the box door.

Notice: Please don't keep the battery in the box when the power motion sofa is under daily use with power supply.



ASSEMBLY INSTRUCTIONS



ASSEMBLY INSTRUCTIONS



Fine Furniture for every stage of life

POWER RECLINER

ASSEMBLY INSTRUCTIONS

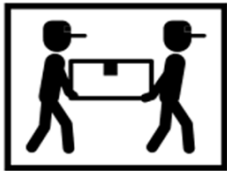
ASSEMBLY TIPS:

- 1.Remove hardware from box and sort by size.
- 2.Please check to see that all hardware and parts are present prior to start of assembly.
- 3.Please follow attached instruction in the same sequence as numbered to assure fast & easy assembly.



WARNING!

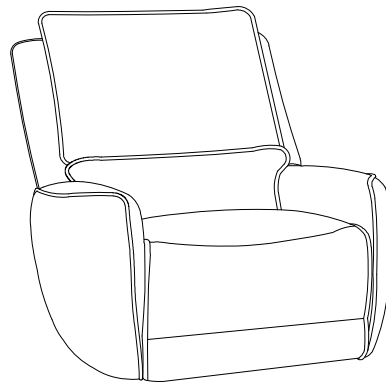
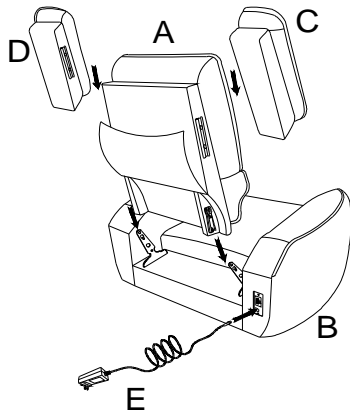
- 1.Don't attempt to repair or modify parts that are broken or defective. Please contact the store immediately.
- 2.This product is for home use only and not intended for commercial establishment.








ASSEMBLY TIME

10 MINUTES

PARTS IDENTIFICATION

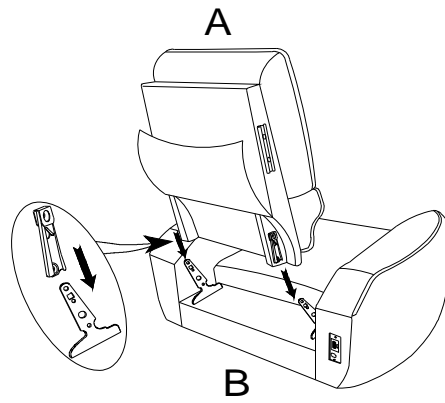


PARTS LIST

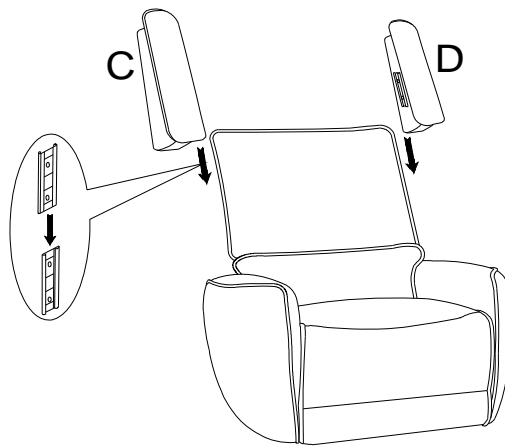
A		BACK CUSHION	1PC
B		BASE	1PC
C		LEFT EAR	1PC
D		RIGHT EAR	1PC
E		PLUG-IN POWER SUPPLY	1PC

ASSEMBLY INSTRUCTIONS

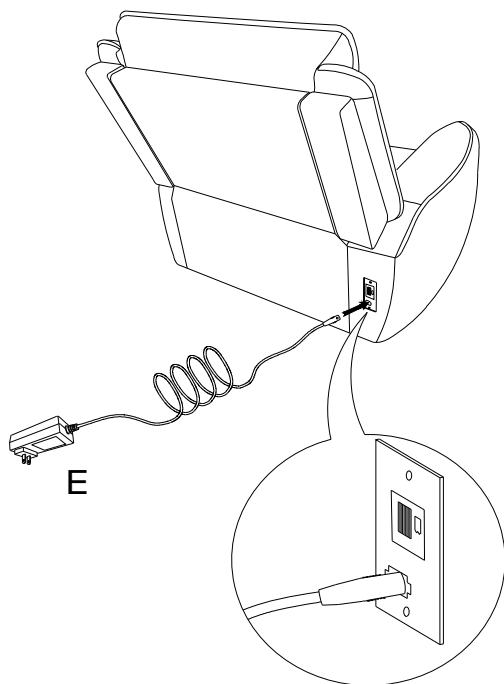
STEP 1



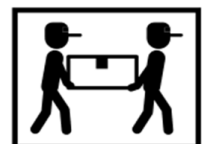
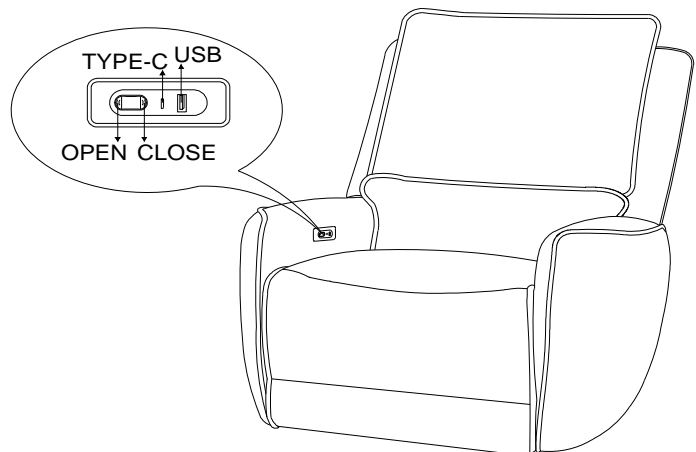
STEP 2



STEP 3



STEP 4

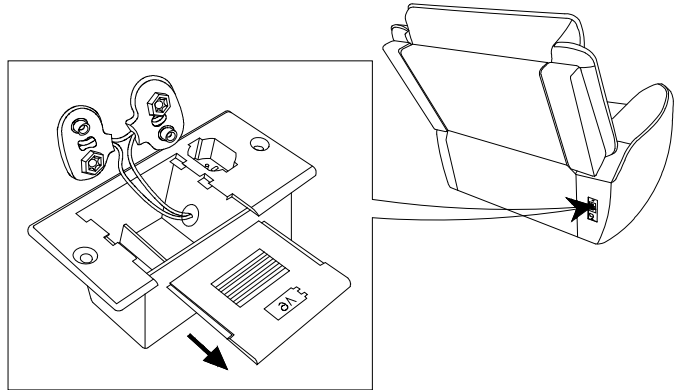


ASSEMBLY INSTRUCTIONS

Please follow below steps to install the 9V batteries when there is no power to operate the motion sofa.(Any model of 9V battery is applicable)

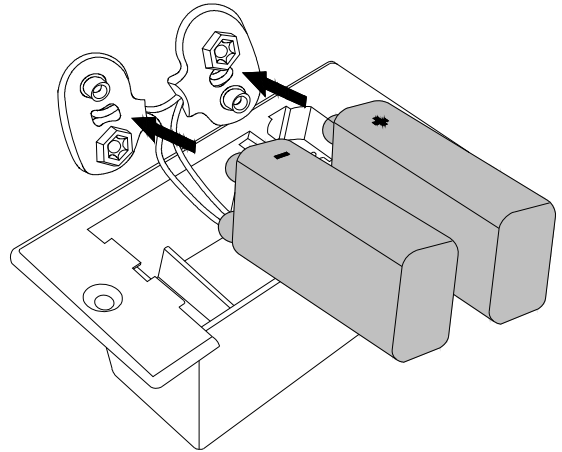
STEP 1

Open the marked battery door on the backup battery box.



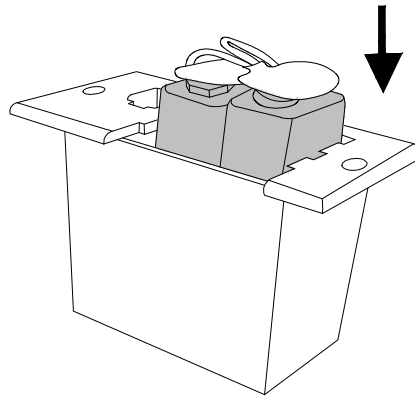
STEP 2

Install two 9V batteries in the backup battery box.(batteries are not included)



STEP 3

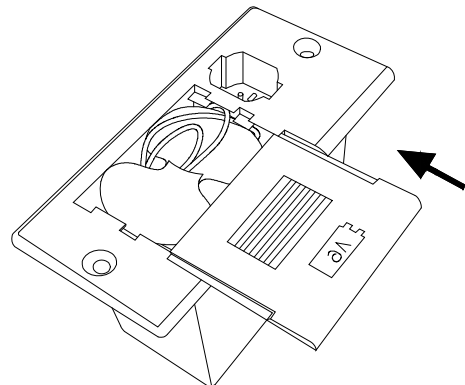
Push the batteries in.



STEP 4

Close the box door.

Notice: Please don't keep the battery in the box when the power motion sofa is under daily use with power supply.



ASSEMBLY INSTRUCTIONS

