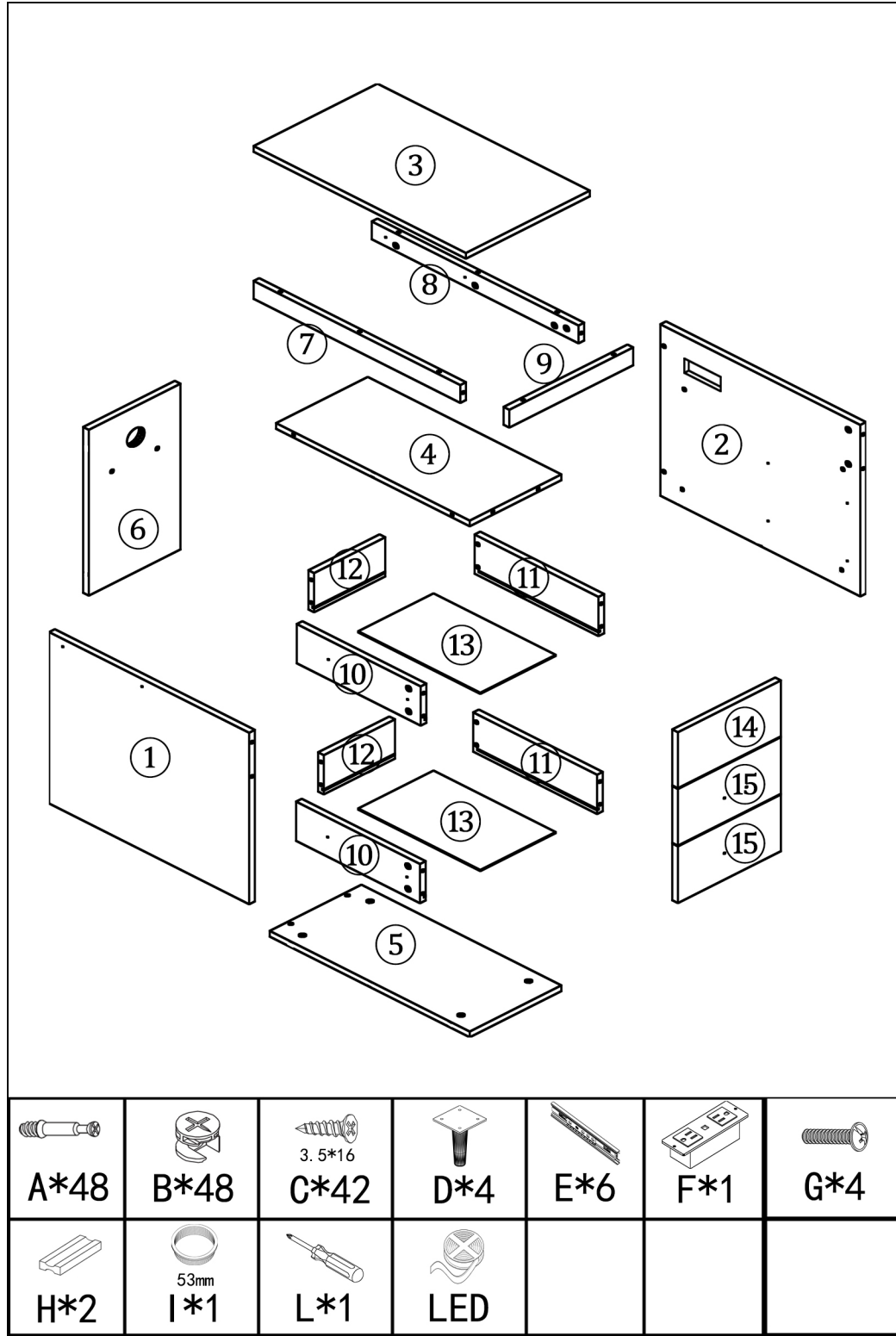


# ASSEMBLY INSTRUCTION

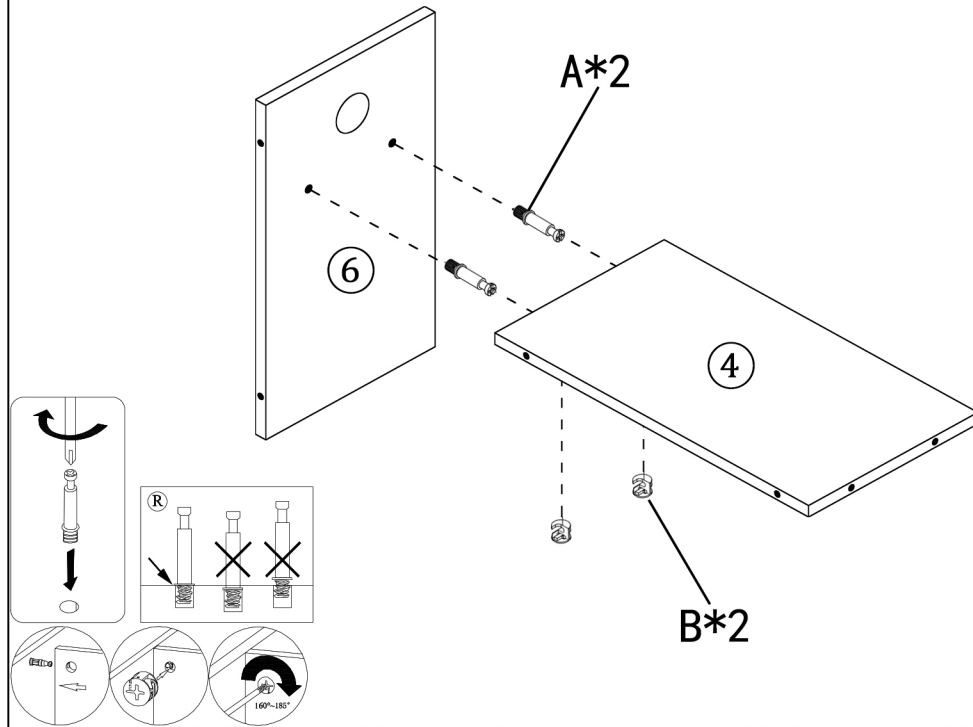
- It would be best if you set aside and organize all pieces & corresponding “nuts/bolts” first .
- Please follow the instructions to assemble the items correctly.
- Could be assembled by one person ,but would recommend two.
- Please ensure the safety of the glass when assembling.
- Do not make the screws too loose or too tight.
- As shown in the figure, Insert the screw into the hole.  
The arrow in the picture, Then rotate 90° or 180° clockwise.
- The remaining parts are spare parts.

## SAFETY INFORMATION

- The accessory bag contains some small accessories , which should be kept away from children.
- Kids are not allowed to climb or play with the product for safety reasons .

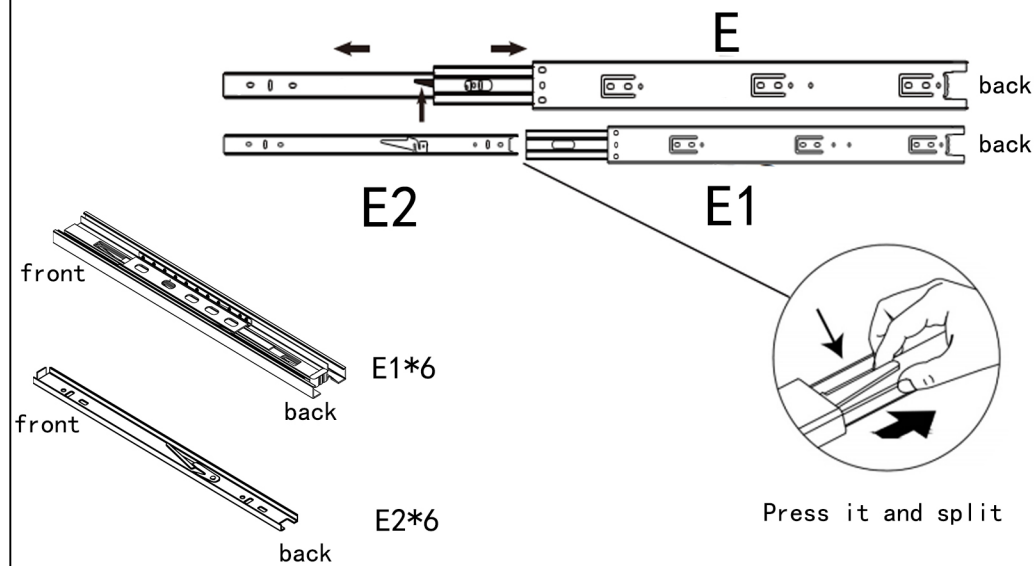


## STEP 1



## STEP 2

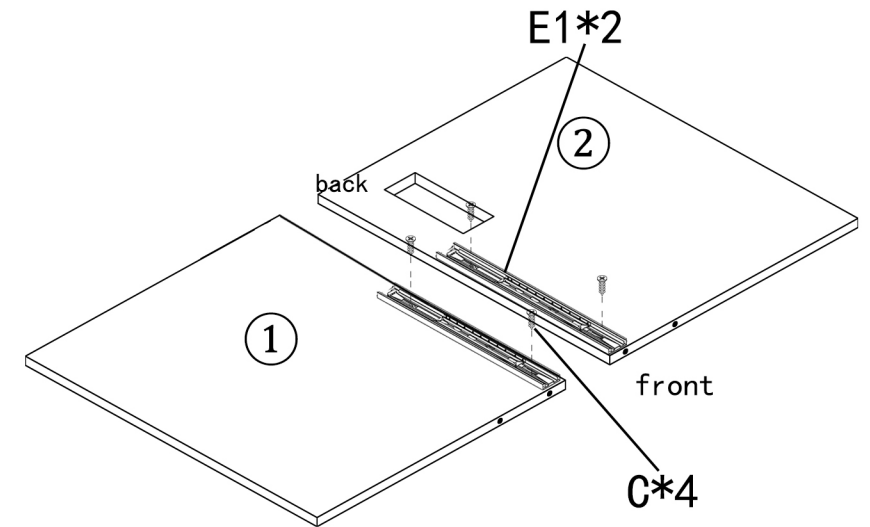
Warm Reminder:  
Before installing the drawer rail,  
you need to separate the E1 and E2 first.



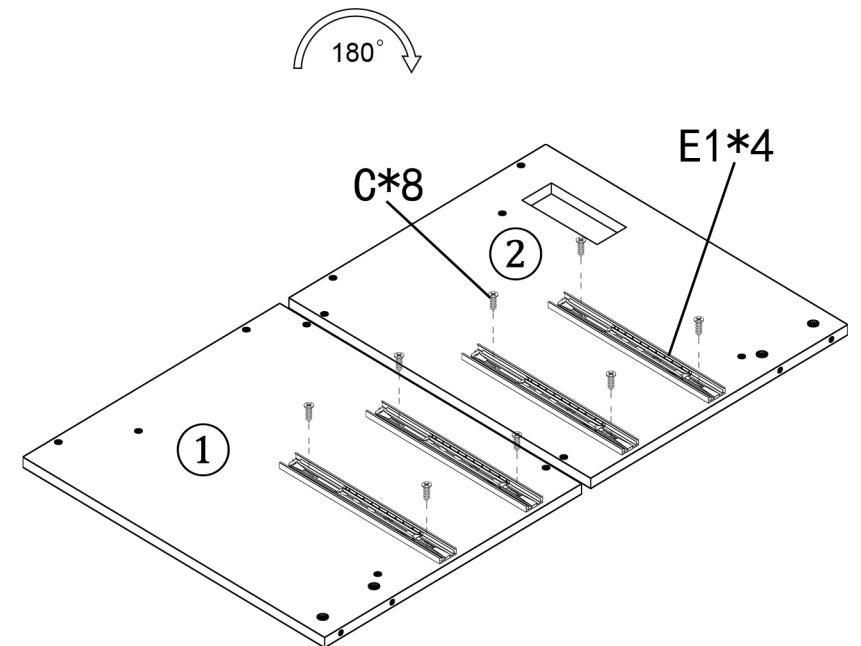
## STEP 3



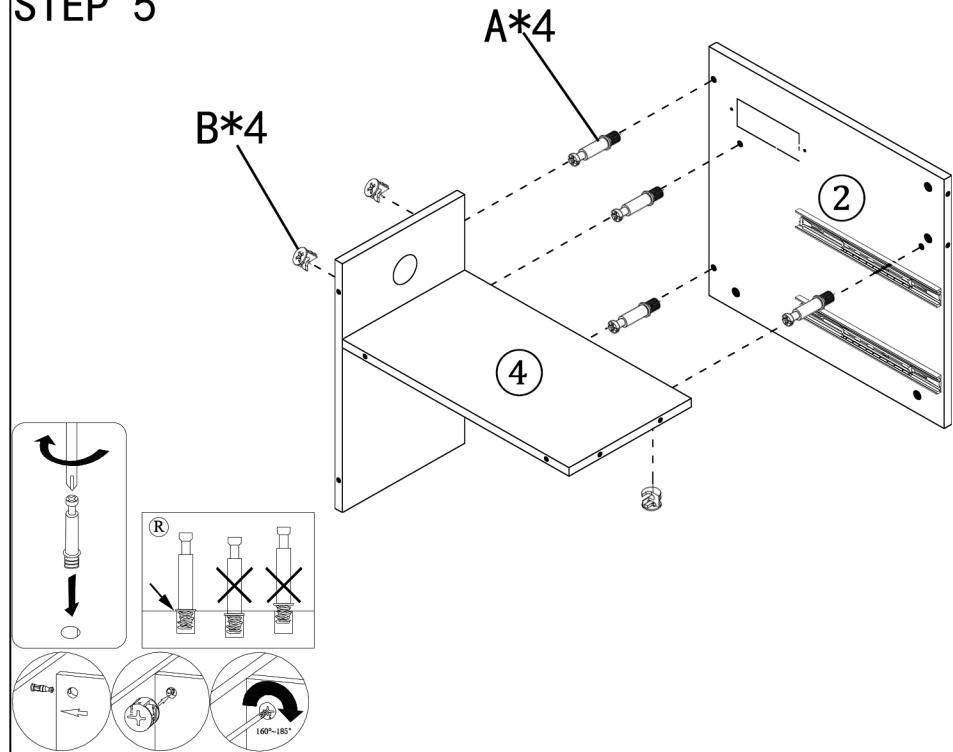
The first screw hole should corresponded with the board location hole



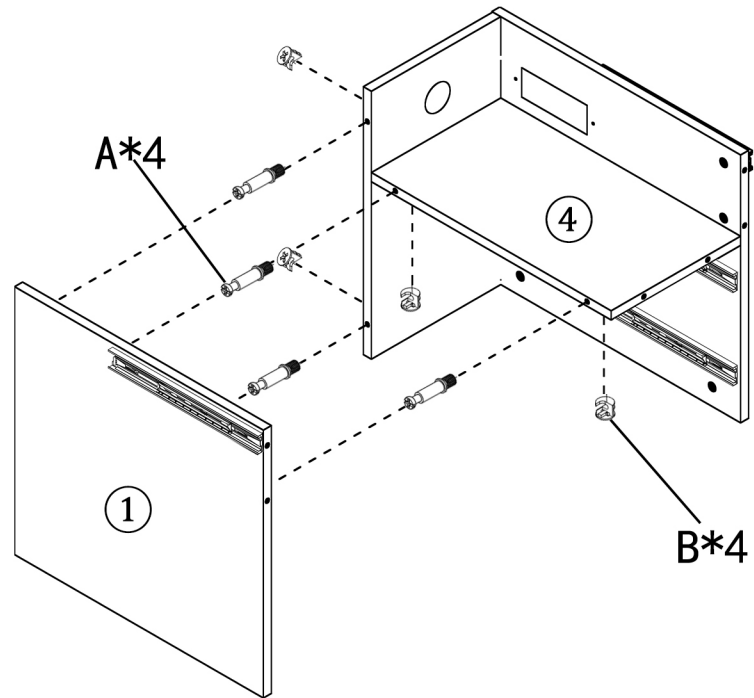
## STEP 4



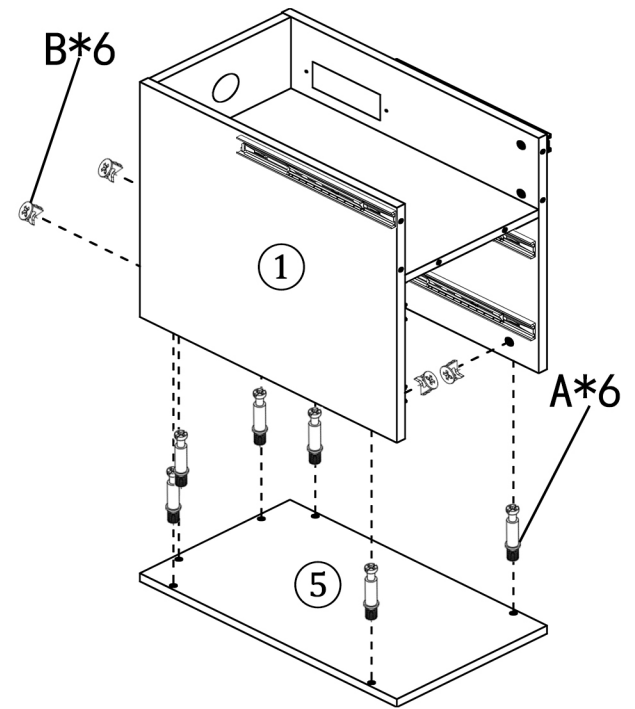
### STEP 5



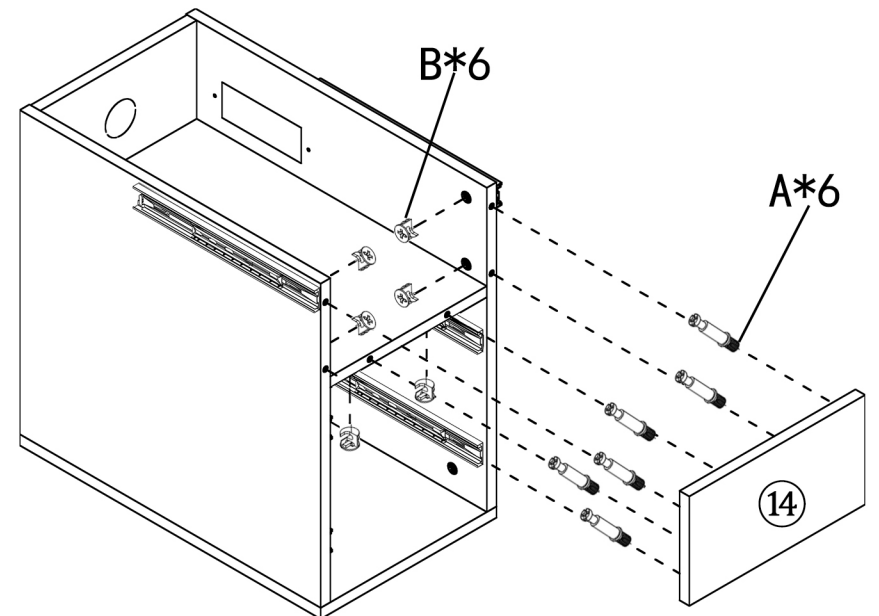
### STEP 6



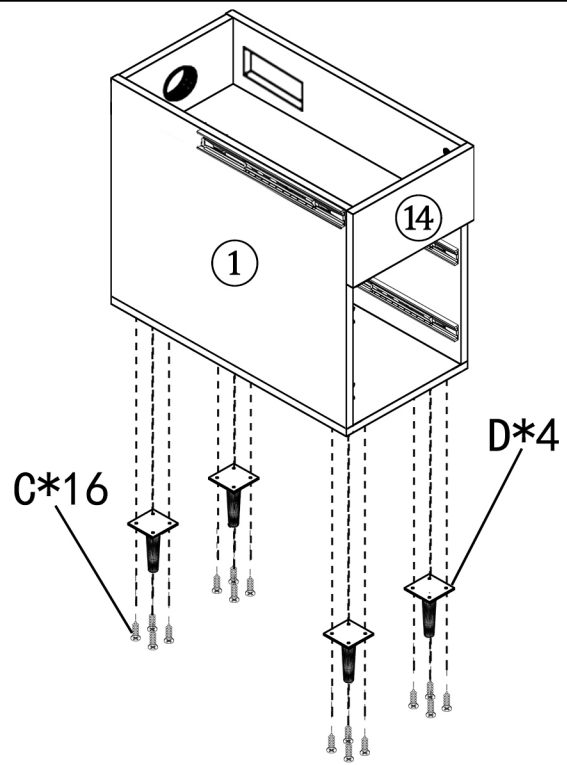
### STEP 7



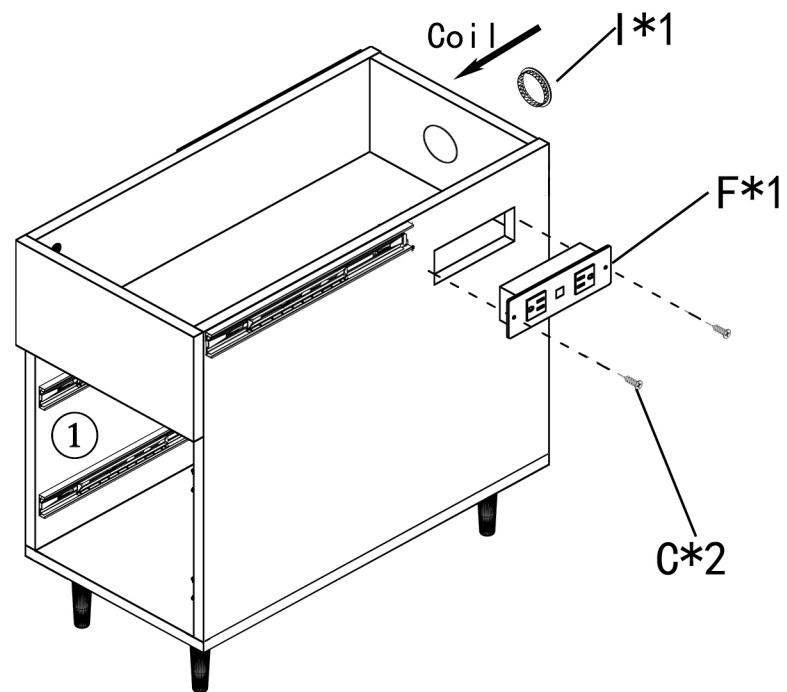
### STEP 8



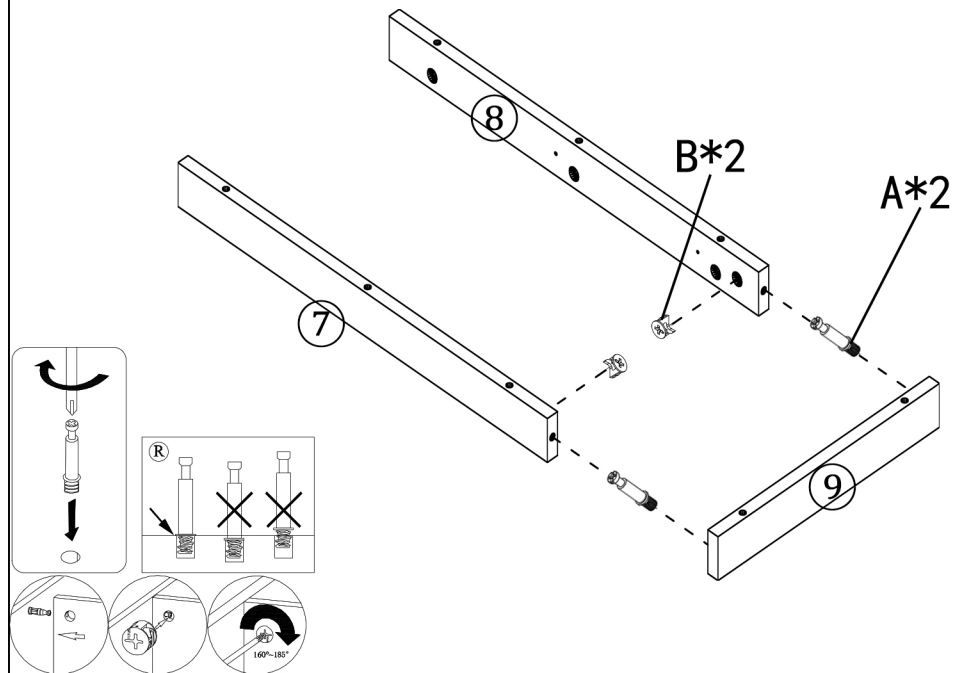
### STEP 9



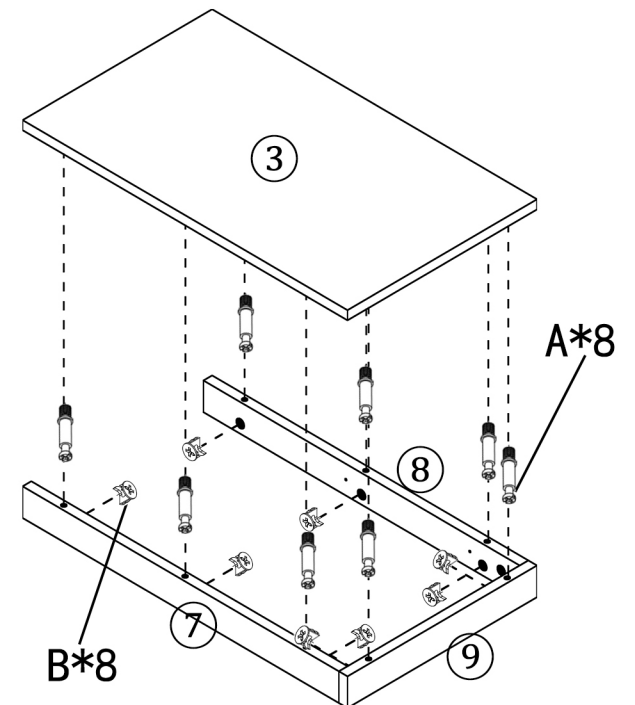
### STEP 10



### STEP 11



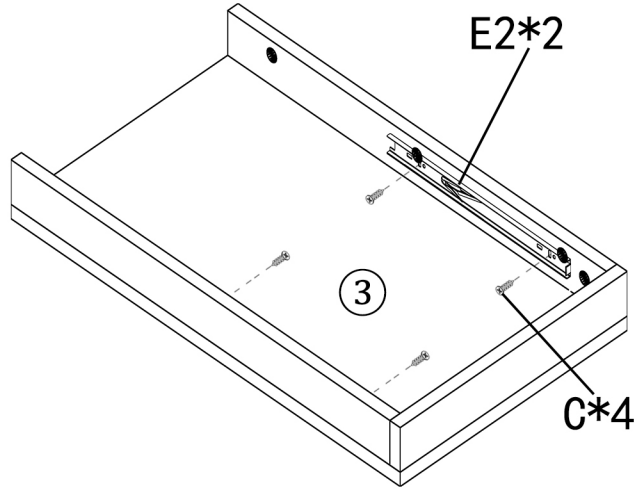
### STEP 12




### STEP 13

 back

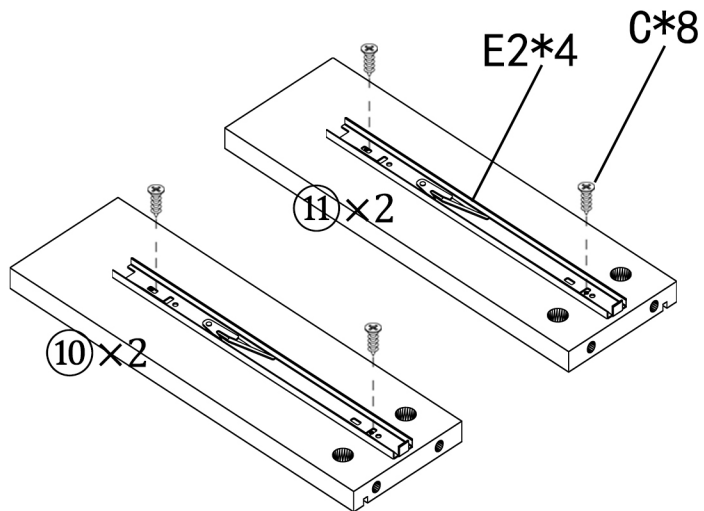
The first screw hole should corresponded with the board location hole



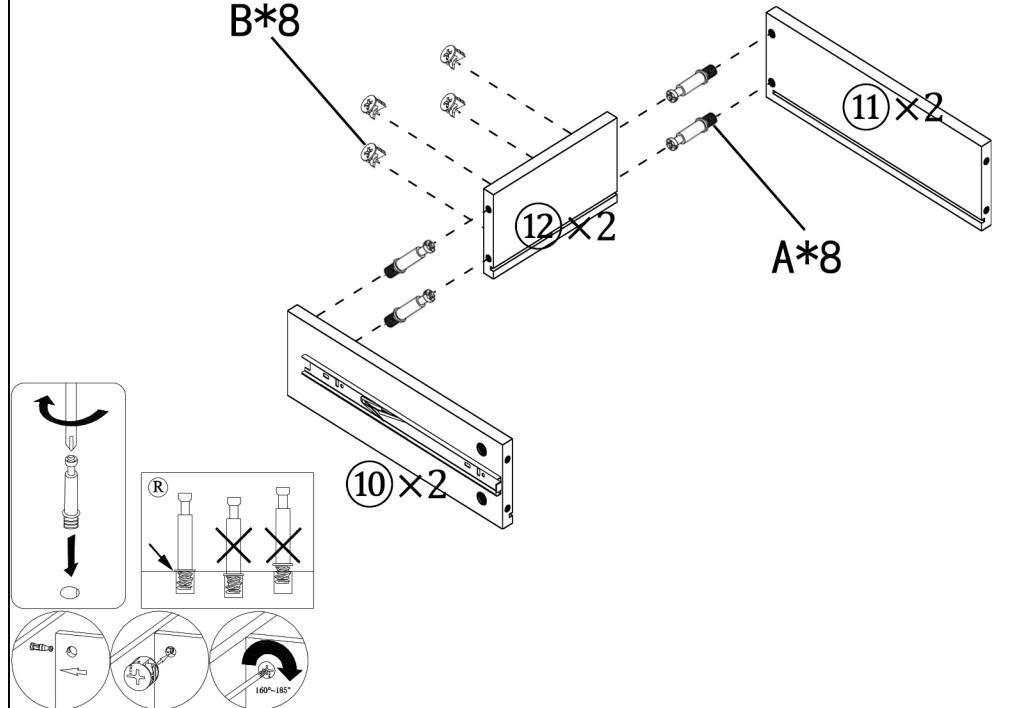
### STEP 14

 back

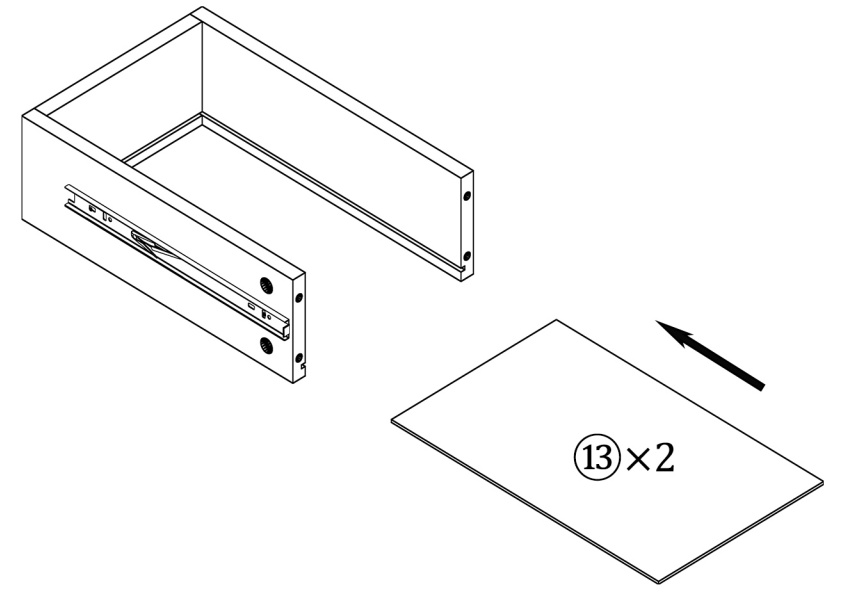
The first screw hole should corresponded with the board location hole



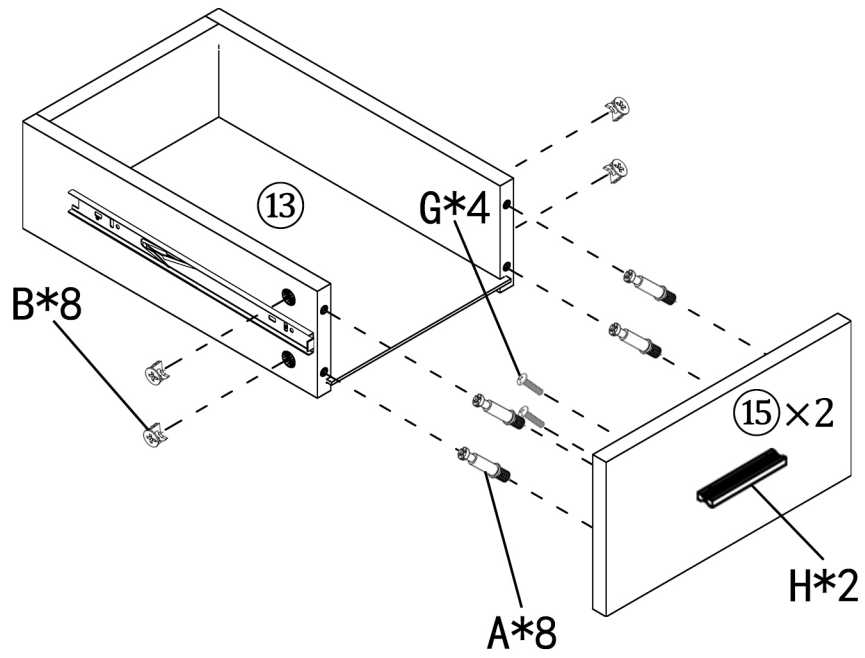
### STEP 15



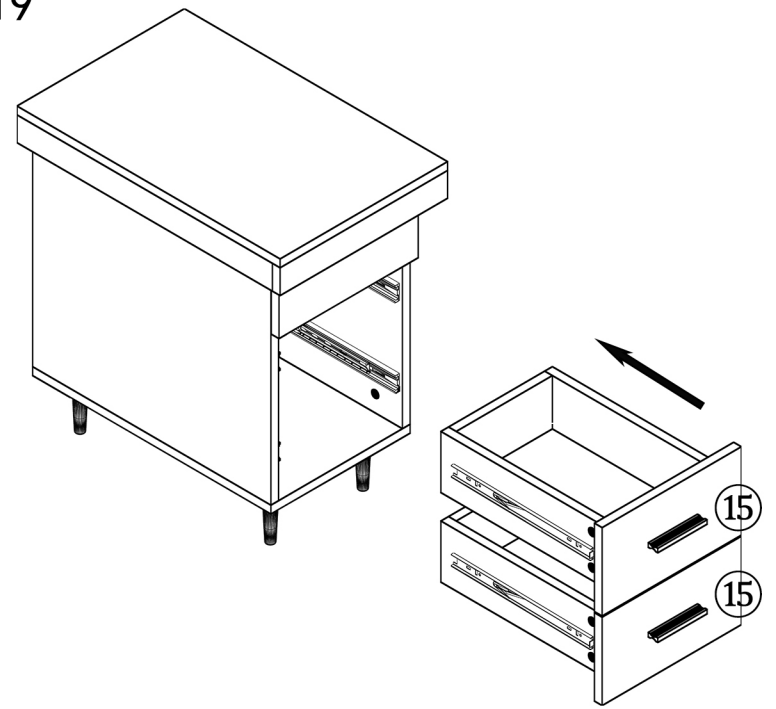
### STEP 16



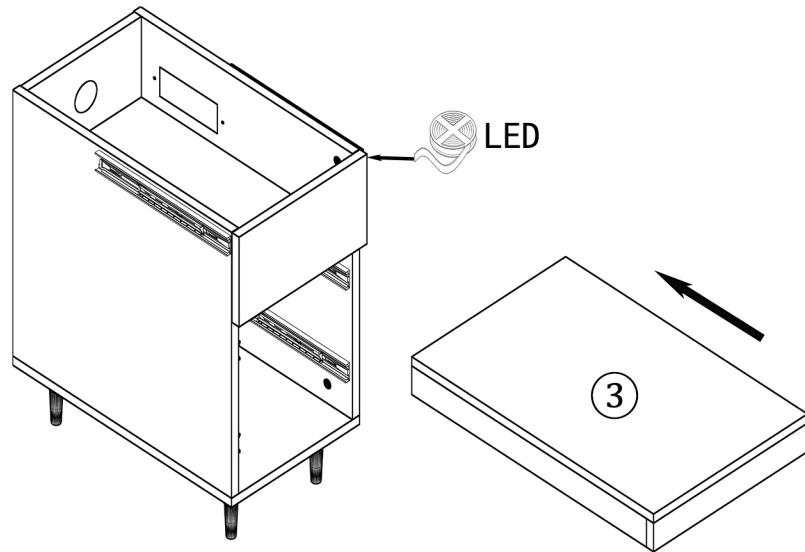
STEP 17



STEP 19



STEP 18



STEP 20

