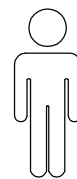
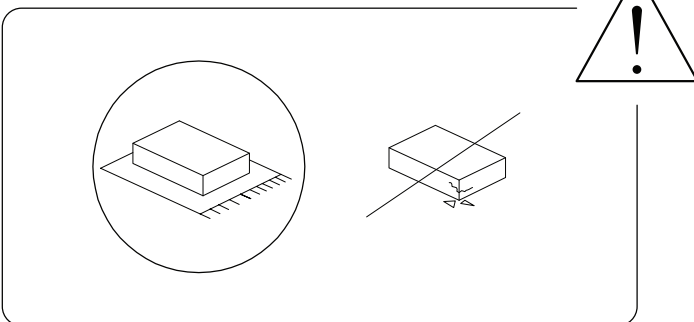
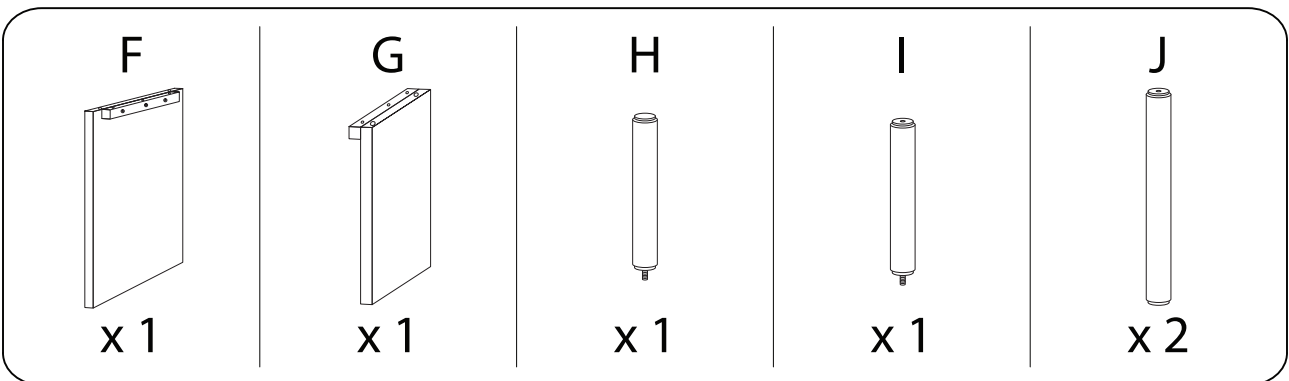
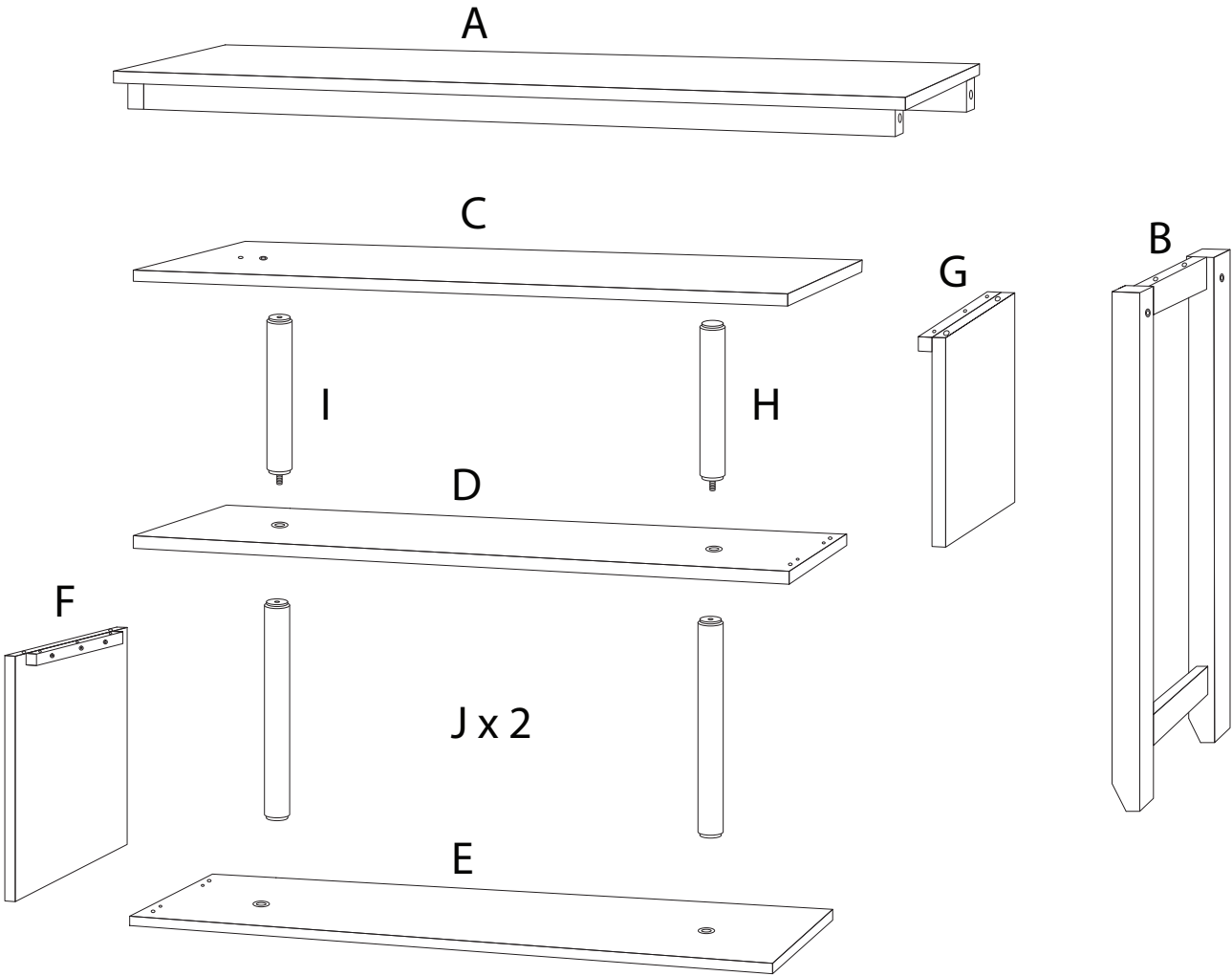
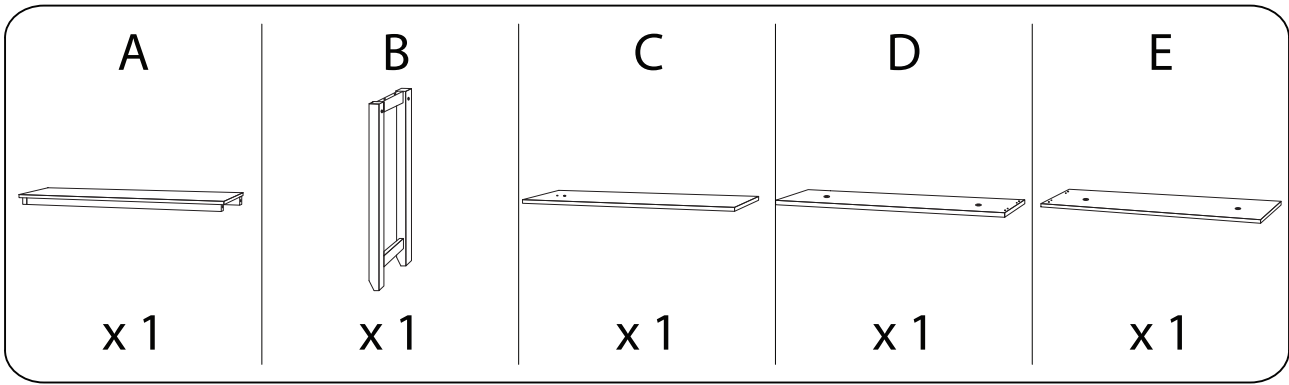


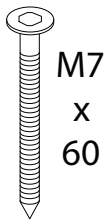
60'



1

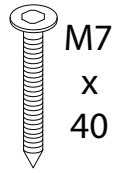


K



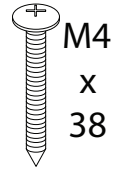
x 2

L



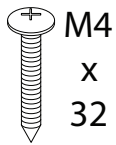
x 3

M



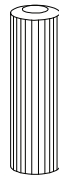
x 6

N



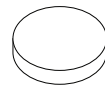
x 6

O



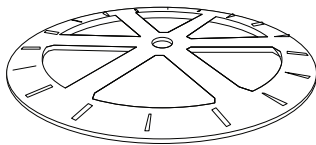
x 8

P



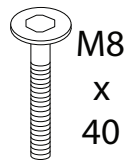
x 6

Q



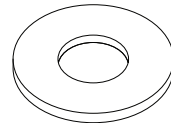
x 1

R



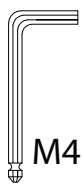
x 1

S



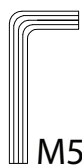
x 1

T



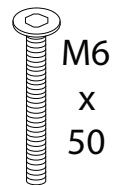
x 1

U



x 1

V



x 2

1

F



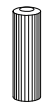
x1

G

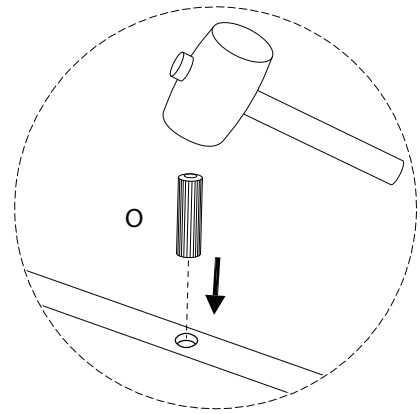
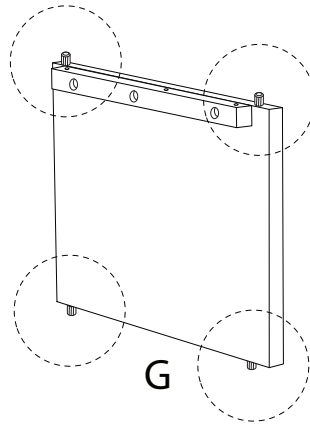
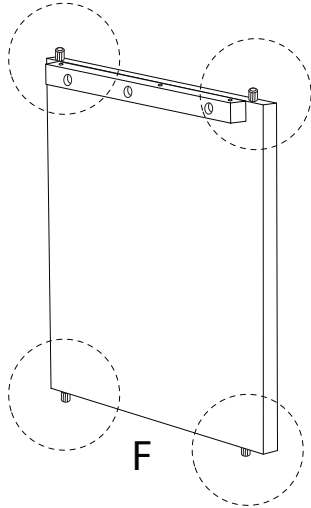


x1

O



x8



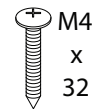
2

C



x1

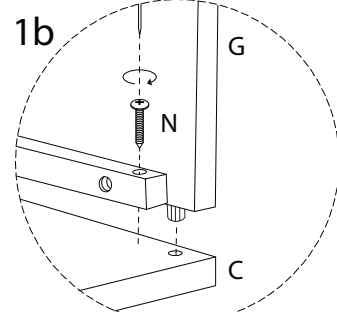
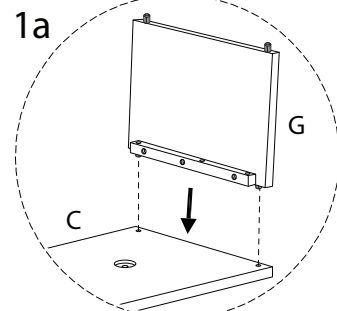
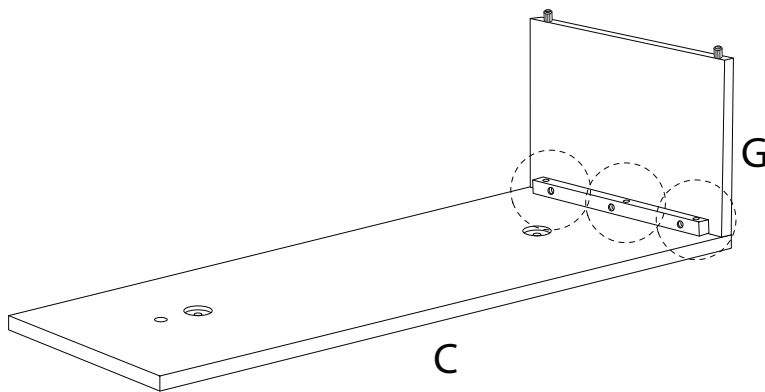
N



M4

x32

x3



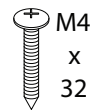
3

D

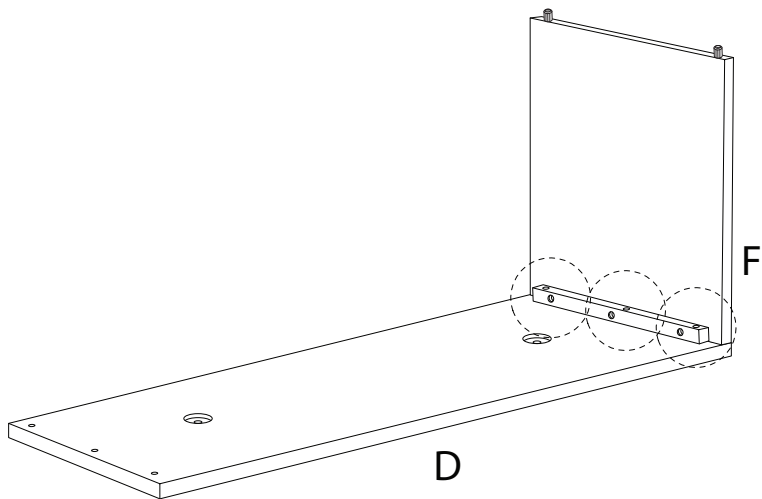


x 1

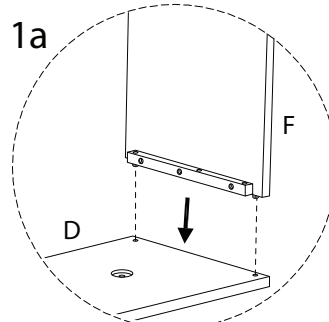
N



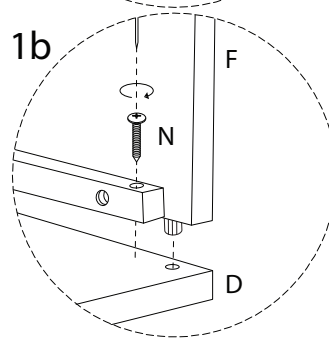
x 3



1a



1b



4

E

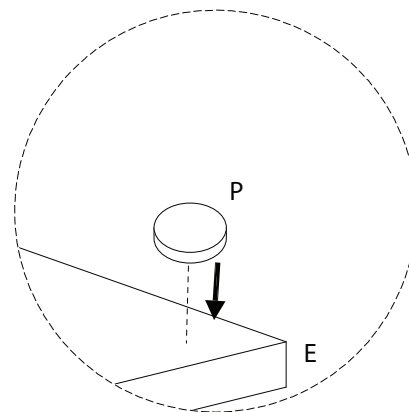
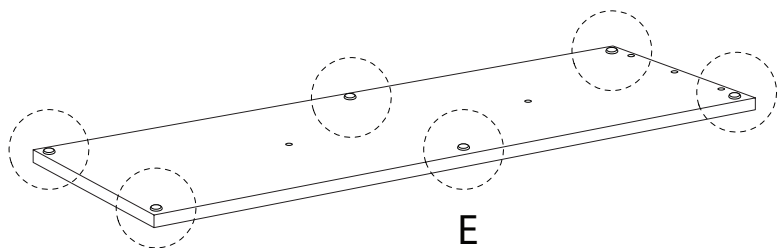


x 1

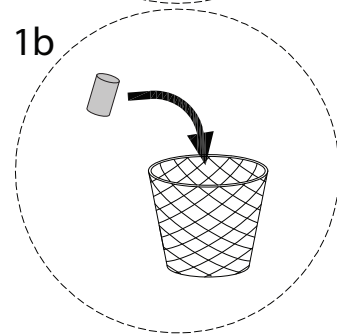
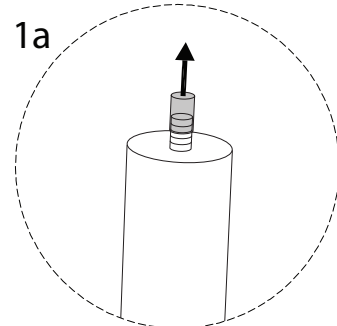
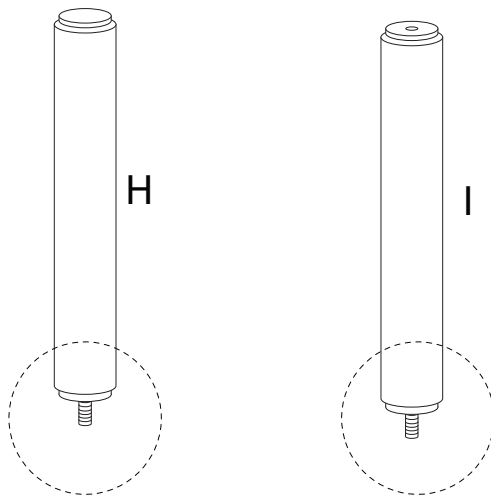
P



x 6



!

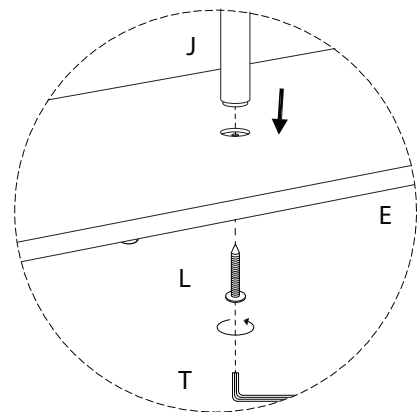
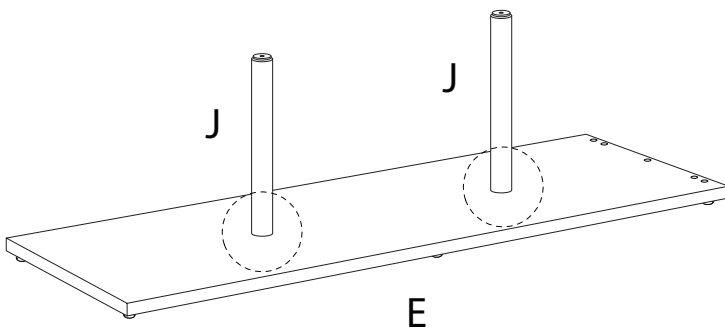


5

J  
x 2

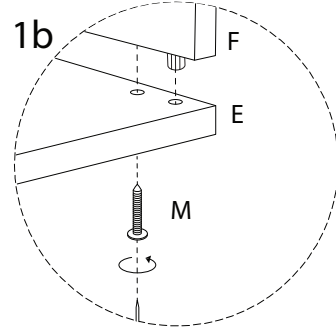
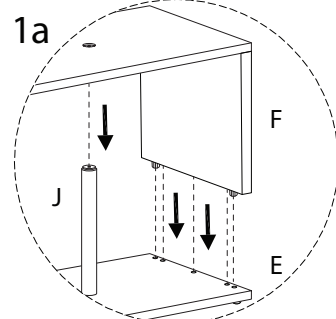
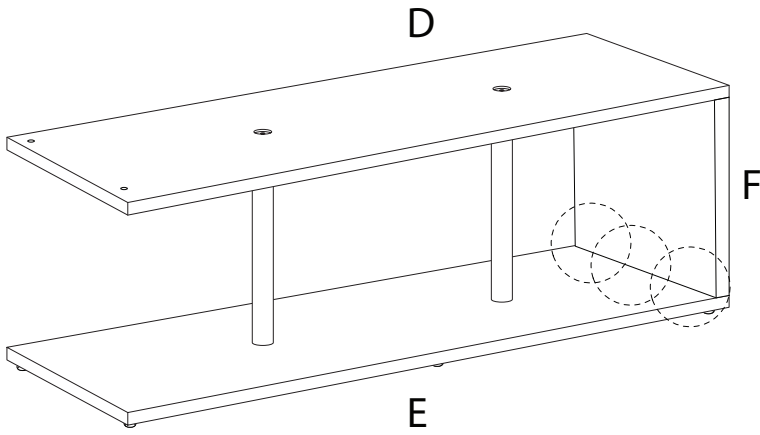
L  
M7  
x  
40  
x 2

T  
M4  
x 1



6

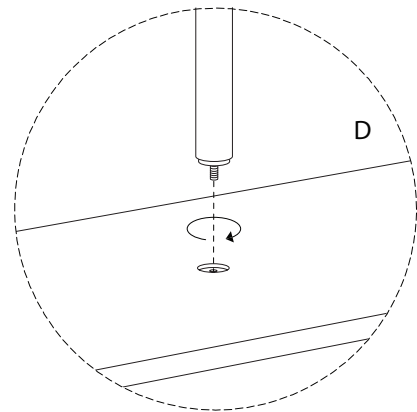
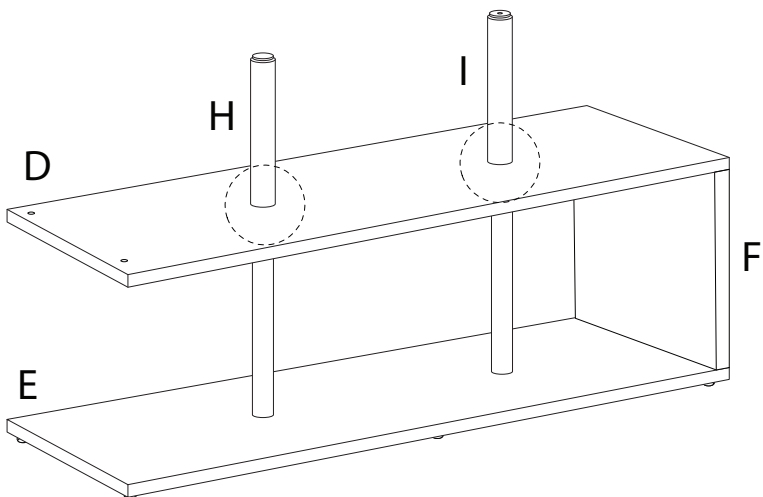
M  
M4  
x  
38  
x 3



7

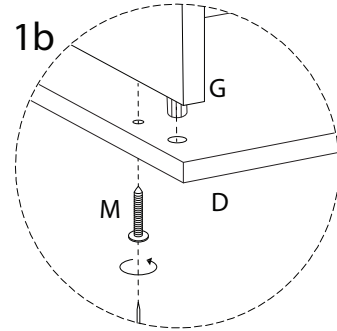
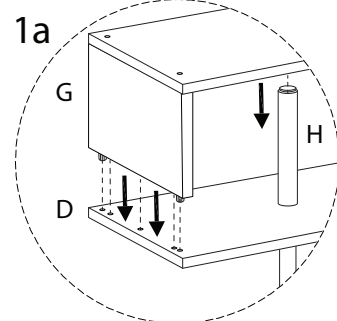
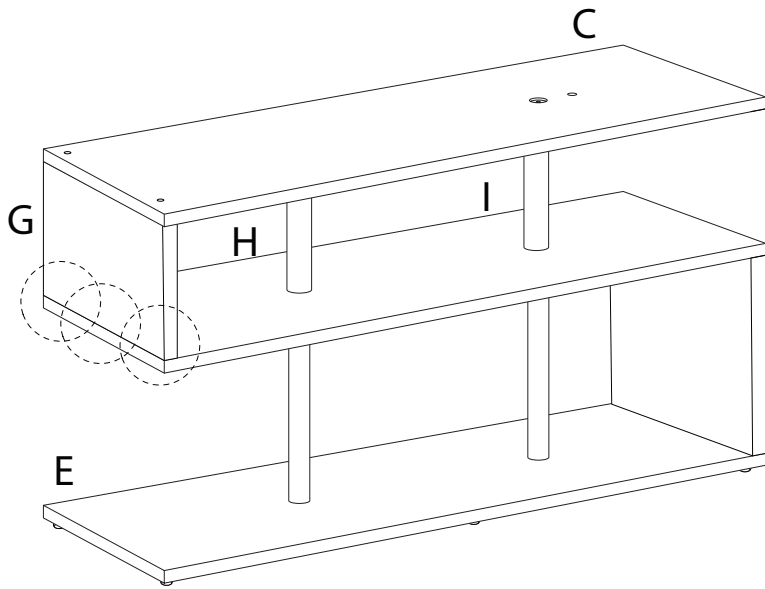
H  
x 1

I  
x 1



8

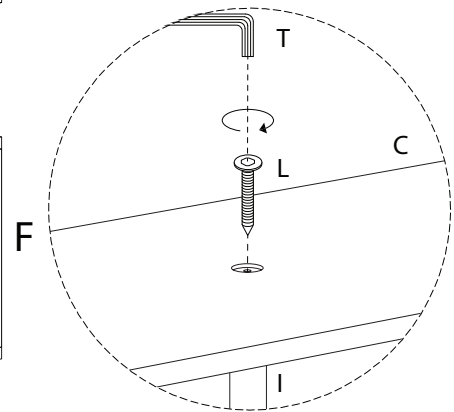
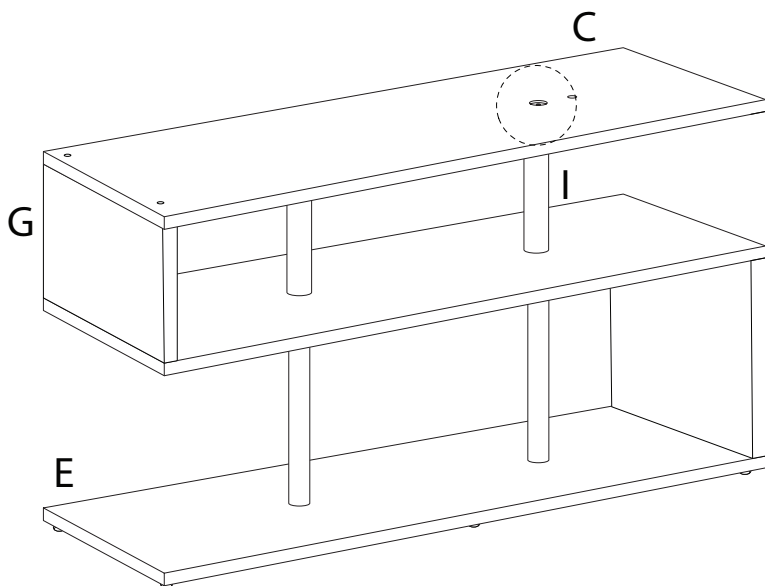
M  
M4  
x  
38  
x  
3





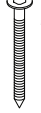

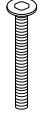
9

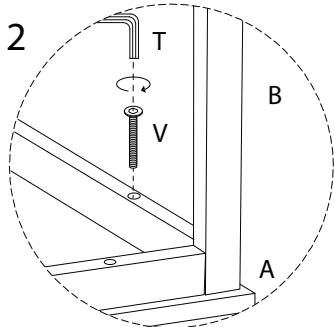
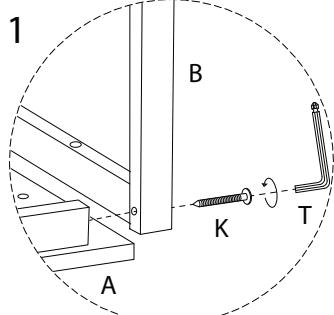
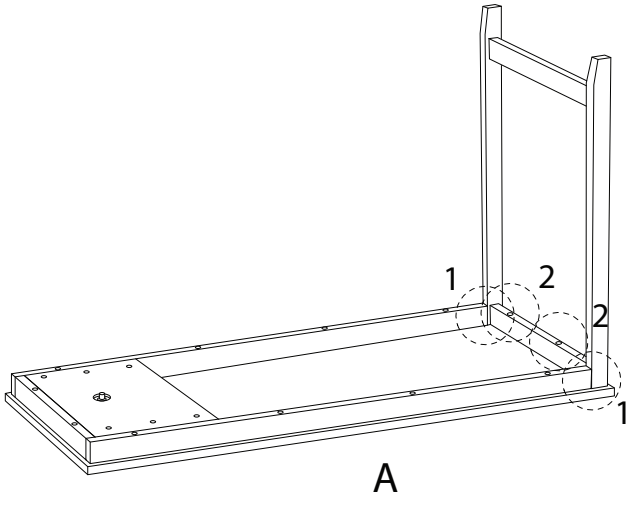
L  
M7  
x  
40  
x  
1

T  
M4  
x  
1

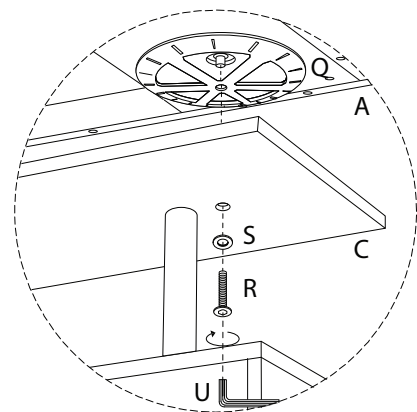
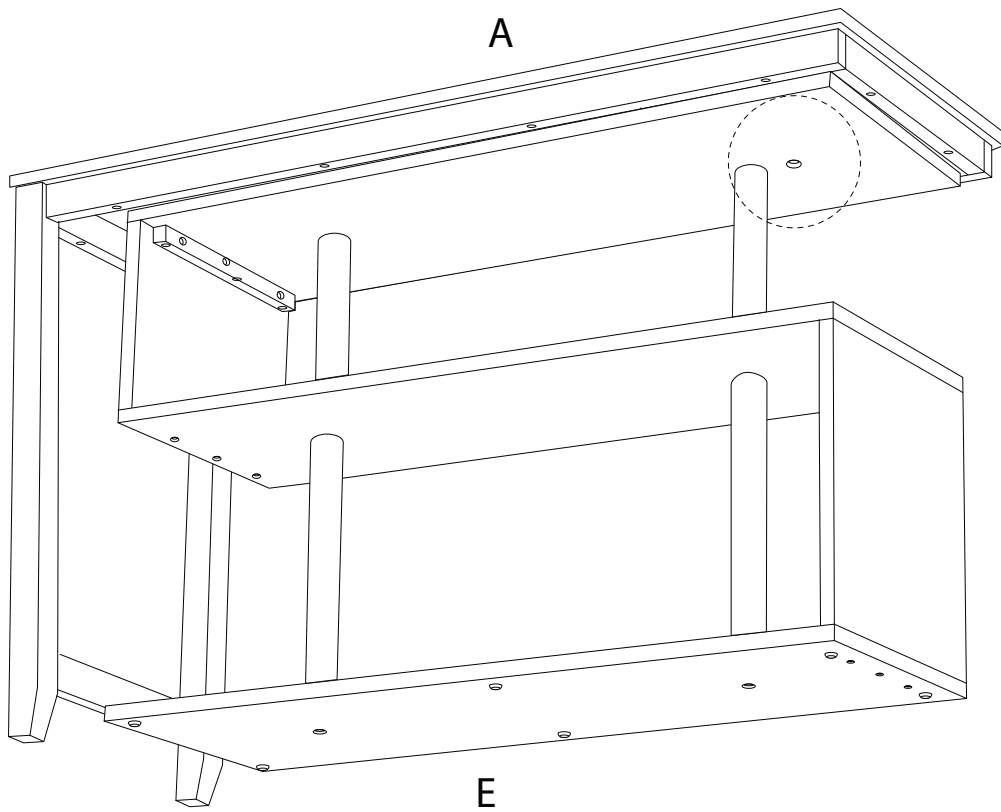
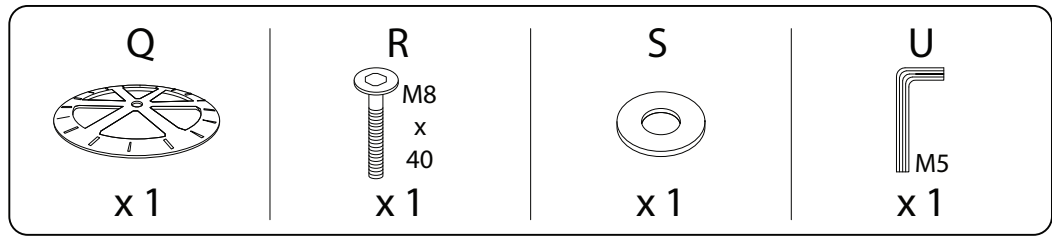


10

<p>A</p>  <p>x 1</p>	<p>B</p>  <p>x 1</p>	<p>K</p>  <p>M7 x 60</p> <p>x 2</p>	<p>T</p>  <p>M4</p> <p>x 1</p>	<p>V</p>  <p>M6 x 50</p> <p>x 2</p>
---	---	--	---	--



11



!

