



**San Souci®**  
 One-piece compact elongated toilet with concealed trapway, 1.28 gpf  
**K-5172**

**Features**

- One-piece toilets integrate the tank and bowl into a seamless, easy-to-clean design
- Compact elongated bowl offers added comfort while occupying the same space as a round-front bowl
- Low-profile design
- Comfort Height® feature offers chair-height seating that makes sitting down and standing up easier for most adults
- 1.28 gpf (4.8 lpf)
- Concealed trapway and Clean Caps® low-profile bolt caps facilitate easier cleaning and enhance design
- Includes Reveal® Quiet-Close™ seat
- Left-hand Polished Chrome trip lever
- Easy-to-flush canister design requires less force to actuate than a 3" (76 mm) flapper, and has 90% less exposed seal material which resists conditions that cause wear, tear, shrinkage and swelling
- Eligible for consumer rebates in some municipalities
- Quiet-Close™ compact elongated lid and seat prevents slamming
- 2-1/8" (54 mm) fully glazed trapway



**ADA** **CSA B651** **OBC**

**Codes/Standards**

ASME A112.19.2/CSA B45.1  
 DOE - Energy Policy Act 1992  
 EPA WaterSense®  
 California Energy Commission (CEC)  
 ADA  
 ICC/ANSI A117.1  
 CSA B651  
 OBC  
 IAPMO Certification

**Installation**

- Standard 12" (305 mm) rough-in
- Supply line sold separately

**Recommended Products/Accessories**

- K-4108 PureWash® E750 Elongated bidet toilet seat with remote control
- K-9171-L Trip Lever for K-5172
- 1023457 Wax Ring/Hardware Kit
- 1265114 Connector Hose
- K-23726 Drain treatment
- K-30780 Carbyne® Quiet-Close™ elongated toilet seat

**Included Components**

- K-4008 Reveal® Quiet-Close™ elongated toilet seat

**KOHLER® Toilets and Seats Limited Warranty**

See website for detailed warranty information.

**Available Colors/Finishes**

*Color tiles intended for reference only.*

Color	Code	Description
	0	White
	96	Biscuit
	47	Almond
	NY	Dune
	95	Ice™ Grey
	58	Thunder™ Grey
	7	Black Black™
	17	Teal

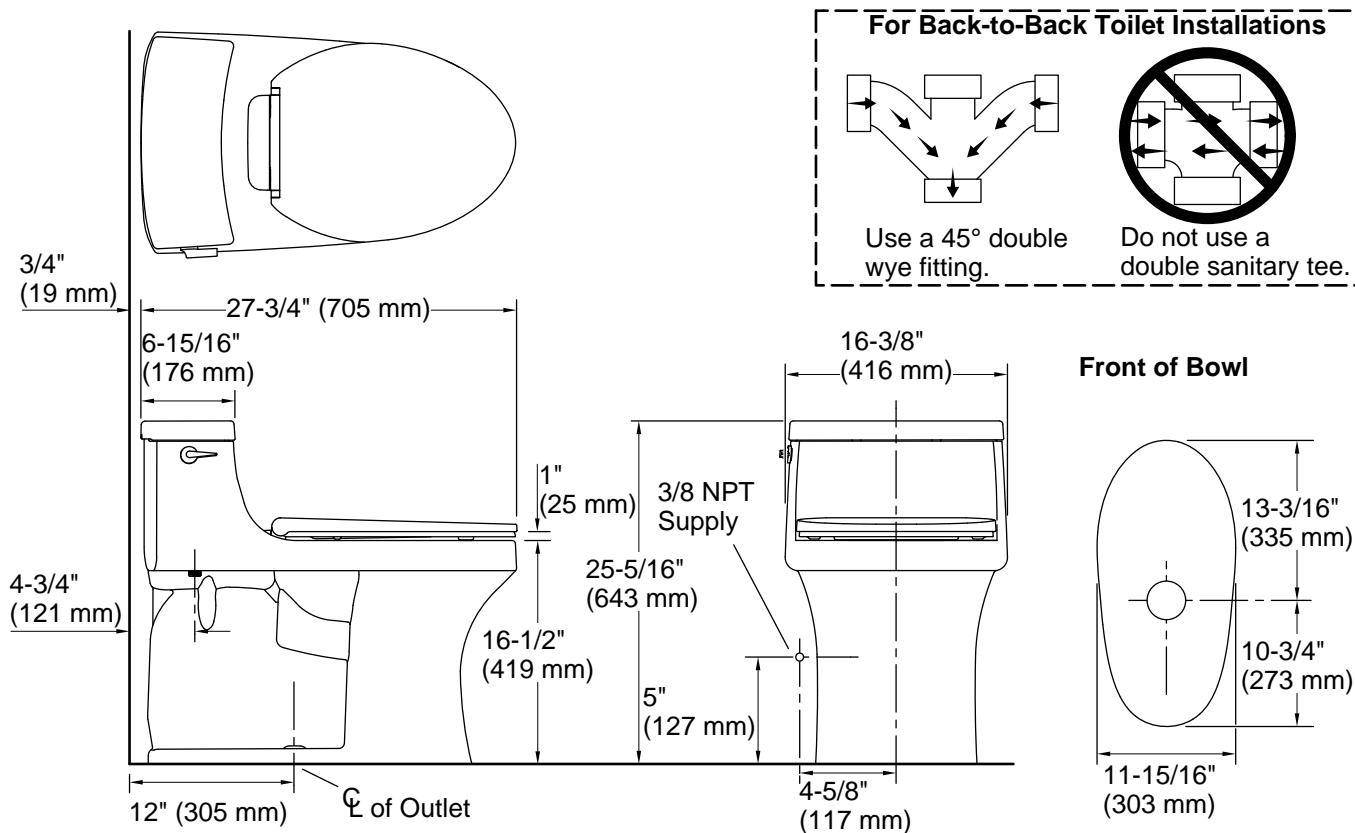
1-800-4KOHLER (1-800-456-4537)

Kohler Co. reserves the right to make revisions without notice to product specifications.

For the most current Specification Sheet, go to [www.kohler.com](http://www.kohler.com) USA or [www.kohler.ca](http://www.kohler.ca) Canada

1-7-2025 21:42 - US/CA





## Technical Information

All product dimensions are nominal.

Toilet type:	Floor-mount
Waste Outlet:	Floor
Bowl shape:	Compact elongated
Flush type:	Class Five
Trap passageway:	2-1/8" (54 mm)
Water surface size:	10-3/4" x 7-1/2" (273 mm x 191 mm)
Rim to water surface:	5-3/8" (137 mm)
Rough-in:	12" (305 mm)
Seat-mounting holes:	5-1/2" (140 mm)

## Notes

Install this product according to the installation instructions.

For back-to-back toilet installations: Use only a 45° double wye fitting.

ADA, OBC, CSA B651 compliant when installed to the specific requirements of these regulations.

Plumbing codes may require elongated toilets and elongated, open-front seats in public bathrooms.

Accessibility standards may require controls to be located on the open side of the toilet.