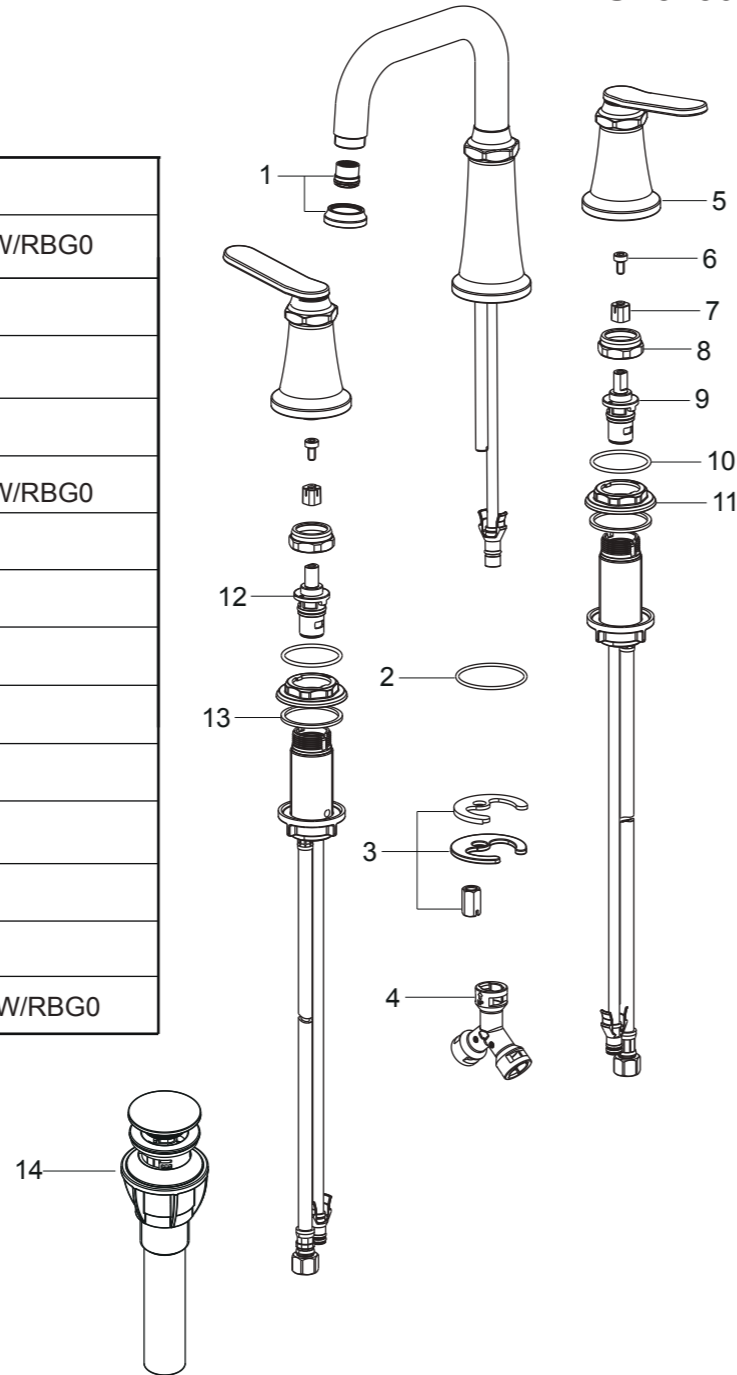


Replacement Parts / Pièces de rechange / Repuestos

UF54500
UF54503
UF54507
UF54508

NO.	Description	Part No.
1	Aerator Assembly	5Y0314200CP/AP/HBW/RBG0
2	O-RING	5R0002500PL0
3	Fixed ASSY	5Y0314400NT0
4	Tee Connecto Set Screw	5J0038800PL0
5	Handle Assembly	5Y0314300CP/AP/HBW/RBG0
6	Screw	5T0001700NT0
7	Connector	5J0P0019PL
8	Nut	5T1C0214NT
9	Cartridge Assembly-Cold	5D8003600PL0
10	O-RING	53003402PL
11	Fixed ASSY	5N0063900PL0
12	Cartridge Assembly-Hot	5D8003500PL0
13	Washer	5R4005900PL0
14	Pop-Up Assembly	5Y0161903CP/AP/HBW/RBG0



Limited Lifetime Warranty

Ultra Faucets warrants to the original purchaser that its products will be free from defects in workmanship and materials. All Ultra Faucets are provided with a life time limited warranty. This warranty does not cover any other labor or service charges associated with the removal, repair, or reinstallation of Ultra Faucets products. This express warranty does not apply to products that have been damaged as a result of misuse, abuse, negligence, accident, faulty installation or maintenance practices and/or used in any manner contrary to those recommended by the manufacturer.

Need help? Please call our toll-free customer service line at 1-888-658-5872 for additional assistance or service.

Besoin d'aide? Veuillez communiquer avec notre service à la clientèle au numéro gratuit 1-888-658-5872 pour tous renseignements ou services complémentaires.

Mestiere Collection

Two-Handle Widespread Lavatory
Faucet



Installation/Installation/Instalación

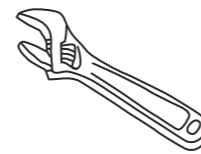
CUSTOMER SERVICE

TOLL-FREE 1-888-OK-ULTRA (658-5872)

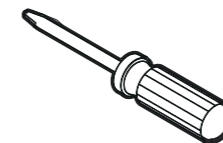
- UF54500 - Polished Chrome**
- UF54503 - PVD Brushed Nickel**
- UF54507 - Matte Black**
- UF54508 - Brushed Gold**



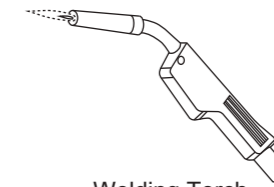
Tools You Will Need / Outils dont vous aurez besoin / Herramientas necesarias



Adjustable Wrench
Clé à molette
Llave ajustable



Phillips Screwdriver
Tournevis Phillips
Destornillador cruciforme



Welding Torch
Chalumeau (soudeur)
Pistola



Groove joint pliers
Pince multiprise
Pinzas ajustables

SAFETY TIPS

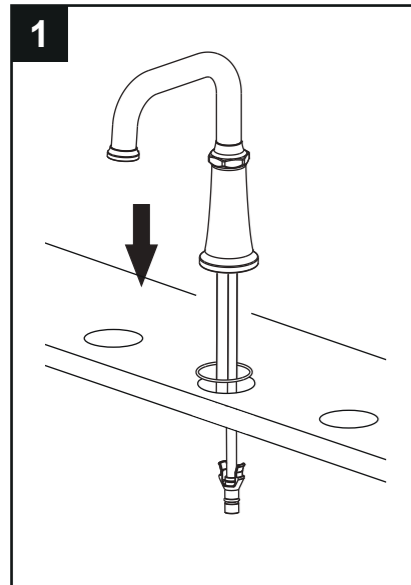
- If you use soldering for the installation of the faucet, the seats, cartridges and washers will have to be removed before using flame. Otherwise, warranty will be void on those parts.
- Cover your drain to avoid losing parts.
- 0°C~55°C.

CONSIGNES DE SÉCURITÉ

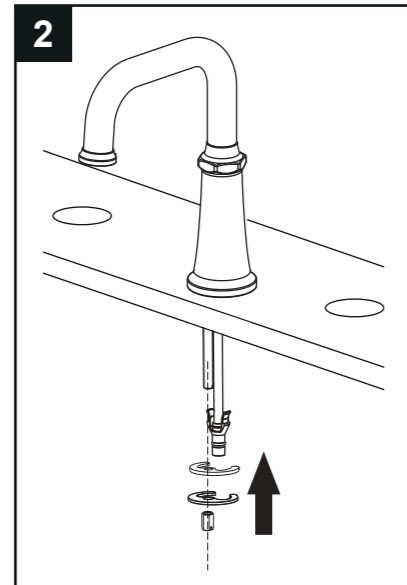
- Si vous posez le robinet par brasage, il est essentiel de retirer les sièges, les cartouches et les rondelles avant d'appliquer la flamme, faute de quoi la garantie sur ces pièces sera annulée.
- Couvrez le drain pour ne pas perdre des pièces.
- 0°C~55°C.

CONSEJOS DE SEGURIDAD

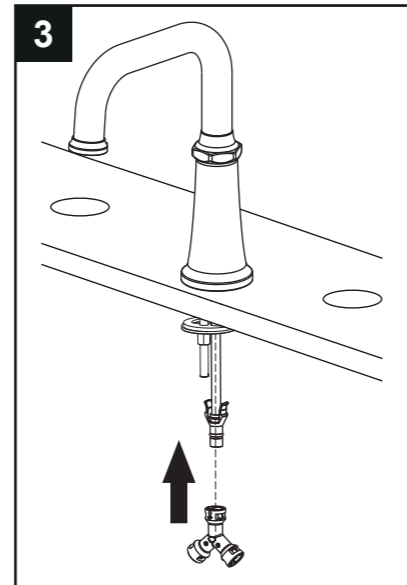
- En el caso de utilizar soldadura para instalar el grifo, remueva los asientos, cartuchos y arandelas antes de usar la llama. De lo contrario, se anulará la garantía para esos componentes.
- Tape la boca del desagüe para prevenir la pérdida de piezas pequeñas.
- 0°C~55°C.



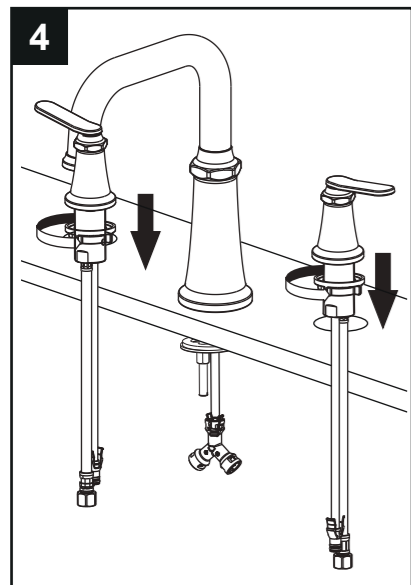
1 Install the faucet through the mounting hole.



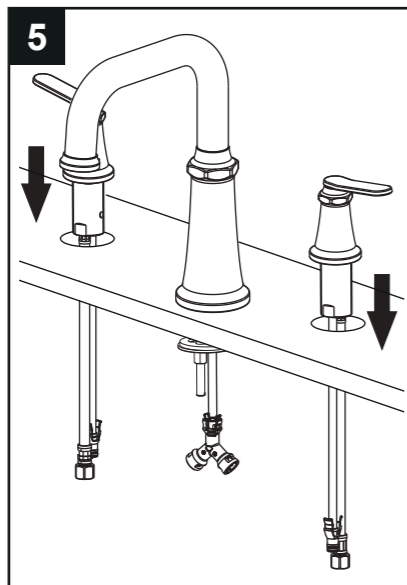
2 Carefully tighten spout mounting hardware to secure faucet.



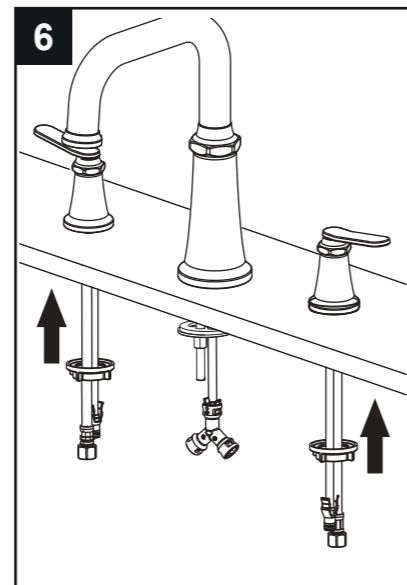
3 Install the tee assembly.



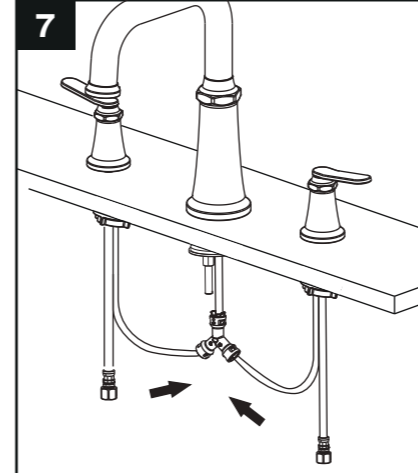
4 Remove the lock nut.



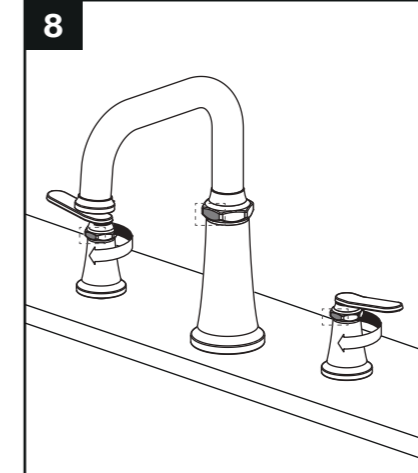
5 Lower the handle assembly into the mounting hole.



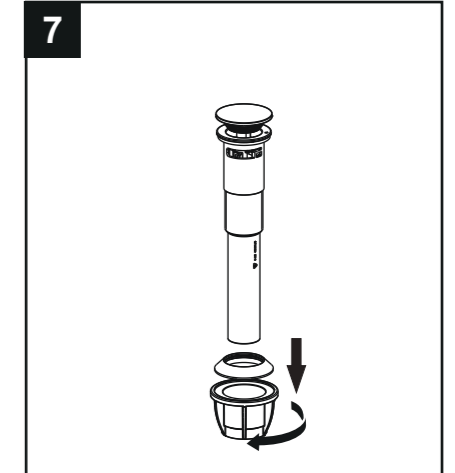
6 Tighten the mounting nut to secure the handle.



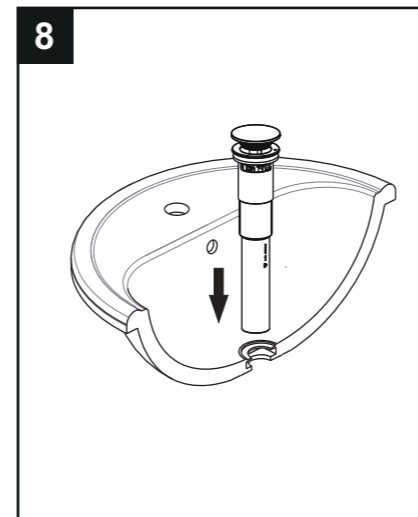
7 Connect the inlet hose to the faucet body and water inlet.



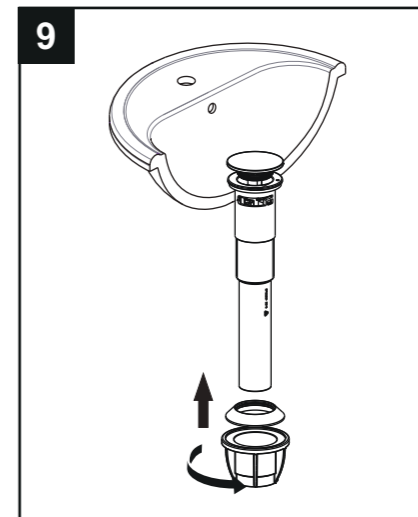
8 Adjust handle base hexagonal surfaces and body surface to be in same line (as shown in Figure 9).



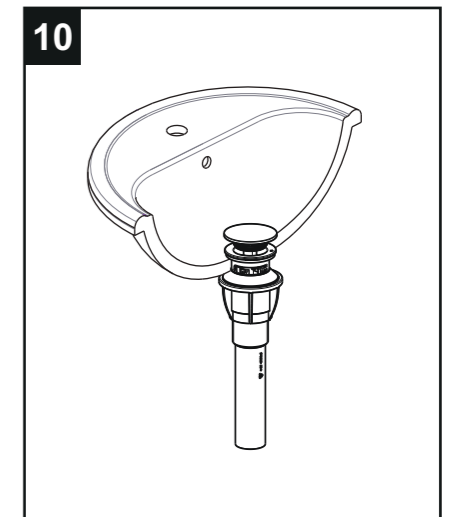
7 Remove rubber washer and locking nut from the drain assembly.



8 Slide push drain down into drain hole.



9 Tighten seal ring with plastic nut upwards and secure tight from below.



10 Complete the assembly.

