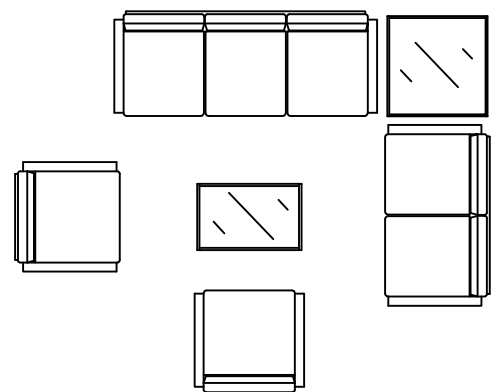
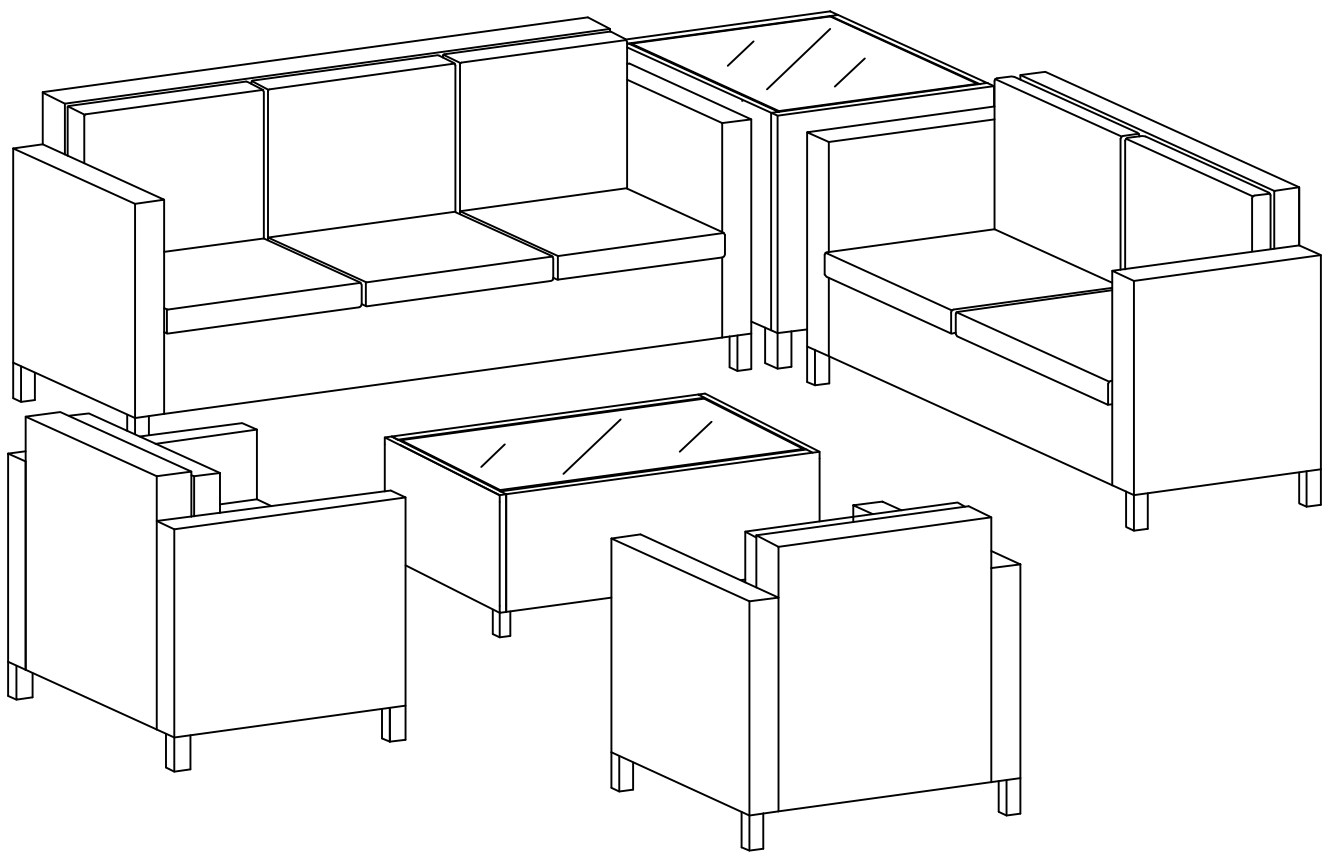
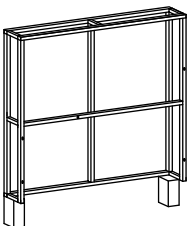
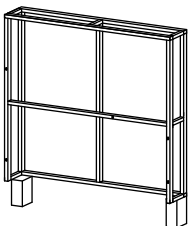
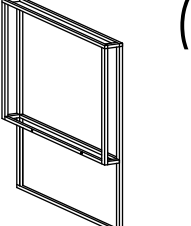
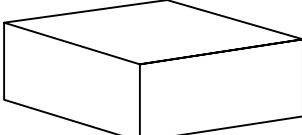
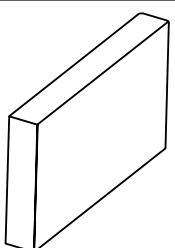
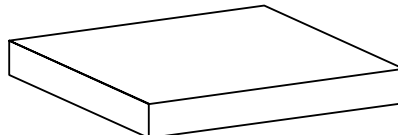
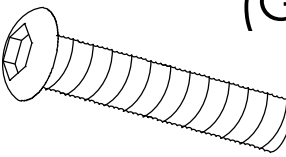

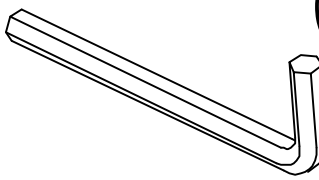
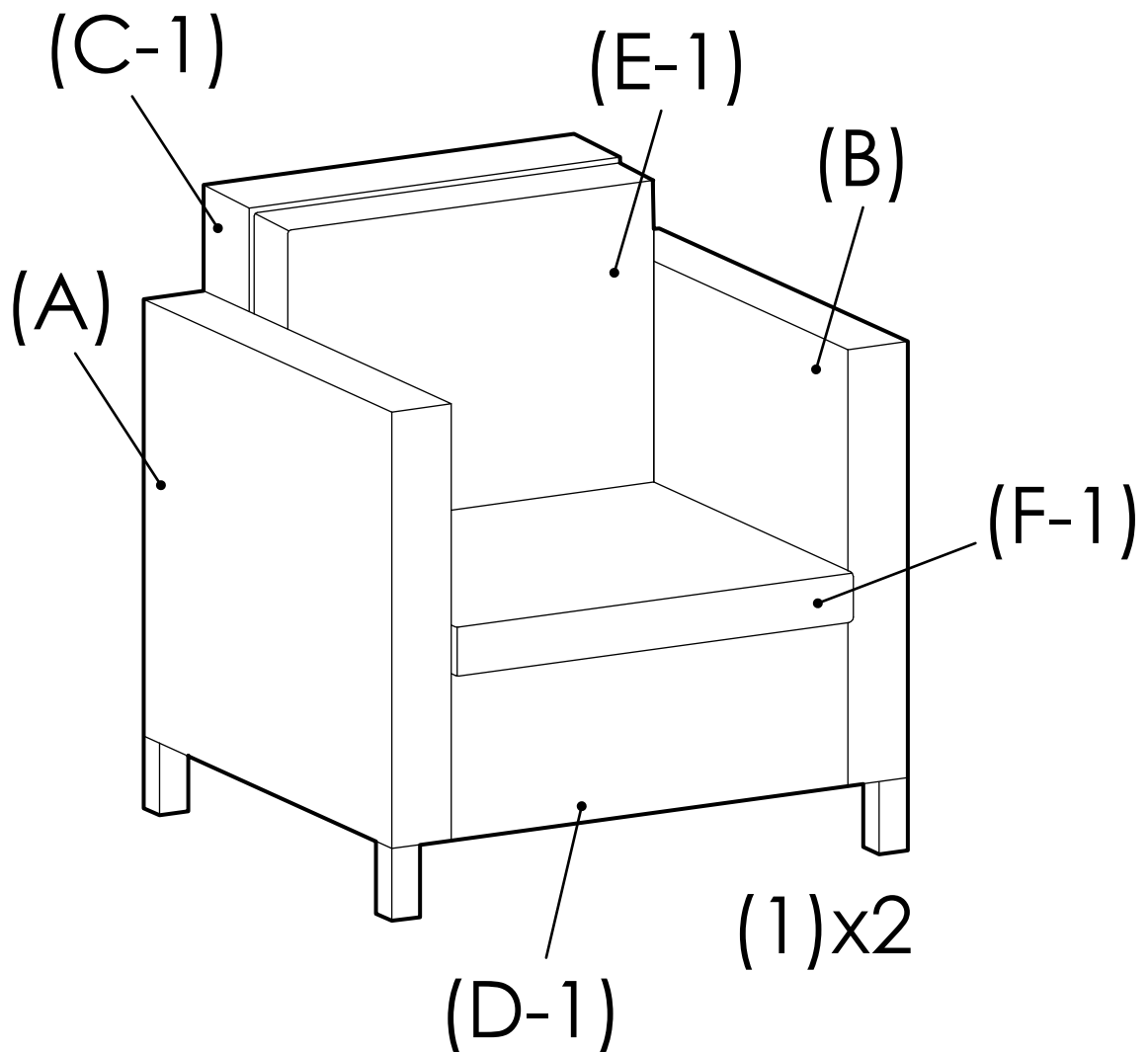




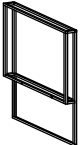
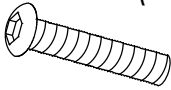
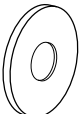

GRS

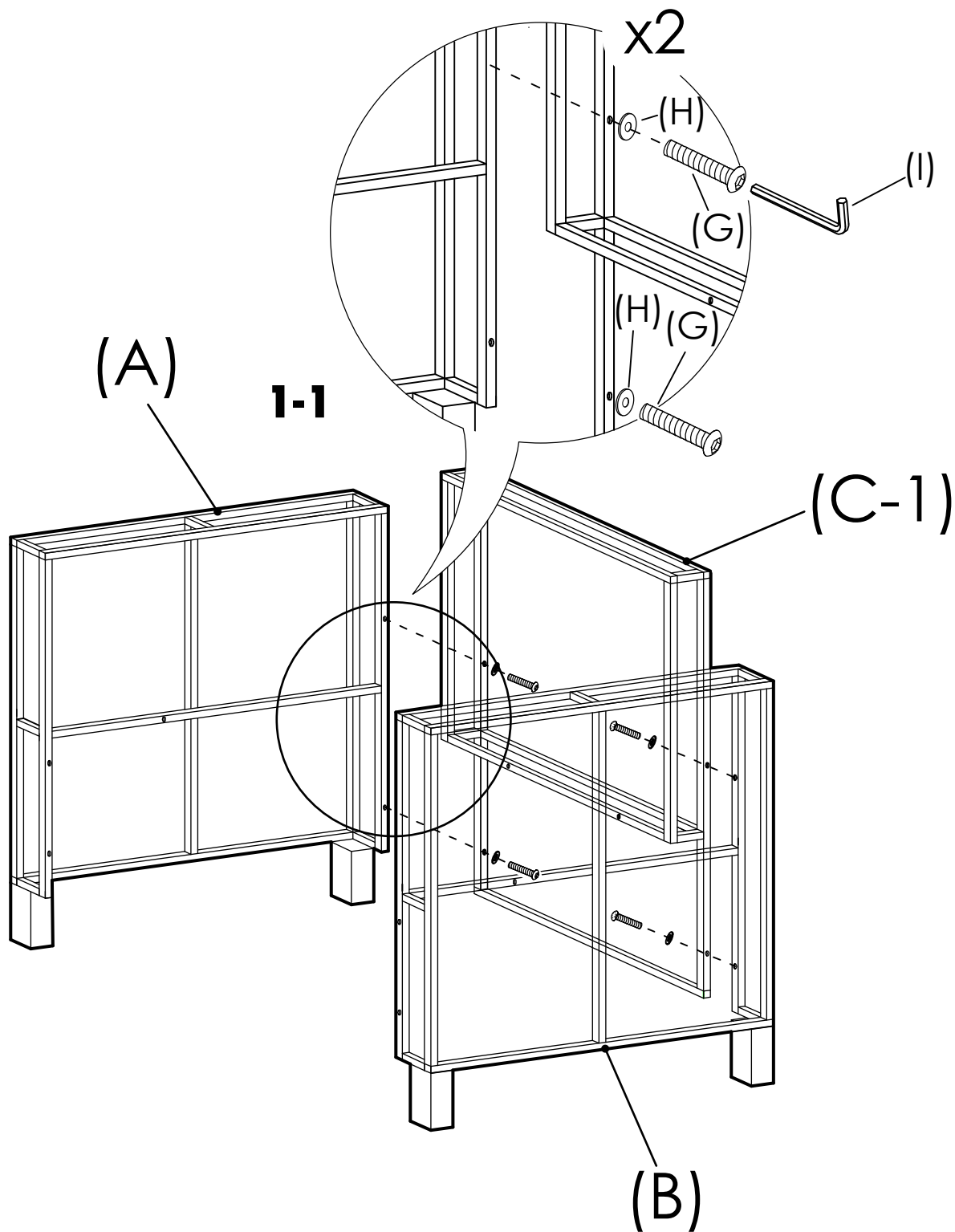


 <p>(A)x2</p>	 <p>(B)x2</p>	 <p>(C-1)x2</p>
 <p>(D-1)x2</p>	 <p>(E-1)x2</p>	 <p>(F-1)x2</p>
 <p>(G)x24</p>	 <p>(H)x24</p>	 <p>(I)x1</p>

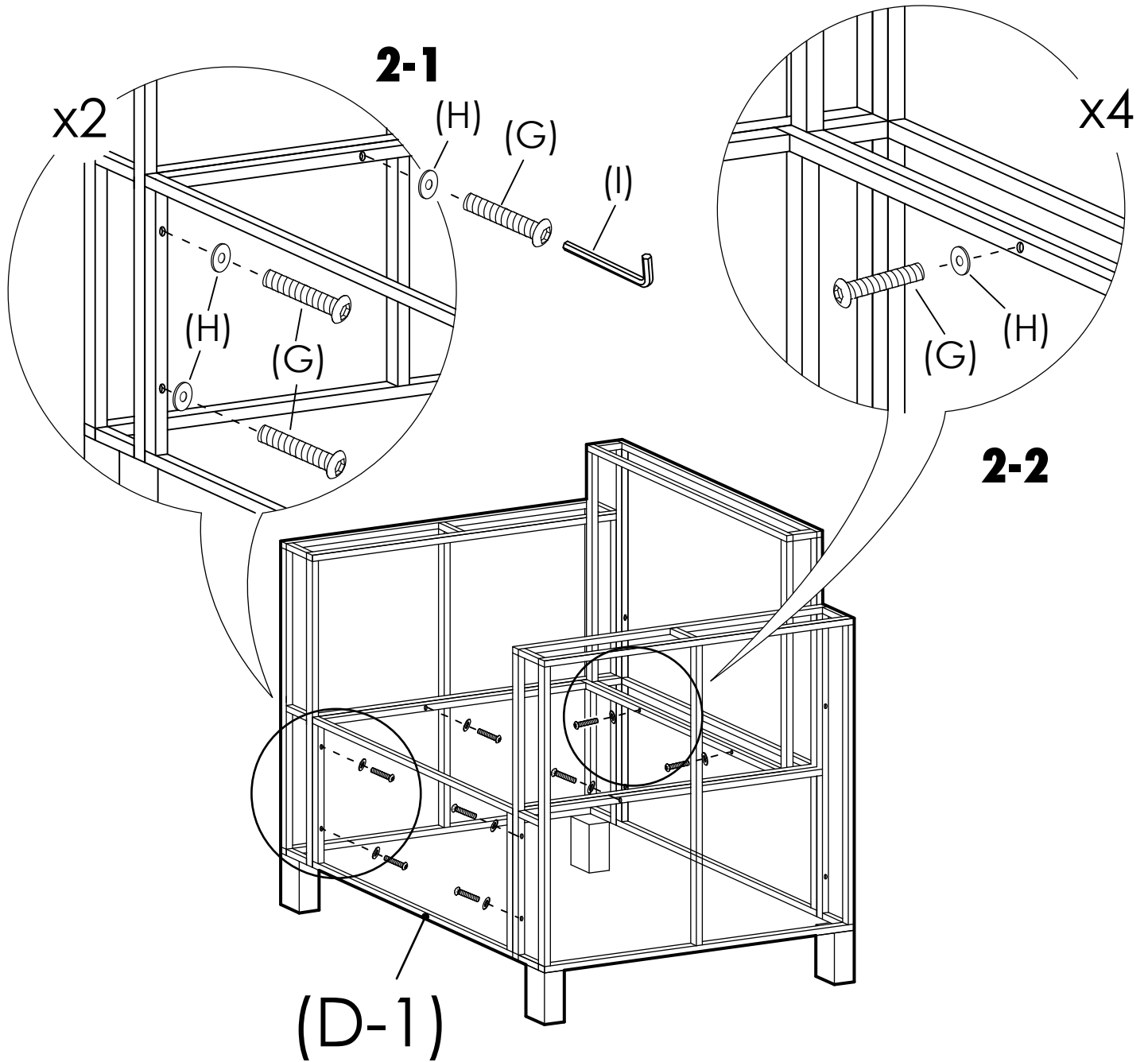
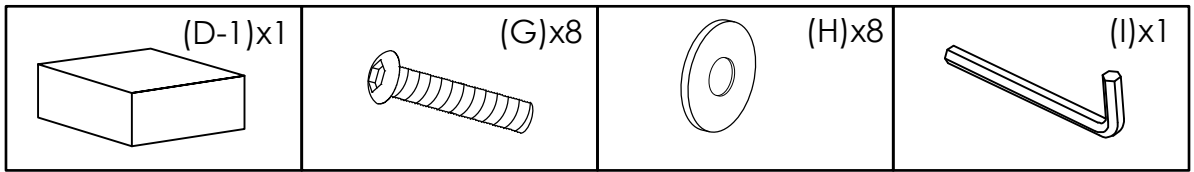


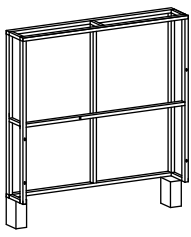
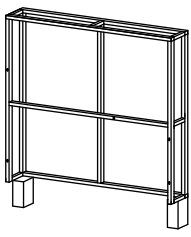
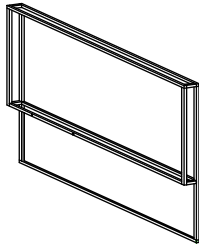
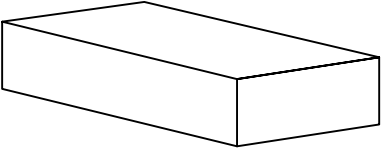
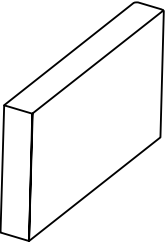
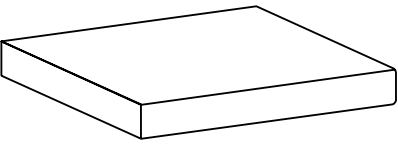
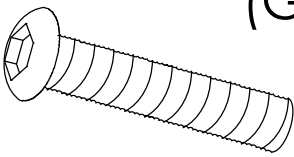
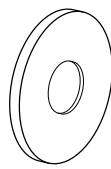
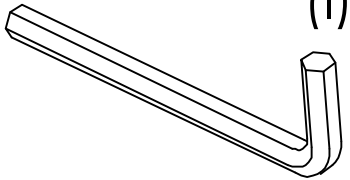
1.

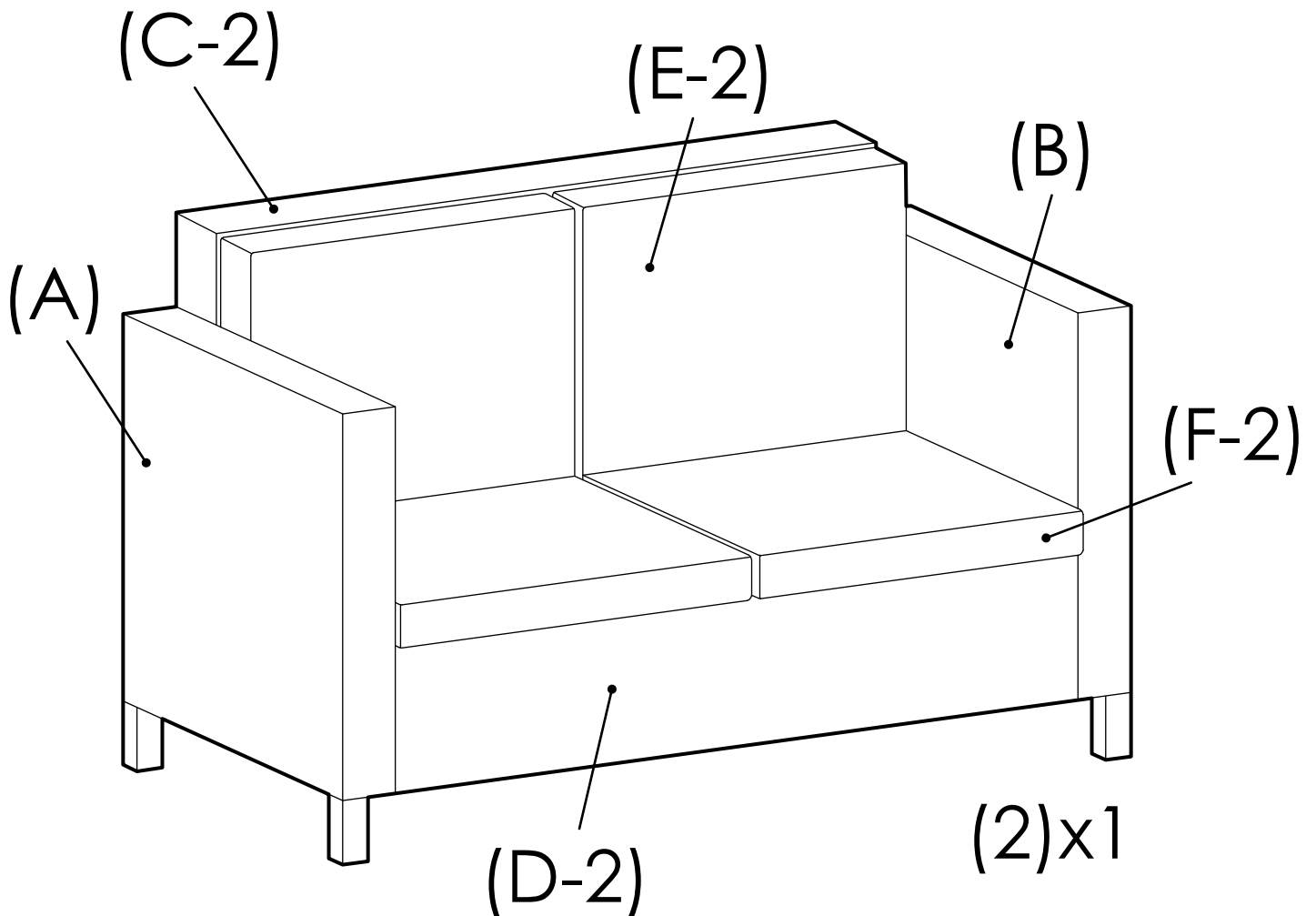
 (A)x1	 (B)x1	 (C-1)x1	 (G)x4
 (H)x4	 (I)x1		






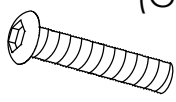


2.

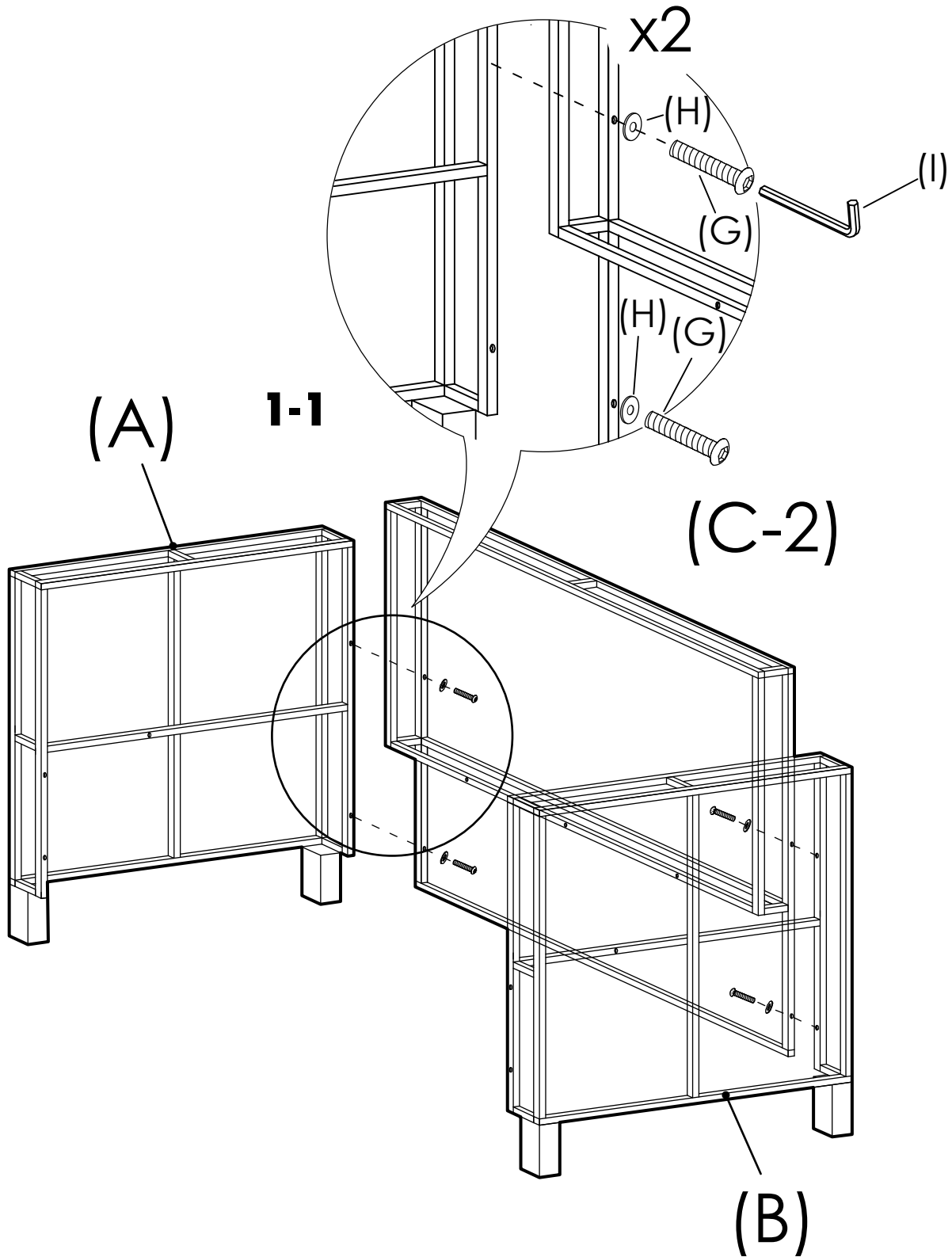


 (A)x1	 (B)x1	 (C-2)x1
 (D-2)x1	 (E-2)x2	 (F-2)x2
 (G)x13	 (H)x13	 (I)x1

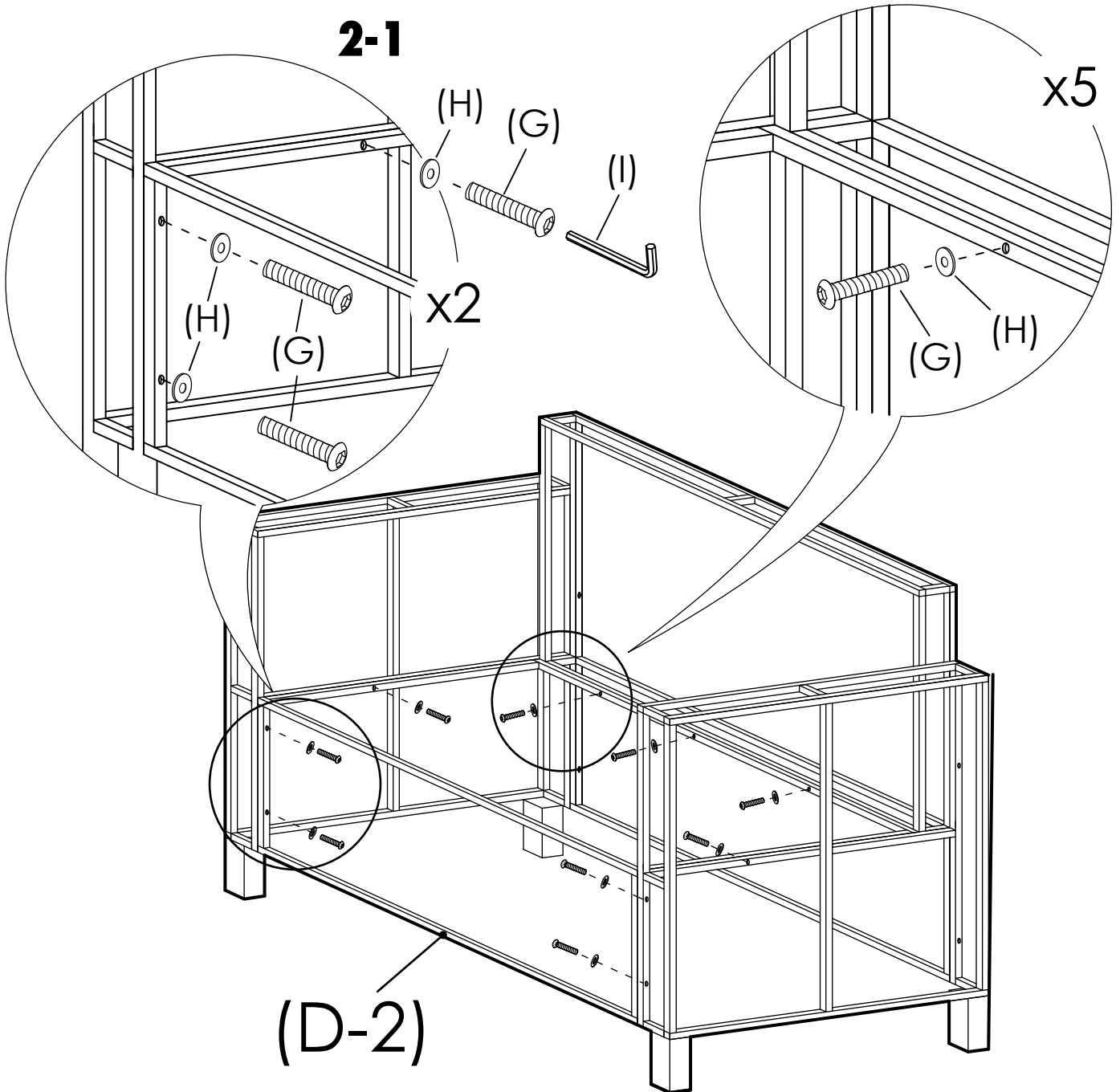
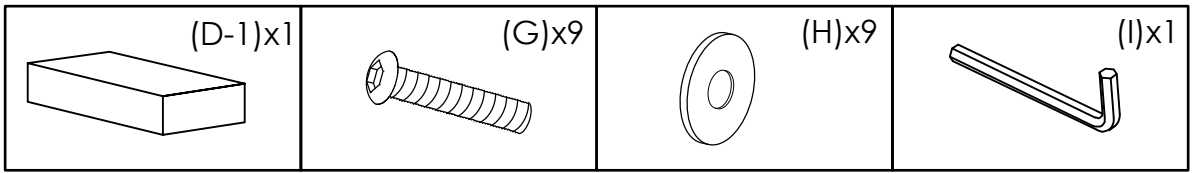


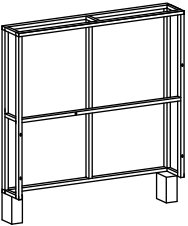
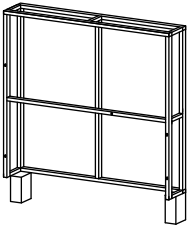
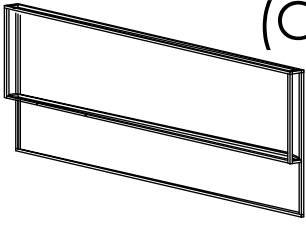
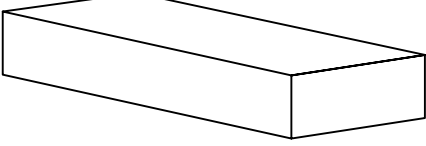
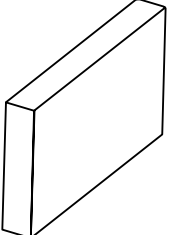
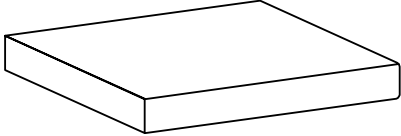
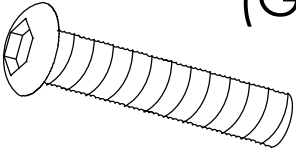
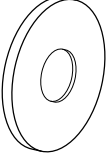
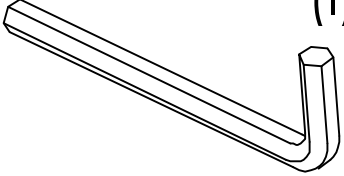
1.

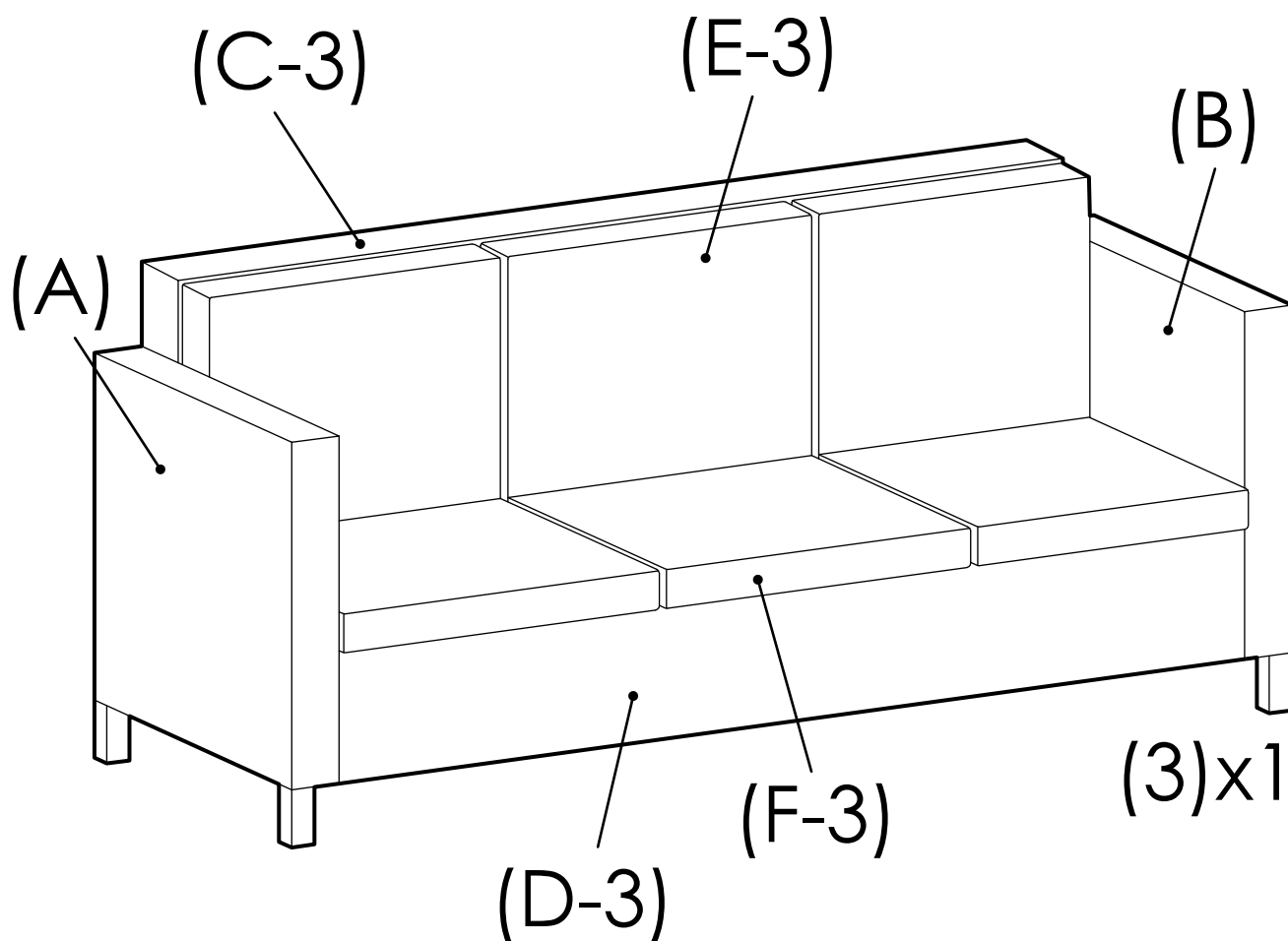
 (A)x1	 (B)x1	 (C-1)x1	 (G)x4
 (H)x4	 (I)x1		






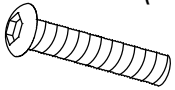
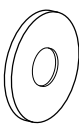

2.

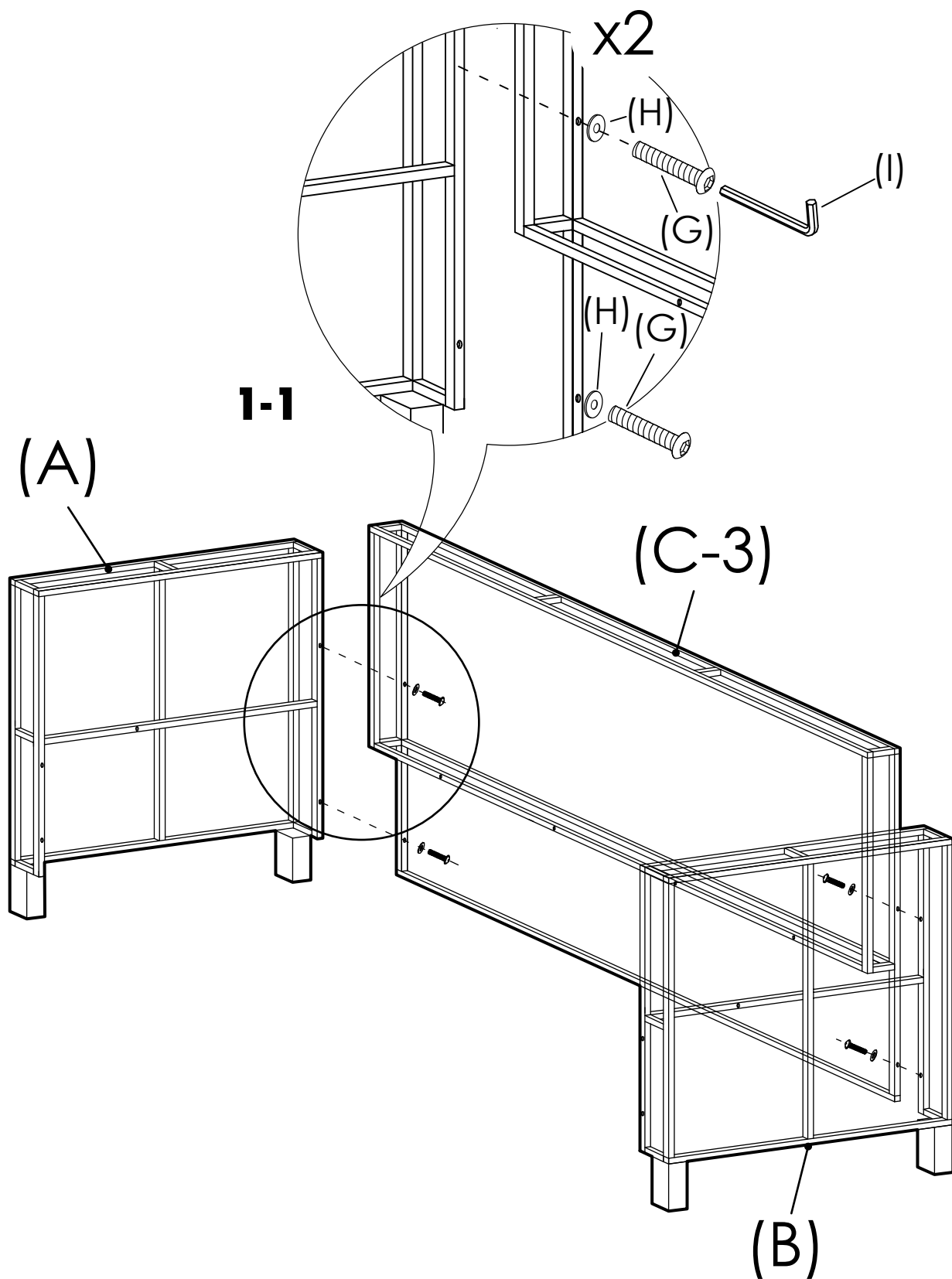


 <p>(A)x1</p>	 <p>(B)x1</p>	 <p>(C-3)x1</p>
 <p>(D-3)x1</p>	 <p>(E-3)x3</p>	 <p>(F-3)x3</p>
 <p>(G)x14</p>	 <p>(H)x14</p>	 <p>(I)x1</p>

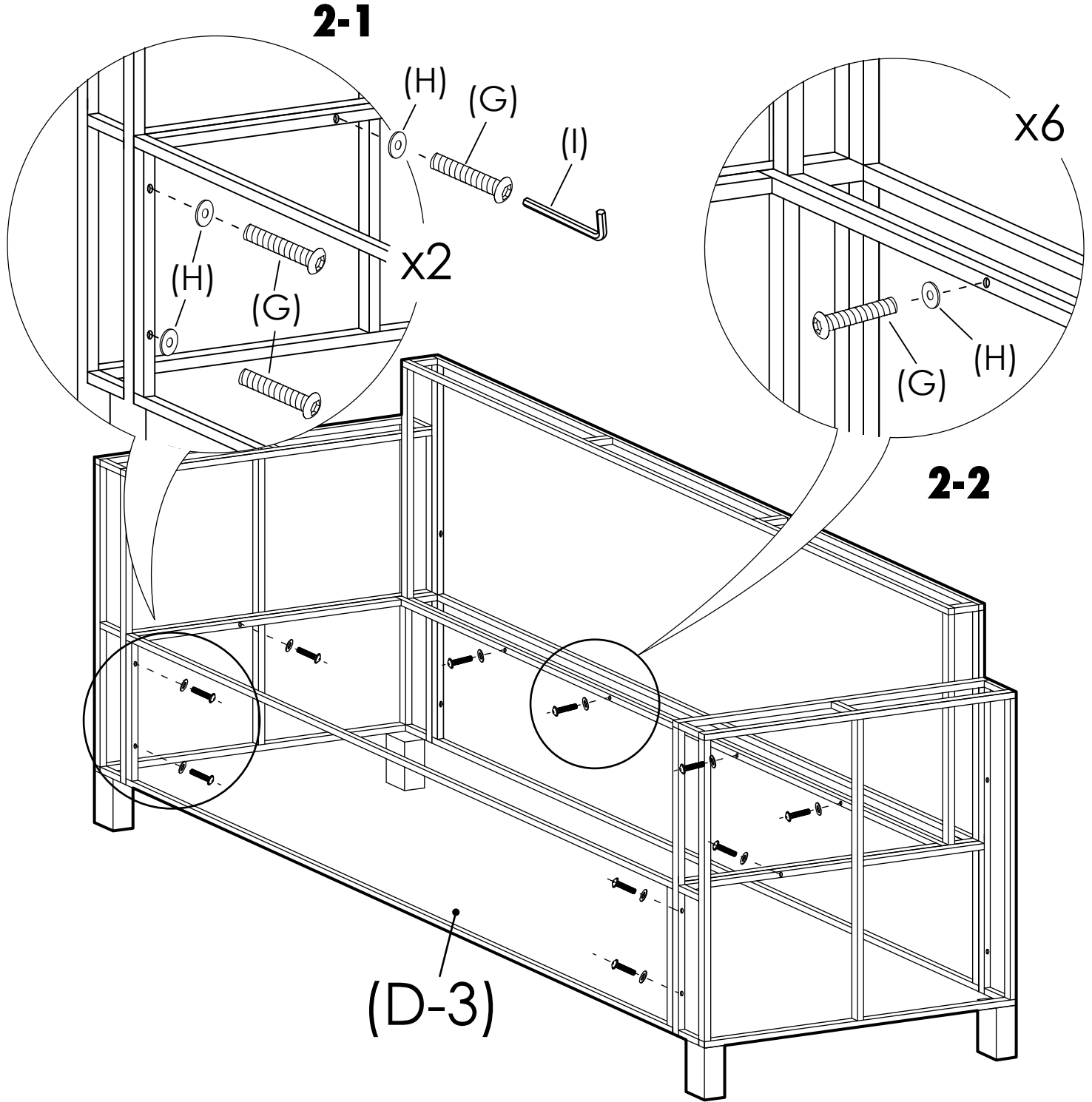
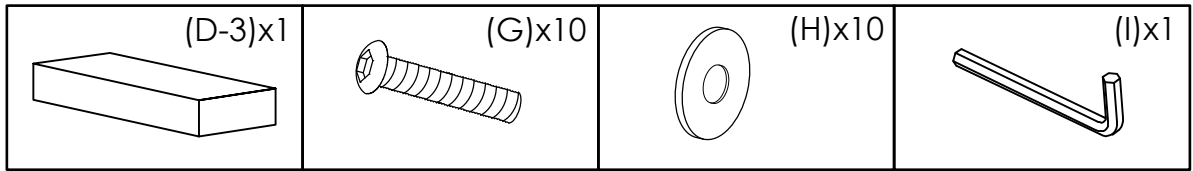


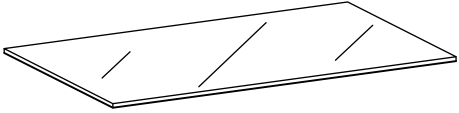
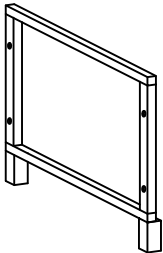
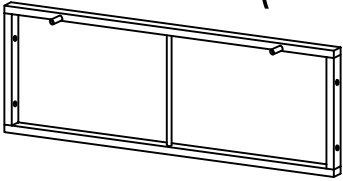
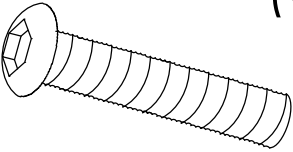
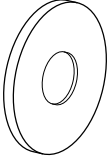
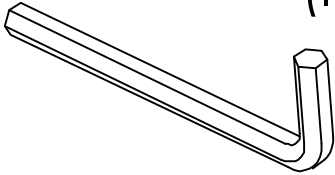
1.

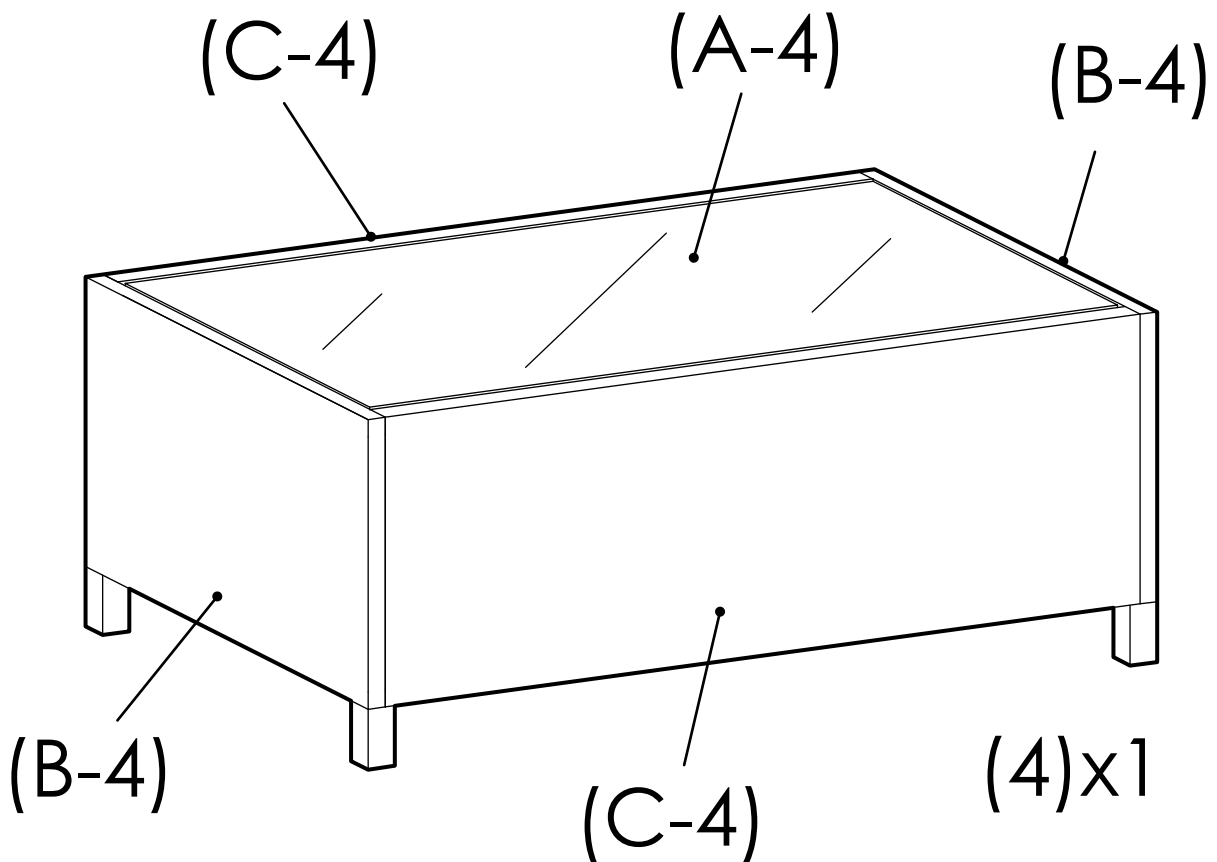
 (A)x1	 (B)x1	 (C-3)x1	 (G)x4
 (H)x4	 (I)x1		



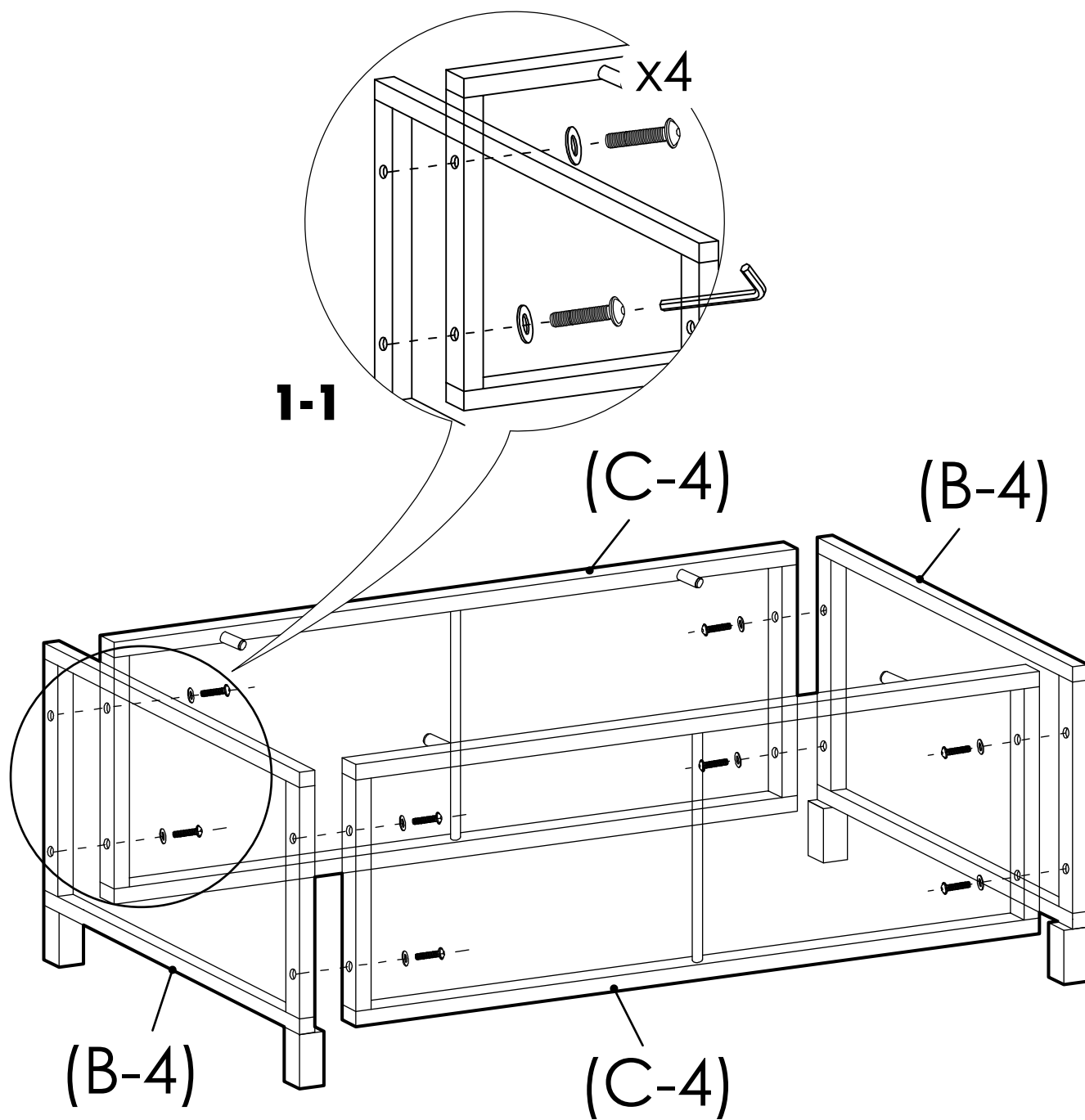
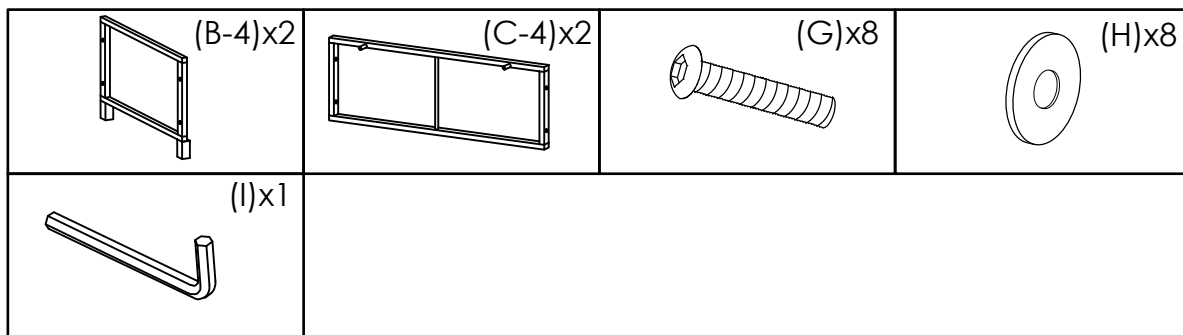
2.



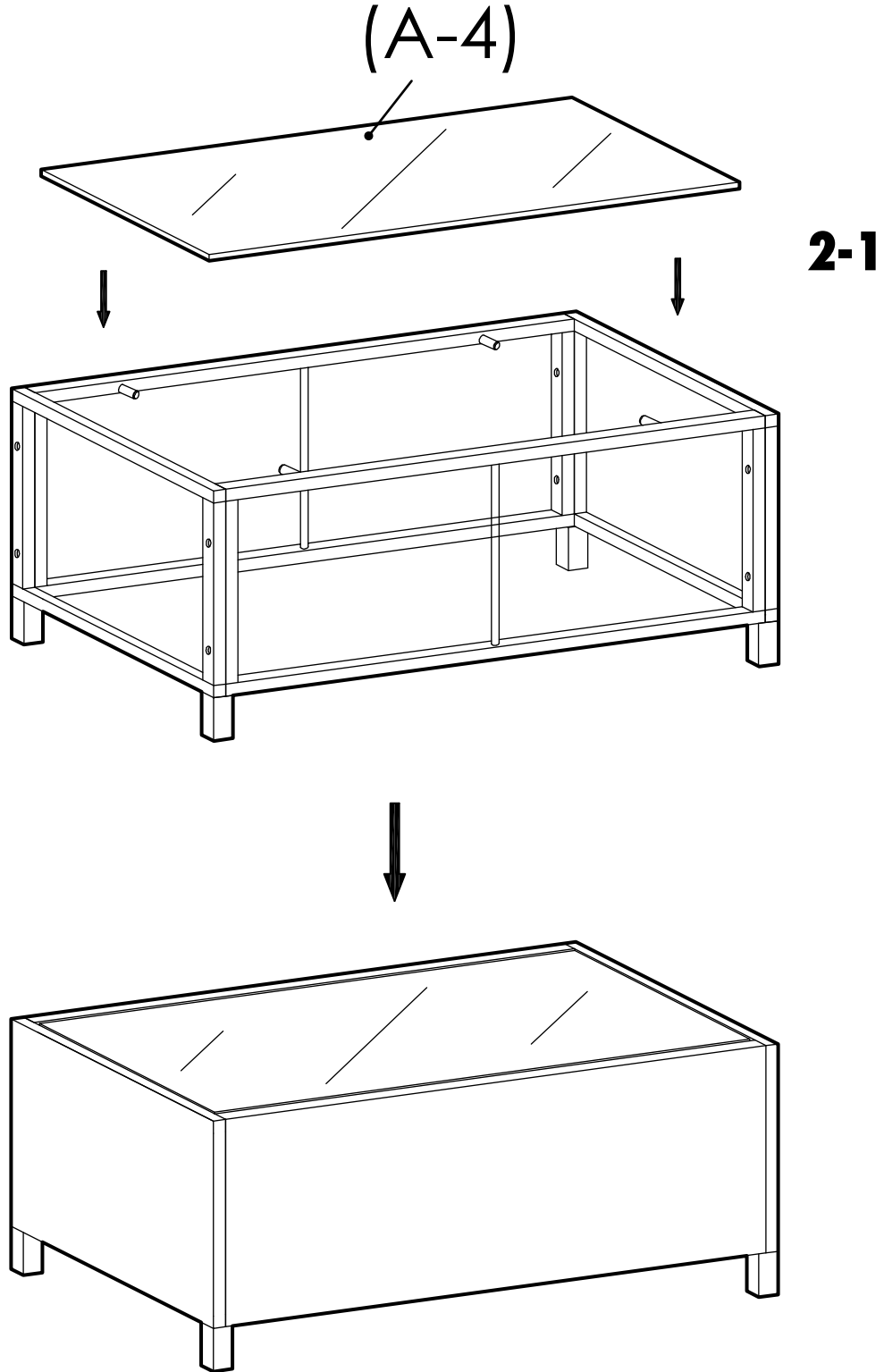
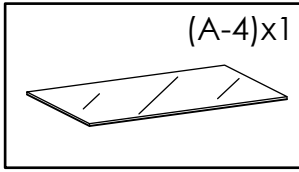
 <p>(A-4)x1</p>	 <p>(B-4)x2</p>	 <p>(C-4)x2</p>
 <p>(G)x8</p>	 <p>(H)x8</p>	 <p>(I)x1</p>



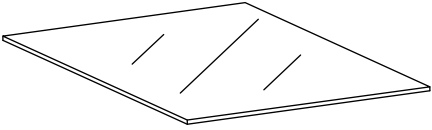
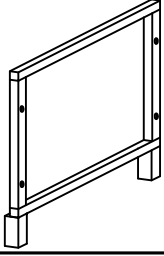
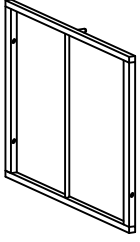
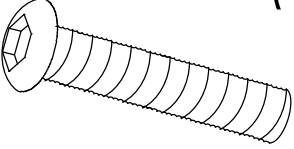
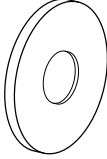
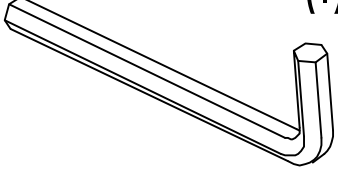
1.

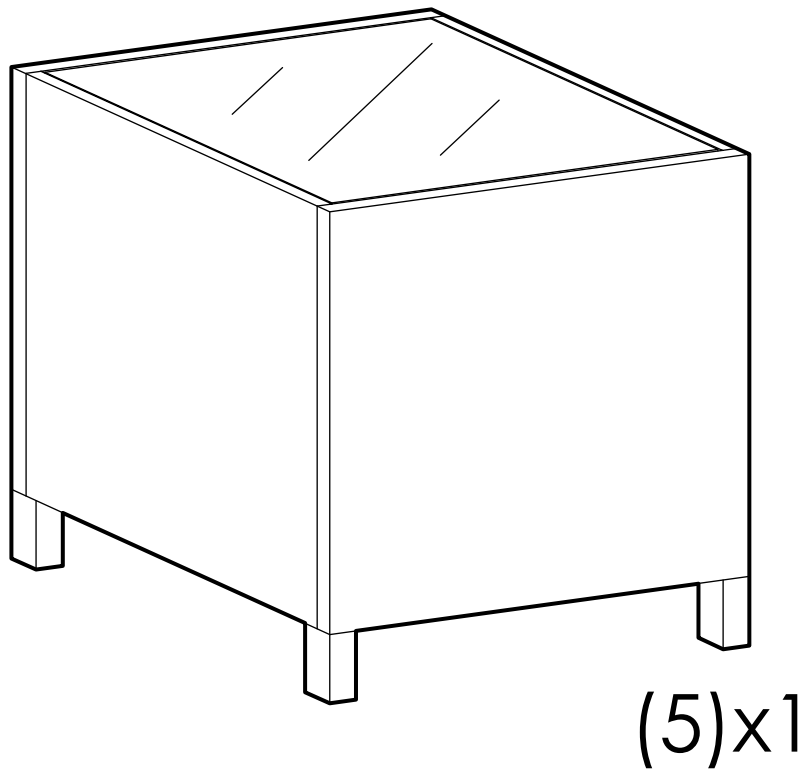


2.

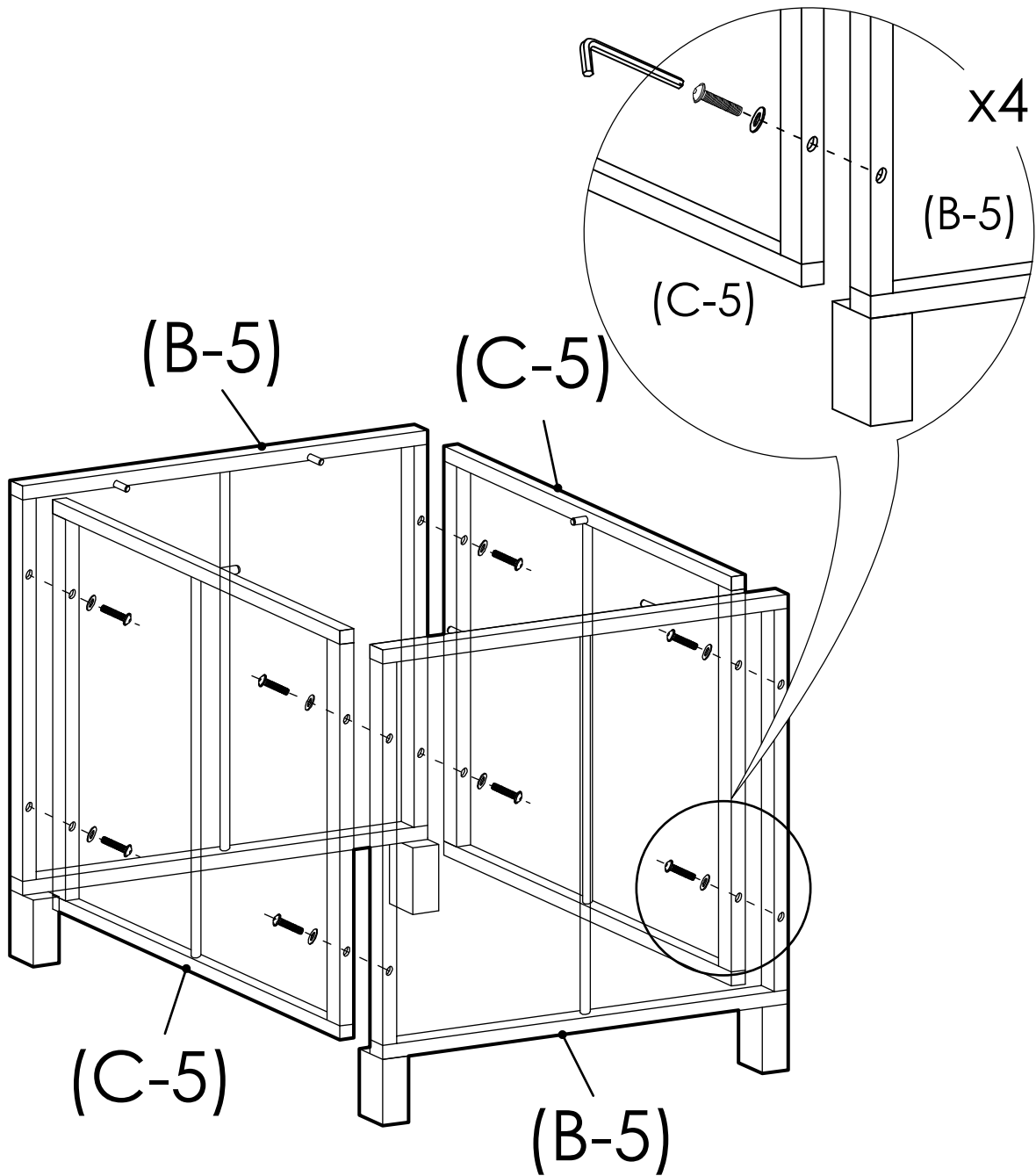
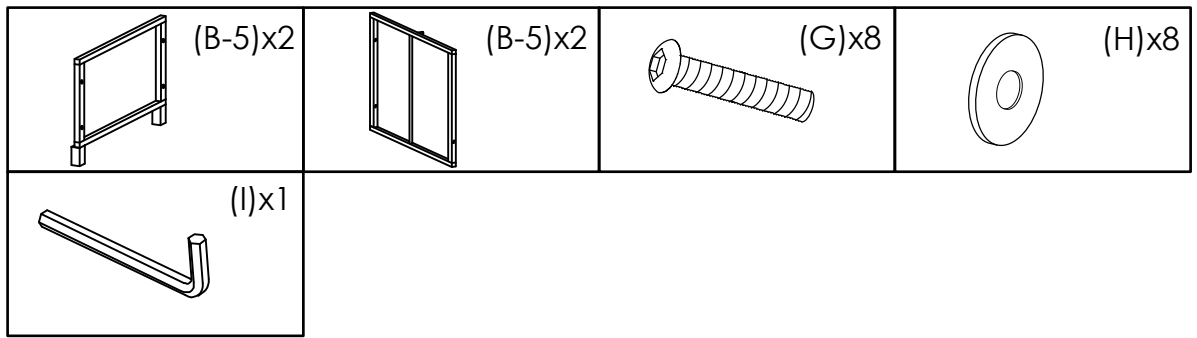


GRS

 <p>(A-5)x1</p>	 <p>(B-5)x2</p>	 <p>(C-5)x2</p>
 <p>(G)x8</p>	 <p>(H)x8</p>	 <p>(I)x1</p>



1.



2.

