

Assembly Instructions

Caution : You must read this before you proceed.

Care & Maintenance



- Furniture may scratch floors. We recommend using furniture pads to protect your floors.



- Do not put hot items directly on furniture surface.



- Do not clean furniture with harsh cleansers or polish.



- Do not place furniture under direct sunlight.



- Do not place furniture near heating or cooling vents.



- Do not write on furniture without a padded barrier to protect the surface.



- Do not place furniture outside . For indoor use only.



- Not for commercial use. For residential use only.



- Stains may be removed with mild soap solution and damp cloth.



- Children should not climb or jump on the furniture.



- Dust and pick-up spills using a clean, non-colored, lint-free cloth.

WARNING!!

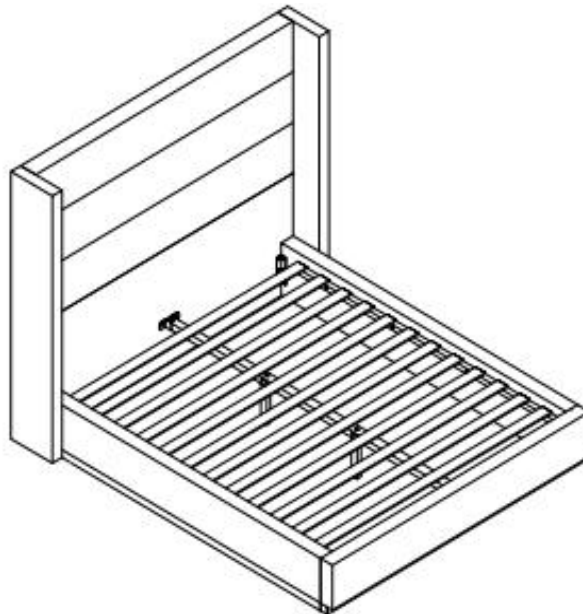
Furniture Tipping Risk.

Serious risk of severe or fatal crush injuries can occur from furniture tipping over if not secured.

Children like to climb on furniture and Unsecured furniture can pose a serious danger.

Please follow all instructions and install the tip-over restraints provided.

Queen Size Bed



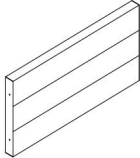
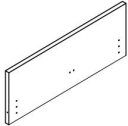
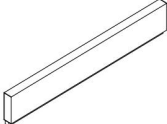


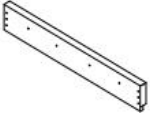
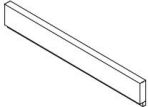


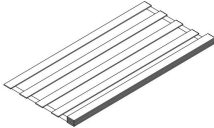
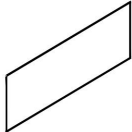
NOTE : This Bed is NOT a TOY.

Keep your child / children at bay during the assembly process.


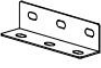


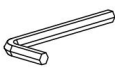
The BED is HEAVY.

To prevent injury to yourself or damage to the product a minimum of two adults are required whenever moving or lifting the product.

Parts List

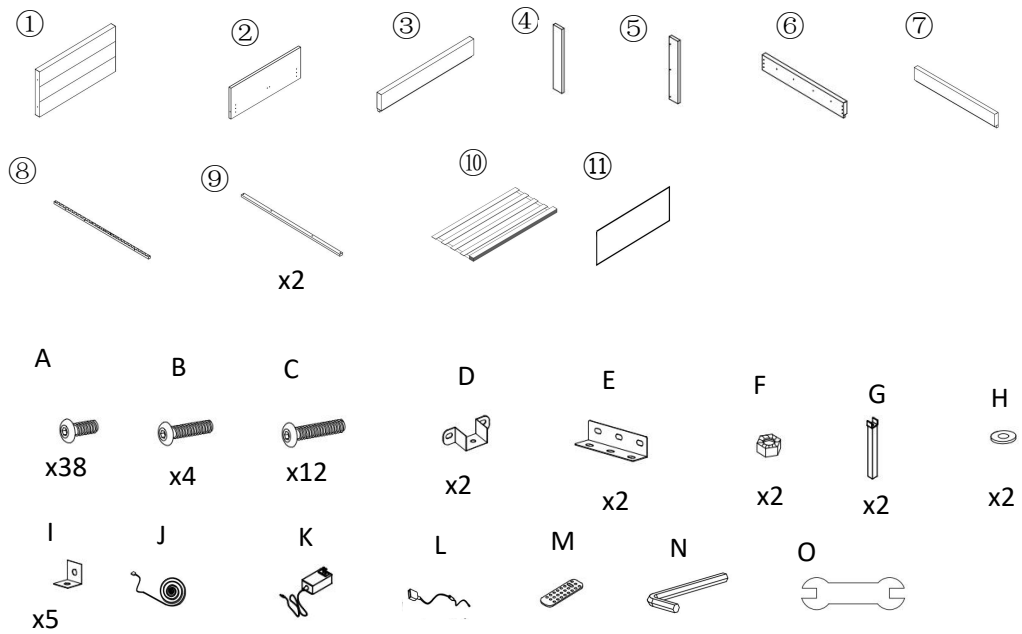
No.	Picture	Description	Qty
①		Headboard	1
②		Panel	1
③		Footboard	1
④		Side wings-Right	1
⑤		Side rails-Left	1
⑥		Side rails-Right	1
⑦		Side rails-Left	1
⑧		Side Bars	2
⑨		Middle bar	1
⑩		Straight Slats	1
⑪		Back of Fabric	1

Hardware

No.	Picture	Description	Qty
A		Bolts(M8*18mm)	38
B		Bolts(M8*40mm)	4
C		Bolts(M8*50mm)	12
D		Metal Brackets	2
E		Corner Brackets	4
F		Nut	2
G		Middle feet-U shape(24cm)	2
H		Washer	2
I		Metal Brackets	5
J		LED strip	1
K		Plug	1
L		Connection	1
M		Controller	1
N		Allen Wrench	1
O		Spanner	1

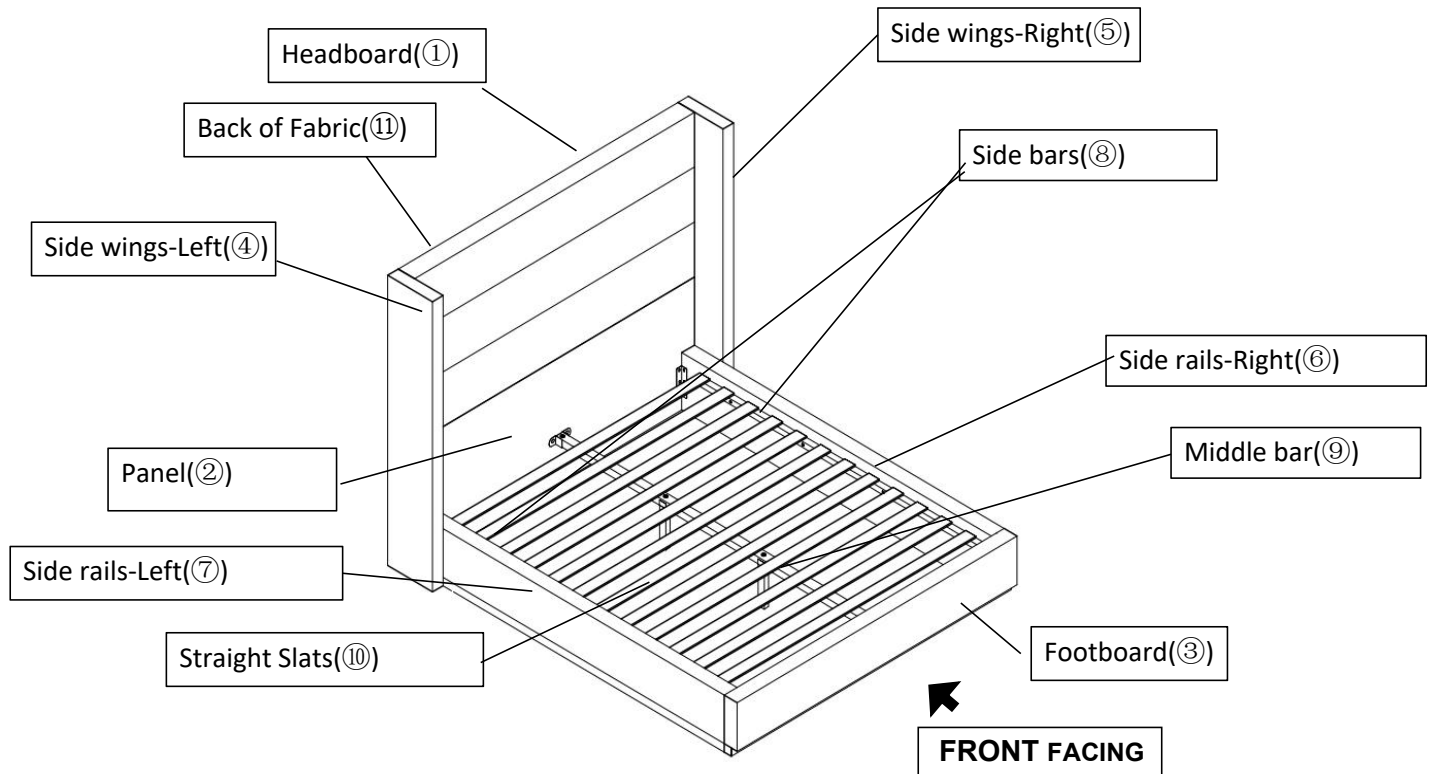
Assembly Preparation

Before Beginning Assembly:



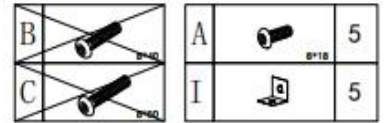
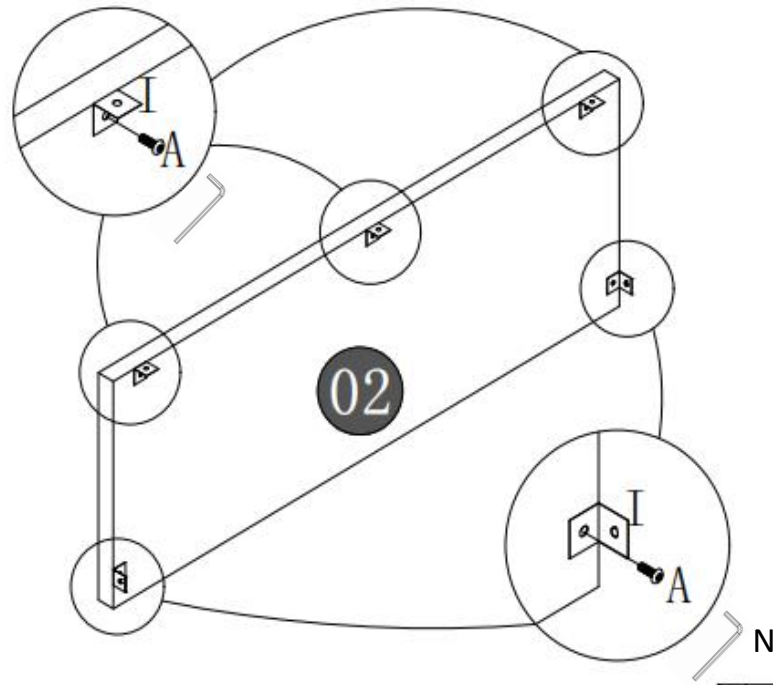
- Read instructions, cover to cover-
- Have 2 or 3 adults on hand for assembly-
- Do not assemble on flooring or carpet-
- Assemble on a clean non-marring surface (packing foam)-
- Save all packaging until finished-

Assembly Steps



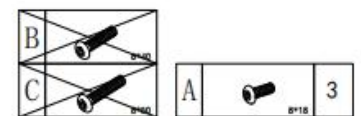
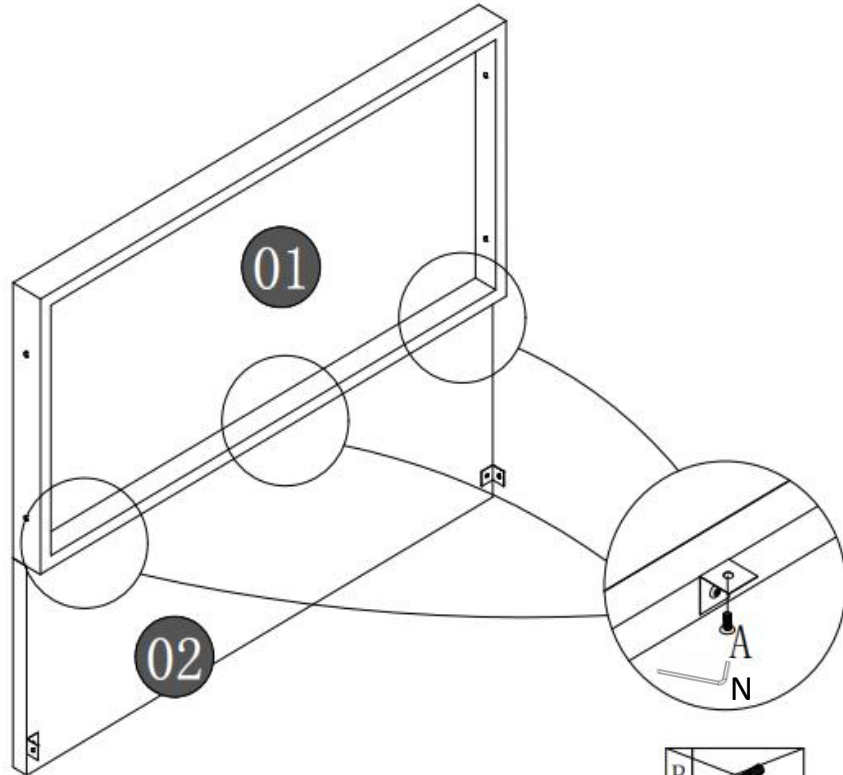
This Bed has multiple parts and may require up to 60 minutes to assemble. To give you an overview of the Bed parts, the above picture is to help you put the various Bed parts into perspective. Please read through the instructions below to familiarise yourself with the parts and steps before assembly.

Step 1



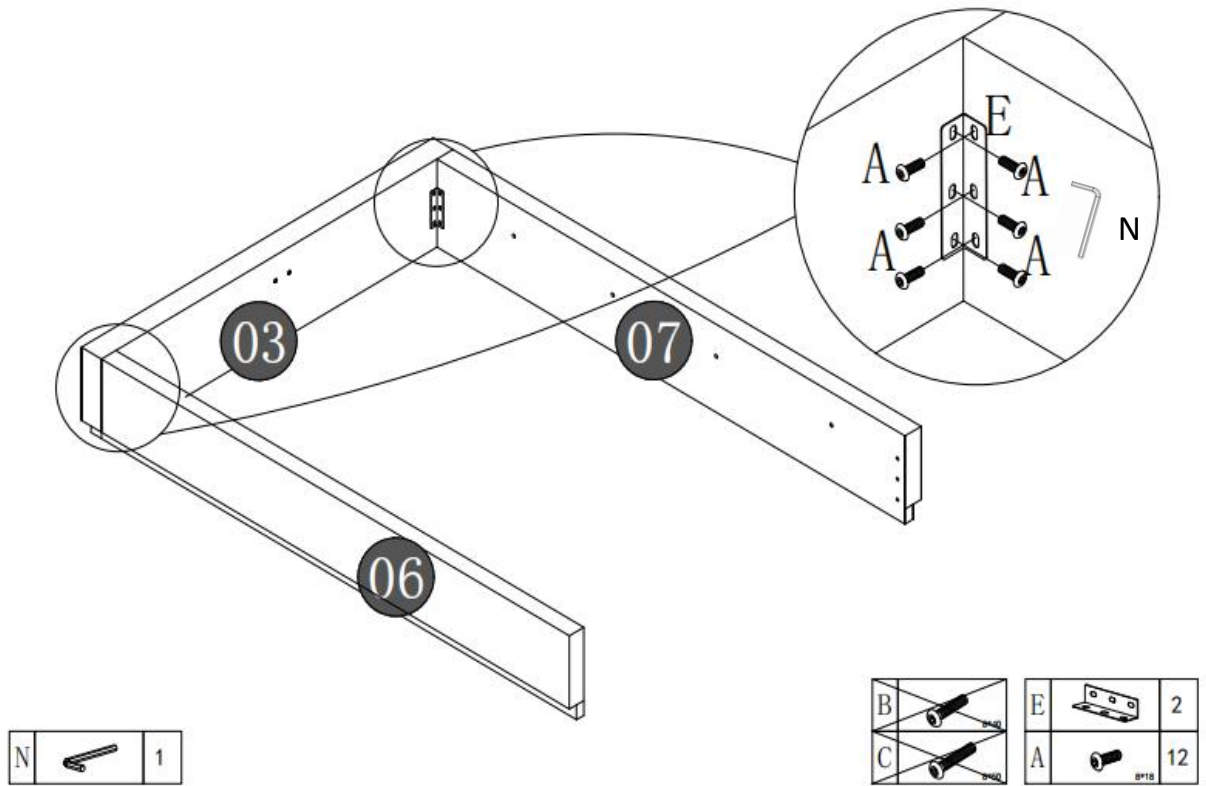
Attach the Metal Bracket(I) to the back of the Panel(②) using Bolts (A) and Allen Wrench (N), show as above. Please note that the shapes of Bolts (A) and (B) and (C) are similar. Please install according to the instructions and distinguish them!

Step 2



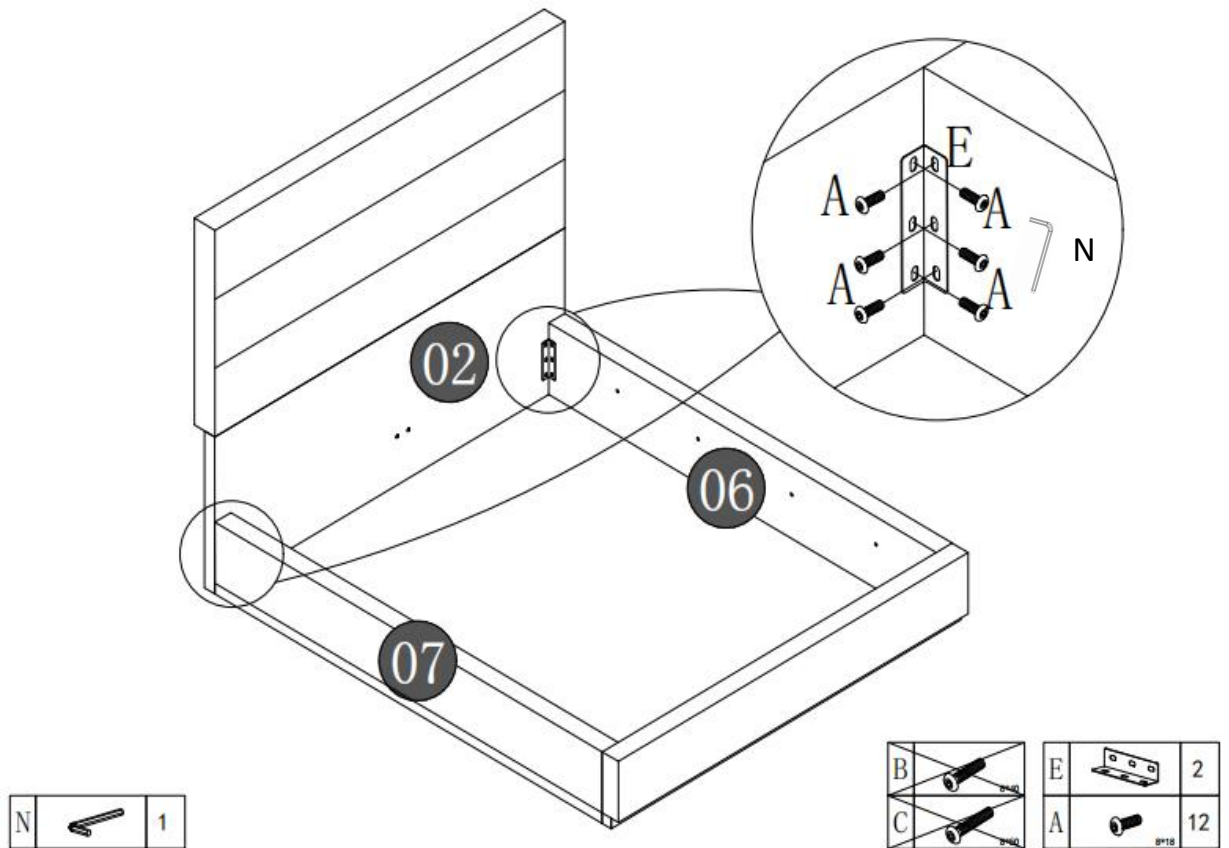
Attach the Metal Bracket(I) to the bottom of the Headboard(①) using Bolts (A) and Allen Wrench (N), show as above. Please note that the shapes of Bolts (A) and (B) and (C) are similar. Please install according to the instructions and distinguish them!

Step 3



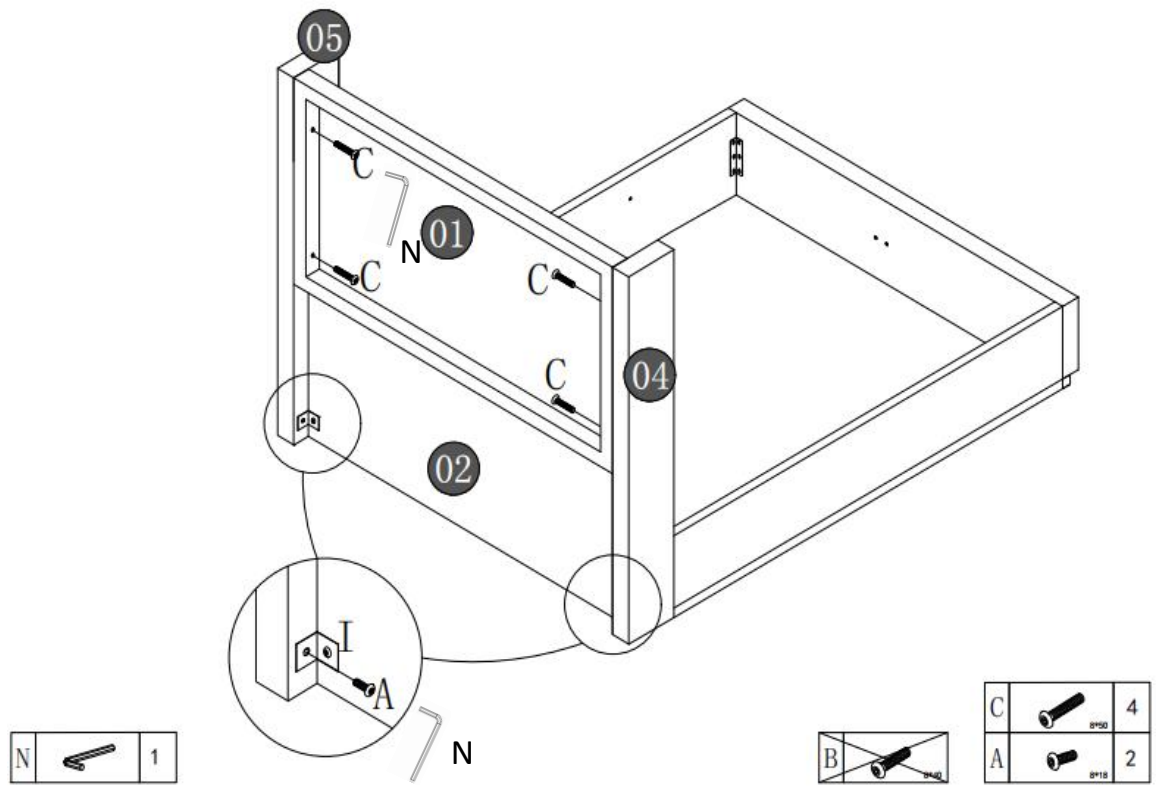
First put Side rails-Left(⑦) together with the left side of Footboard(③). The Footboard(③) and Side rails-Left (⑦) are assembled using Bolts(A) and Corner Brackets(E). Show as above
Second place Side rails-Right(⑥) with the right side of Footboard(③) and connect the two sections using Bolts(A) and Coner Brackets(E).
Please note that the shapes of Bolts (A) and (B) and (C) are similar. Please install according to the instructions and distinguish them!

Step 4



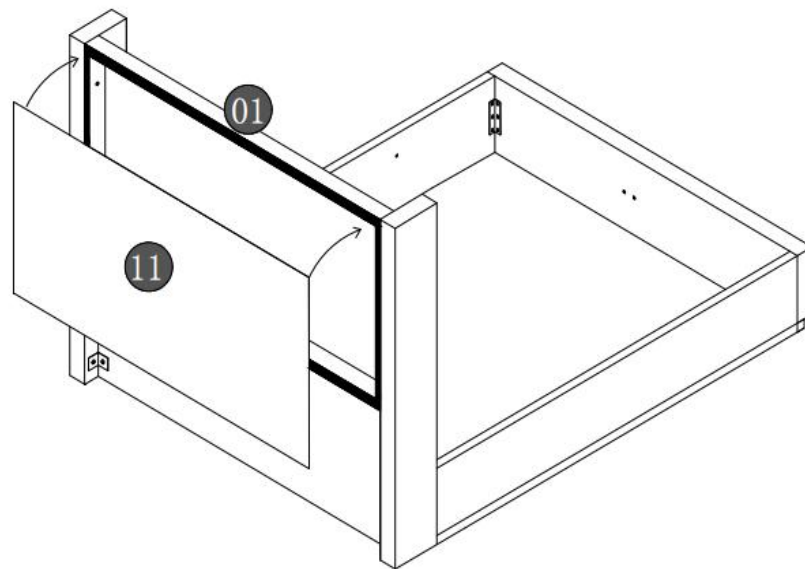
First put Side rails-Right(⑥) and Panel(②) together, then assemble them using Bolts(A) and Metal Brackets(E).
Second put Side rails-Left (⑦) and Panel(②) together, then assemble them using Bolts(A) and Metal Brackets(E).
Please note that the shapes of Bolts (A) and (B) and (C) are similar. Please install according to the instructions and distinguish them!

Step 5



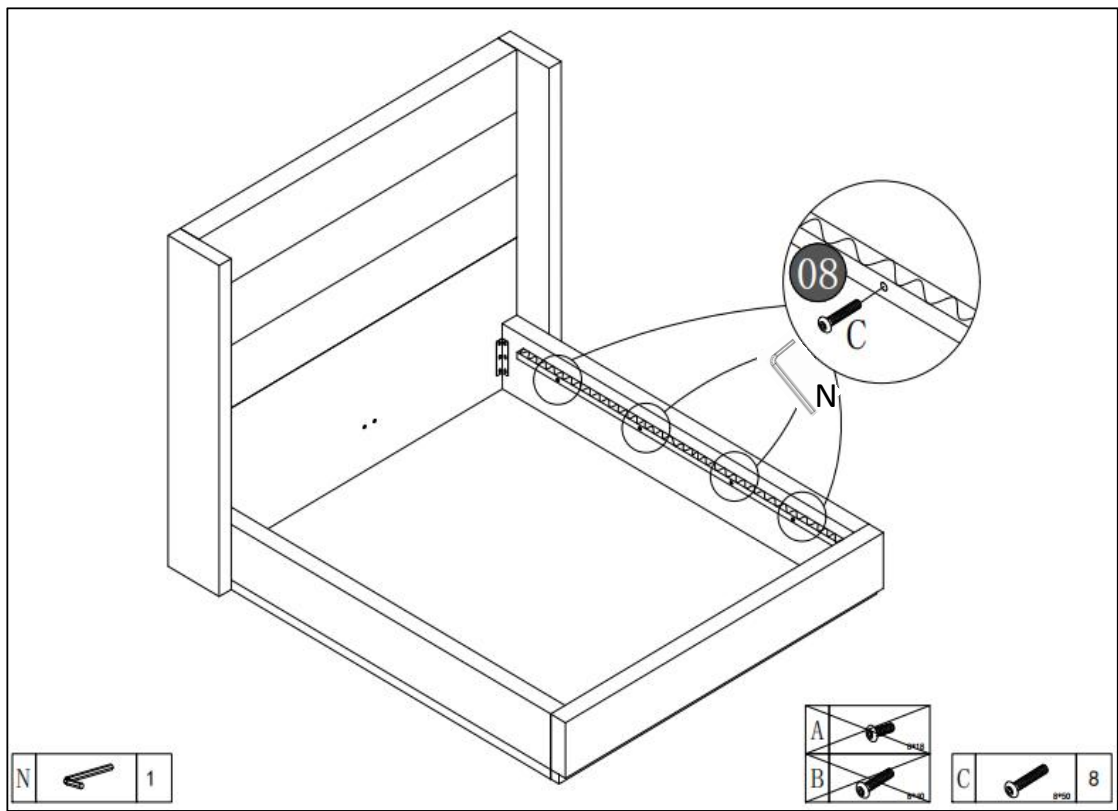
First assemble the Side wings-Left(④) attached to left of the Headboard(①), then using the Bolts(C) and Allen Wrench(N) to connect the two parts, and please repeat this step the right side.
Second assemble the bottom of Side wings-Left(④) attached to Side rails-Left(⑦), then using the Bolts(A) and Allen Wrench(N) to connect the two parts, and please repeat this step the right side.
Please note that the shapes of Bolts (A) and (B) and (C) are similar. Please install according to the instructions and distinguish them!

Step 6



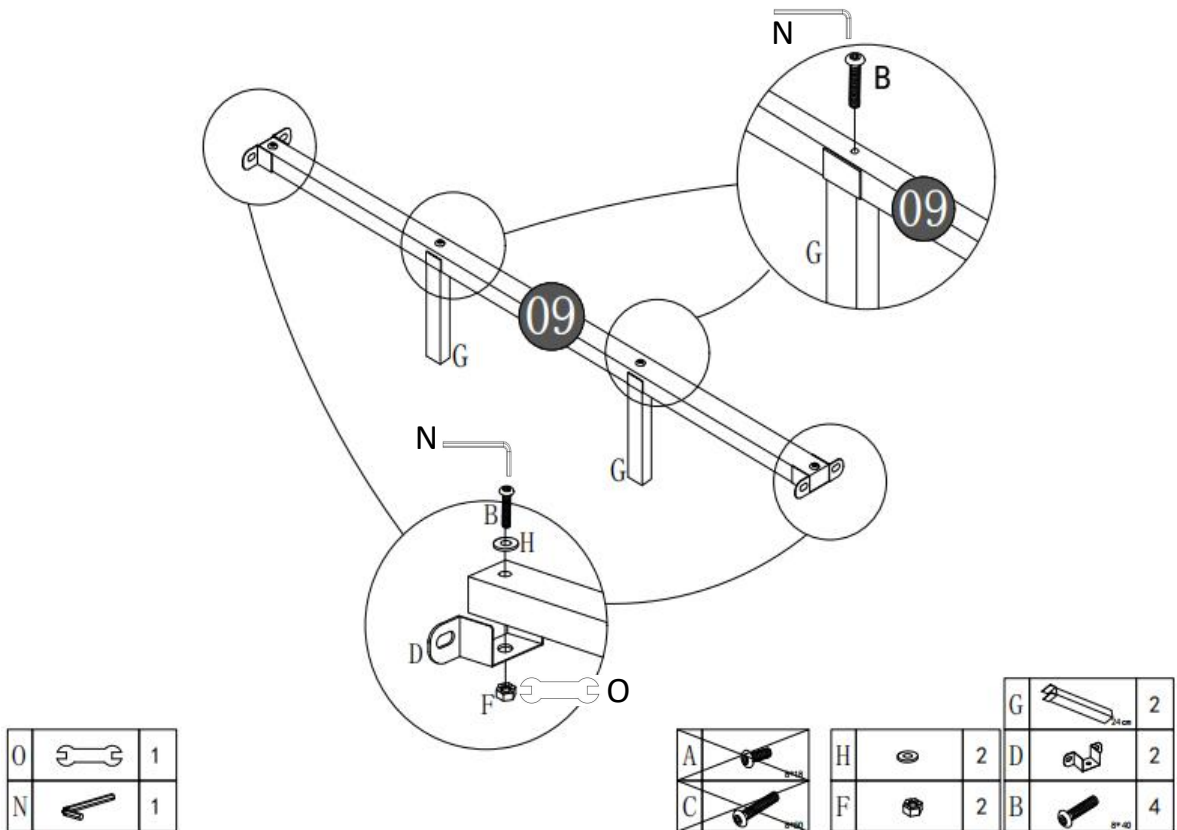
Attach Back of Fabric(⑪) to the back velcro of Headboard (①)

Step 7



Assemble the Side bars(③) into the Side rails-Right(⑥) using Allen Wrench(P) and Bolts(A) Up.
 And please repeat this step the left side.
 Please note that the shapes of Bolts (A) and (B) and (C) are similar. Please install according to the instructions and distinguish them!

Step 8

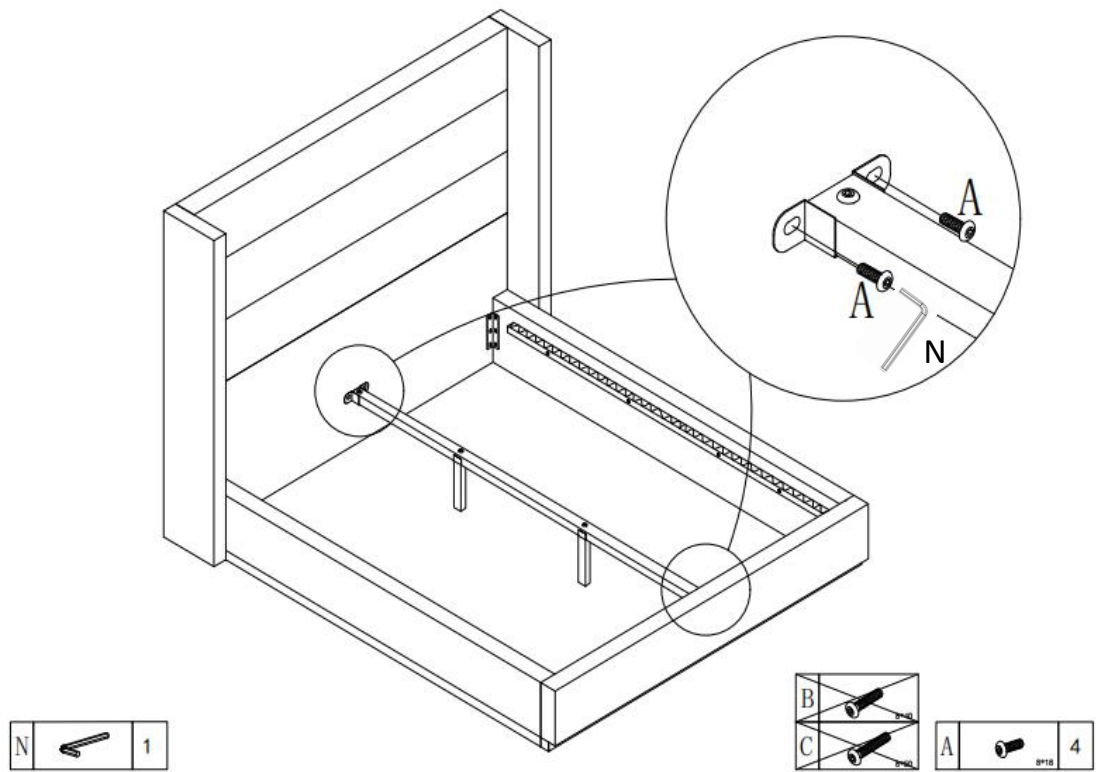


First, Using the tools Allen Wrench(N) ,Spanner(N) ,and using the Bolts(B) ,Nut(F) and Washer(H) to make the Metal Brackets(D) to assemble the Middle bars(⑨) together.And please repeat this step to the antoher side.

Second,Assemble the Middle feet-U shape(24cm) and Middle bar(⑨) together using Allen Wrench(N) and Bolts(A).

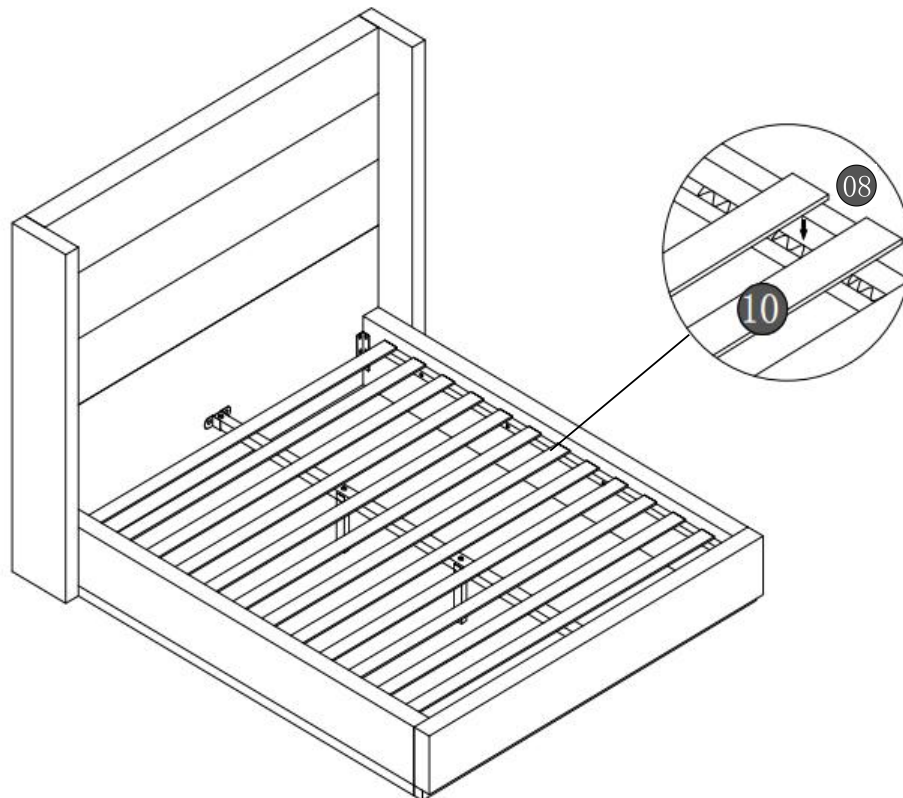
Please note that the shapes of Bolts (A) and (B) and (C) are similar. Please install according to the instructions and distinguish them!

Step 9



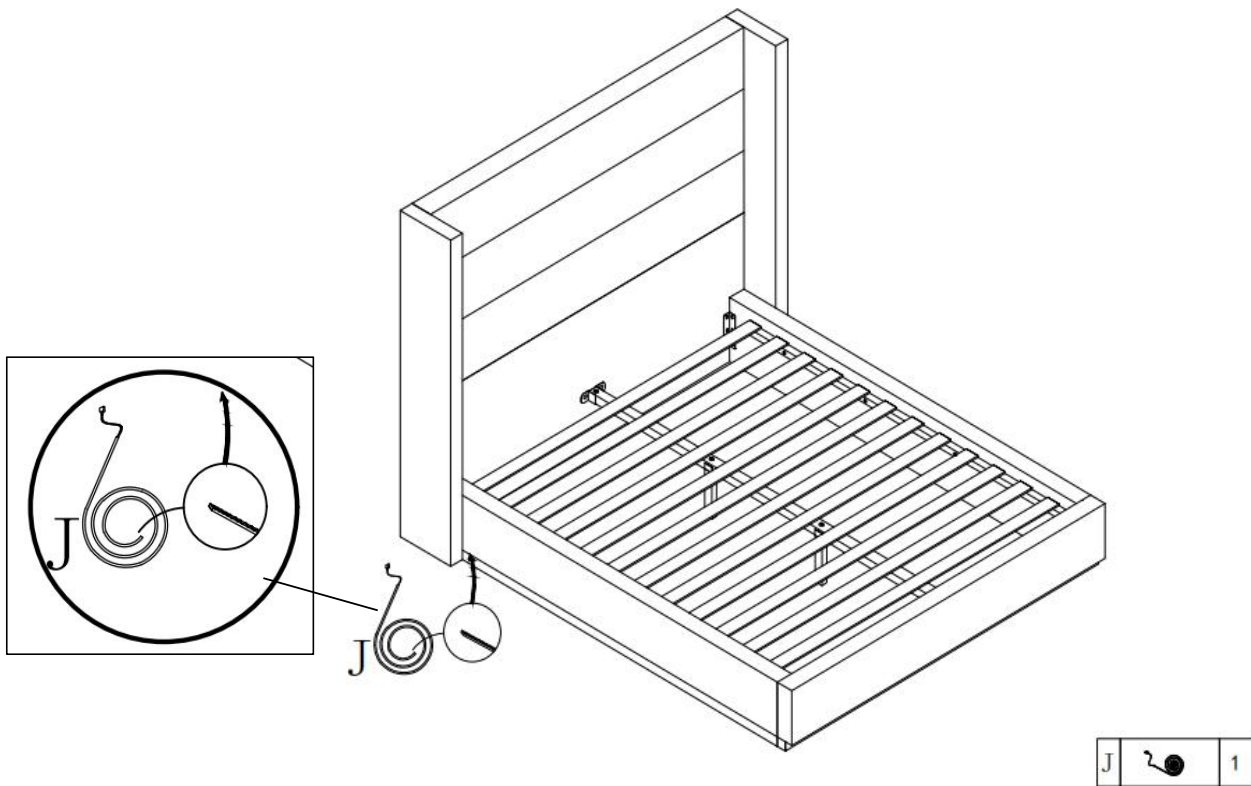
Assemble the Metal Brackets(D) into the Panel(②) and Footboard(③) using Allen Wrench(N) and Bolts(A) Up. Please note that the shapes of Bolts (A) and (B) and (C) are similar. Please install according to the instructions and distinguish them!

Step 10



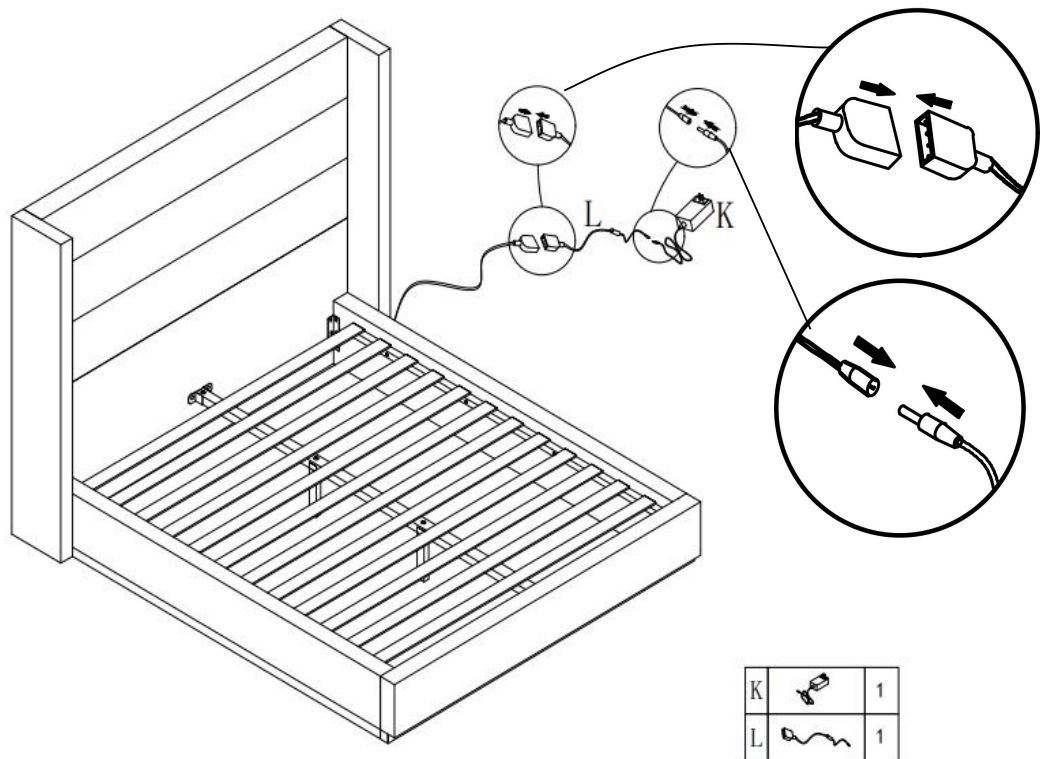
Lay the Staright slats(⑩) Velcro flat on the Side bar(⑧).

Step 11



Attach the Velcro LED strip(J) to the bottom of the Side rails-Left(⑦),Footboard(③) and Side rails-Right(⑥).

Step 12



Connect the LED strip(J)to the Power supply(K) through Cortonller(L), and the LED strip(J) can be used after the power is powered on.You can also scan the QR code to find out more about how to use the LED light.

Your Bed is ready for use.

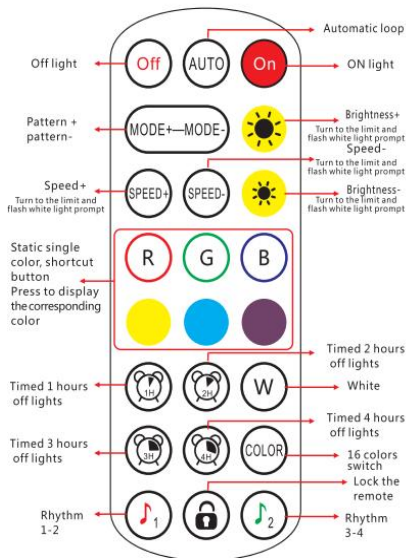
Note: After assembly and before using the bed, inspect to make sure all parts are properly connected and securely fastened.



WARNING

Serious or fatal crushing injuries can occur from tipping furniture. To help prevent tip-over: ALWAYS secure this furniture to the wall using a Safety Restraint Device.See product instructions for more ways to help prevent furniture tip-over.

LED2022-24KEY



Rhythm 1-2: Single click to switch to 1-2 rhythm mode
 Rhythm 3-4: Click to cycle through the 3-4 rhythm mode
 Remote control lock: After pressing, the remote control is locked, pressing the switch is available, other keys are invalid. After pressing once, the unlock button can be used. After the remote control is locked, press the switch to unlock the remote control.

1

LotusLantern APP Manual

1. Software Overview

1.1 Overview
 LotusLantern is a mobile APP to control LED strip by both IOS and Android phones. The traditional control ways like infrared, 433MHz, 2.4GHz and others old wired ways will be replaced by mobile phone control way with convenient, powerful and scalable features.

Through this mobile APP, you can not only control the color, brightness and color temperature of the LED strips but also set up all kinds of fancy flash mode; Also this APP can change the light of the LED strip according to the rhythm of the music. This APP can set and control several LED strips through Bluetooth and the operation is very simple, easy to learn and easy to use.

1.2 Features

- Adjust color LED strips with 60,000 colors to change color and brightness and adjust monochrome LED strips to change brightness and color temperature
- Play music or turn on a sound playback device, you can let the light change the color and brightness with the rhythm of music, the music rhythm beautiful
- Inside multiple setting mode for color change and control LED strips without mobile
- Long distance control with omni-directional antenna, and many-to-many group control mode
- Once the connection is successful, connect automatically next time.

1.3 Performance

LotusLantern APP is easy for use as well as great compatible with all kinds of smart phones; After the actual test of hundreds of mobile phones verification, the compatibility is above 95% of mobile phones in the market. APP is small and convenient, it consumes less system resources, so the requirements of the mobile configuration are low. Control delay is small, the operation feels good, light control is smooth with people's visual sense.

2. Operating Environment

This APP program requires phones of system above Android 4.3 and IOS 8.0. Mobile phone configuration is not limited.

3. Instructions

Note: Android version and IOS version download and use the same method, here in the Android version as an example.

3.1 APP Download

Scan the QR code
 IOS and Android systems can download the "LotusLantern" APP by scanning the QR code. Open the browser or other tools with "Scan QR code" function, scan the "LotusLantern" QR code as below:



2

3.2 App Operation

(1) Click on the LotusLantern APP Icon, enter the APP page:



(2) After entering the APP interface, if Bluetooth is not enabled, "an application wants to enable the Bluetooth function of this device." Click [Allow]



(3) switch to color and brightness interface:



3

(4) click to show the lamp list, view lamp list:



(5) Click to RGB manual adjustment view:



(6) switch to the mode interface:



4

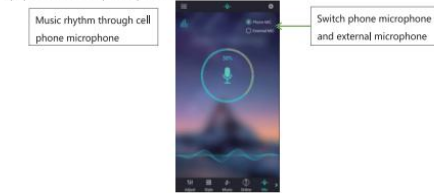
(7) switch to the music rhythm interface:



(8) Switch to the online music interface:



(9) Switch to the microphone rhythm interface:



5

(10) Switch to the schedule interface:



(11) Switch to the modify pin sequence interface:



6

If you can't make the lights work successfully, please check the following:

1. Please check the remote control. You need to tear off the remote plastic septum before use.
2. Don't let the remote control be too far from the receiver. There is no obstacle between them.
3. Please note that the remote control does not contain batteries for transportation. The battery model is: CR2025

NOTE: The battery in the remote control requires you to purchase and install it yourself.
Model: CR2025 3.V

