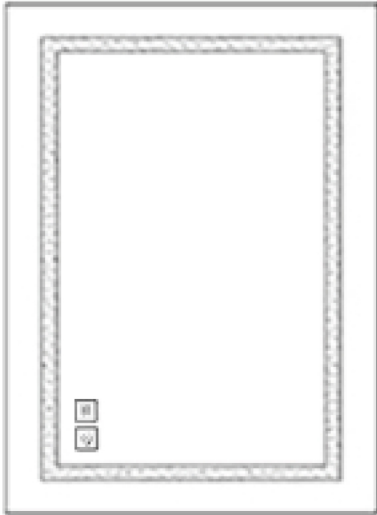
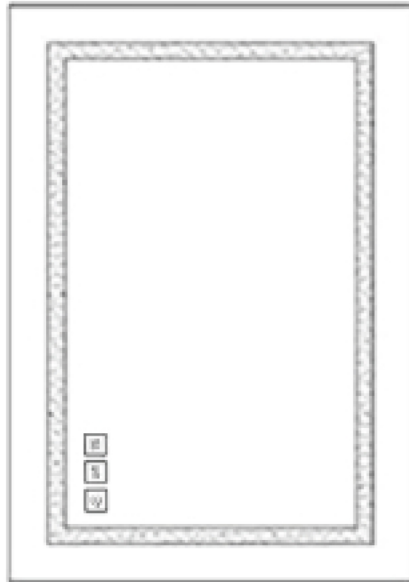


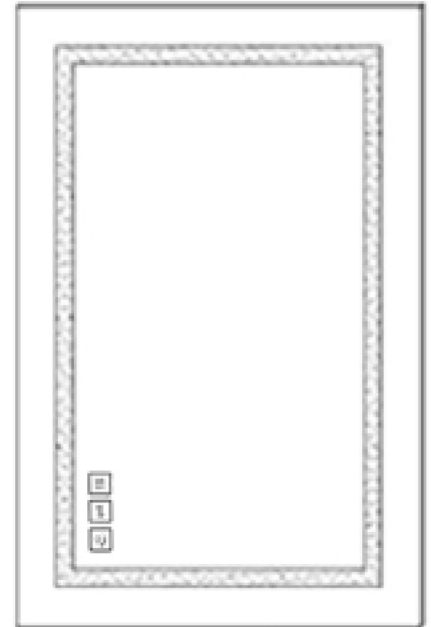
# Installation and Operating Manual



**24\*32in**



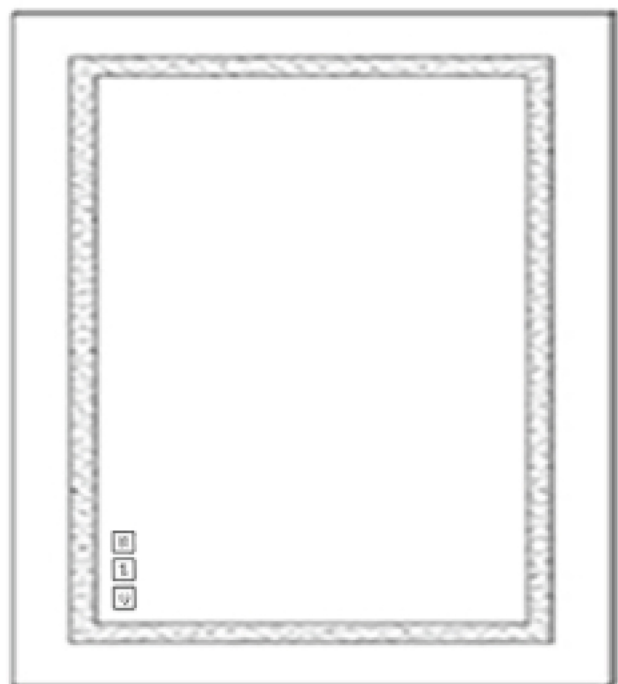
**28\*36in**



**30\*36in**



**36\*42in**



**36\*48in**

# Function list

SIZE	24*32	28*36	30*36	24*40	36*48
VERTICALLY & HORIZONTALLY	✓	✓	✓	✓	✓
ANTI FOG	✓	✓	✓	✓	✓
THREE TEMPERATURE	✓	✓	✓	✓	✓
DIMMING	✓	✓	✓	✓	✓
POWER PLUG	✓	✓	✓	✓	✓
WALL SWITCH CONTROL	✓	✓	✓	✓	✓
LIGHT MRNORY	✓	✓	✓	✓	✓
BOTTEN CONTROL	2	3	3	3	3
ETL CERTIFICATED	✓	✓	✓	✓	✓

## WARNING AND SAFETY INSTRUCTIONS

Before assembling your LED Lighted Mirror fixture, please make sure that you carefully read through this instruction sheet, refer back to them during installation to ensure your product is fitted safely and correctly. Keep these instructions for future use.

### **WARNING** Risk of Fire and Electric Shock

- All fittings must be installed in accordance with current IEE wiring regulations. If in doubt, consult a qualified electrician.
- Switch off the electrical supply at the main circuit board BEFORE installation and maintenance.
- Suitable for indoor use only. This product should be positioned well away from curtains and fabrics. Never cover the mirror.
- Regularly check the cord, the transformer and all other parts for damage. If any part is damaged the product should not be used.

### INSTALLATION SAFETY

- Inspect the product immediately upon receipt for the transit damage or missing parts. Handle the product with care and protect against knocks to all sides and edges of the glass.
- Ensure there are no hidden pipes or cables in the wall before drilling.
- Wear suitable eye protection when drilling. Take care if drilling on tiled surfaces in case the drill slips.



### **CAUTION**

The light source of this product is non-changeable light diodes (LED). Do not disassemble the product, as the light diodes can cause damage to the eyes.

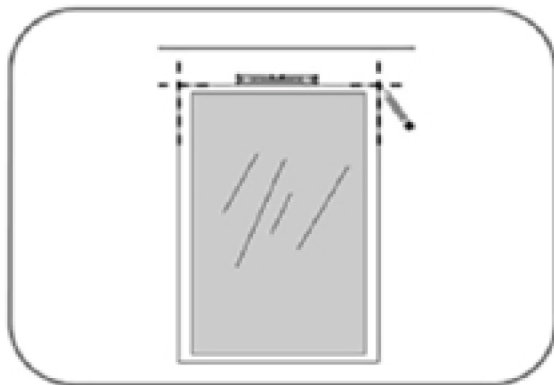
**NOTE:** The important safeguards and instructions that appear in this manual are not meant to cover all possible conditions and situations that may occur. It must be understood that common sense, caution and care, are factors that can't be built into any product. These factors must be supplied by the person(s) caring for and operating the fixture. Do not install this fixture in hazardous locations.

---

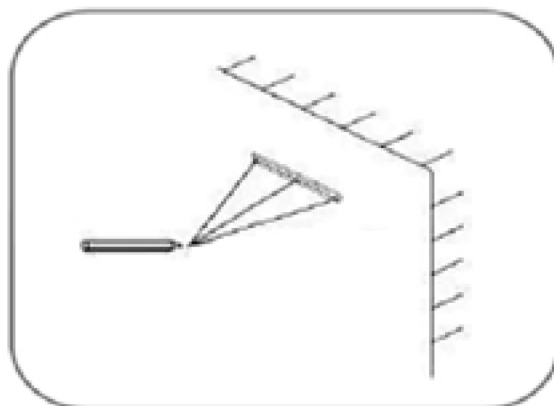
## CHECK PRODUCT LIST AFTER OPENING THE PACKAGE

- LED Lighted Mirror --1 pce
- Screws for wall --4 pcs
- Type A Plastic Anchor --4 pcs
- Type B Plastic Anchor --4 pcs
- Mounting bar --1 pcs
- Installation Manual --1 pcs

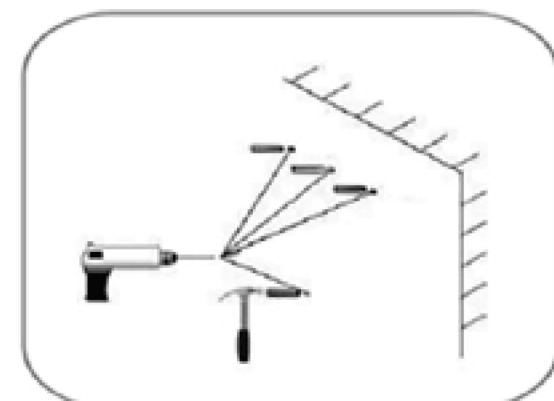
## INSTALLATION MANUAL



1 Level and mark the location.



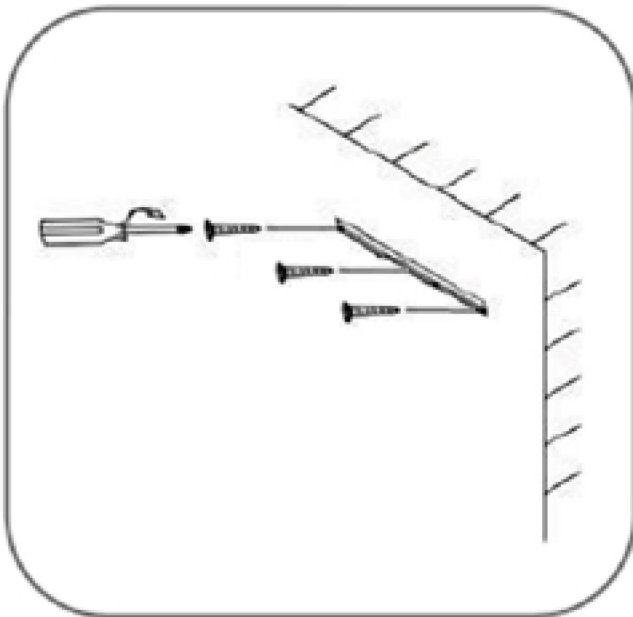
2 Place the mounting bar against the wall and make some marks on the wall.



3 Drill the holes and place the suitable plastic anchors.

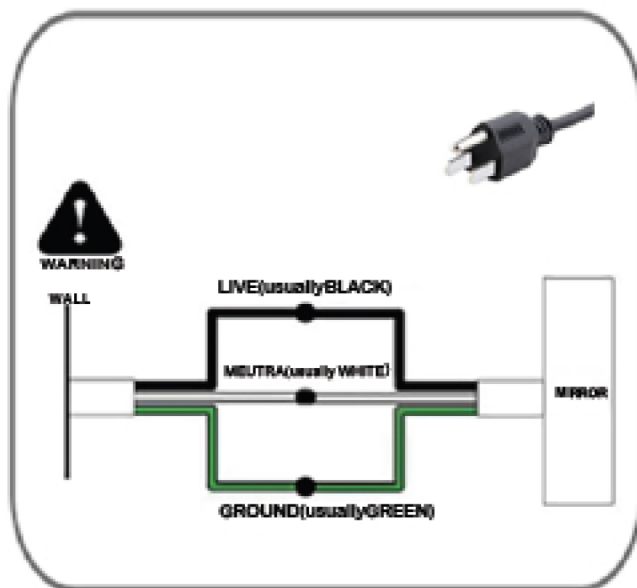
## TOOLS YOU MAY NEED





4

Screw the mounting bar onto the wall with the screws.

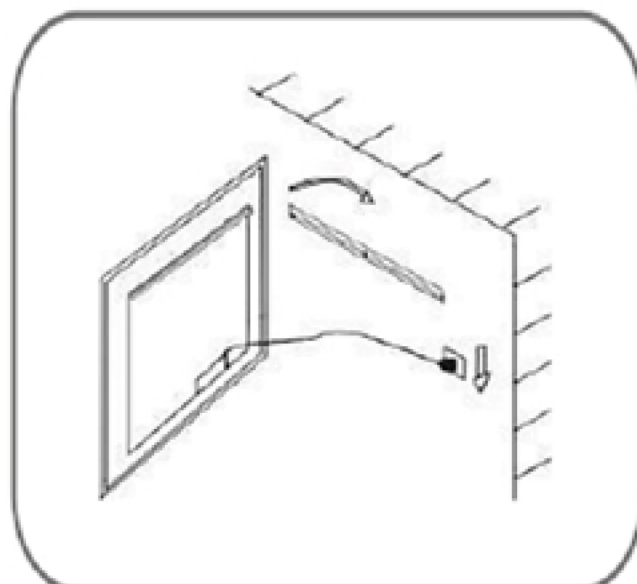


5

Connect the mirror with the main supply.

- We provide plug with mirrors.
- Optional to cut the plug directly, then connect to electrical wiring if using wall switch.

**ATTENTION:**  
**PLEASE CUT OFF THE MAIN POWER SUPPLY BEFORE WIRING!**



6

Hang the mirror onto the mounting bar.

## OPERATION INSTRUCTION

---

### ON/OFF and Dimmer



- Button turns blue when connected to main supply.
- Button always on as long as connecting to main supply.

- Short - touch the button to turn on/off the mirror.
- Long touching the button to adjust the brightness (Dimming).
- Optional to be wired to wall switch by ON/OFF memory function.

---

### CCT adjustment



- Adjusting color temperatures (CCT) between warm white and cool white by shortly press the button.
- Finish setting by withdrawing your finger when the color reaches the one you need.

---

### Anti-Fog Function



Defogger button

- Mirror begins to be warm and defog after pressing the defogger button. Press again to quit the anti-fog function.
  - Note: The defogger will stop automatically after 60 minutes of continuous operation to prevent any damage caused by prolonged high temperature.
-

## AFTER CARE INSTRUCTIONS

Clean using a soft dry cloth only when turned off. Never use cleaning agents or abrasive materials. Do not allow moisture to come into contact with lamp.

---



# Customer service



[sales@toolkiss.com](mailto:sales@toolkiss.com)



+1(832)4797417

We wish you have wonderful experience in our product. If you have any other needs or queries, please feel free to contact us, and get replies within 48 business hours.

We sincerely hope to provide customers with high-quality products and considerate service. Improving the customer's shopping experience should be the absolute priority of our sellers, thank you.

---