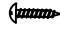

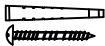
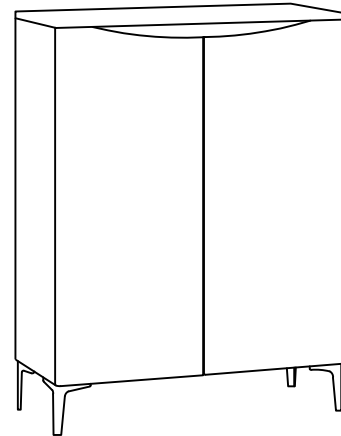


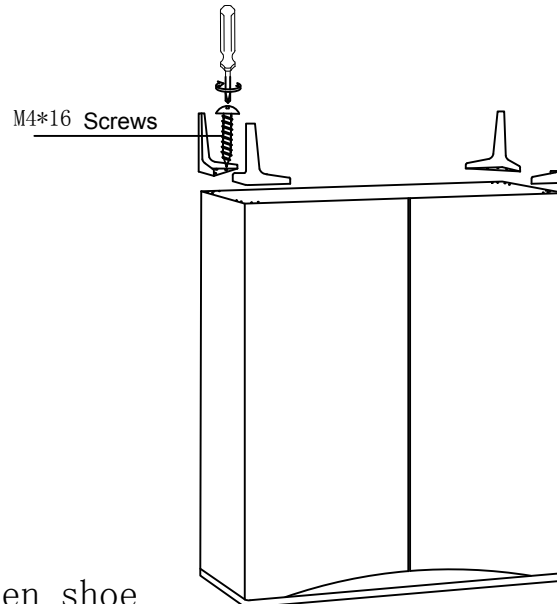
3XG07-XG01D1-80 Assembly Instructions

Parts list

NO	Description	Schematic diagram	Specification	Quantity
1	Screws		M4*16	16PCS
2	Metal feet		130mmH	4PCS
3	Anti tipping screw			2PCS



Step1: Foot to cabinet connection.



Step2: Connection between shoe cabinet and wall
Drill holes on the wall, embed expansion pipes in the wall, and connect screws through the back panel of the shoe cabinet to the wall.

