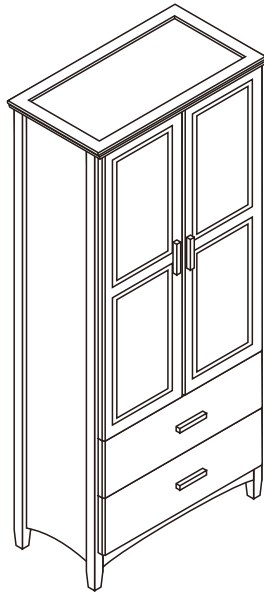










WP FURNITURE / INSTRUCTIONS

WARDROBE

Need Assistance? - 315-7580-751 - Text
email: lori@shopwp.com



①		Φ1/4''x 2''	x8
②		Handle	x4
③		Φ1/8''x1/2''	x24
④		Φ0. 31x1.1/8''	x6
⑤		Screwdriver	x1
⑥		Glue	x1
⑦		Snap	x16
⑧		Clothes-hook	x2
⑨		Hinge	x6
⑩		Shelf Support Pin	x4
⑪		Slide	x2
⑫		Φ1/4''x 1''	x18
⑬		Confirmat Screw	x10
⑭		Allen Key	x1
⑮		Tipping Restraint	x2

* **Extra screw for your commitment.**

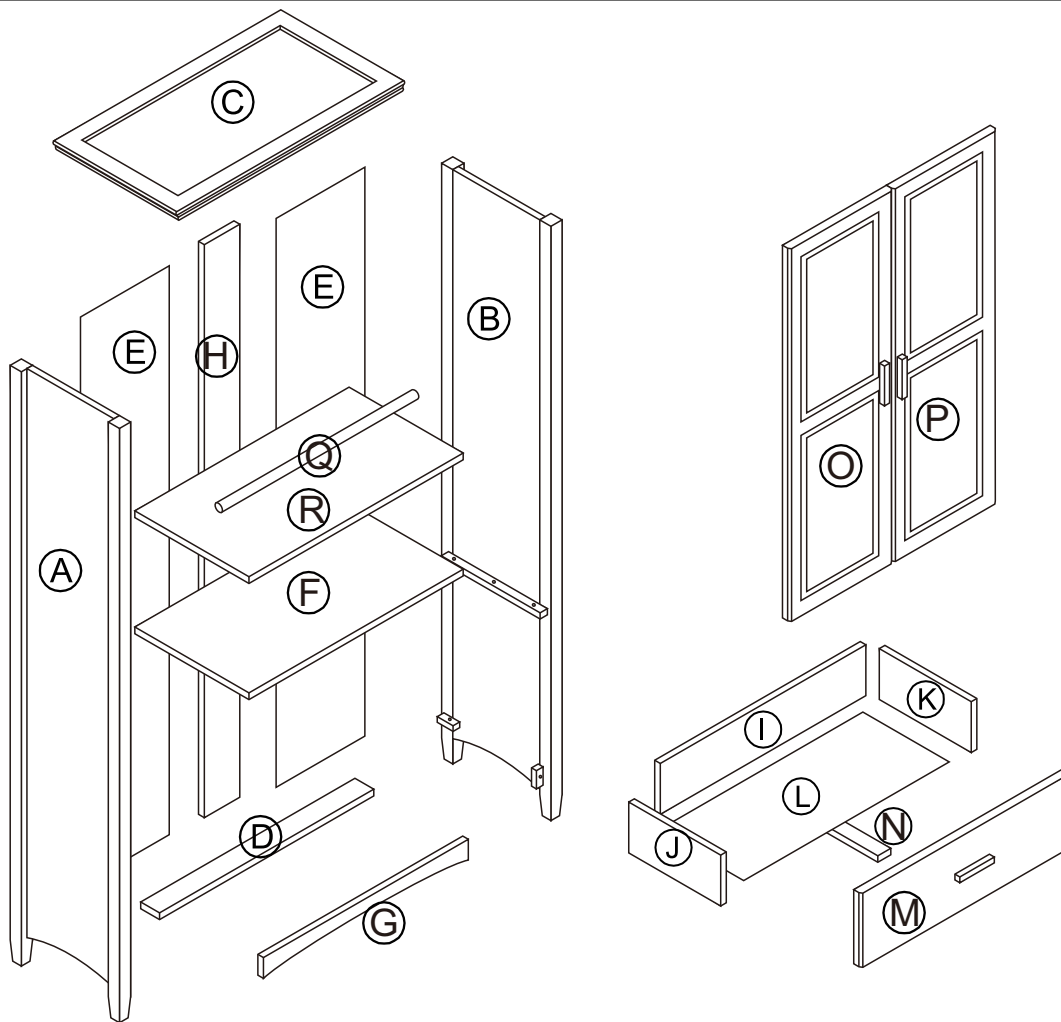
* **Please assemble flat or nice service.**

"Congratulations on Your Recent Purchase! Here Are Some Tips Before You Begin Assembling:"

"Preparing for your exciting new purchase? Be sure to set yourself up for a smooth assembly process by following these steps:"

- First, we recommend using a rug or any large clean surface as your workspace to provide a sturdy base for assembly.
- Next, it is important to separate all components and identify each part by their designated letters. This will make it easier to follow the assembly instructions and ensure all pieces are placed correctly.
- Additionally, on a clean surface separate and identify all screws lengths and hardware. You can use the assembly instructions as a guide and place the screws on top of the actual size pictured. This will save you time and confusion during the assembly process.
- Finally, we highly encourage you to carefully read through the assembly instructions and start from step one. Follow each step diligently until your new purchase is fully assembled. However, if you have any questions or need further assistance, please do not hesitate to reach out to us via email.

**Thank you again for choosing our product.
We wish you all the best and happy assembling!**



Parts list

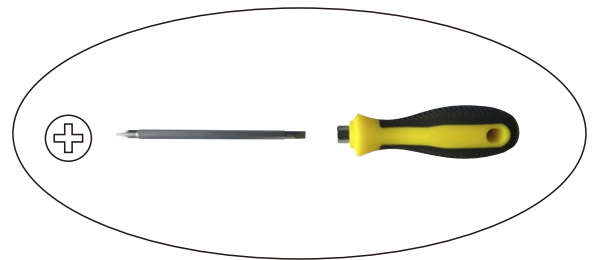
A	Left side panel	1pc
B	Right side panel	1pc
C	Top panel	1pc
D	Back kick plate	1pc
E	Back panels	2pcs
F	Shelf board	1pc
G	Kick plate	1pc
H	Center support	1pc
I	Drawer back panels	2pcs
J	Left drawer side panels	2pcs
K	Right drawer side panels	2pcs
L	Drawer bottom panels	2pcs
M	Drawer fronts	2pcs
N	Drawer bottom supports	2pcs
O	Left door	1pc
P	Right door	1pc
Q	Clothes rod	1pc
R	Movable shelf	1pc

EACH PART IS LABELLED ACCORDING TO THE PARTS LIST

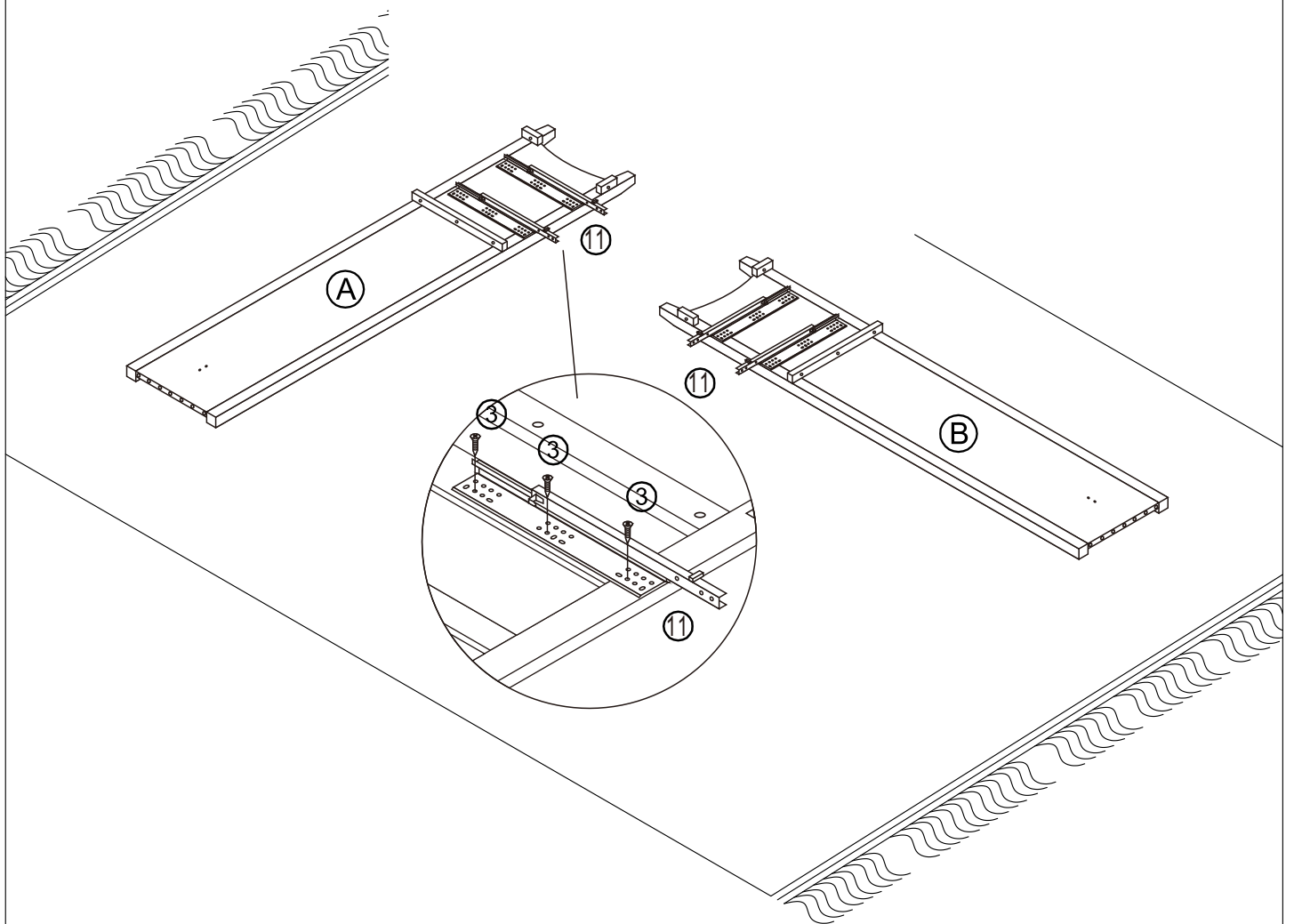




Before starting assembly
please verify if all parts and
hardware are included

STEP 1

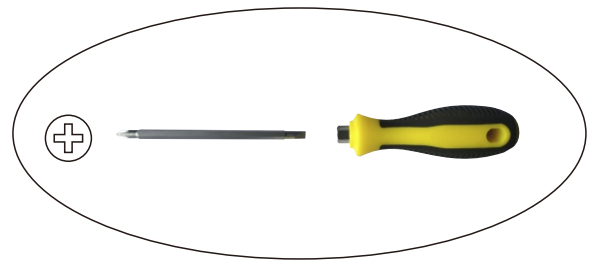


Please use Philips tip insert.

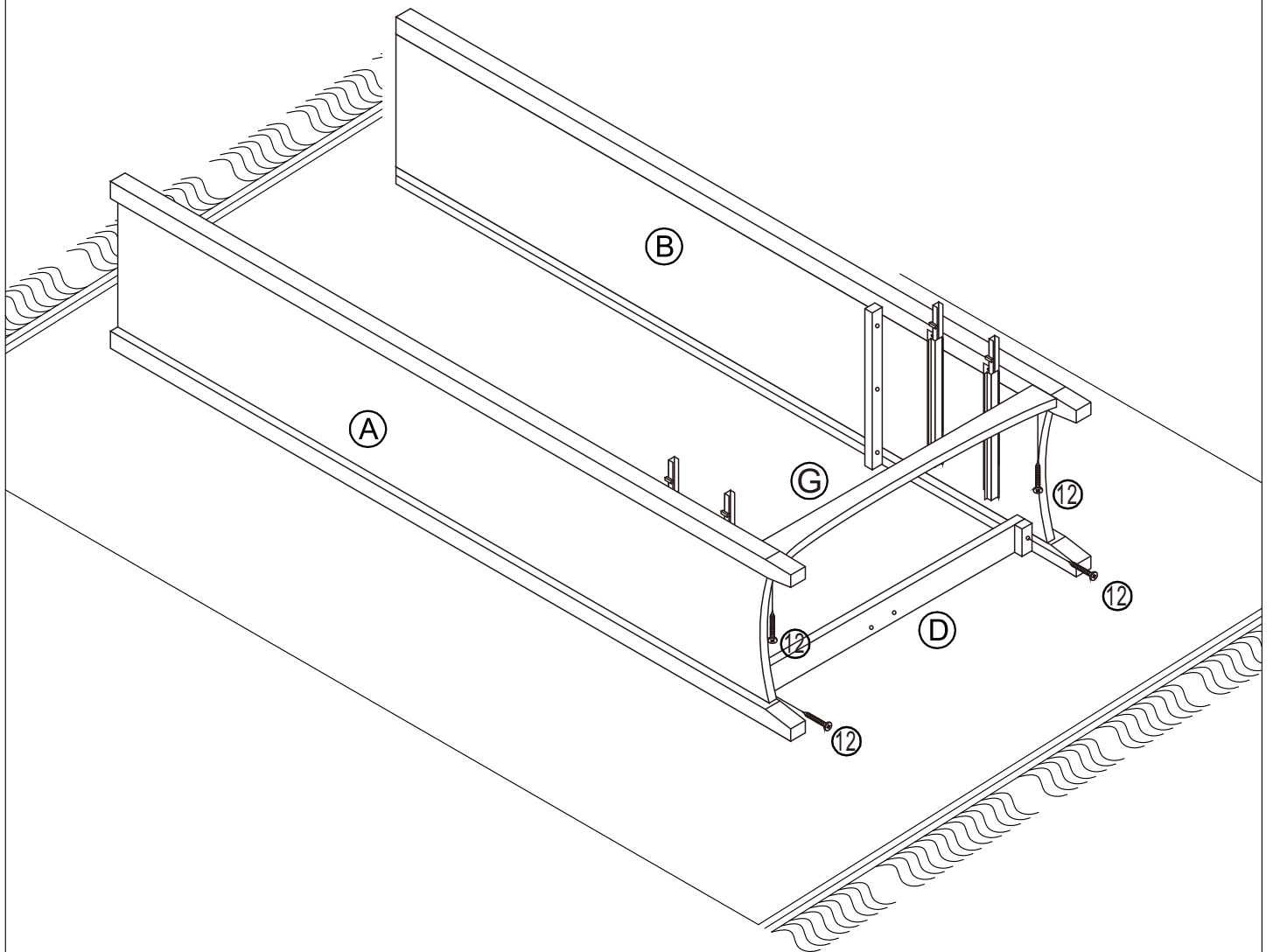



③		Φ1/8"x1.1/2"	x12
⑪		Slide	x2

STEP 2

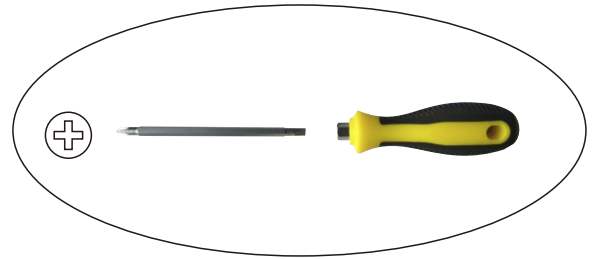


Please use Philips tip insert.

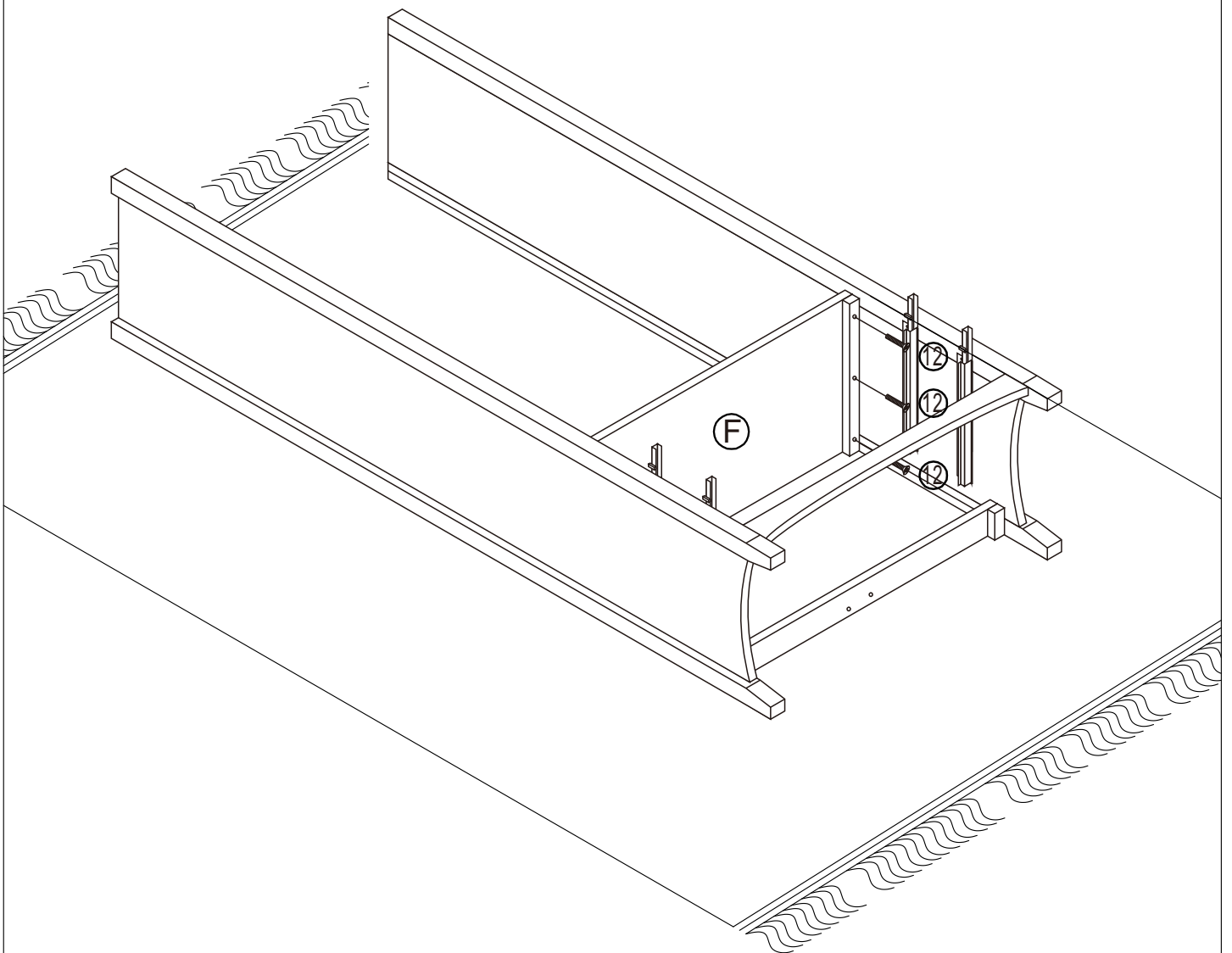


⑫		Φ1/4" x 1"	x4	Page 5/18
---	---	------------	----	-----------

STEP 3



Please use Philips tip insert.



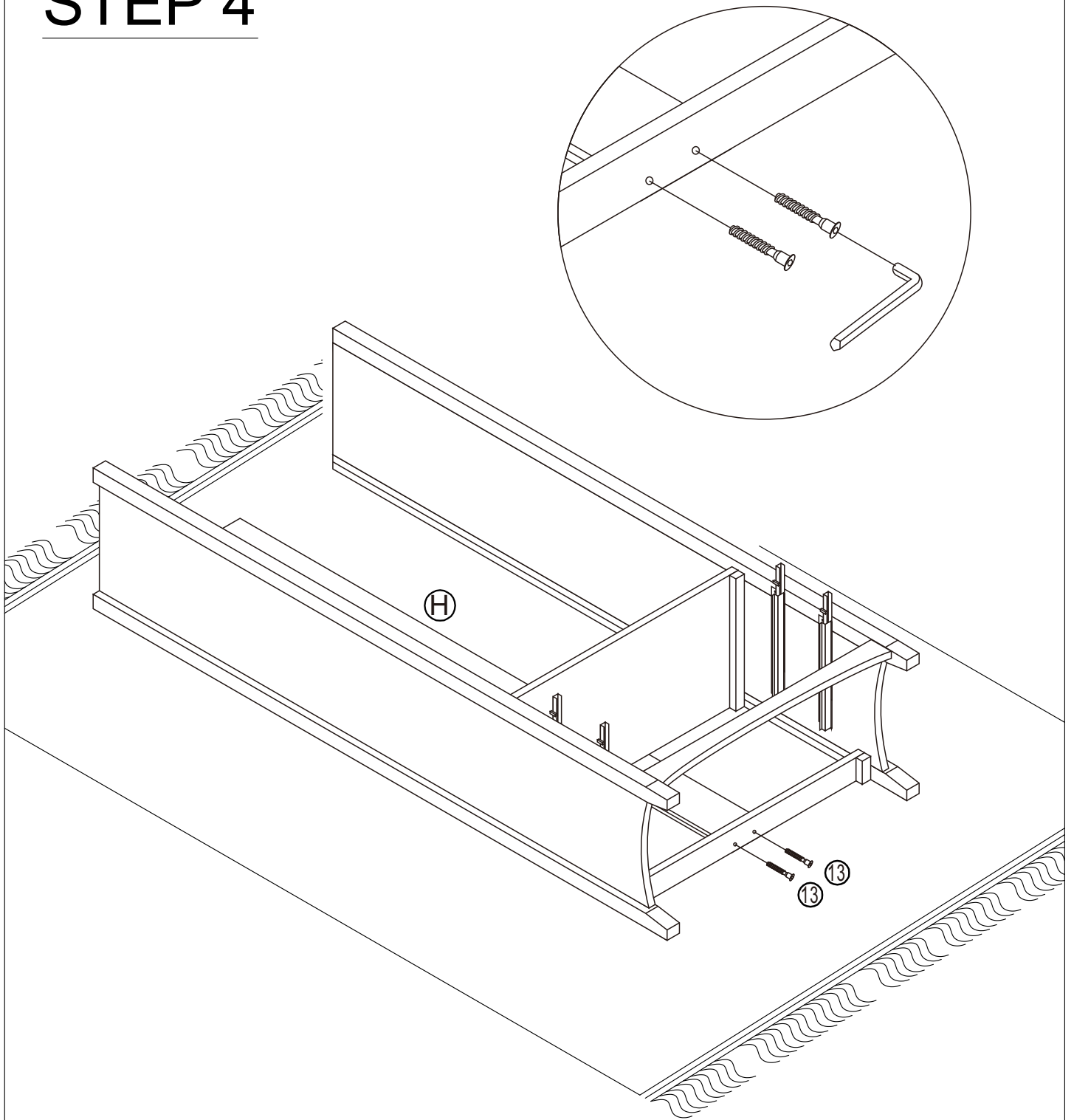
12





$\Phi 1/4'' \times 1''$

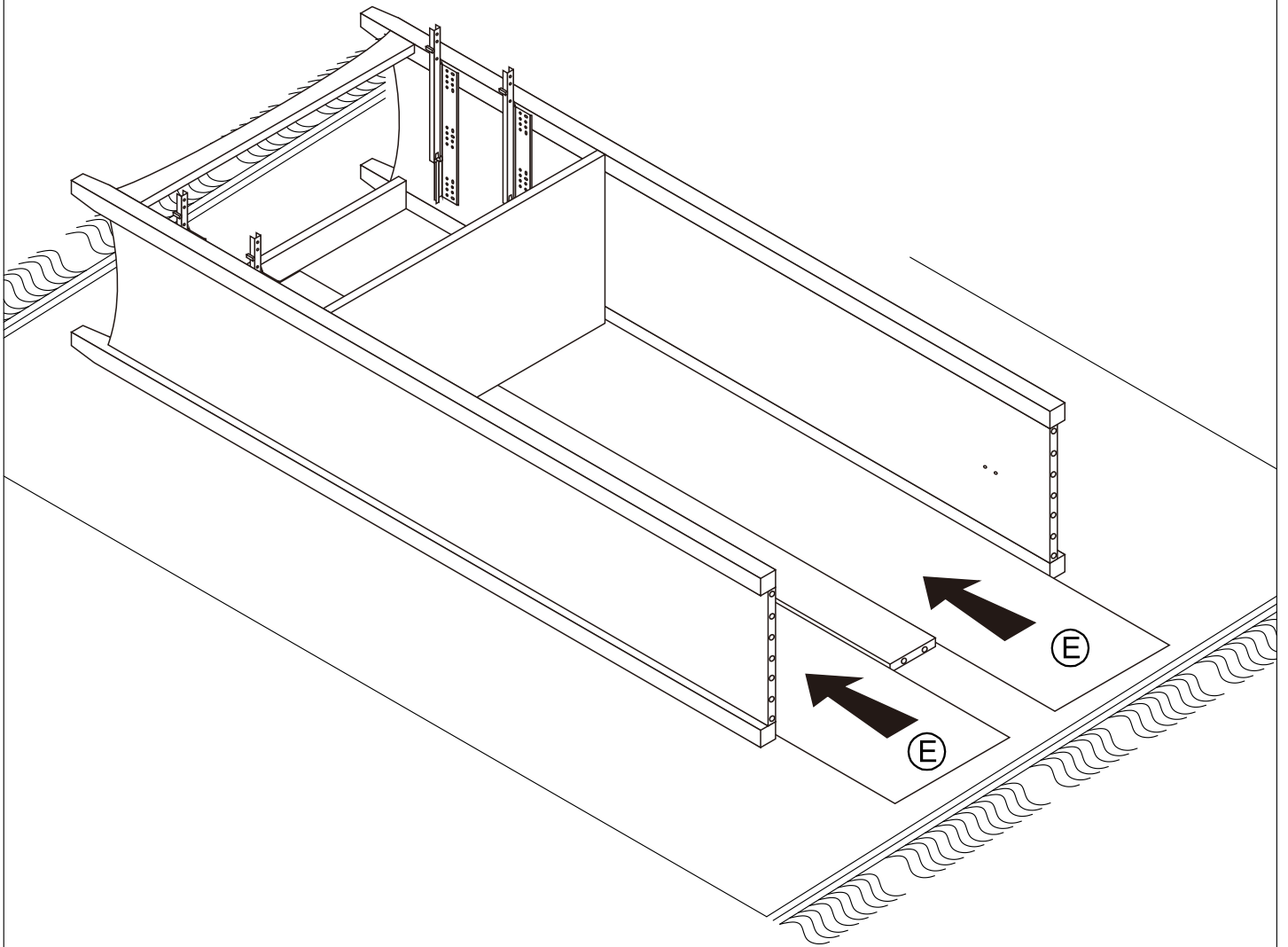
x6

STEP 4

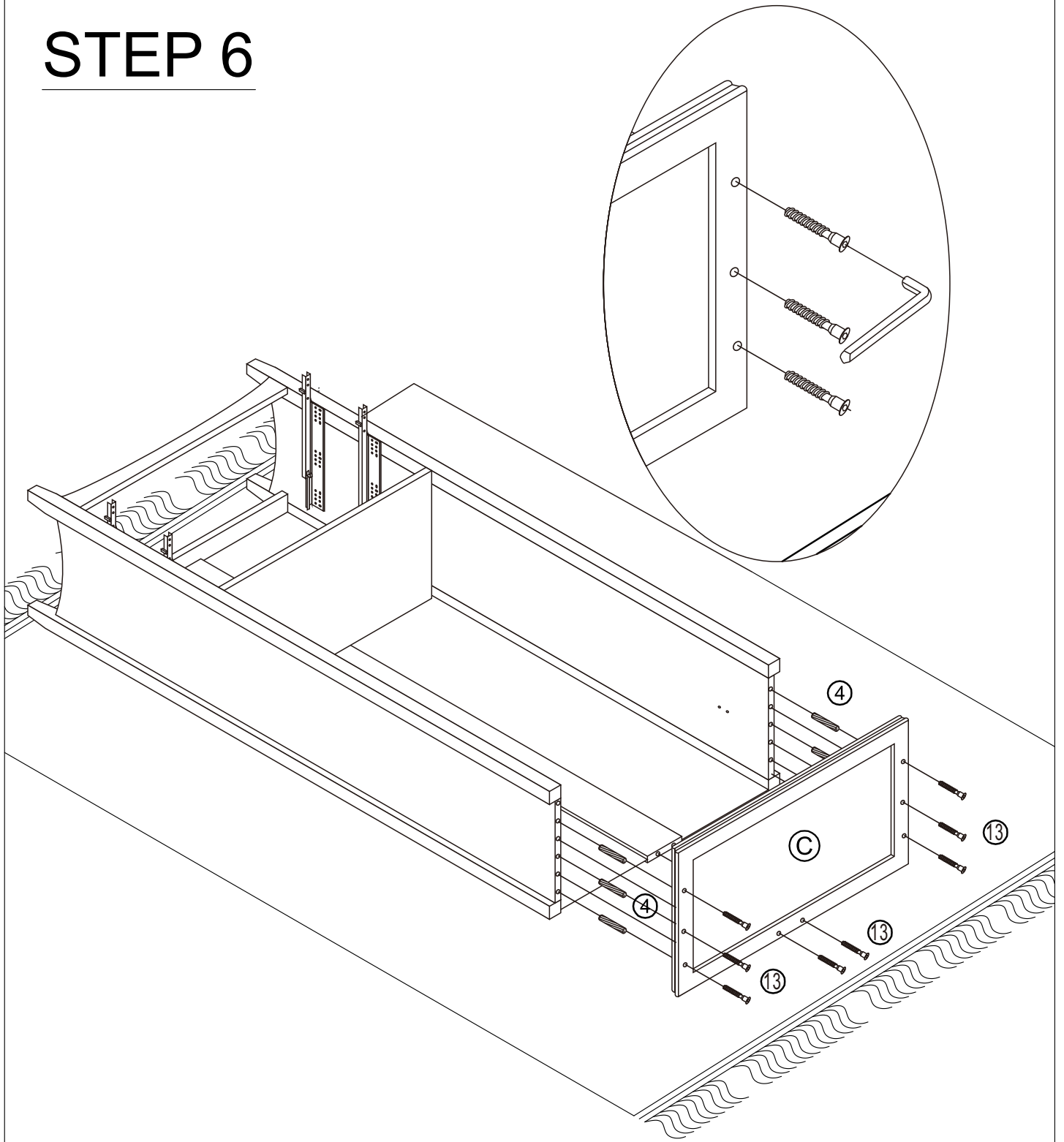





⑬		Confirmat Screw	x2
⑭		Allen Key	x1

STEP 5

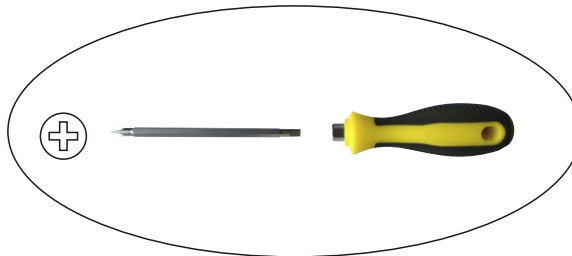


STEP 6

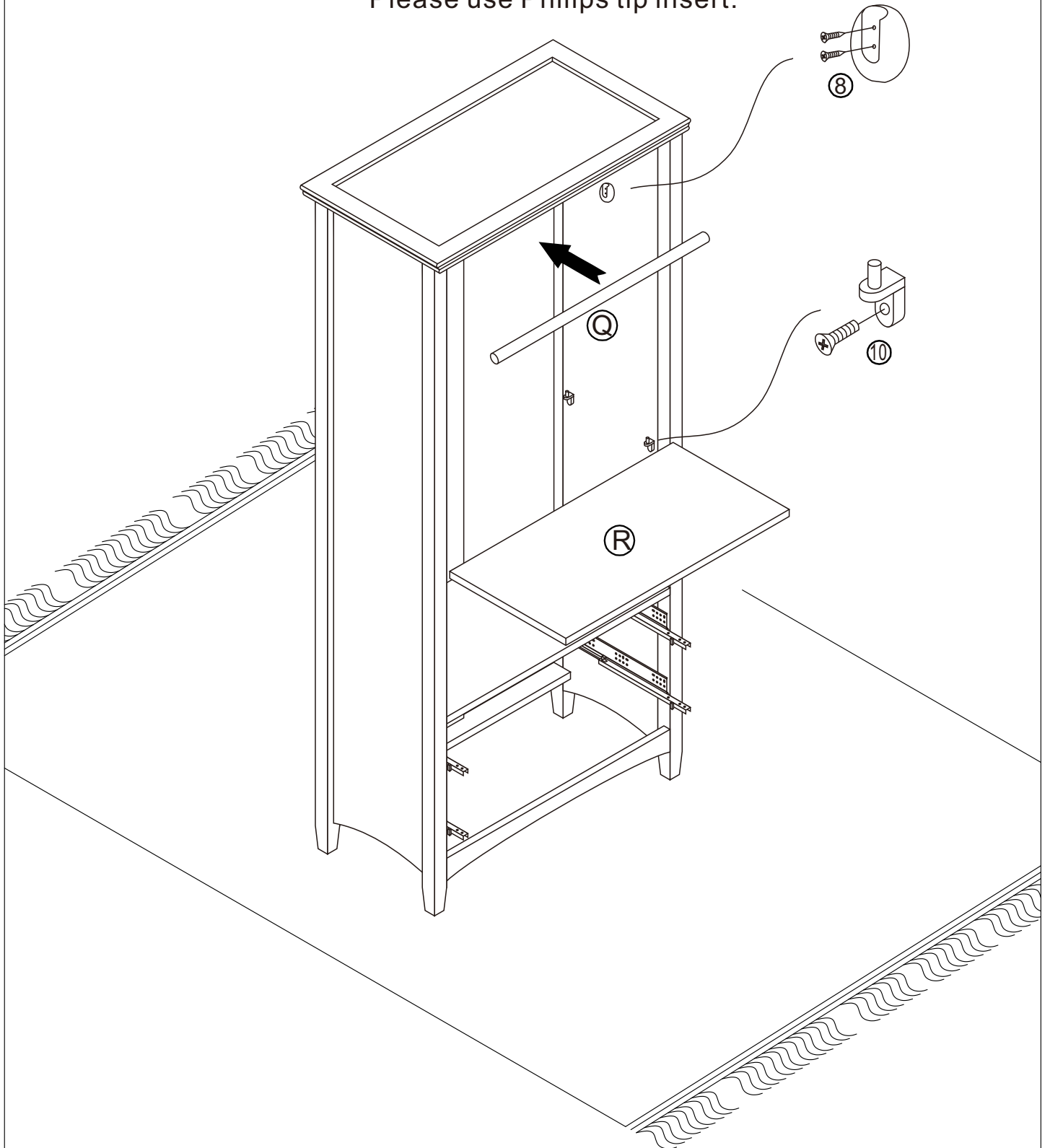




⑬		Confirmat Screw	x8
④		Φ0. 31X1.1/8''	x6
⑭		Allen Key	x1

STEP 7

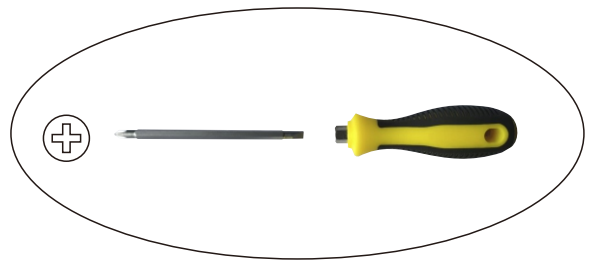


Please use Philips tip insert.

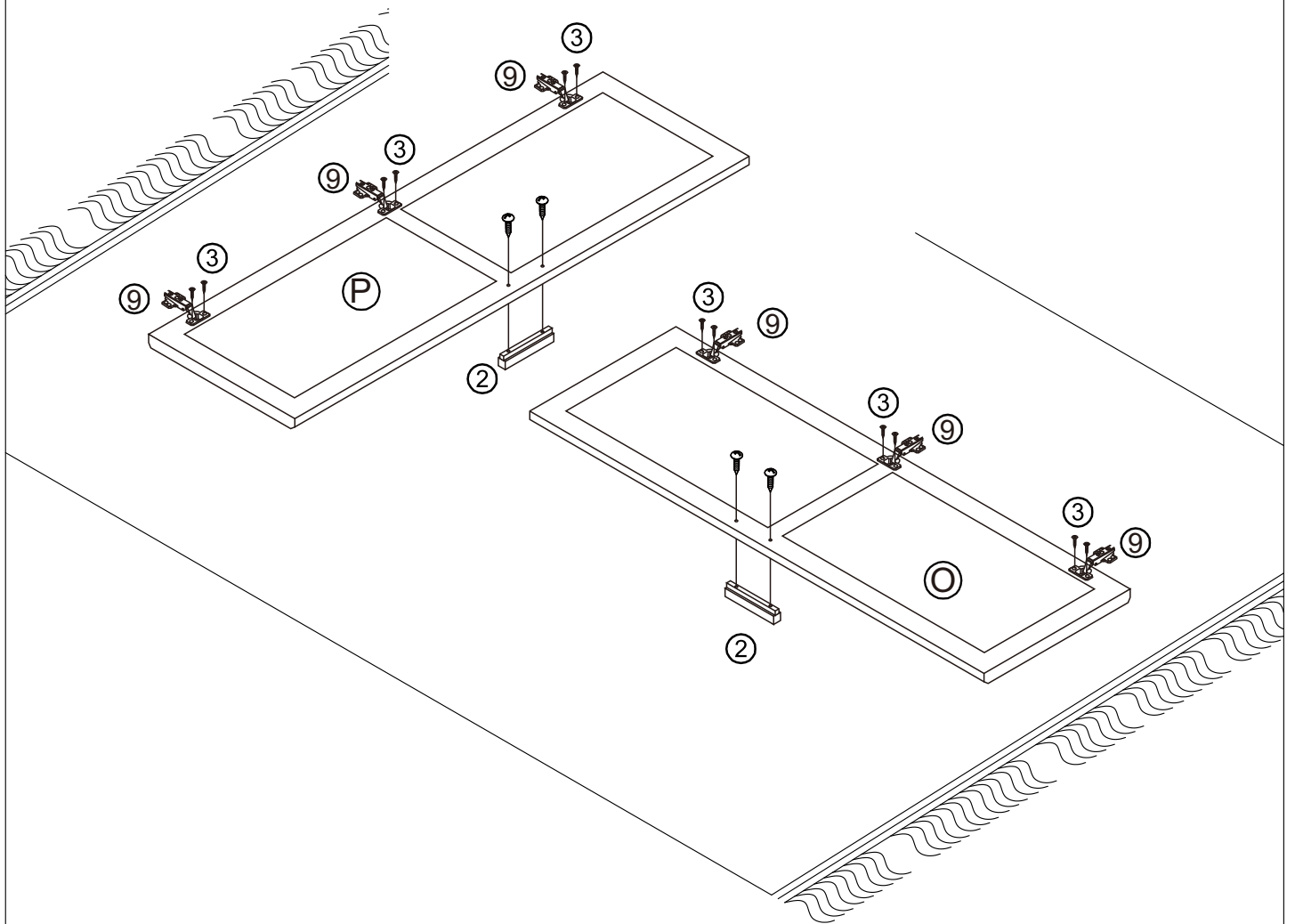


⑩		Shelf Support Pin	x4
⑧		Clothes-hook	x2

STEP 8

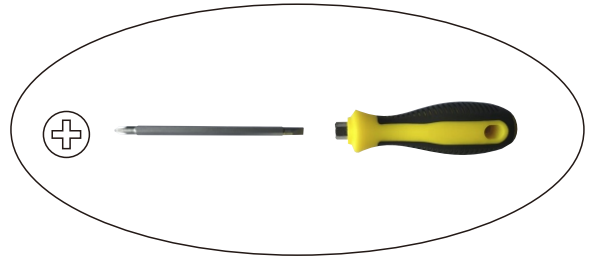


Please use Philips tip insert.

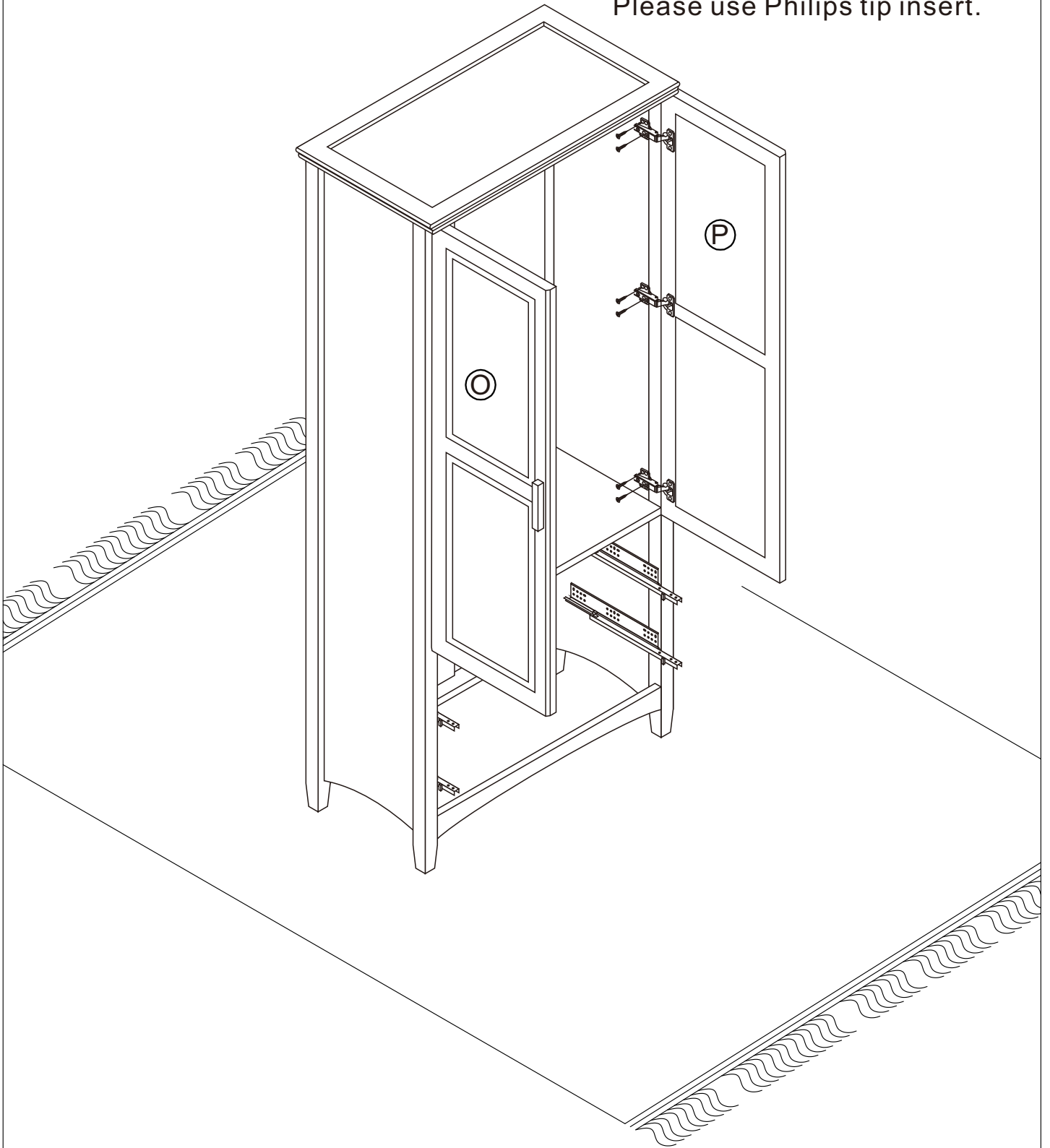


②		Handle	x2
③		Φ1/8"X1.1/2"	x12
⑨		Hinge	x6

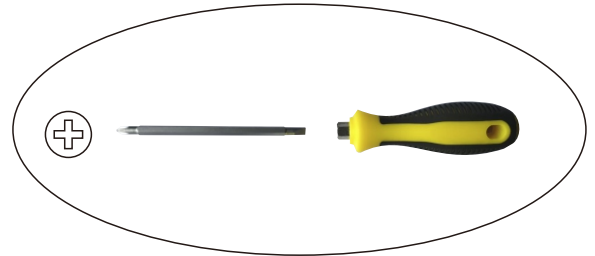
STEP 9



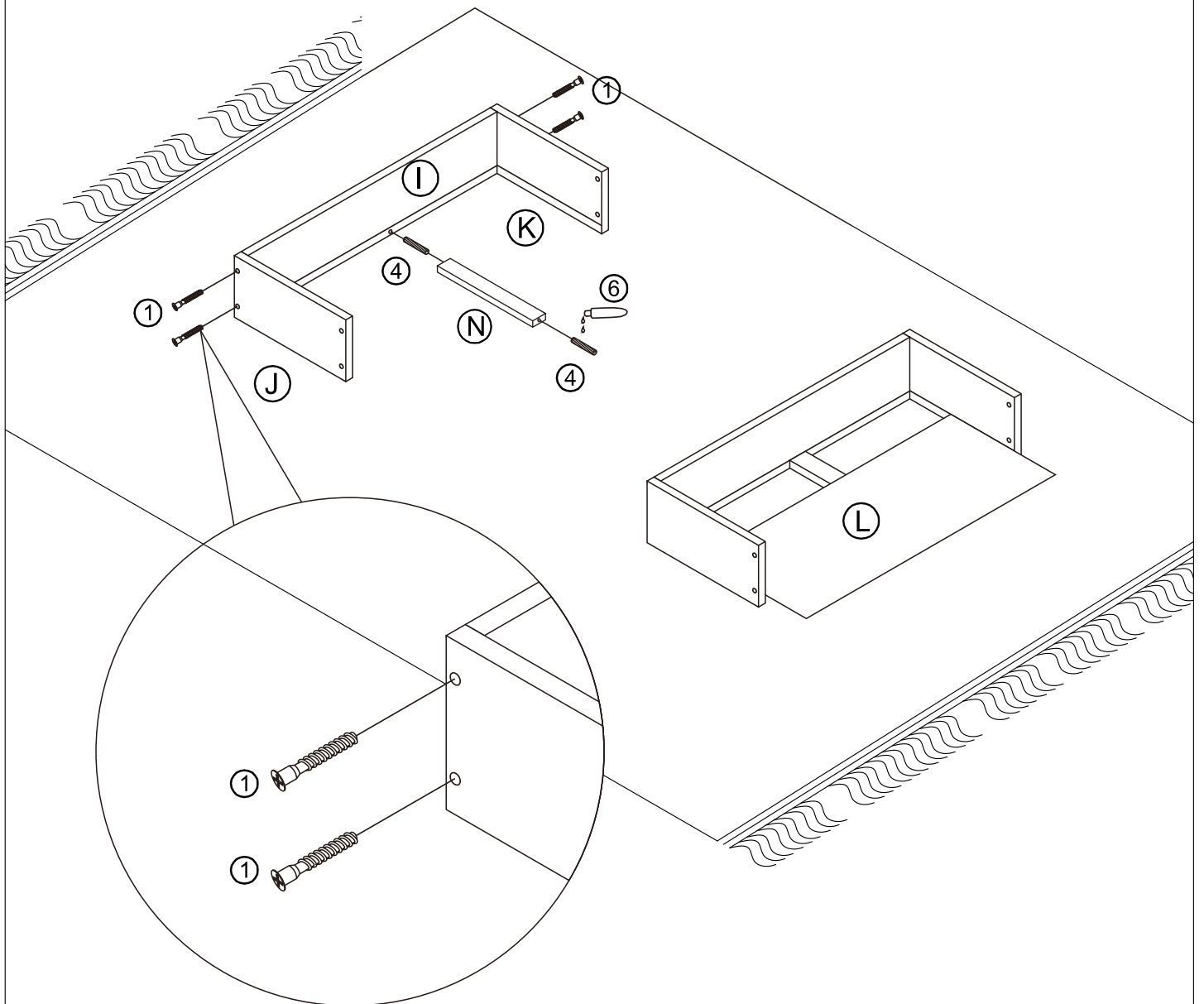
Please use Philips tip insert.



STEP 10

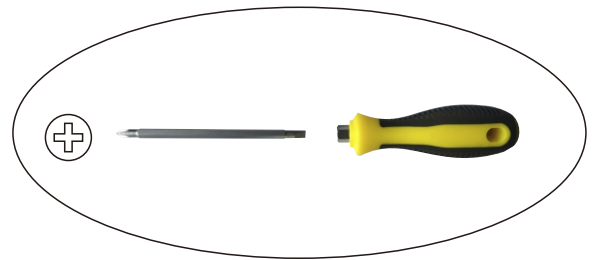


Please use Philips tip insert.

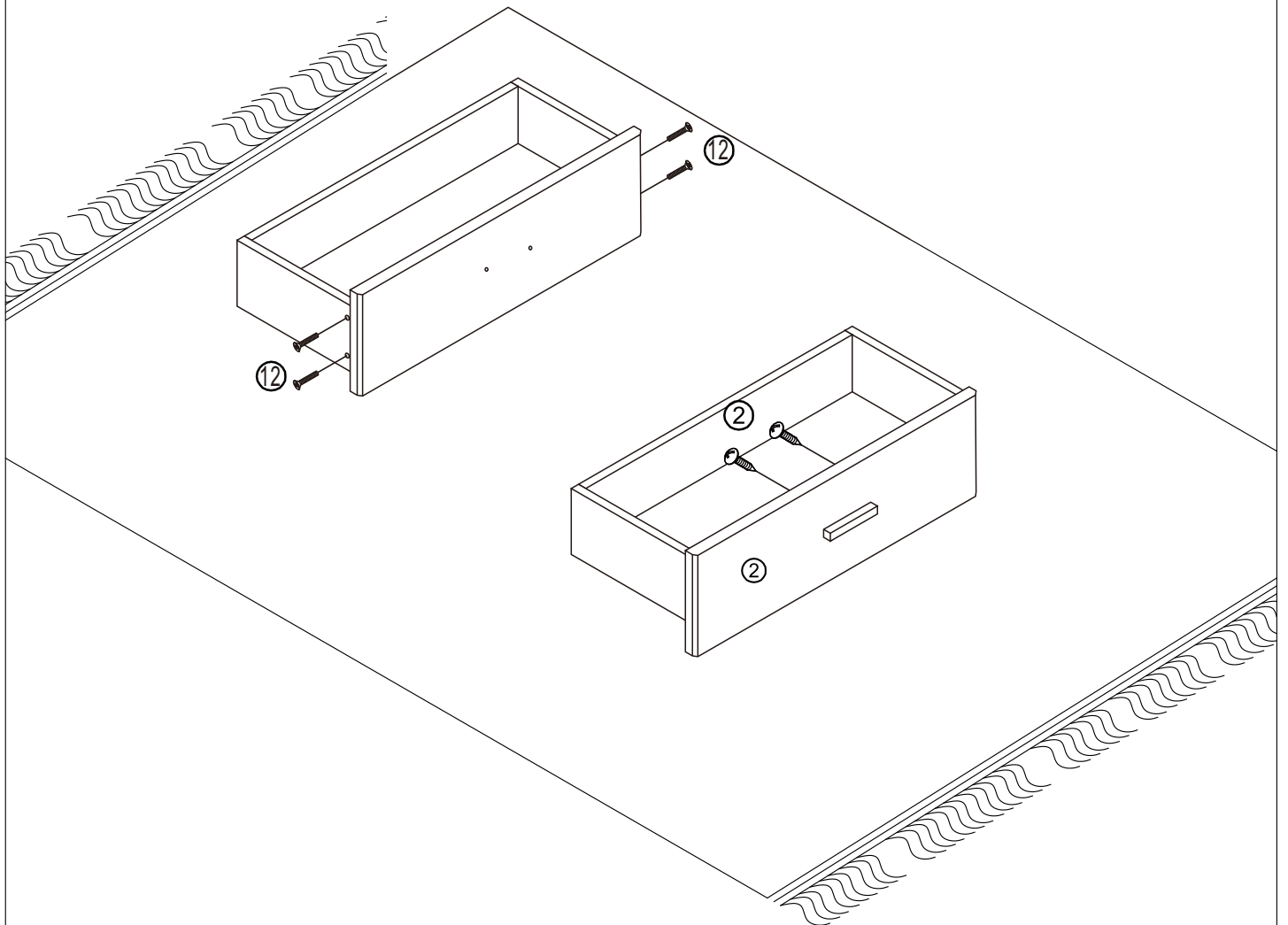


①		$\Phi 1/4'' \times 1.38''$	x8
④		$\Phi 0.31 \times 1.1/8''$	x2
⑥		Glue	x1

STEP 11

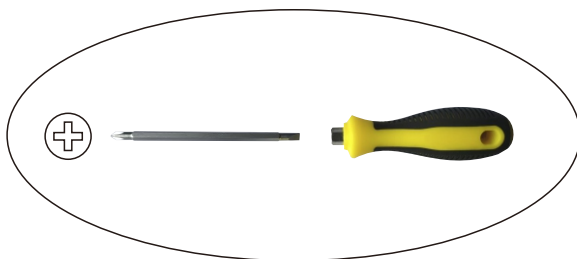
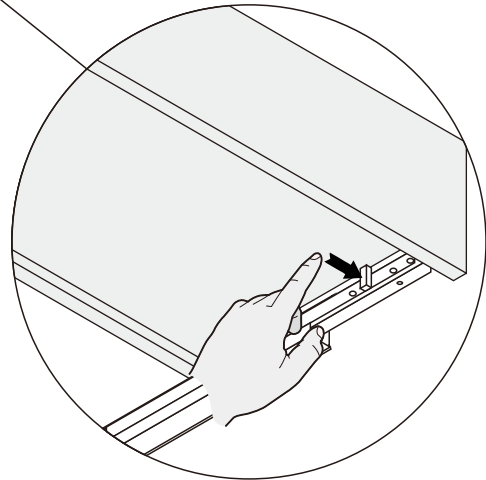
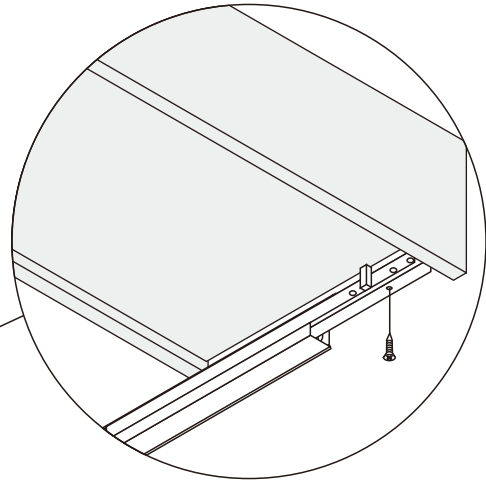
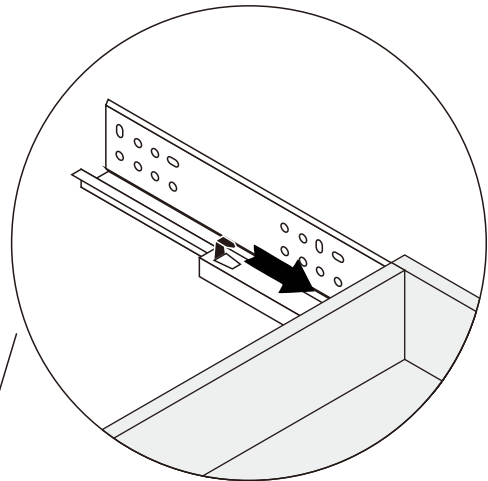
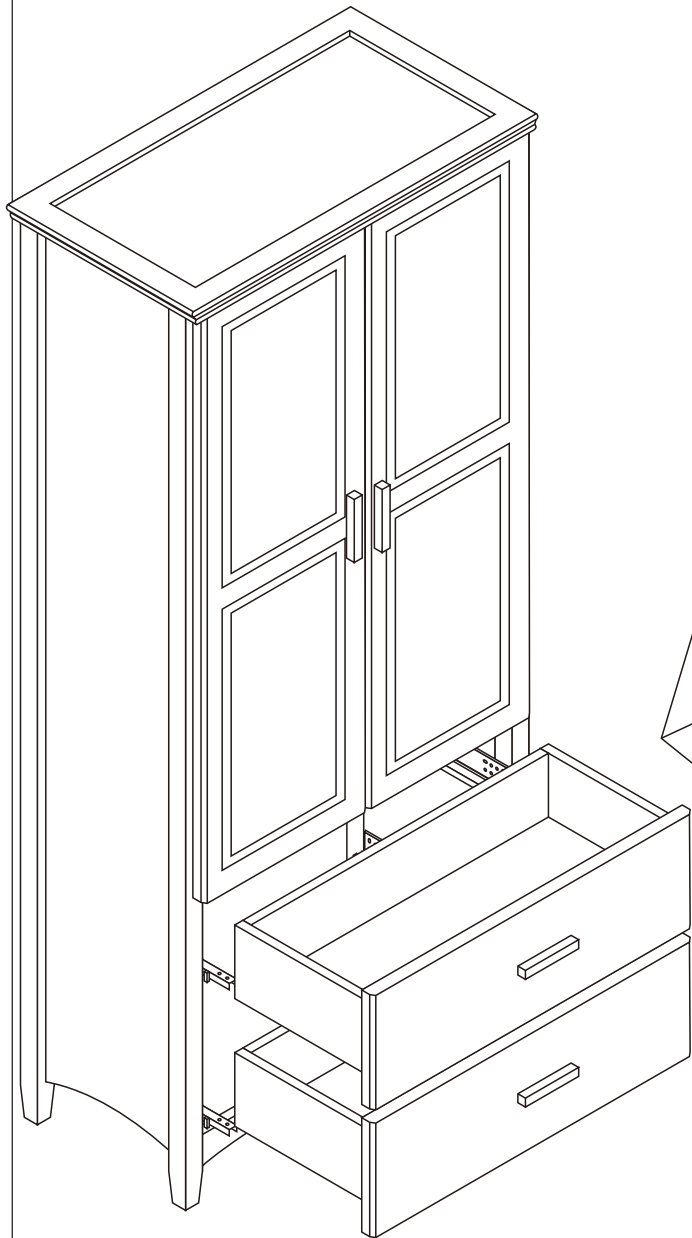


Please use Philips tip insert.



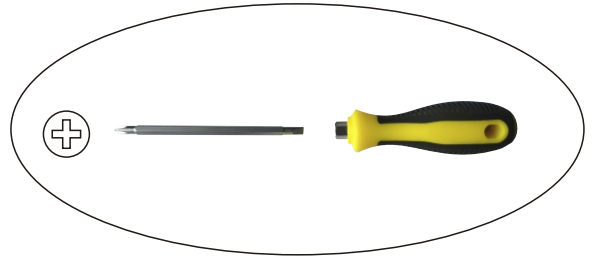
⑫		$\Phi 1/4'' \times 1''$	x8
②		Handle	x2

STEP 12

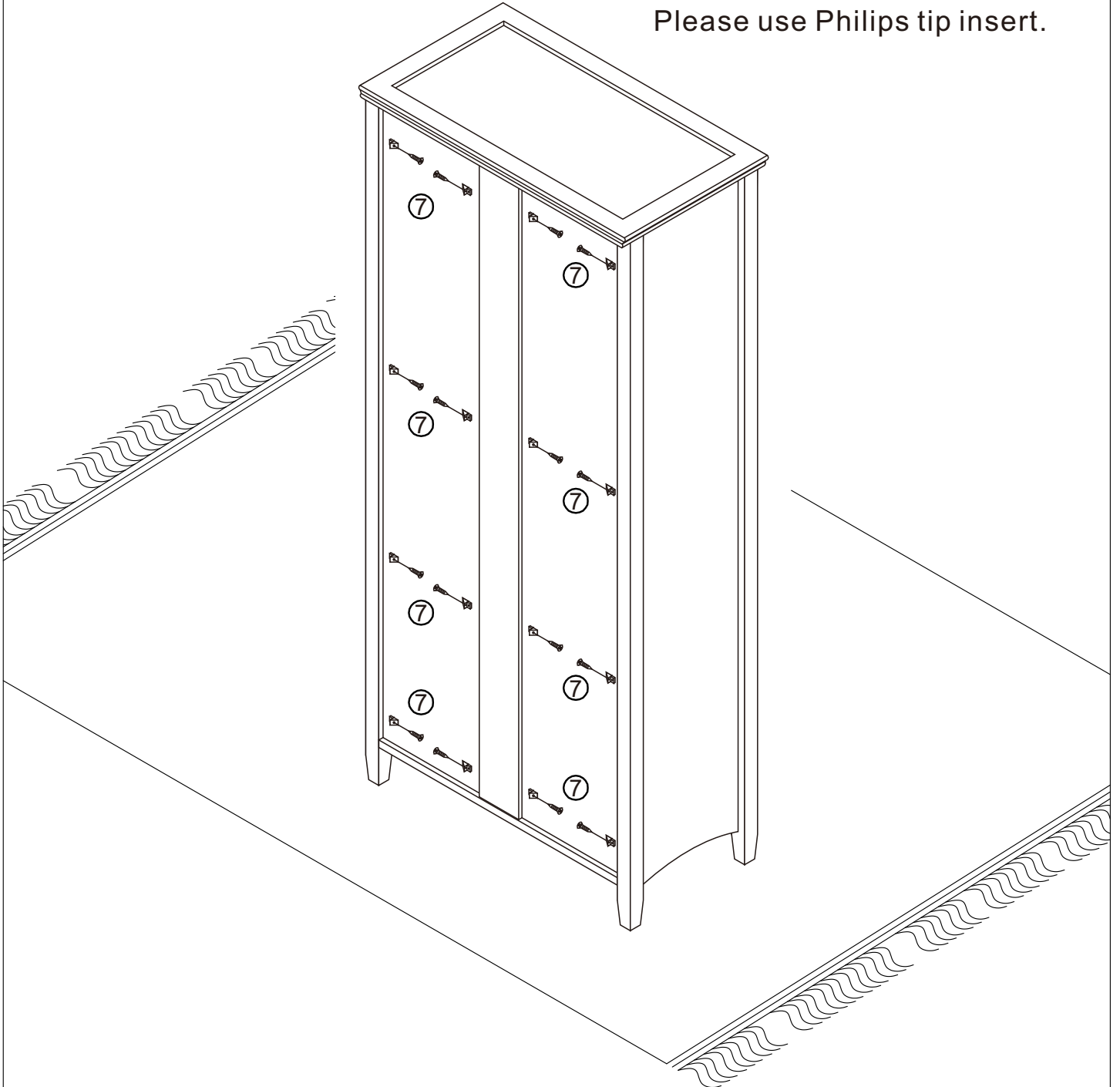


Please use Philips tip insert.

STEP 13



Please use Philips tip insert.



⑦



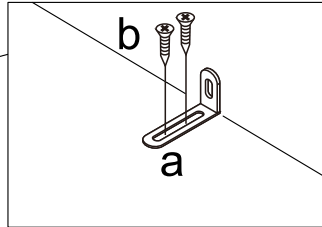
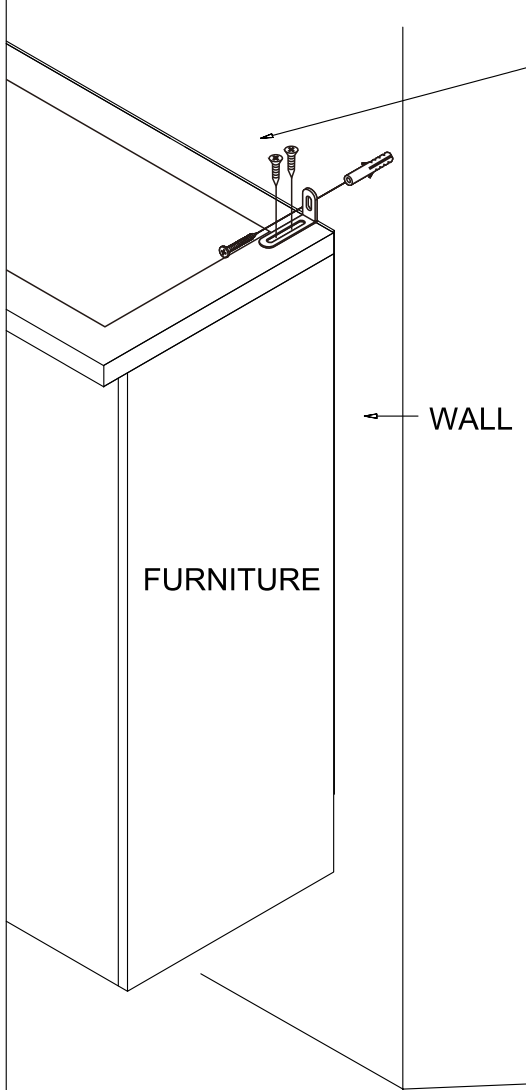
Snap

x16

INSTALLATION OF TIPOVER RESTRAINT KIT

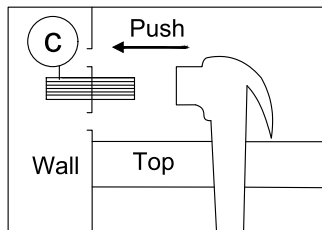
The Tipover Restraint Kit is highly recommended for this piece of furniture.

(Please take this into extra consideration around young toddlers and children)



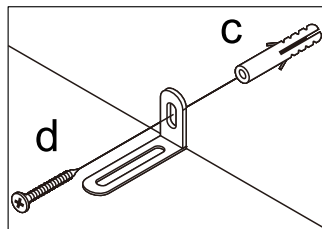
STEP 1:

- Attach the mounting bracket (a) to the bottom top panel near the edge of the side of the unit.
- Screw (b) through the two holes of (a).



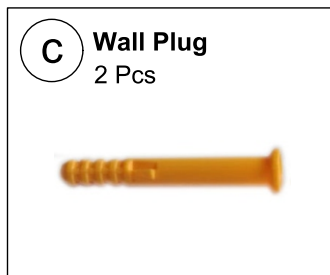
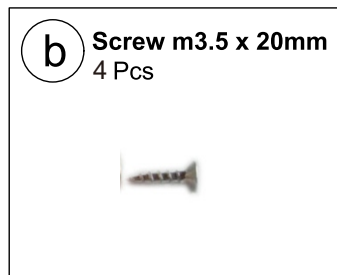
STEP 2:

- Insert the wall plug (c) into the wall behind the unit.



STEP 3:

- Attach to the mounting bracket (a) to the wall plug (c) through the hole by using (d).



THANK YOU

We hope you enjoy your new purchase.

We have personally inspected this product.

In the event that you need any additional help for any reason,

Please do not hesitate to contact us at: 315-7580-751 / 973-751-7089

Email lori@shopwp.com

See our website wpfurniture.com

**WP FURNITURE
323 Cortland Street
Belleville New Jersey**

Thank you