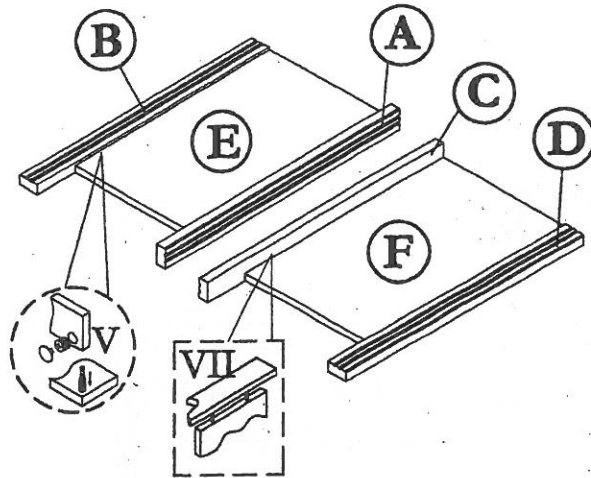


# ASSEMBLY INSTRUCTION

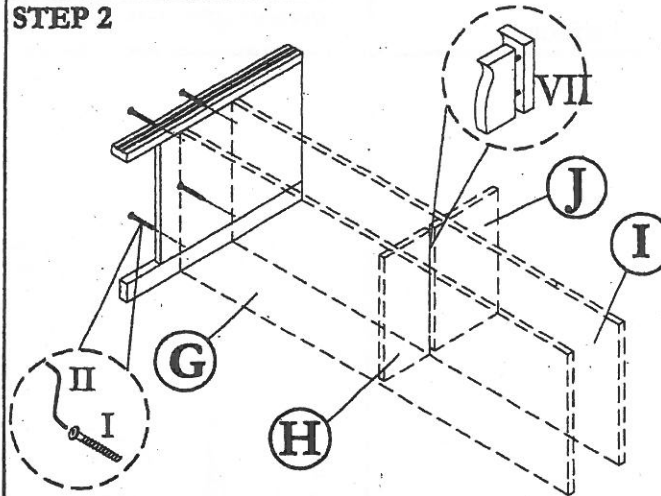
MODEL : / TV CABINET

Before you begin, please follow assembly instruction carefully.  
Then follow them step by step.

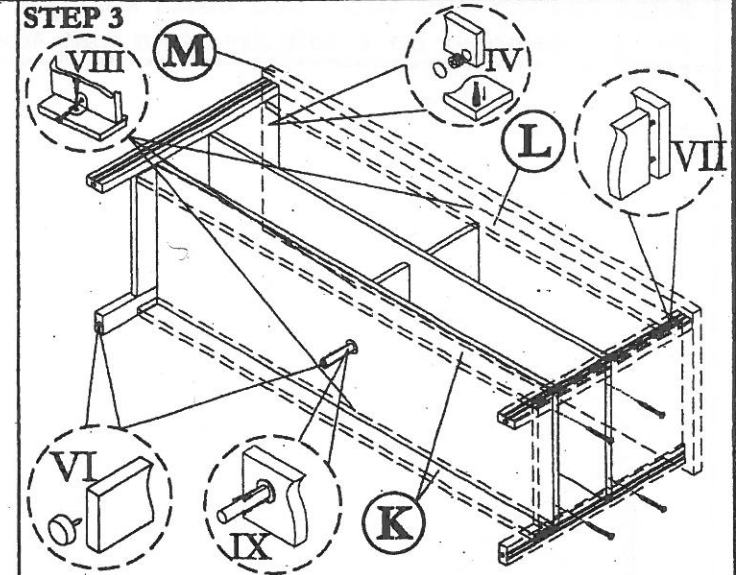
STEP 1



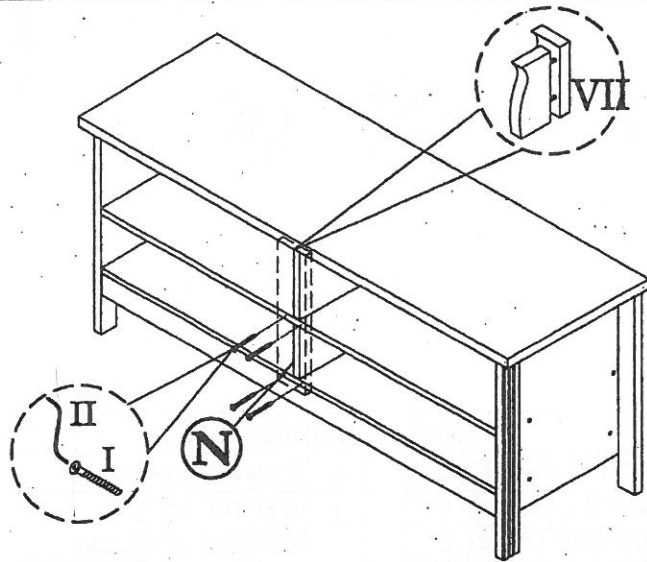
STEP 2



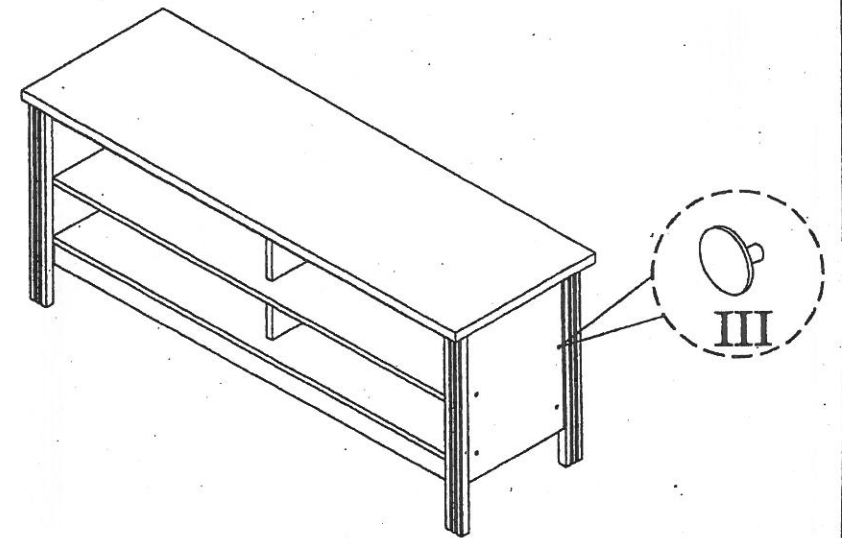
STEP 3



STEP 4



STEP 5



HARDWARE LIST		
NO	DESCRIPTION	QTY
I	JCBCW SCREW M6 x 45	12pcs
II	M4 ALLEN KEY	1pc

III	CAP SMALL	8pcs
IV	Q-FIT	4sets
V	Q-FIT (small)	8sets
VI	PVC NAIL WITH PIN	5pcs

VII	M8 x 30 PLASTIC DOWEL	24pcs
VIII	L BRACKET & SCREW M3.5 x 12	3sets
IX	PLASTIC LEG & SCREW M3.5 x 16	1sets

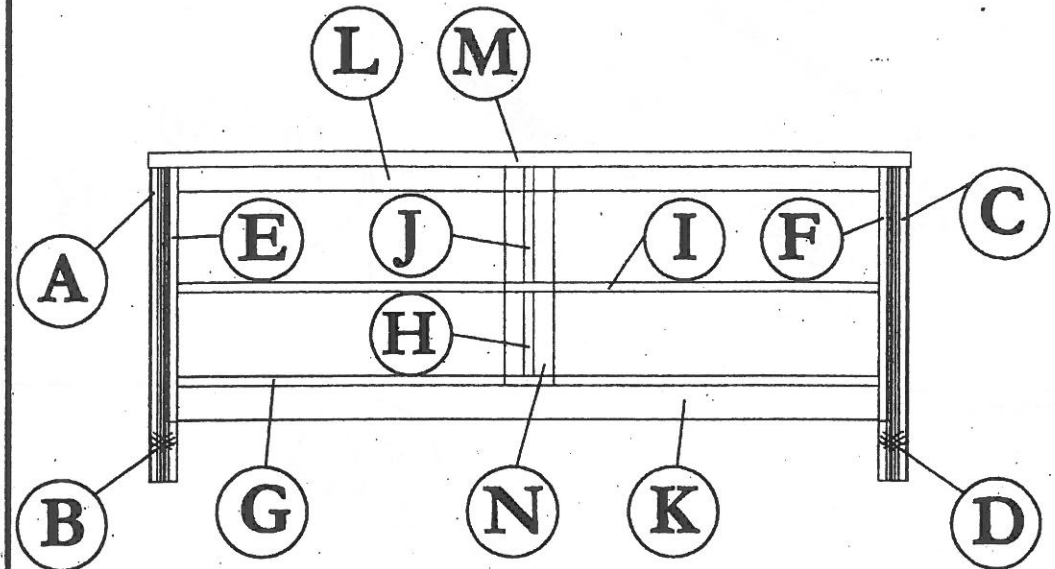
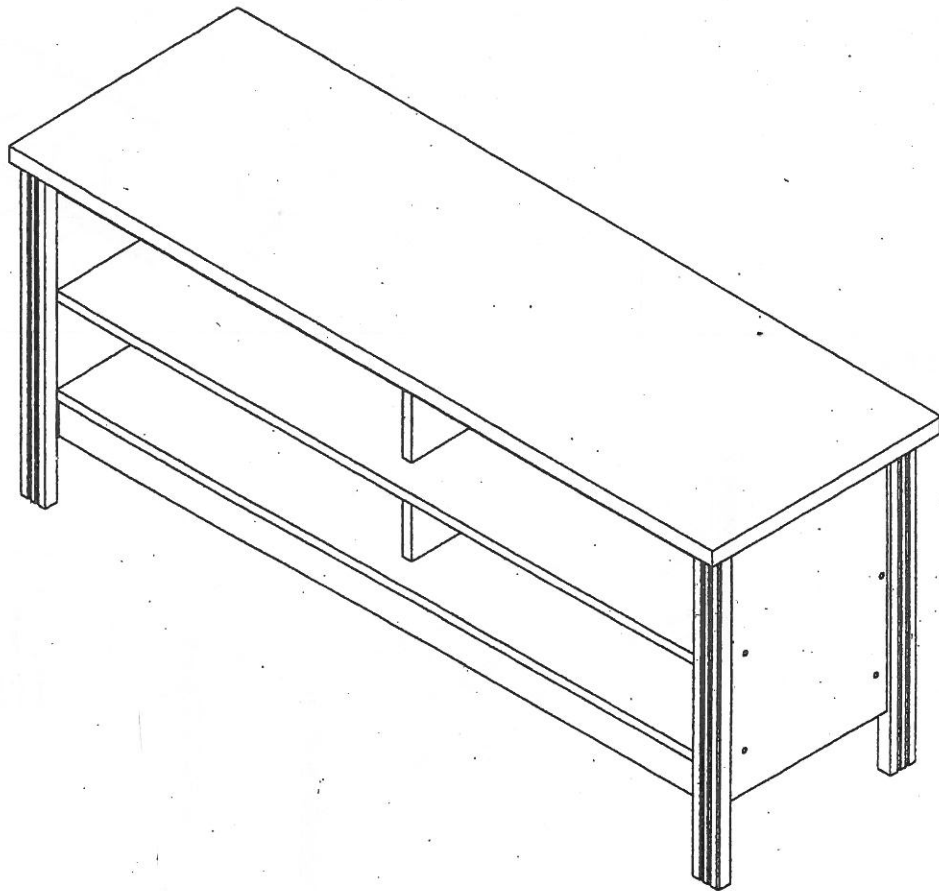
**CAUTION:**

To clean use soft, dry cloth. Do not use detergent or chemicals  
 Avoid contact with water and direct sunlight.

To be assembled on a soft, dry, clean and smooth surface.

**ORDERING REPAIR PARTS**

In order to obtain smooth and rapid service when ordering repair parts,  
 please give full attention to the following of PART NUMBER.



# COMPLETE SET

NO	DESCRIPTION	QTY
A	LEFT SIDE WRAPPING (Front)	01
B	LEFT SIDE WRAPPING (Back)	01
C	RIGHT SIDE WRAPPING (Front)	01
D	RIGHT SIDE WRAPPING (Back)	01
E	LEFT SIDE	01
F	RIGHT SIDE	01
G	LOWER SHELF	01

NO	DESCRIPTION	QTY
H	CENTRE VERTICAL	01
I	CENTRE SHELF	01
J	CENTRE VERTICAL	01
K	LOWER SHELF SUPPORT	02
L	TOP SUPPORT	01
M	TOP	01
N	BACK	01