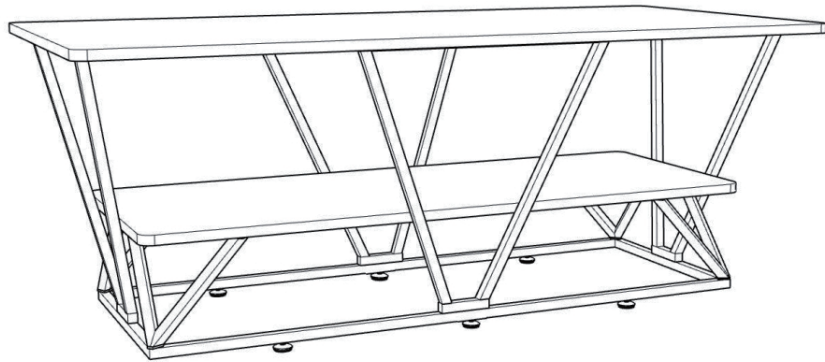
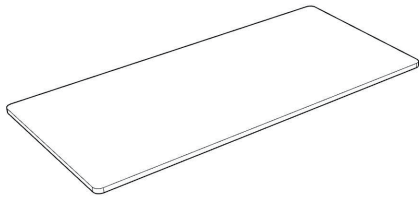


Assembly Manual

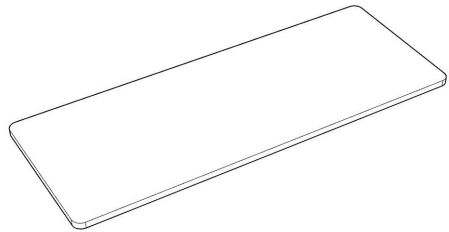


1



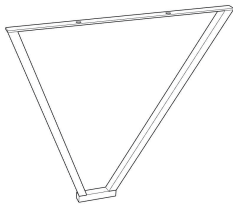
1pc

2



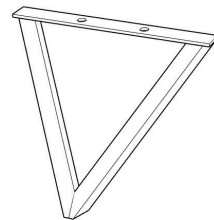
1pc

3



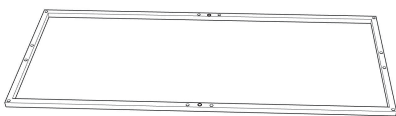
4pcs

4



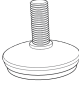
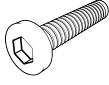
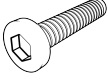

4pcs

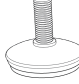
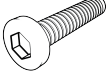
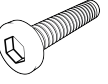
5



1pc

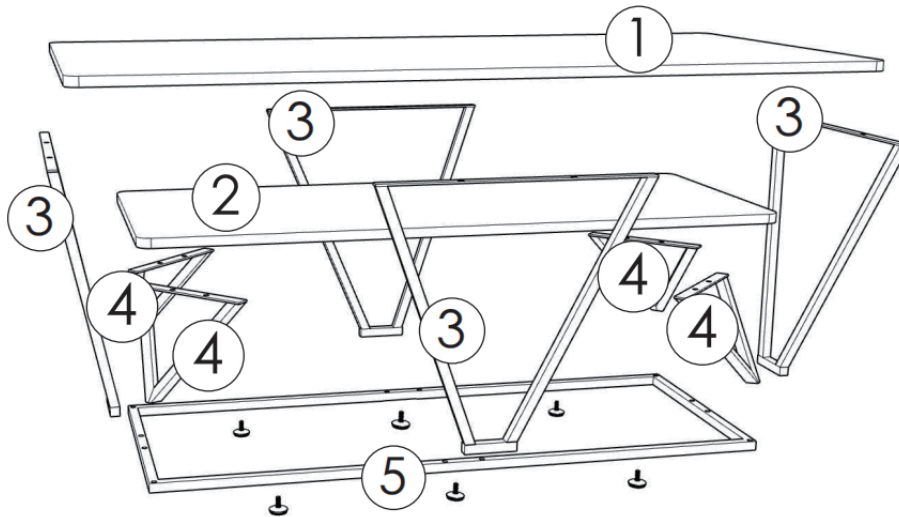
Assembly Manual

Hardware Accessories								
NO.	PICTURE	SIZE	QTY		NO.	PICTURE	SIZE	QTY
A			6		B		M6*L10mm	16
C		M6*L25mm	12		D			1

SPARE								
NO.	PICTURE	SIZE	QTY		NO.	PICTURE	SIZE	QTY
A			1		B		M6*L10mm	1
C		M6*L25mm	1					

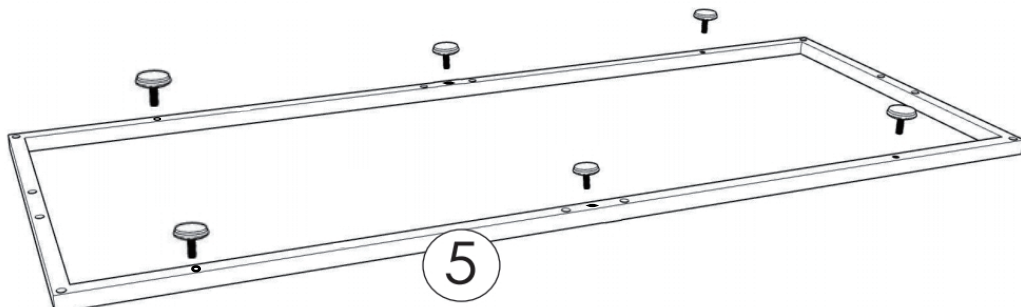
Before assembly, please put all parts on a neat and clean sheet

Exploded View.



Installation procedures

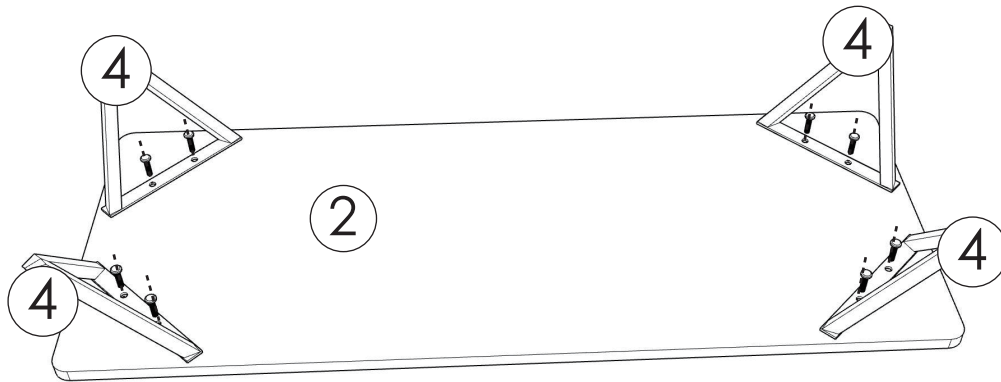
step 1



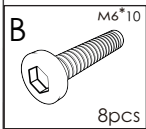
A = 6X



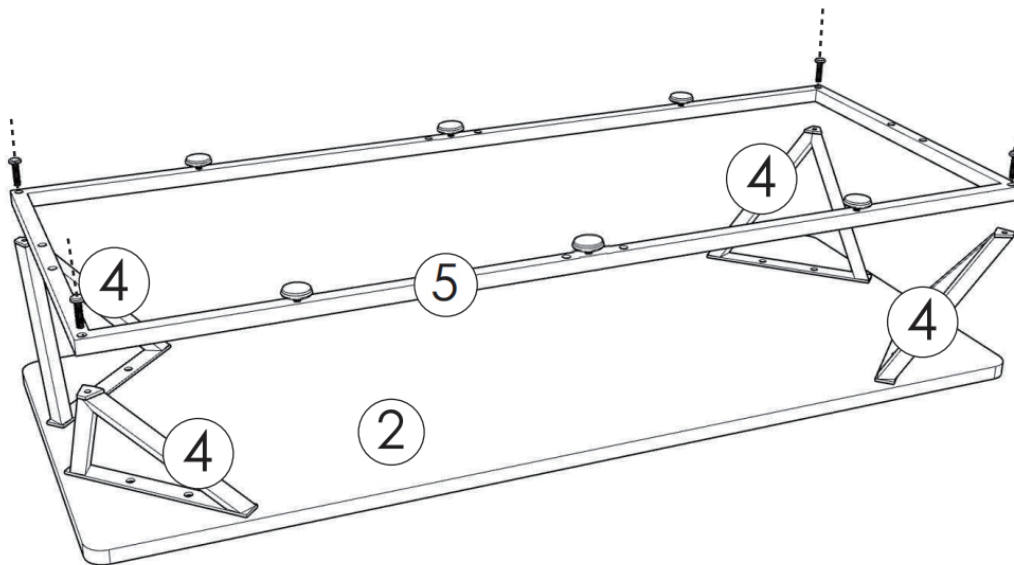
step 2



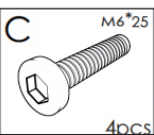
B = 8X



step 3



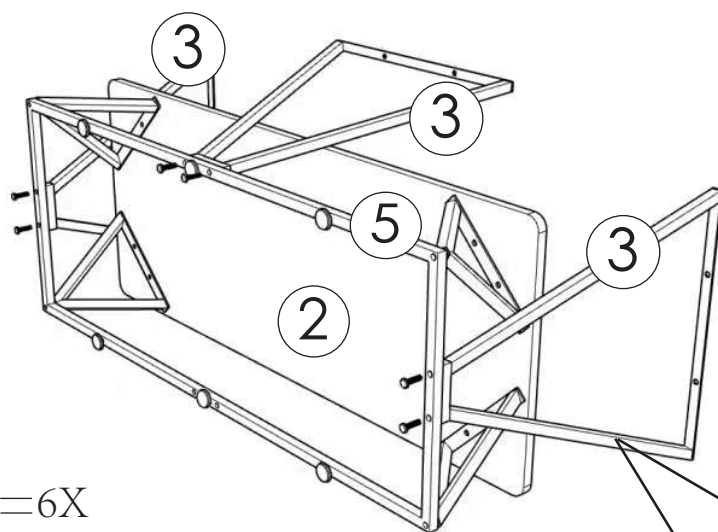
C = 4X



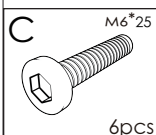
The metal frame can be adjusted to align edges while you tighten the screws. Please strictly follow our installation instructions to finish the installation.

Please pay attention to the direction during installation

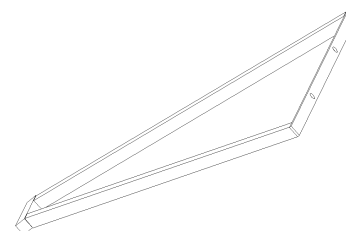
step 4



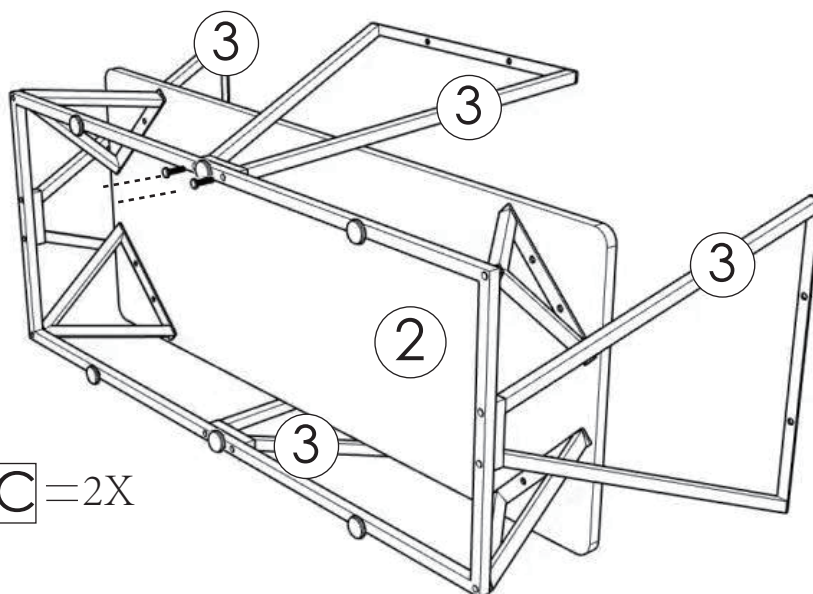
C=6X



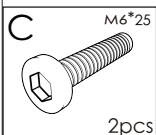
All screws are locked



step 5

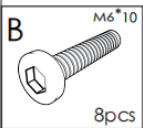
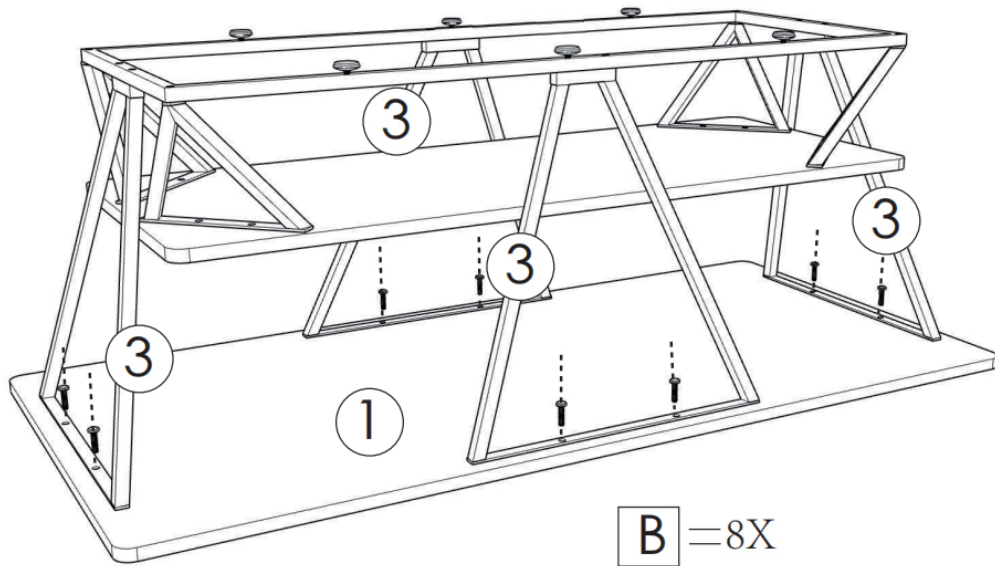


C=2X



All screws are locked

step 6



COMPLETED DRAWING

