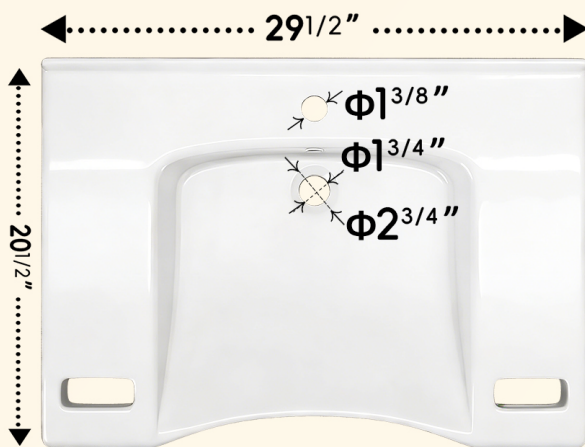


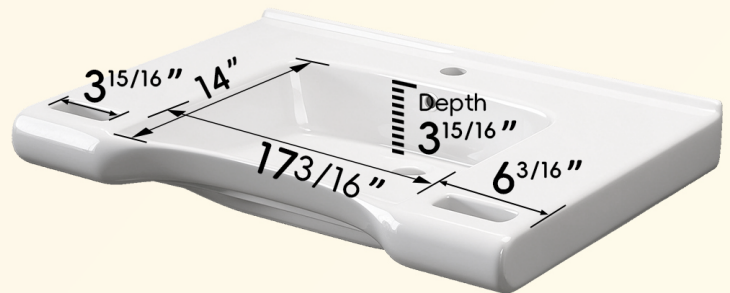
BATHROOM SINK DIMENSIONS



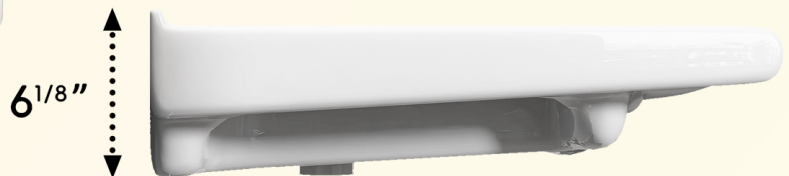
Exterior Size: $29\frac{1}{2}$ " (L) x $20\frac{1}{2}$ " (W) x $6\frac{1}{8}$ " (H)
Interior Size: $17\frac{3}{16}$ " (L) x 14" (W) x $3\frac{5}{16}$ " (H)
Drain Hole Diameter: $1\frac{3}{4}$ "
Basin Depth: $3\frac{15}{16}$ "



Front View



Top View



Side View