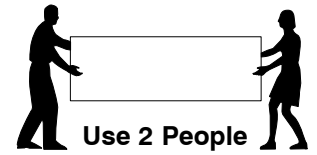
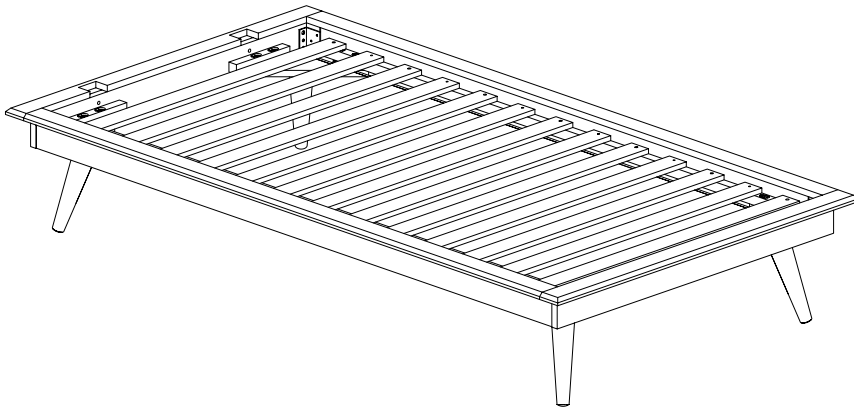


Twin Bed

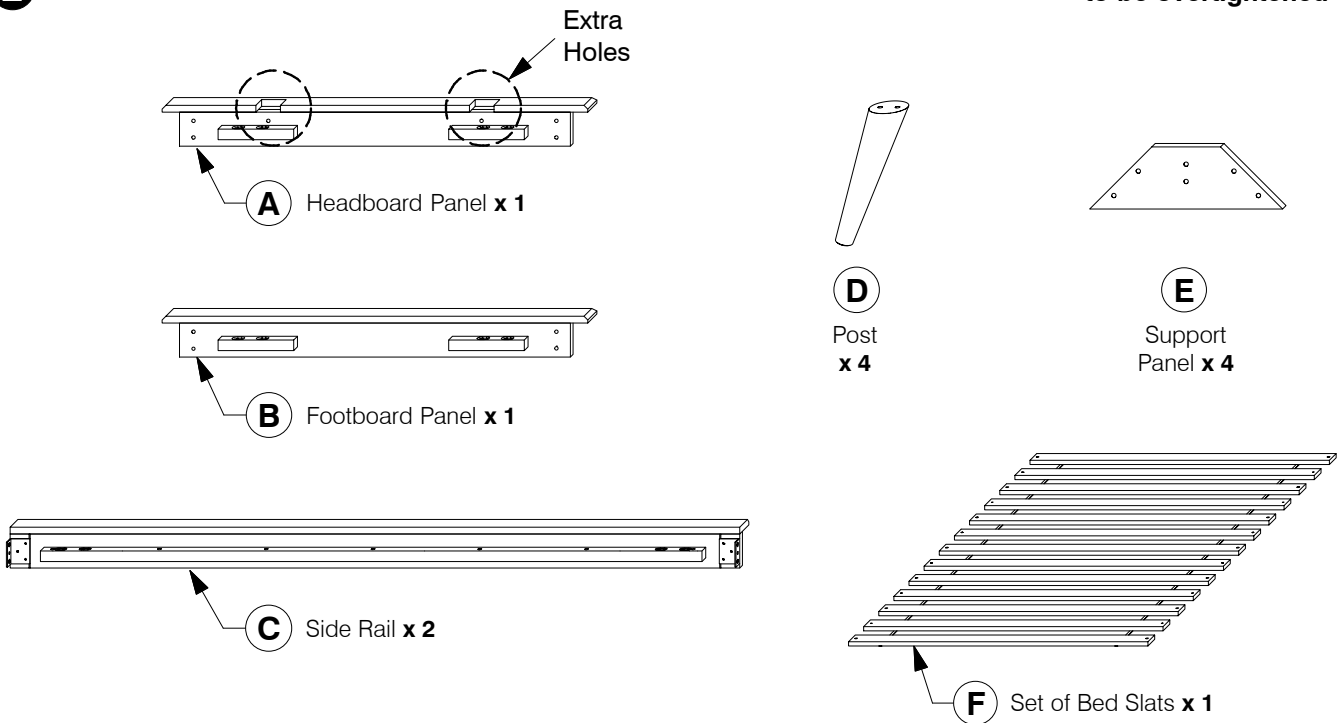
Assembly Instructions

1 Assembled View



Note: Do not assemble using power tools. This can cause the bolts to be overtightened

2 Parts List



3 Hardware List



1 M6 x 50mm JCB x 16



2 M6 x 40mm JCB x 18



3 M6 x 20mm JCB x 8



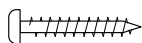
4 M8 x 50mm JCB x 8



5 Spring Washer x 28



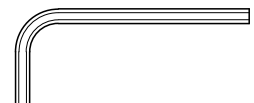
6 Flat Washer x 28



7 Wood Screw (M4 x 32mm) x 12



8 M4 Allen Key x 1



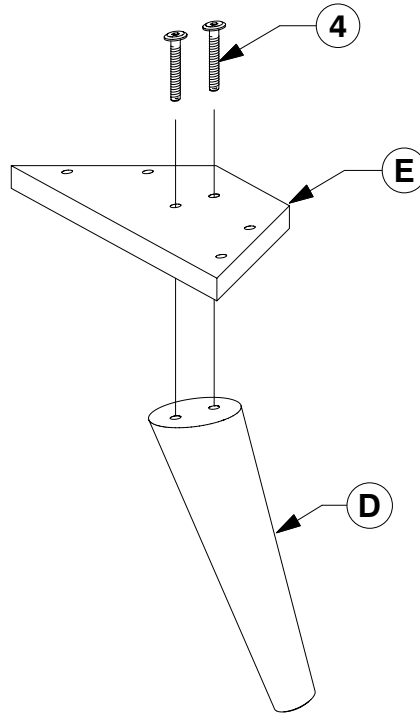
9 M5 Allen Key x 1

Twin Bed

Assembly Instructions

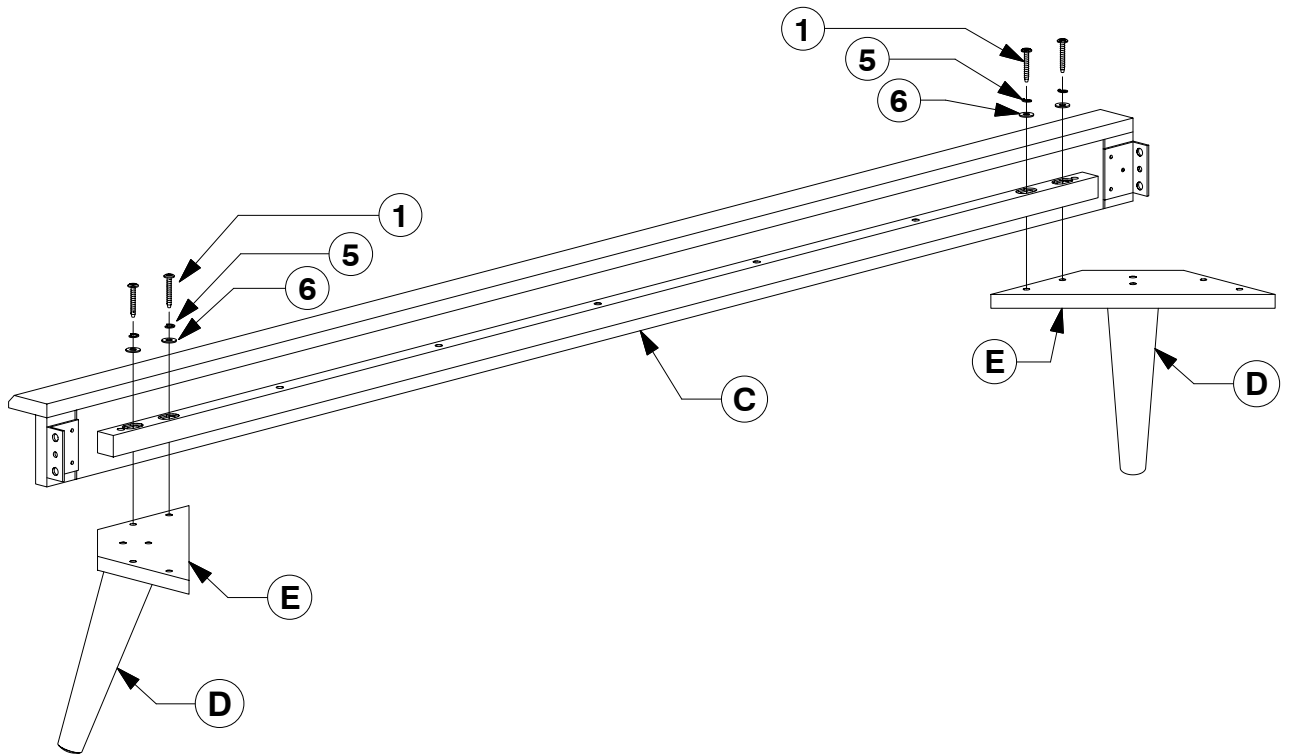
- 4** Fit the Post (D) to the Support Panel (E).

x4



- 5** Bolt the Post & Support Panel (D & E) to the Side Rail (C).

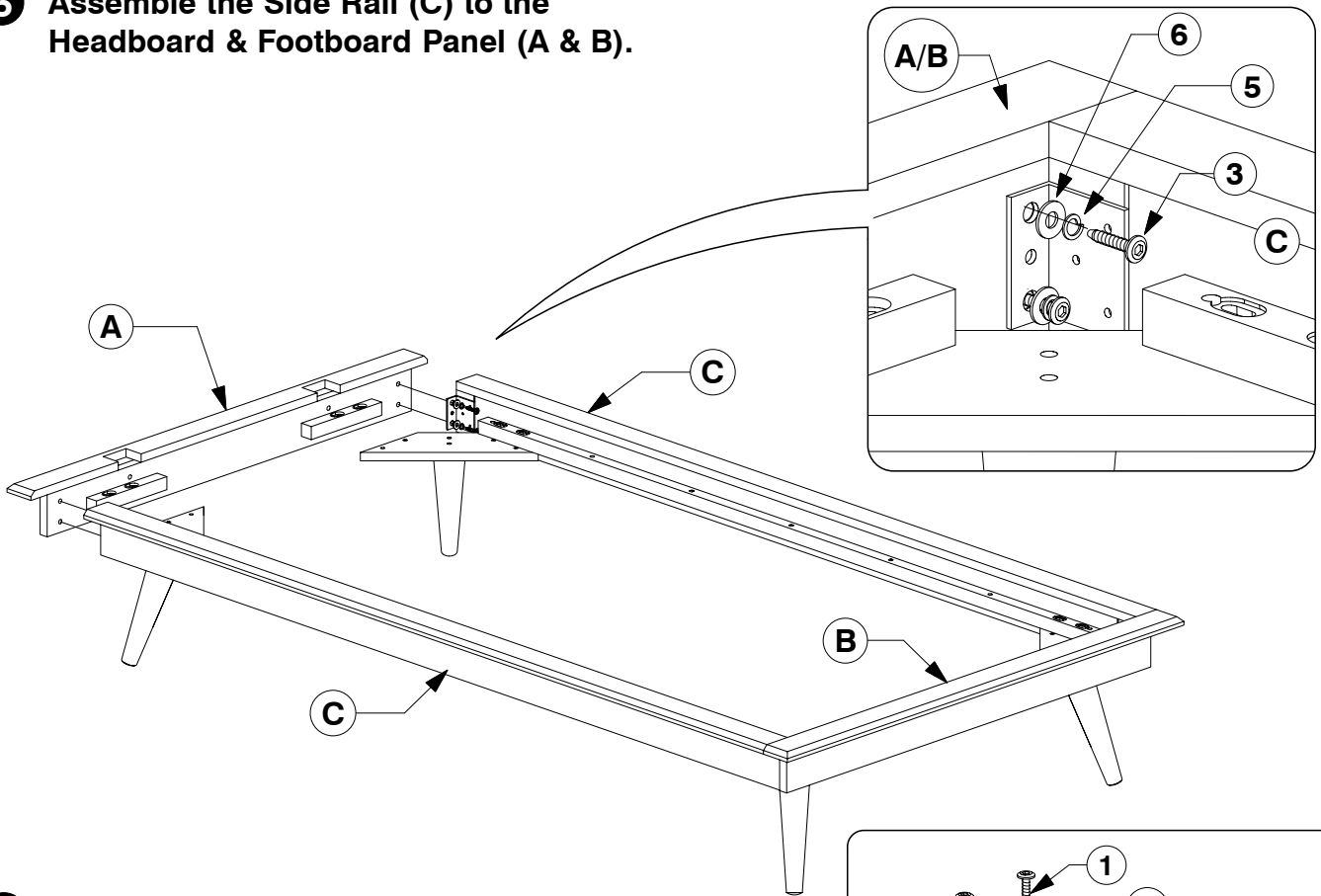
x2



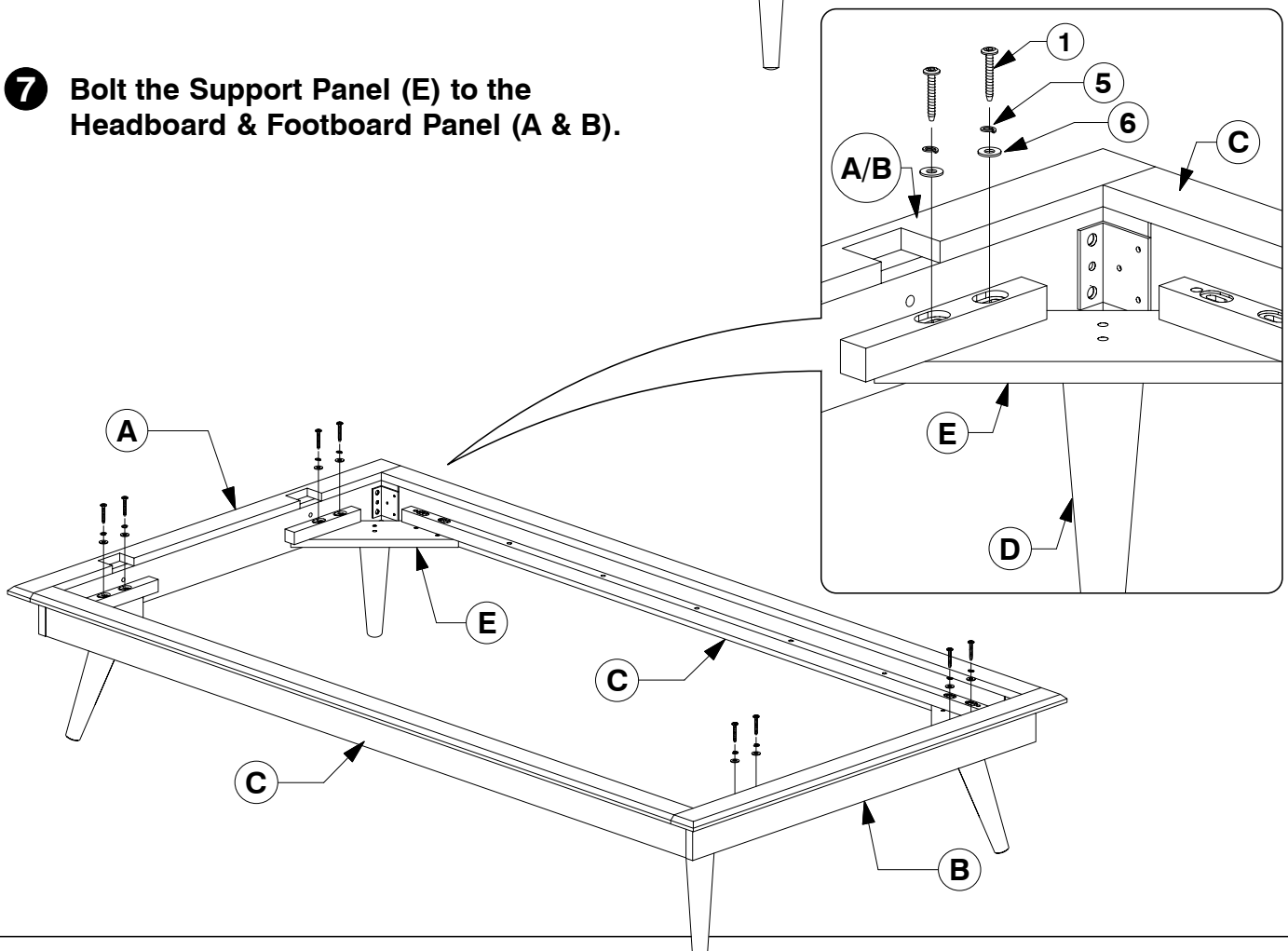
Twin Bed

Assembly Instructions

- 6** Assemble the Side Rail (C) to the Headboard & Footboard Panel (A & B).



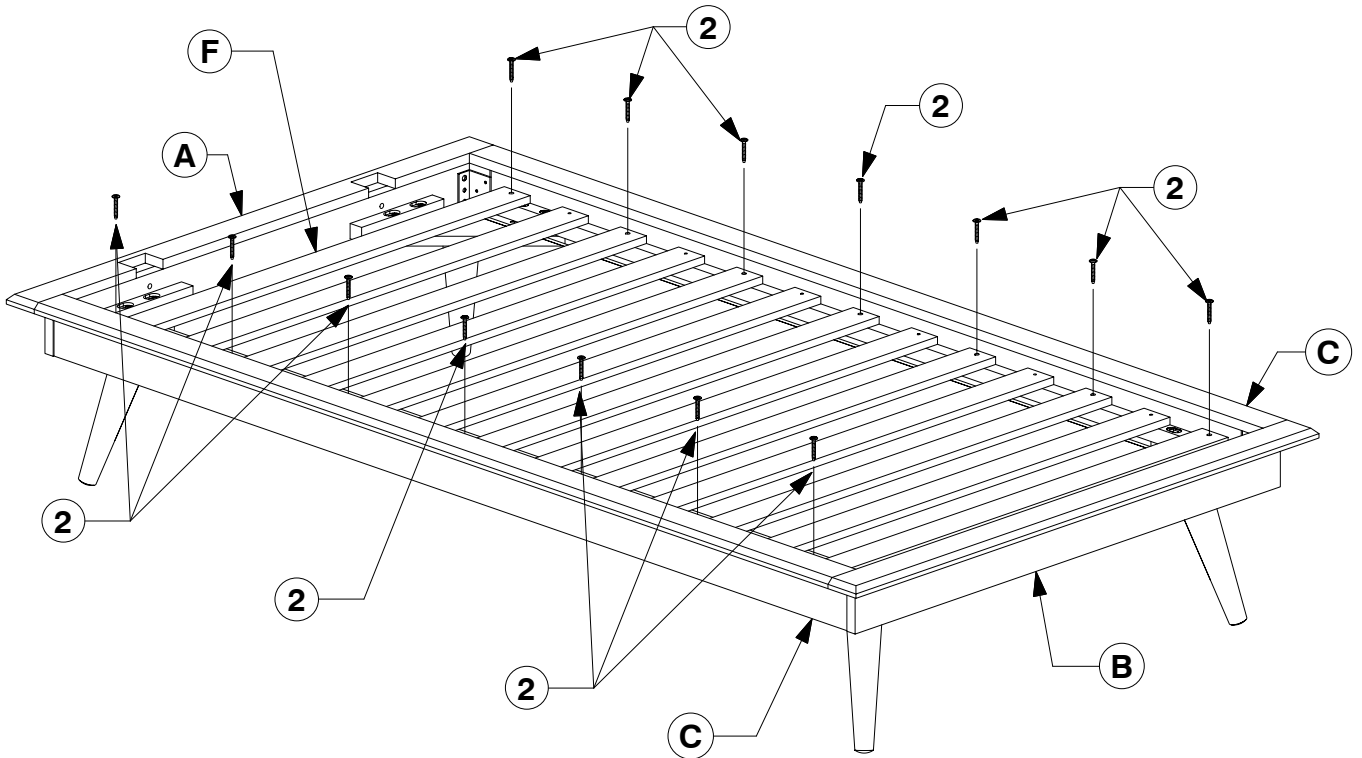
- 7** Bolt the Support Panel (E) to the Headboard & Footboard Panel (A & B).



Twin Bed

Assembly Instructions

- 8 Bolt the Bed Slats (F) to the Side Rail (C).**



- 9 Screw the Bed Slats (F) to the Side Rail (C).**

