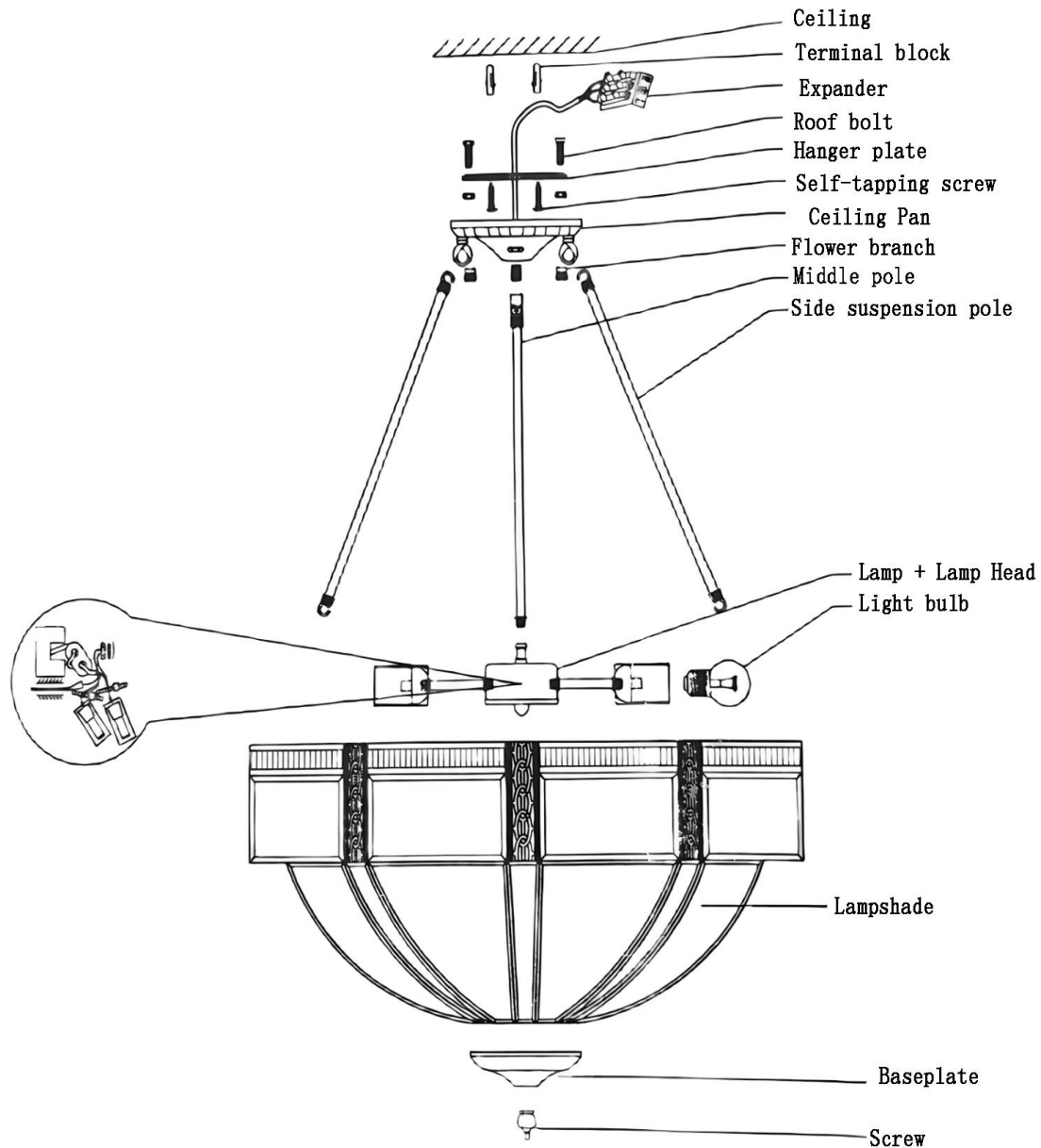


Installation steps



1. Open the outer box, find all the components, and carefully place them on a clean platform to prevent scratches and collisions with the lamp body.
2. Locate the lamp body and ensure that it is connected as per the diagram. The wires inside the junction box should not be exposed and should not be crushed.
3. Assemble the ceiling cover according to the left diagram. The center tooth tube must be locked in place; otherwise, there is a risk of it falling off.
4. Install the middle pole, side suspension pole, and lampshade as per the diagram, and select the appropriate light source.
5. When connecting the power cord, make sure to turn off the power and connect it with the correct polarity.
6. Check the assembled lamp to ensure that the lamp body is balanced and stable. Turn on the power switch and confirm that the lamp is working properly.

Accessory List	Hanging board	1	side suspension pole	4	
Ceiling pan	1	Lampshade	1	Accessories package	1
Middle pole	1	Lamp+Lamo Head	1		