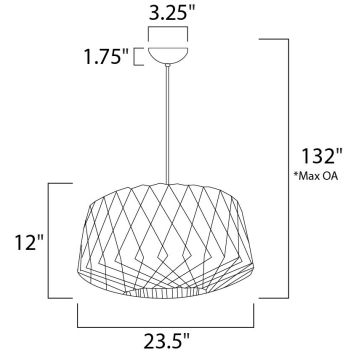


Product Specifications

|           |           |
|-----------|-----------|
| Job Name: | Job Type: |
| Quantity: | Comments: |



1-Light Pendant



**Finish**  
Uddo

**Glass/Shade**

\*max overall height  
**Product Category**  
Entry Foyer Pendant

**Lamping**

|                            |              |
|----------------------------|--------------|
| Number of Bulbs            | 1            |
| Light Type                 | Incandescent |
| Bulb Type                  | MB           |
| Max Bulb Wattage           | 60           |
| Max Fixture Wattage        | 60           |
| Rated Life                 |              |
| Rated Lumens               | ±0           |
| Color Temp                 |              |
| Bulb(s)                    | Not Included |
| Light Up/Down              | N/A          |
| Beam Spread                | N/A          |
| CRI                        | N/A          |
| Photo Cell Included        | N/A          |
| Ballast/Driver/Transformer | No           |
| Dimmable                   | Yes          |

**Measurements**

|                    |          |
|--------------------|----------|
| Width              | 23.50"   |
| Height             | 12.00"   |
| Length             | 23.50"   |
| Extension          | N/A      |
| Back Plate Width   | N/A      |
| Back Plate Height  | N/A      |
| HCO                | N/A      |
| Min Overall Height | 14.00"   |
| Max Overall Height | 132.00"  |
| Hanging Weight     | 3.29 lbs |
| Height Adjustable  | No       |
| Slope              | 120°     |
| Chain Length       | N/A      |
| Wire Length        | 71"      |
| Canopy Width       | N/A      |
| Canopy Height      | N/A      |
| Canopy Length      | N/A      |

**Shipping**

|                    |          |
|--------------------|----------|
| Carton Weight      | 8.81 lbs |
| Carton Width       | 27"      |
| Carton Height      | 16"      |
| Carton Length      | 27"      |
| Carton Cubic Feet  | 6.53     |
| Master Pack        | 1        |
| Master Pack Weight | N/A      |
| Master Pack Width  | N/A      |
| Master Pack Height | N/A      |
| Master Pack Length | N/A      |
| Master Cubic Feet  | N/A      |
| UPS Shippable      | Yes      |

**Certification**

|               |     |
|---------------|-----|
| Safety Rating | Dry |
| Energy Star   | No  |
| CA Title 24   | No  |
| CA Title 20   | No  |
| ADA           | No  |
| Dark Sky      | N/A |

**Other**

|                   |     |
|-------------------|-----|
| Shades Included   | N/A |
| Crystals Included | N/A |
| Diffuser Included | N/A |
| Conversion Kit    | N/A |
| Material          | N/A |

**Equivalents**

|                    |     |
|--------------------|-----|
| Incandescent Watts | N/A |
| Fluorescent Watts  | N/A |

Always consult a qualified, licensed electrician before installation of any product weighing 35 pounds or more. We recommend that a qualified, licensed electrician do the installation. Always install to a mechanically sound structure.