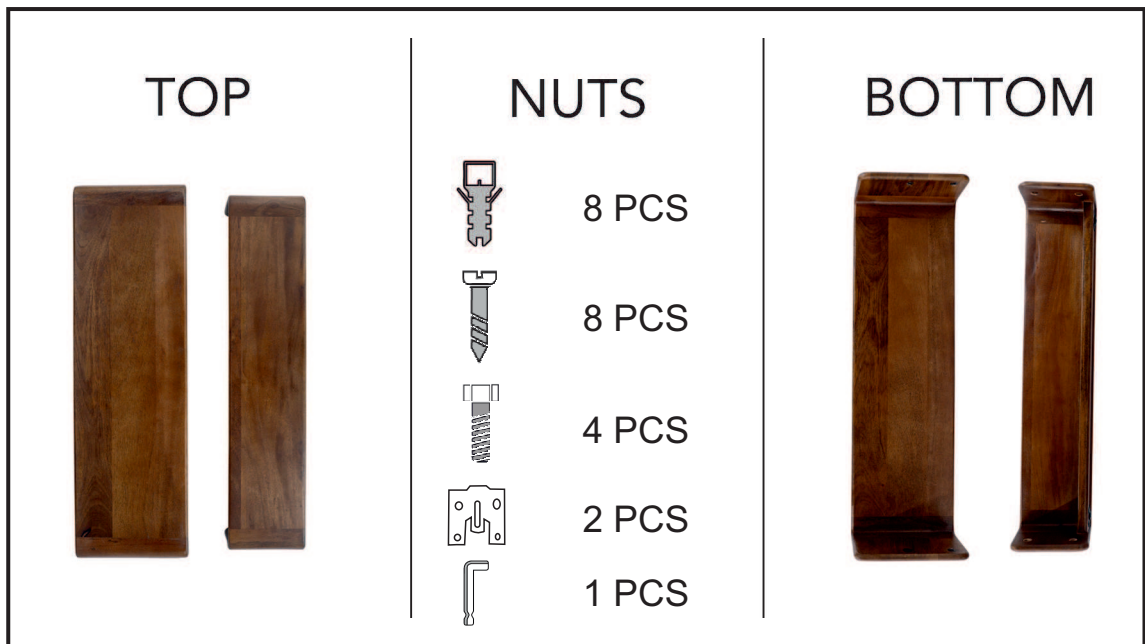


# Installation & Assembly



## PRODUCT PARTS

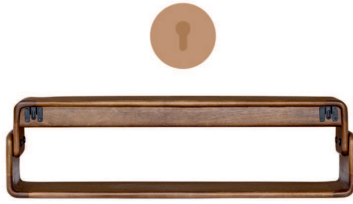


## CARE GUIDE :

- While assembling the product, tighten the bolts up to 50%. Once all parts are in place, only then fully tighten the bolts.
- Clean regularly with a soft and dry cloth.
- To protect inish, avoid use of abrasive cleaners.
- Wipe up spills immediately. Please!

# Assembly Instructions

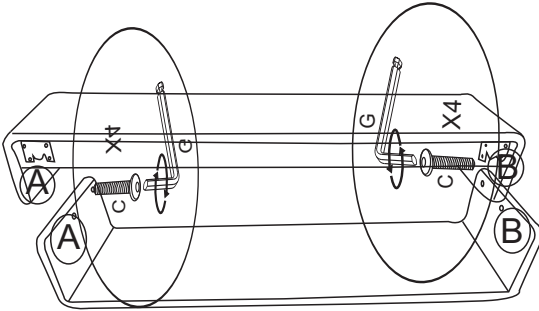
Keyhole Mounting



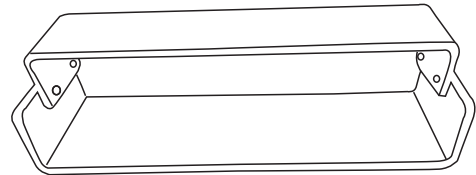
Hassle-Free Assembly



(1)



(2)



(3)

