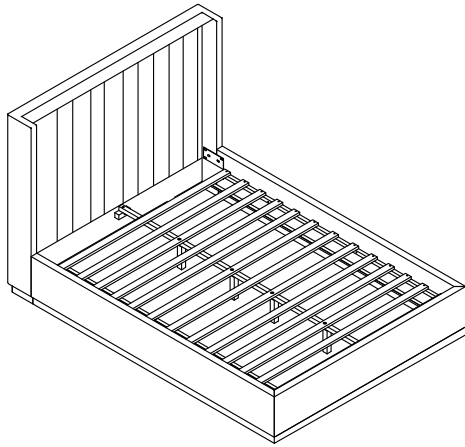


# ASSEMBLY INSTRUCTION

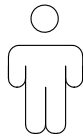
## Bed- Q/F



**+ Do Not Use Power Tools**



**+Suggested Adults**



**NOTE:**

- 1 Read instructions cover to cover.
- 2 Save all packaging until assembly is completed.

**1 IMPORTANT SAFETY INFORMATION**

**Do not** assemble the product if any of the following parts arrived damaged:

- Part#1 -Headboard
- Part#2 -Footboard
- Part#3 -Wood strip for Side rail
- Part#4 -Center support rails
- Part#5 -Side rail
- Part#6 -Slats
- Part#7 -Center leg
- Part#8 -Wood Block on Headboard & Footboard

**Do not** assemble if any of the following Hardware parts are missing:

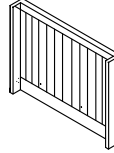
- Part#B,E, -Bolt
- Part#A, -Allen Key
- Part#C,H -Flat washer
- Part#D, -Lock washer
- Part#G,I -Metal bracket
- Part#F -screw

**2 IMPORTANT SAFETY INFORMATION**

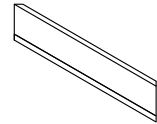
**Assembly Step** if loosening persists, please make sure to tighten all the bolts periodically, or use a thread locker adhesive.

**+Parts Included**

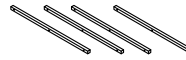
① Headboard (1pc)



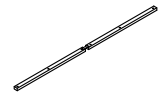
② Footboard (1pc)



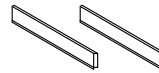
③ Wood strip for Side rail (4pcs)



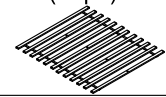
④ Center support rails (1pc)



⑤ Side rail (2pcs)



⑥ Slats (13pc)



⑦ Center leg (4pcs)



⑧ Wood Block on Headboard & Footboard (2pcs)



**+Hardware Included**

A Ø1/4" (1pc)



B Ø5/16" \*1" (24pcs)



C Ø5/16" (24pcs)



D Ø5/16" (42pcs)



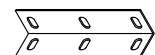
E Ø1/4" \*2" 3/8" (18pcs)



F #8\*30mm (28pcs)



G Metal bracket (2pcs)



H Ø1/4" (18pcs)



I Metal bracket (2pcs)



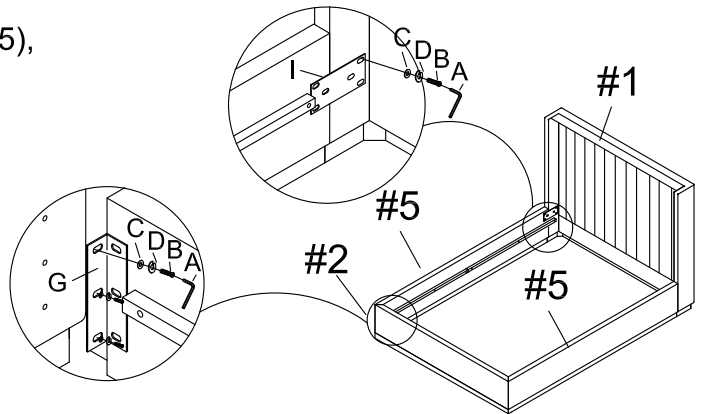
# ASSEMBLY INSTRUCTION

## Bed- Q/F

1

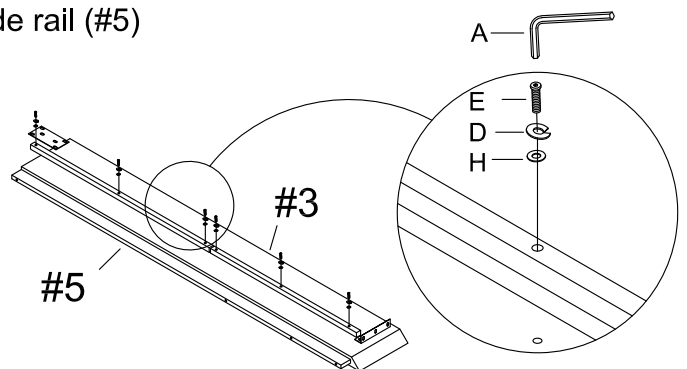
Step 1. Attach Metal Bracket (G) to side rail (#5),  
Footboard (#2) with Bolt (B),  
Lock washer (D) and Flat washer (C) .  
Tighten with Allen Key (A).

Attach Metal Bracket (I) to side rail (#5),  
Headboard(#1) with Bolt (B),  
Lock washer (D) and Flat washer (C) .  
Tighten with Allen Key (A).



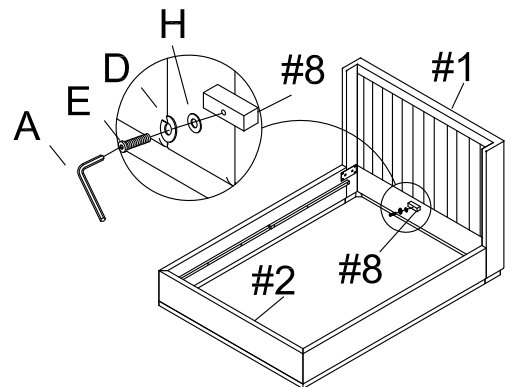
2

Step 2. Attach Wood strip for Side rail (#3) to side rail (#5)  
with Bolt (E), Lock washer (D) and  
Flat washer (H) .Tighten with Allen Key (A).



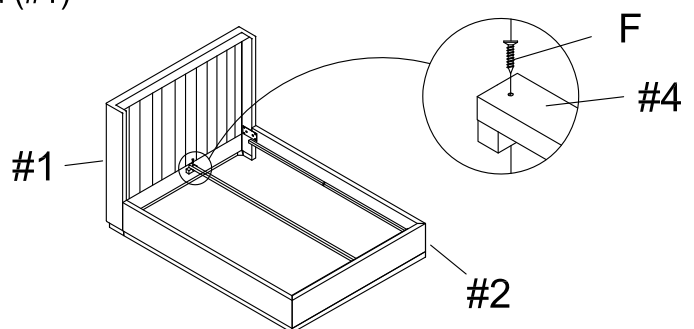
3

Step 3. Attach Wood Block on (#8) to Headboard  
(#1) and Footboard (#2) with Bolt (E), Lock washer (D) and  
Flat washer (H) .Tighten with Allen Key (A).



4

Step 4. Center support rails (#4) to Headboard (#1)  
and Footboard (#2) with Screw(F).

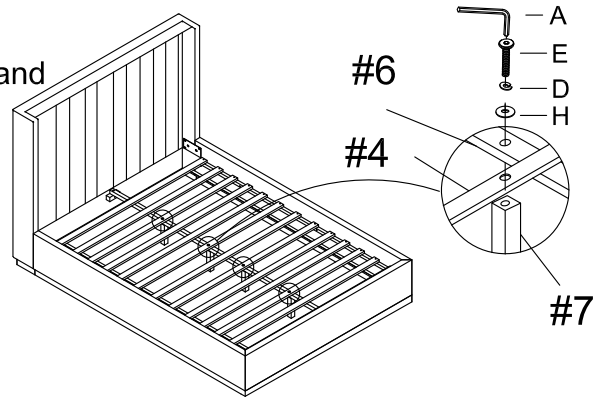


# ASSEMBLY INSTRUCTION

## Bed- Q/F

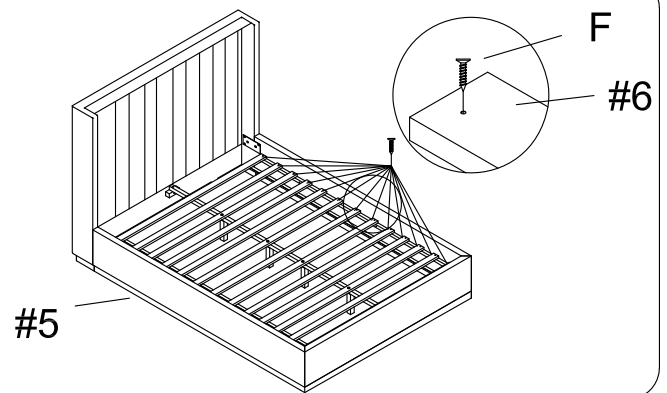
5

Step 5. Attach Center leg (#7) to Center support rail (#4) and Slats (#6) with Bolt (E), Lock washer (D) and Flat washer (H). Tighten with Allen Key (A).



6

Step 6. Attach Slats (#6) to Side rail (#5) with Screw (F).



7

Assembly Complete.

