
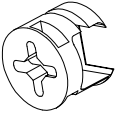
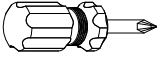
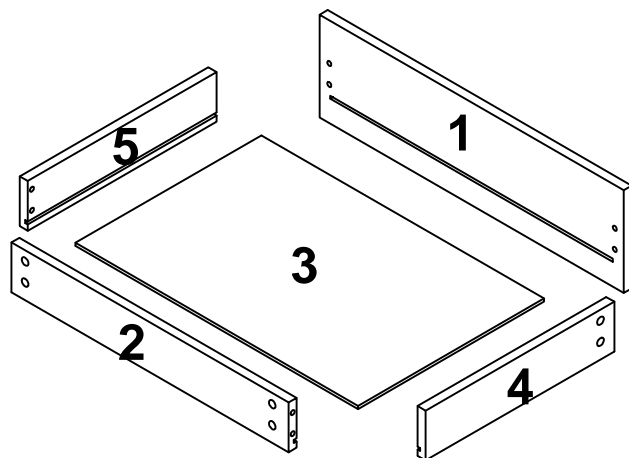


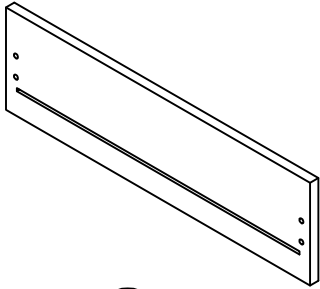
Components-Fittings

Please check you have all the panels listed below

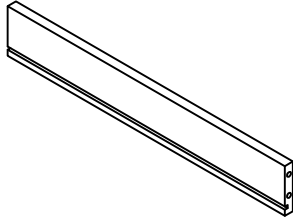
Note: The quantities below are the correct amount to complete the assembly. In some cases more fittings may be supplied than are required.

| A  Cam Bolt X8 | B  Cam Lock X8 | C  X1 | |
|---|---|---|--|
| | | | |
| | | | |
| | | | |

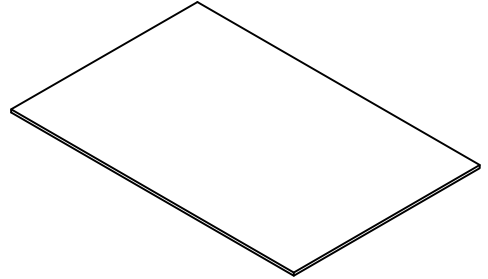




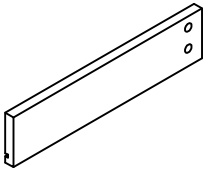
① X1



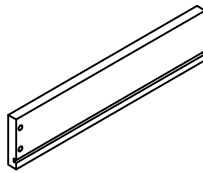
② X1



③ X1

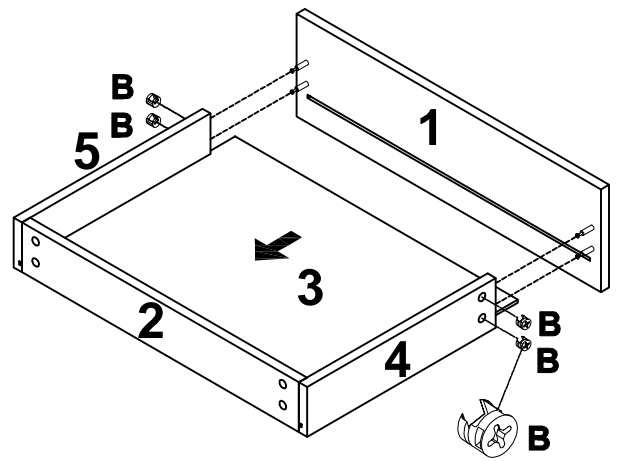
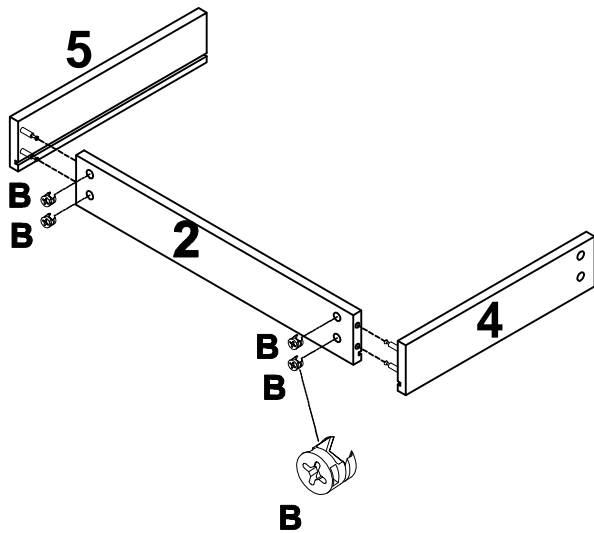
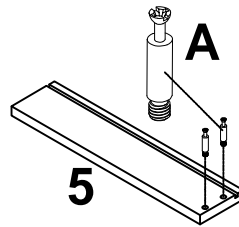
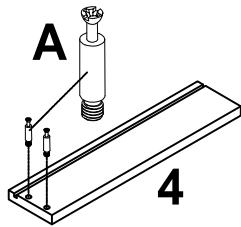
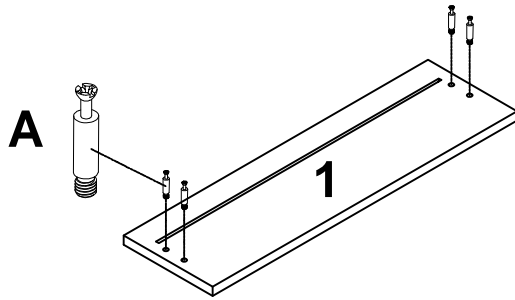


④ X1

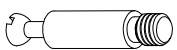


⑤ X1

1.



A*8



Cam Bolt

B*8



Cam Lock