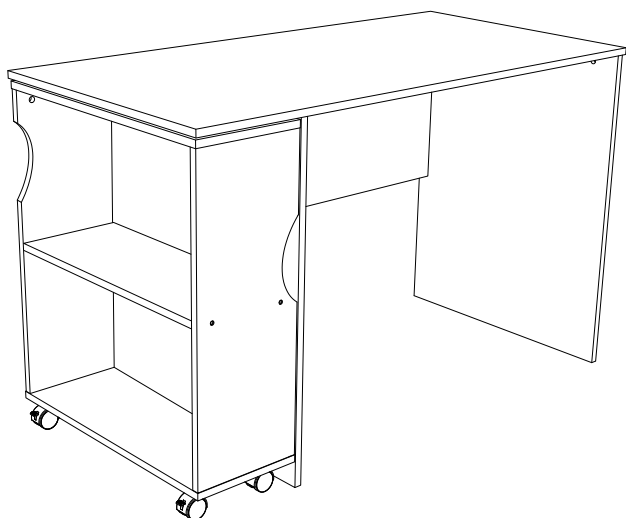
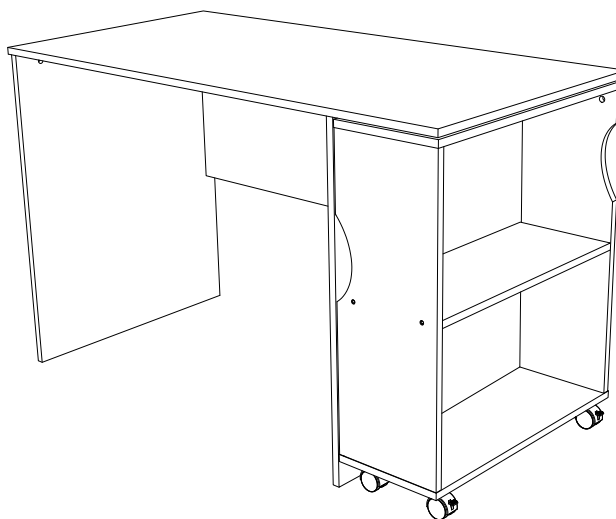


LEA ESTAS INSTRUCCIONES ANTES DE ENSAMBLAR EL PRODUCTO Y CONSERVE PARA FUTURAS REFERENCIAS.

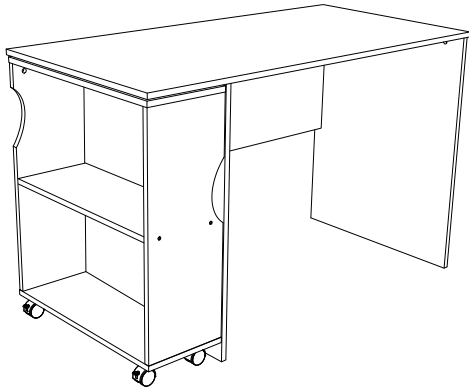


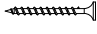


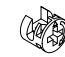
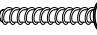




A page 2-4

B page 5-7

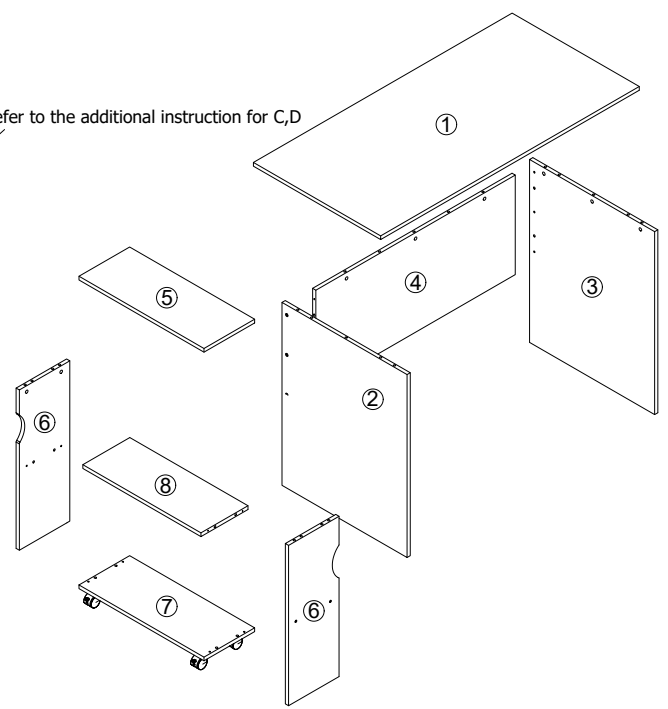


- ADVERTENCIA:**
- No pararse sobre el PRODUCTO
 - No utilizar el PRODUCTO a menos que todos sus tornillos, tuercas y aditamentos estén firmemente asegurados
 - Checar al menos cada cuatro meses que todos los tornillos, tuercas y aditamentos del PRODUCTO estén firmemente asegurados
 - Dejar de usar el producto si le faltan partes, están rotas, dañadas o desgastadas hasta que estas sean reparadas
 - No seguir las indicaciones anteriores, puede resultar en algún accidente serio



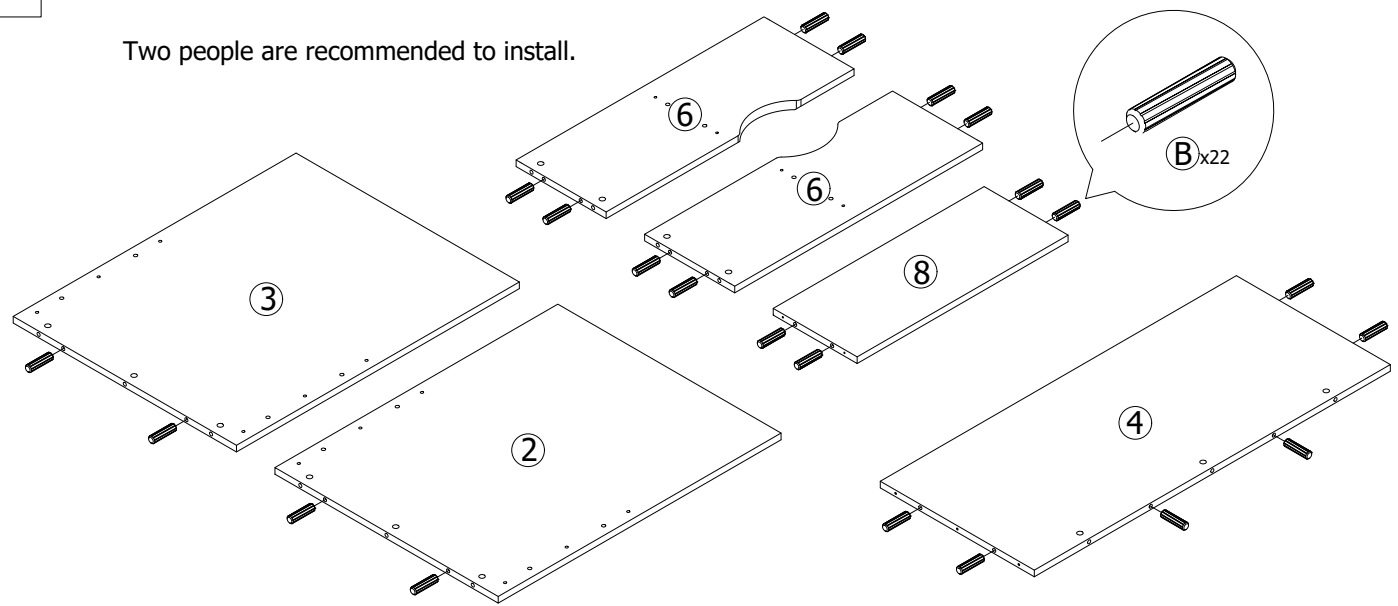
-  **A** x8
-  **B** x22
-  **C** x13
-  **D** x13
-  **E** x6
-  **F** x26
-  **G** x2
-  **H** x2
-  **I** x16

refer to the additional instruction for C,D

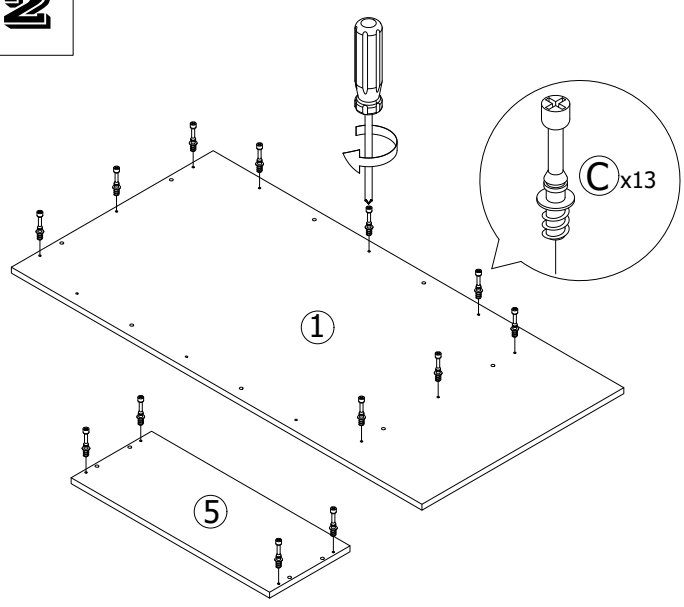


1

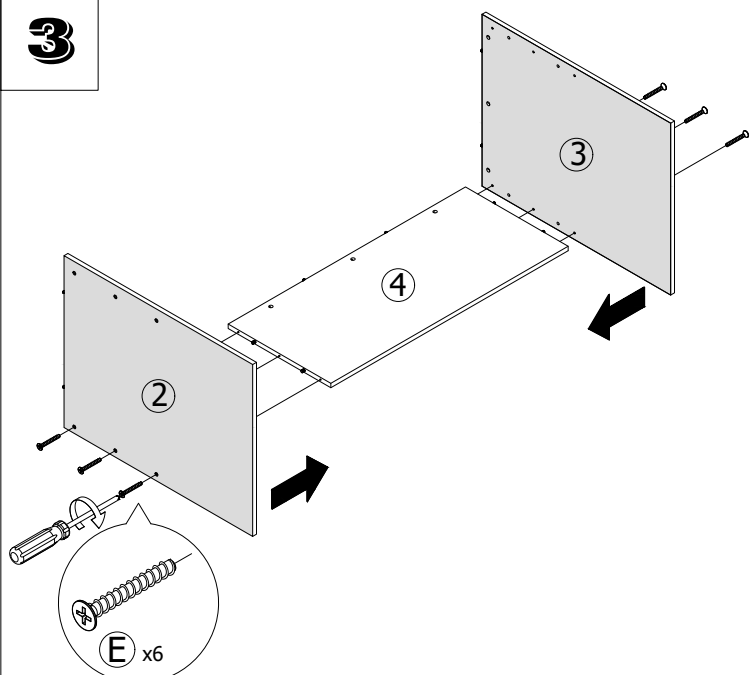
Two people are recommended to install.



2

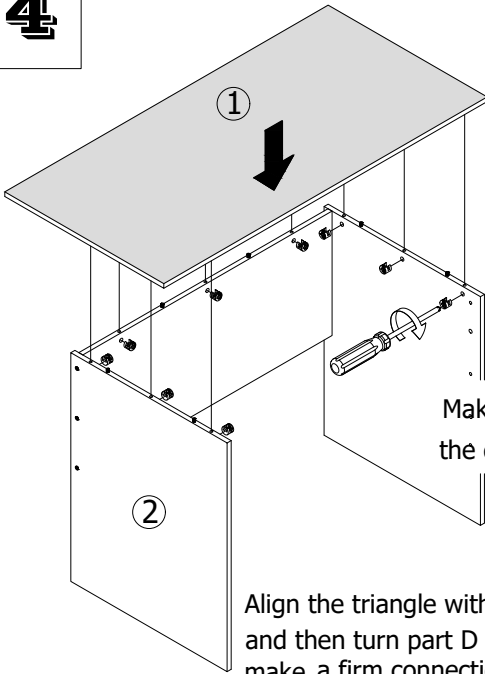


3



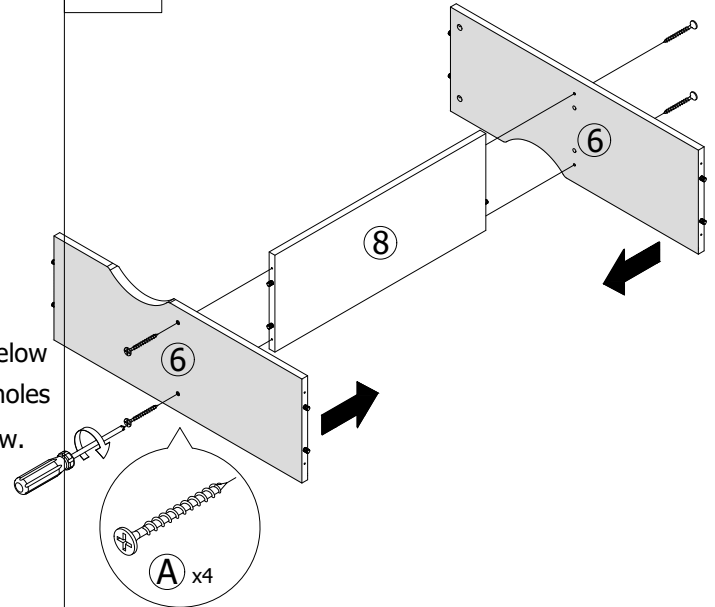
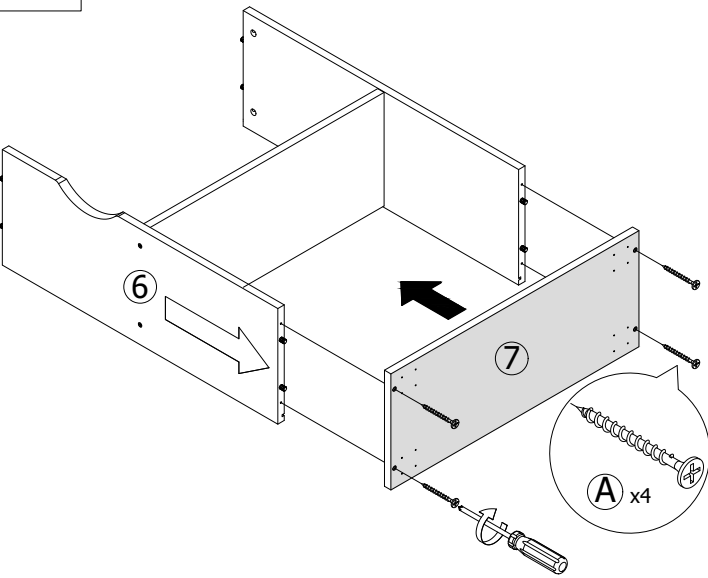
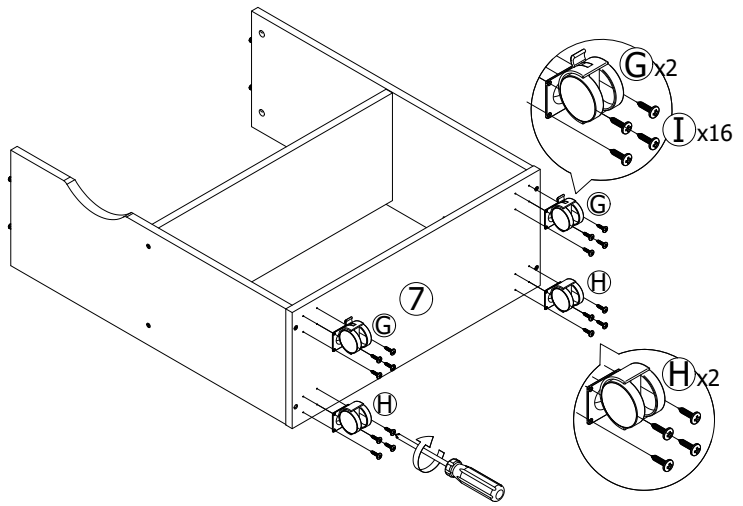
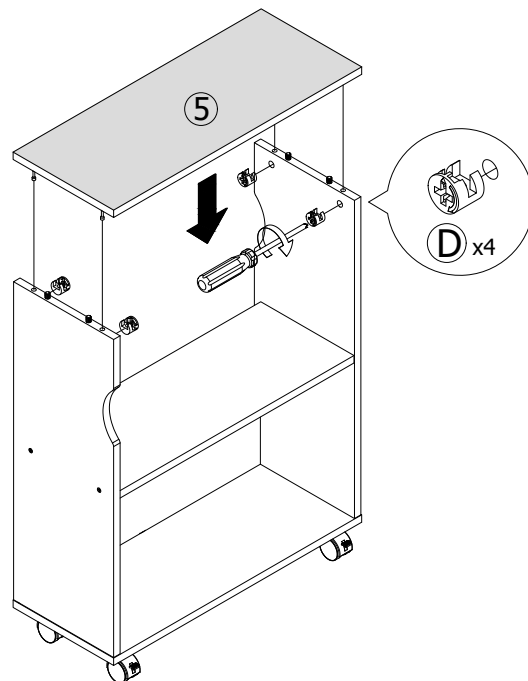
4

Part D has a triangle sign and an arrow sign.

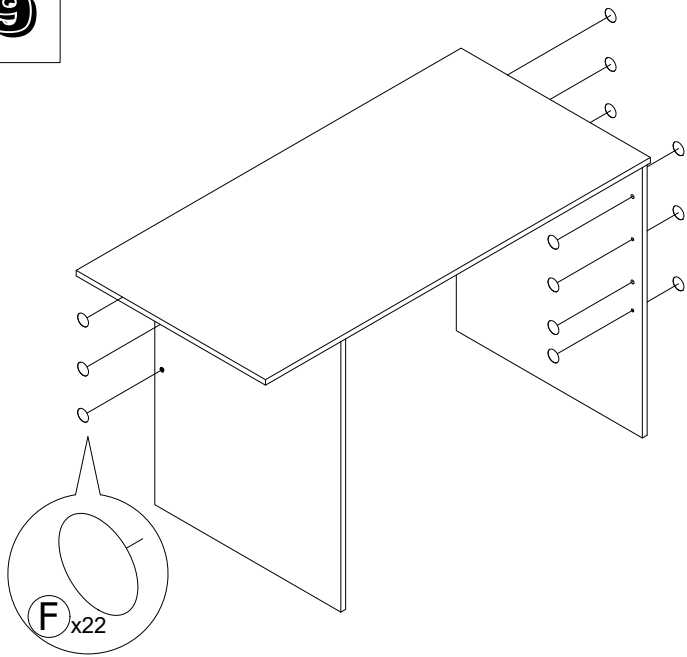


Align the triangle with the screw hole, and then turn part D clockwise to make a firm connection between the plates.

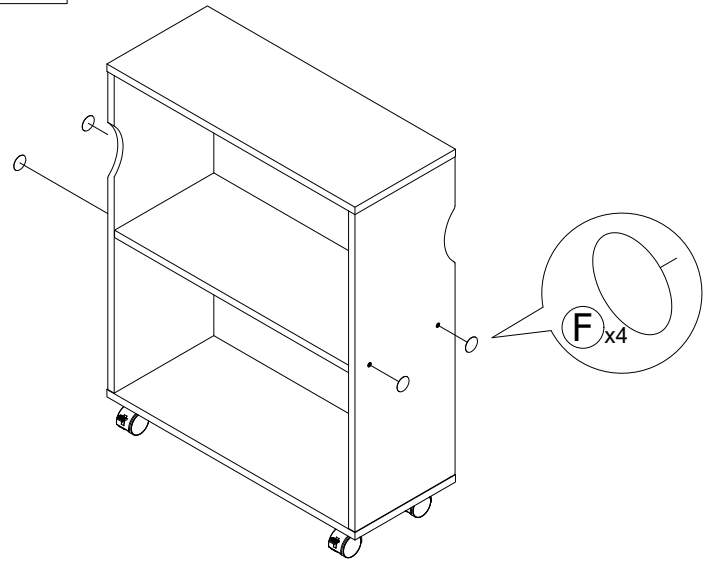
Make all wooden wedges below the desktop correspond to holes in the frame below.

D x9**5****A** x4**6****A** x4**7****I** x16**H** x2**8****D** x4

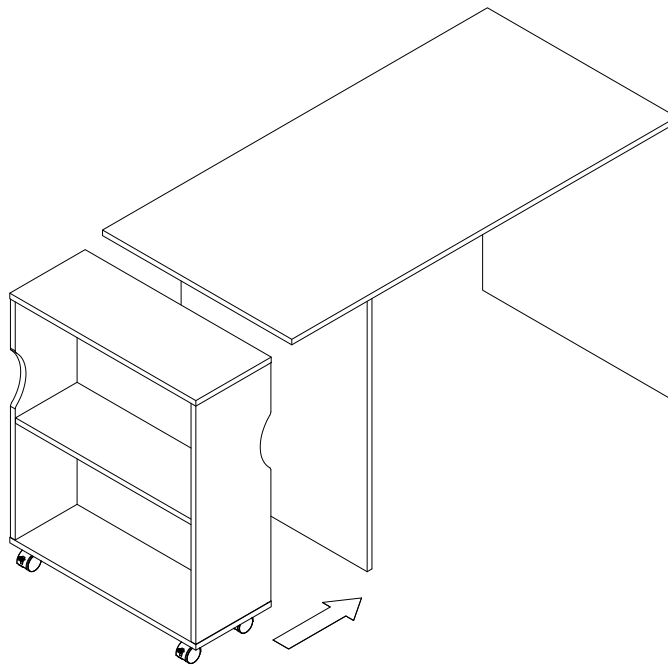
9



10



11

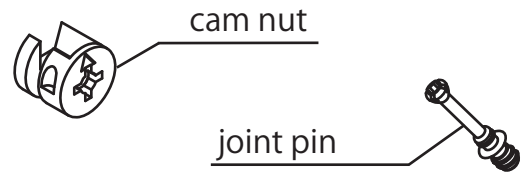


[How to attach the cam nut joint pin]

with this product. : Use the cam nut and the team joint bin as a set.

Due to the special mounting method, the following mounting method

Please read it carefully and perform the assembly work.

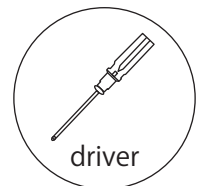
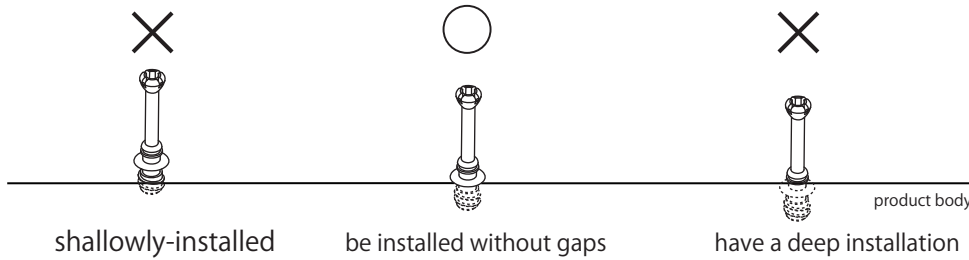


[Joint Pin Attachment Diagram]

The joint pins may be too shallow or too deep to break the catch and prevent the cam nut from being engaged

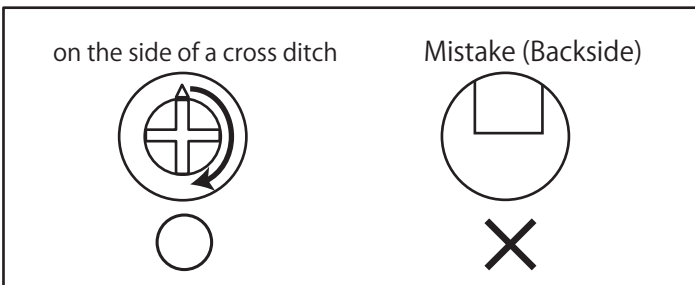
In addition, the receiving part of the item sometimes sticks out from the main body.

In that case, please attach the rubber part of the product body and the joint pin so that it is flat.

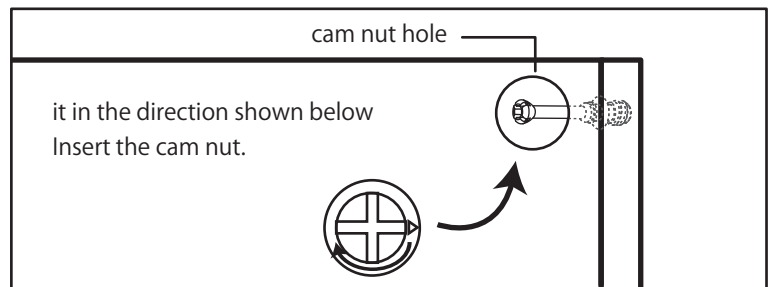


with a driver, etc.
Please use a chisel to attach it.

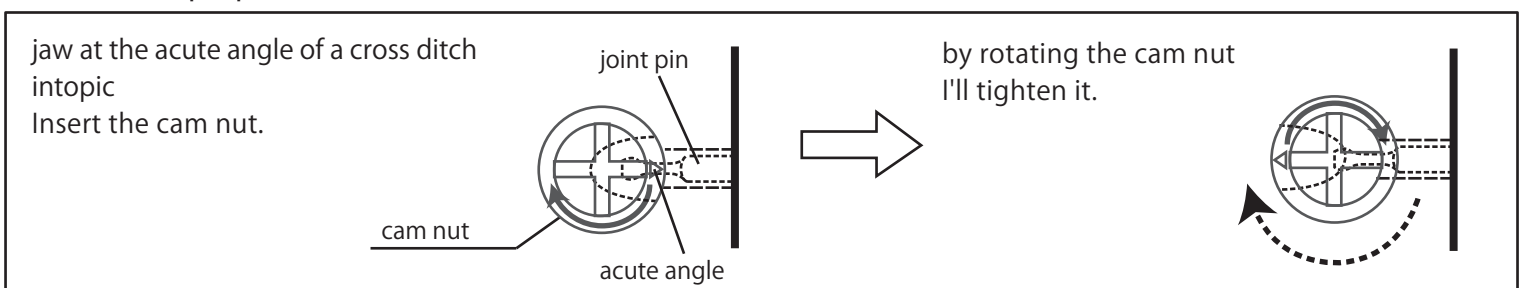
[The direction of the camnut]



[Cam-nut Insertion Diagram]

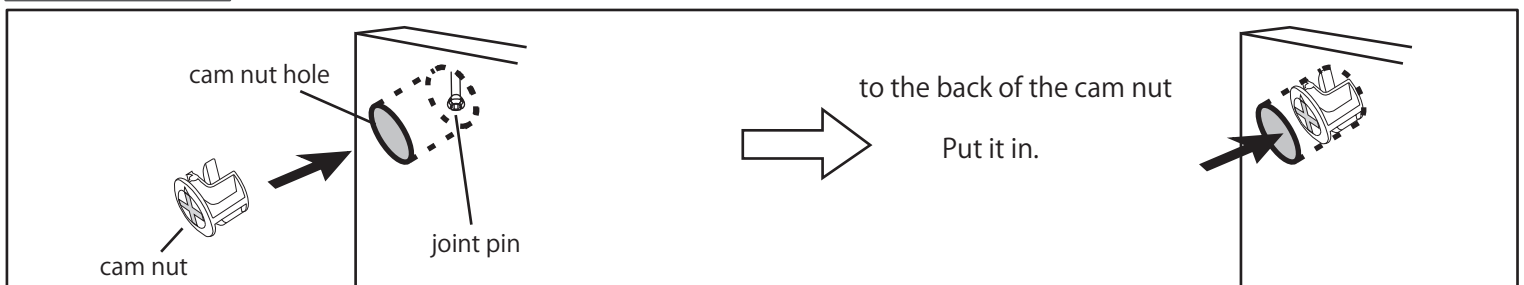


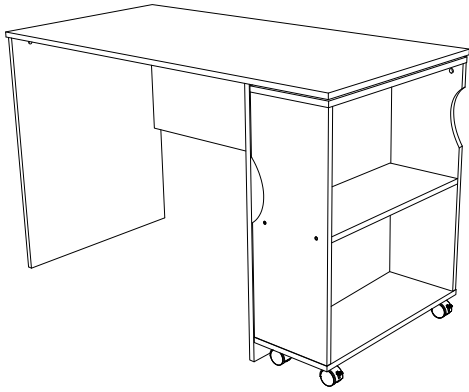
[How to wrap up the camnut]

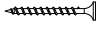










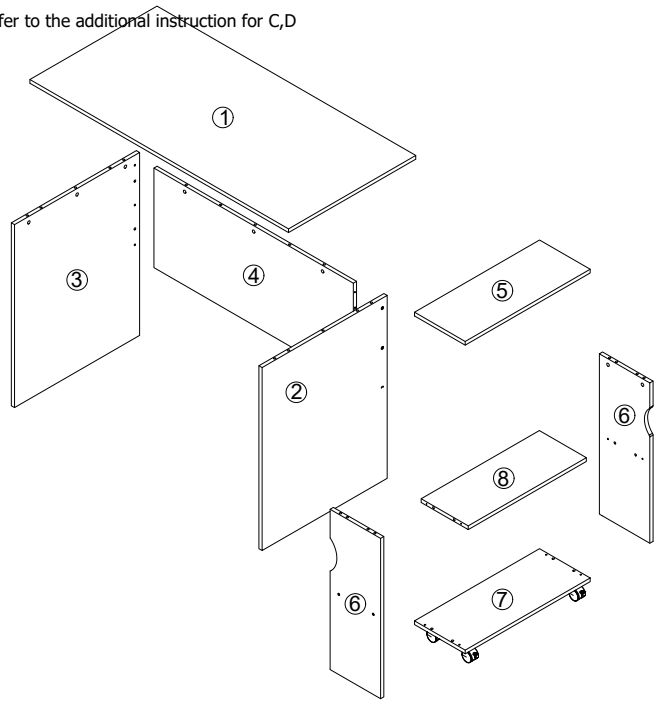
be careful

If the cam nut is hard to fit into the cam nut hole, verify that the head of the joint pin is in the middle of the cam nut hole. Push hard with a screwdriver.



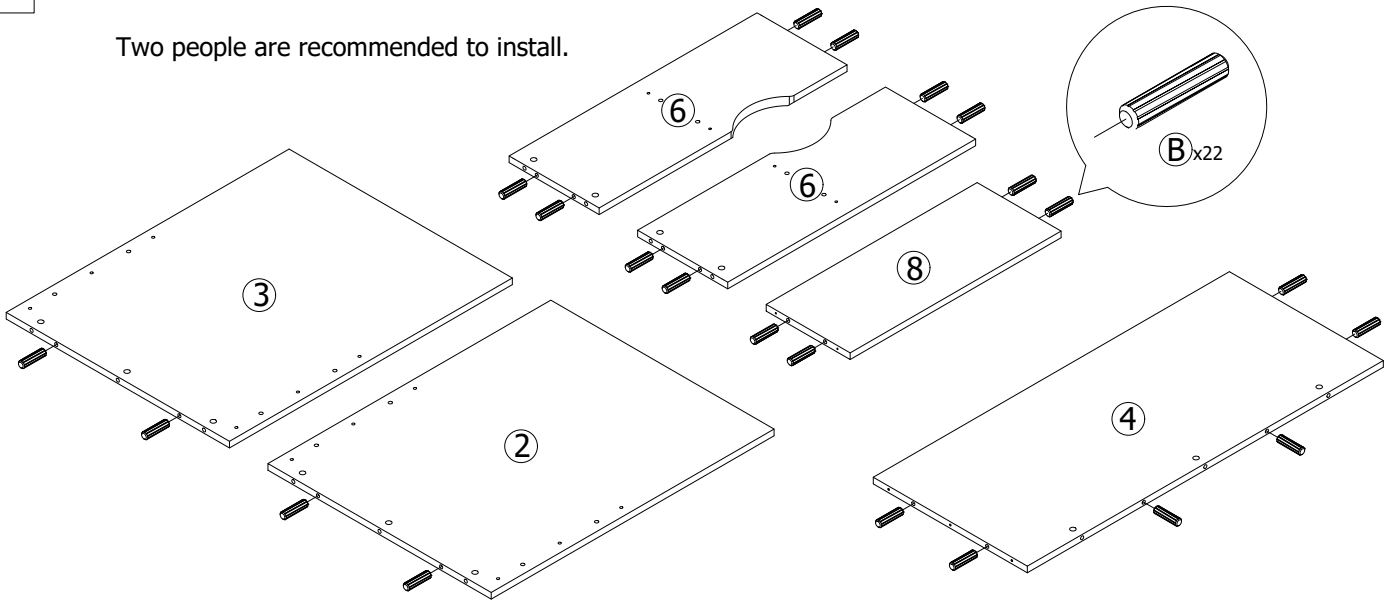


-  **A** x8 refer to the additional instruction for C,D
-  **B** x22
-  **C** x13
-  **D** x13
-  **E** x6
-  **F** x26
-  **G** x2
-  **H** x2
-  **I** x16

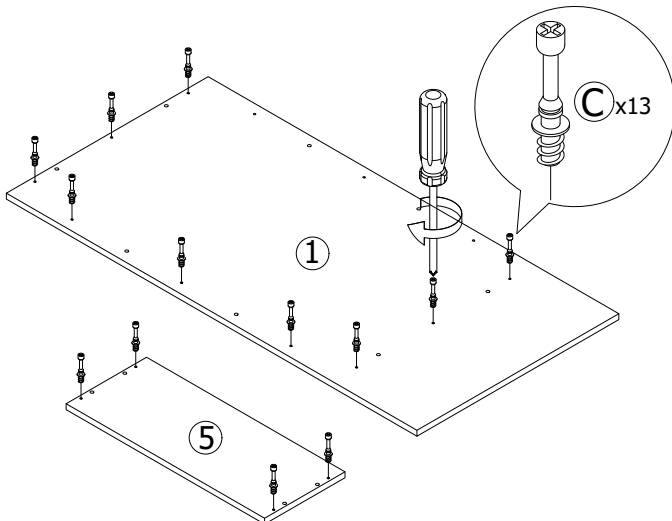


1

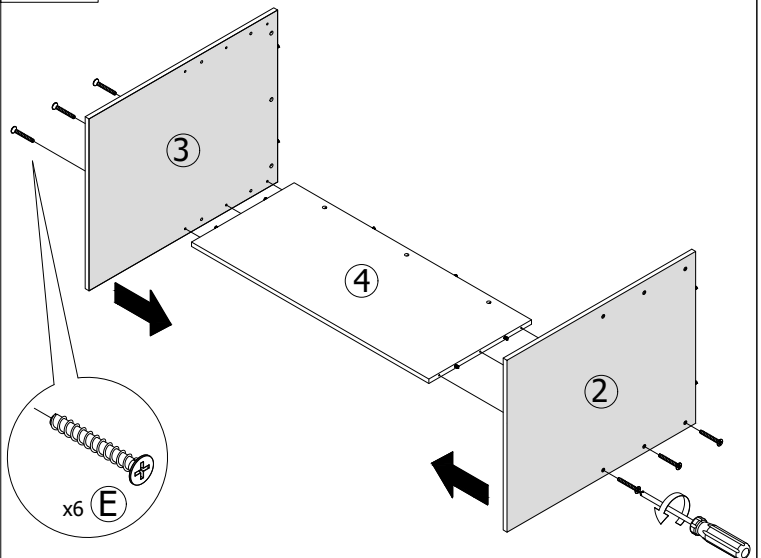
Two people are recommended to install.

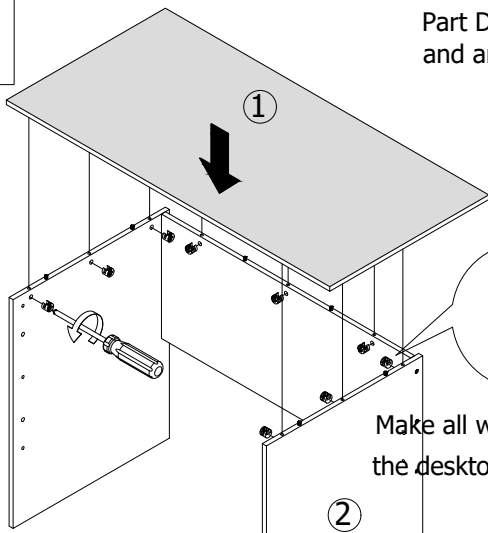


2



3

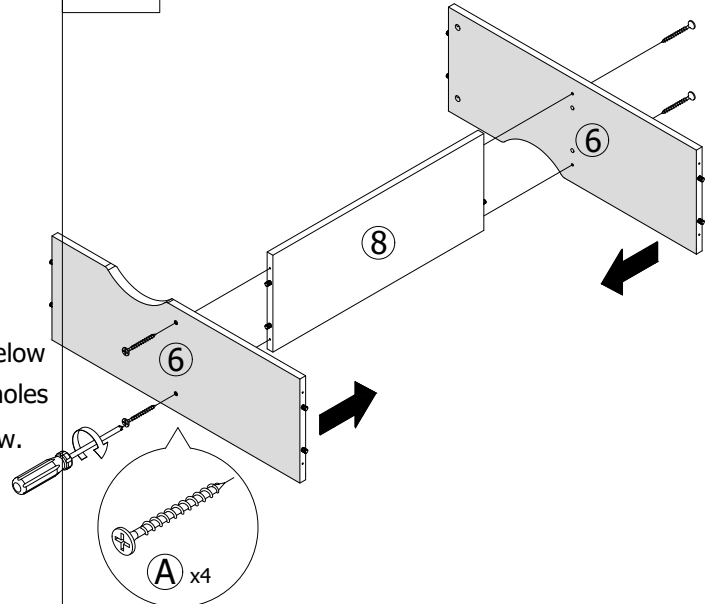
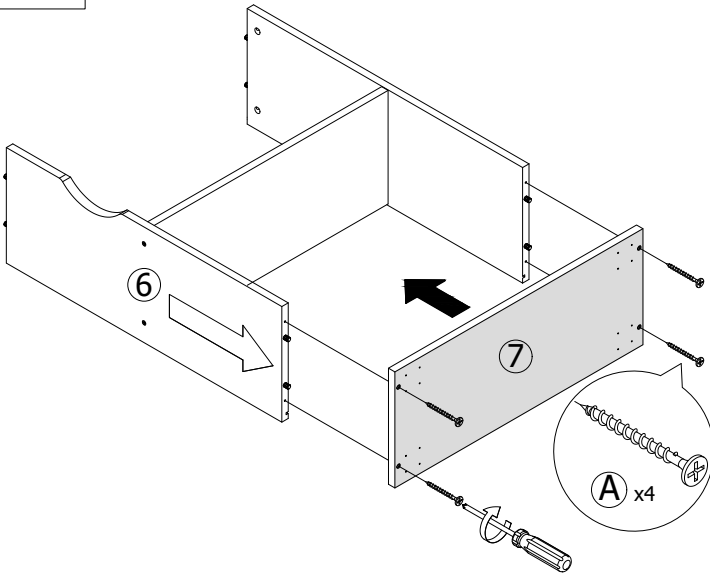
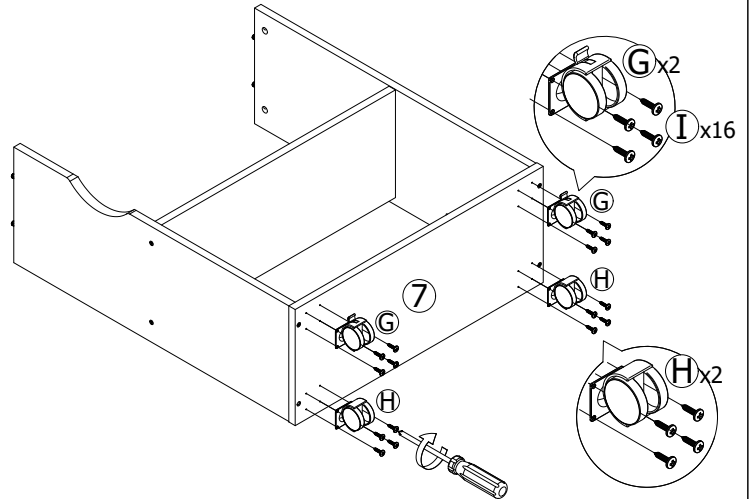
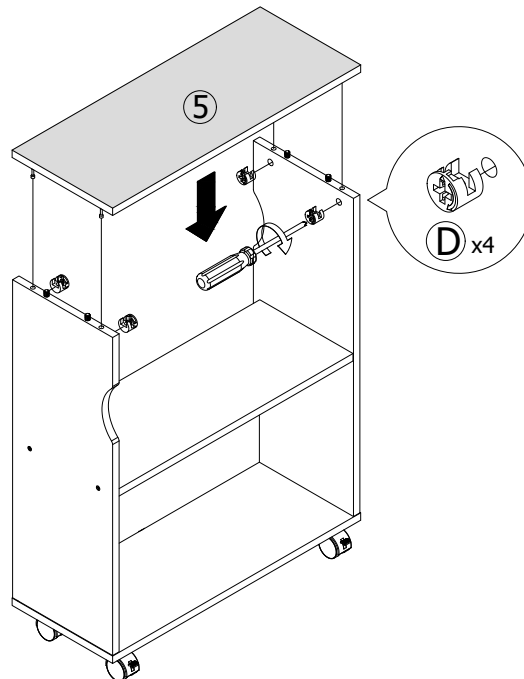


4

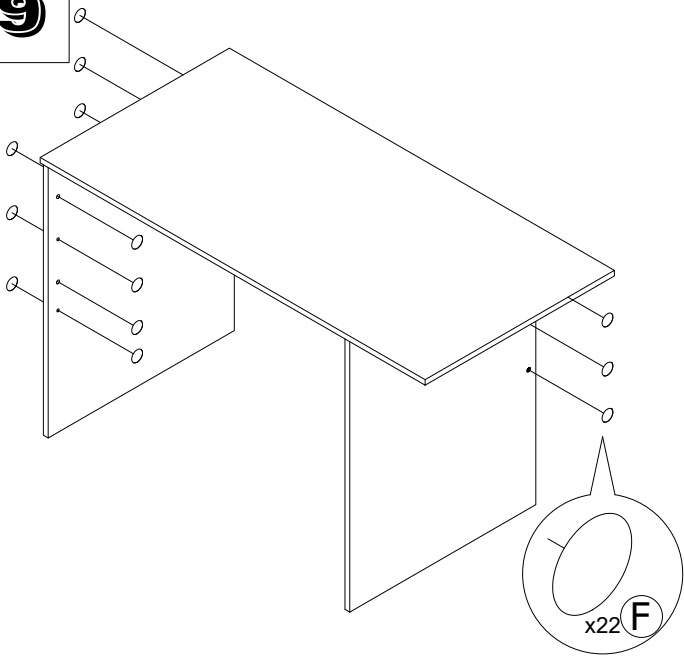
Part D has a triangle sign and an arrow sign.

Make all wooden wedges below the desktop correspond to holes in the frame below.

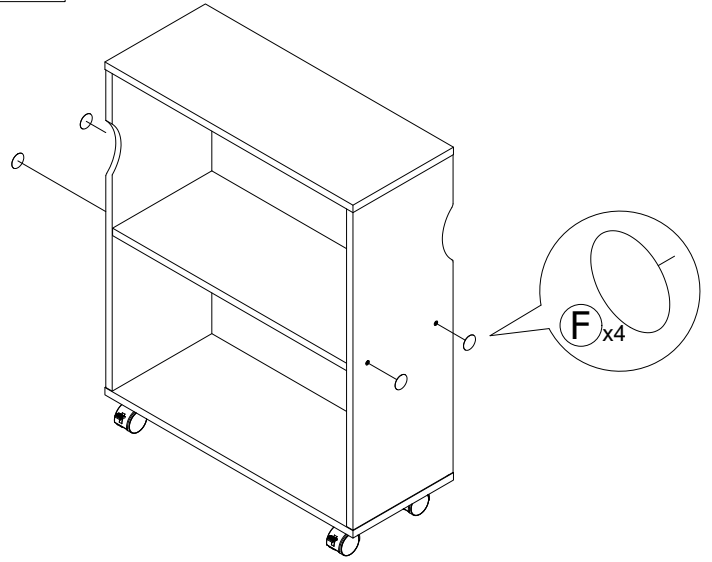
Align the triangle with the screw hole, and then turn part D clockwise to make a firm connection between the plates.

5**6****7****8**

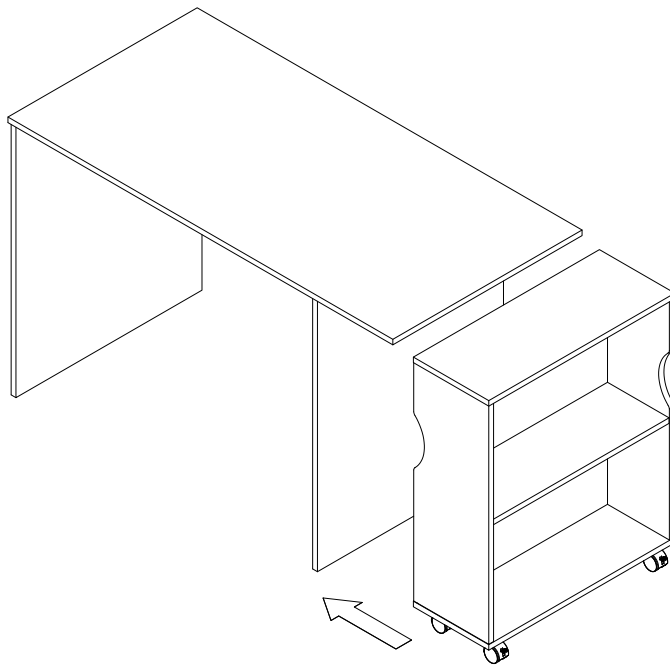
9



10



11

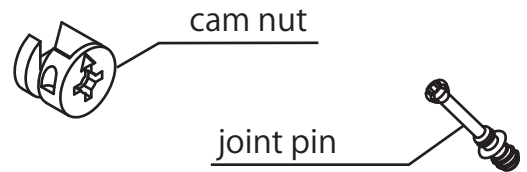


[How to attach the cam nut joint pin]

with this product. : Use the cam nut and the team joint bin as a set.

Due to the special mounting method, the following mounting method

Please read it carefully and perform the assembly work.

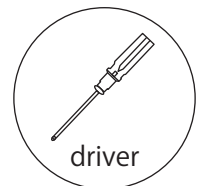
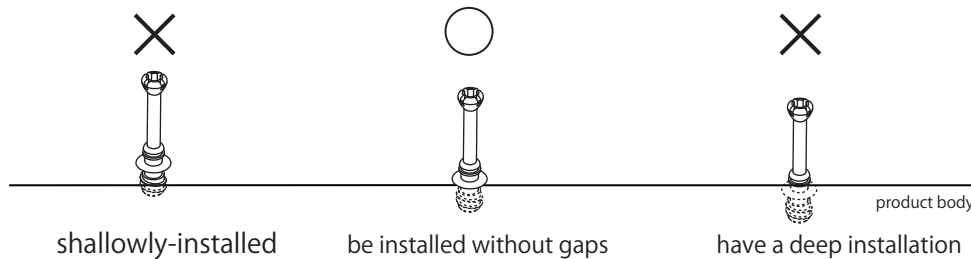


[Joint Pin Attachment Diagram]

The joint pins may be too shallow or too deep to break the catch and prevent the cam nut from being engaged

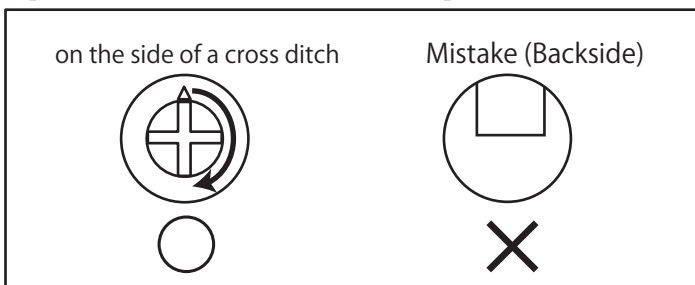
In addition, the receiving part of the item sometimes sticks out from the main body.

In that case, please attach the rubber part of the product body and the joint pin so that it is flat.

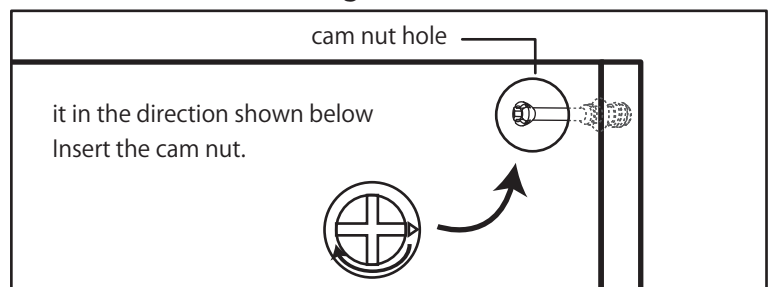


with a driver, etc.
Please use a chisel to attach it.

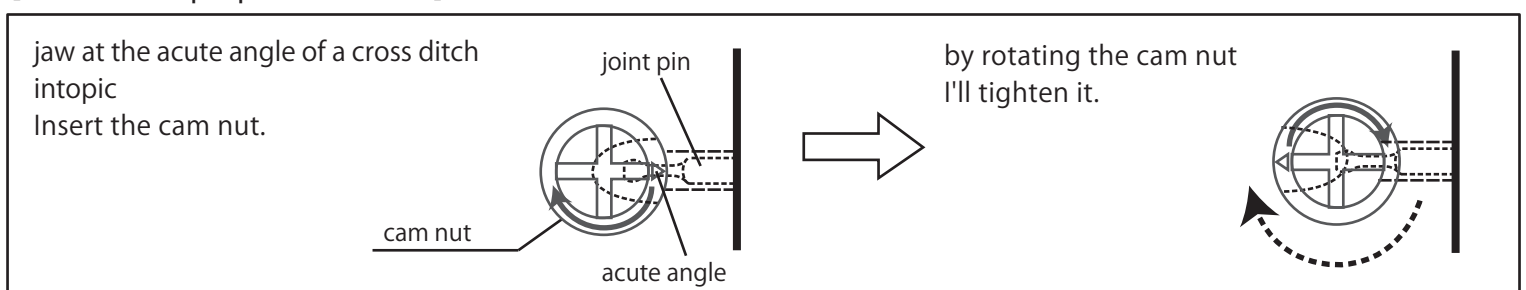
[The direction of the camnut]



[Cam-nut Insertion Diagram]



[How to wrap up the camnut]



be careful

If the cam nut is hard to fit into the cam nut hole, verify that the head of the joint pin is in the middle of the cam nut hole.
Push hard with a screwdriver.

