

Thank you for your purchase!

Computer Table

ASSEMBLY INSTRUCTIONS

Before You Begin: Philips screwdriver (Not Included) required for assembly.

Please identify all component parts and hardware pieces required before you begin. Carefully remove all of the components from the packaging and set aside for assembly. Assemble on a soft surface to prevent scratching during assembly.

Caution:

Tighten all components securely before use. Failure to do so may result in personal injury.

DO NOT use any sharp objects to open plastic wrapped components as damage to product or components may result.

Warning:






CHOKING HAZARD - Small Parts. Adult Assembly Required.

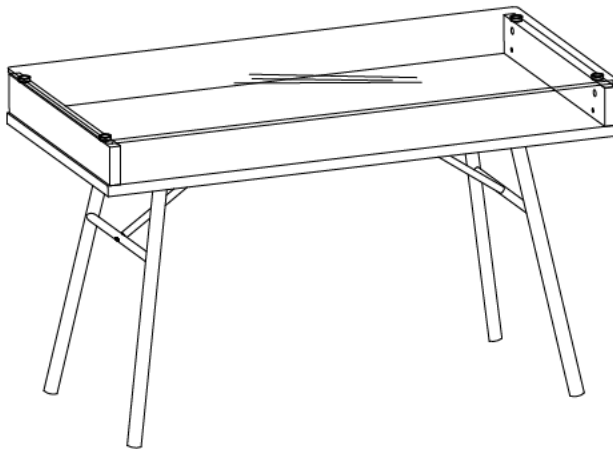
DO NOT ALLOW CHILDREN TO CLIMB ON FURNITURE

Serious or fatal injuries can occur from furniture tipping over. You must install Tipping Restraint Hardware (where included) to help prevent the unit from tipping and causing accidental injury, instability, death or damage. The tipping restraint is intended only as a safety measure, it is not a substitute for proper adult supervision.

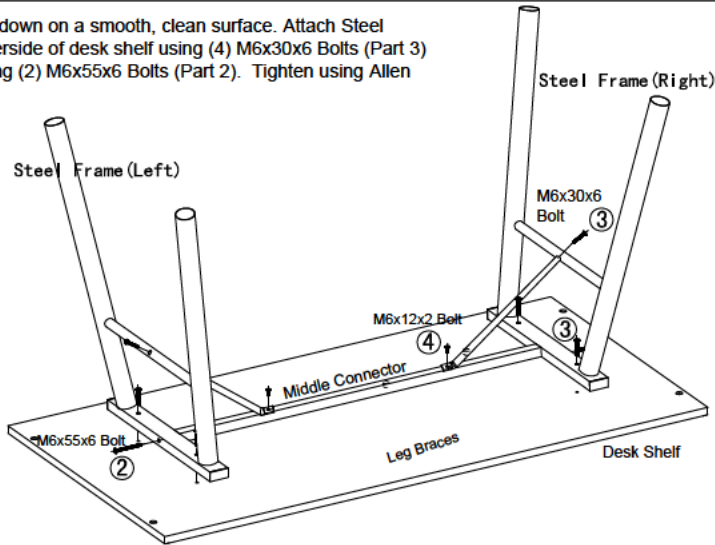
To help prevent furniture from tipping over it must be permanently attached to the wall. Anti-Tip Safety Wall Straps suitable for the unit weight and wall materials (if not included) should be purchased and installed.

PARTS

①	Screw-In Pin	Cam Lock	x4
②			
③			
④			
⑤			
⑥			

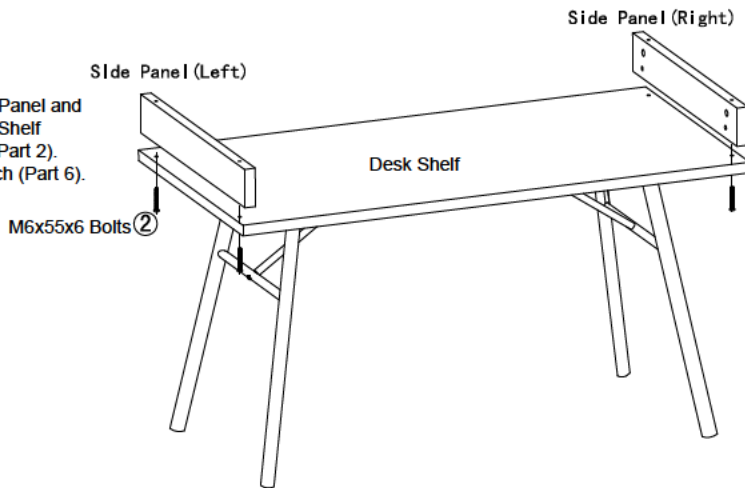


1 **STEP 1A:** Lay Desktop face down on a smooth, clean surface. Attach Steel Frame Left and Right to underside of desk shelf using (4) M6x30x6 Bolts (Part 3) and to Middle Connector using (2) M6x55x6 Bolts (Part 2). Tighten using Allen Wrench (Part 6).



STEP 1B: Attach Leg Braces to Left and Right Legs using (2) M6x30x6 Bolts (Part 3) and to Middle Connector using (2) M6x12x2 Bolts (Part 4). Tighten using Allen Wrench (Part 6).

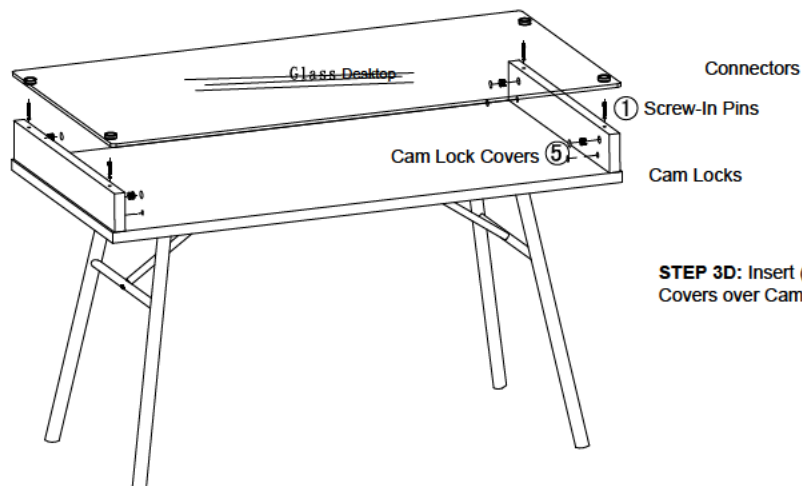
2 **STEP 2:** Attach Left Side Panel and Right Side Panel to Desk Shelf using (4) M6x55x6 Bolts (Part 2). Tighten using Allen Wrench (Part 6).



3 **STEP 3A:** Insert (4) Screw-In Pins into the connectors on the underside of the glass desktop. Turn clockwise to tighten.

STEP 3B: Insert Cam Locks (Part 1) into the inner holes on the Left and Right Side Panels.

STEP 3C: Insert (4) Screw-In Pins into the Left and Right Side Panels. Using a Philips Screwdriver (Not Included) turn Cam Locks to tighten.



STEP 3D: Insert (4) Cam Lock Covers over Cam Locks.