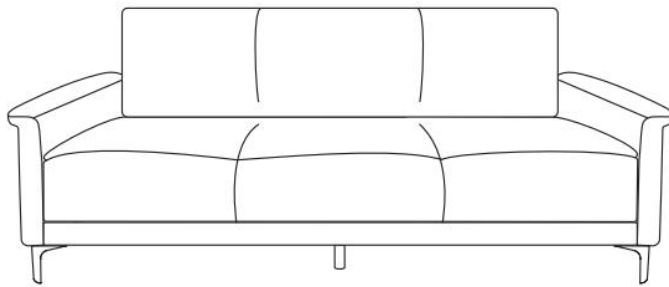


# DAWN

Thank you for purchasing **our SOFA**

Before you start, here are some helpful advice:

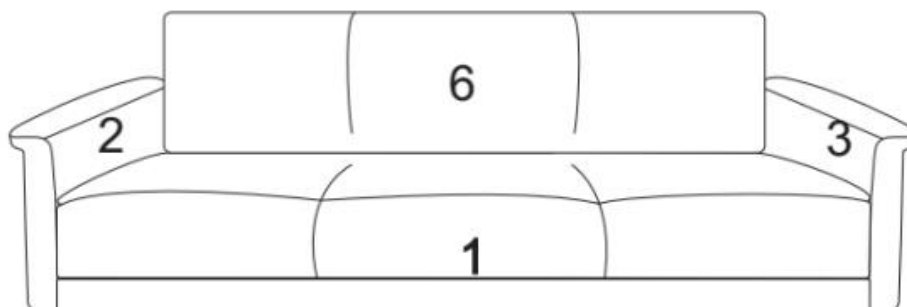
1. We suggest you spend a short time reading through this leaflet and then assemble the sofa follow the simple instructions step by step.
2. Owing to the size and the weight of the sofa,we recommend that it is assembled by two adults on a carpeted or padded area inside the house.Approximate assembly time:20 minutes.
3. Please do not use any tools other than those provided or recommended in these instructions.
4. Please do not throw away any of the packaging or the instruction until you have checked all the components and hardware and the furniture is fully assembled. Please ensure that the packaging is disposed of in a safe and environmentally friendly way.
5. Assemble all components loosely first,then according to the use situation to tighten the components as needed.So please save all the tools that have been provided.
6. Please keep all pieces away from children.
7. If you have any questions about the product: please send an email to our dedicated customer service email, and we will reply to your questions within 12 hours.



## Hardware:

A.		Bolt M8x30mm	x8
B.		Bolt M6x35mm	x8
C.		Flat Washer M8	x8
D.		Flat Washer M6	x8
E.		Allen Wrench M6	x1
F.		Bolt M4x25mm	x4

## Components:

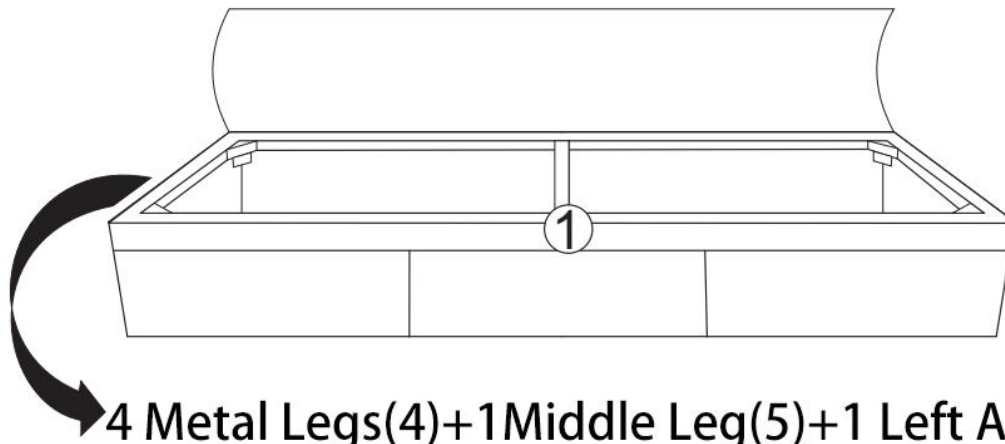


1.Sofa Seat	x1	2.Left Arm	x1	3.Right Arm	x1	4.Metal Leg	x4	5.Middle Leg	x1
6.Sofa Back	x1	7.Felt Pad	x1	8.Back Plate	x2				

# DAWN

## STEP 1:

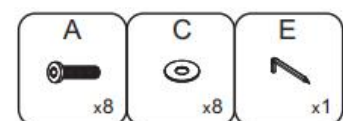
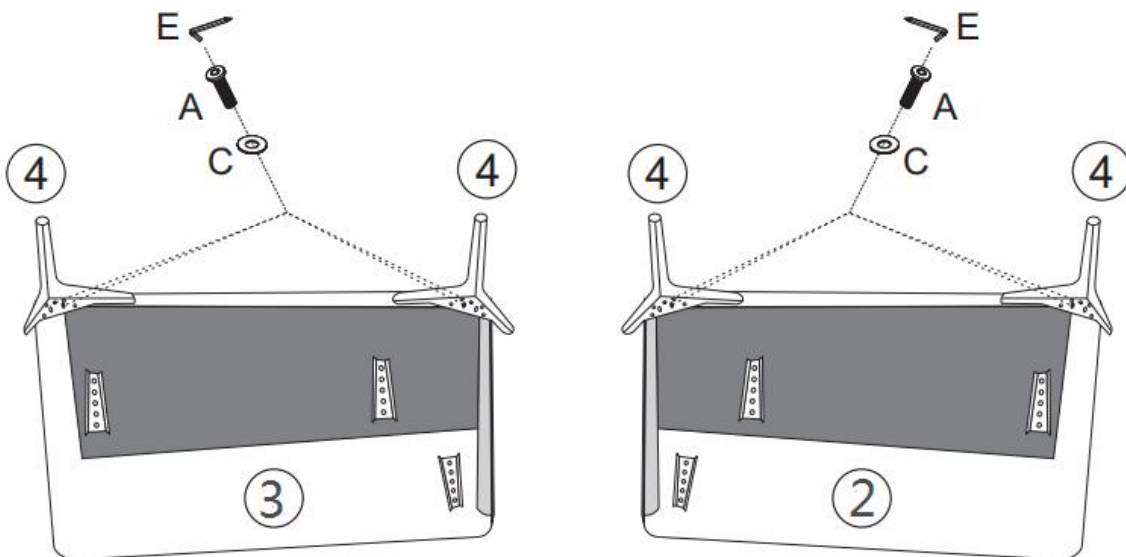
1. Please put **Sofa Seat (1)** upside down on a carpeted or padded surface.
2. Open the Velcro on the bottom of the **Sofa Seat (1)** and take out the 4 pieces of **Metal Legs(4)**, 1 piece of **Middle Leg(5)**, 1 piece of **Felt Pad(7)**, 1 piece of **Left Arm(2)**, 1 piece of **Right Arm(3)**, and **Hardware Package**.



**4 Metal Legs(4)+1 Middle Leg(5)+1 Left Arm(2)  
+1 Right Arm(3)+1 Felt Pad(7)+Hardware Package**

## STEP 2:

1. Tighten 4 pieces of **Metal Legs (4)** to the bottom of the **Left Arm(2)** and the **Right Arm(3)** by using 8 pieces of **Bolts(A)** and 8 pieces of **Flat Washer (C)**.
2. Use **Allen Wrench (E)** to tighten all **Bolts(A)**.

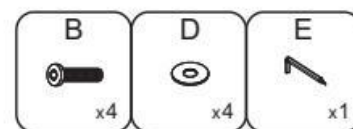
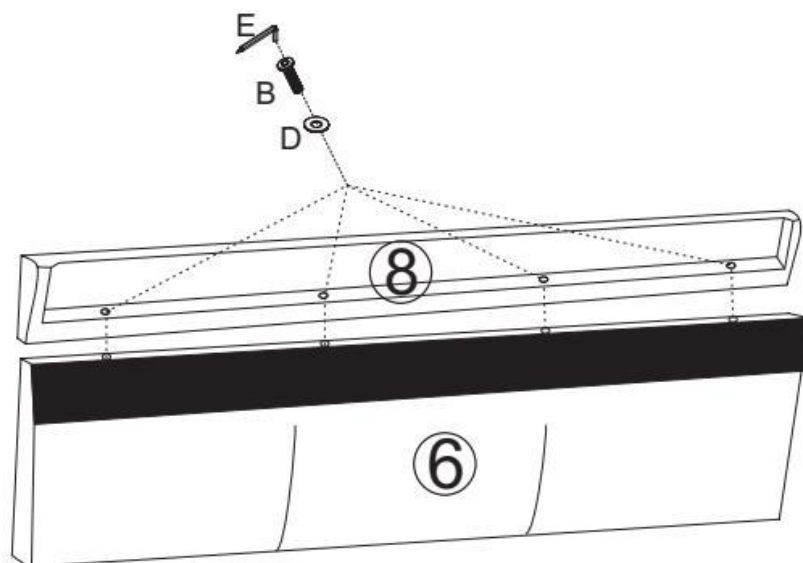


**Hardware & Tools Required**

## DAWN

### STEP 3:

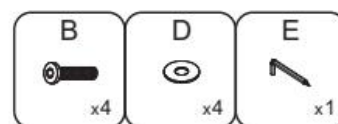
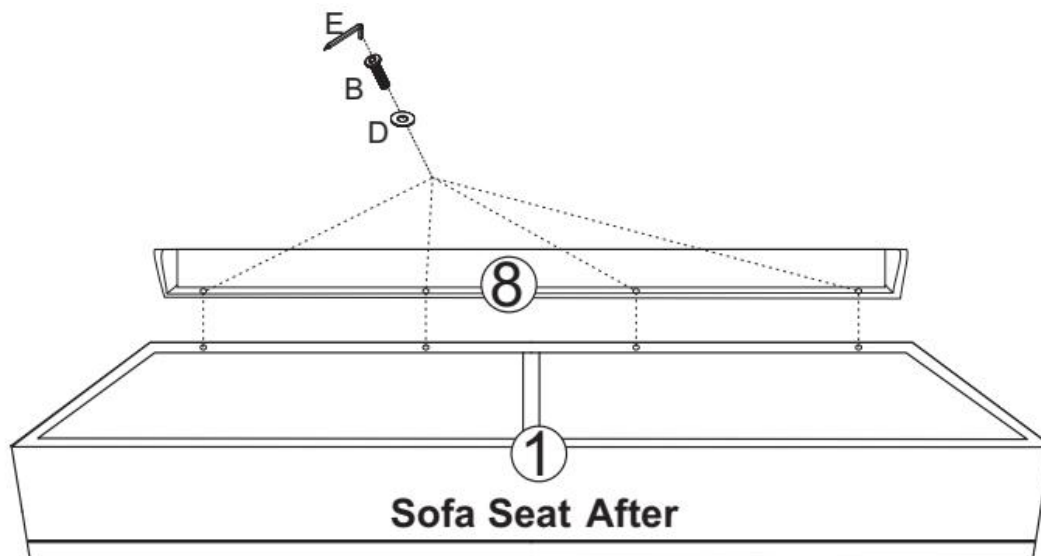
1. Put the **Back Plate(8)** to the bottom of the **Sofa Back(6)** by using 4 pieces of **Bolts(B)** and 4 pieces of **Flat Washer(D)** as shown in the figure.
2. Use **Allen Wrench(E)** to tighten all **Bolts(B)**.



Hardware & Tools Required

### STEP 4:

1. Put the **Back Plate(8)** to the bottom of the **Sofa Seat(1)** by using 4 pieces of **Bolts(B)** and 4 pieces of **Flat Washer(D)** as shown in the figure.
2. Use **Allen Wrench(E)** to tighten all **Bolts(B)**.

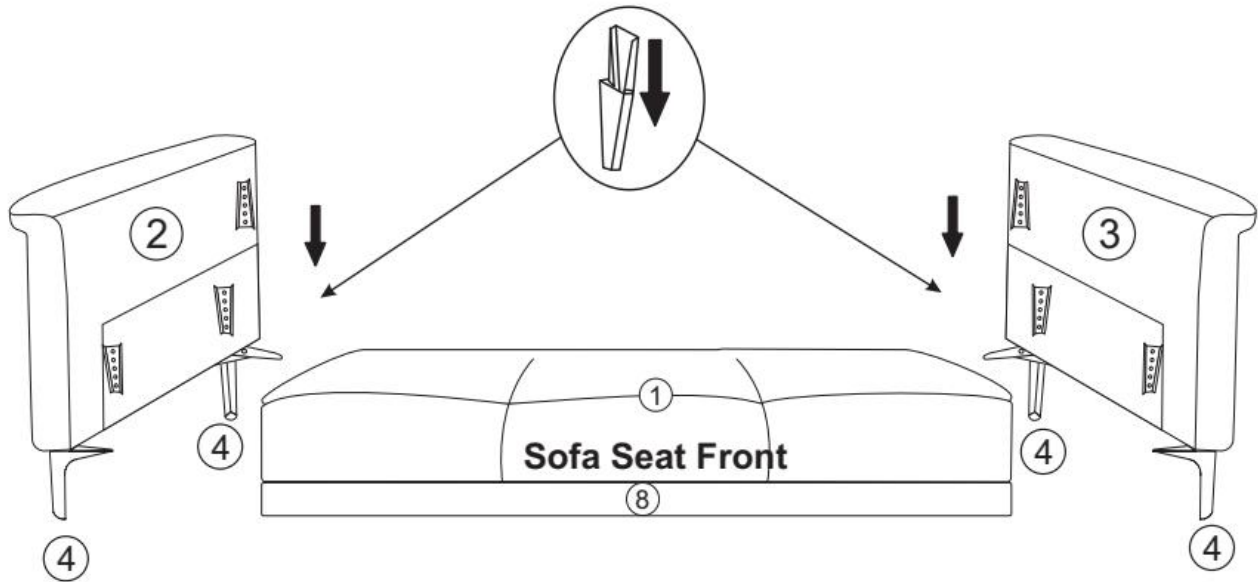


Hardware & Tools Required

## DAWN

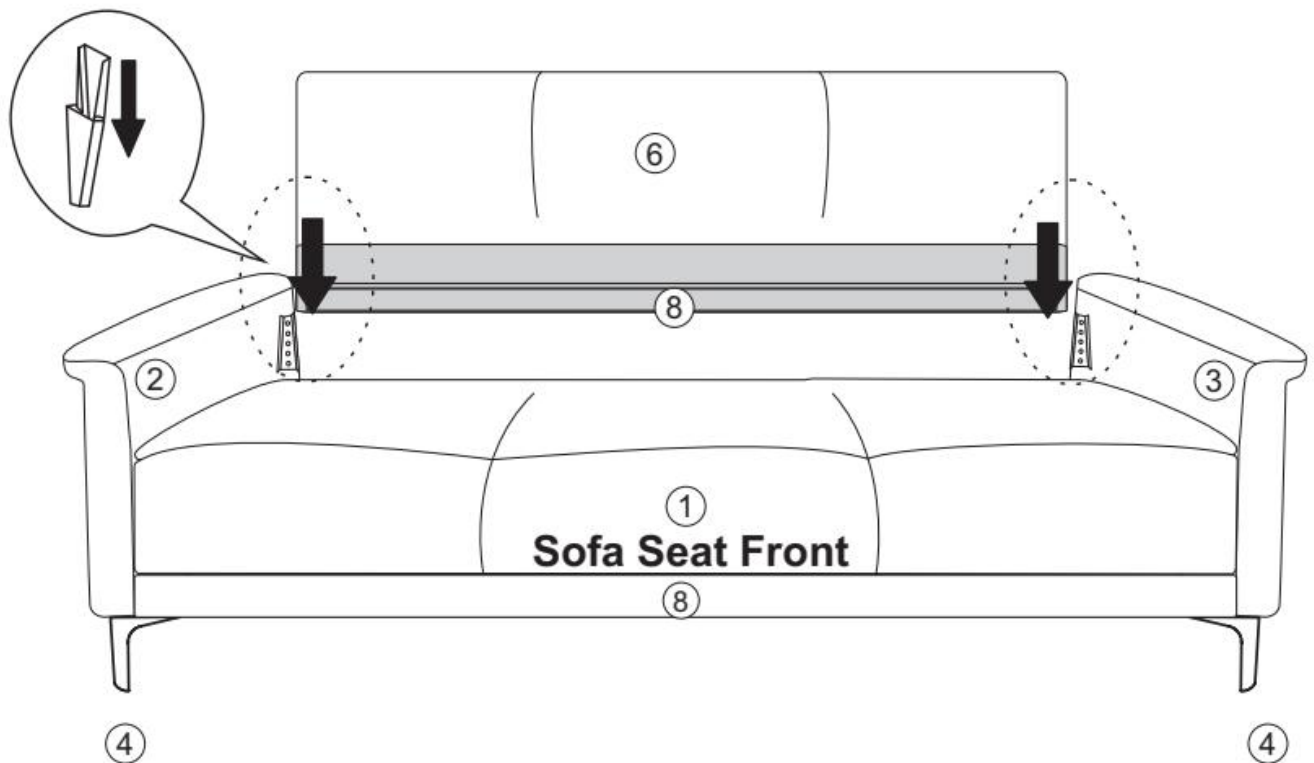
### STEP 5:

1. Please Carefully turn over **Sofa Seat(1)**.
2. Insert **Left Arm(2)** and **Right Arm(3)** to **Sofa Seat(1)** by using the pre-installed Clips on **Sofa Seat(1)**, **Left Arm(2)**, and **Right Arm(3)** to lock each other as shown.



### STEP 6:

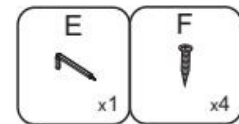
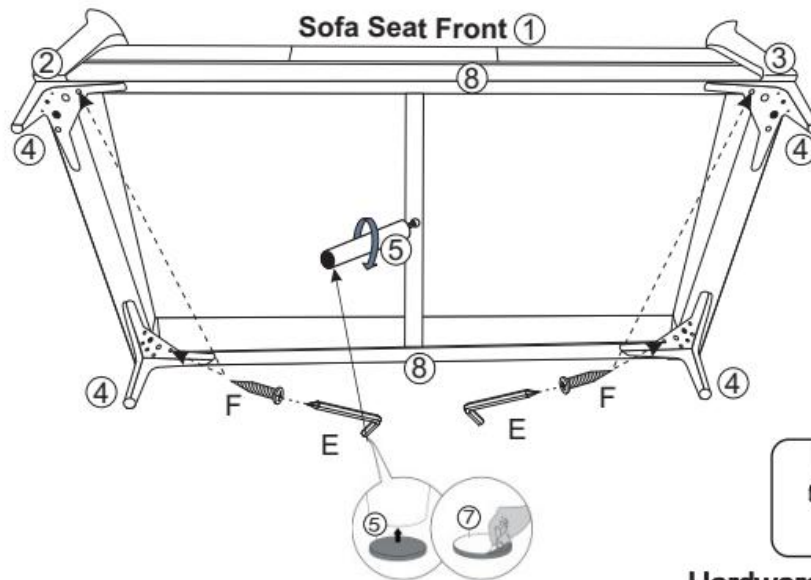
1. Insert **Sofa Back(6)** to **Left Arm(2)** and **Right Arm(3)** by using the Pre-installed Clips on **Left Arm(2)**, **Right Arm(3)**, and **Sofa Back(6)** to lock each other as shown.



# DAWN

## STEP 7:

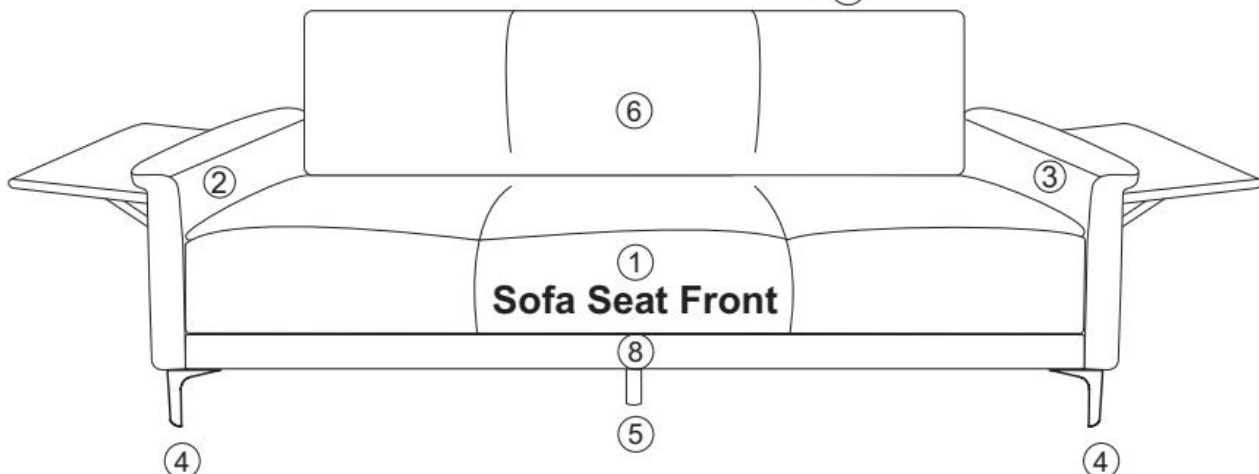
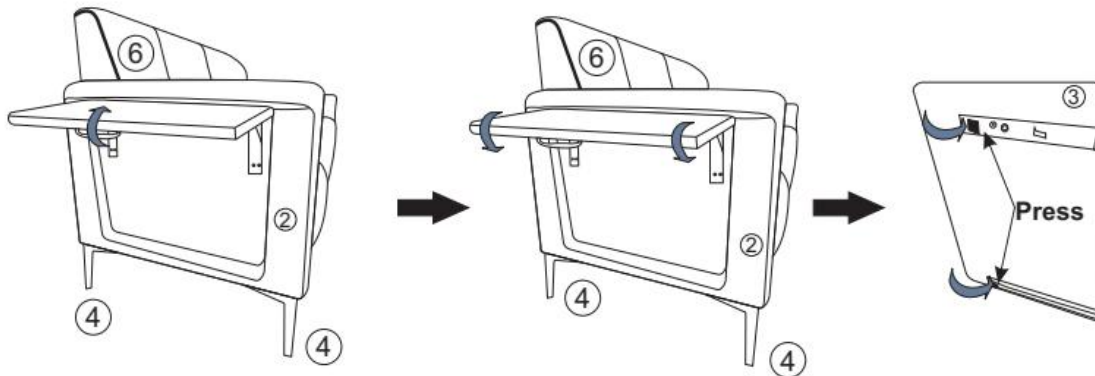
1. Tighten 4 pieces of **Bolts(F)** to the **Sofa Legs(4)** by using **Allen Wrench(E)**.
2. Tighten **Middle Leg(5)** to the bottom middle of the **Sofa Seat(1)** clockwise as shown in the figure by hand.
3. Attach 1 **Felt Pad(7)** to the bottom of the **Middle Leg(5)**.



### Hardware & Tools Required

## STEP 8

1. Pull out the string on the sideboard of the **Left Arm(2)** and **Right Arm(3)** to unfold the sideboard to be a small desk.
2. Press the Button inside the sideboard to close the small desk as shown in the figure.



Thank you for the assembly. The assembly is complete. Your sofa is ready to enjoy now.

