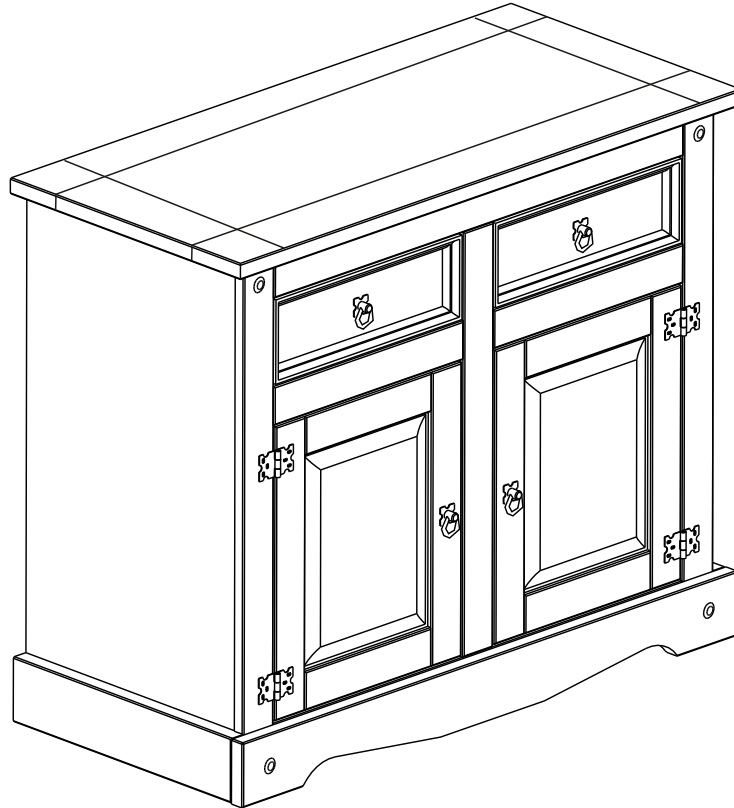


# 2 Door 2 Drawer Sideboard

## ASSEMBLY INSTRUCTIONS



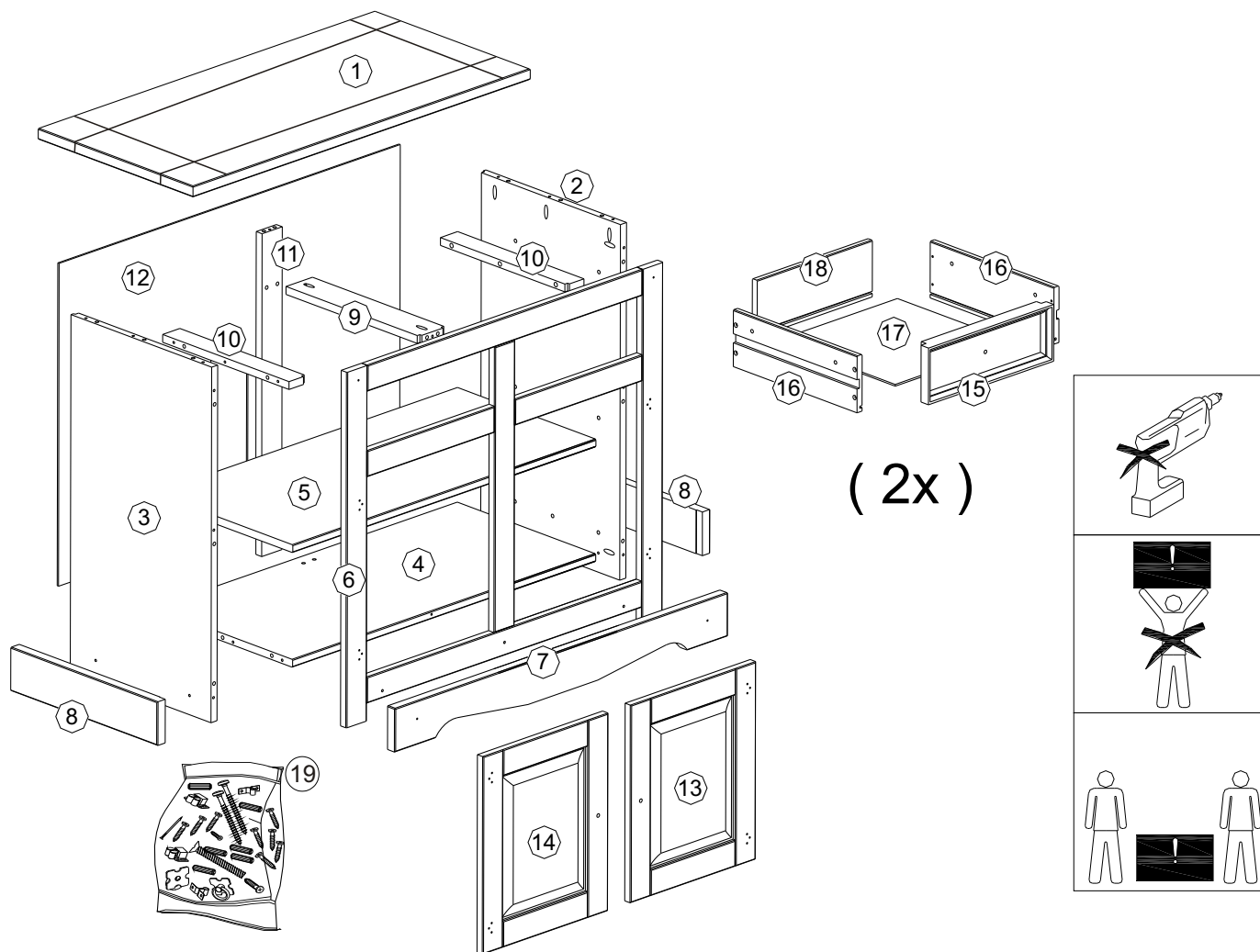
### IMPORTANT

PLEASE READ BEFORE YOU CONTINUE FURTHER

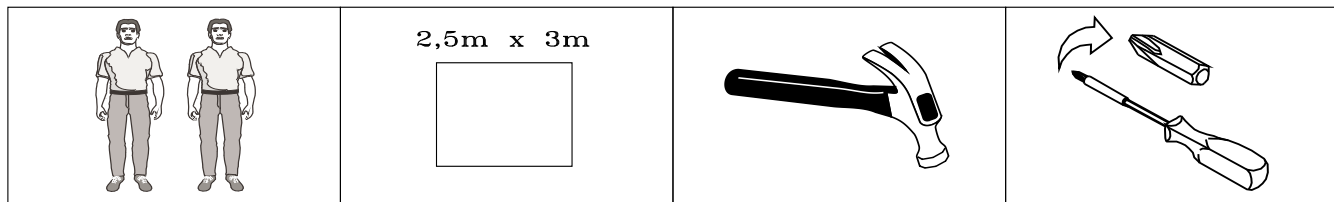
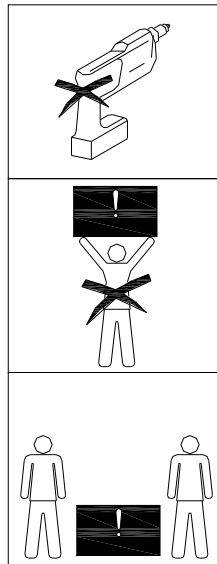
## CARE AND MAINTENANCE

After unpacking this product please keep the original packaging in case it needs to be returned for any reason.

- Please ensure all fittings and parts are present before commencing with assembly.
- We recommend that you lay a blanket or sheet on the floor to avoid damage to both your floor and the product.
- We strongly recommend that you keep children away from your work area.
- Assemble this product as close to its final position as possible.
- Never drag or push products as this could cause damage to the joints making it inferior.
- Do not place this product next to a radiator or in direct sunlight.
- Wood is a natural product and may expand if subjected to damp and may shrink or crack if subjected to heat. Therefore it is recommended that room temperature is maintained, with no sudden temperature fluctuations.
- Make sure any spillage is wiped off immediately.
- Do not place hot or chilled items directly on to the surface, use a place mat or marking will occur.
- For general cleaning use a duster, and do not use detergents of any kind. However, the surface will need to be retreated from time to time. This can be done by using block wax (unperfumed) and rubbing it over the whole item.
- From time to time it may be necessary to tighten fittings, regular inspections should be carried out.



( 2x )



1	Top panel	01
2	Right side panel	01
3	Left side panel	01
4	Base	01
5	Shelf	01
6	Front frame	01
7	Front plinth	01
8	Side plinth	02
9	Centre drawer runner	01

10	Side drawer runner	02
11	Back upright	01
12	Back panel	01
13	Right door	01
14	Left door	01
15	Drawer front	02
16	Drawer side	04
17	Drawer bottom	02
18	Drawer back	02
19	Hardware kit	01



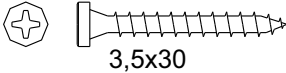
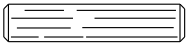
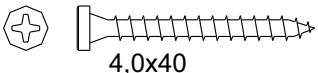
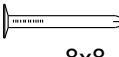
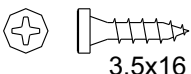
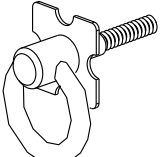
\* The use of power tools to assemble this product will invalidate any claim and may damage this product making it unsafe.

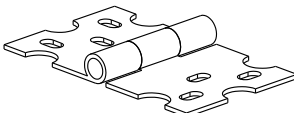
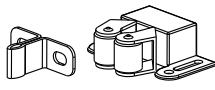
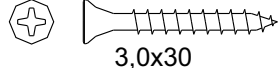
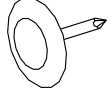
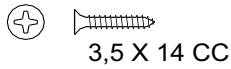
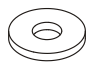
\* Please assemble on a clean soft surface to avoid damage.

# FITTINGS

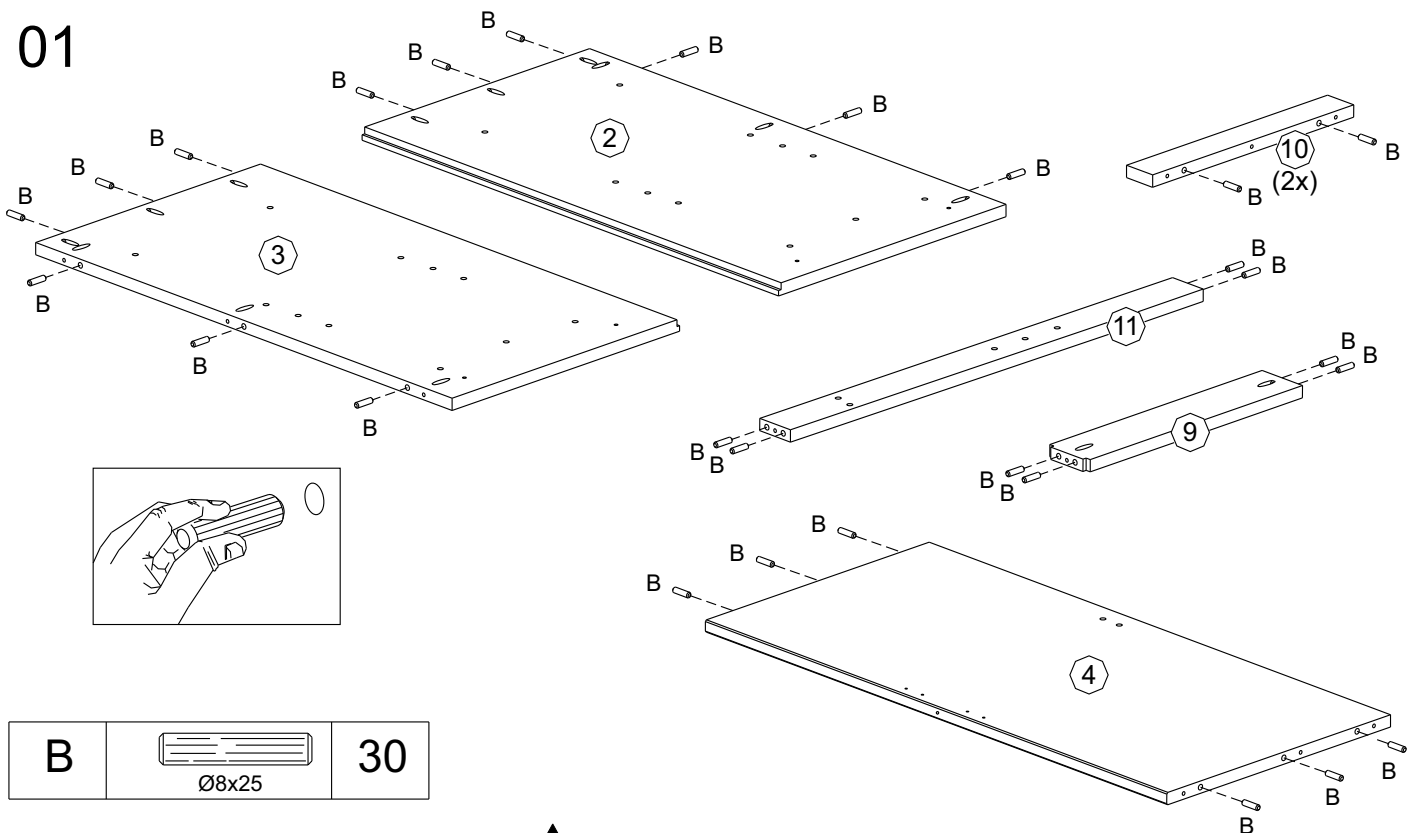


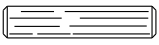
\* Please check contents and read the instructions before commencing assembly.  
 \* Assemble this product following the enclosed instructions carefully.  
 \* Please take care to avoid damaging panels during assembly.

A		30
B		40
C		06
D		30
E		24
F		04

G		04
H		02
I		16
J		04
K		08
L		04

01

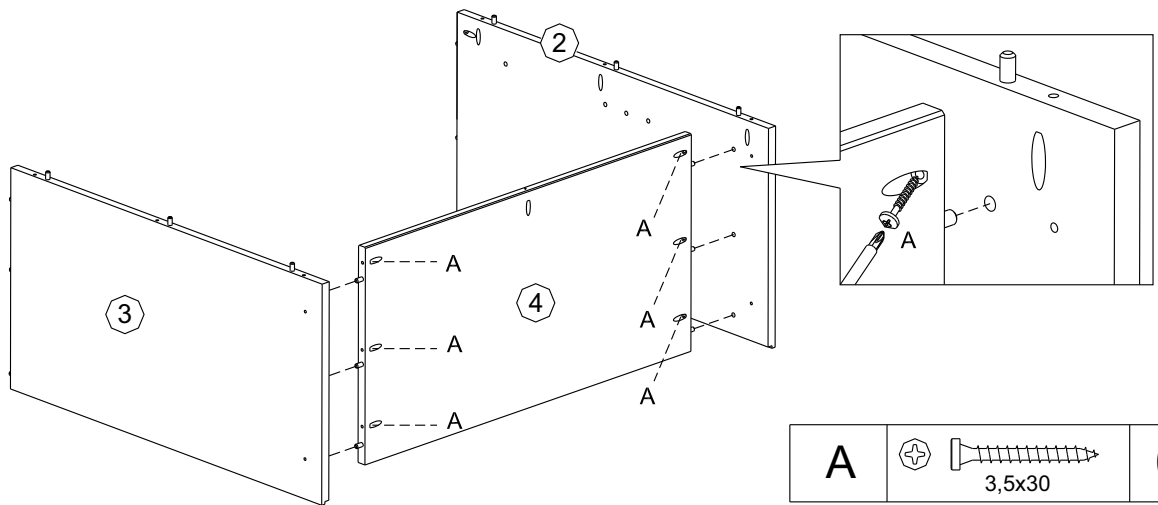


B		30
---	---	----

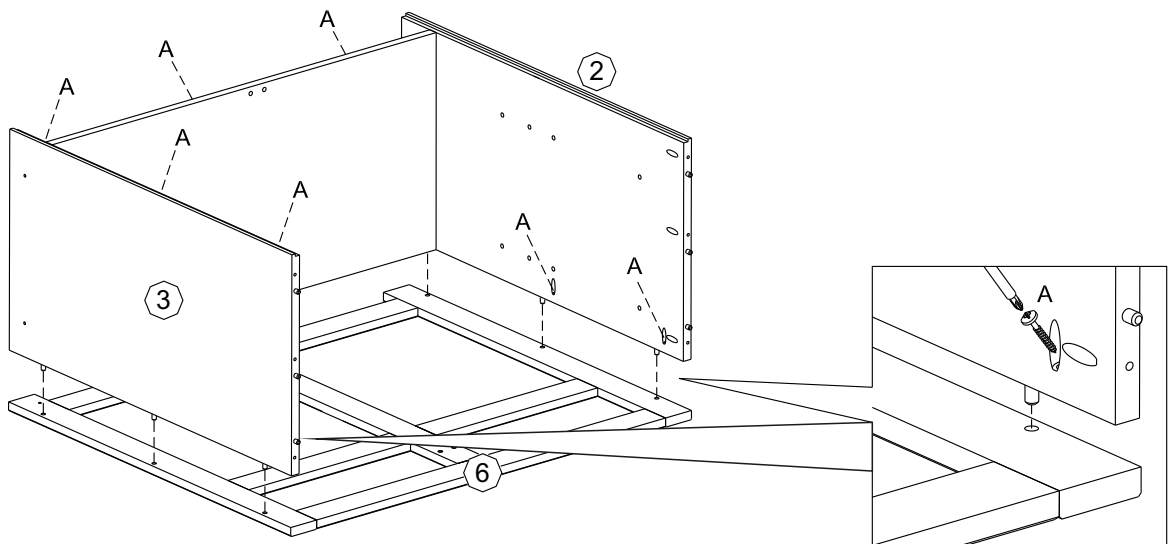


\* The use of power tools to assemble this product will invalidate any claim and may damage this product making it unsafe.  
 \* Please assemble on a clean soft surface to avoid damage.

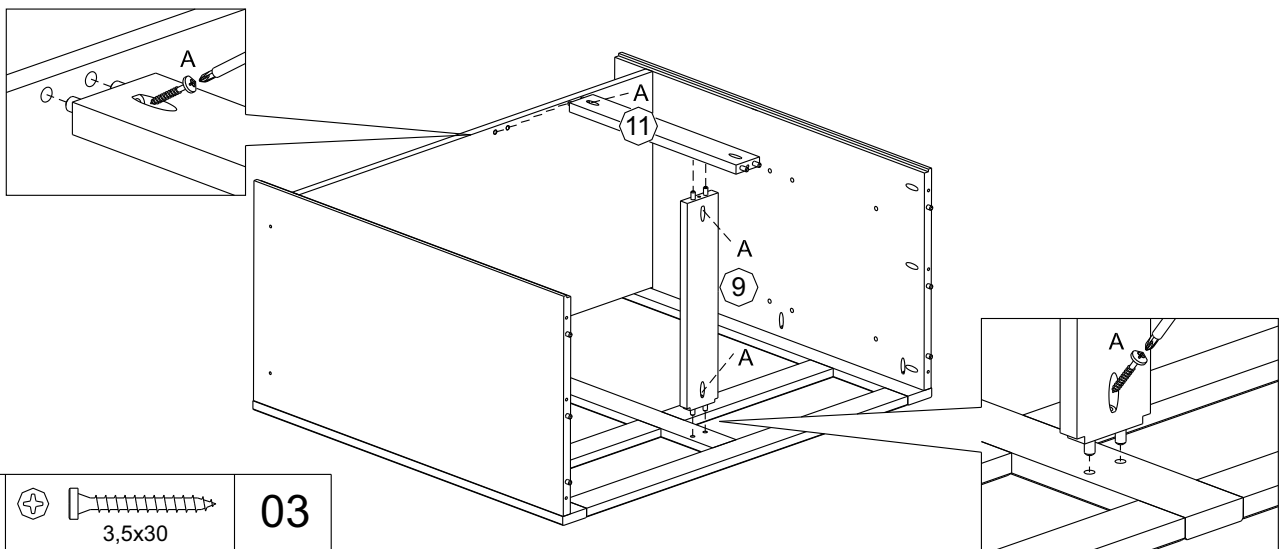
02



03

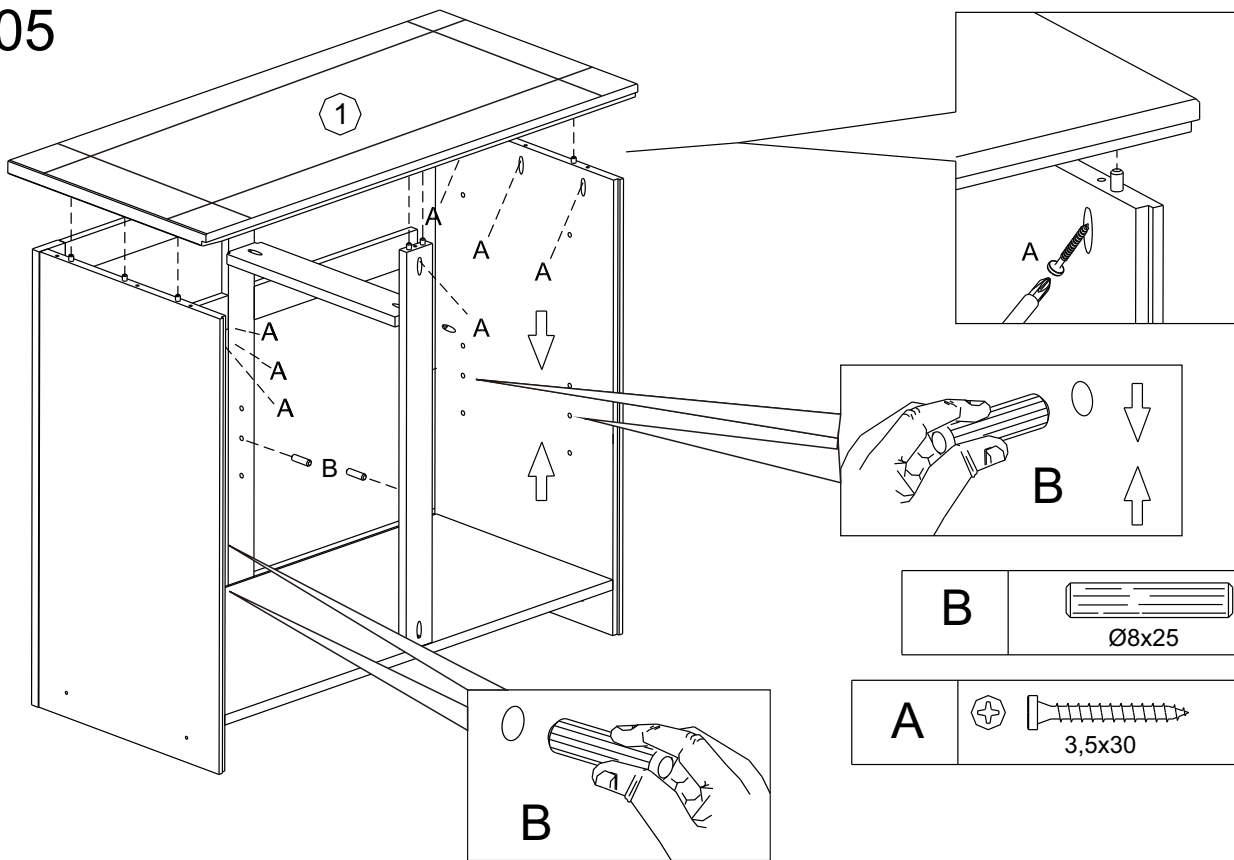


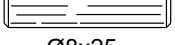
04

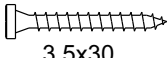


\*The use of power tools to assemble this product will invalidate any claim and may damage this product making it unsafe.  
\* Please assemble on a clean soft surface to avoid damage.

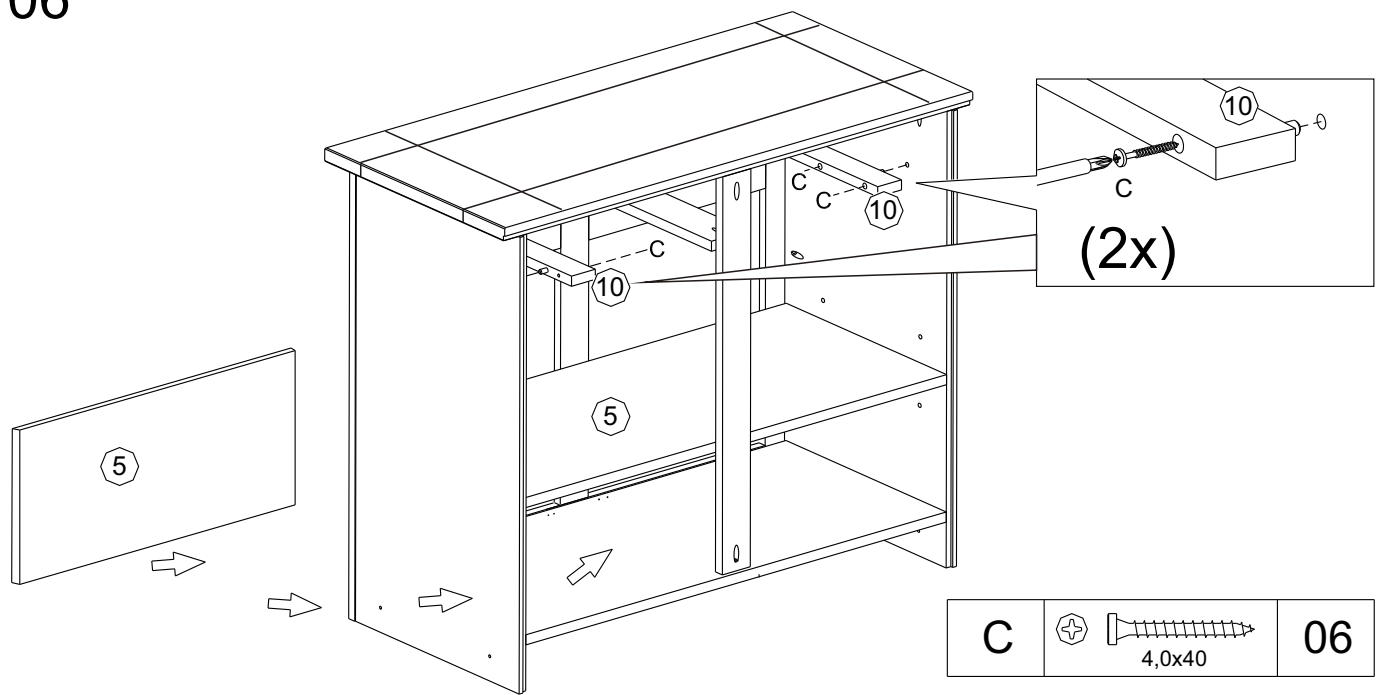
05

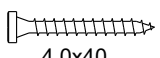


B		06
Ø8x25		

A		07
3,5x30		

06

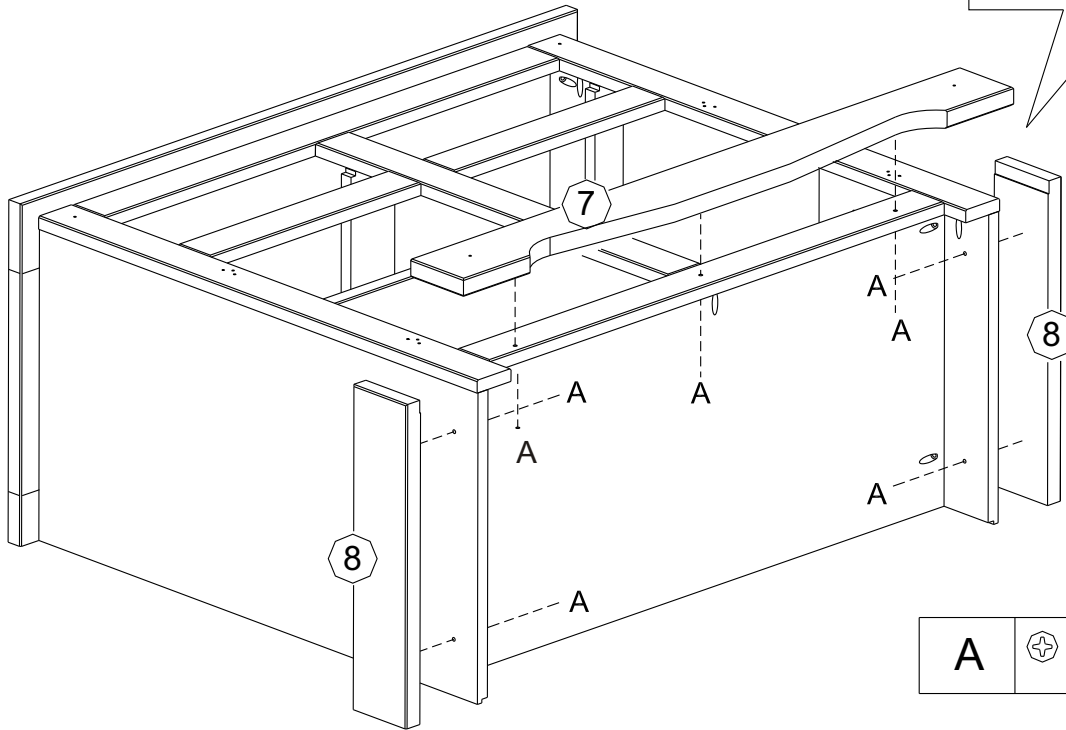



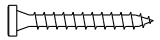
C		06
4,0x40		



\* The use of power tools to assemble this product will invalidate any claim and may damage this product making it unsafe.  
 \* Please assemble on a clean soft surface to avoid damage.

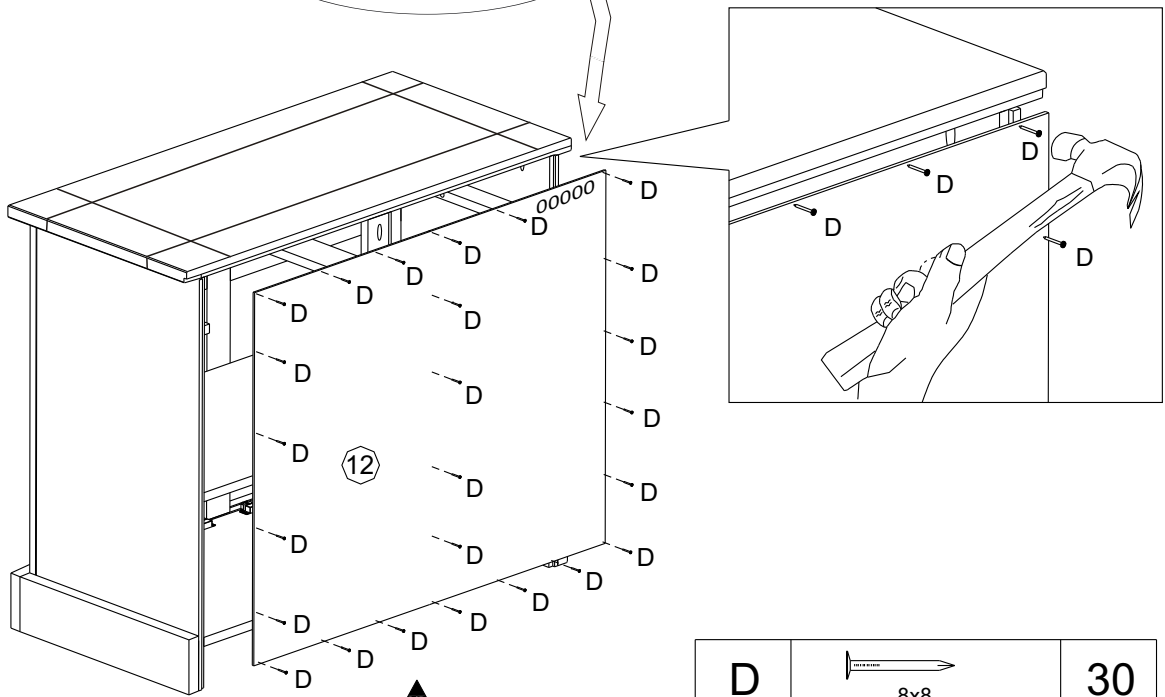
07

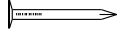


A			07
		3,5x30	

08

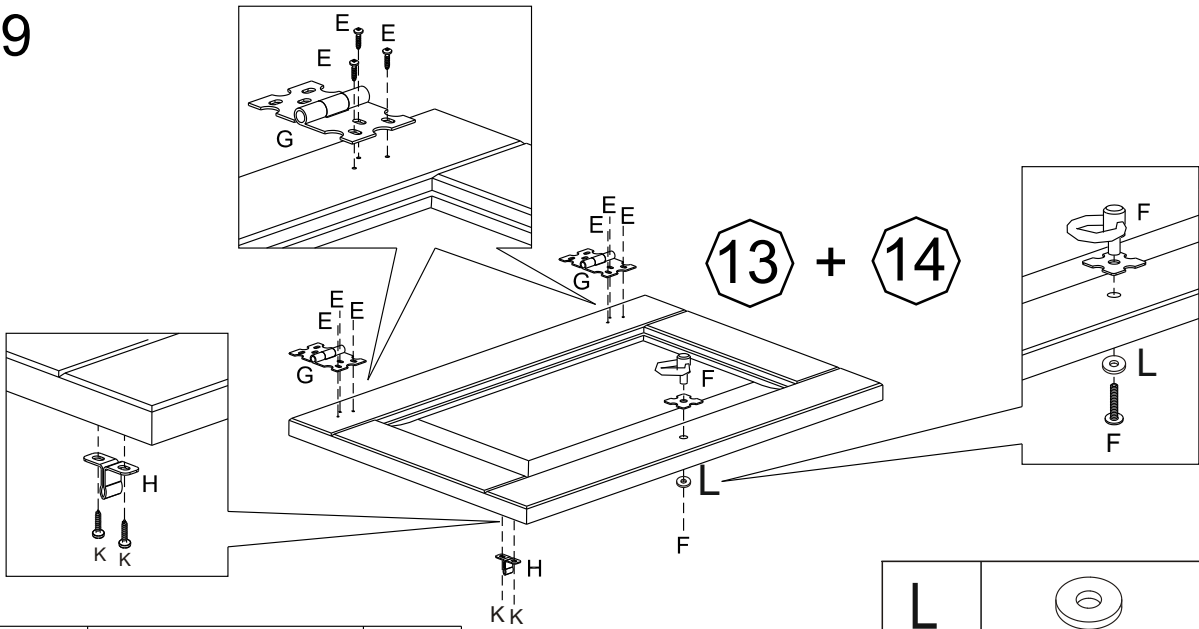
\* For your future reference  
Order Number should be here


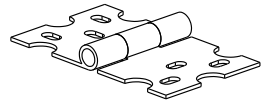



D		30
	8x8	

\* The use of power tools to assemble this product will invalidate any claim and may damage this product making it unsafe.  
\* Please assemble on a clean soft surface to avoid damage.


09

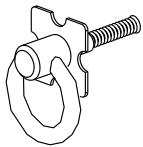


E	 3,5x16	12
G		04

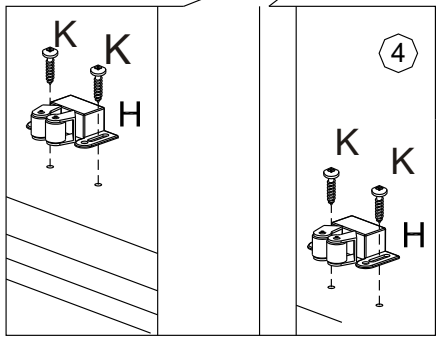
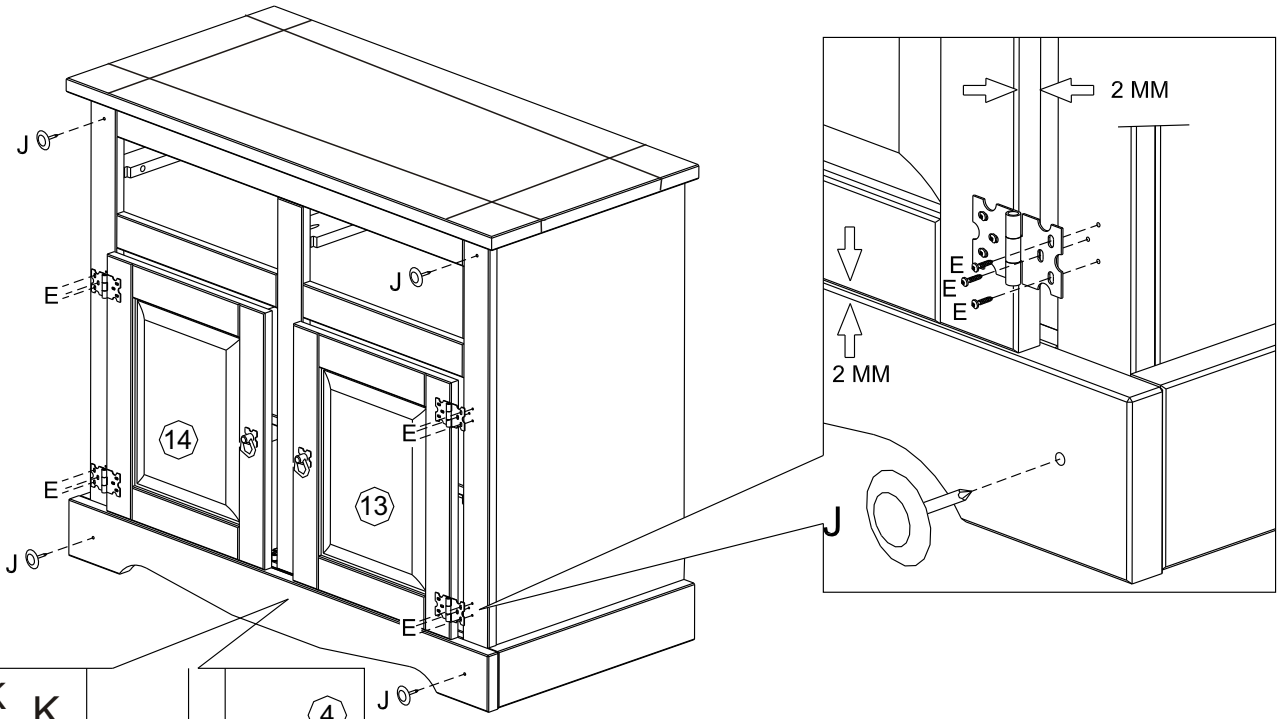
K	 3,5 X 14 CC	04
---	---	----


H		02
---	---	----


L		02
---	---	----

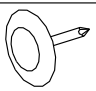
F		02
---	---	----

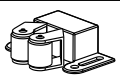
10



K	 3,5 X 14 CC	04
---	---	----

E	 3,5x16	12
---	--	----

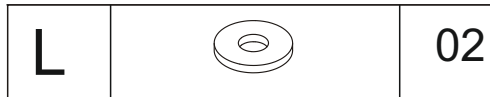
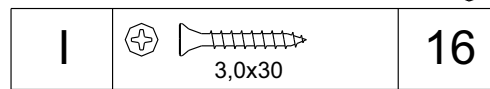
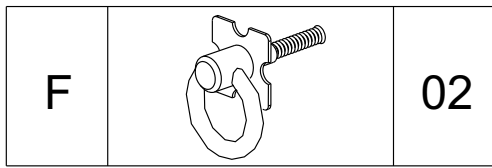
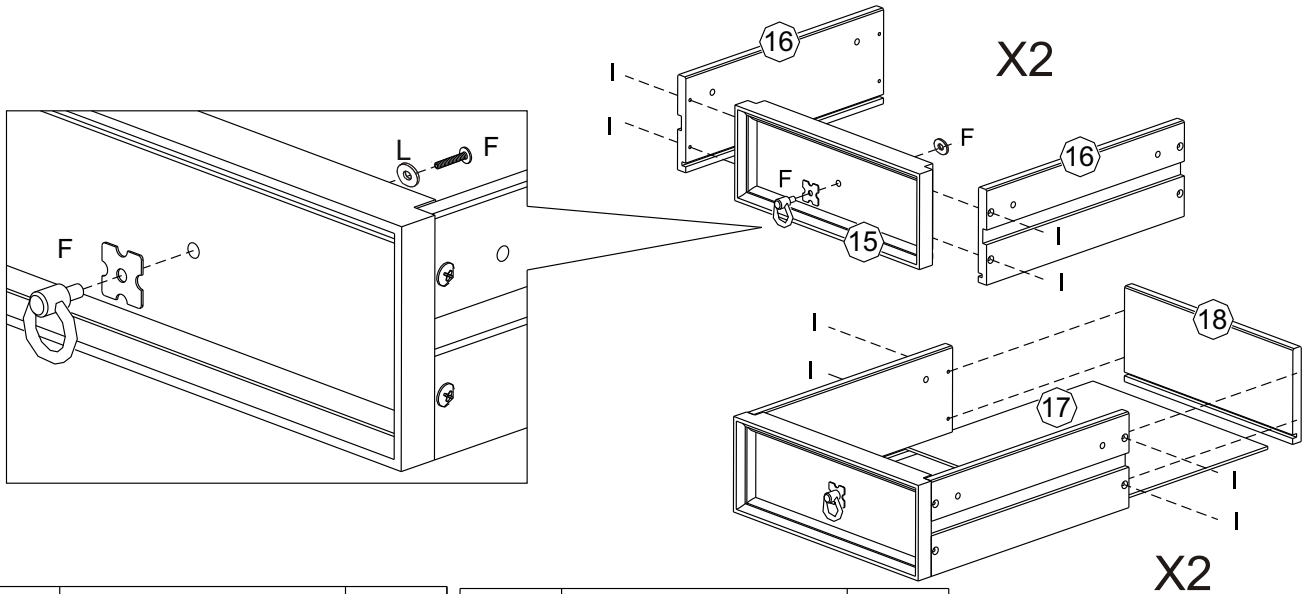
J		04
---	---	----

H		02
---	---	----

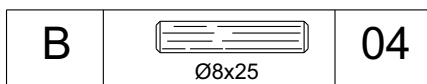
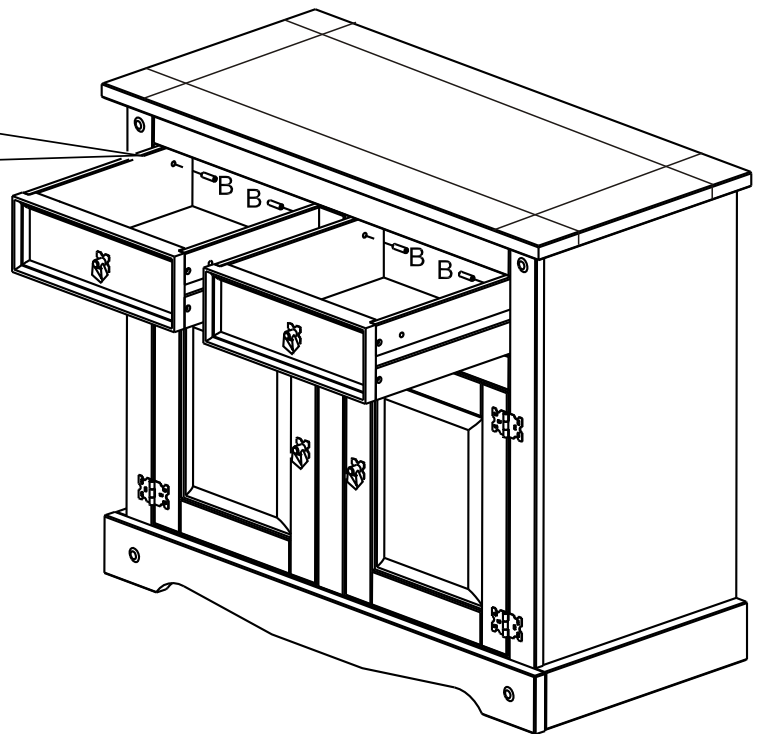
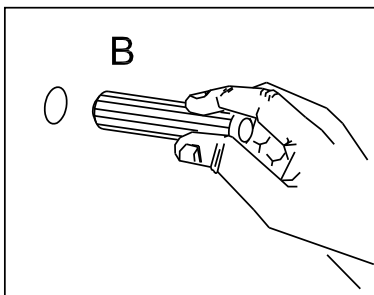


\* The use of power tools to assemble this product will invalidate any claim and may damage this product making it unsafe.  
 \* Please assemble on a clean soft surface to avoid damage.

11



12



\* The use of power tools to assemble this product will invalidate any claim and may damage this product making it unsafe.

\* Please assemble on a clean soft surface to avoid damage.