

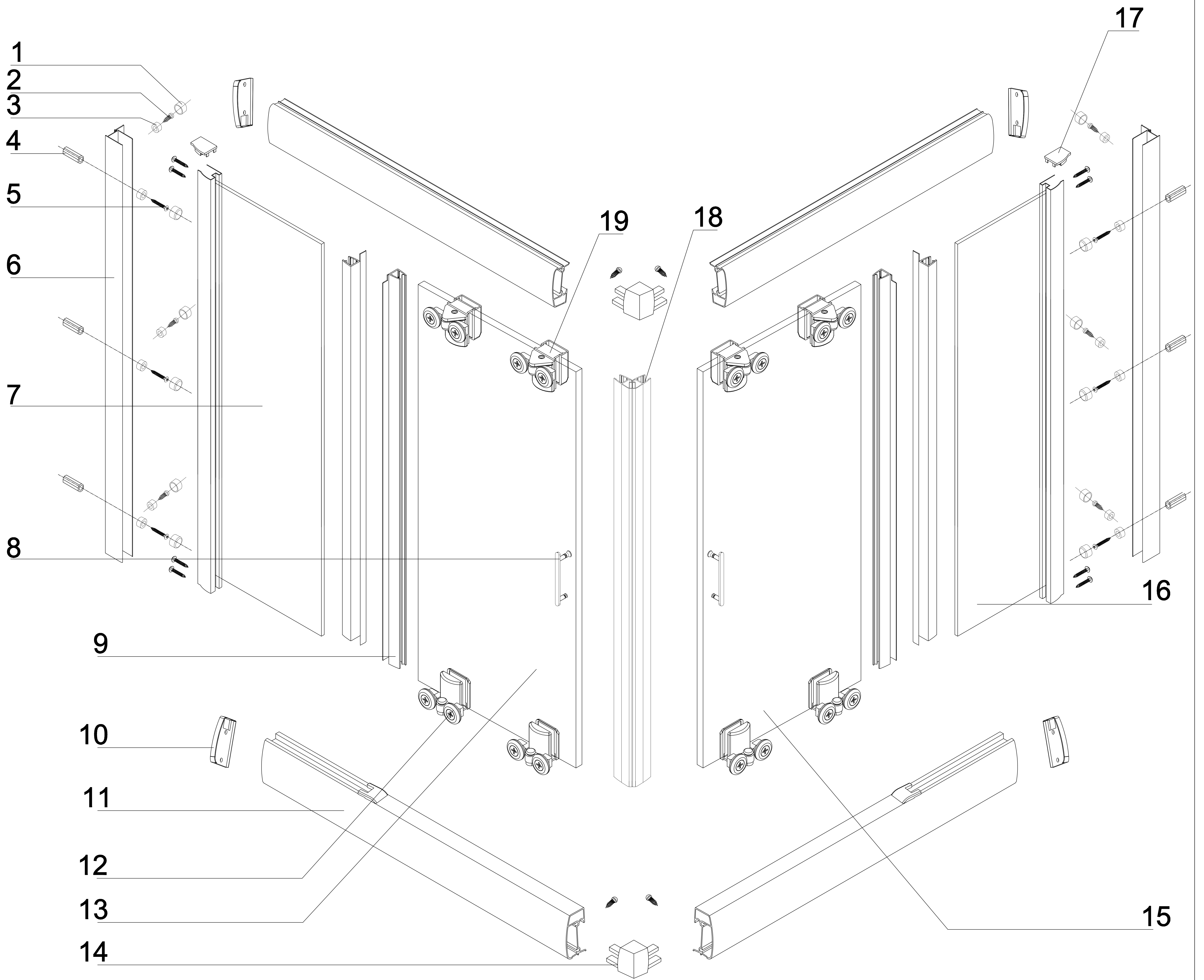


Customer Support: 1-877-897-1222
After-sale service: felyl@outlook.com
Hours of Operation: M-F 9 AM-5:00PM

Scan for
instruction video

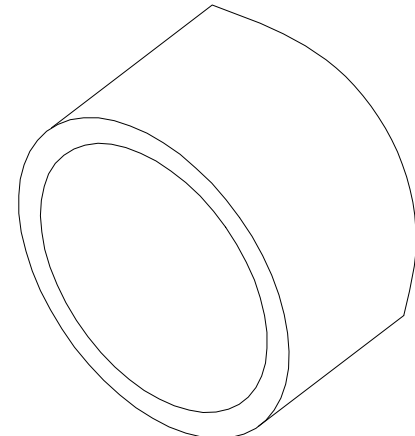
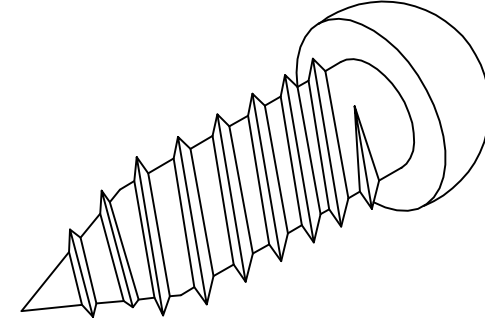
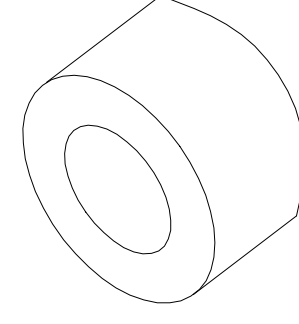
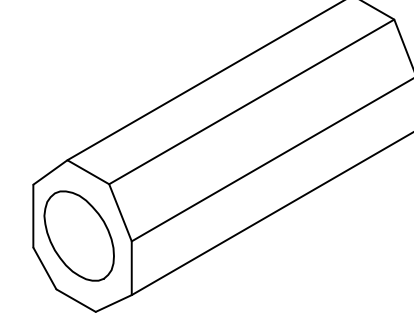
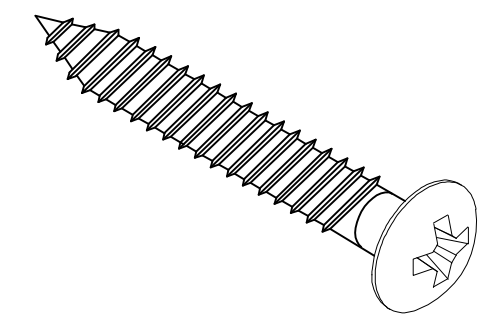
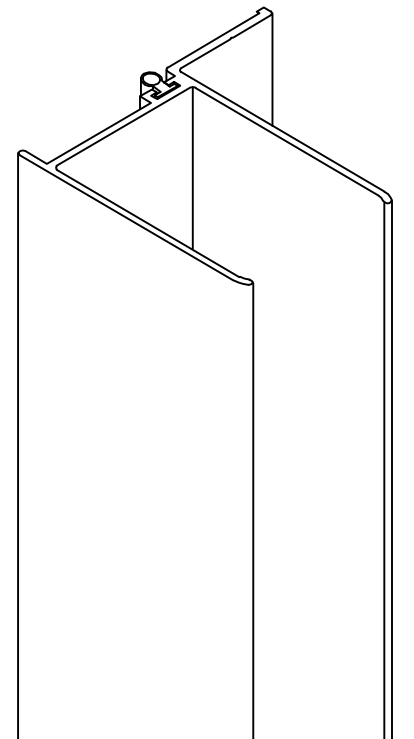
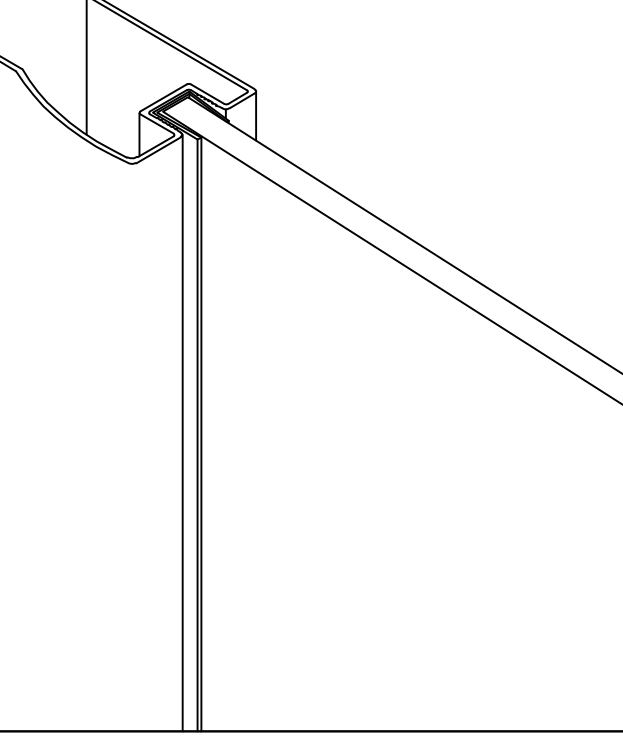
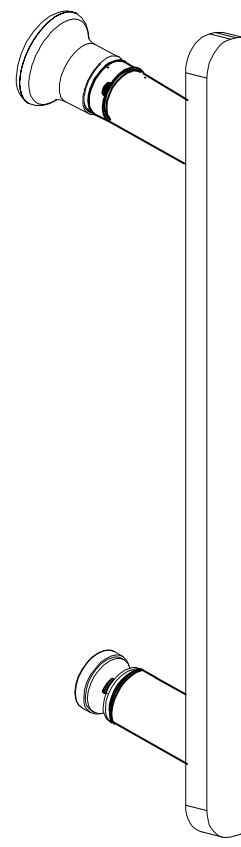
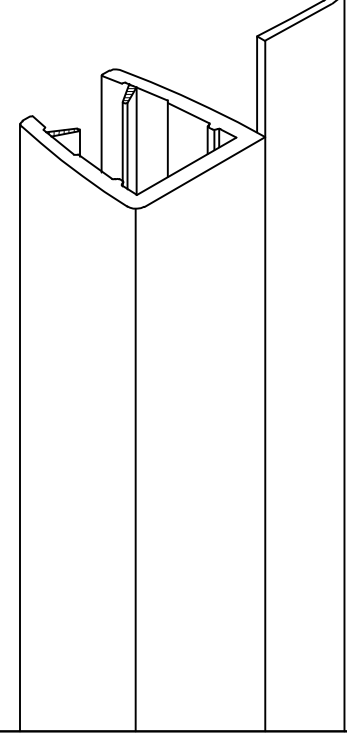
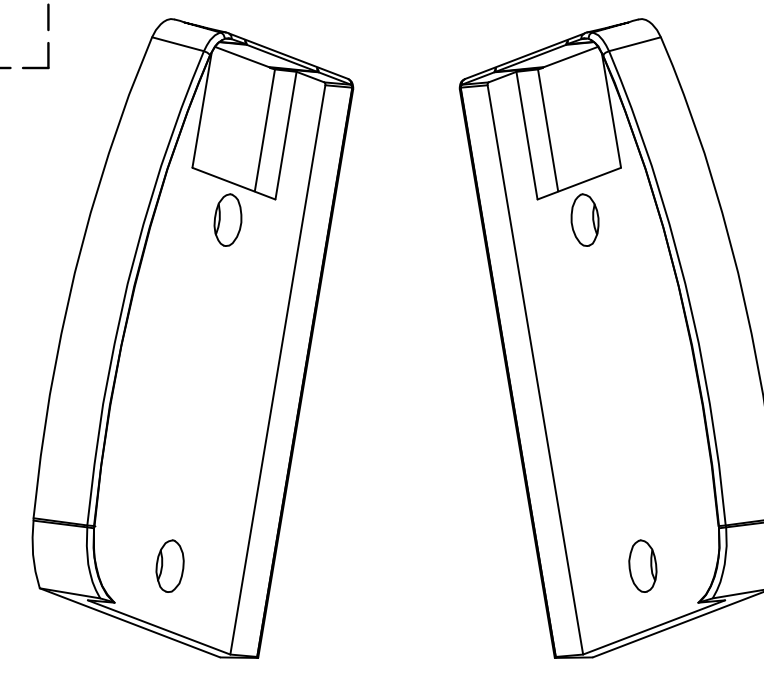
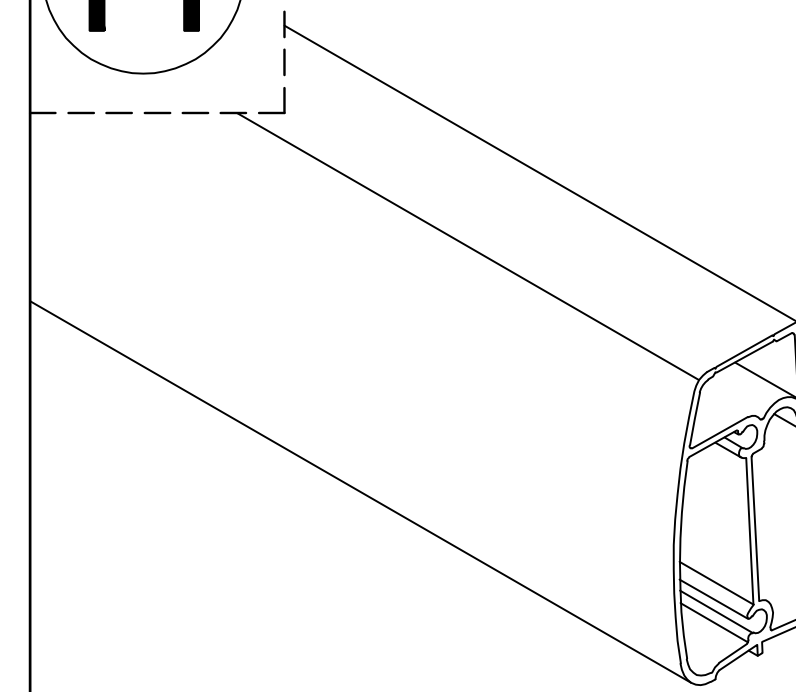
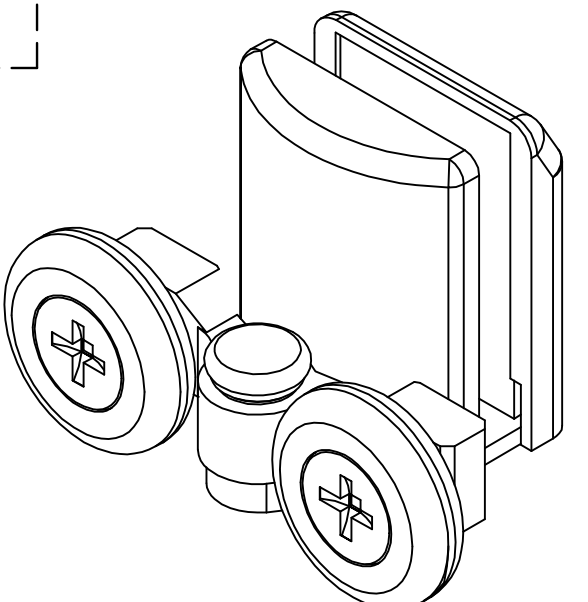
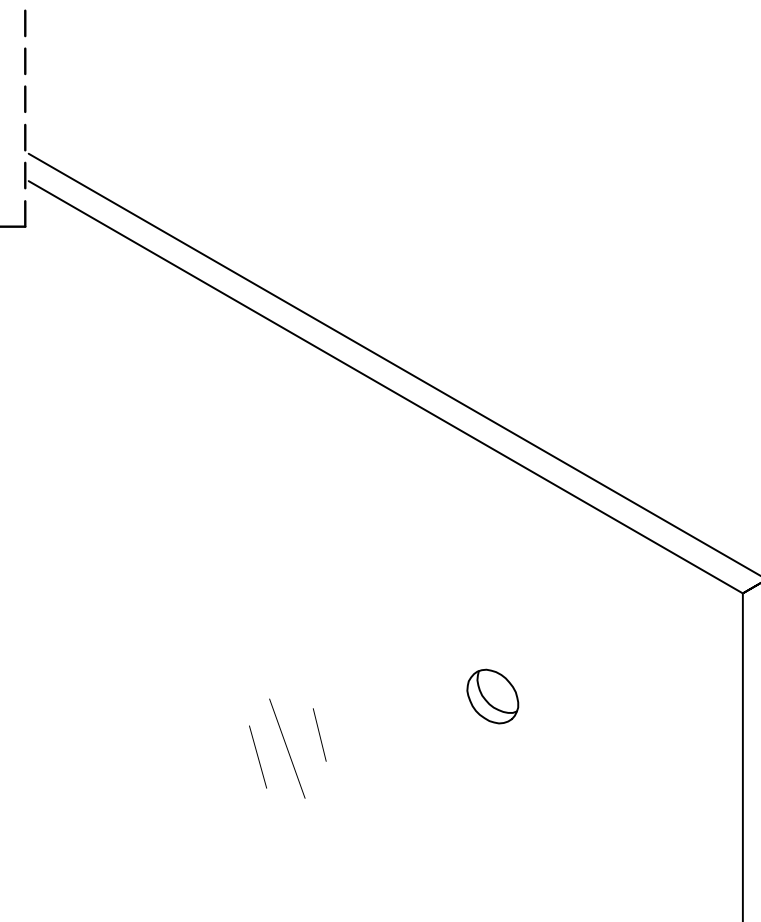
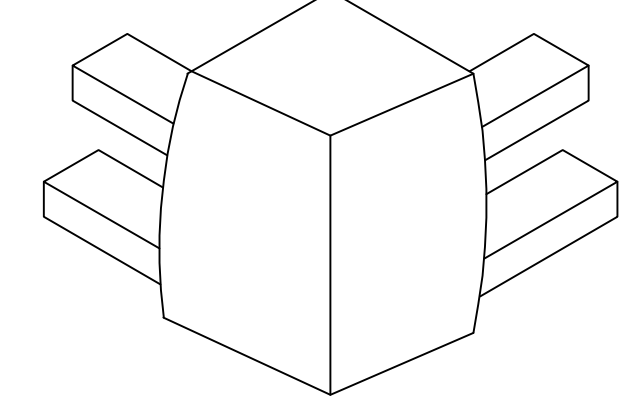
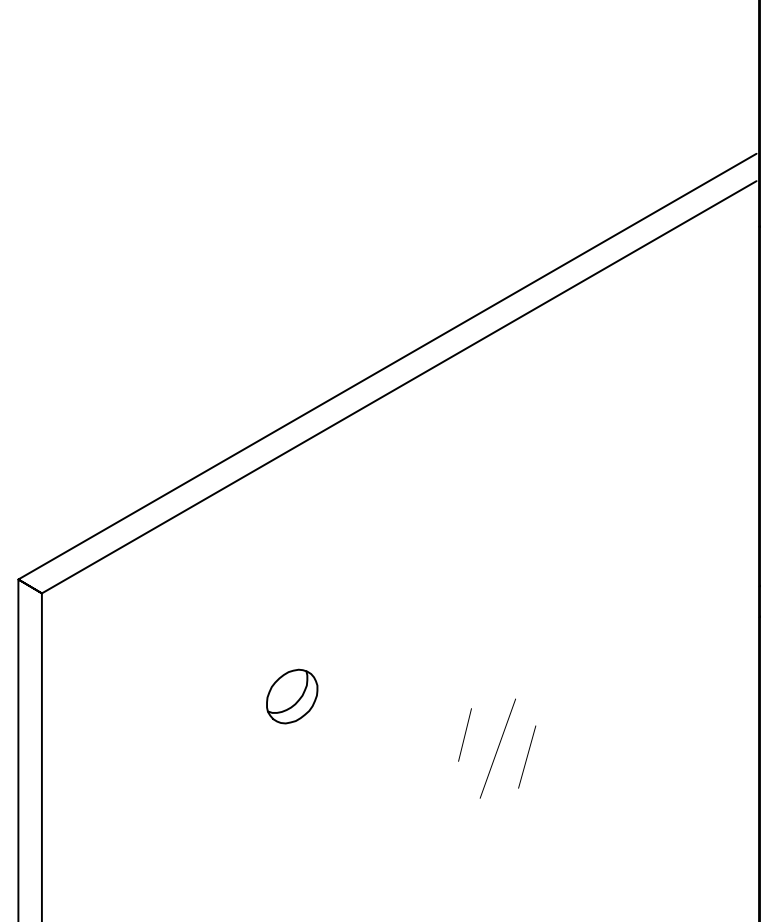
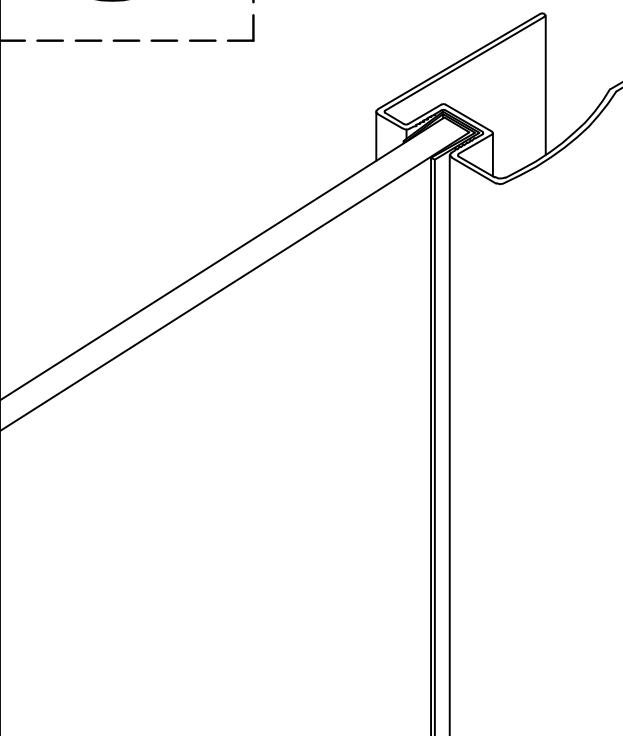
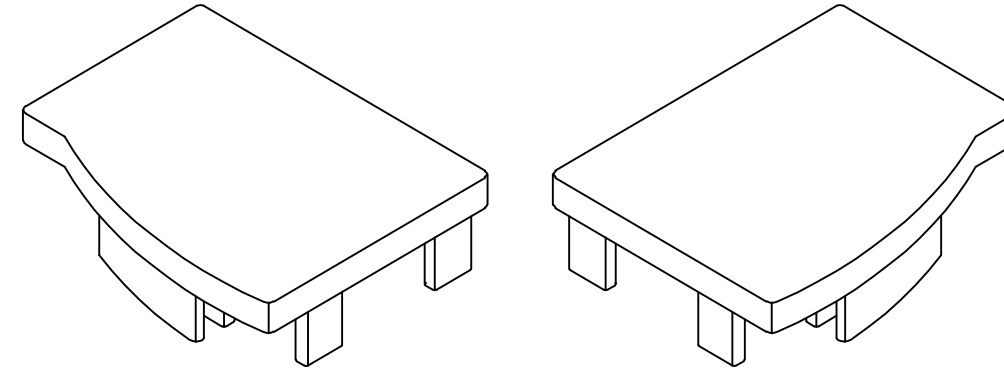
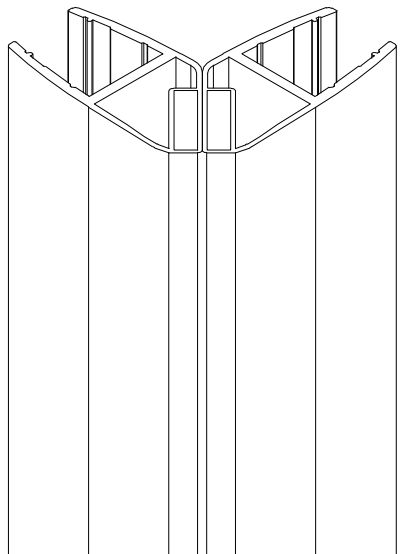
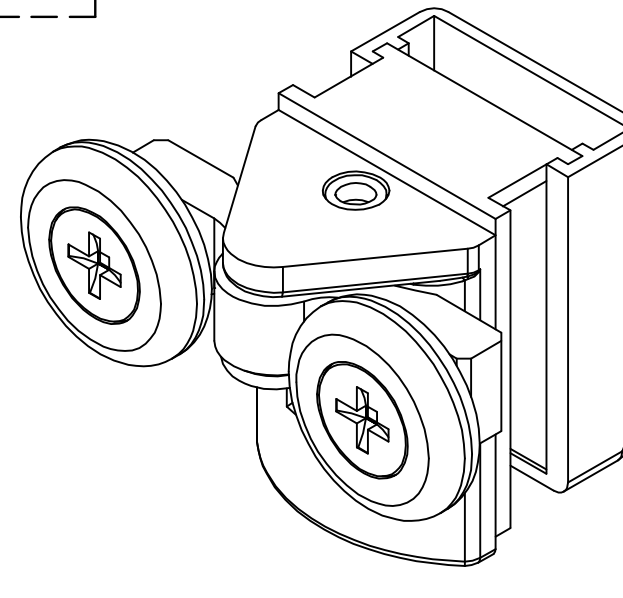


Detailed Diagram

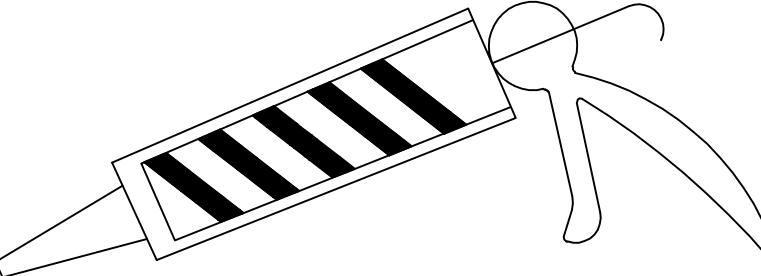
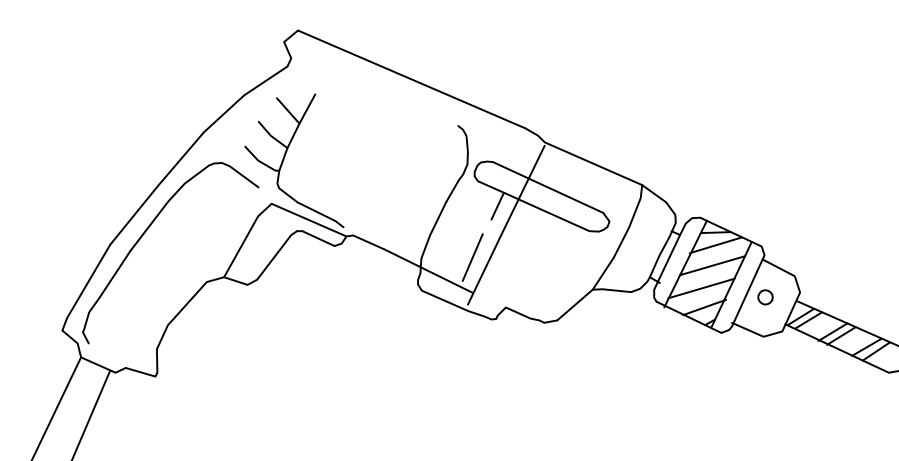
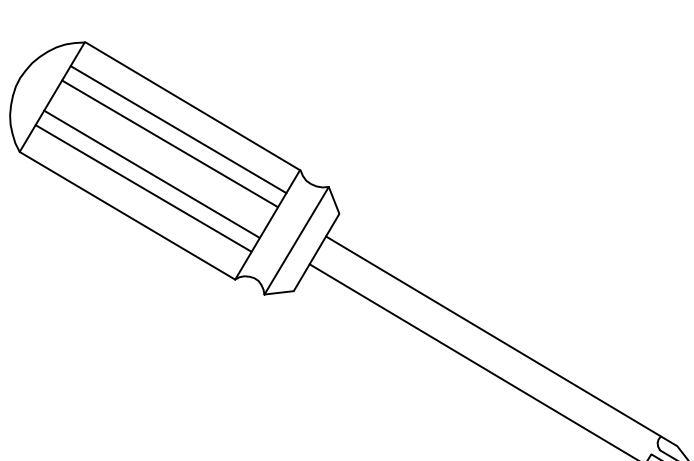
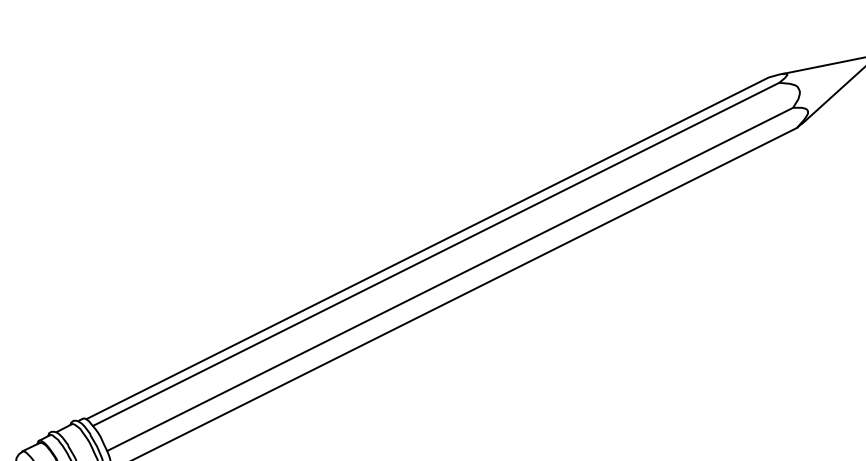
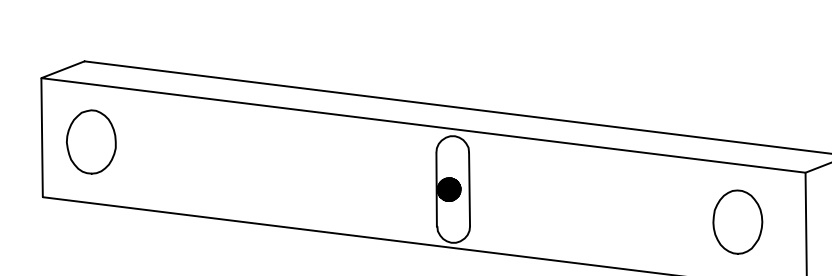
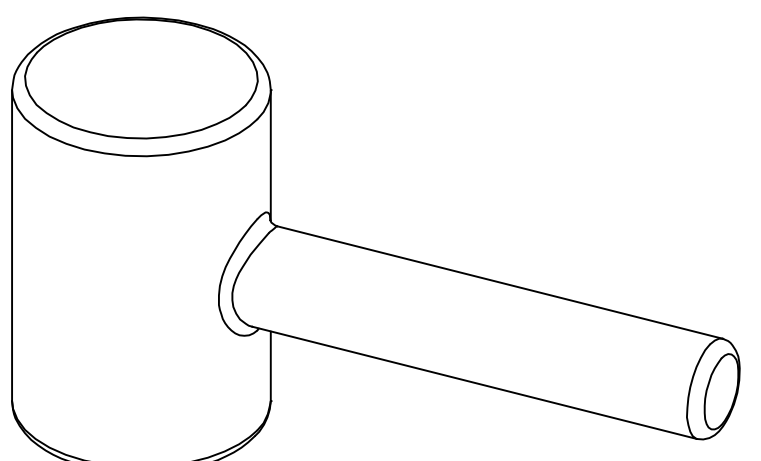
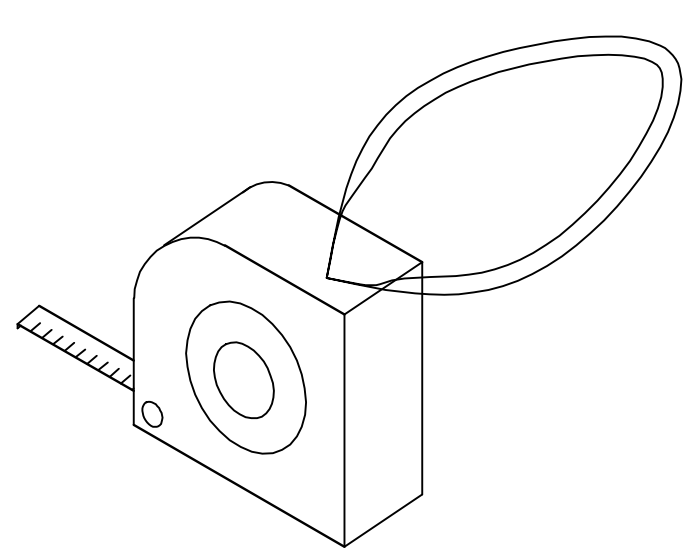
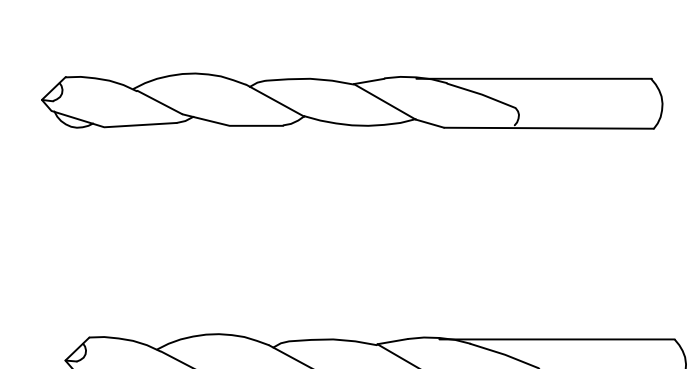
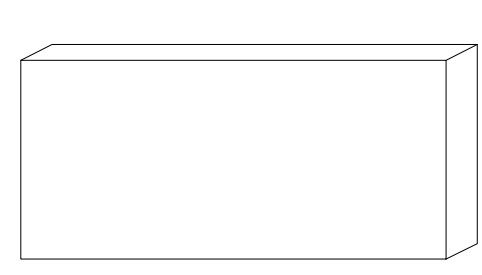
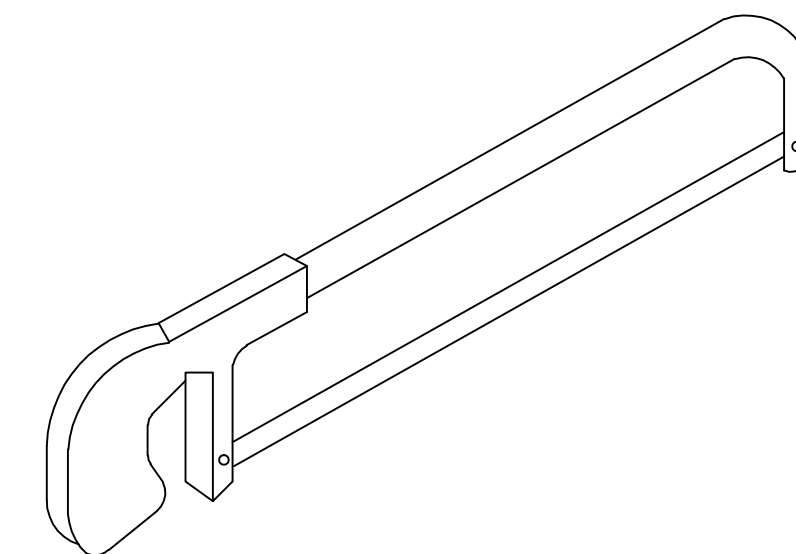




PART LIST

Check all parts according to the list before assembly . Feel free to contact with us if you need assistance .

1 	2 	3 	4 	5 	6 
Screw cap(12PCS)	Self-tapping screw 4*12(10PCS)	Washer(12PCS)	Wall anchor 6*28(6PCS)	Self-tapping screw 4*30(14PCS)	Wall-mounted bracket(2PCS)
7 	8 	9 	10 	11 	12 
Left fixed panel (1PC)	Handle(2PC)	Water retaining strip(4PCS)	(Left / Right) Side track cap(4PCS)	Shower door track(4PCS)	Bottom roller assembly(4PCS)
13 	14 	15 	16 	17 	18 
Left movable door(1PC)	Conner Joint(2PC)	Right movable door(1PC)	Right fixed panel (1PC)	(Left / Right) Wall bracket cover(2PCS)	Magnetic strip(2 pcs)
19 					
Top roller assembly(4PCS)					

Recommended Tools

					
Silicone	Drill	Philips Screw Driver	Pencil	Level	Rubber Mallet
					
Tape Measure	Ø1/4"&1/8"Drill Bit	Wooden Jam	Hacksaw	Safety Glass	Safety Gloves

Utilize Safety Glasses and Safety Gloves when constructing this shower door



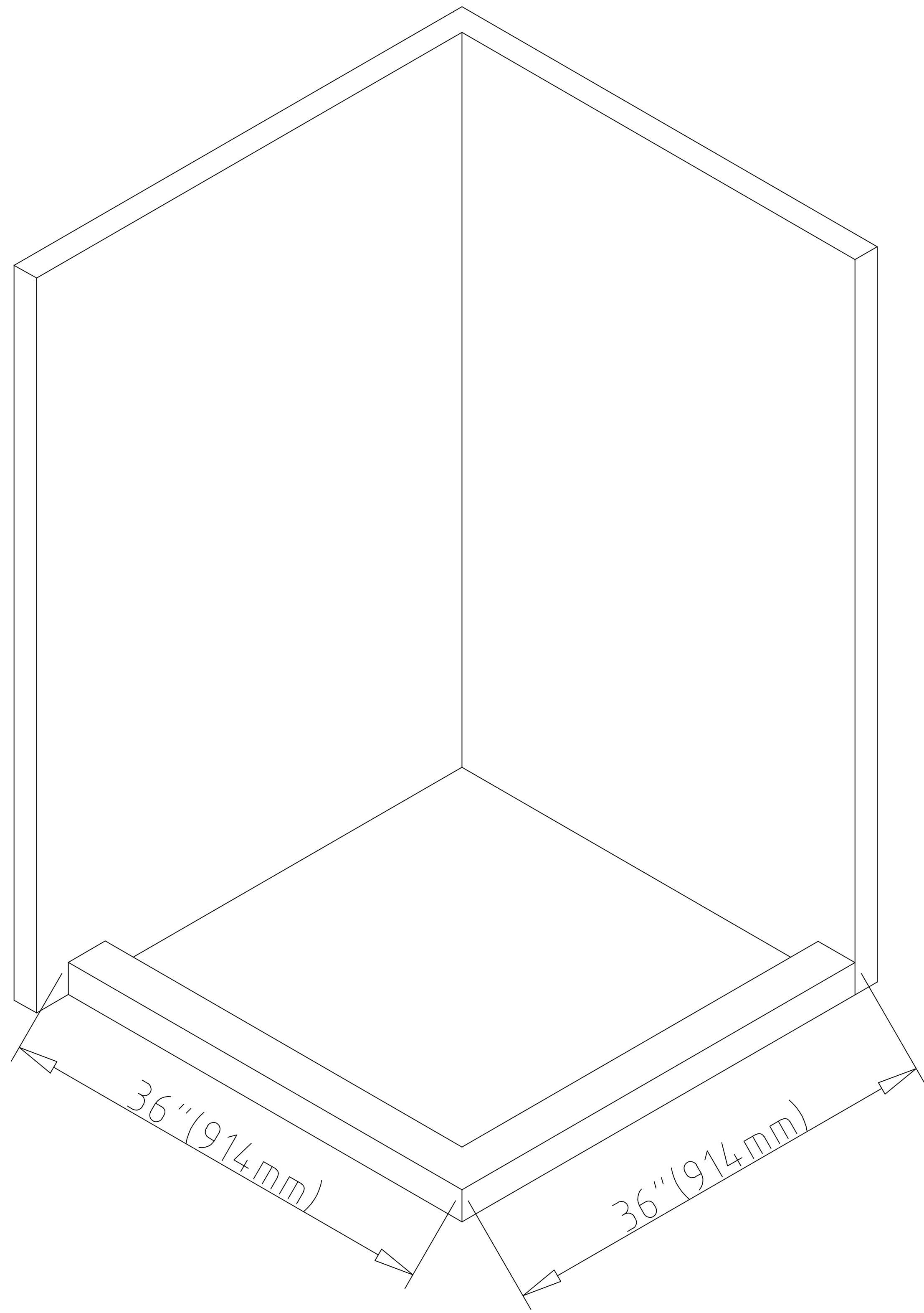
Product installation attention and maintenance

Note: When installing, the glass corner protector cannot be dropped. And glass corners cannot touch the ground

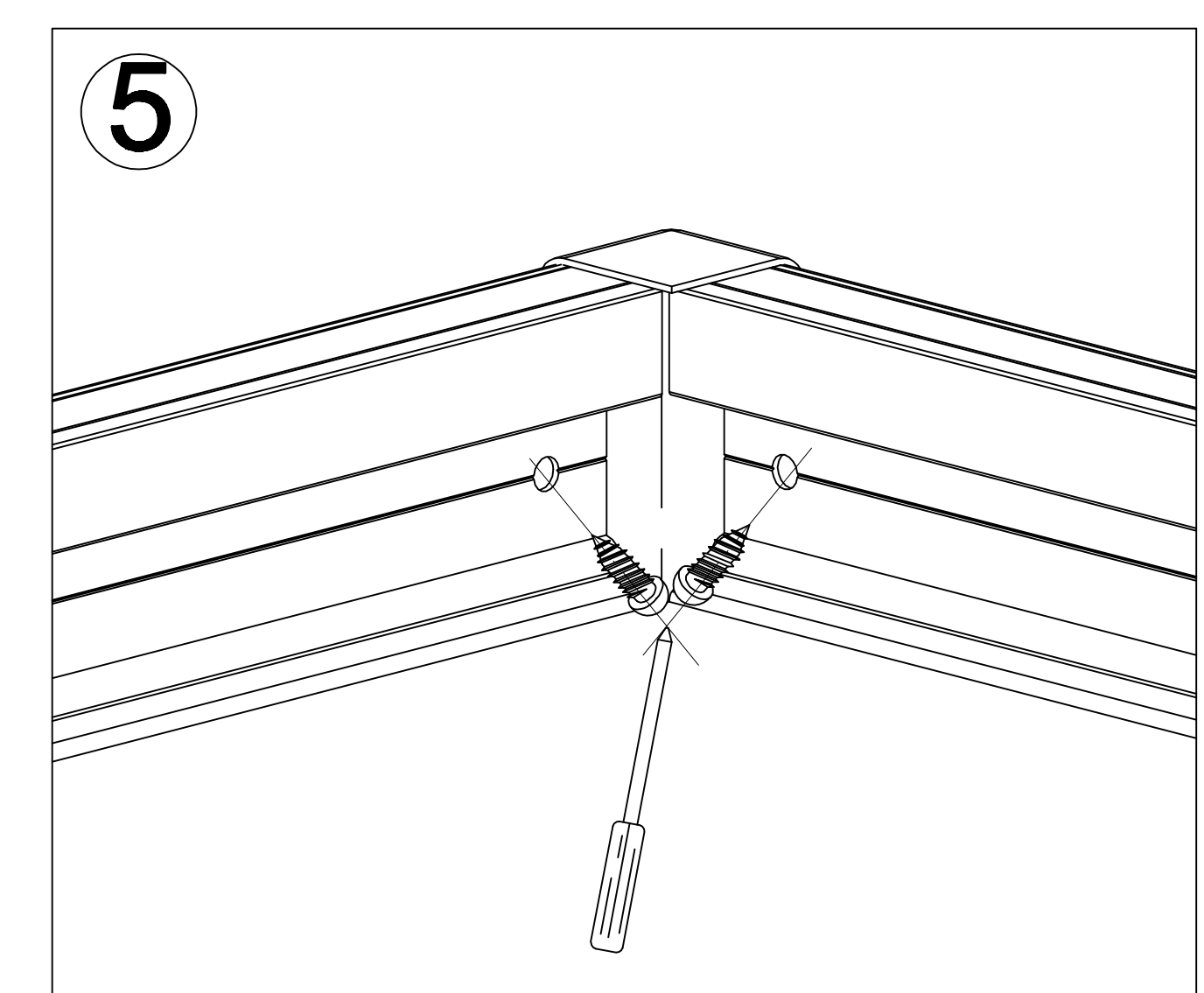
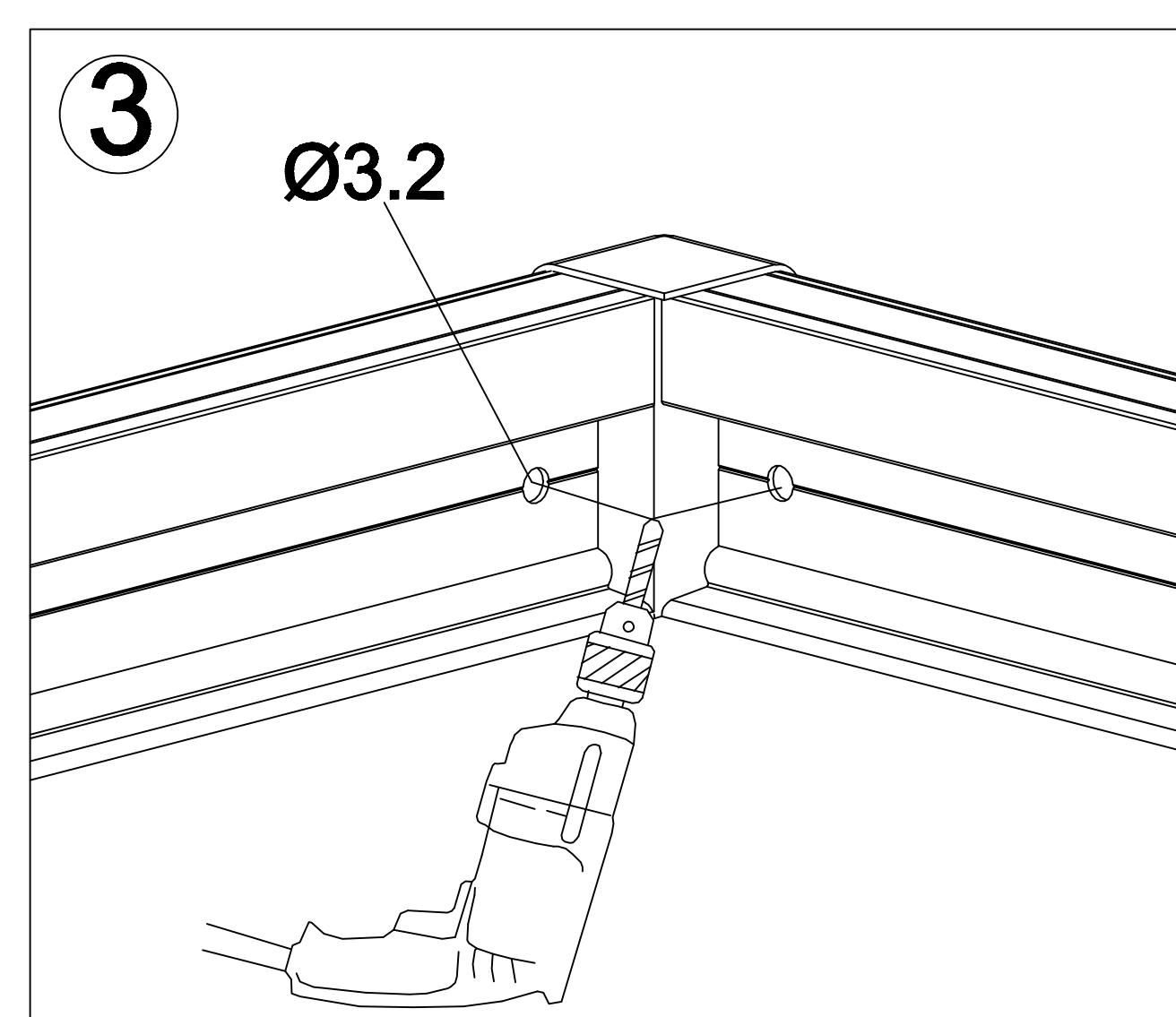
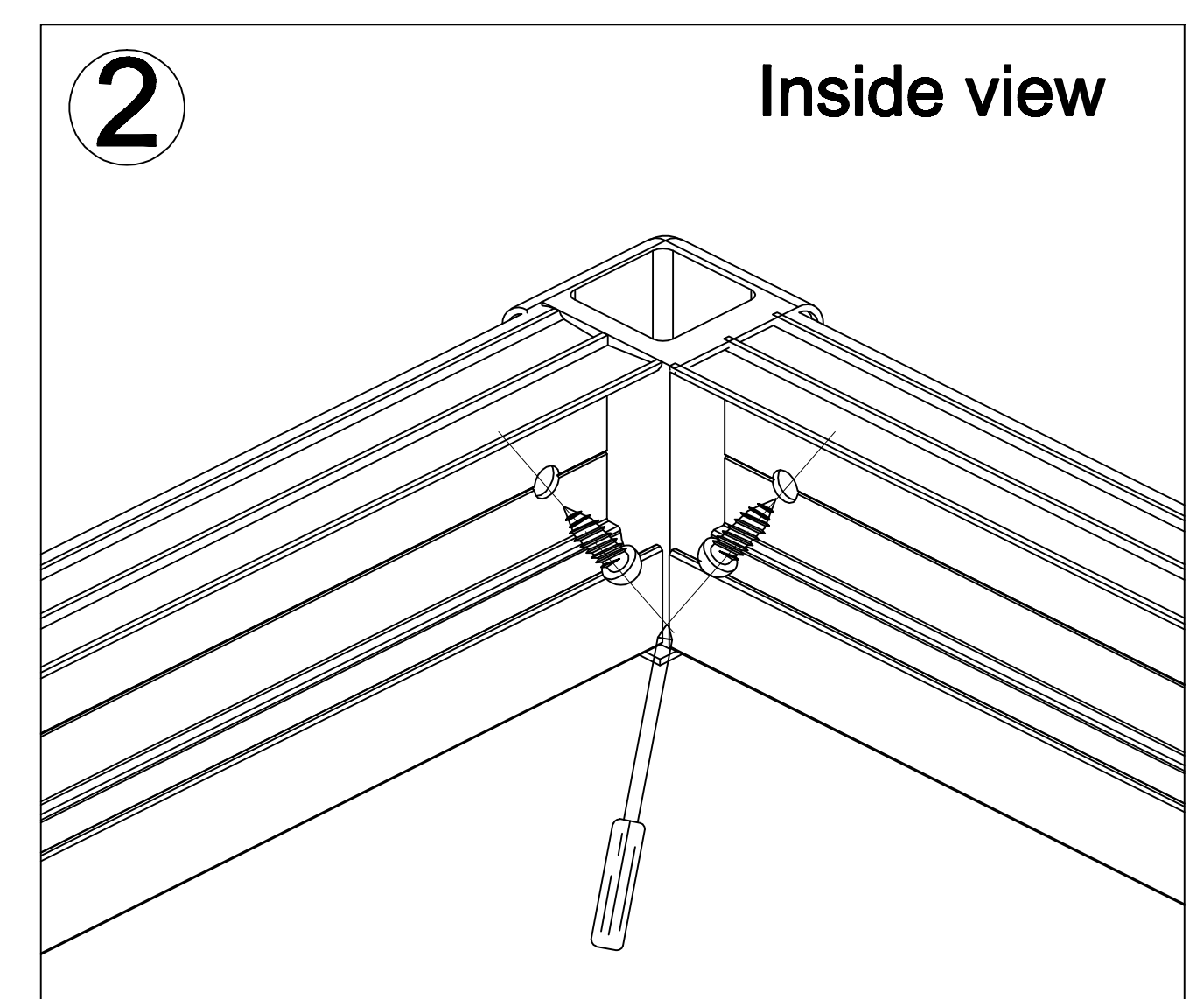
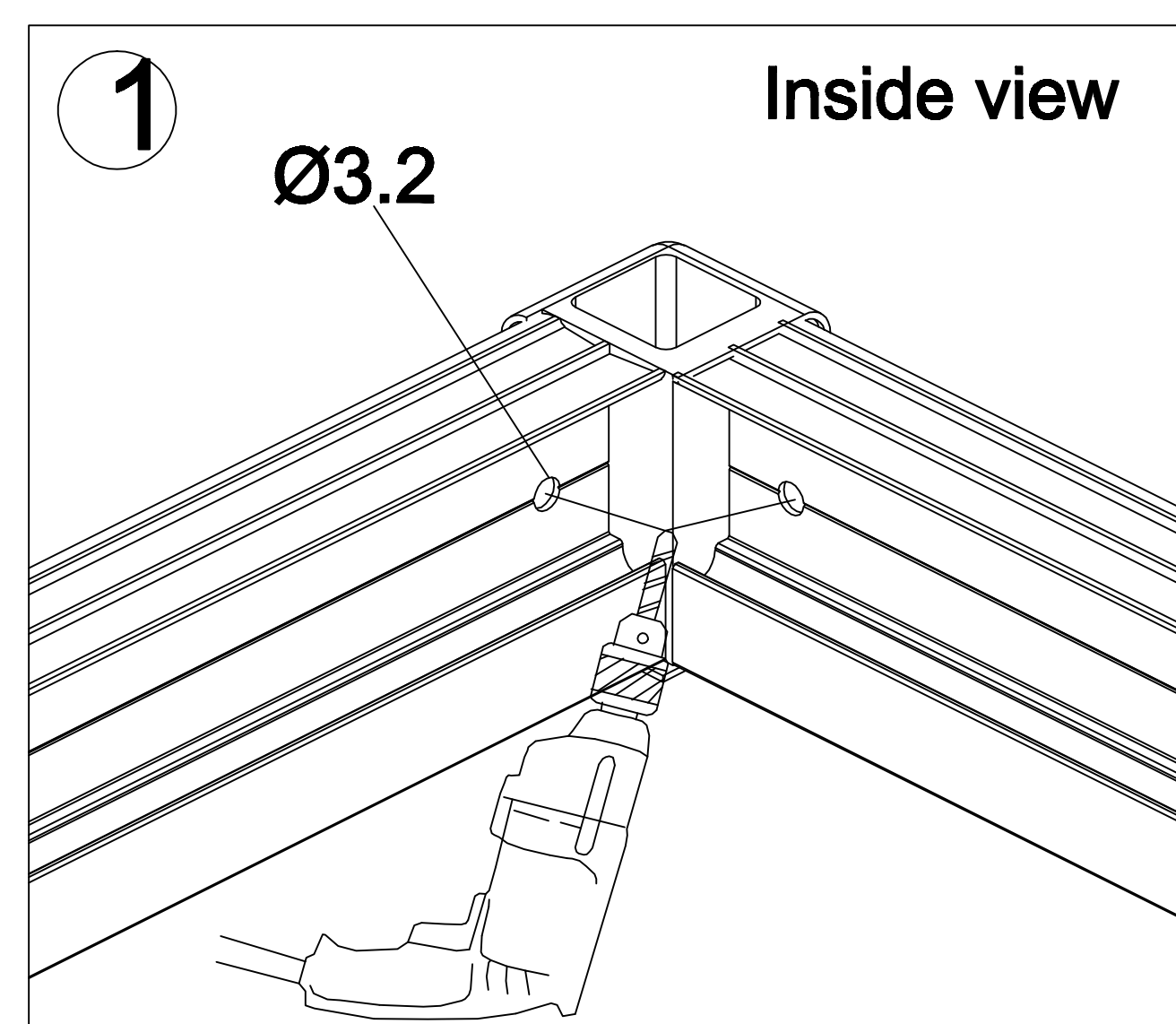
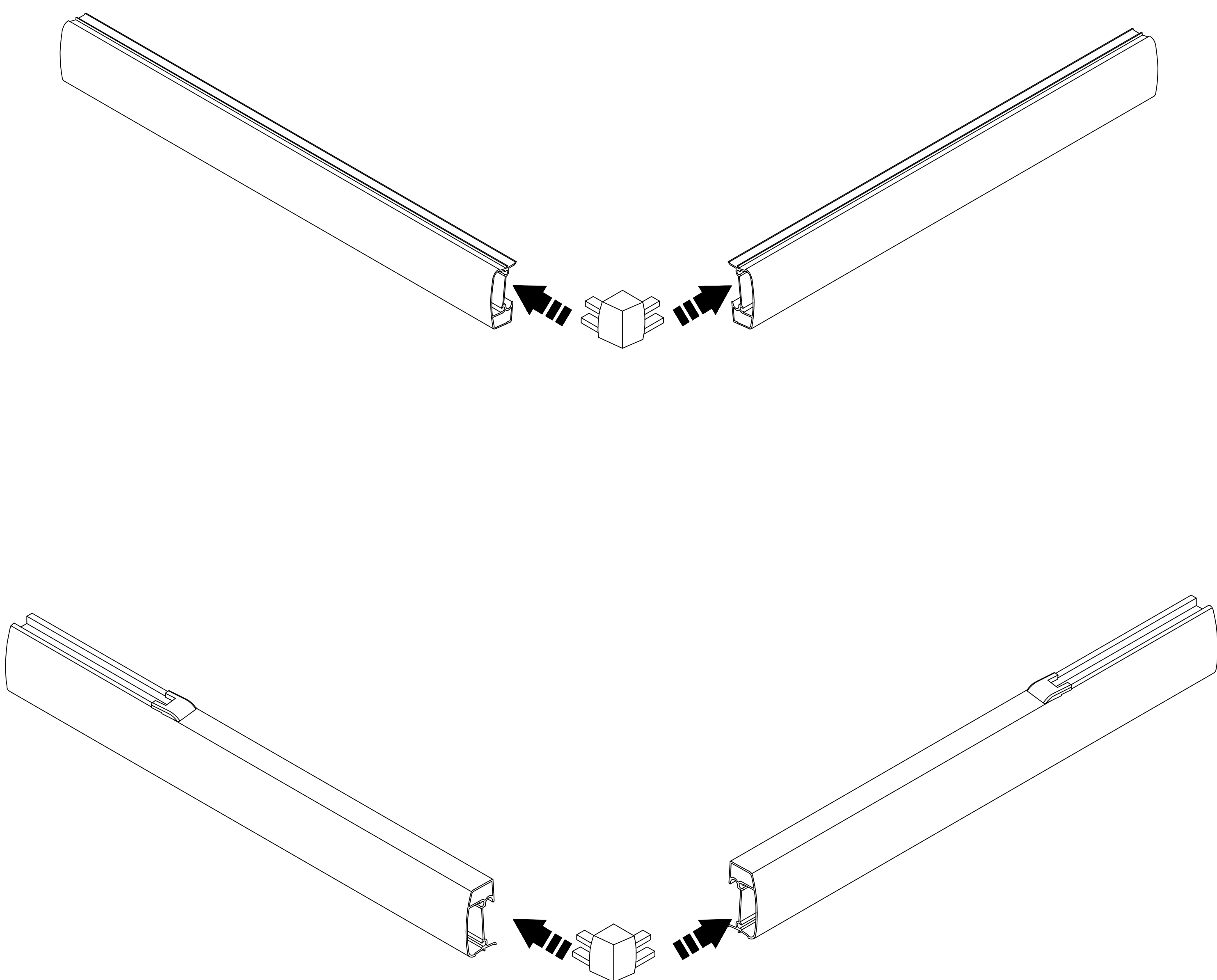
GLASS: To ensure long lasting life for your glass shower products: wipe them off after each use with a soft cloth. Rinse and wipe off the glass using either a soft cloth or a squeegee to prevent soap buildup and water spots (Hard water can etch the surface of the glass over time if left to dry). To prevent scratching the surface: never use abrasive cleaners or cleaning products that contain scouring agents. Never use bristle brushes or abrasive sponges that may scratch the surface.

HARDWARE: To ensure a long lasting finish: wipe off the metal parts after each use with a soft cloth. Do not use abrasive cleaners or cleaning products containing ammonia, bleach or acid. If accidentally used, rinse the surface as soon as possible to prevent damage to the finish (peeling or corrosion). After cleaning the polished finishes, rinse thoroughly and wipe dry with soft cloth. Clean stainless steel surfaces at least once a week. When applying stainless steel cleaner or polish to stainless steel hardware, work with (not across) the grain. Never use an abrasive sponge or cloth, steel wool or wired brush as these may permanently scratch the surfaces.

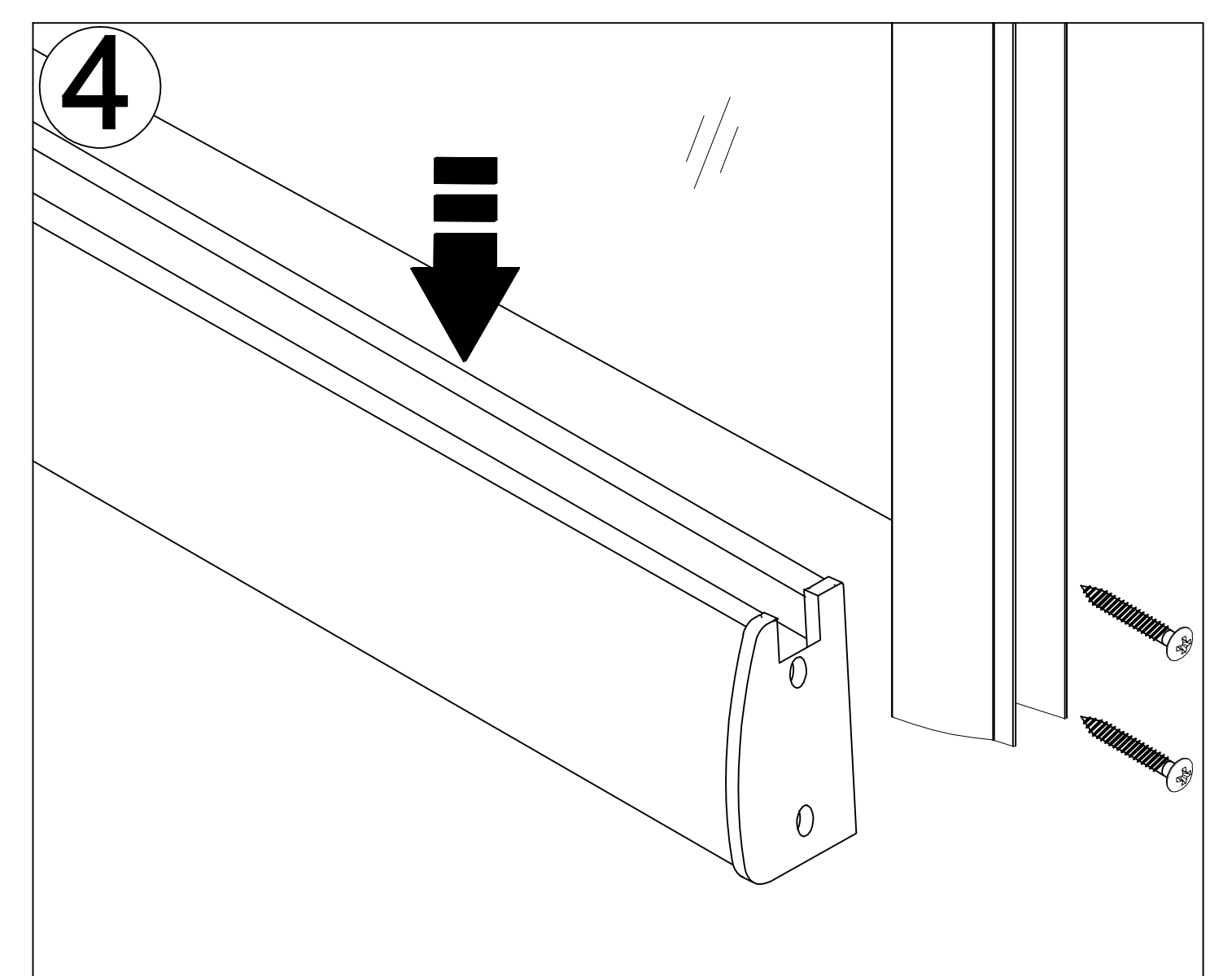
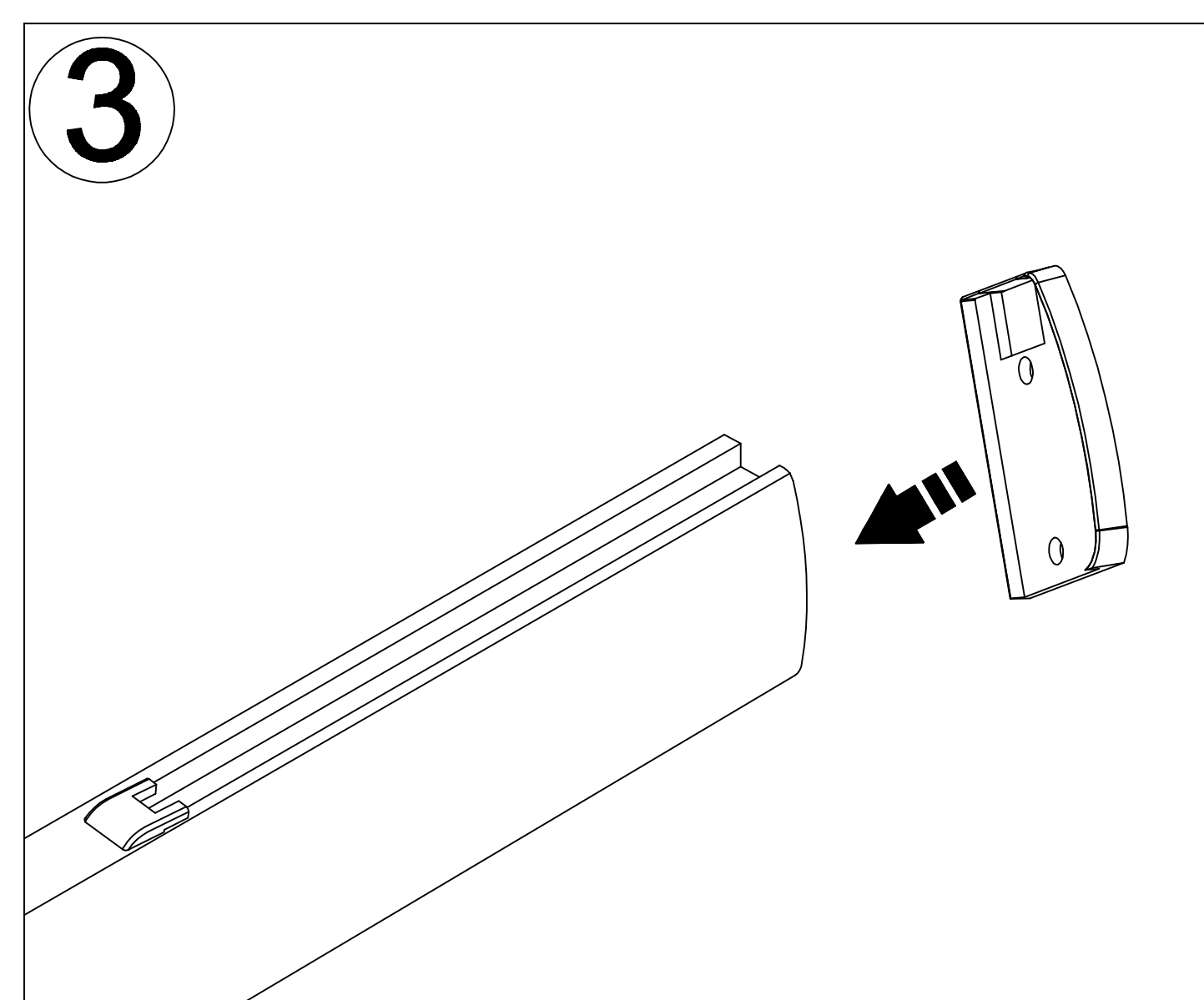
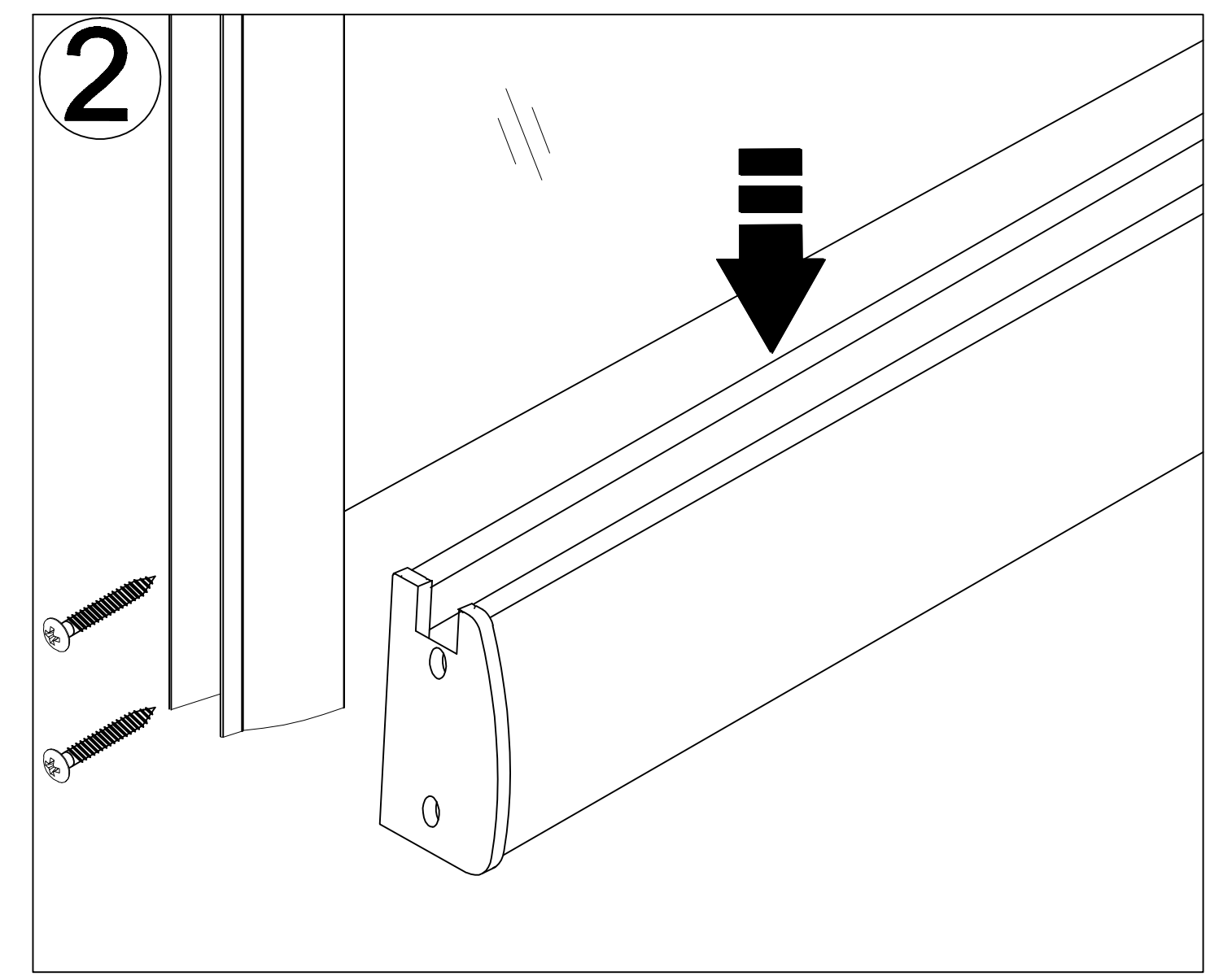
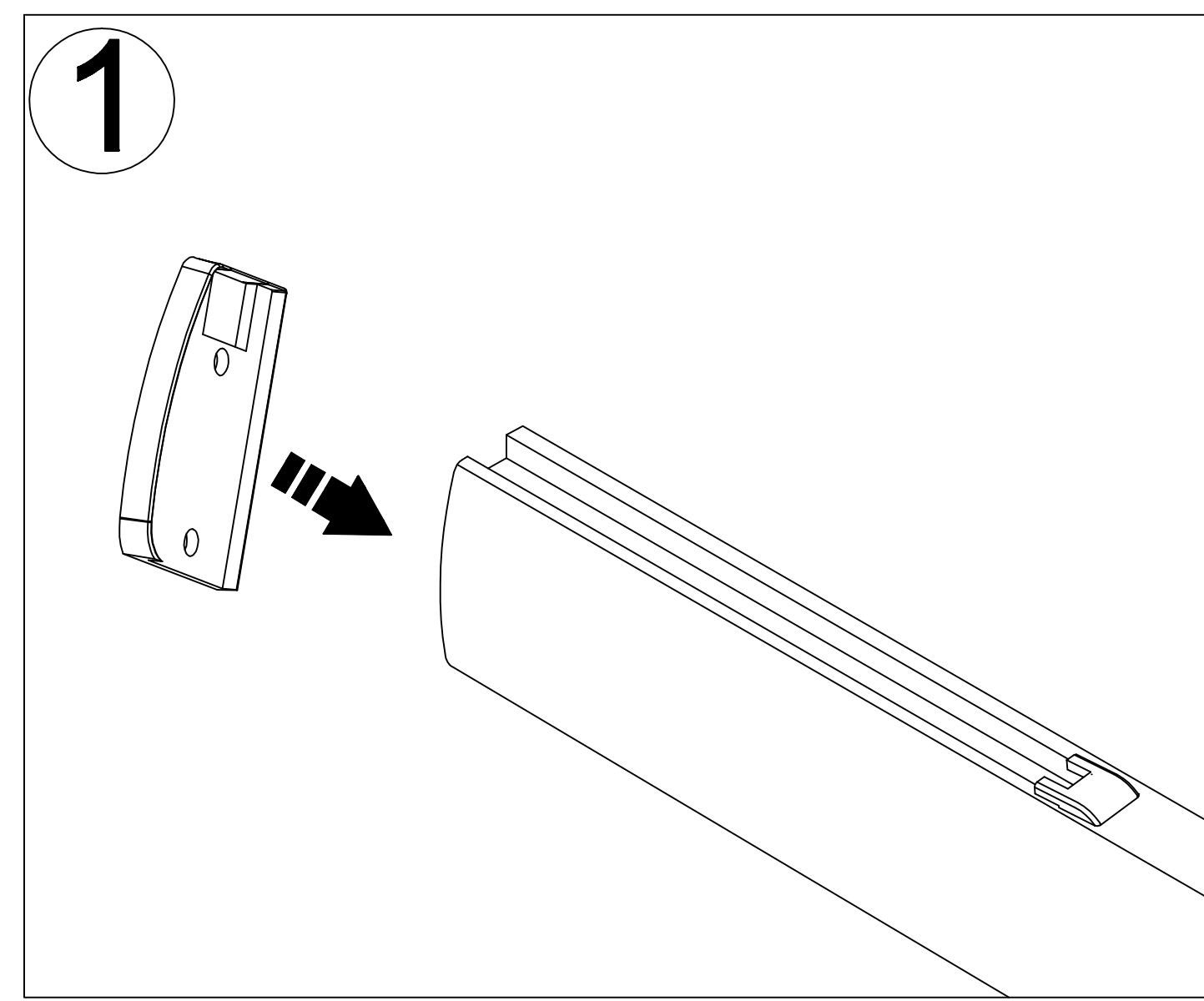
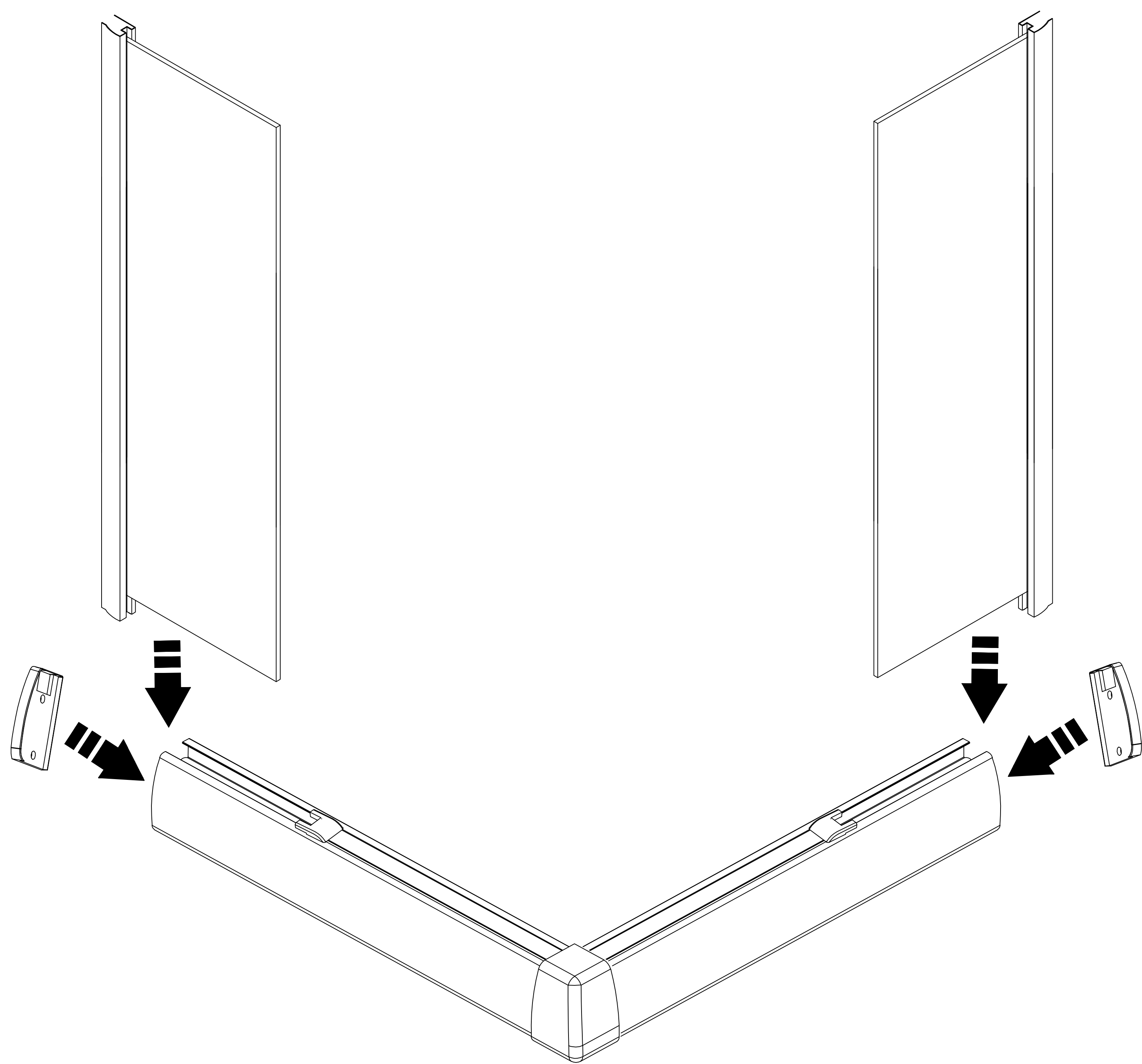
1



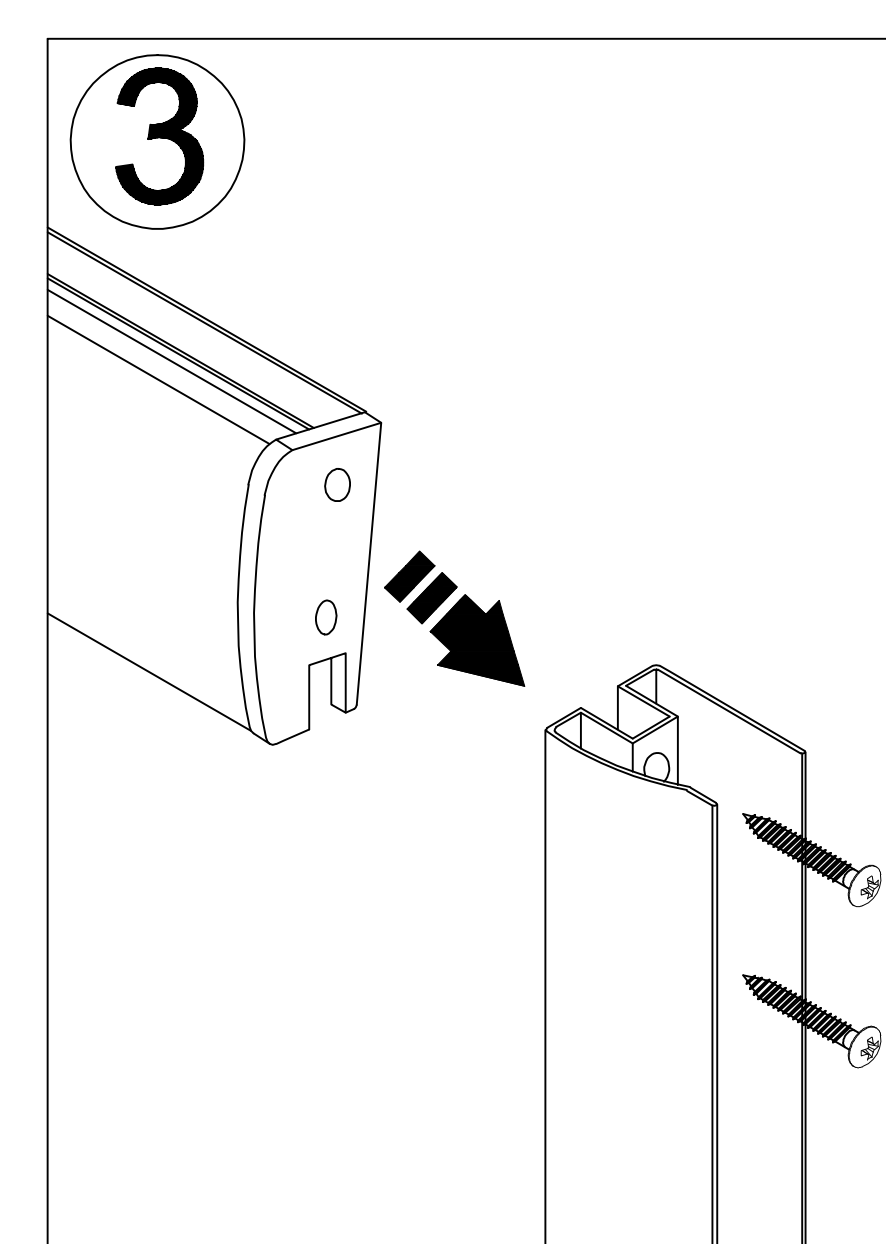
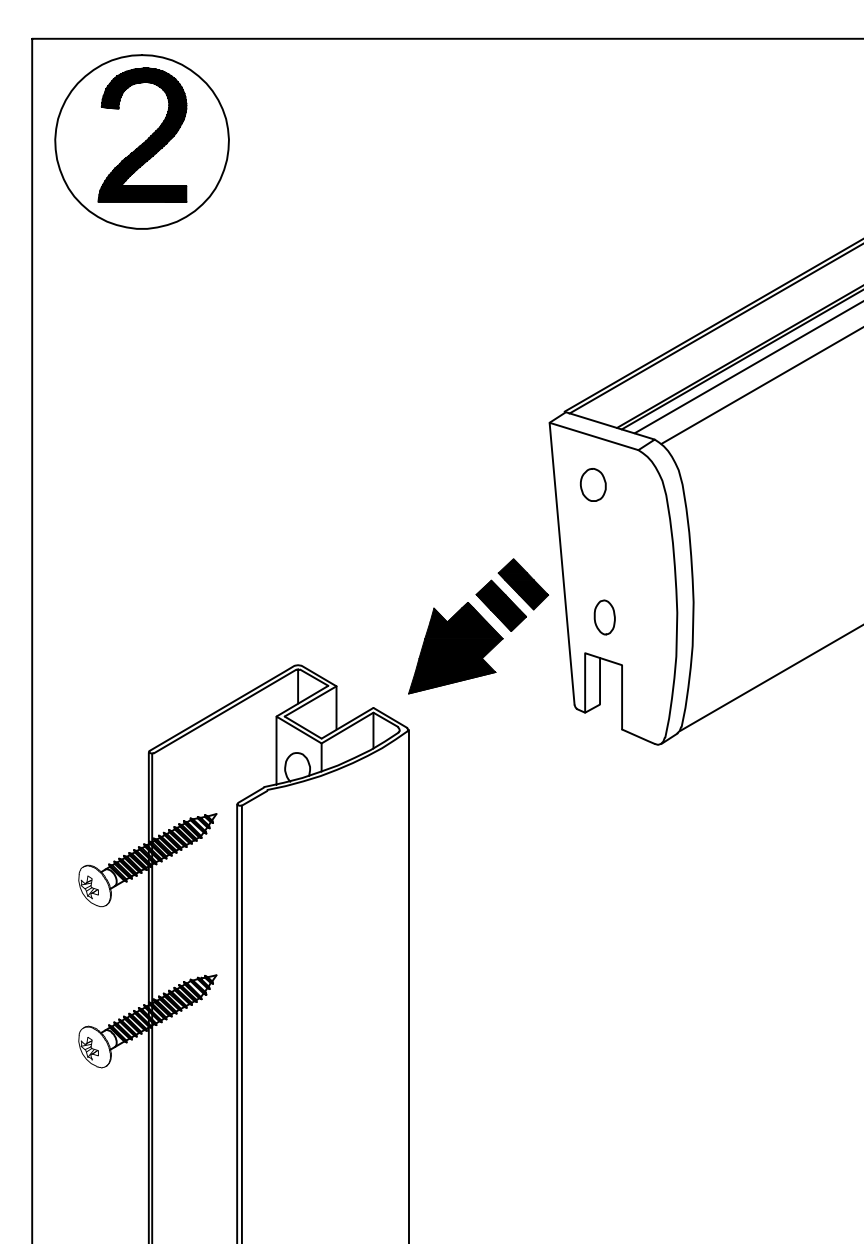
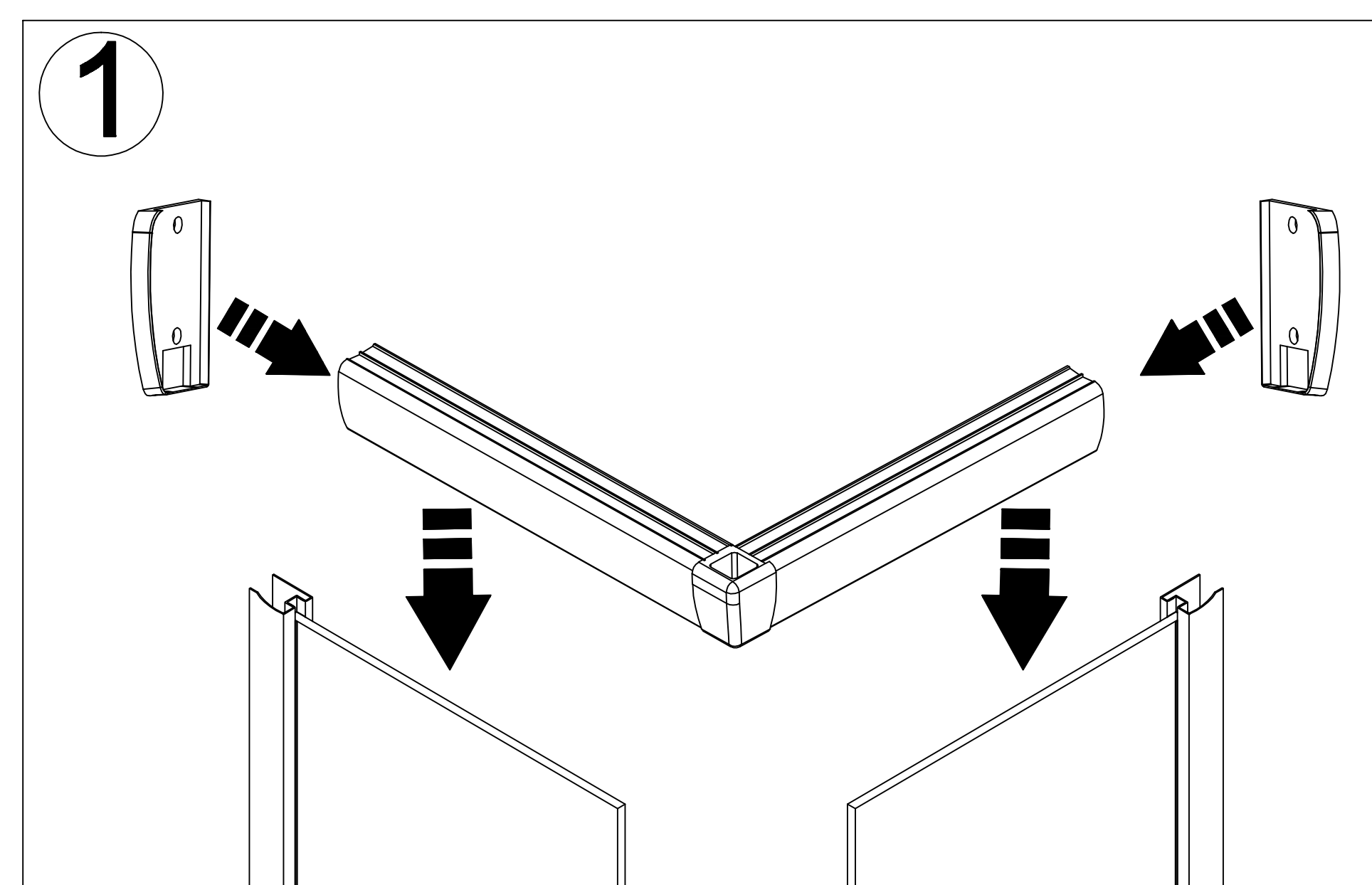
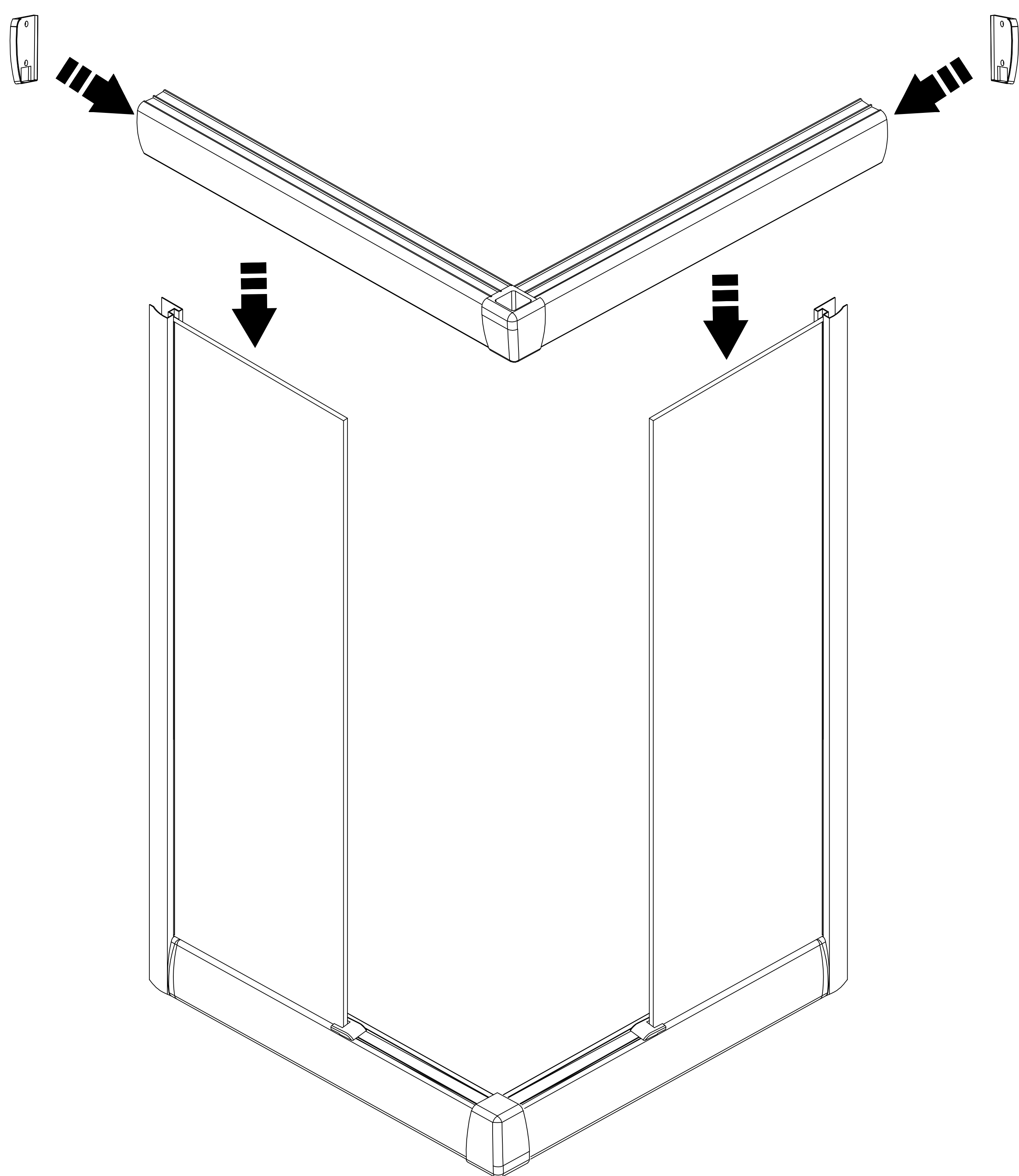
2



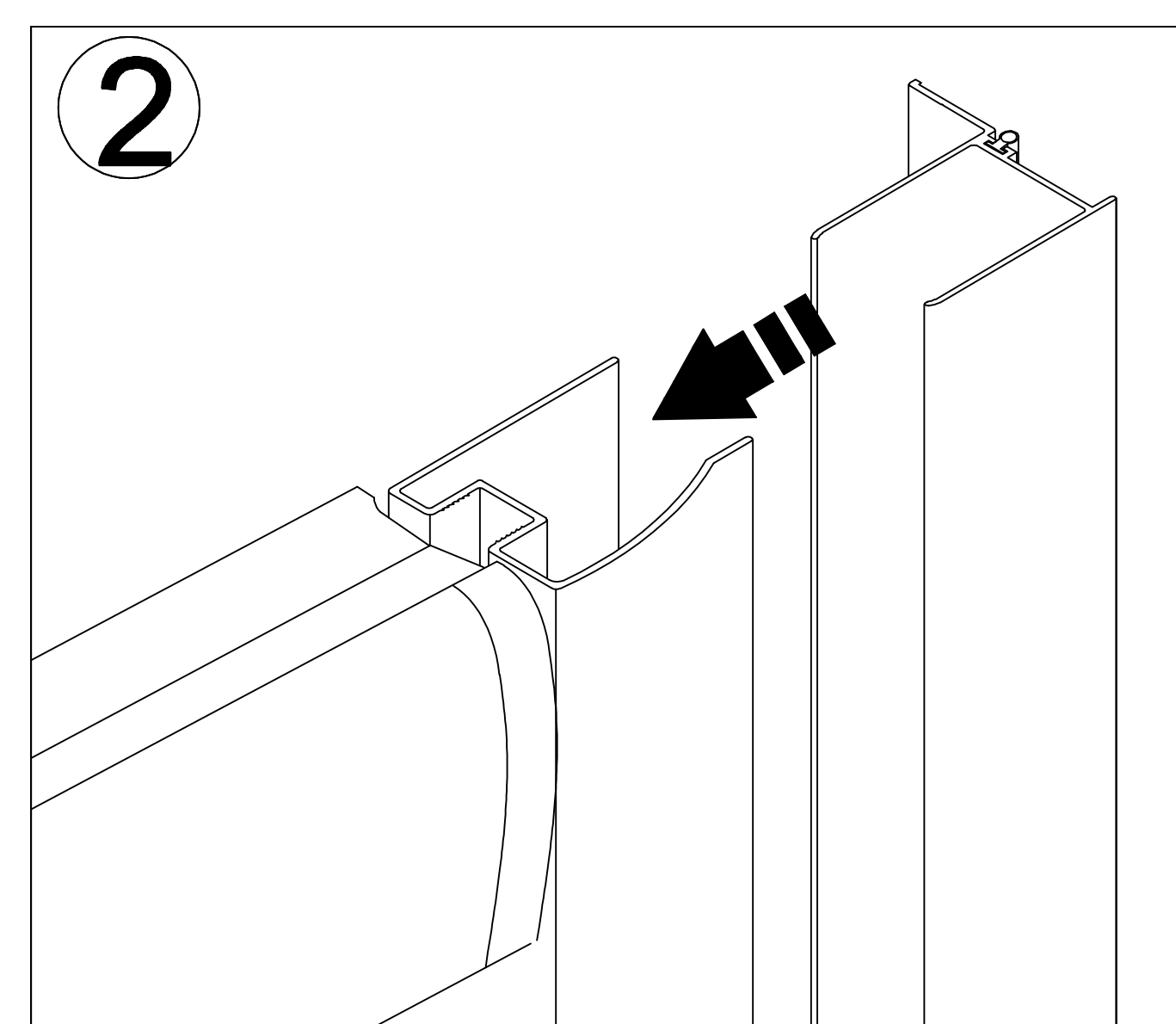
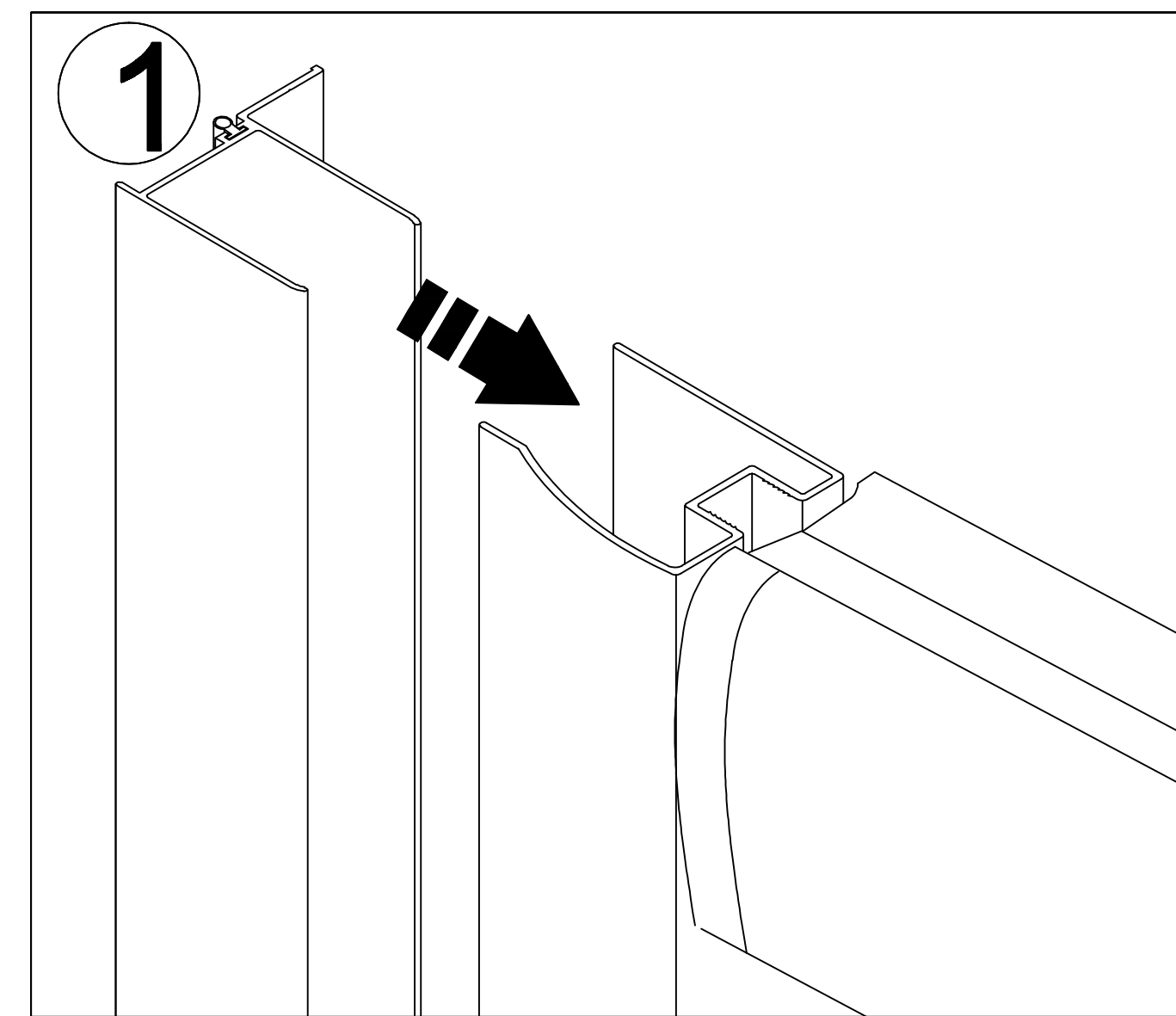
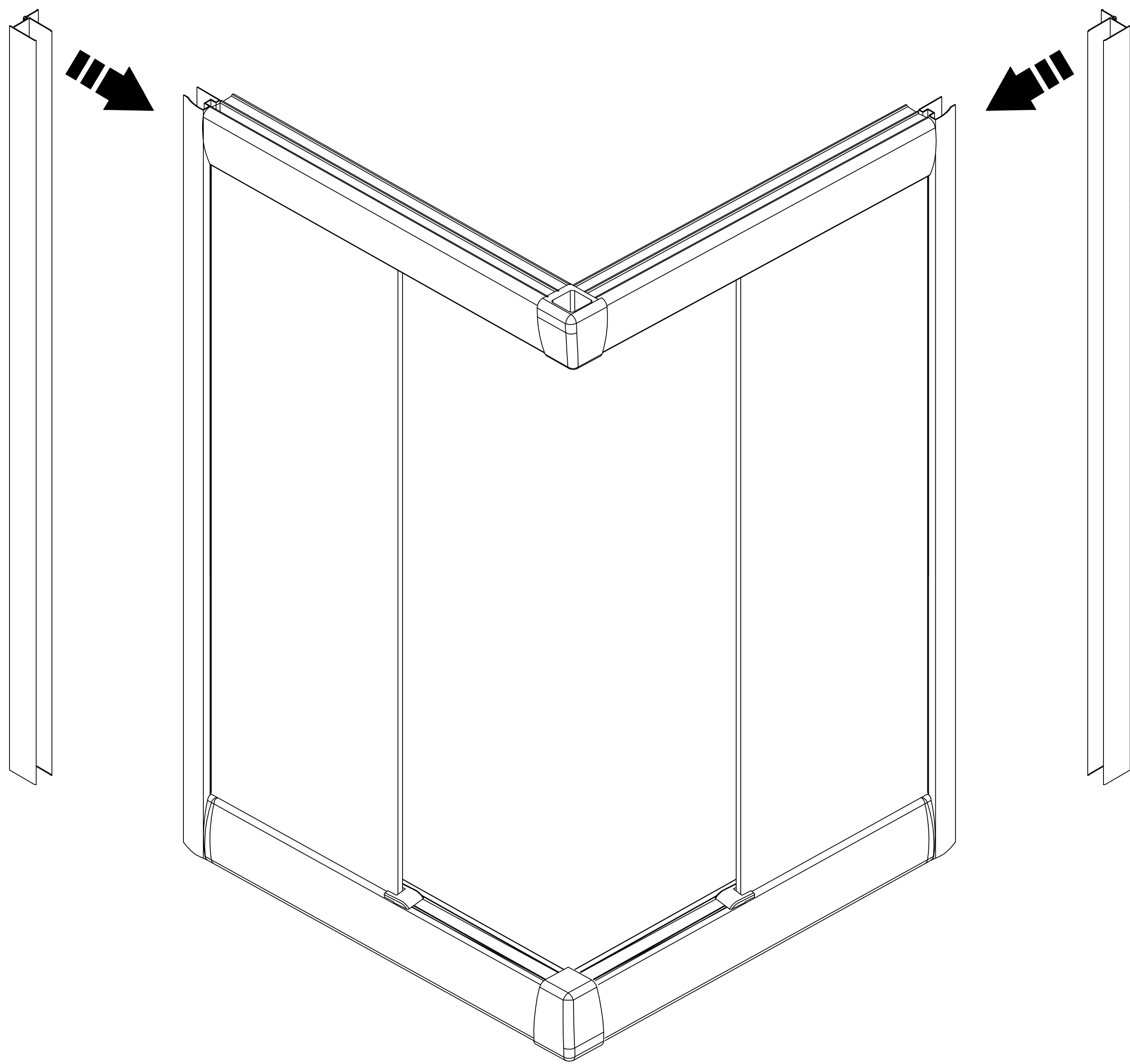
3



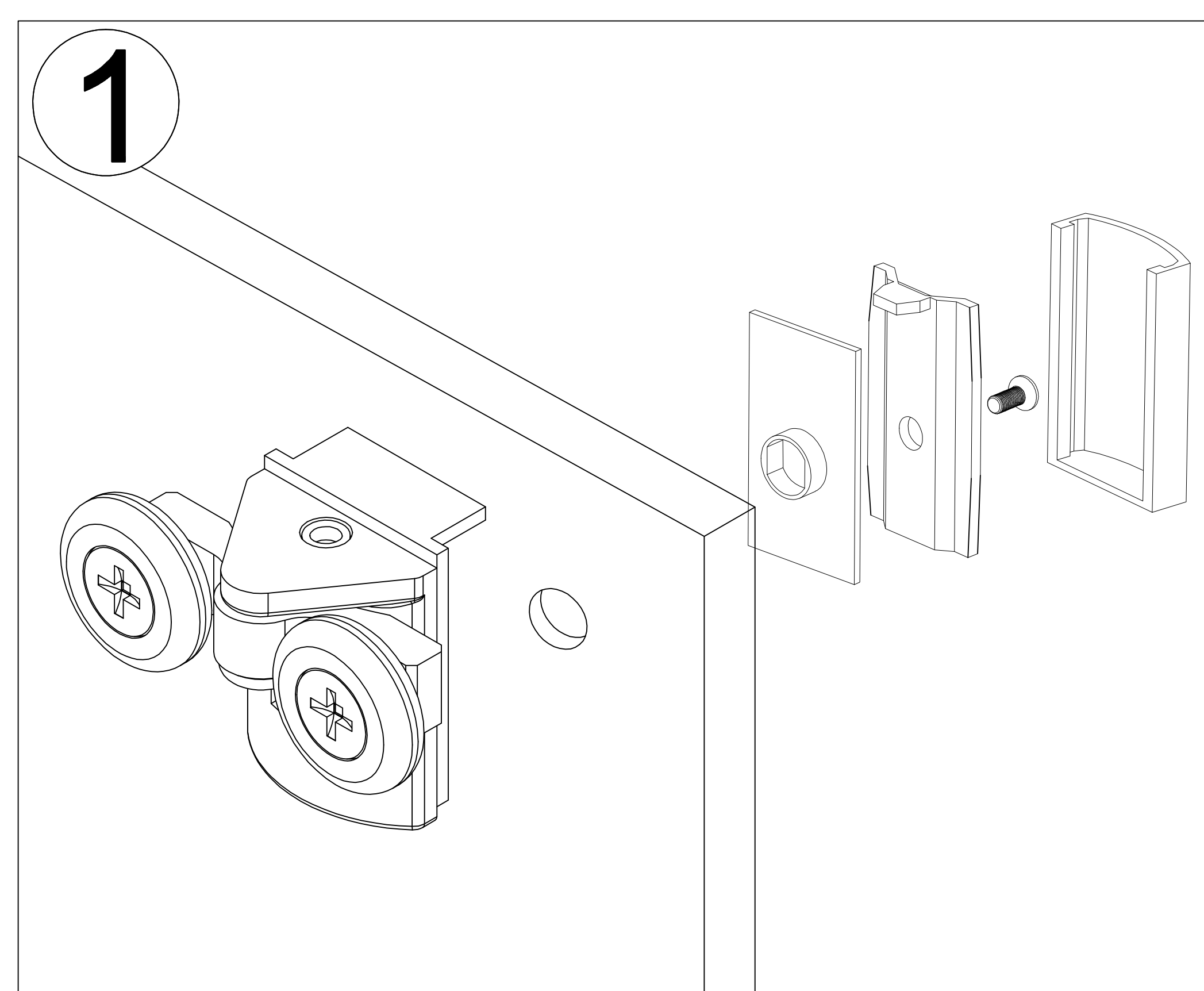
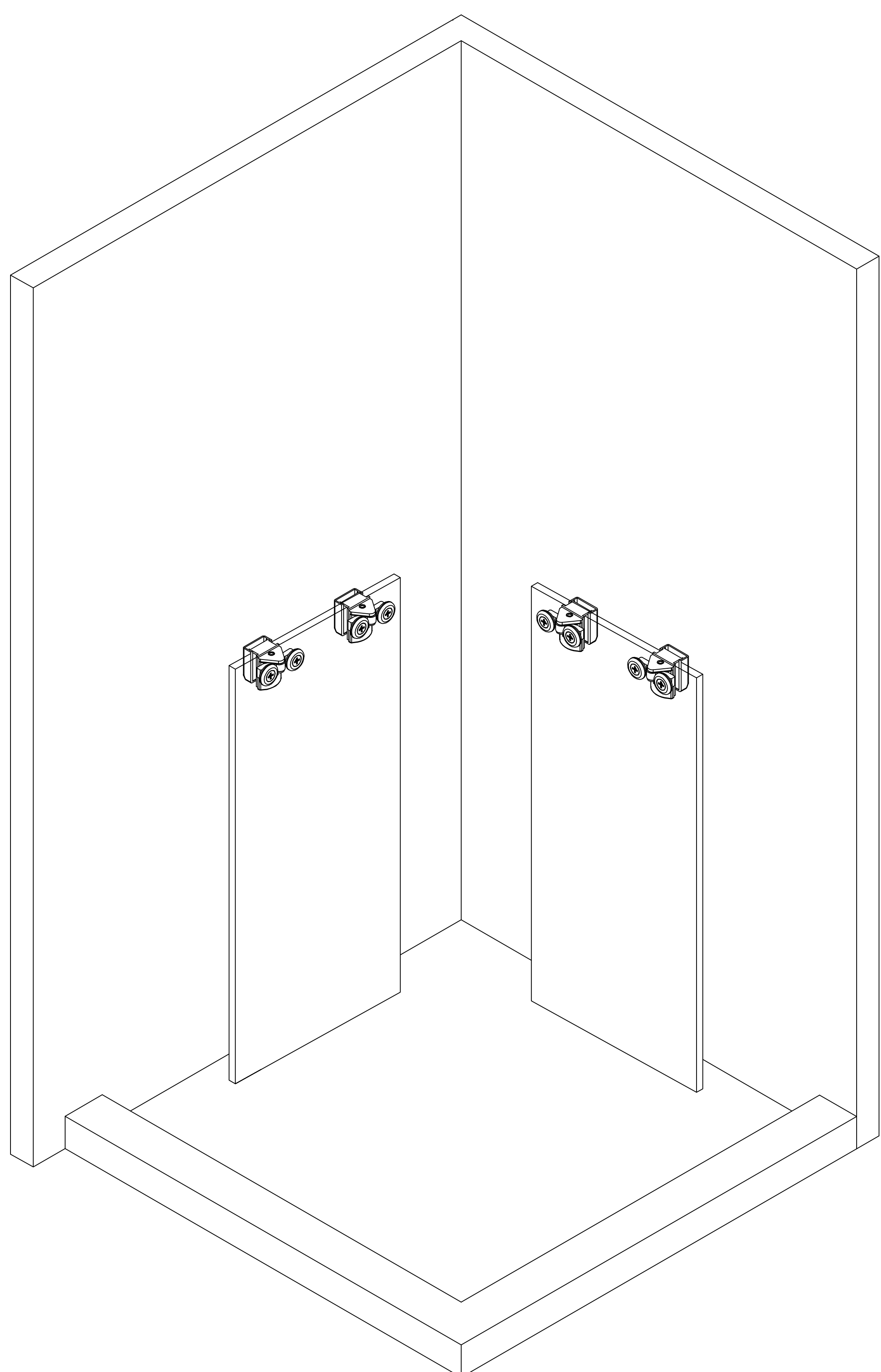
4



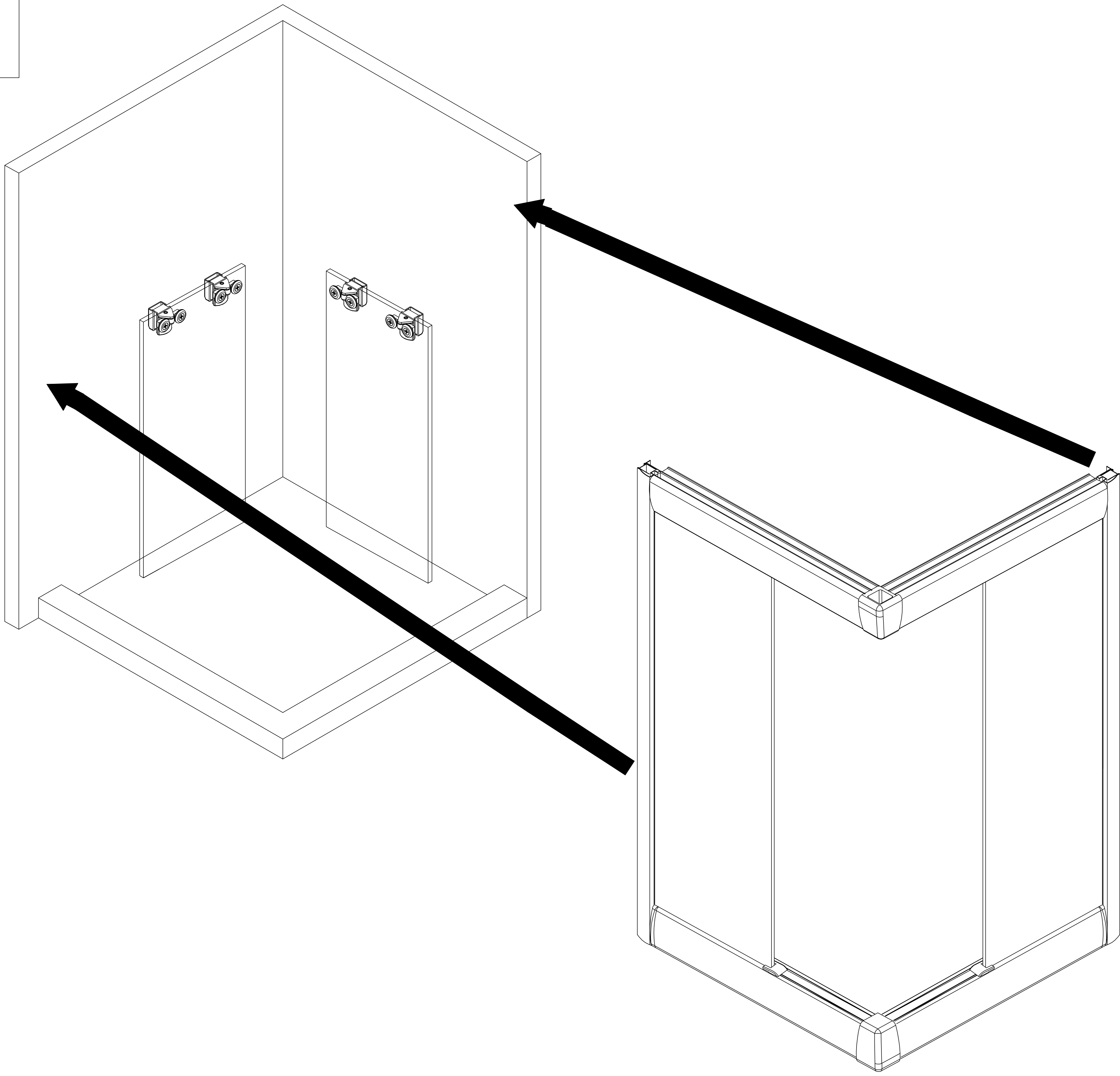
5



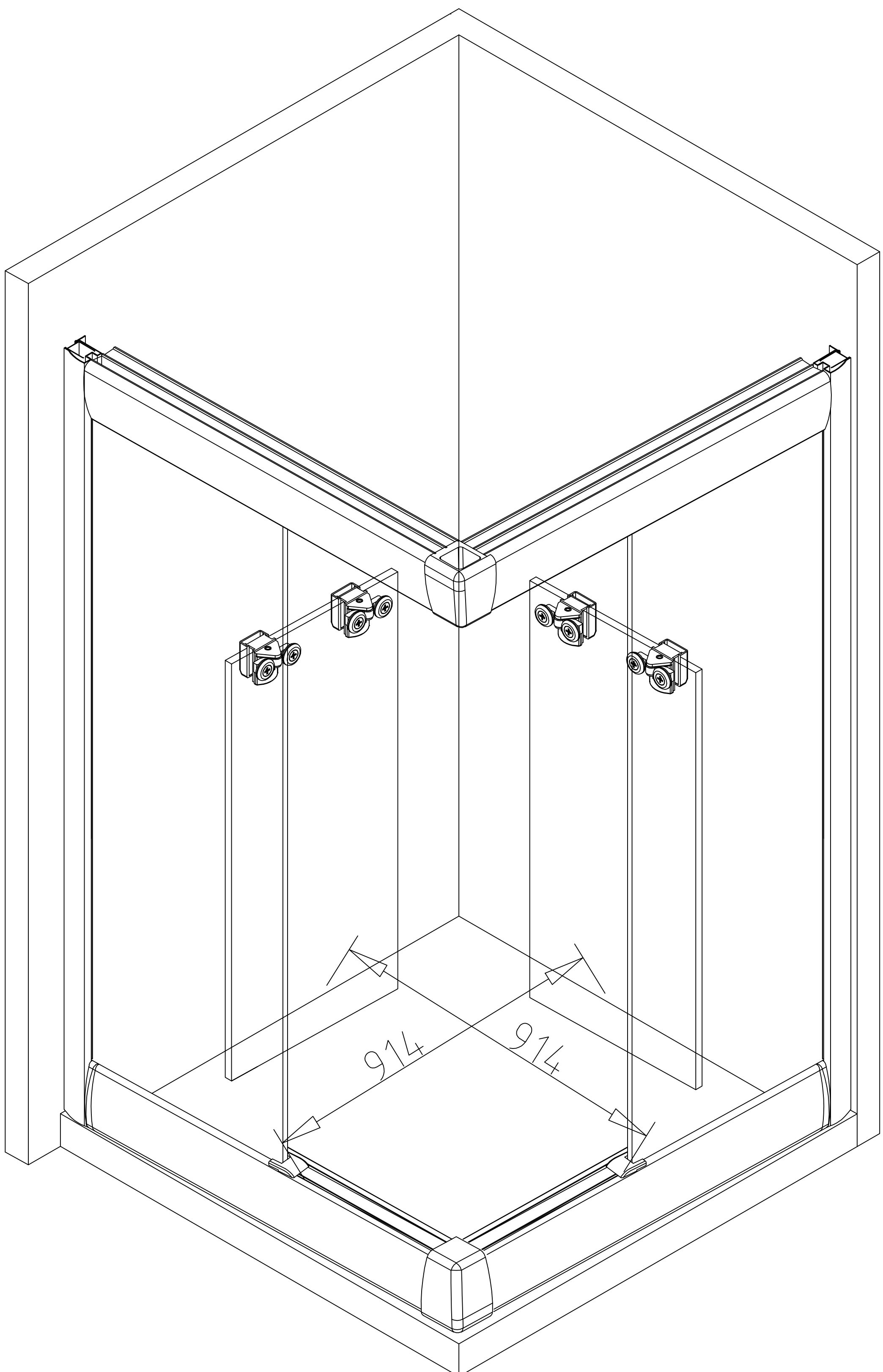
6



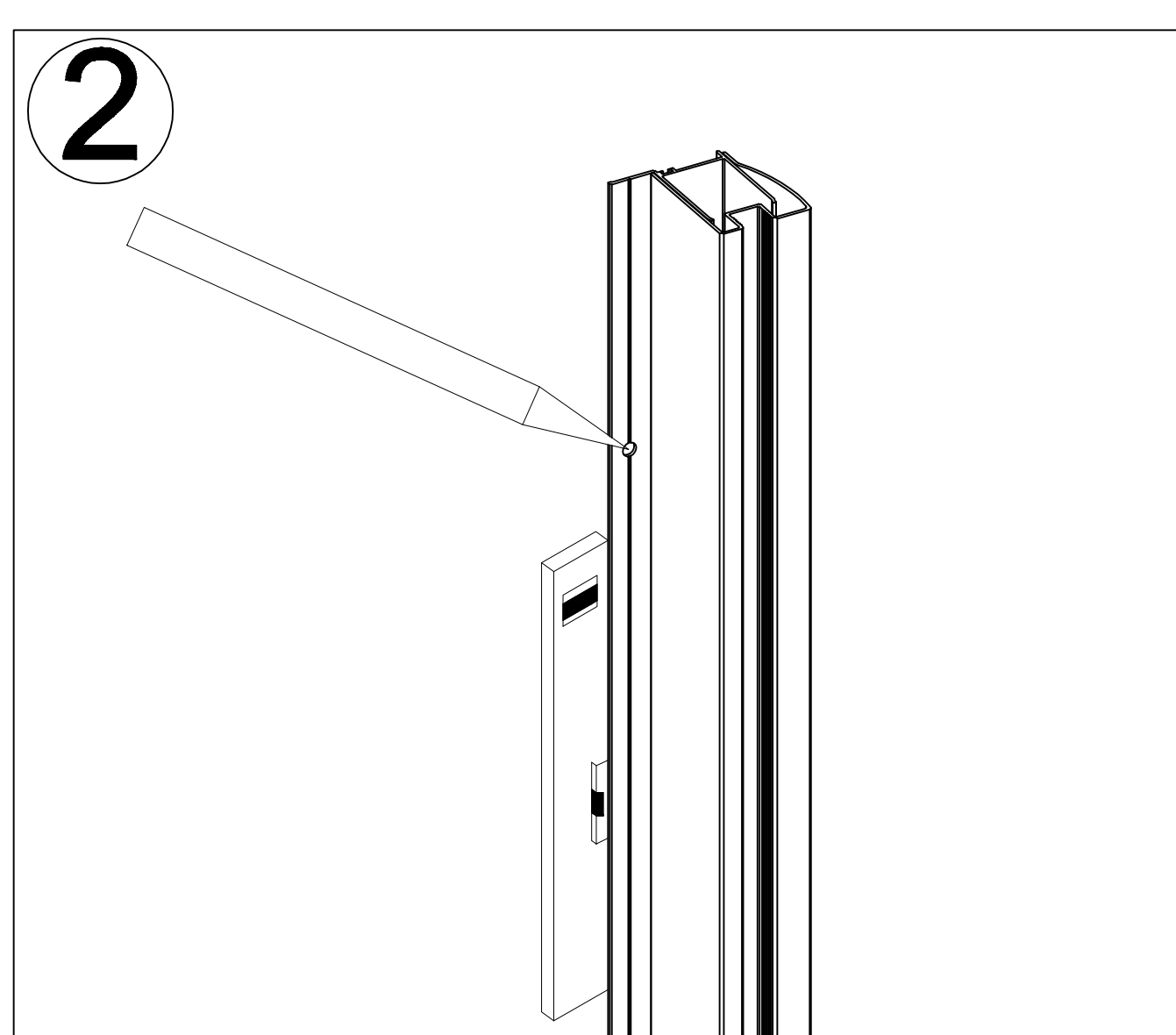
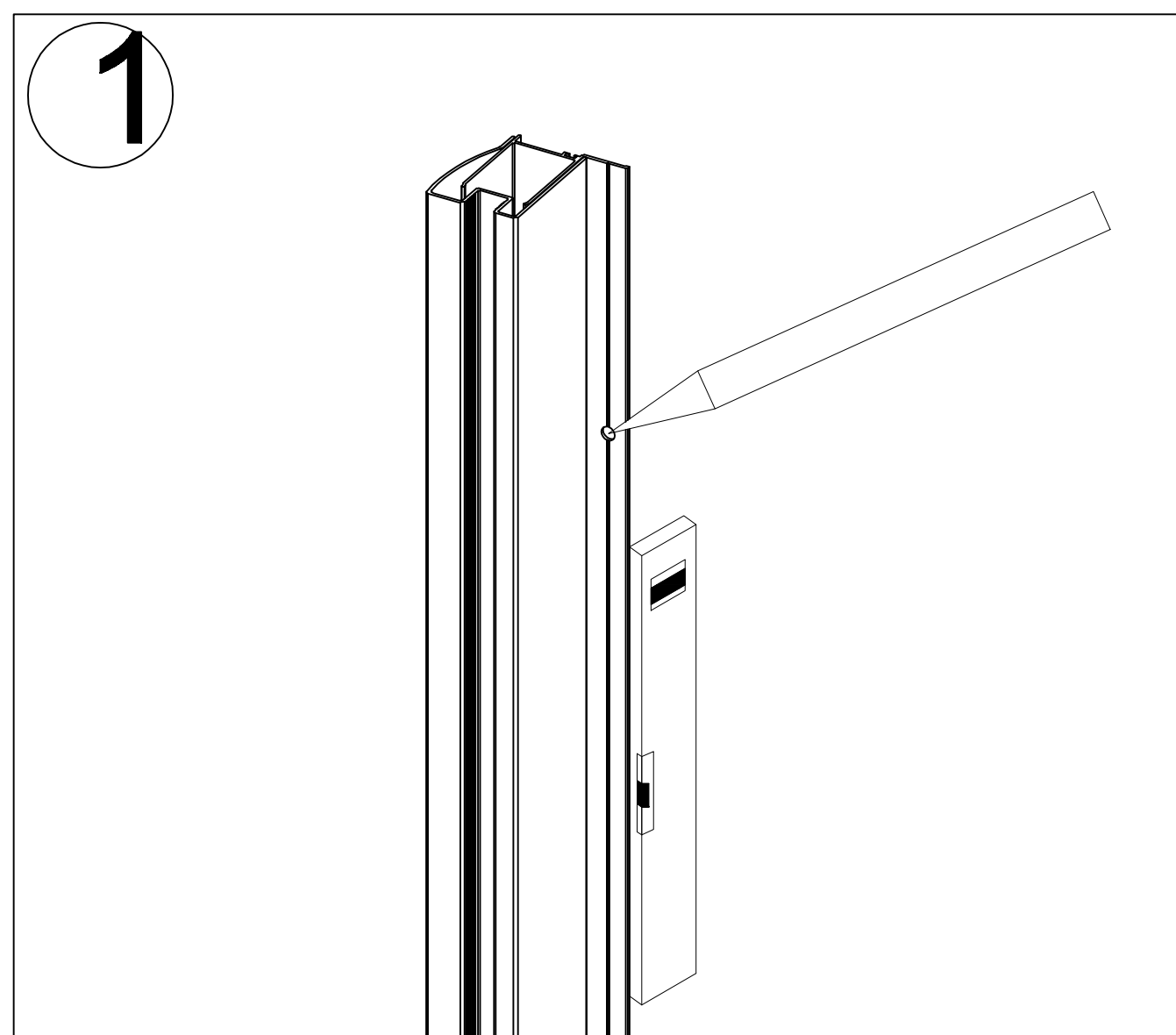
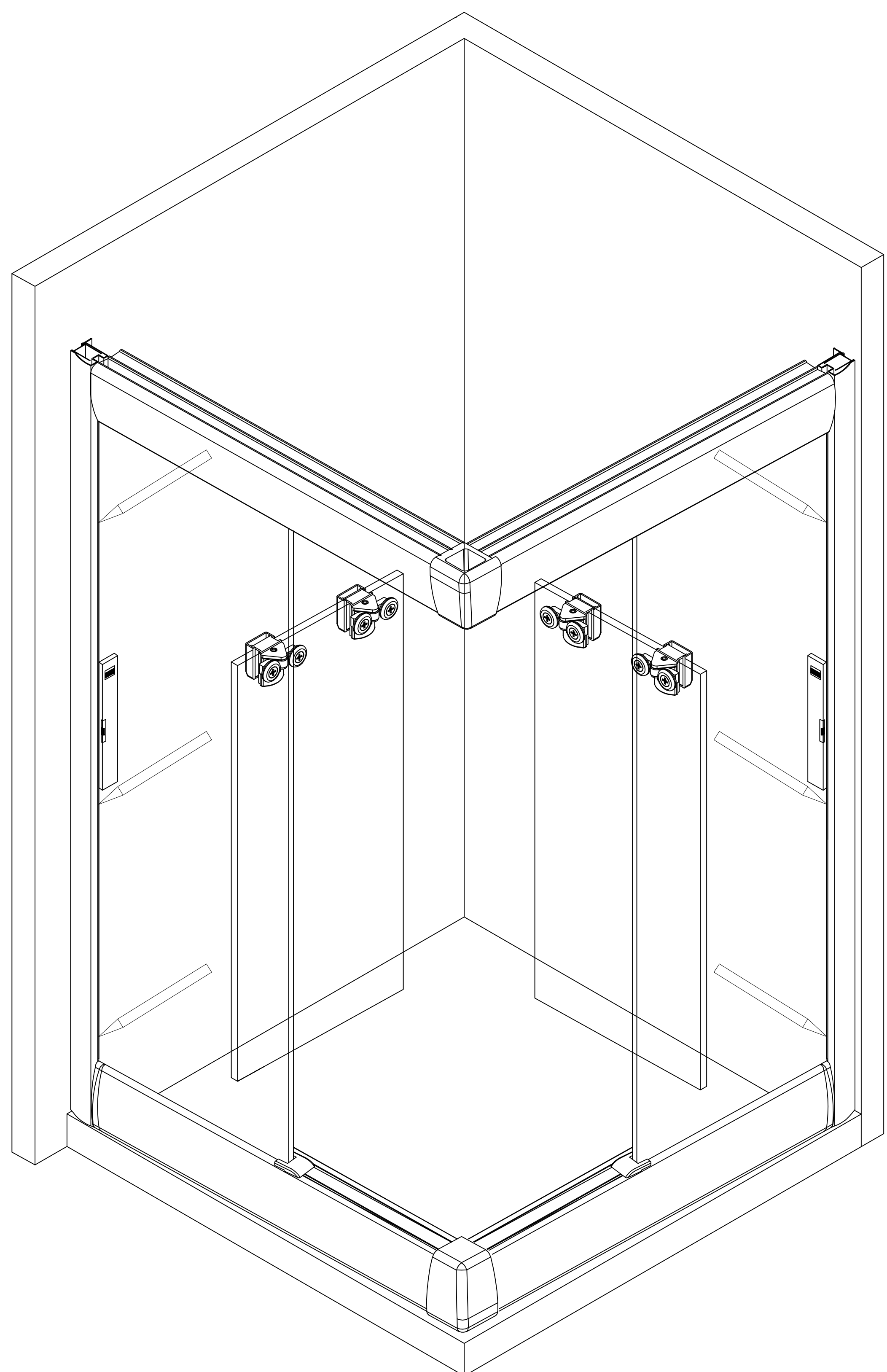
5



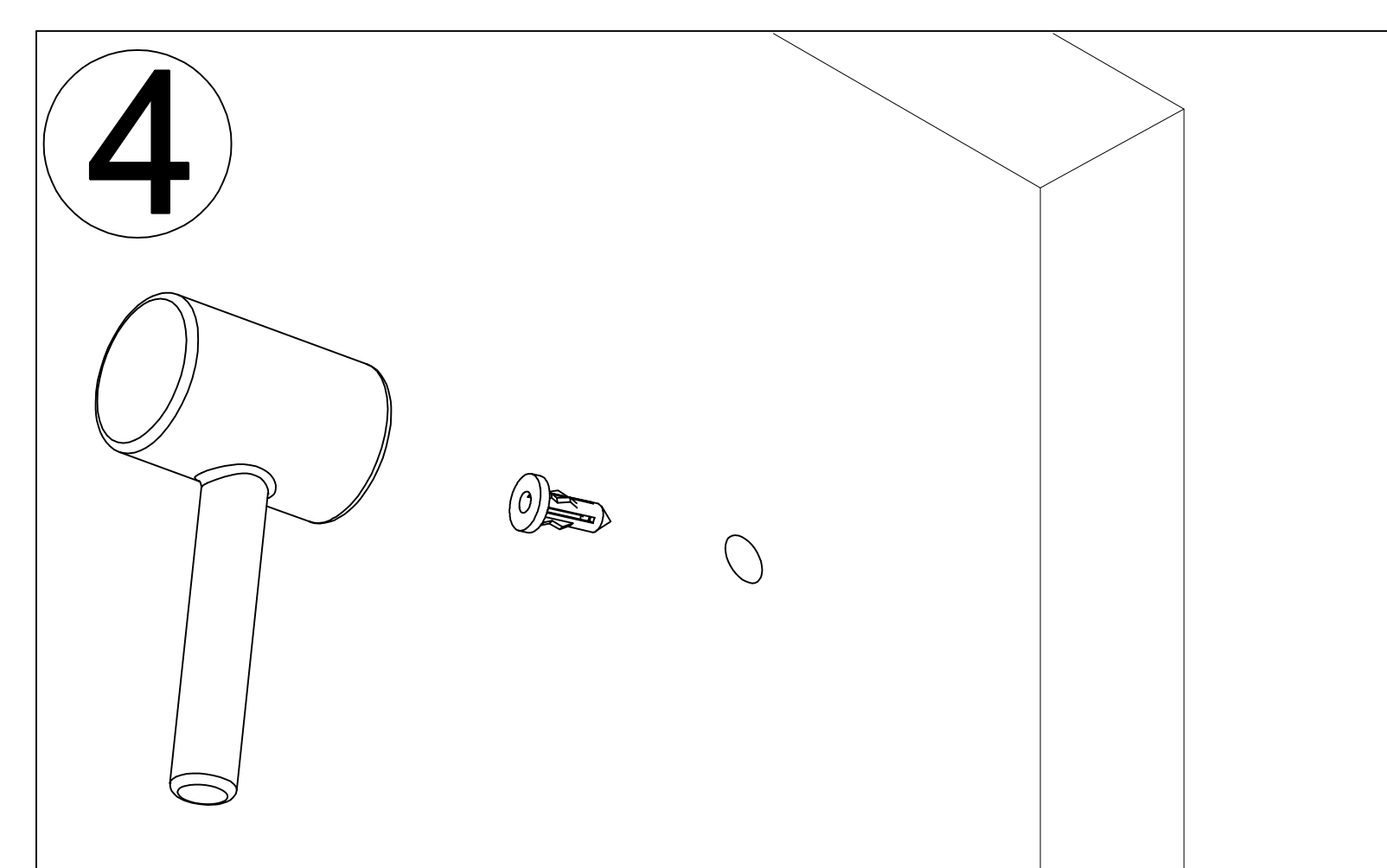
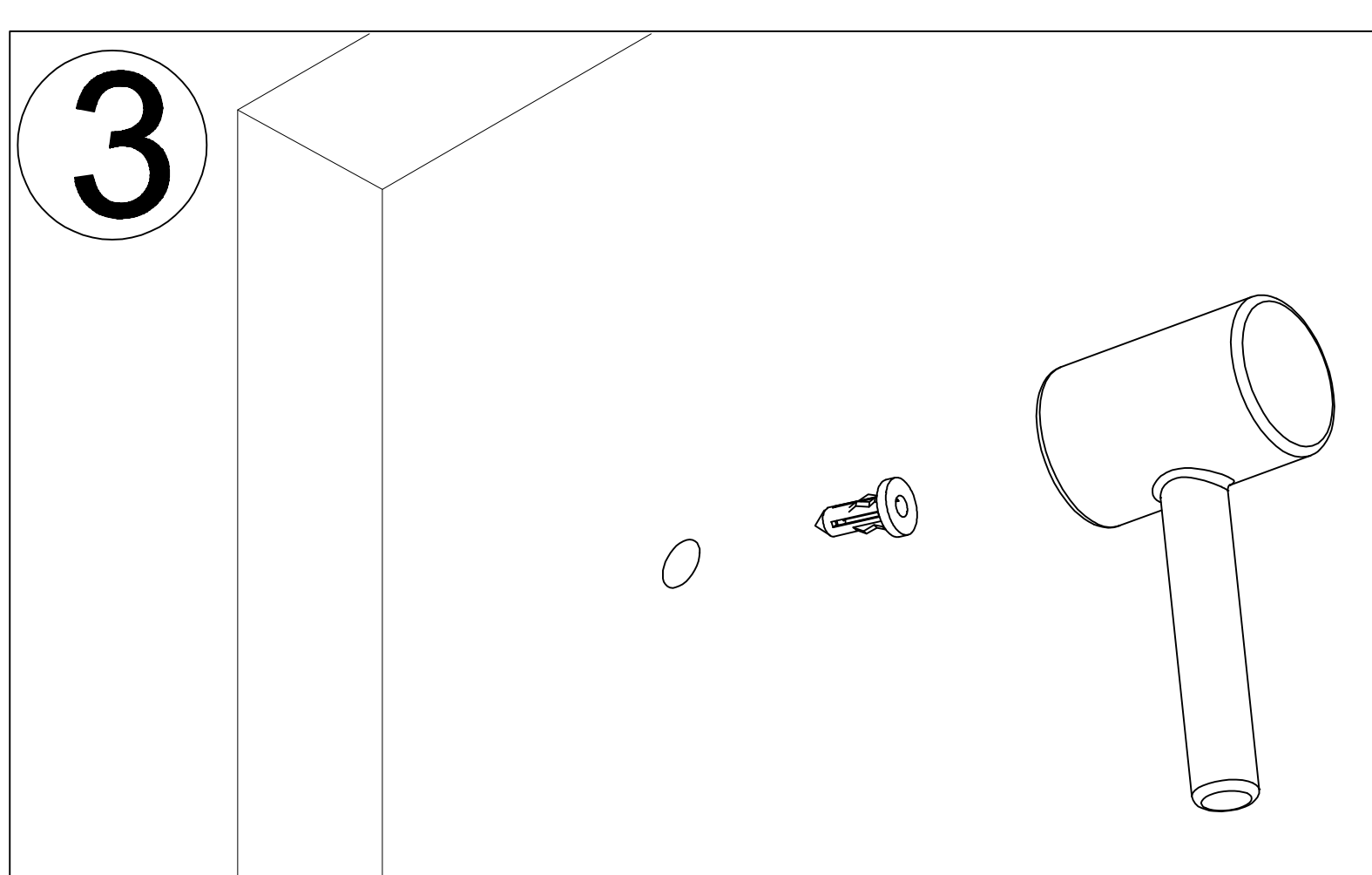
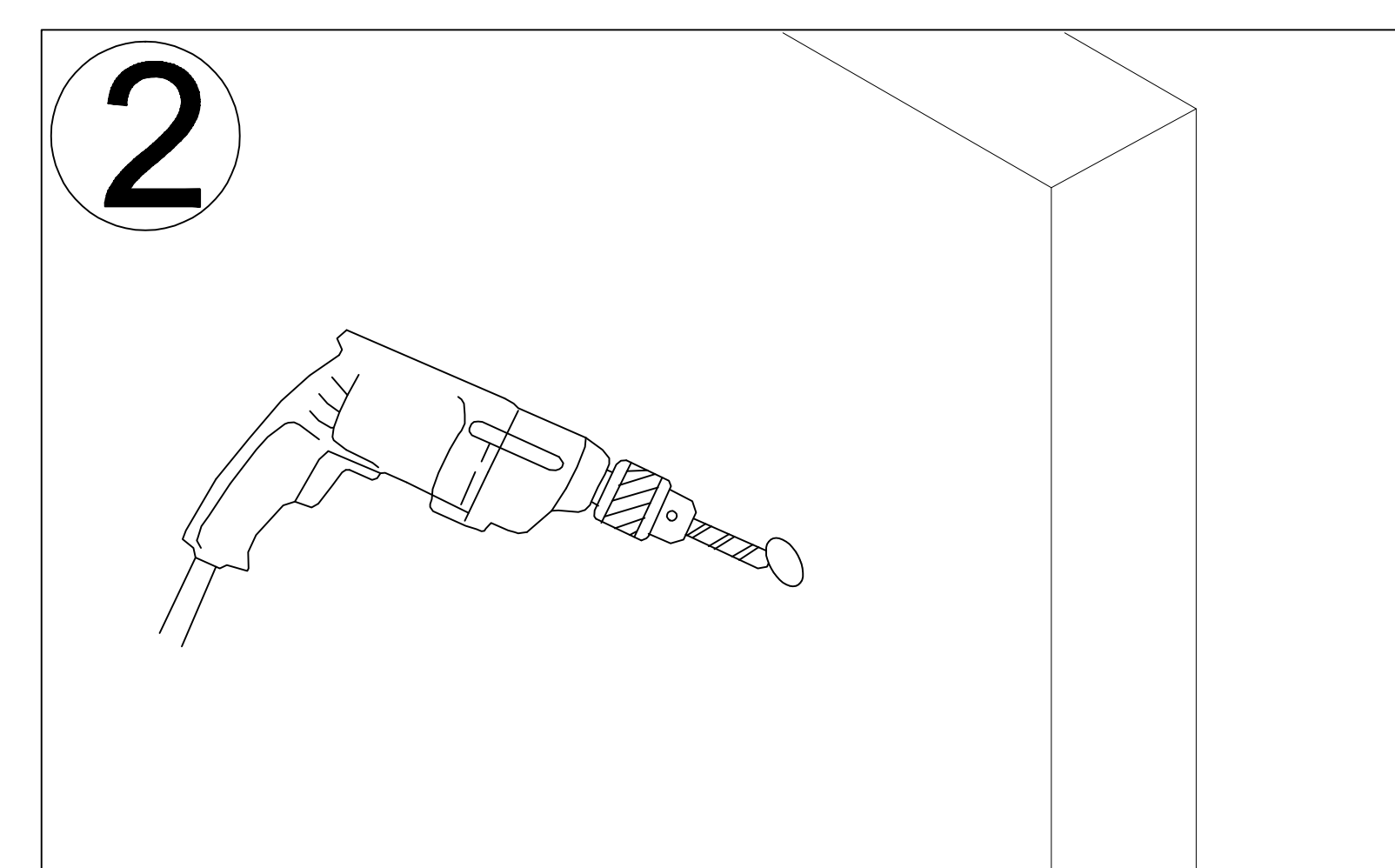
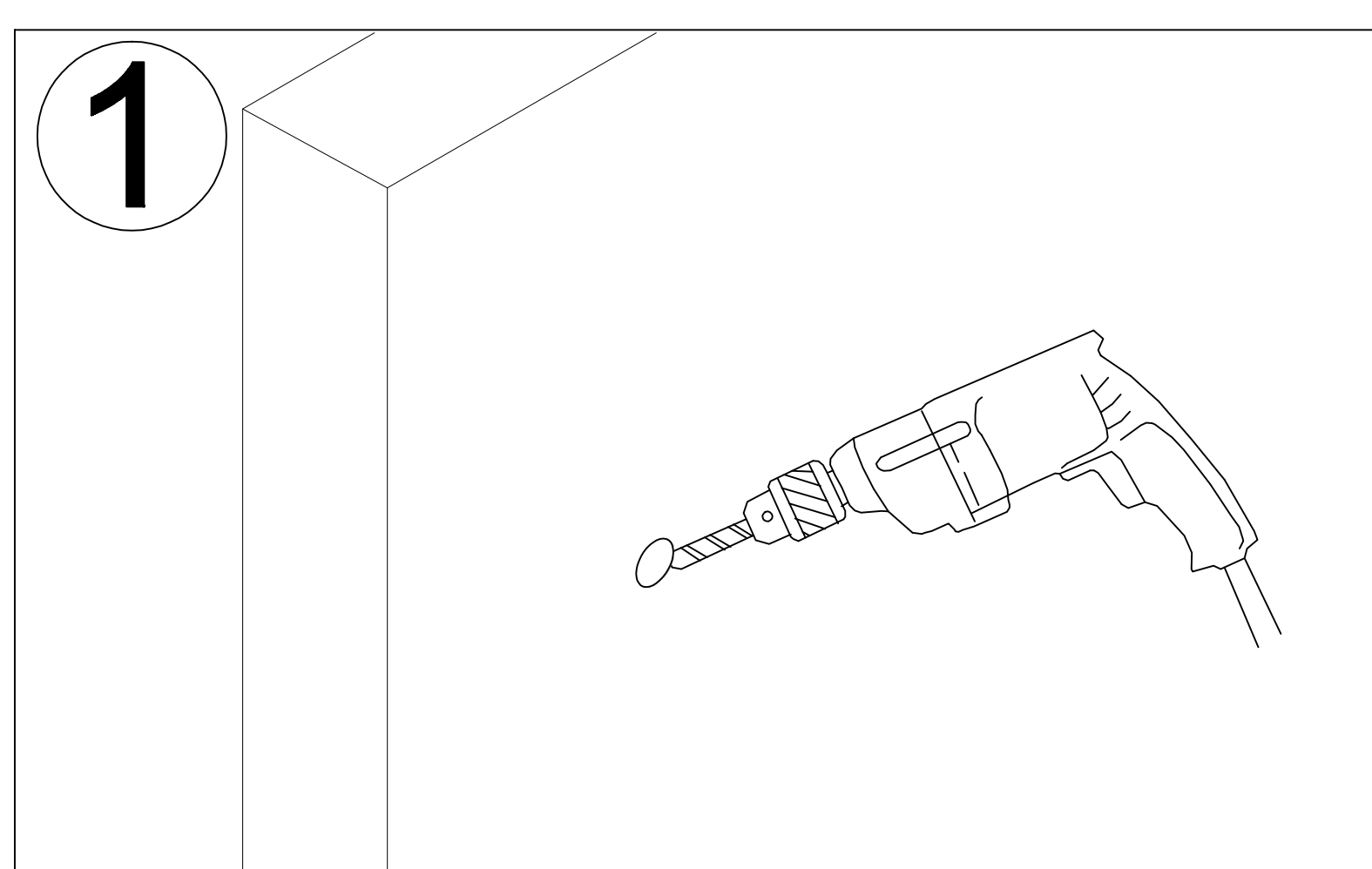
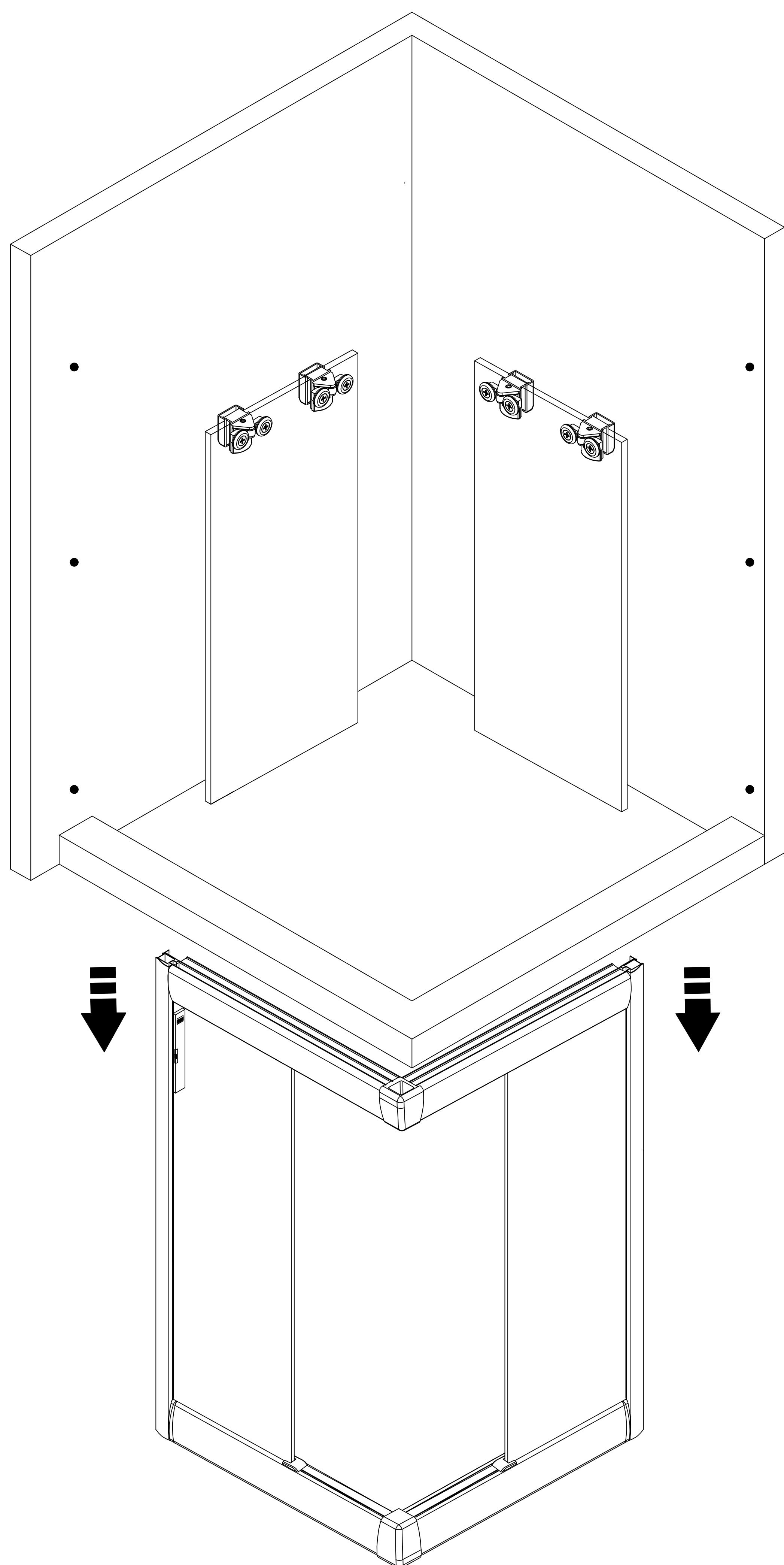
6



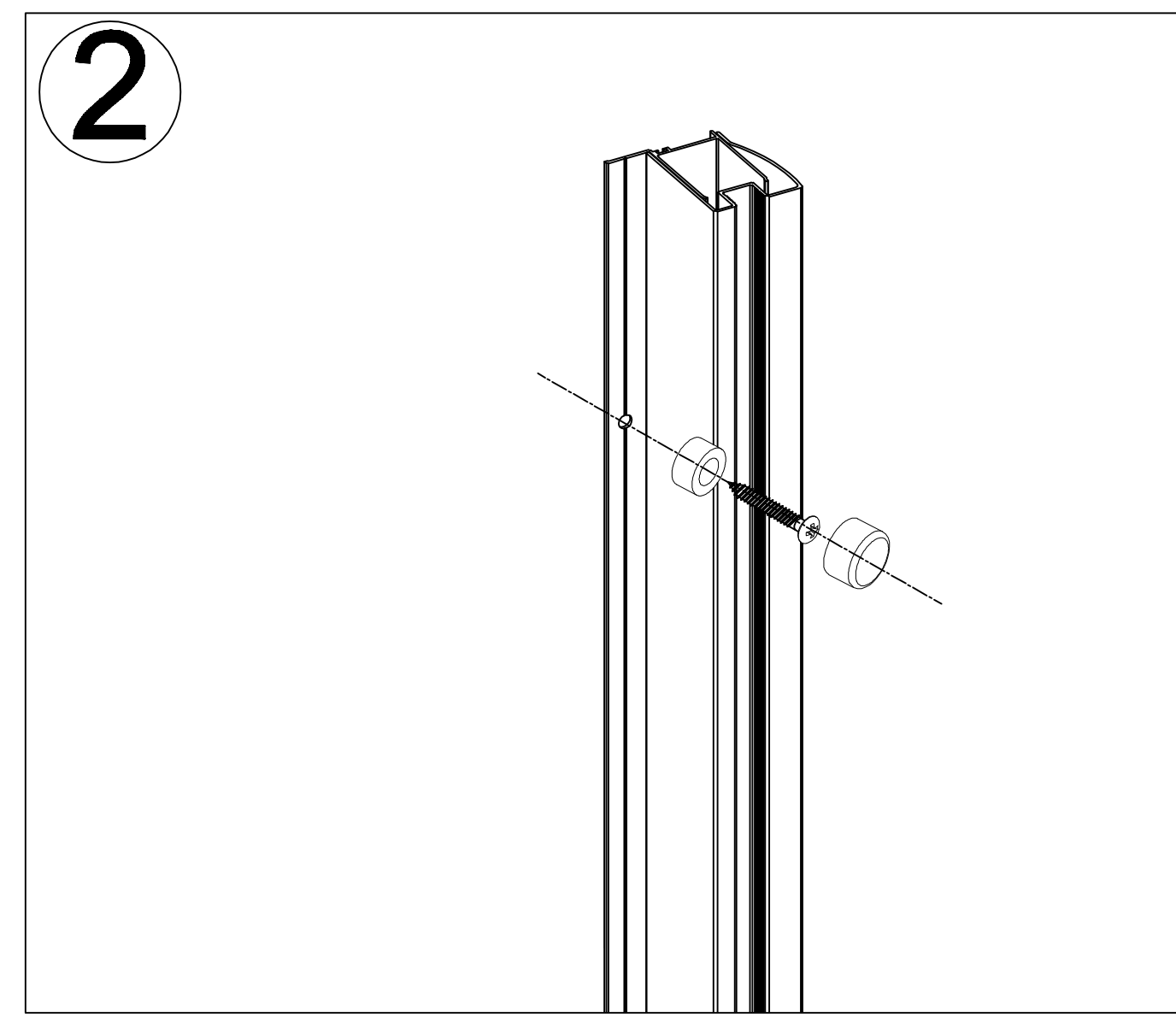
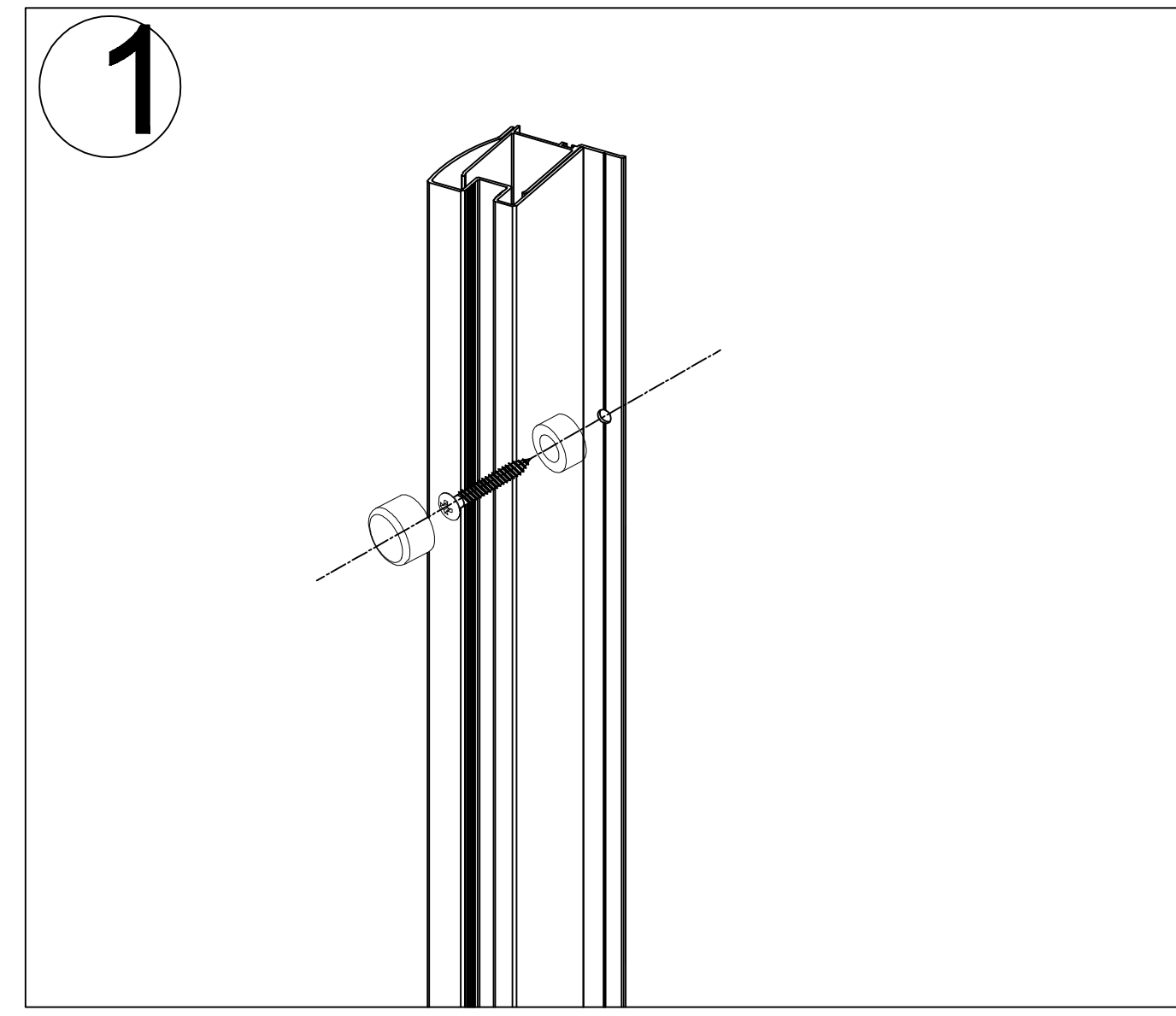
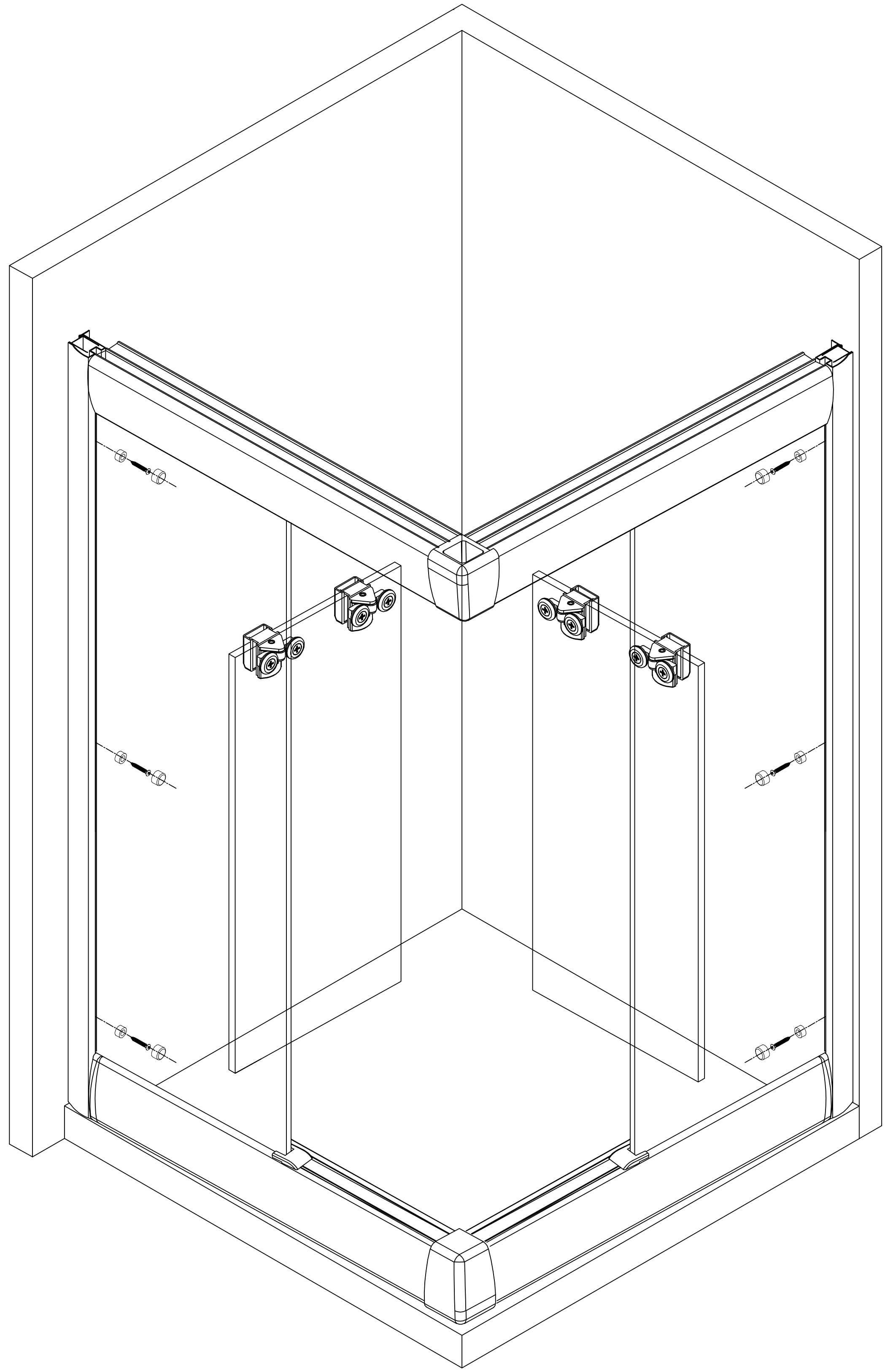
7



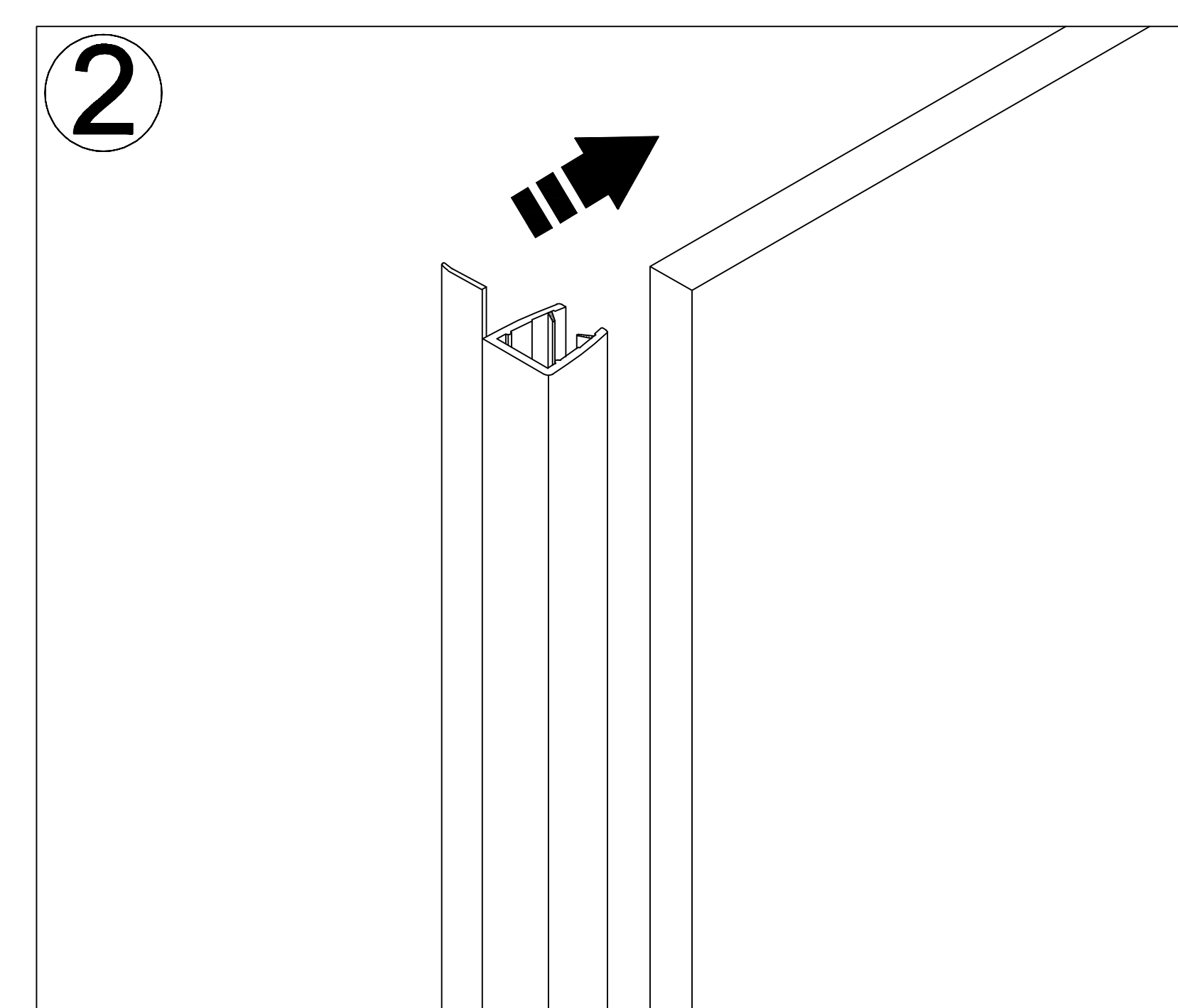
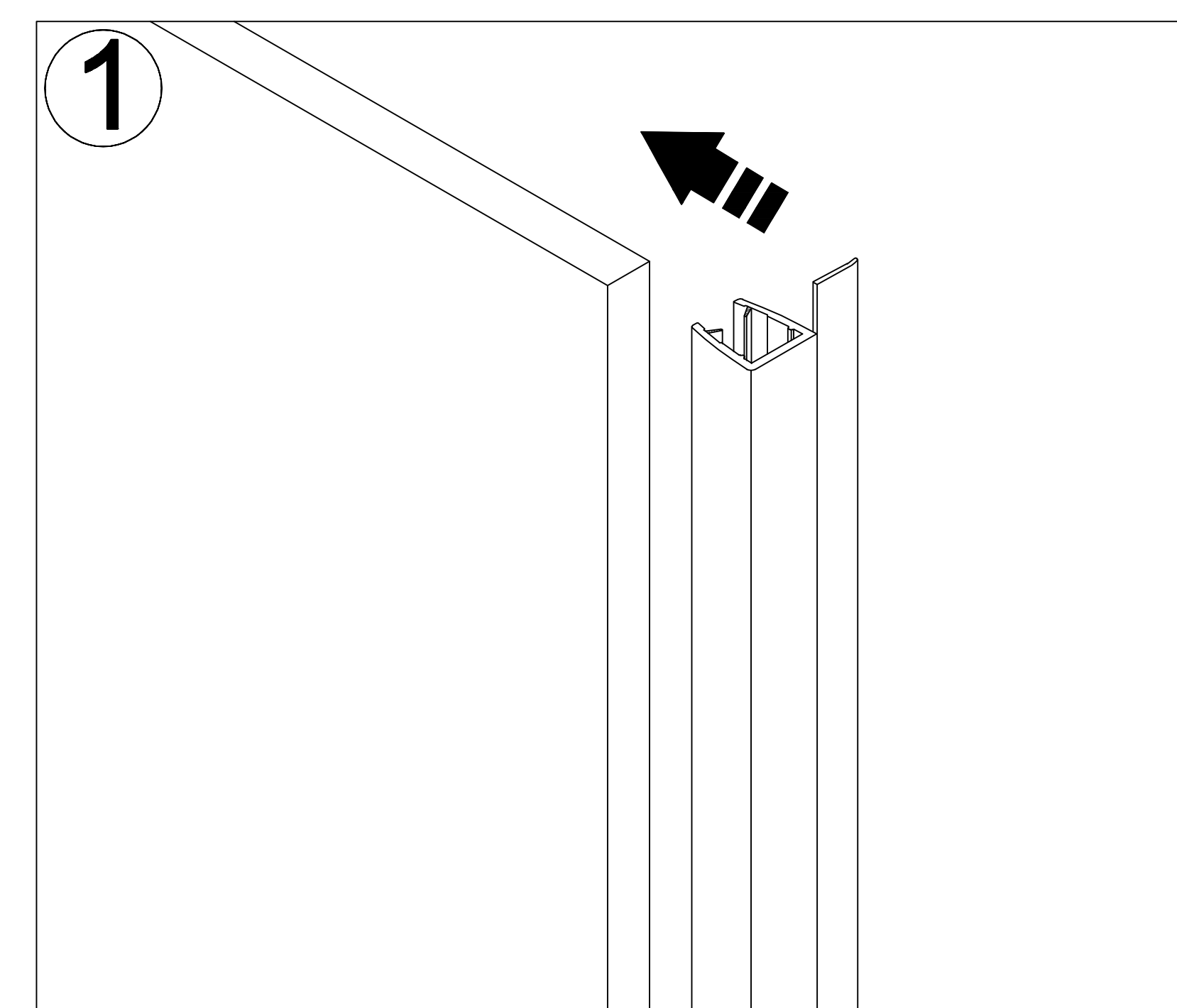
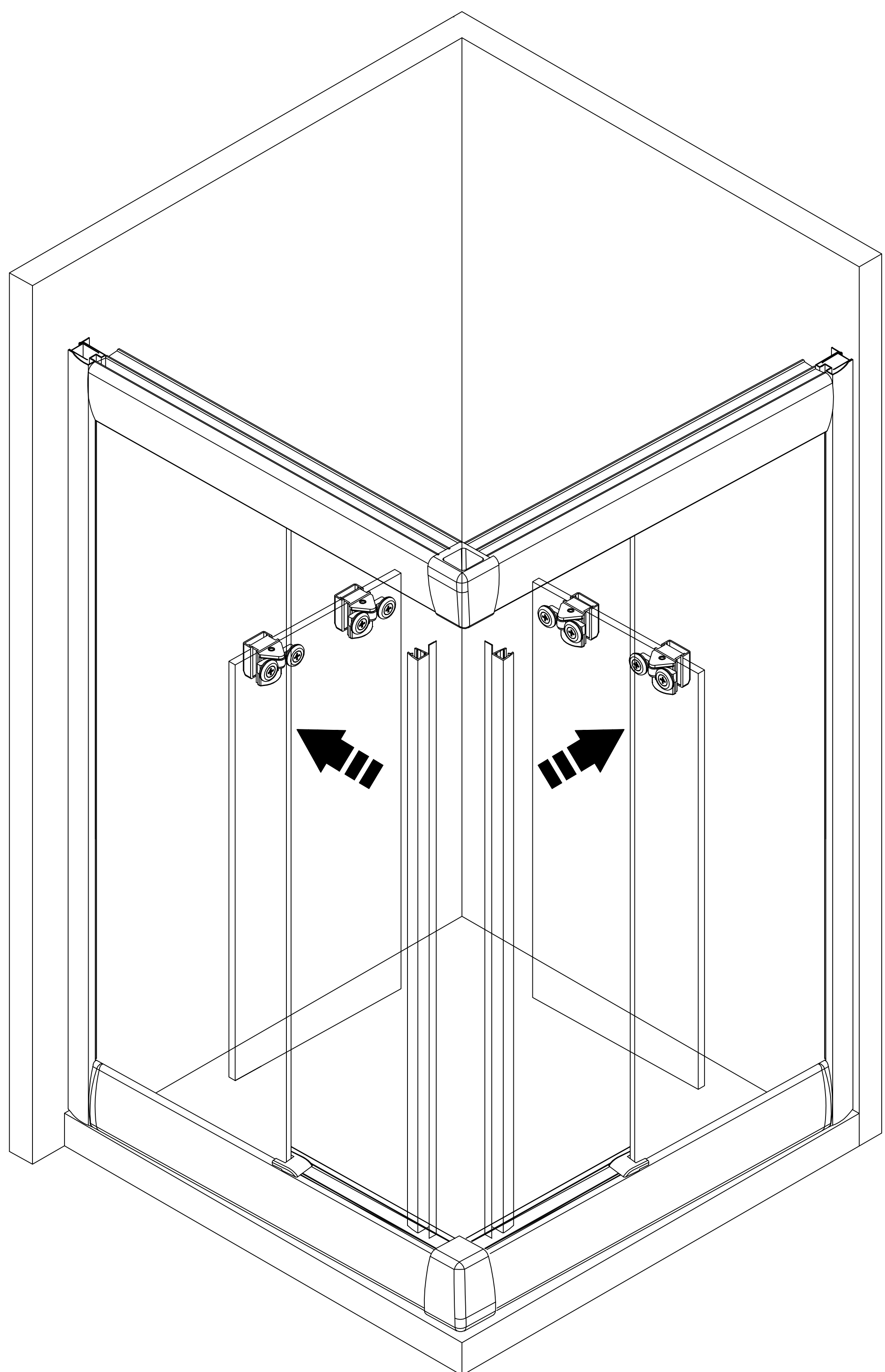
8



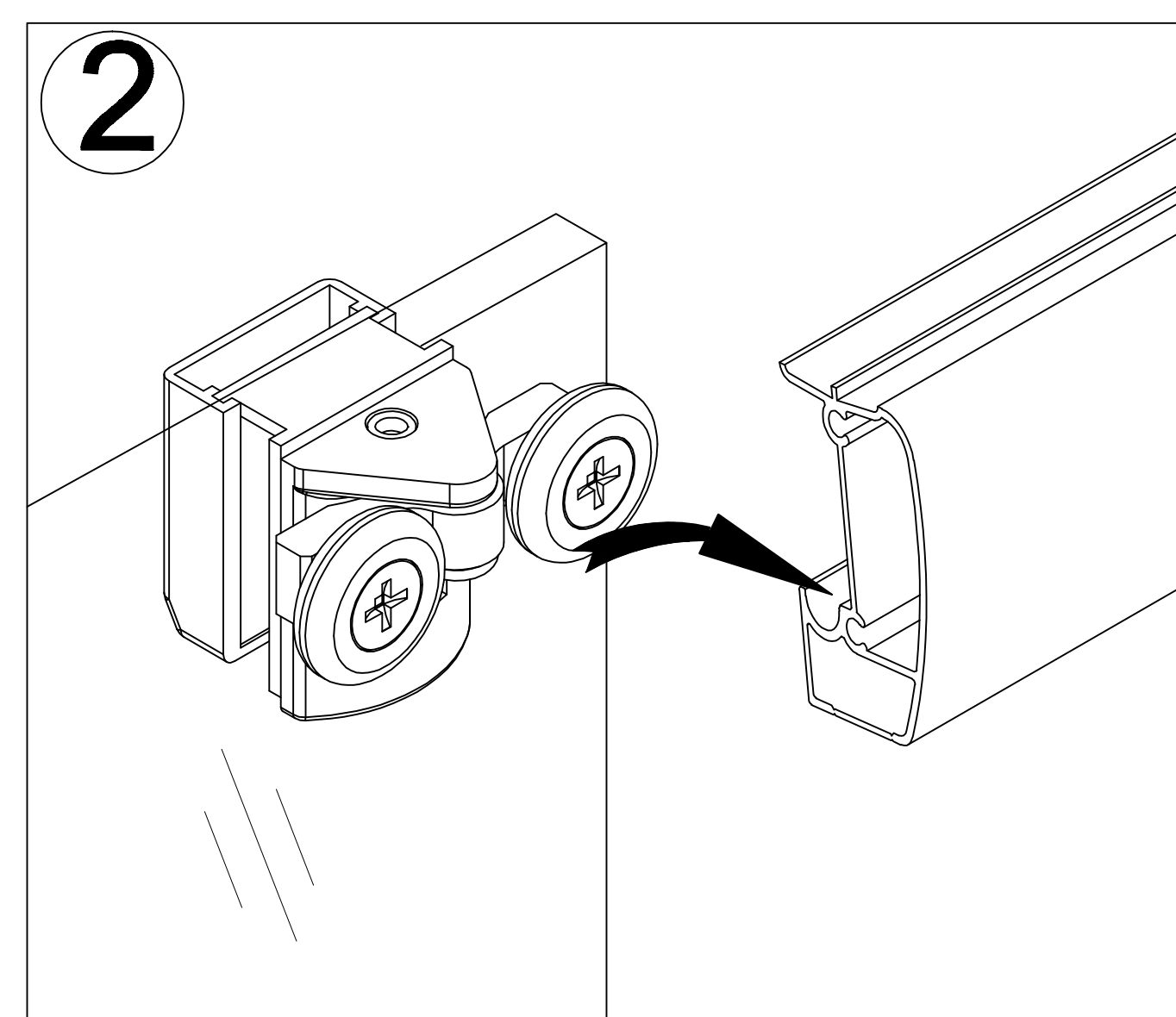
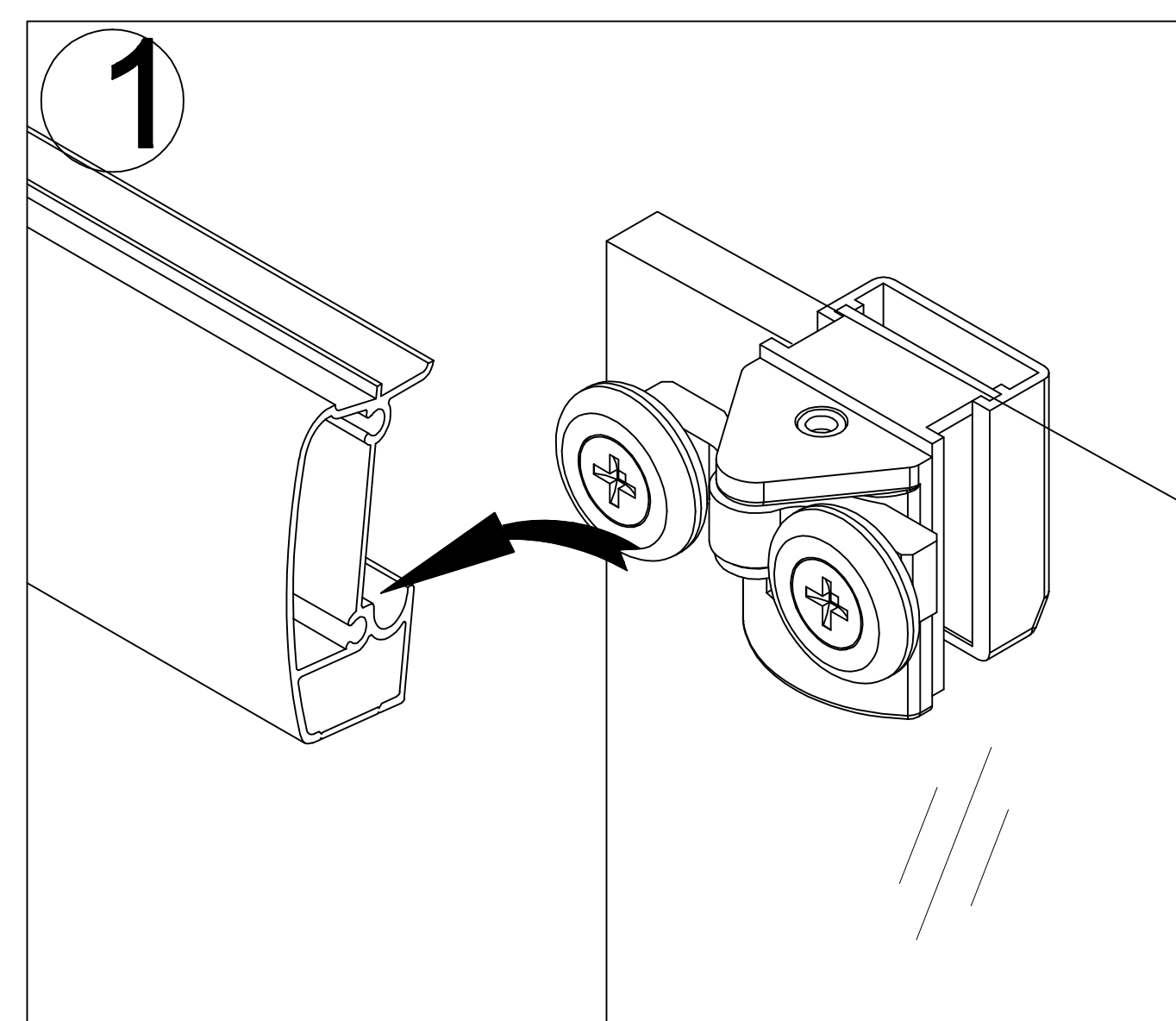
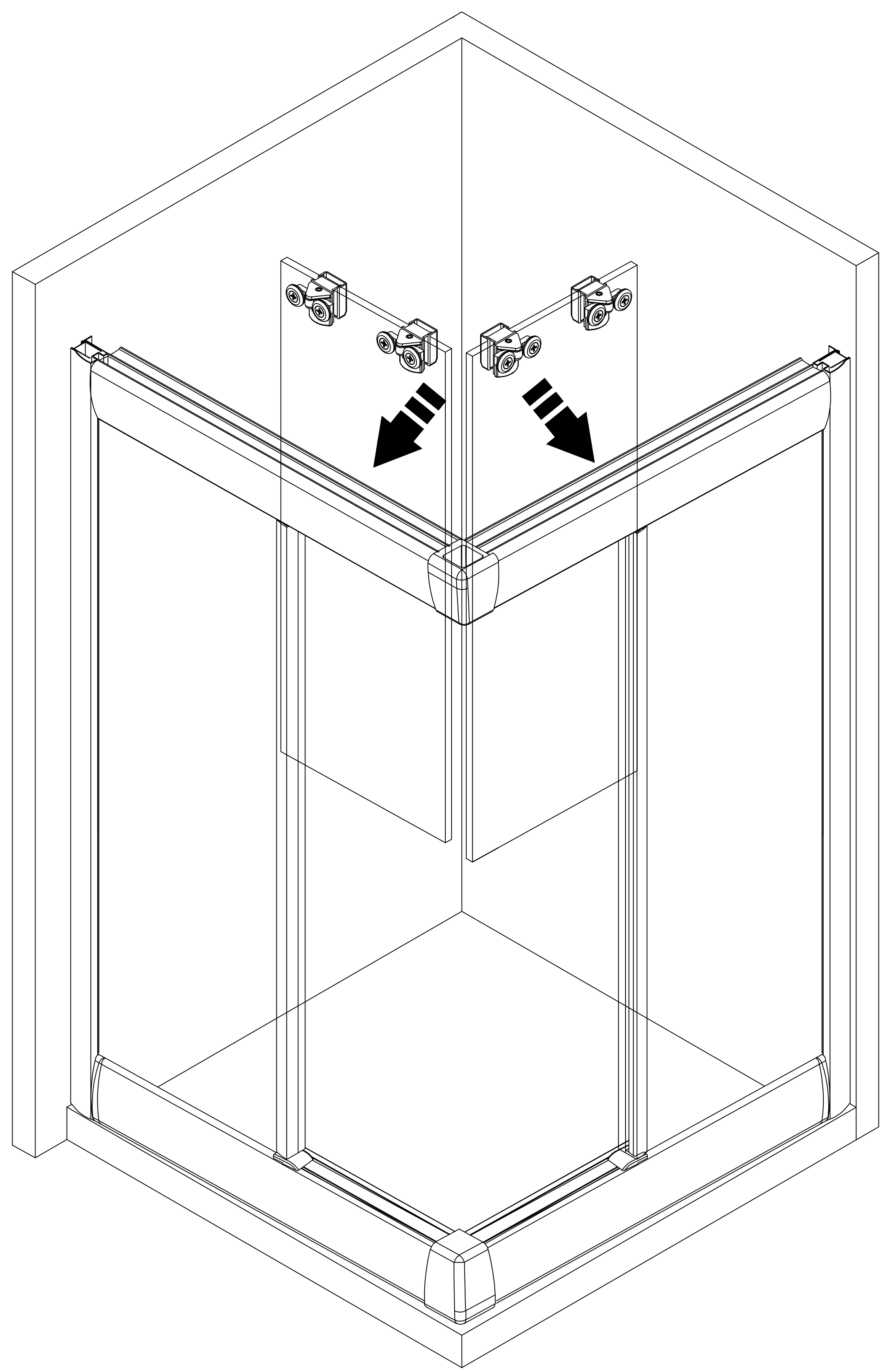
9



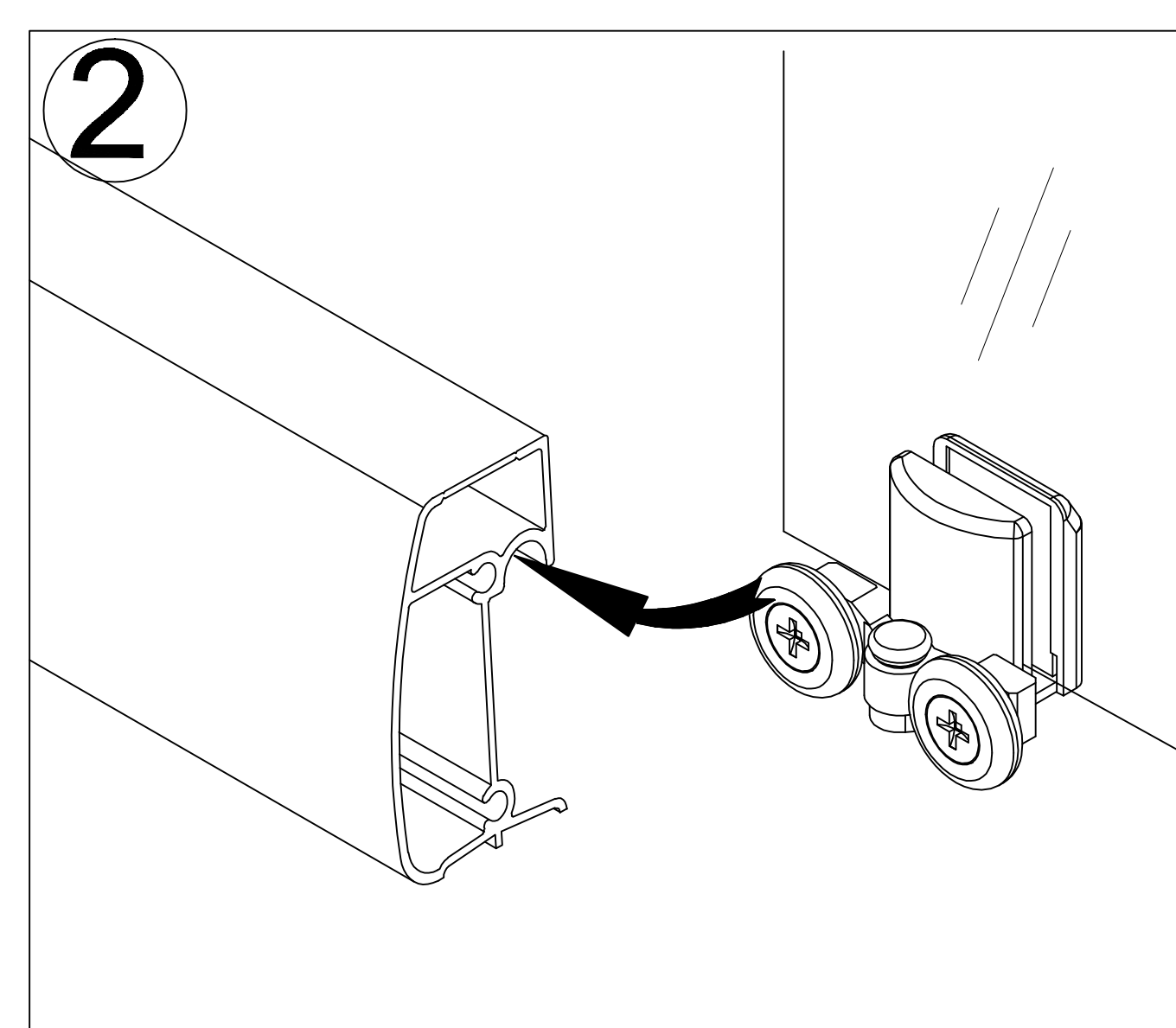
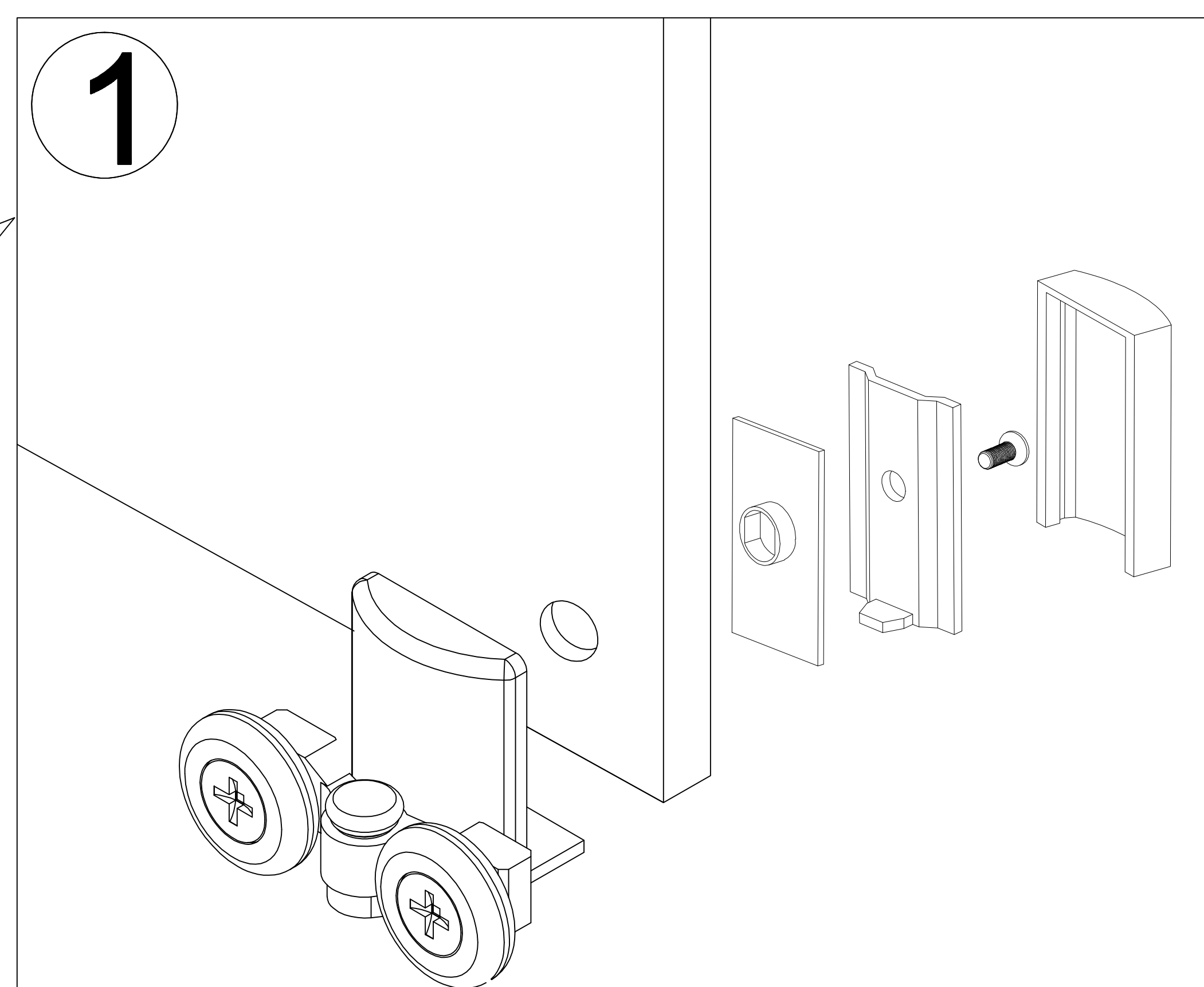
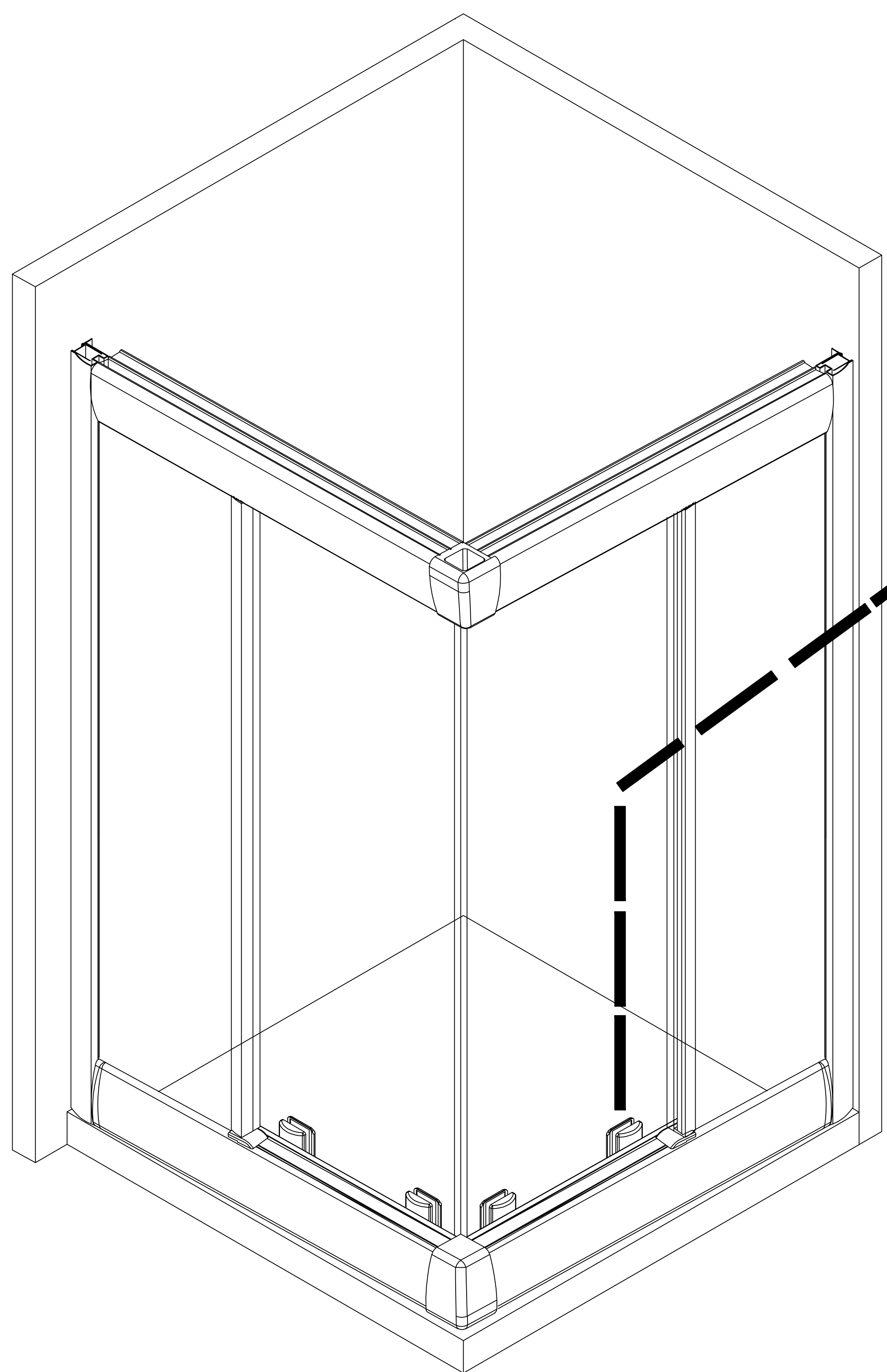
10



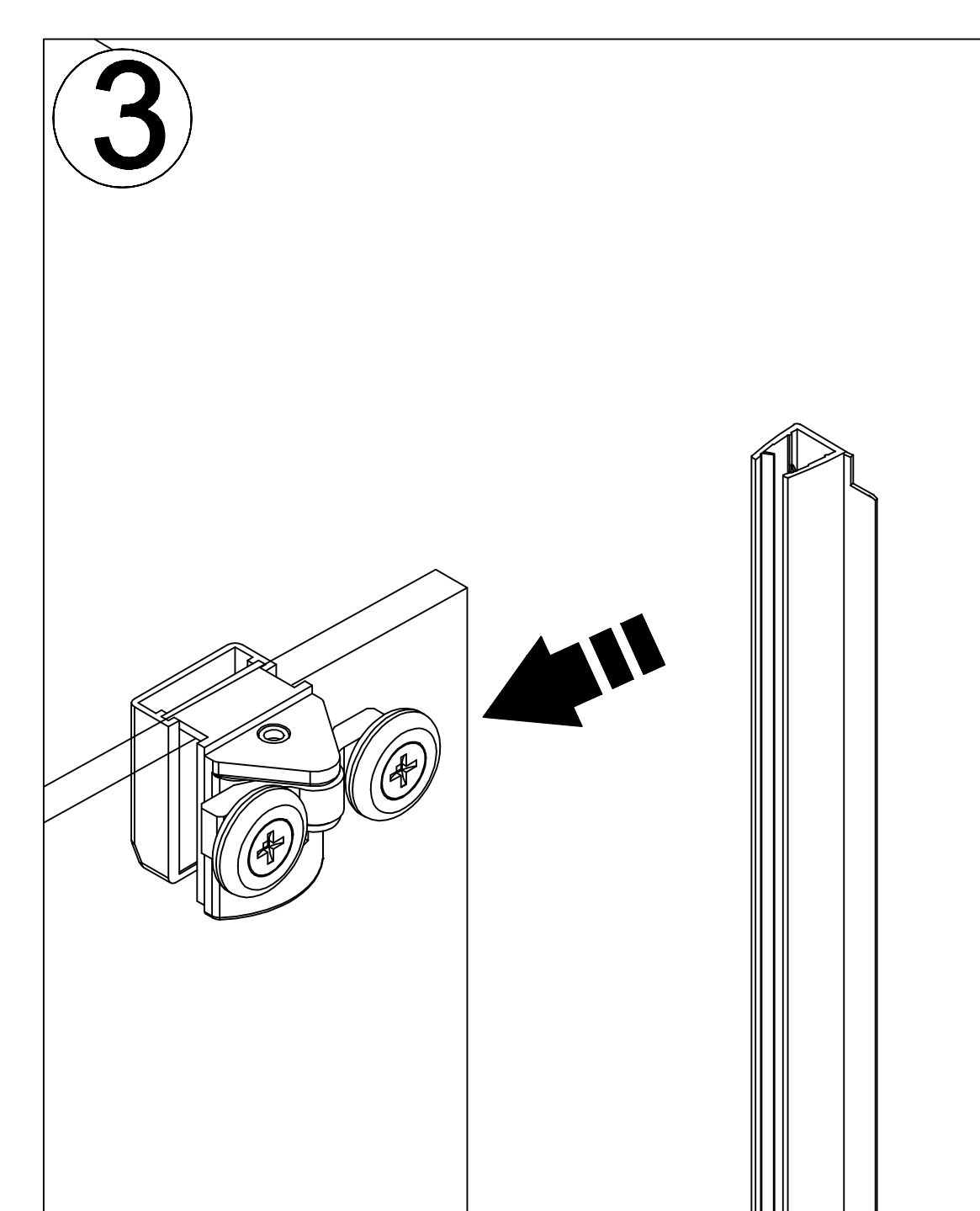
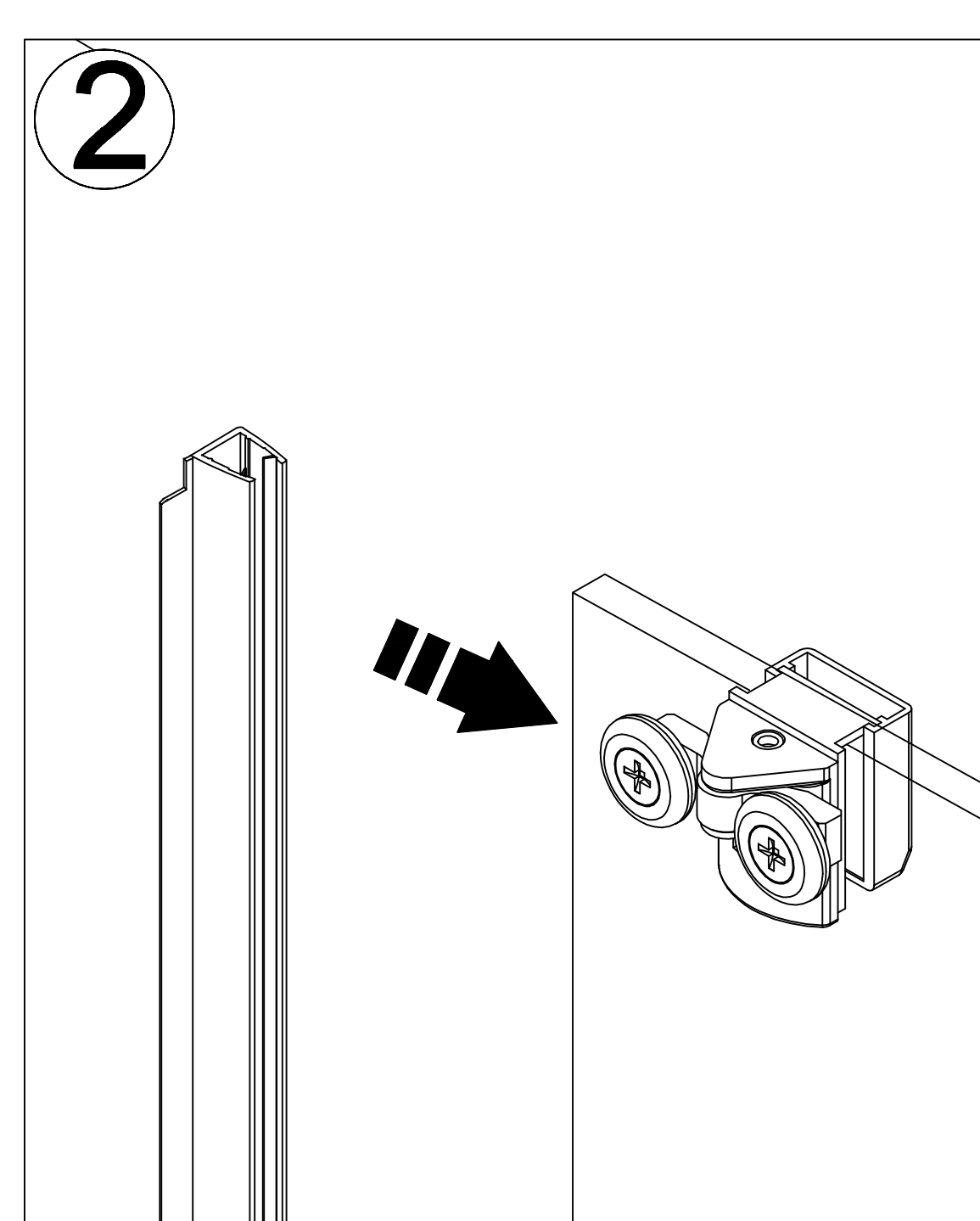
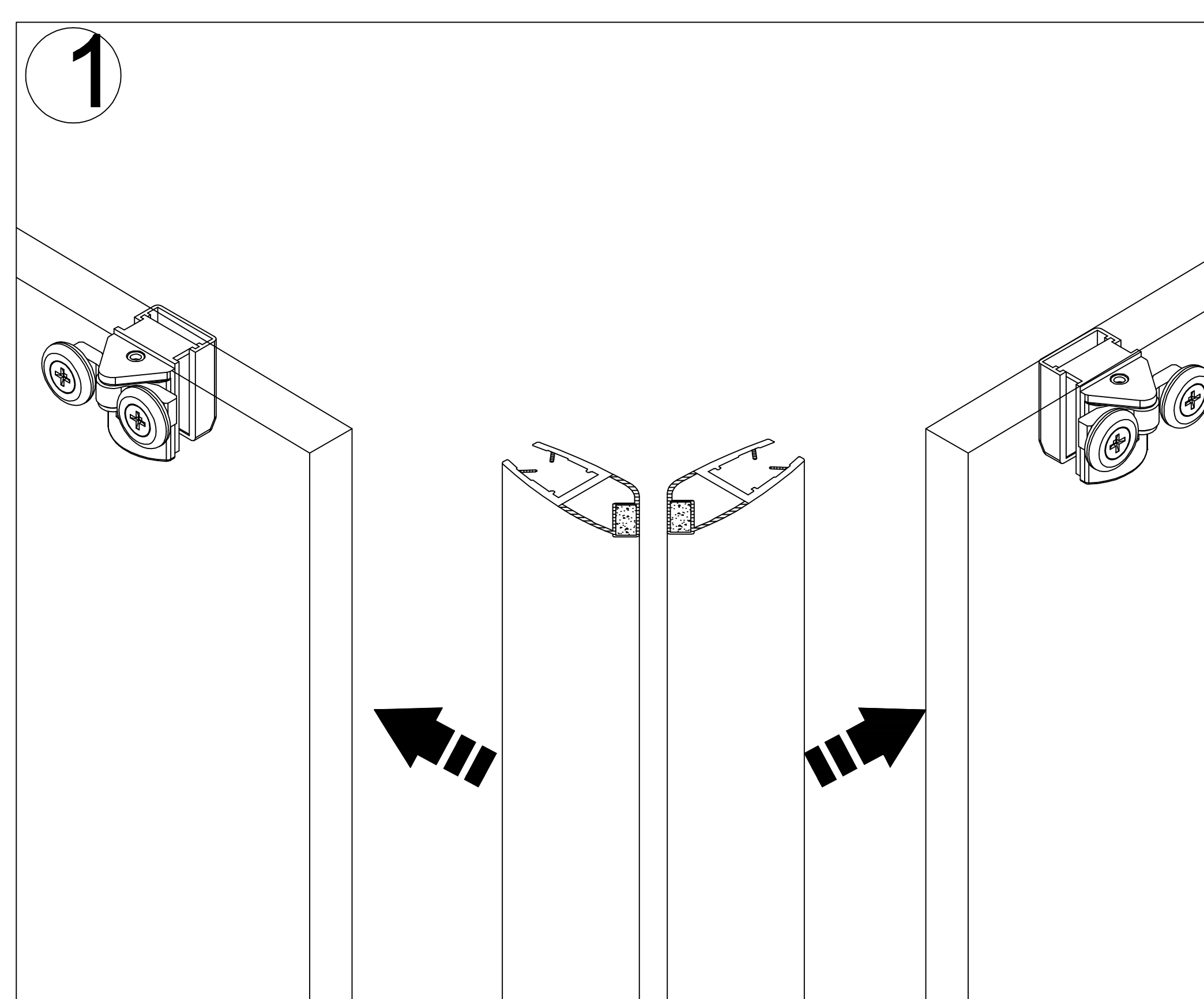
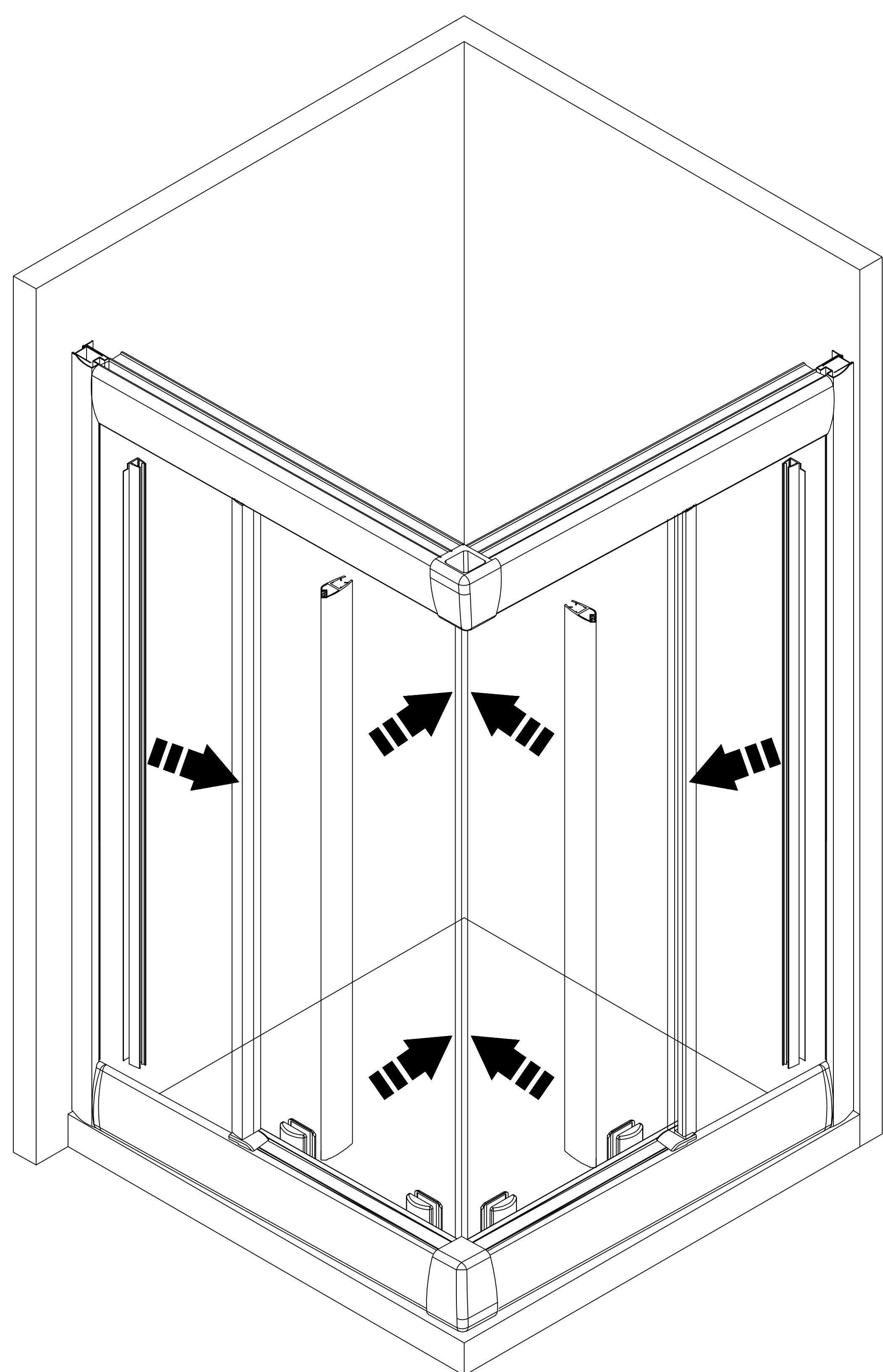
11



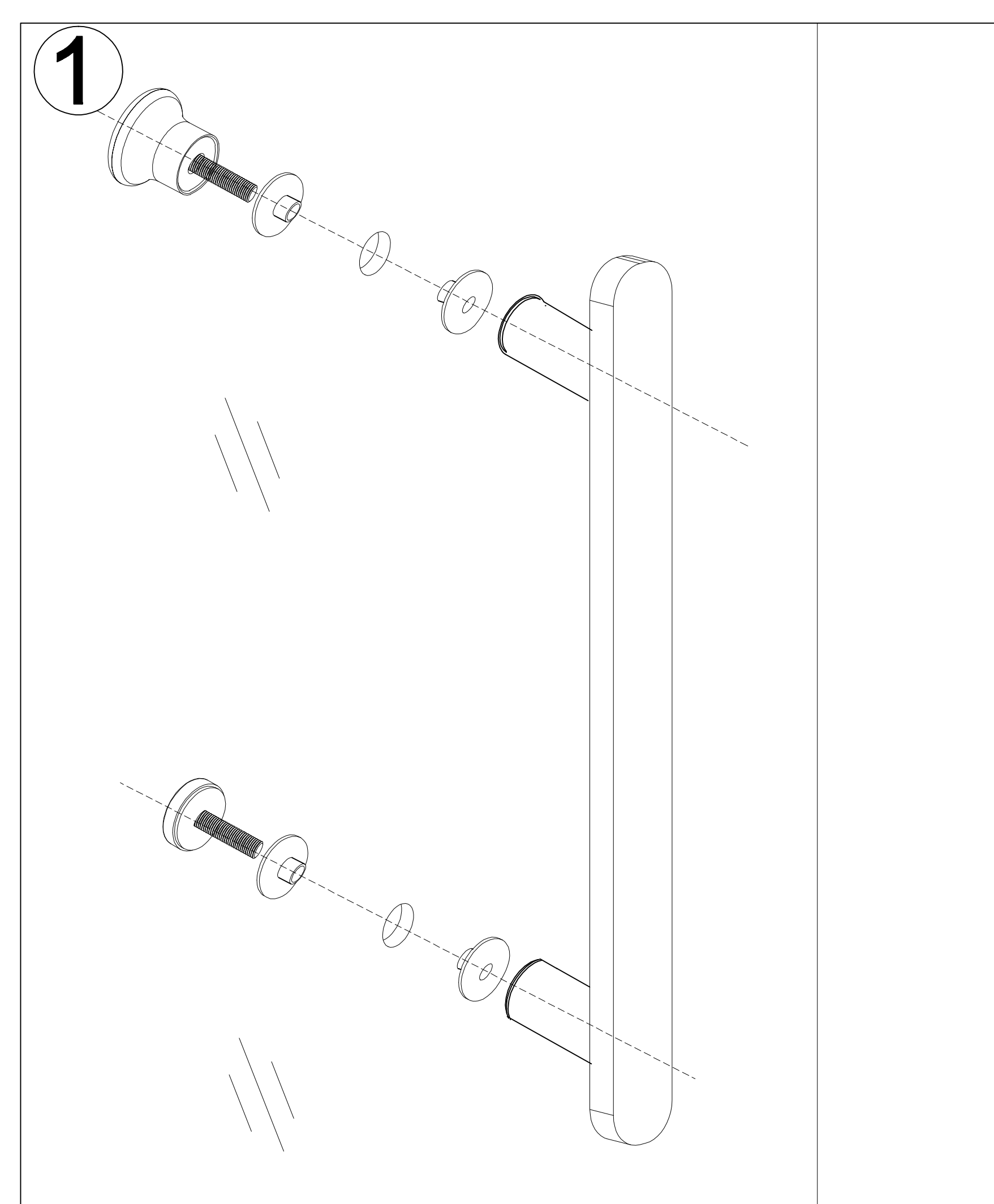
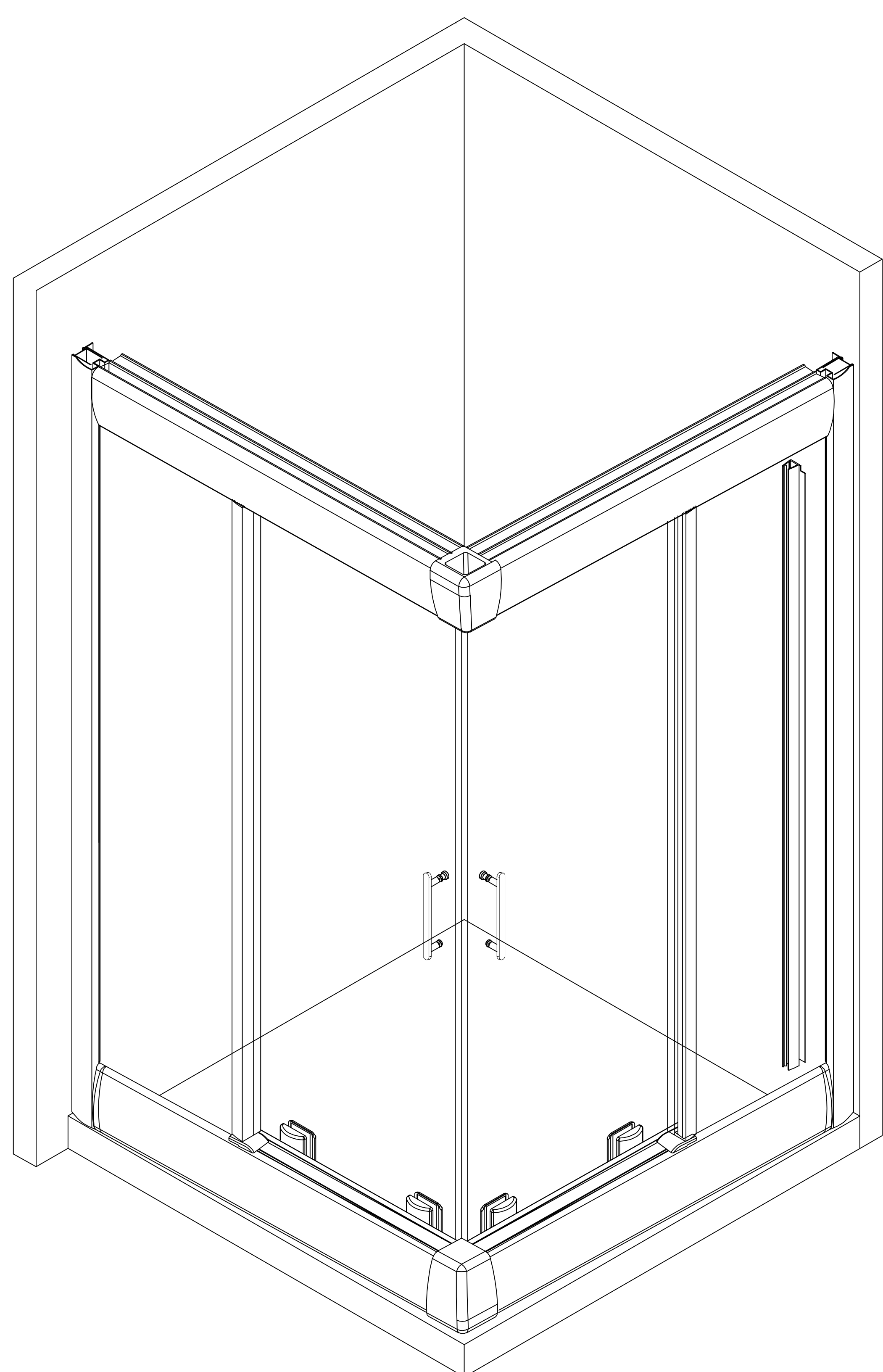
12



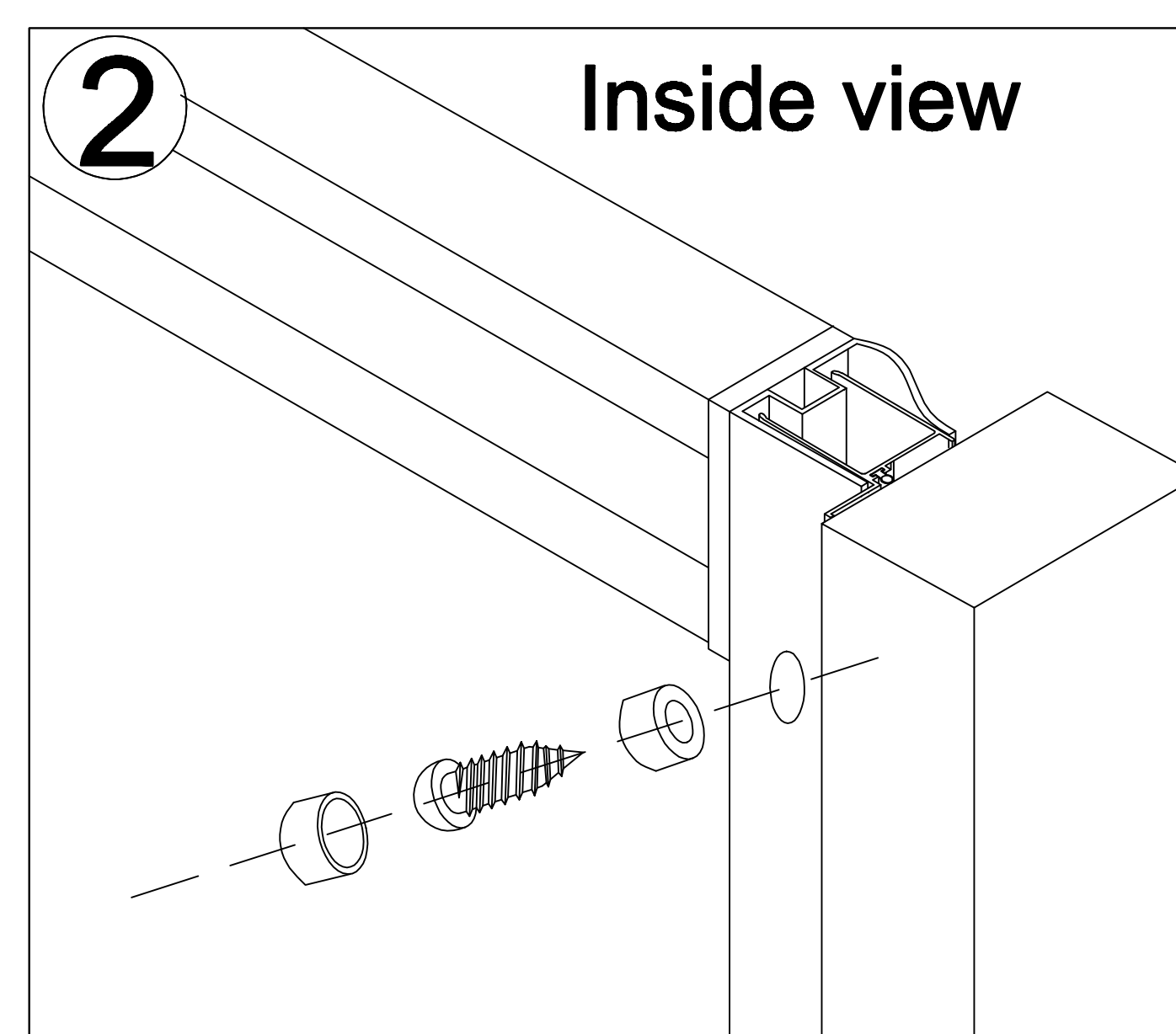
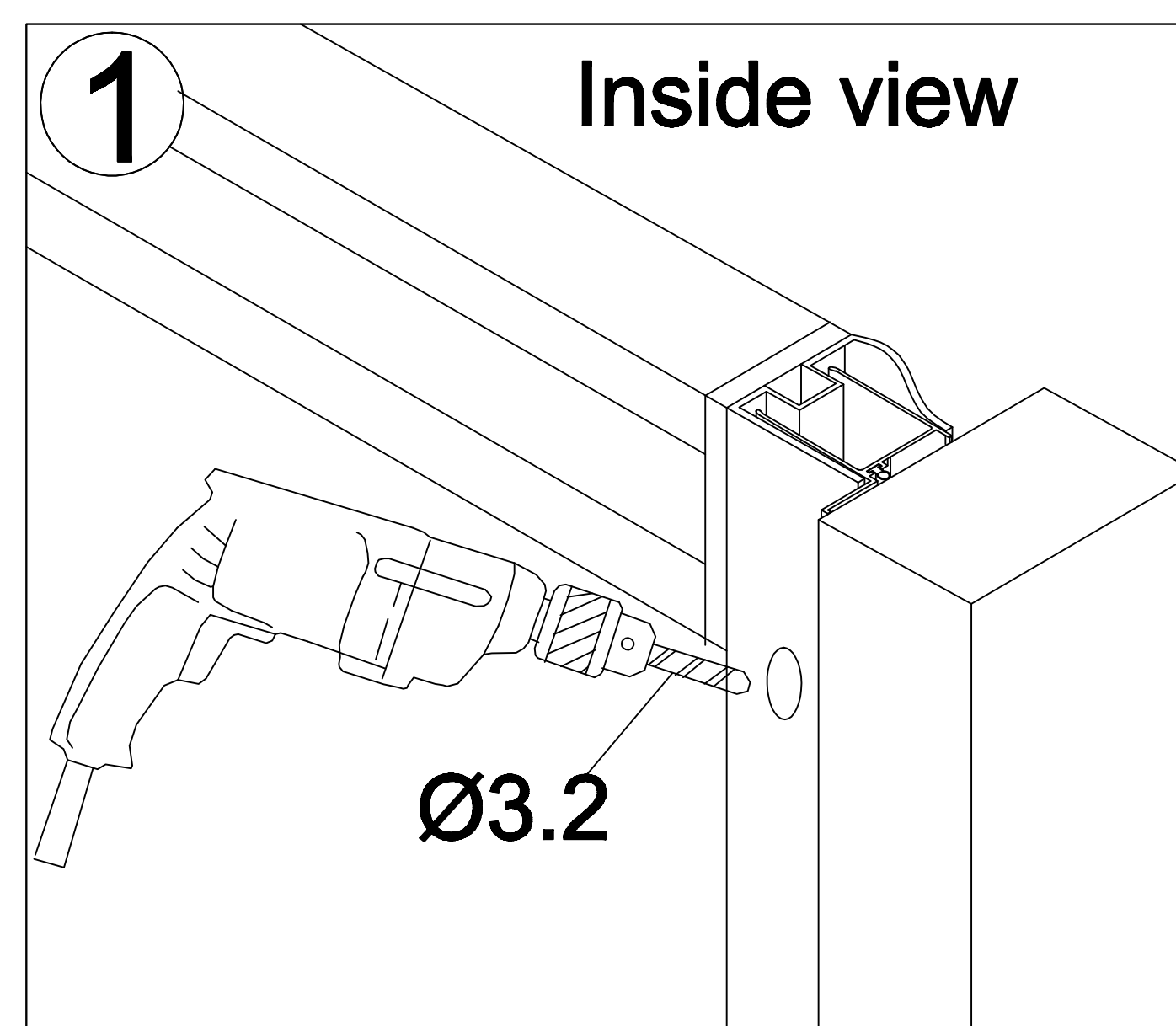
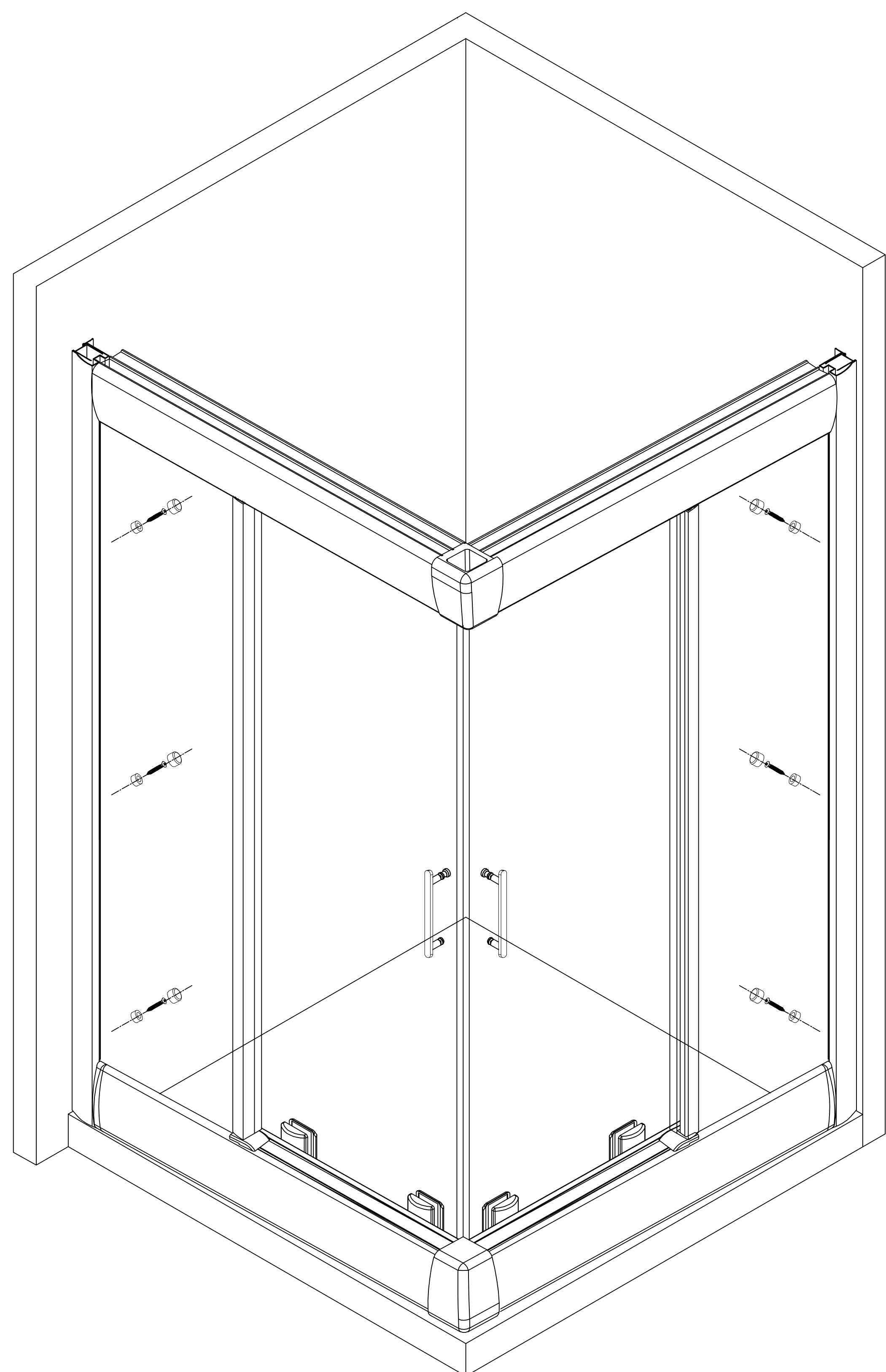
13



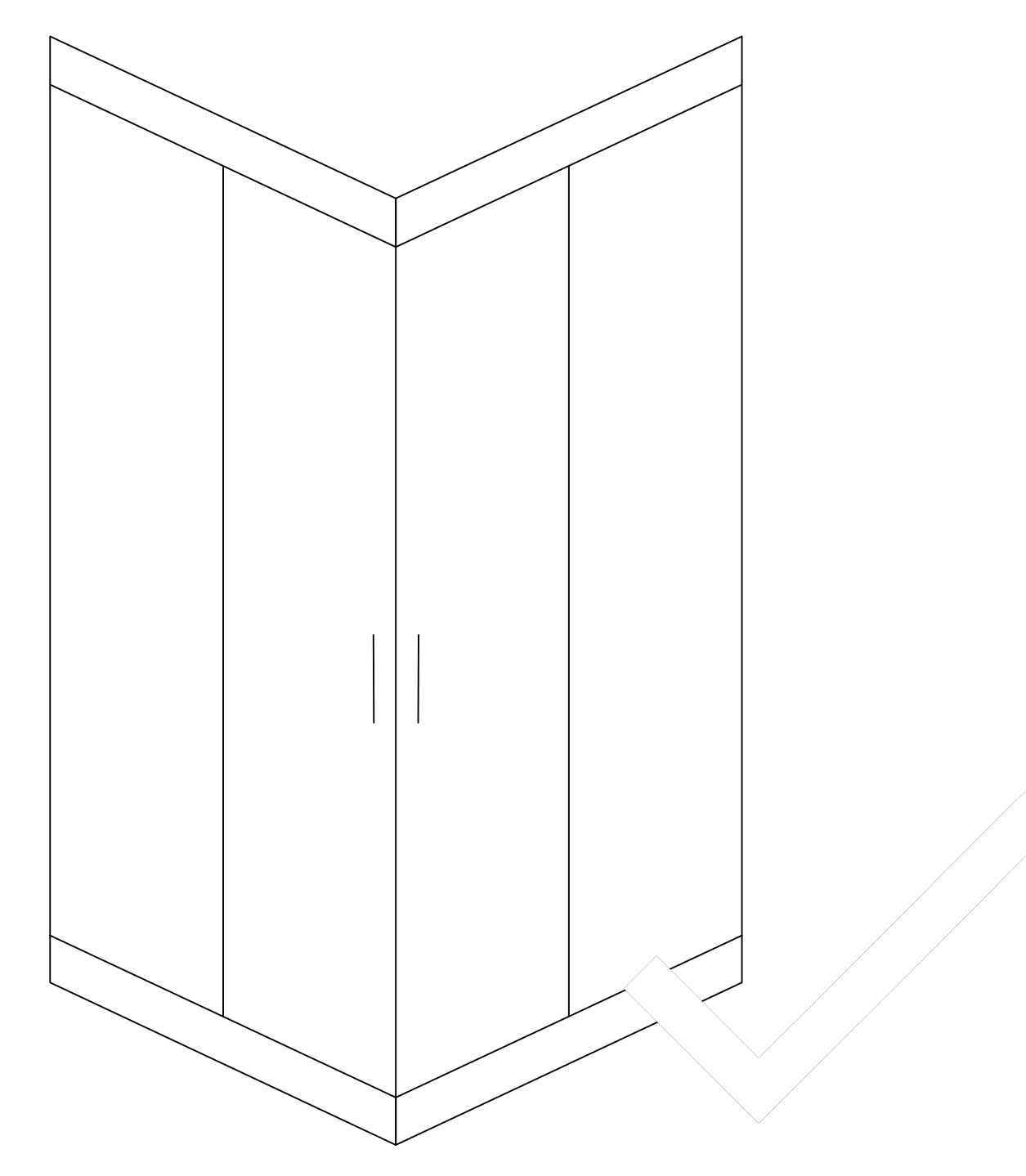
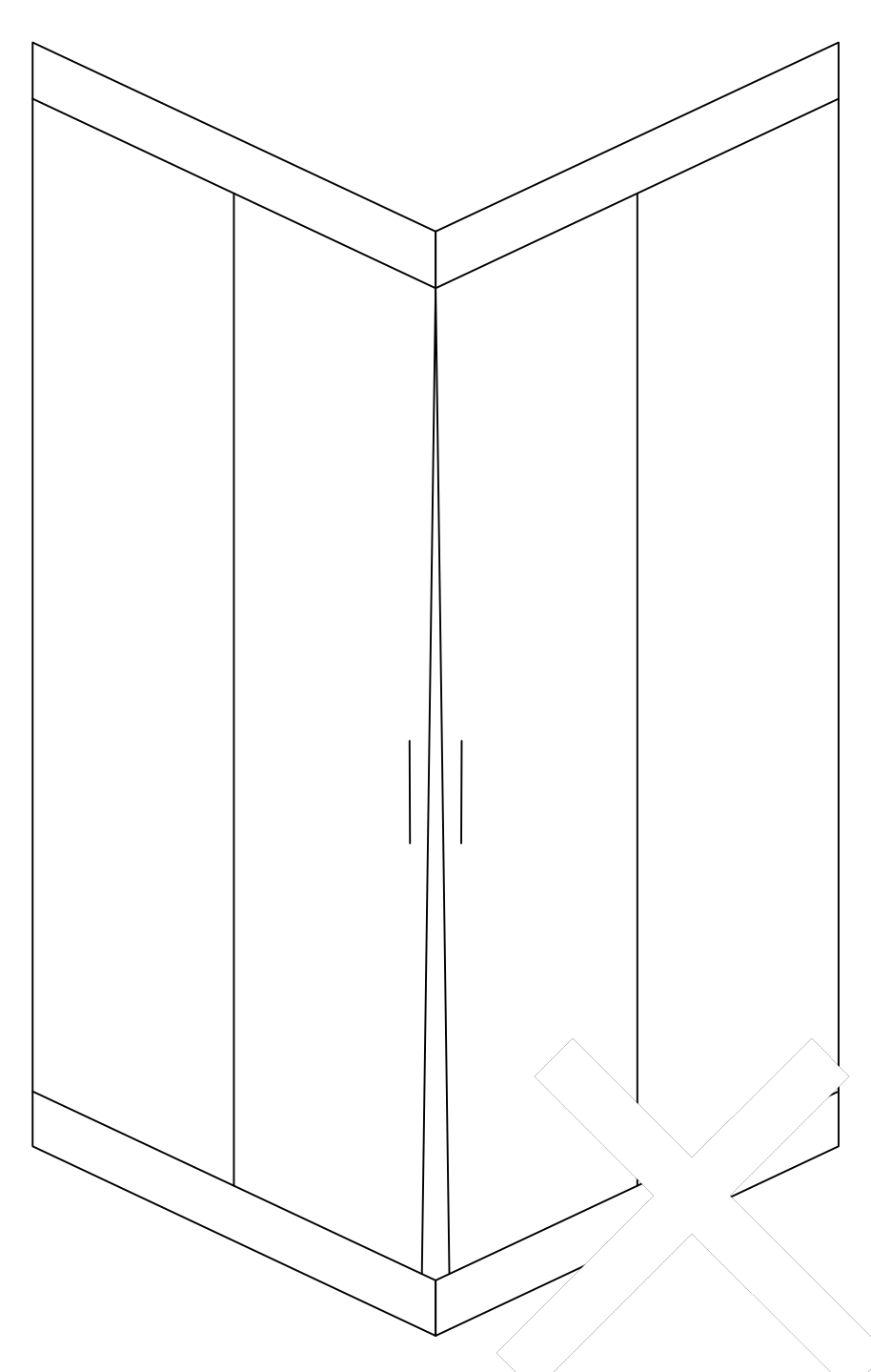
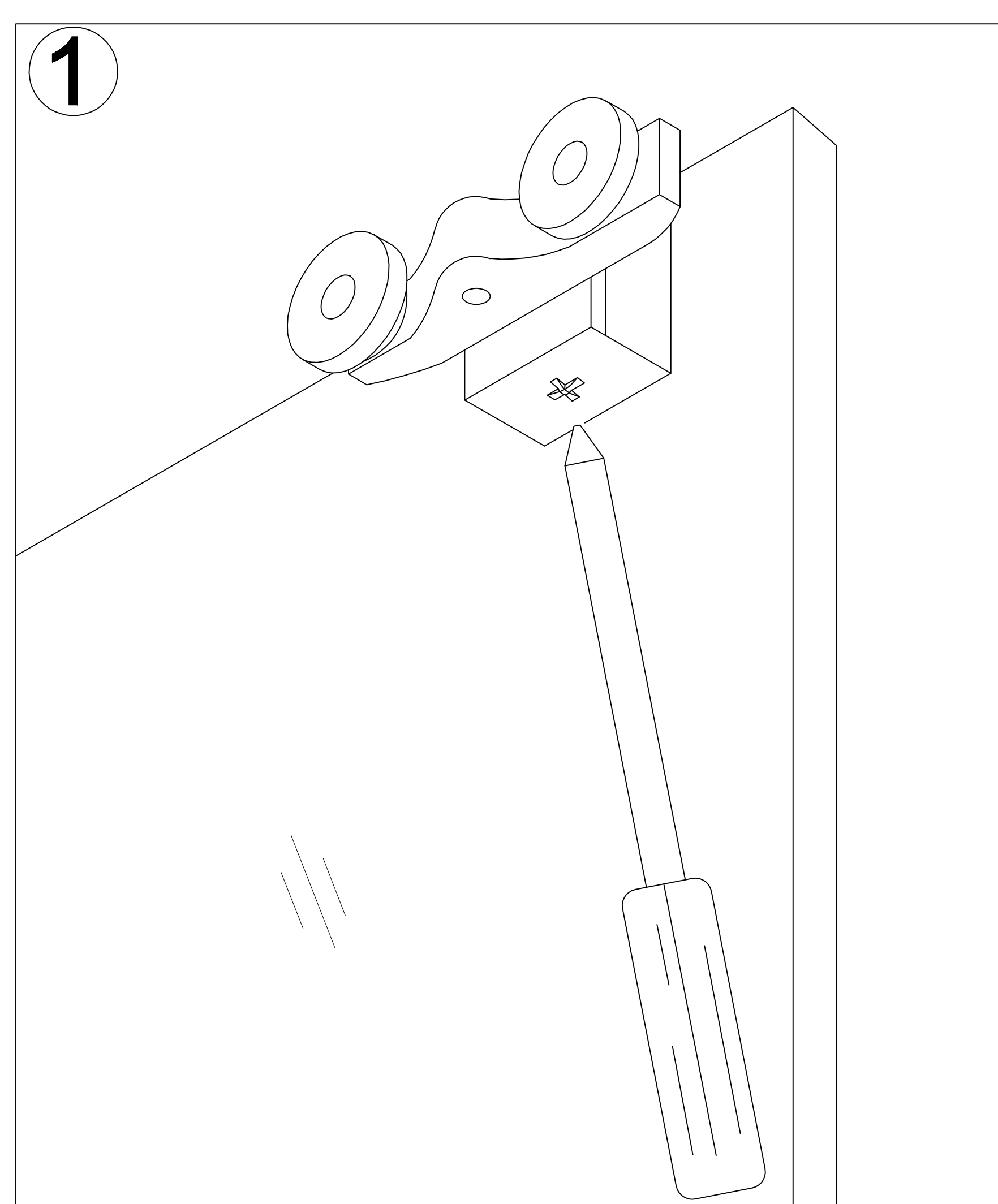
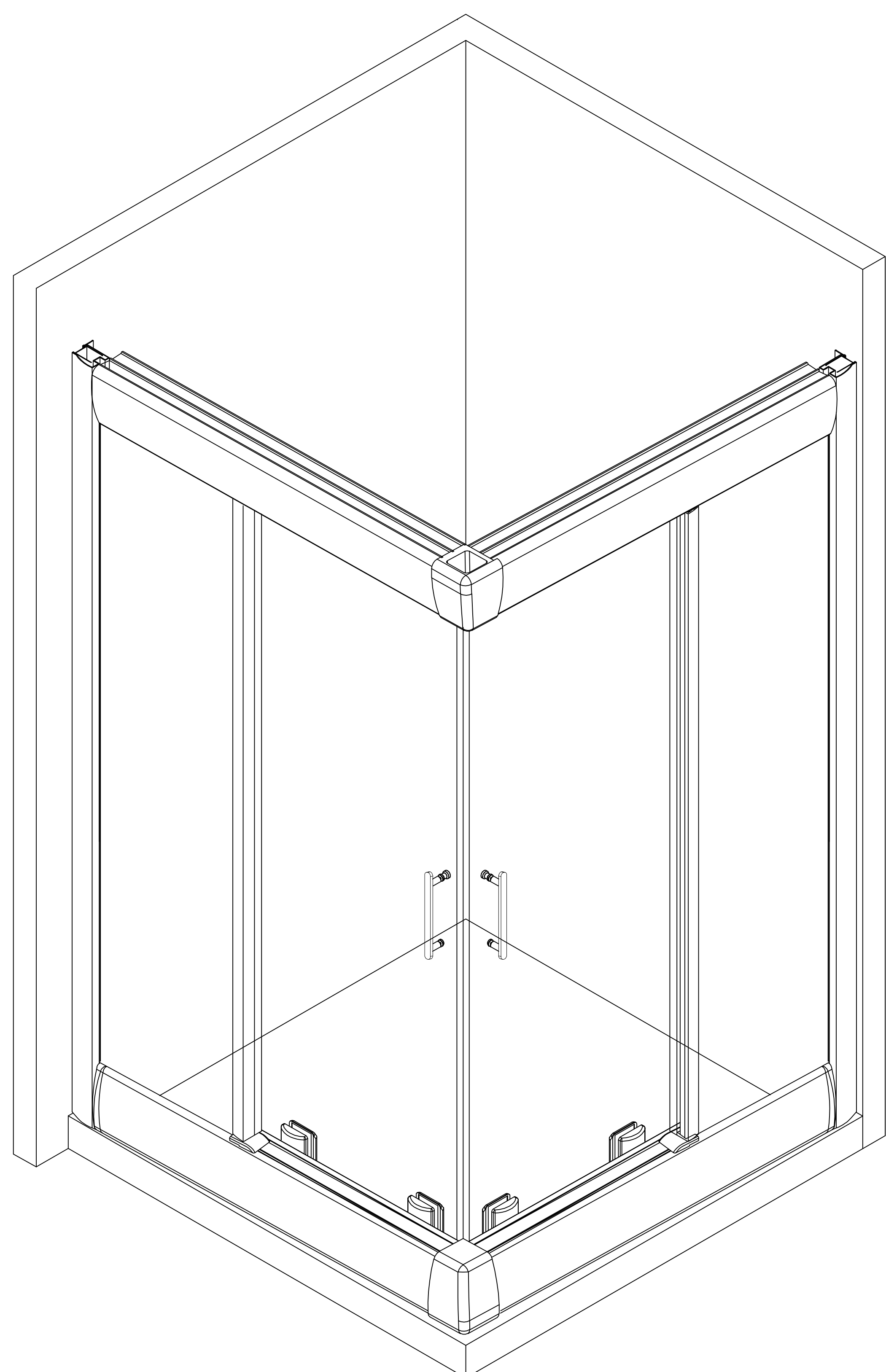
14



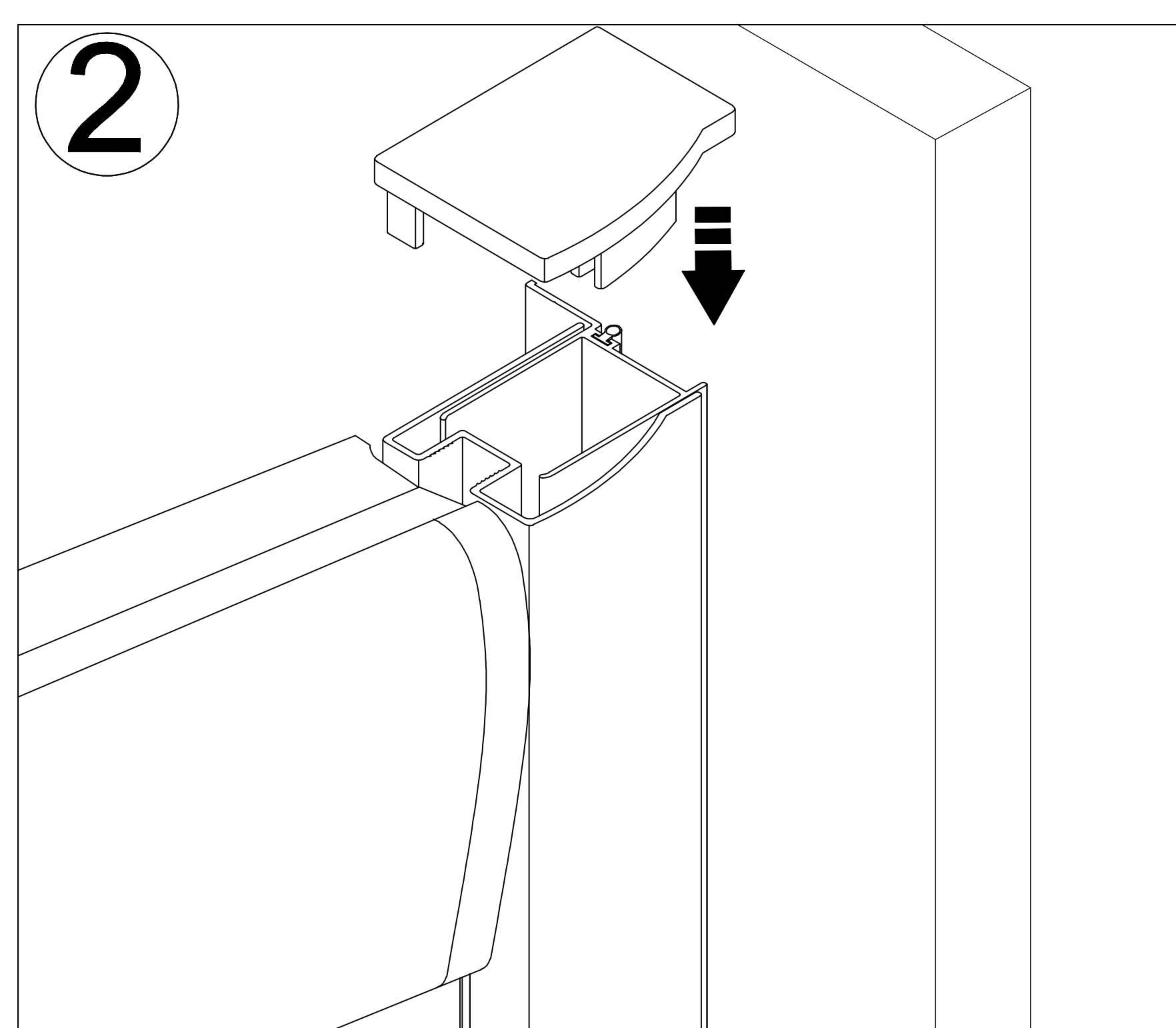
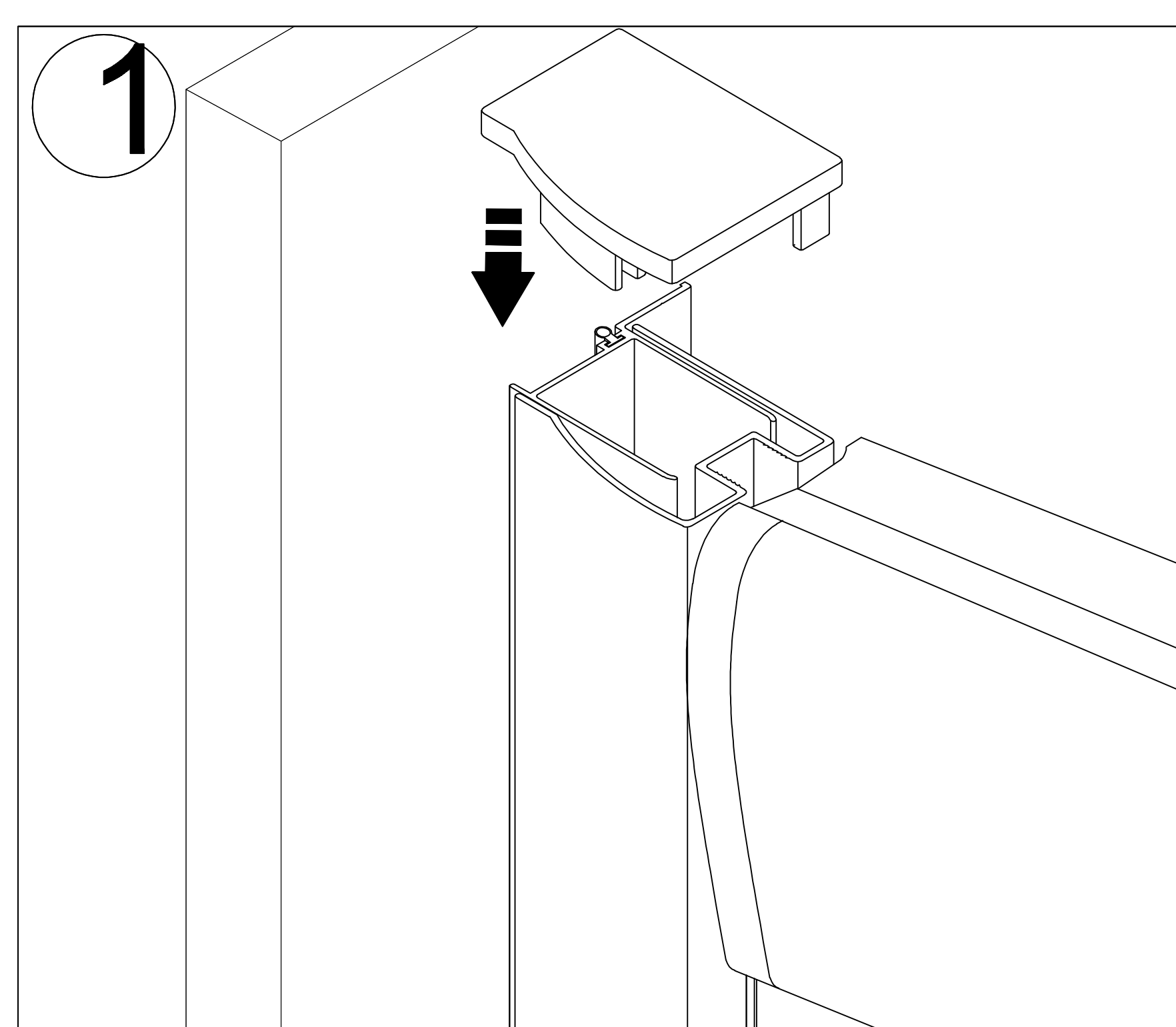
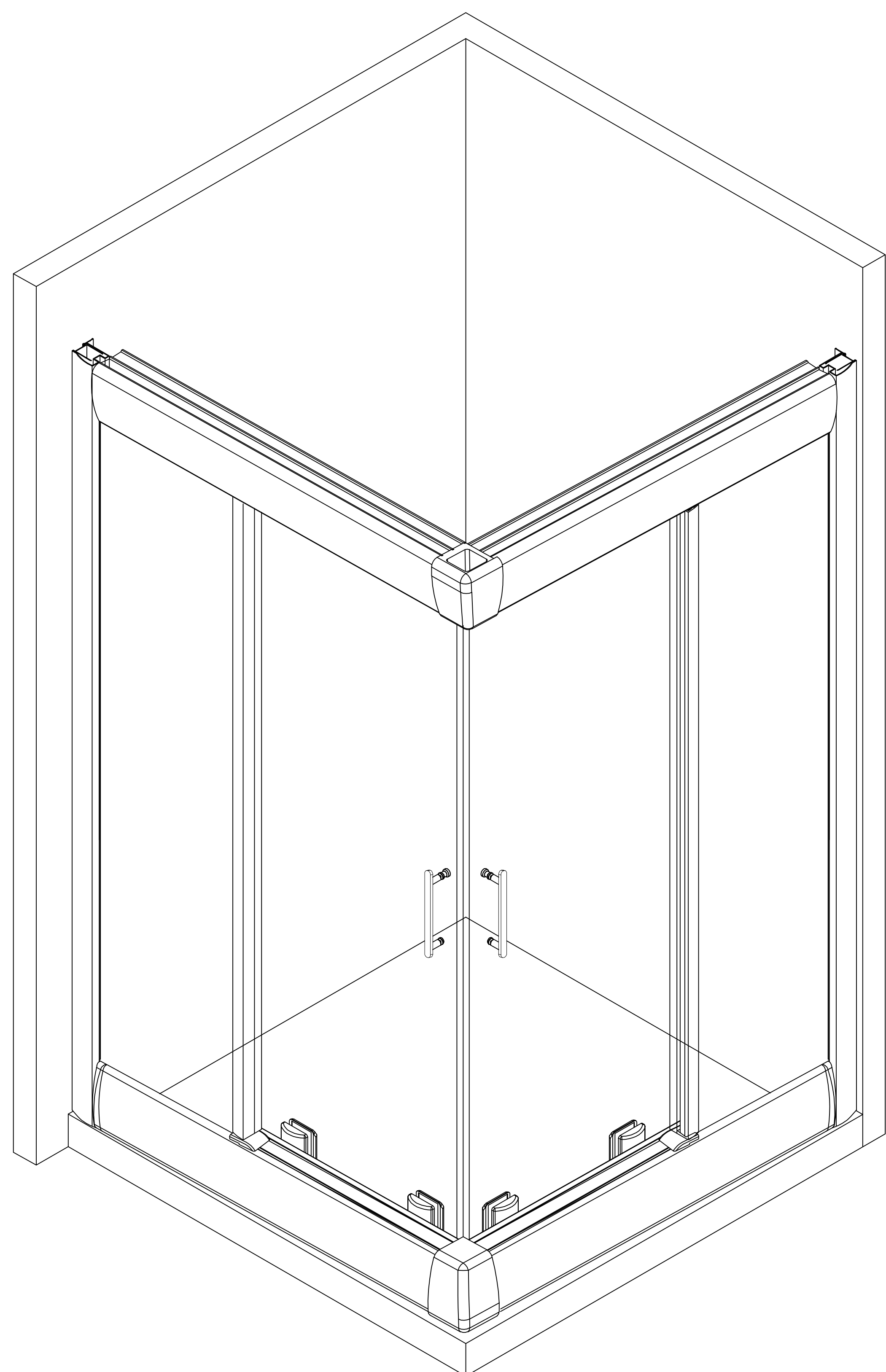
15



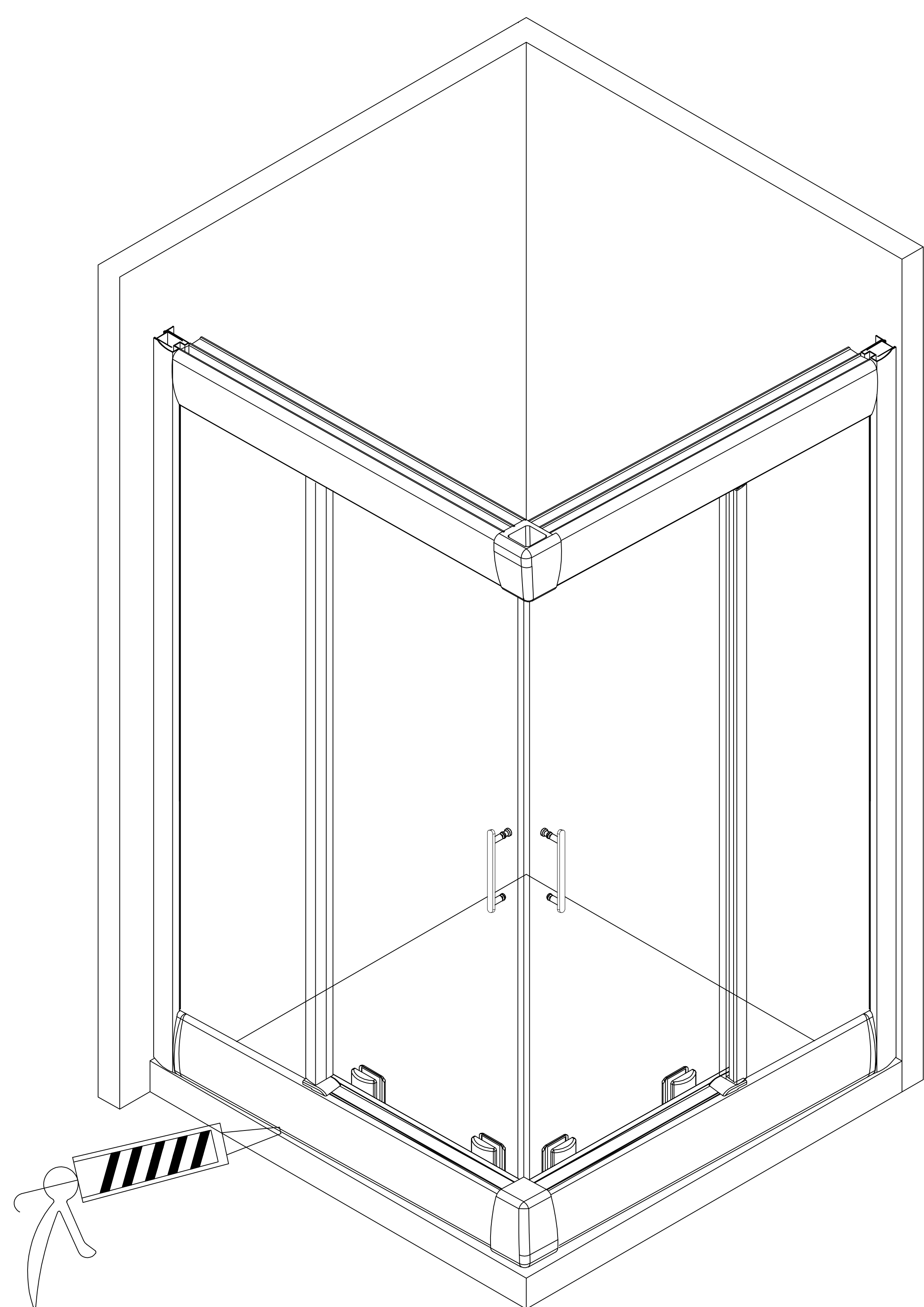
16



15



16



24 HOURS