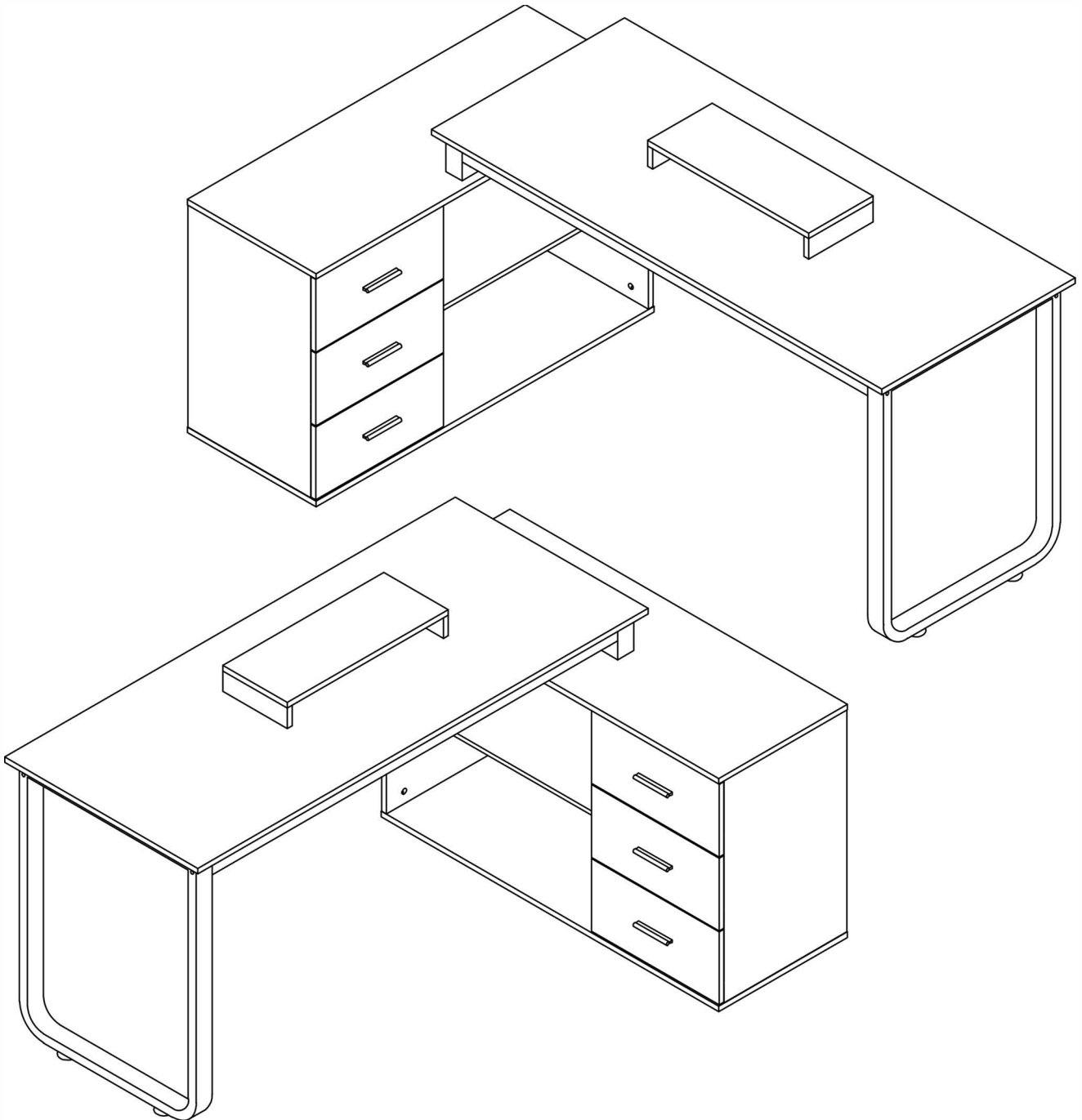


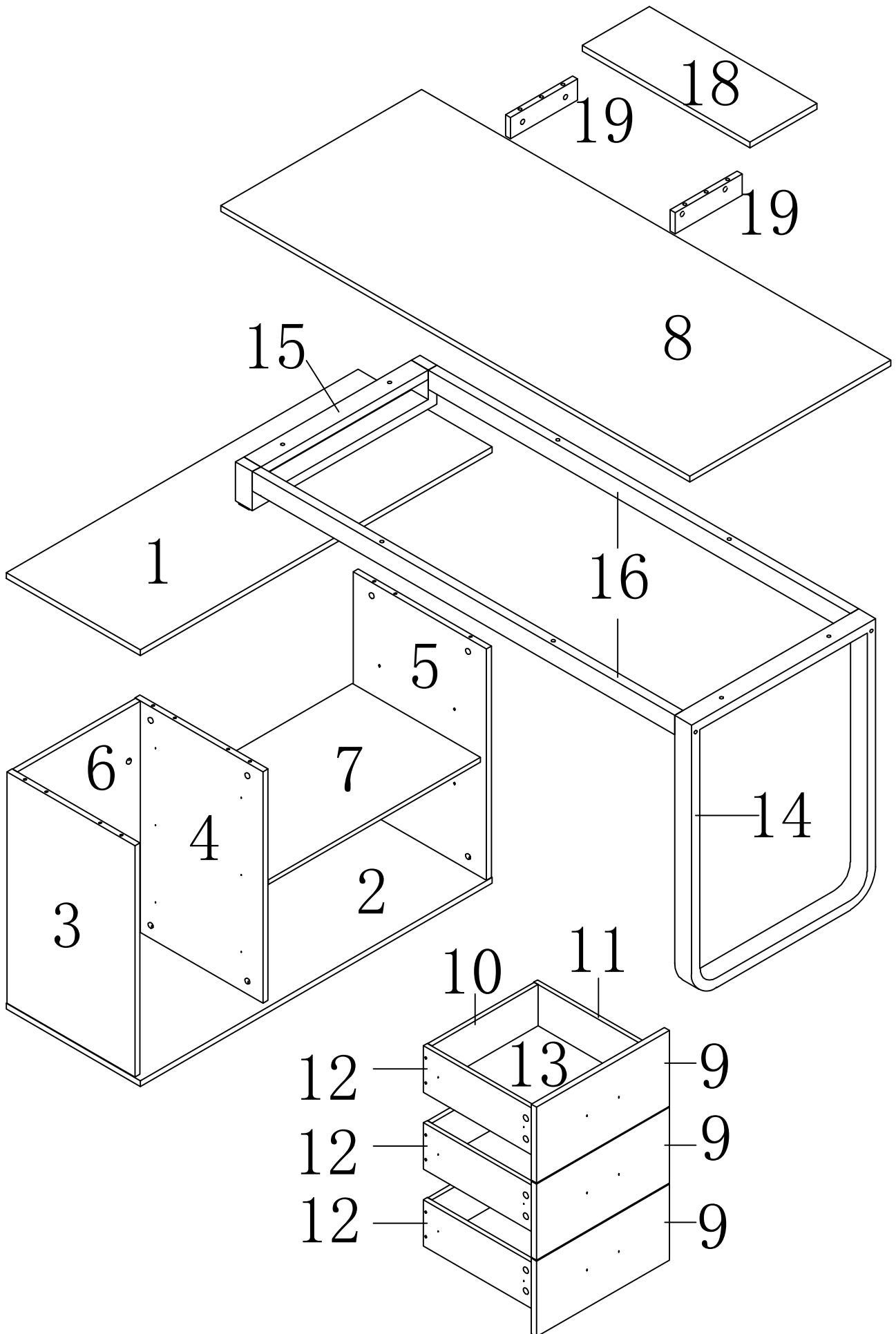
# COMPUTER DESK USER' S MANUAL SKU:HO005301 HO006301 HO006401



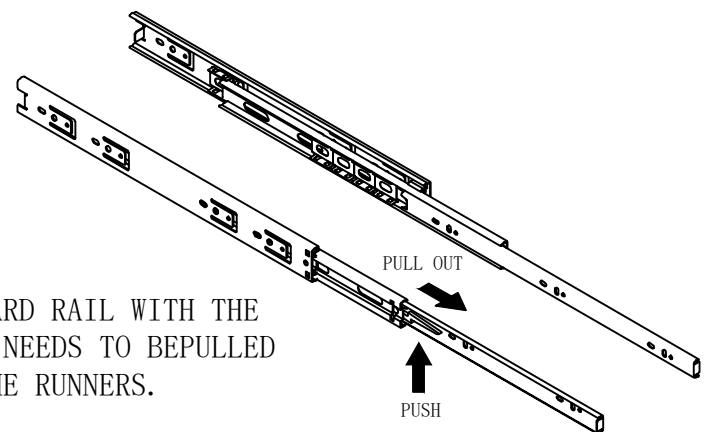
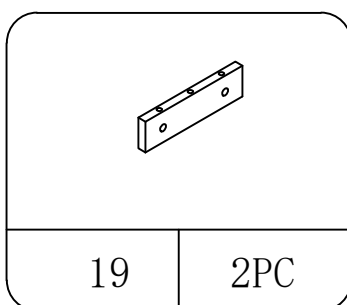
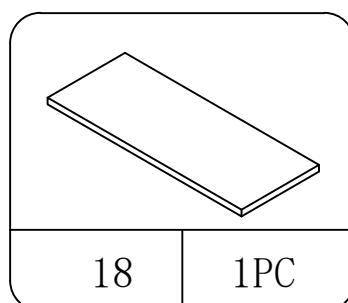
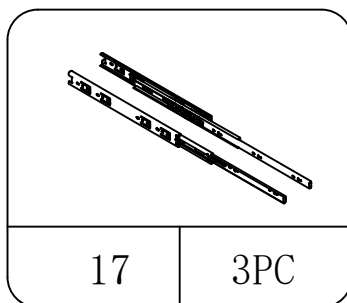
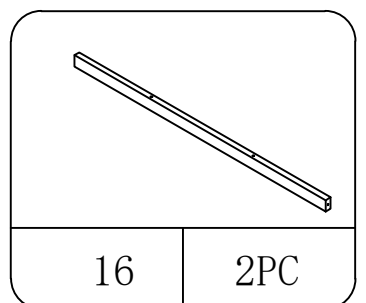
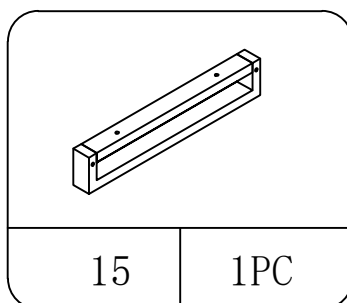
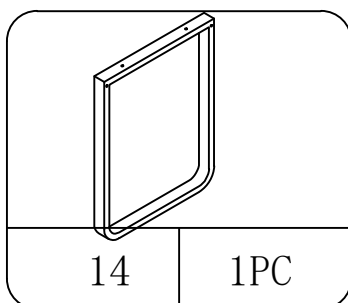
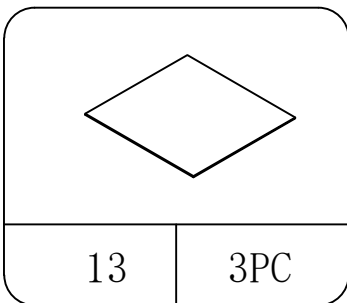
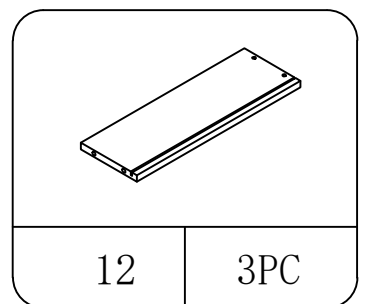
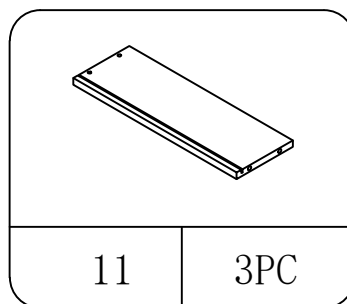
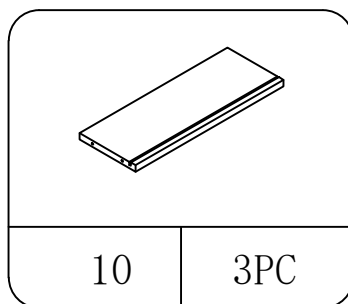
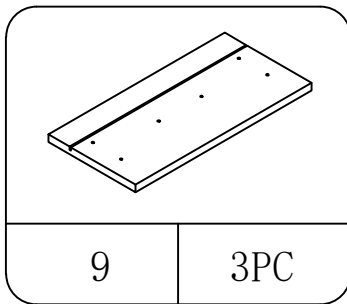
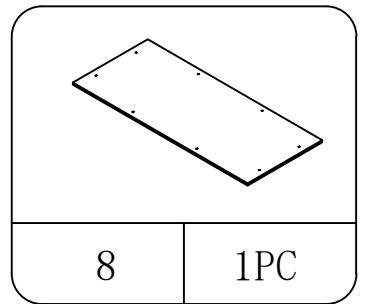
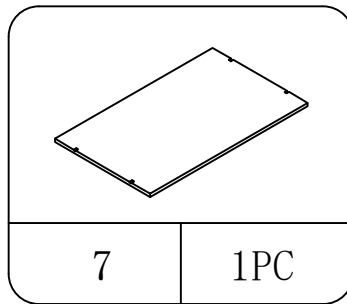
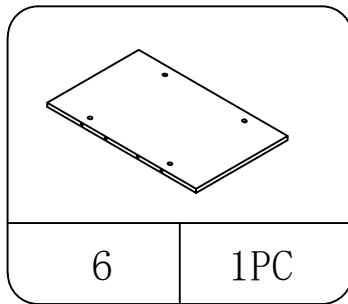
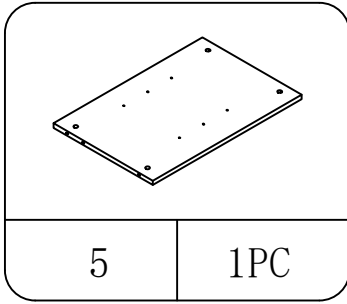
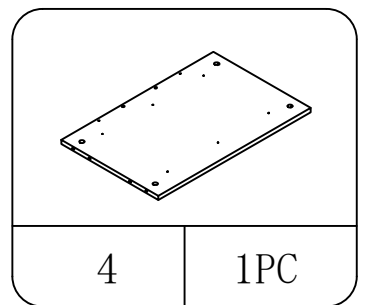
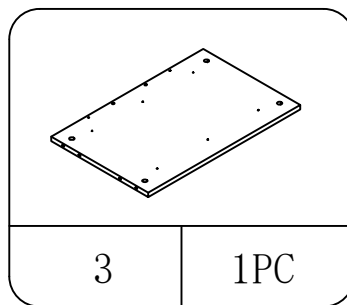
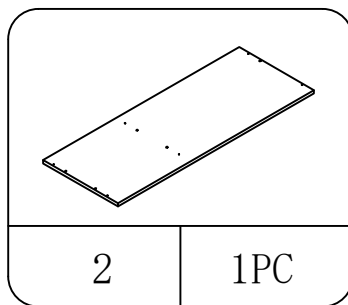
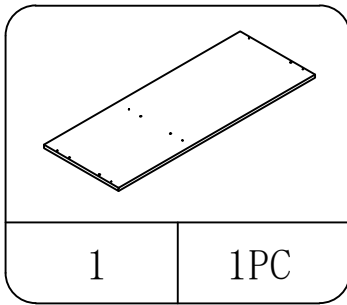
## REPLACEMENT PARTS

We are devoted to provide the best products and services for customers. Please contact us via the 'Contact Seller' button in the detail page of your order for any concern and we'll response as soon as possible.

# BOARD IDENTIFICATION

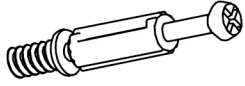


# Parts List



DISCONNECT THE KEYBOARD RAIL WITH THE BLACK PLASTIC PART. IT NEEDS TO BE PULLED DOWN TO DISCONNECT THE RUNNERS.

# Hardware List



A

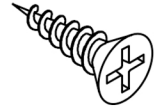
32PC



$\phi 12$

B

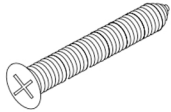
28PC



$\phi 3.5 * 12\text{mm}$

C

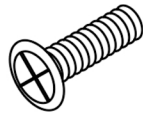
24PC



$\phi 4 * 40\text{mm}$

D

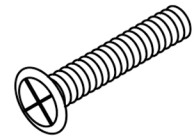
12PC



M6\*30mm

E

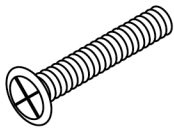
4PC



M6\*50mm

F

4PC



M6\*60mm

G

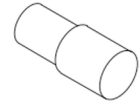
4PC



$\phi 6 * 30\text{mm}$

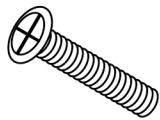
H

18PC



I

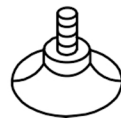
4PC



M4\*15mm

J

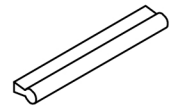
6PC



M8

K

2PC



L

3PC



$\phi 30 * 3$

M

6PC



N

2PC



$\phi 15$

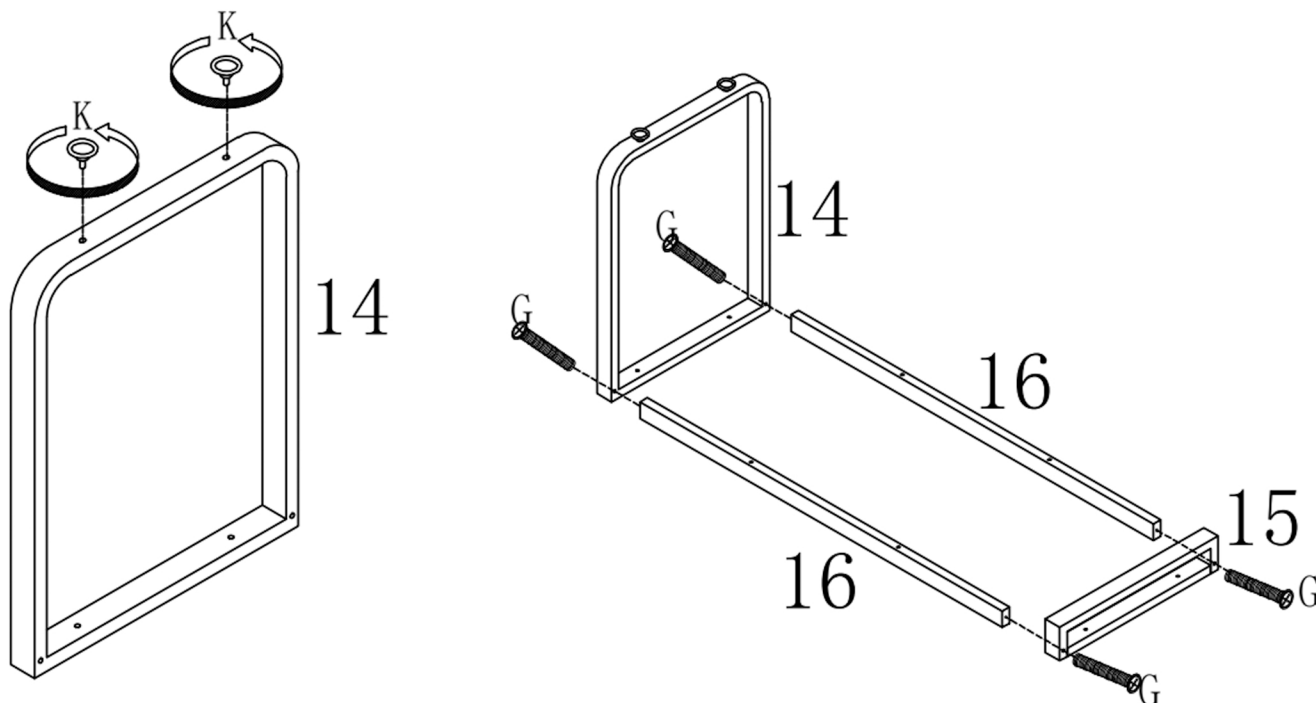
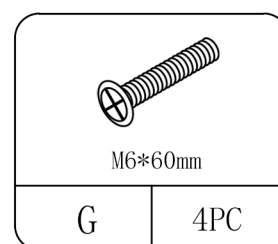
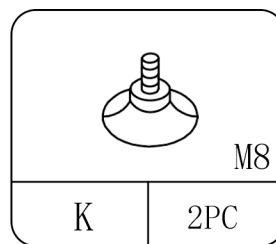
O

4PC

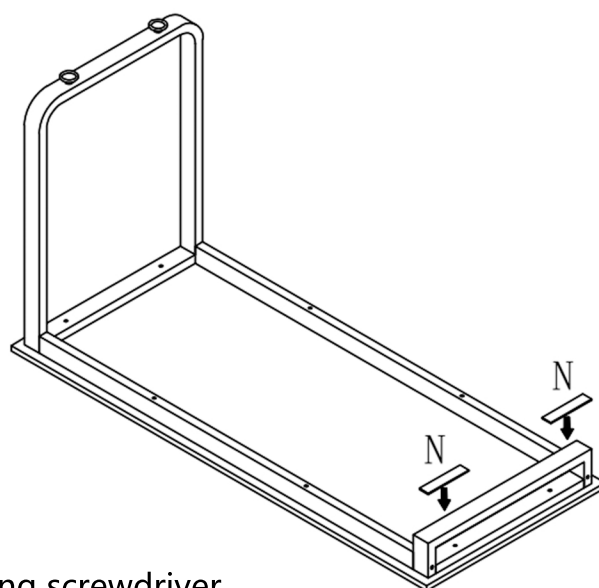
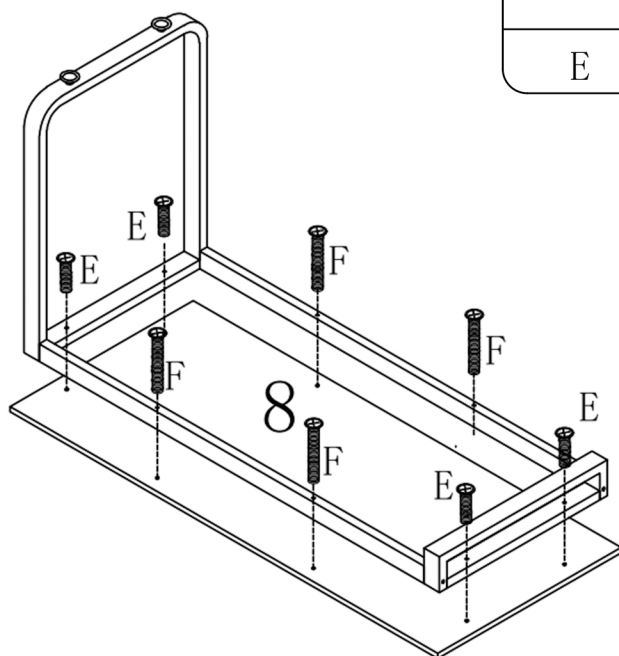
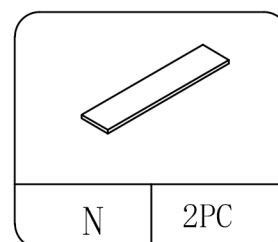
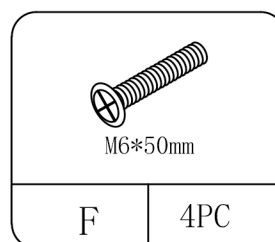
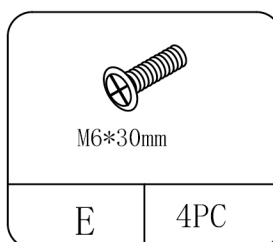
# STEP 1

Attach Part (K) to Part (14) as per diagram.

Attach Part (14,15) to Part (16) with Bolt (G) using screwdriver.



# STEP 2



Attach Part (14,15,16) to Part (8) with Bolt (E,F) using screwdriver.

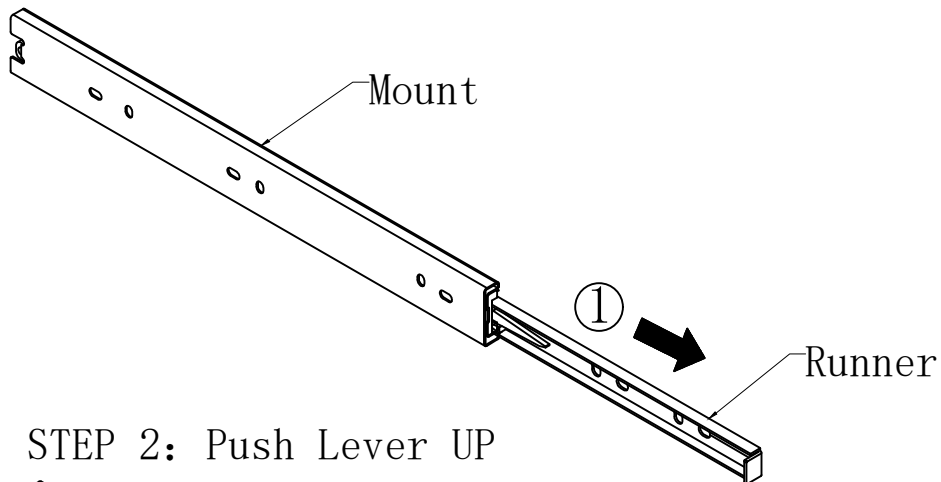
Attach Part (N) to Part (15) as per diagram.

# STEP 3

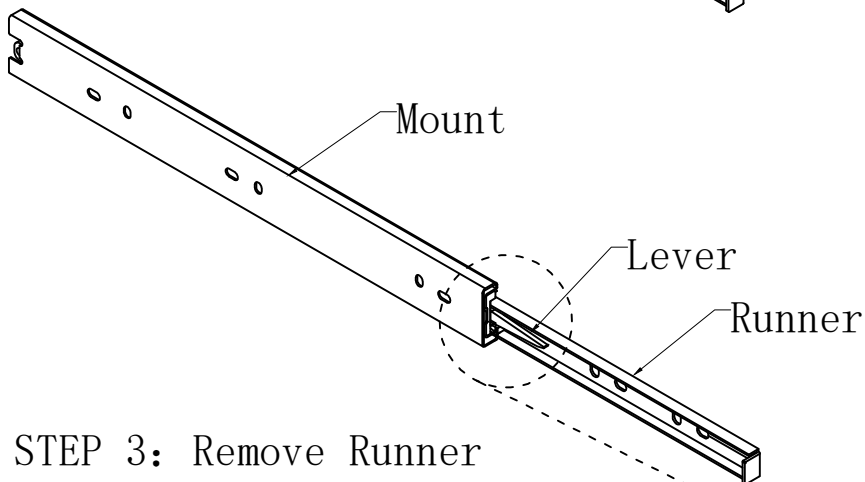
---

Slides Must Be Separated Before Assembly.  
After Separated ,Set Aside Until Needed  
for Assembly.

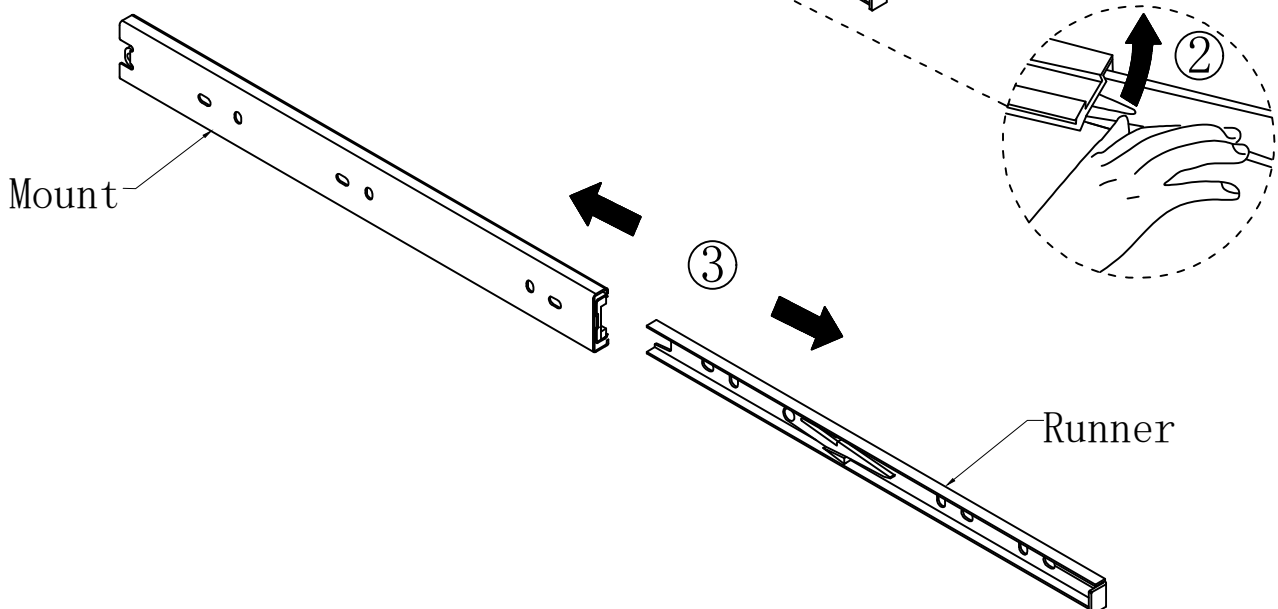
STEP 1: Extend Slide



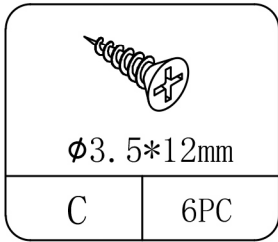
STEP 2: Push Lever UP



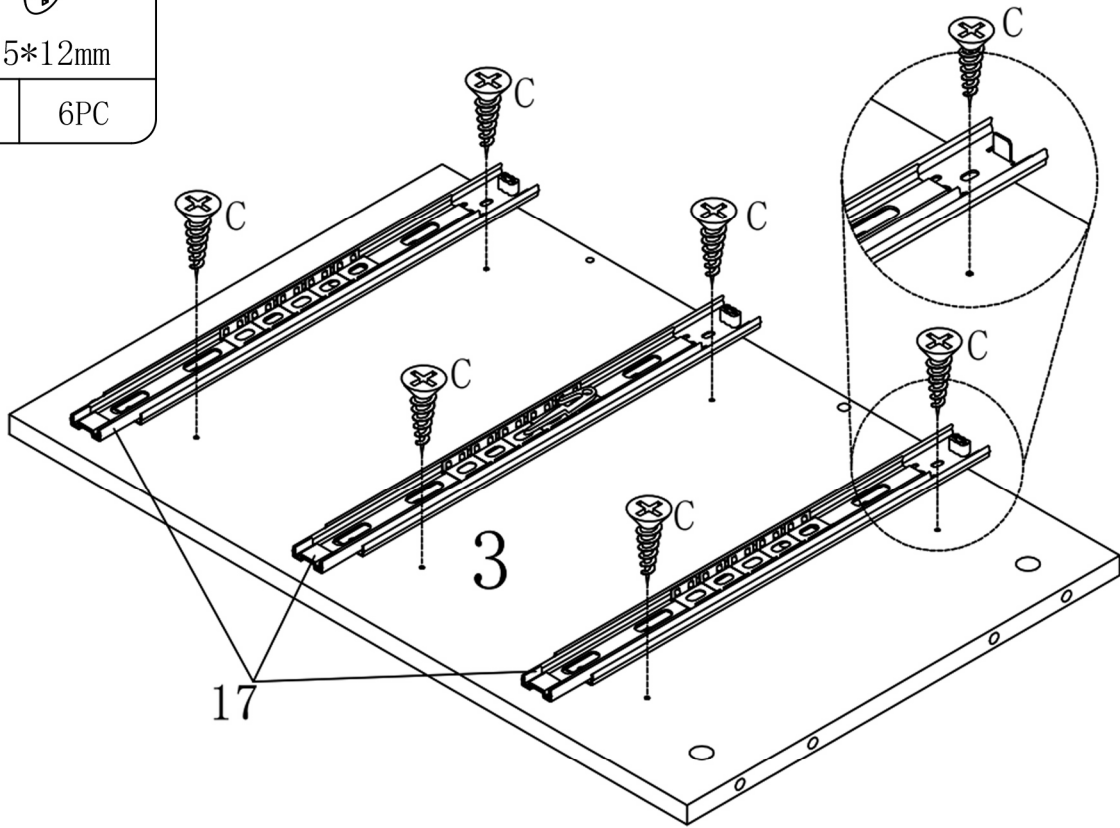
STEP 3: Remove Runner



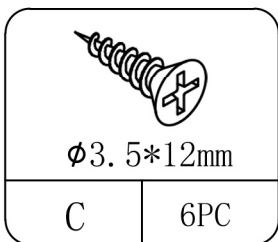
# STEP 4



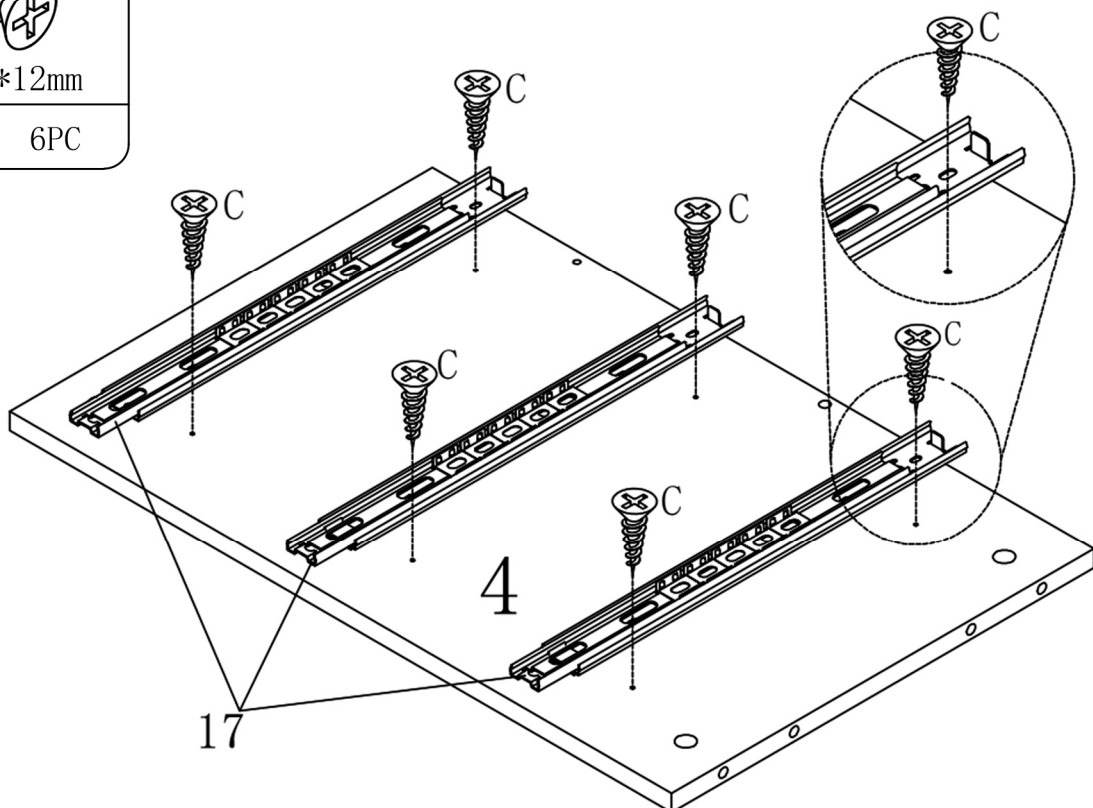
Attach Part (17) to Part (3) with Screw (C) using screwdriver.



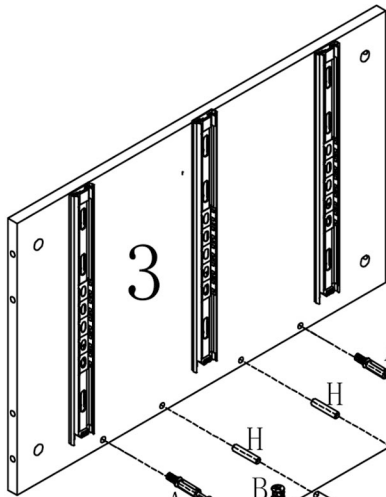
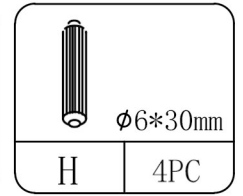
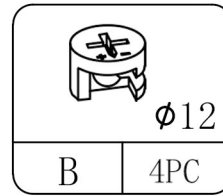
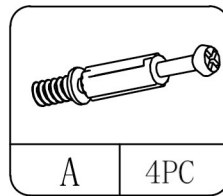
# STEP 5



Attach Part (17) to Part (4) with Screw (C) using screwdriver.



# STEP 6

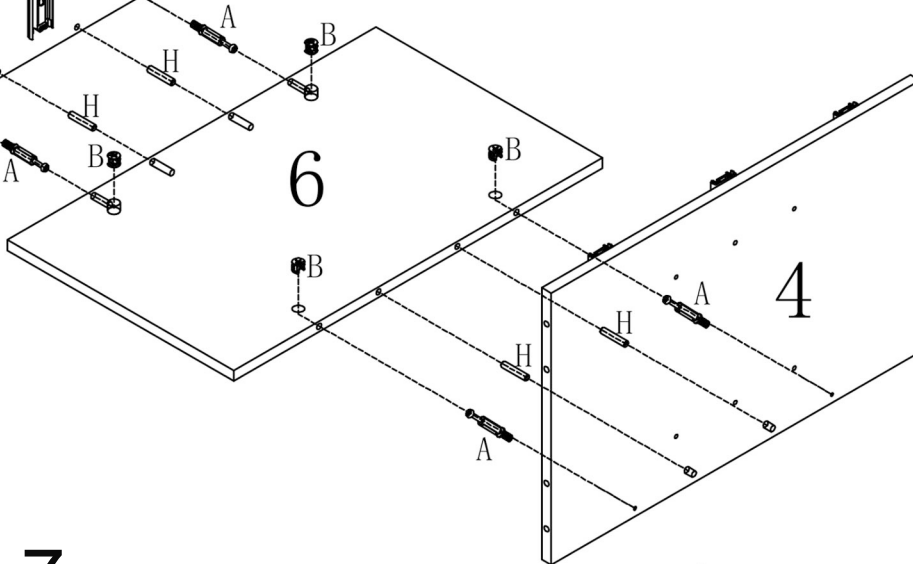


Attach Cam Bolt (A) to Part (3,4) using screwdriver.

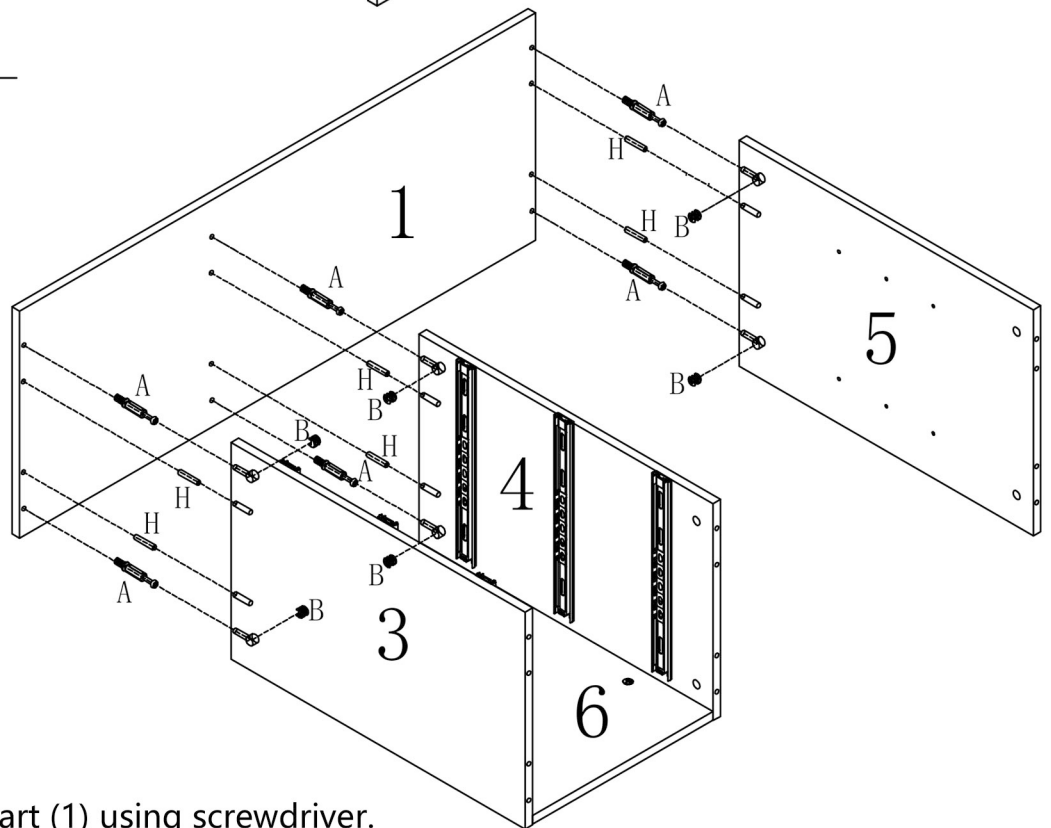
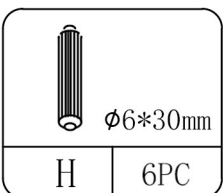
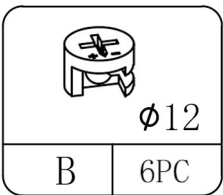
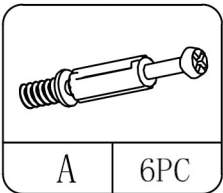
Insert Part (H) into Part (3,4).

Attach Part (3,4) to Part (6) through Cam Bolt (A) and Part (H).

Insert and secure Cam Lock (B) to Part (6) to lock Part (3,4).



# STEP 7



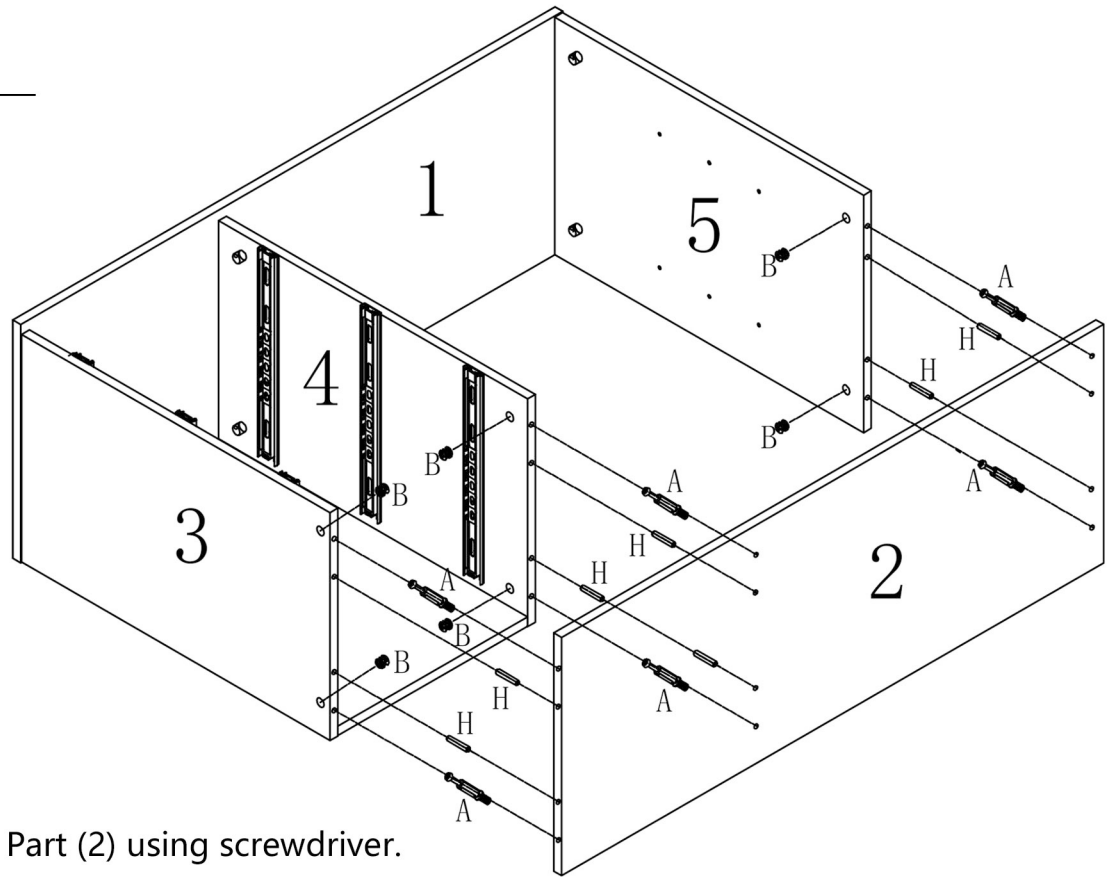
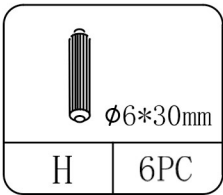
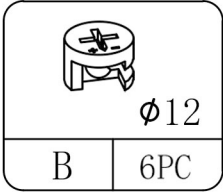
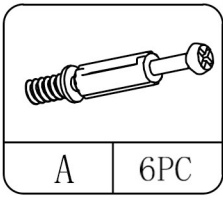
Attach Cam Bolt (A) to Part (1) using screwdriver.

Insert Part (H) into Part (1).

Attach Part (3,4,5) to Part (1) through Cam Bolt (A) and Part (H).

Insert and secure Cam Lock (B) to Part (3,4,5) to lock Part (1).

# STEP 8



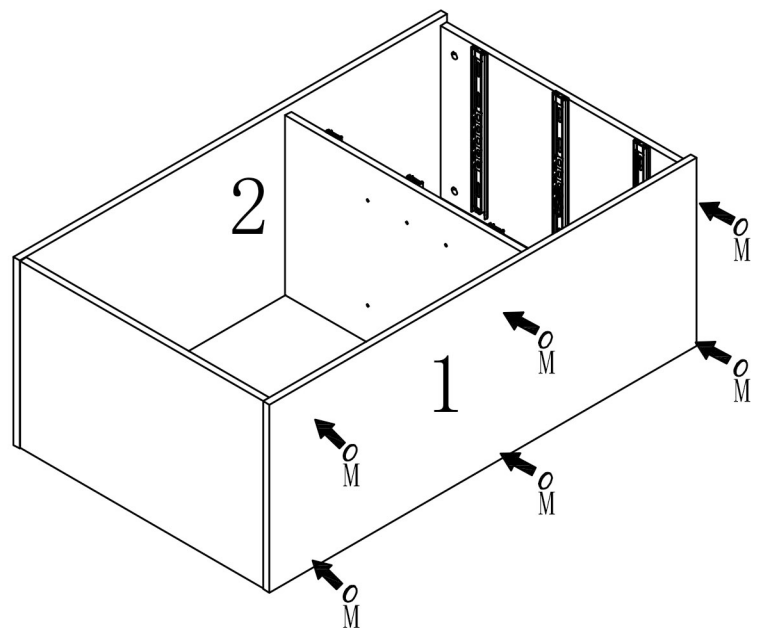
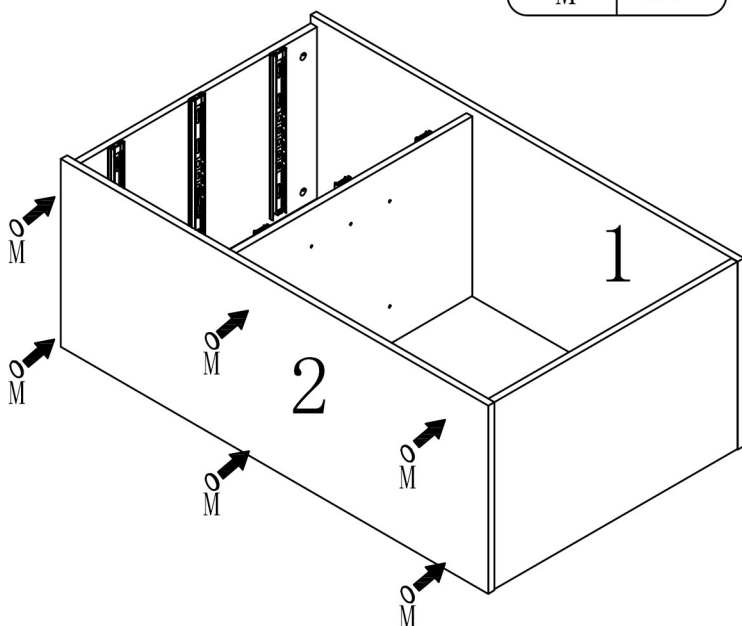
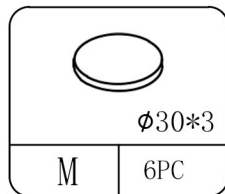
Attach Cam Bolt (A) to Part (2) using screwdriver.

Insert Part (H) into Part (2).

Attach Part (3,4,5) to Part (2) through Cam Bolt (A) and Part (H).

Insert and secure Cam Lock (B) to Part (3,4,5) to lock Part (2).

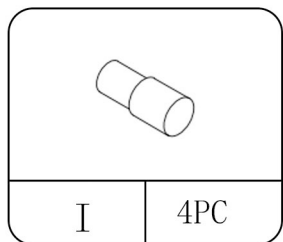
# STEP 9



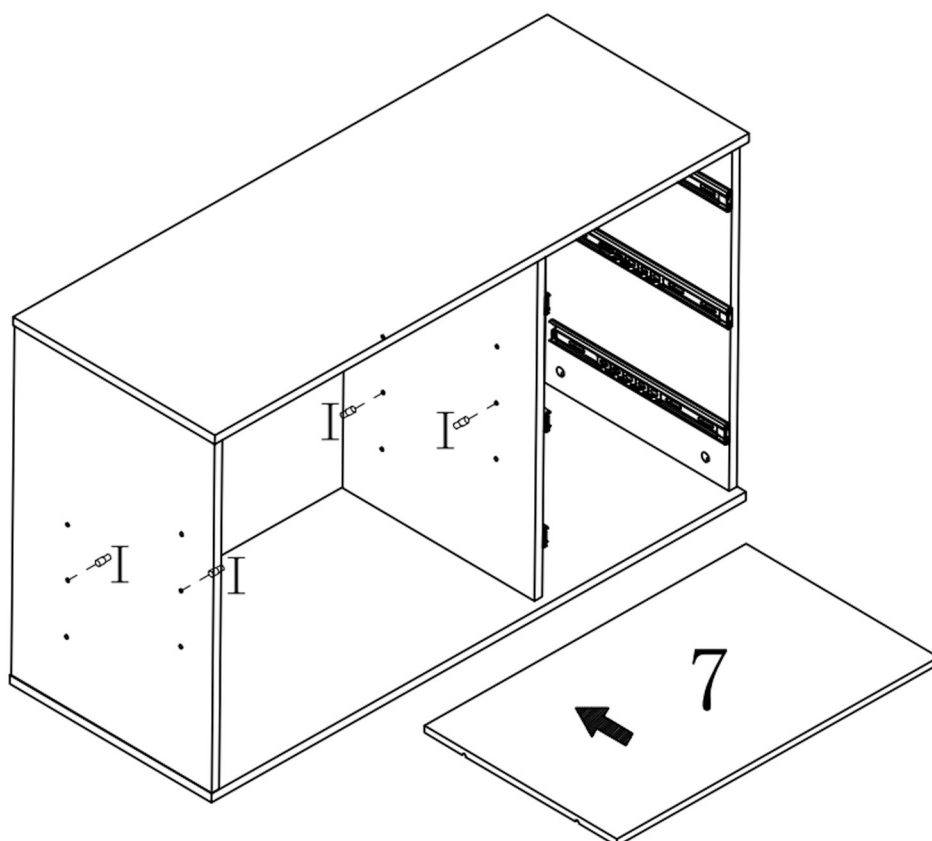
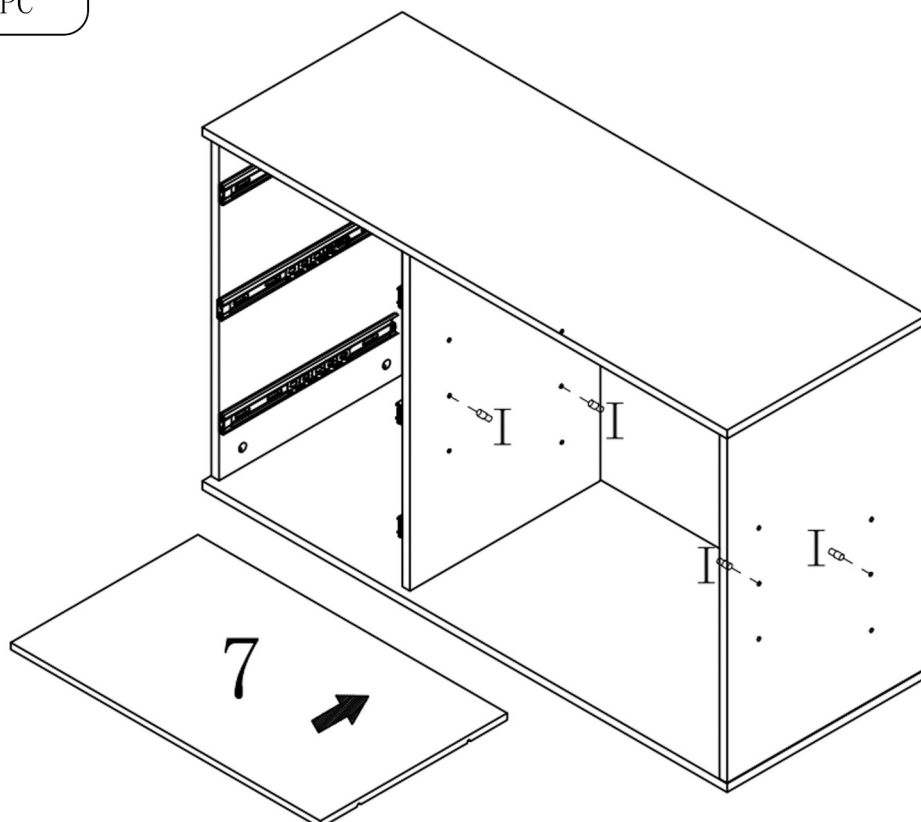
Attach Part (M) to Part (1,2) as per diagram.

# STEP 10

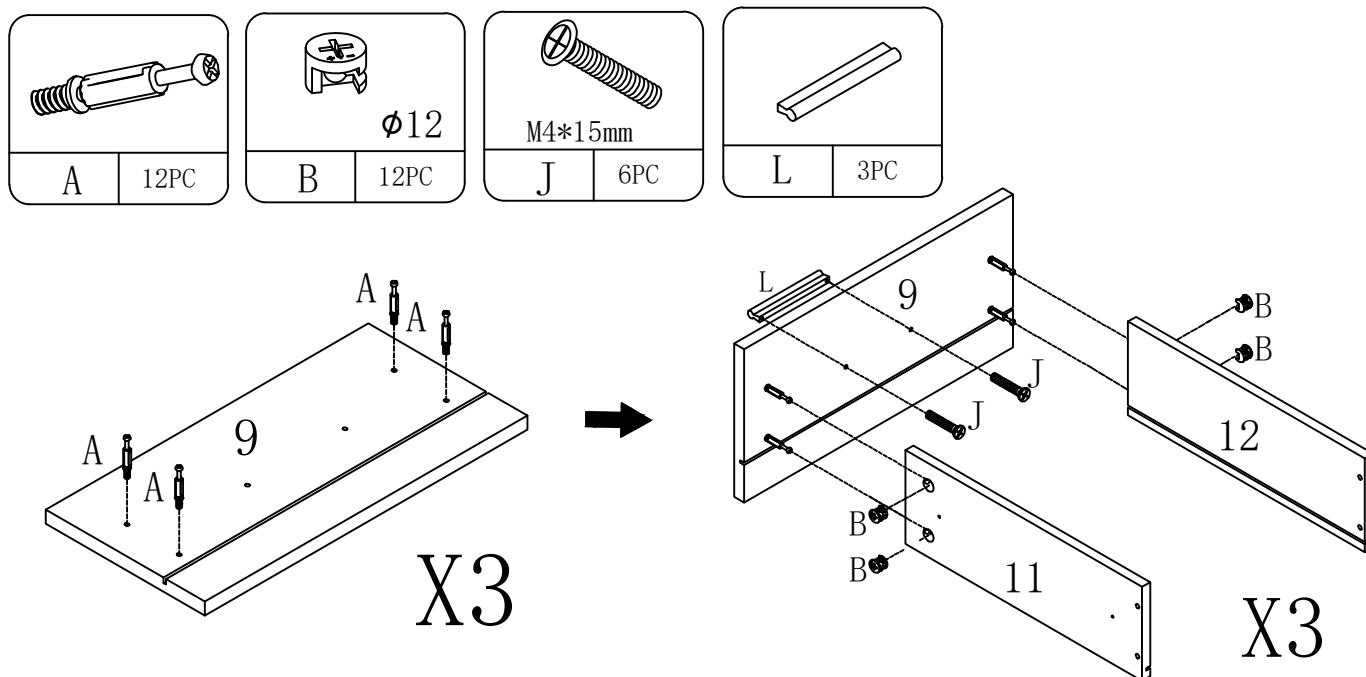
---



Insert Part (I) into Part (4,5), and then put Part (7) on Part (I).



# STEP 11



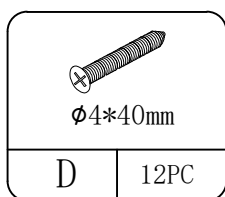
Attach Cam Bolt (A) to Part (9) using screwdriver.

Attach Handle (L) to Part (9) with Bolt (J) using screwdriver.

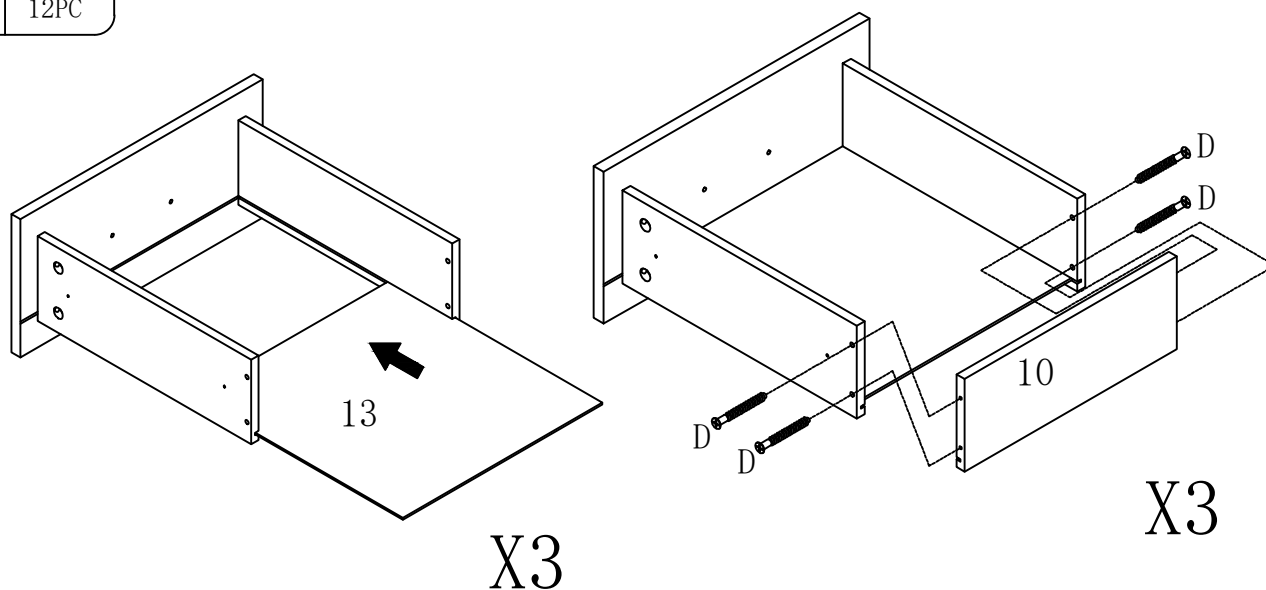
Attach Part (11, 12) to Part (9) through Cam Bolt (A) .

Insert and secure Cam Lock (B) to Part (11, 12) to lock Part (9).

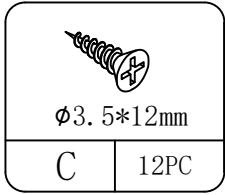
# STEP 12



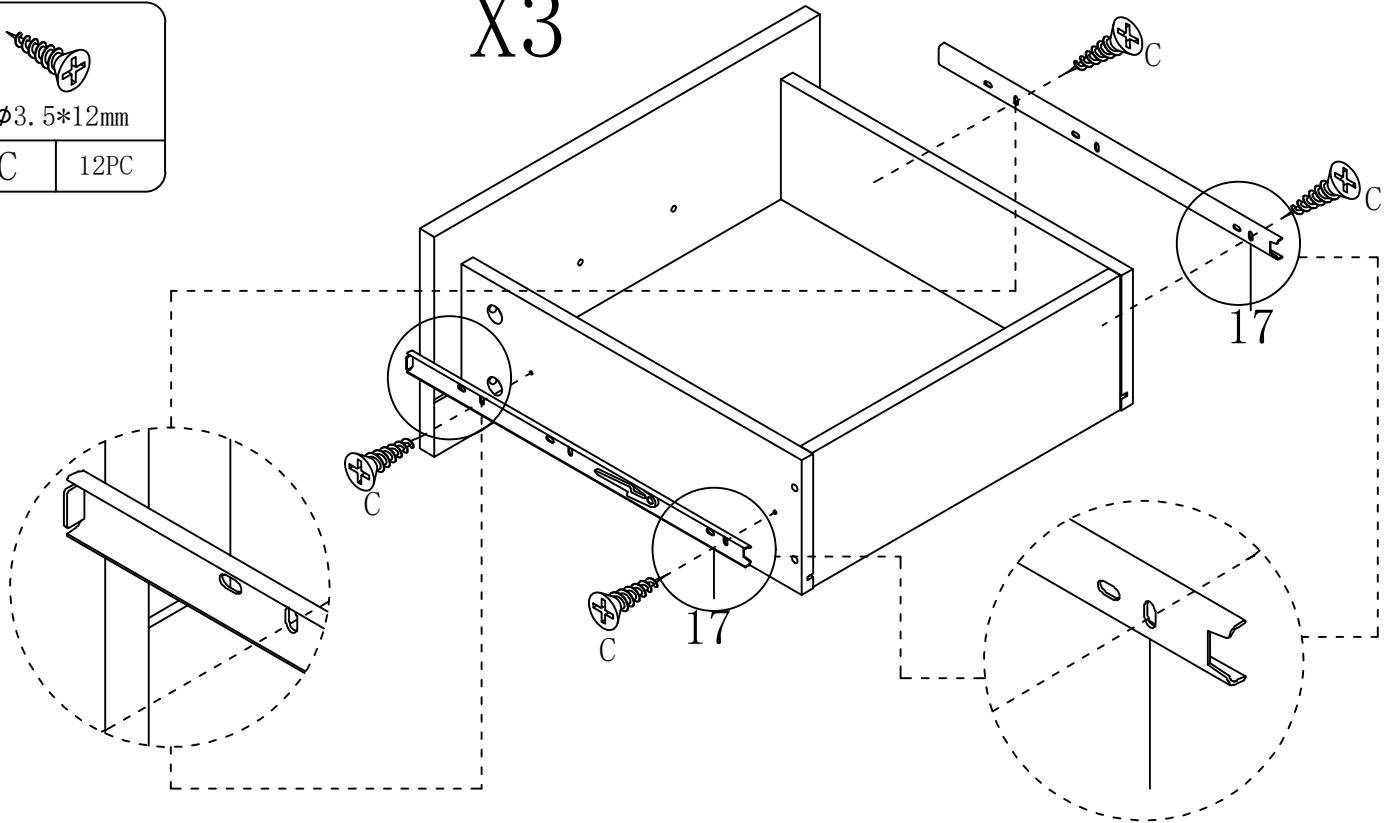
Slide Part (13) into grooves of Part (9, 11, 12) as per diagram. Attach Part (10) to Part (11, 12) with Screw (D) using screwdriver.



# STEP 13

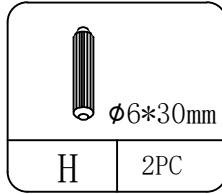
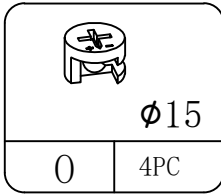
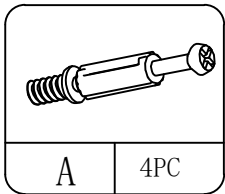


X3



Attach Part (17) to Part (11,12) with Screw (C) using screwdriver.

# STEP 14

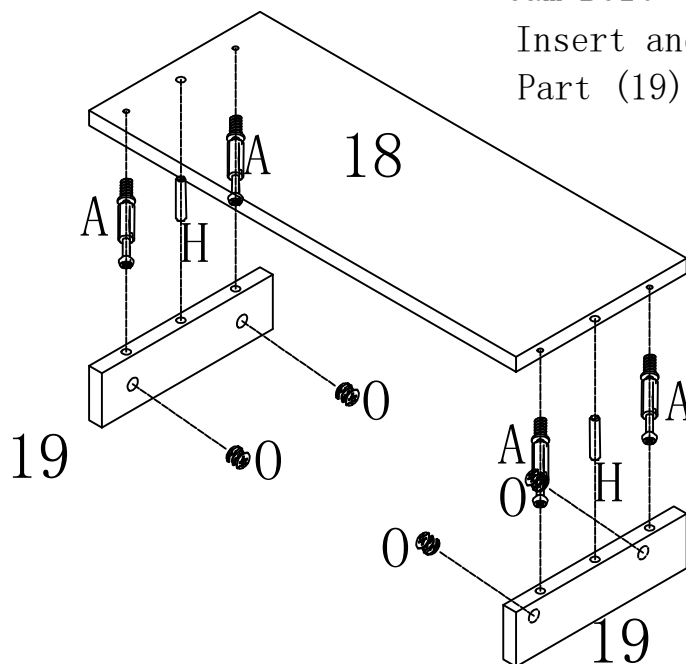


Attach Cam Bolt (A) to Part (18) using screwdriver.

Insert Part (H) into Part (18).

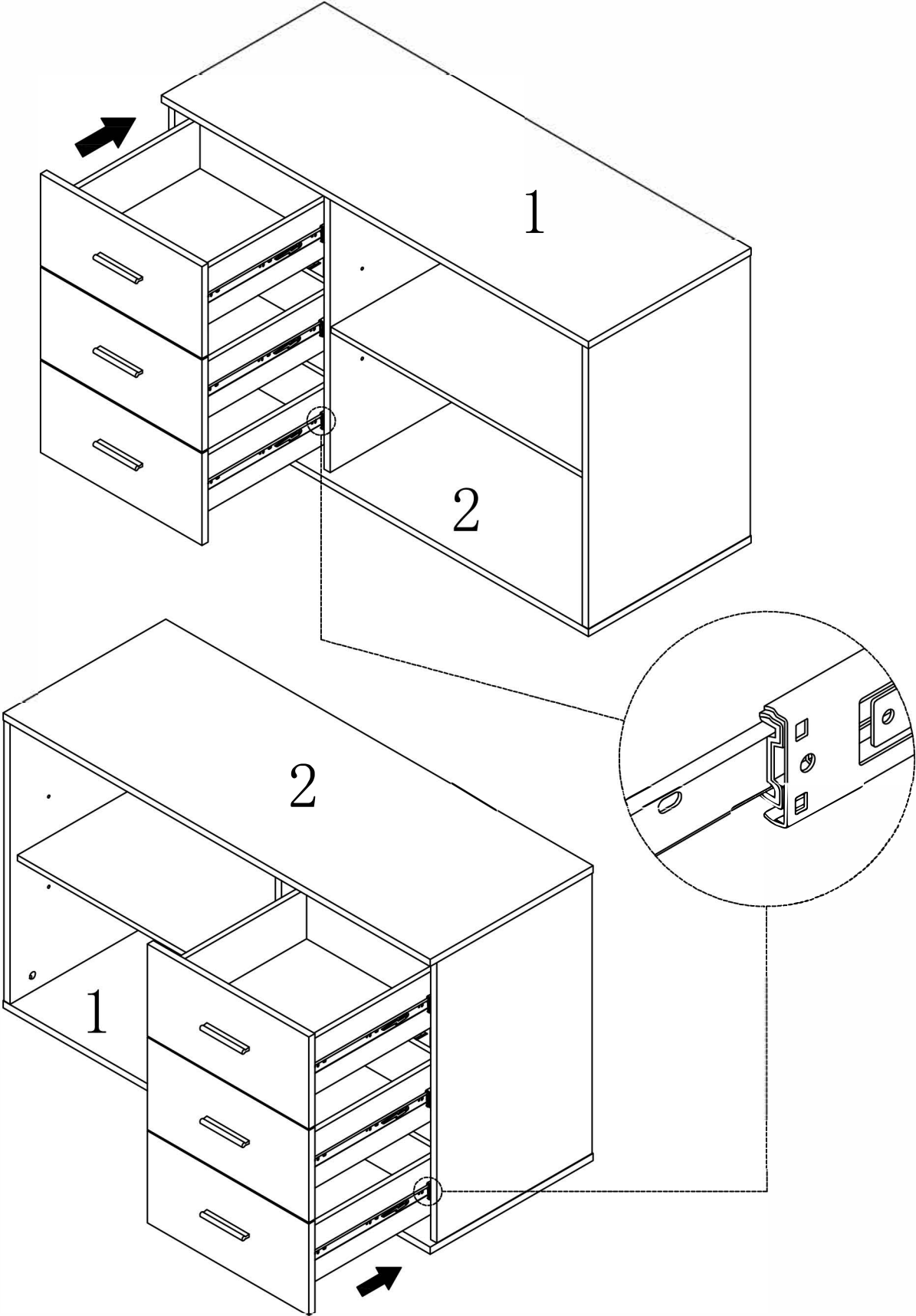
Attach Part (19) to Part (18) through Cam Bolt (A) and Part (H).

Insert and secure Cam Lock (O) to Part (19) to lock Part (18).



# STEP 15

Place the assembled drawers into the slides.



# STEP 16

This desk is reversible, you can place the cabinet on right side or left side.

