

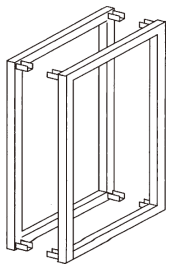
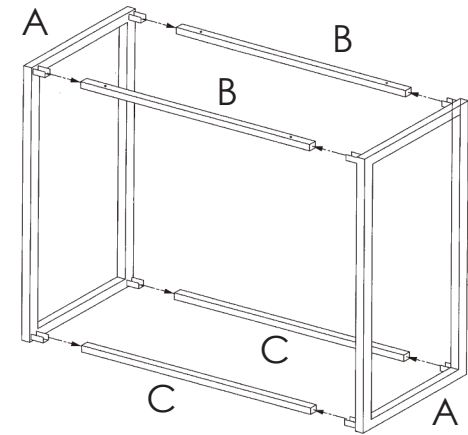
euø style™

Assembly Instructions SANDOR Console Table

PLEASE NOTE: Check that you have received all components and hardware before assembling. If you are missing any parts, contact your retailer, or fax Eurø Style at 415.455.8033 or email: cs@gotoeurostyle.com.



1



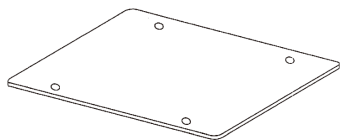
A (1 set)



B (2 pcs)



C (2 pcs)



D (1 pc)



E (4 pcs)
1/4 x 25mm

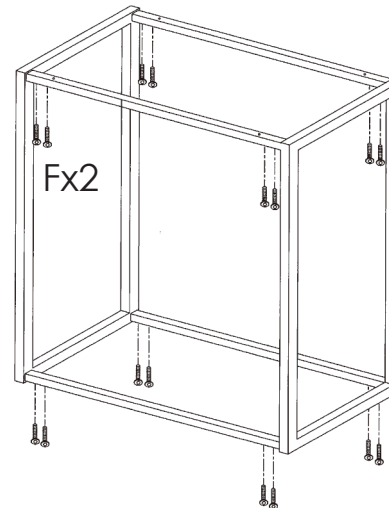


F (16 pcs)
1/4 x 12mm

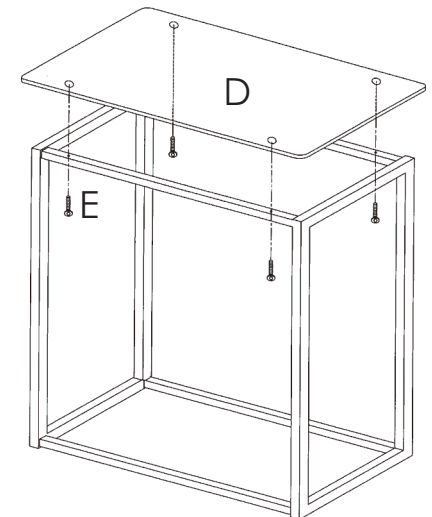


G (1 pc)

2



3



During assembly, hand tighten screws only. When the screws are in place, tighten completely.