





**IMPORTANT!! PLEASE READ ENTIRE INSTRUCTION SHEET BEFORE ASSEMBLY!!**

**7pcs Sectional Set- Right Arm Chair**

Identify all parts packed in the carton against the parts list. Remove all protective materials. Place parts on a non-abrasive surface. If you are missing any parts or Are unsure how to proceed with assembly, please call customer service center

Parts List							
A2	Chair Frame		1	B	Chair Legs		4
C	Back Cushion		1	D	Seat Cushion		1

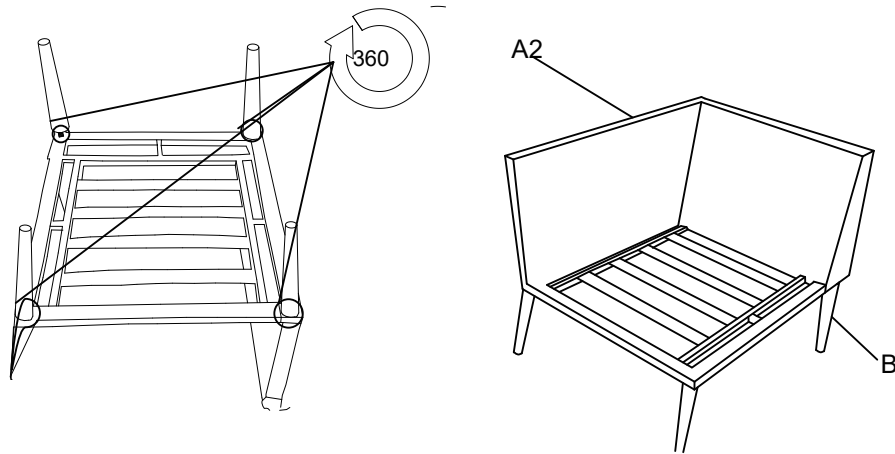
Do not attempt to assemble the product if any parts are missing or damaged.

Step 1

Place the Chair frame (A2) upside down on a flat,Soft surface .

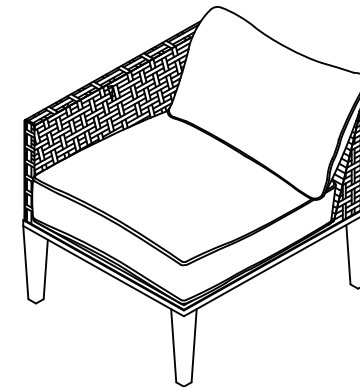
Step 2

Twist the Chair Leg (B) to Chair Frame (A2) .



Step 3

Turn the chair in upright position,Place the back cushion (C),Seat Cushion (D)on the chair,Your chair is now ready for use.



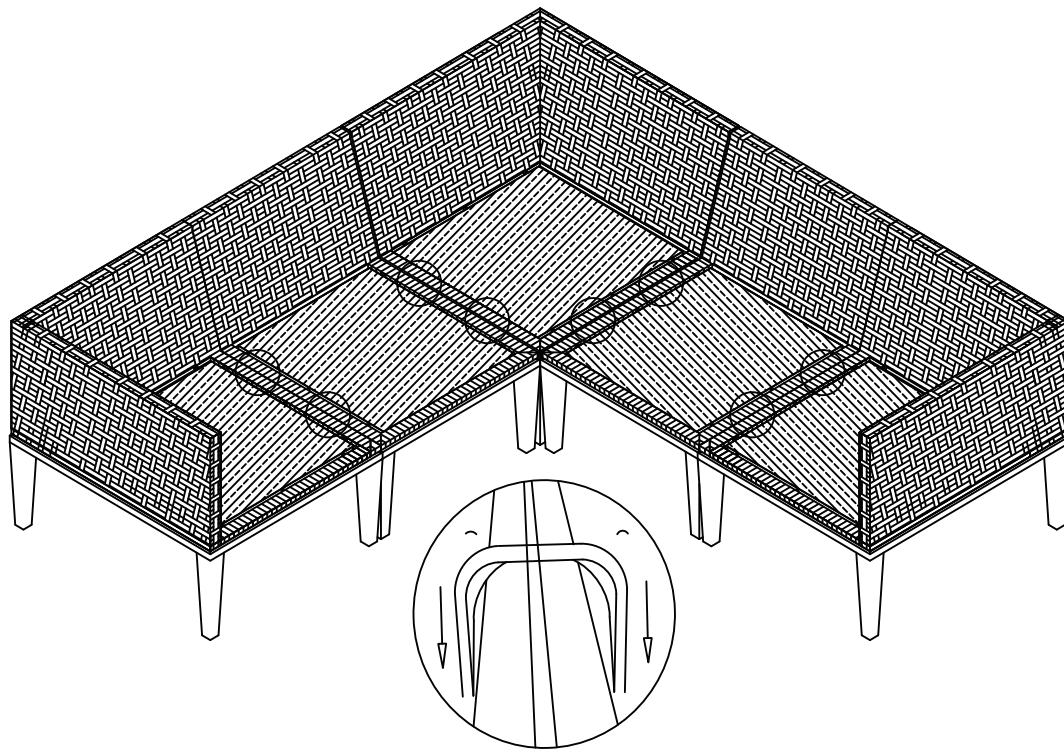
**IMPORTANT! PLEASE READ ENTIRE  
INSTRUCTION SHEET BEFORE ASSEMBLY!!**

**Sectional Set**

Identify all parts packed in the carton against the parts list. Remove all protective materials. Place parts on a non-abrasive surface. If you are missing any parts or are unsure how to proceed with assembly, please call our customer service center

Do not attempt to assemble the product if any parts are missing or damaged .





Please use the plastic clips provided to fasten the chairs, see the sketch map below:



**IMPORTANT!! PLEASE READ ENTIRE INSTRUCTION SHEET BEFORE ASSEMBLY!!**

**7pcs Sectional Set- Armless Chair**

Identify all parts packed in the carton against the parts list. Remove all protective materials. Place parts on a non-abrasive surface. If you are missing any parts or Are unsure how to proceed with assembly, please call customer service center

Parts List							
A	Chair Frame		2	B	Chair Legs		8
C	Back Cushion		2	D	Seat Cushion		2

Do not attempt to assemble the product if any parts are missing or damaged.

**Step 1**

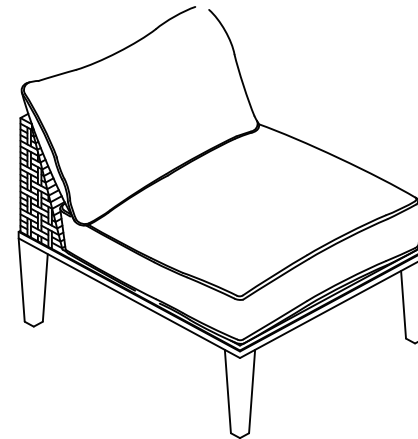
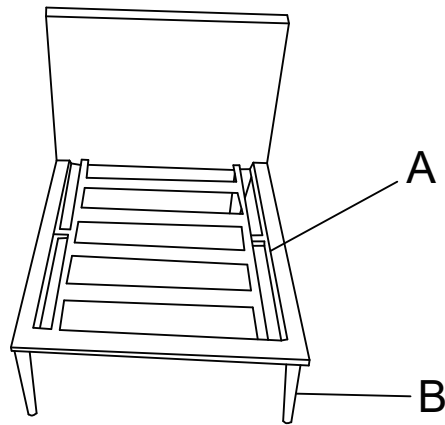
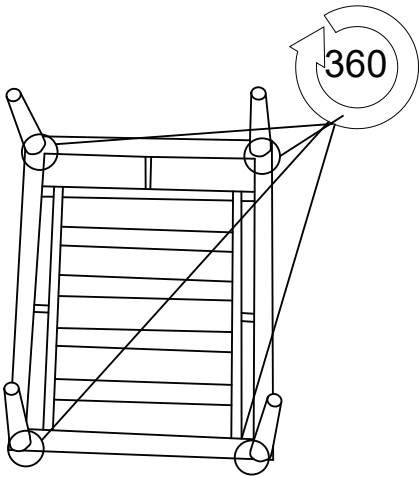
Place the Chair frame (A) upside down on a flat,Soft surface.

**Step 2**

Twist the Chair Leg (B) to Chair Frame (A) .

**Step 3**







Turn the chair in upright position,Place the back cushion (C),Seat Cushion (D) on the chair.  
Your chair is now ready for use.



**IMPORTANT!! PLEASE READ ENTIRE  
INSTRUCTION SHEET BEFORE ASSEMBLY!!**

**7pcs Sectional Set- Coffee Table**

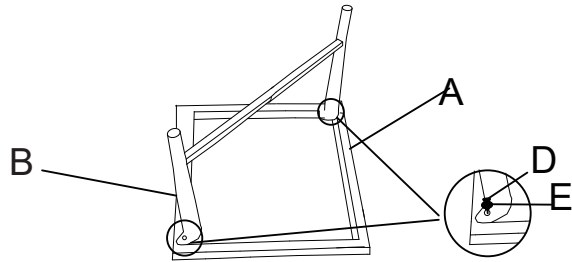
Identify all parts packed in the carton against the parts list. Remove all protective materials. Place parts on a non-abrasive surface. If you are missing any parts or Are unsure how to proceed with assembly, please call customer service center

Parts List							
A	Table Rim		2	B	Table Leg 1		2
C	Table Leg 2		2	D	Bolt(M6*20)		10
E	Metal Washer		10	F	Allen Wrench		1

Do not attempt to assemble the product if any parts are missing or damaged.

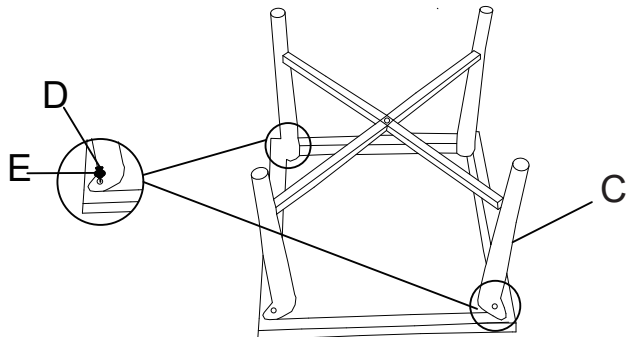
**Step 1**

Place the table Top (A) upside down on a flat, Soft surface ,  
Attach the table Leg 1 (B) to the Table Top (A) by using Bolt (D) with  
the Metal Washers (E). (DO NOT TIGHTEN COMPLETELY)



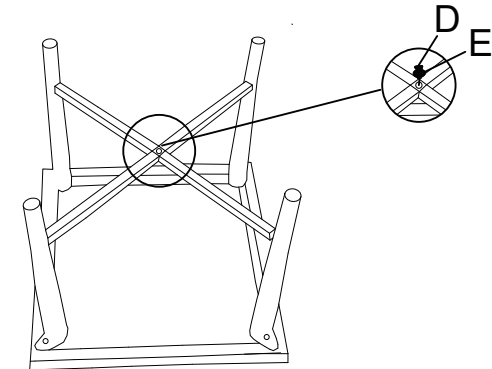
**Step 2**

Attach the Table Leg 2 (C) to the Table Top (A) by using Bolt (D)  
with the Metal Washers (E). (DO NOT TIGHTEN COMPLETELY)



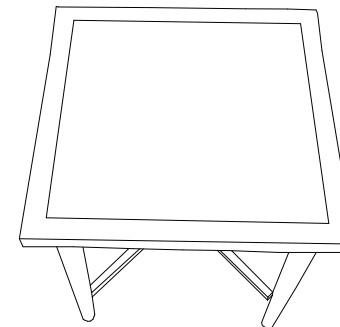
**Step 3**

Attach Table Leg 2 (C) to Table Leg 1 (B) by using Bolt (D)  
with the Metal Washer (E).



**Step 4**

Tighten all the bolts completely by Allen Wrench (F ).  
Turn the Table in upright position.  
Now the table is ready for your enjoyment.








**IMPORTANT!! PLEASE READ ENTIRE INSTRUCTION SHEET BEFORE ASSEMBLY!!**

**7pcs Sectional Set- Corner Chair**

Identify all parts packed in the carton against the parts list. Remove all protective materials. Place parts on a non-abrasive surface. If you are missing any parts or Are unsure how to proceed with assembly, please call customer service center

Do not attempt to assemble the product if any parts are missing or damaged.

Parts List							
A	Chair Frame		1	B	Chair Leg		4
C	Long Corner Back Cushion		1	D	Short Corner Back Cushion		1
E	Seat cushion		1				

Step 1

Place the Chair frame (A) upside down on a flat,Soft surface.

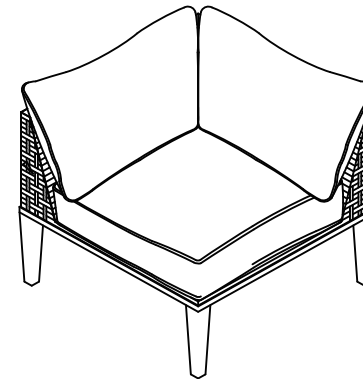
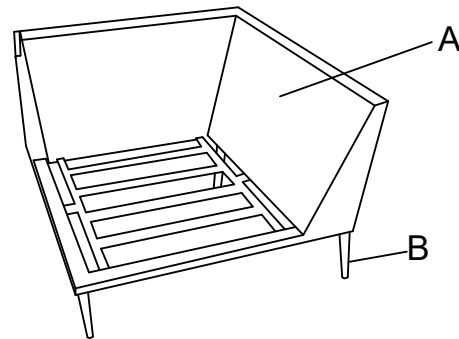
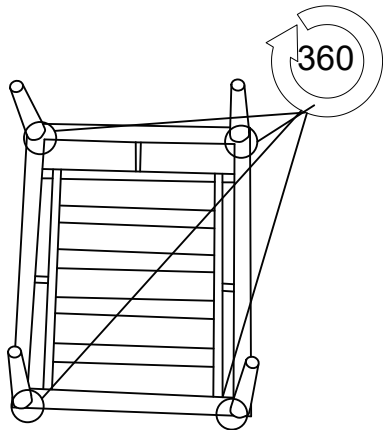
Step 2

Twist the Chair Leg (B) into Chair Frame (A) .

Step 3

Turn the chair in upright position,Place the back cushion (C&D),Seat Cushion (E) on the chair.





Your chair is now ready for use.



**IMPORTANT!! PLEASE READ ENTIRE  
INSTRUCTION SHEET BEFORE ASSEMBLY!!**

**7pcs Sectional Set- Left Arm Chair**

**Identify all parts packed in the carton against the parts list. Remove all protective materials. Place parts on a non-abrasive surface. If you are missing any parts or Are unsure how to proceed with assembly, please call customer service center**

Parts List							
A1	Chair frame		1	B	Chair Leg		4
C	Back Cushion		1	D	Seat Cushion		1

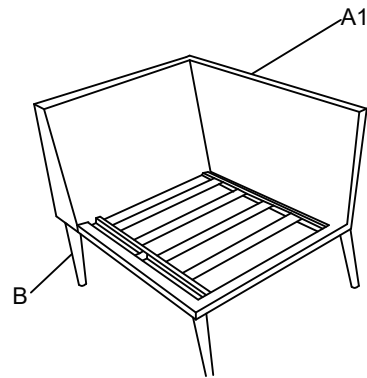
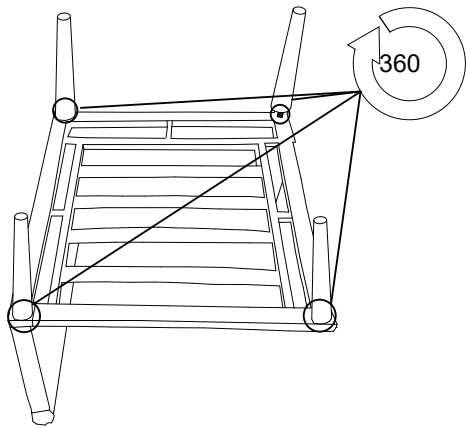
**Do not attempt to assemble the product if any parts are missing or damaged.**

**Step 1**

Place the Chair frame (A1) upside down on a flat,Soft surface .

**Step 2**

Twist the Chair Leg (B) to Chair Frame (A1) .



**Step 3**

Turn the chair in upright position,Place the back cushion (C),Seat Cushion (D) on the chair.

Your chair is now ready for use.

