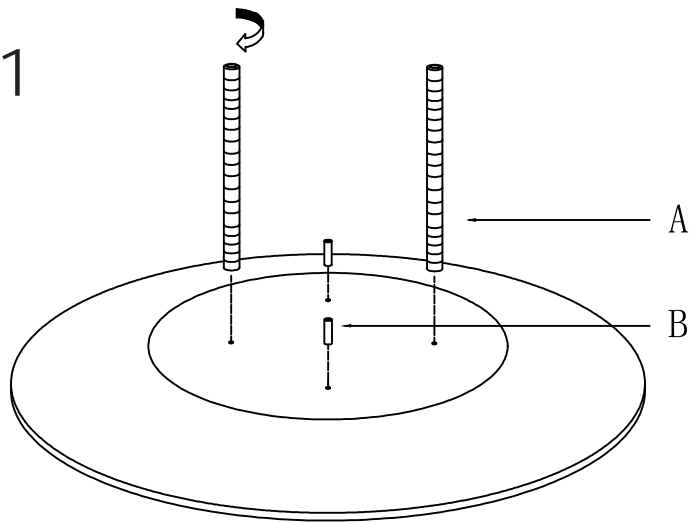
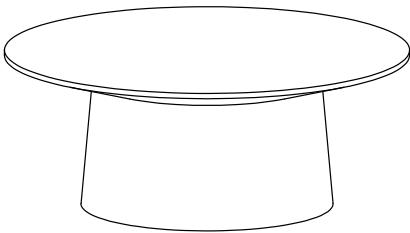
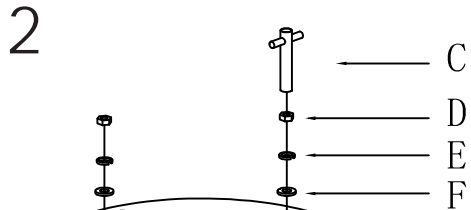



Assembly Instructions Coffee Table


PLEASE NOTE: Check that you have received all components and hardware before assembling. If you are missing any parts, contact your retailer.

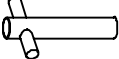



Note: 1. Check that the screws are inserted into the correct holes. 2. The screws should be inserted into the holes marked with 'A' and 'B'.






A (2 pcs)
M8 x 300

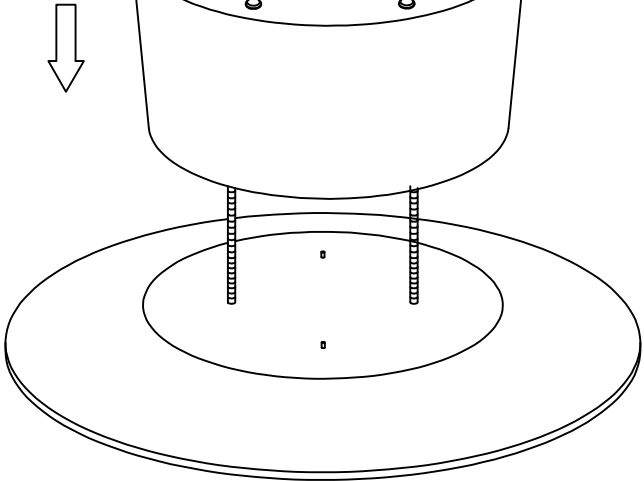

B (2 pcs)
ø10x40


C (1 pc)
M8


D (2 pcs)
M8


E (2 pcs)
ø8


F (2 pcs)
ø8

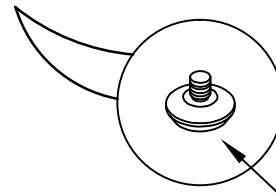
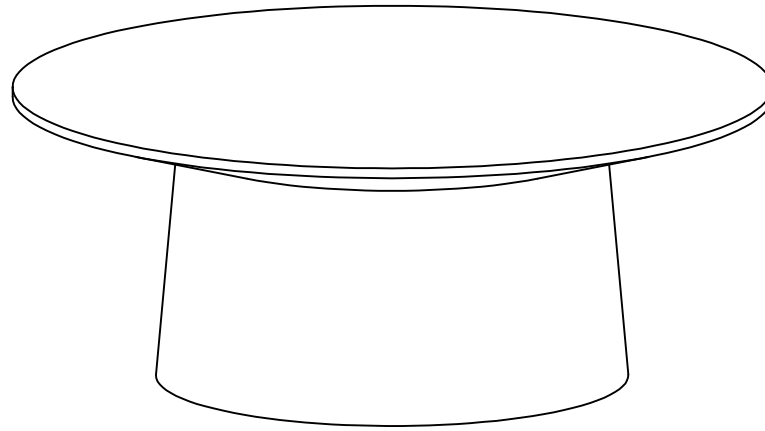


During assembly, hand tighten screws only. When the screws are in place, tighten completely.

Assembly Instructions

Coffee Table

PLEASE NOTE: Check that you have received all components and hardware before assembling. If you are missing any parts, contact your retailer.



NOTE: If the table is wobbly, the plastic feet (6 pcs) can be adjusted as needed. Turn right to bring the feet in, or turn left to bring the feet out more.

During assembly, hand tighten screws only. When the screws are in place, tighten completely.