
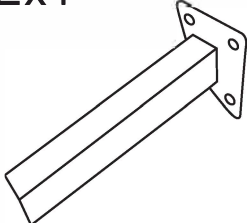
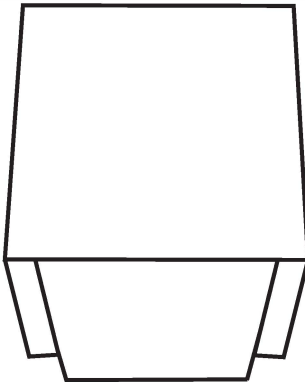
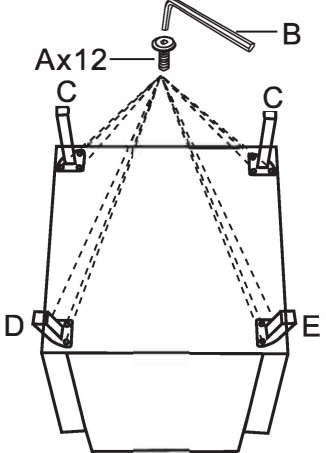
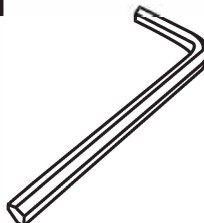
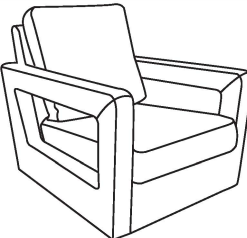
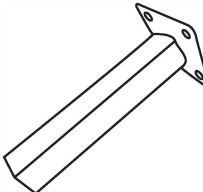

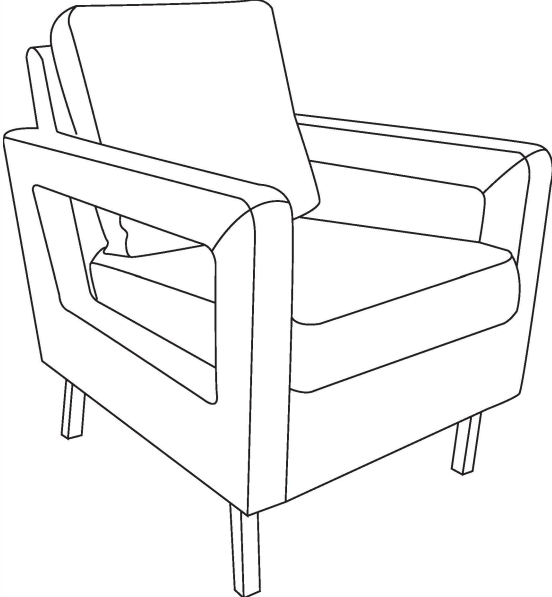


Assembling Instruction

<p>Ax12</p>  <p>M6x18MM</p>	<p>Ex1</p> 	<p>①</p> 	<p>② Do not fully tighten the bolts until all the bolt align with the hole. Pls be sure you align the hole first.</p> 
<p>Bx1</p> 	<p>Fx1</p> 		
<p>Cx2</p> 	<p>Gx2</p> <p>EXTRA PARTS</p> 	<p>③</p>  <div data-bbox="1780 909 2072 1260"><p>For velvet: With help of adult partner, Iron the fabric cover to stretch the wrinkles and dent mark with steam iron while necessary. please separate with a towel before ironing..</p></div>	
<p>Dx1</p> 