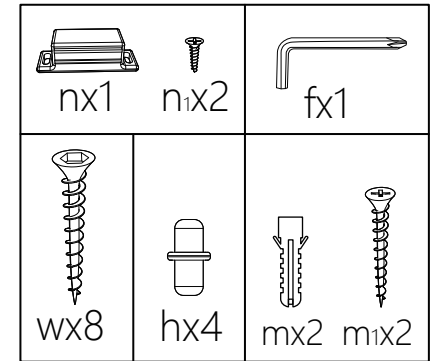
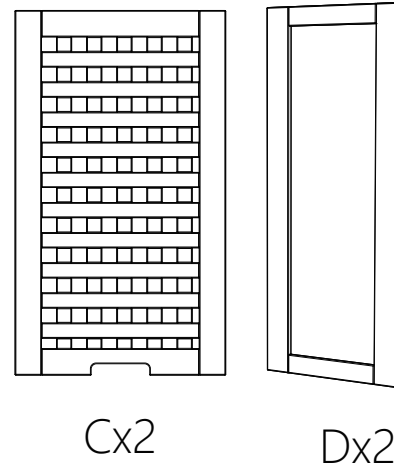
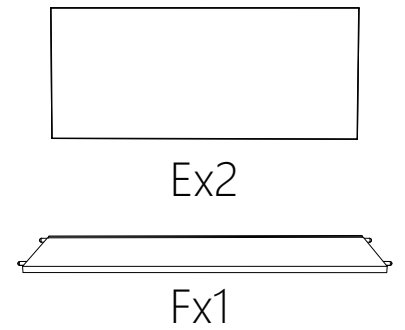
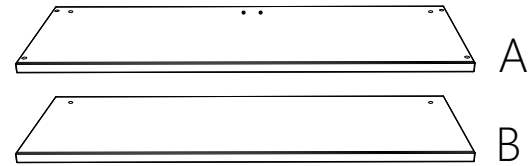
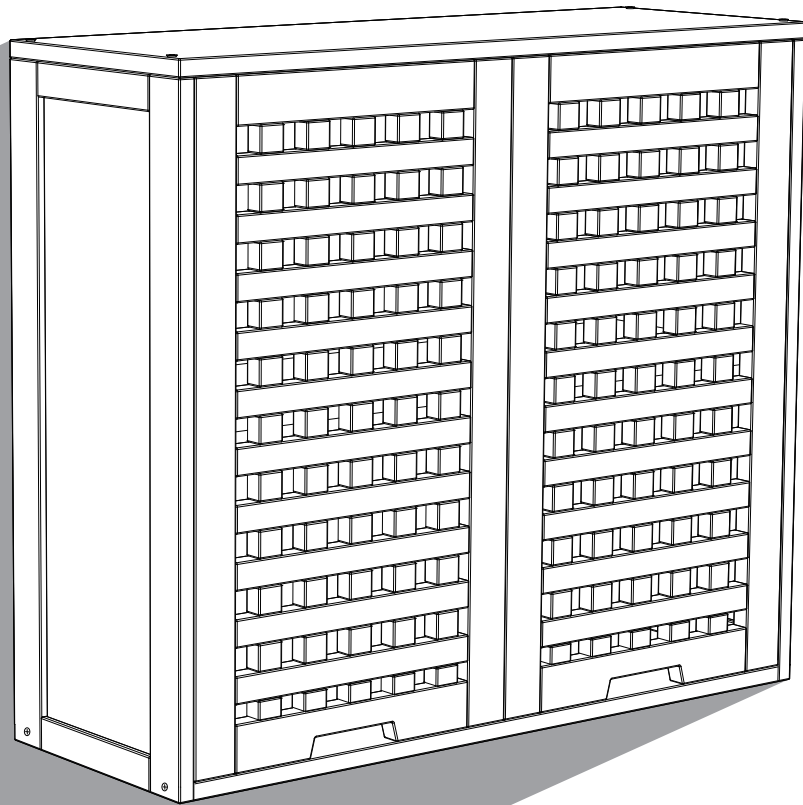
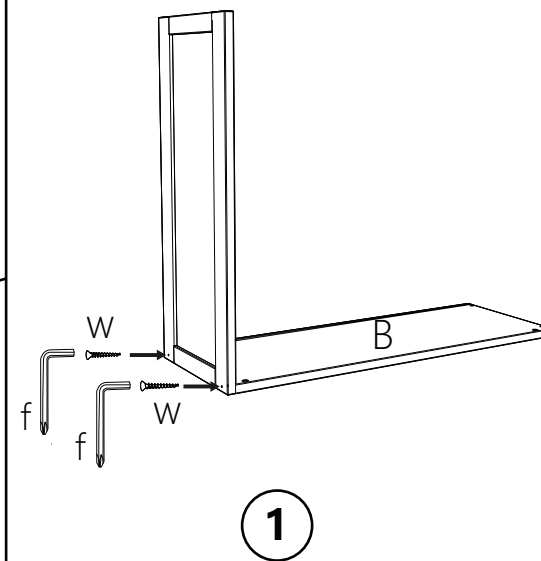


WALL CABINET

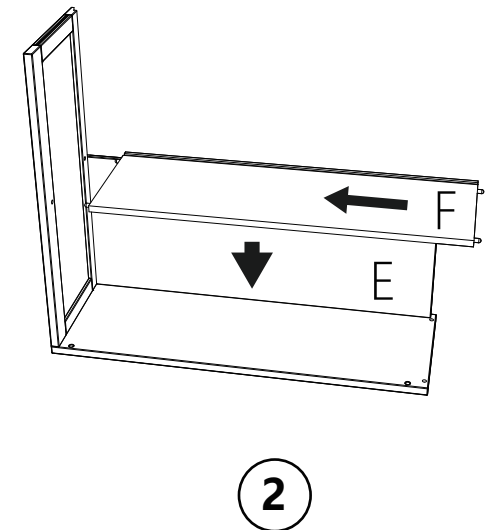
There are 8 detailed steps to guide your installation, follow the steps 1 > 2 > 3 > 4 > 5 > 6 > 7 > 8



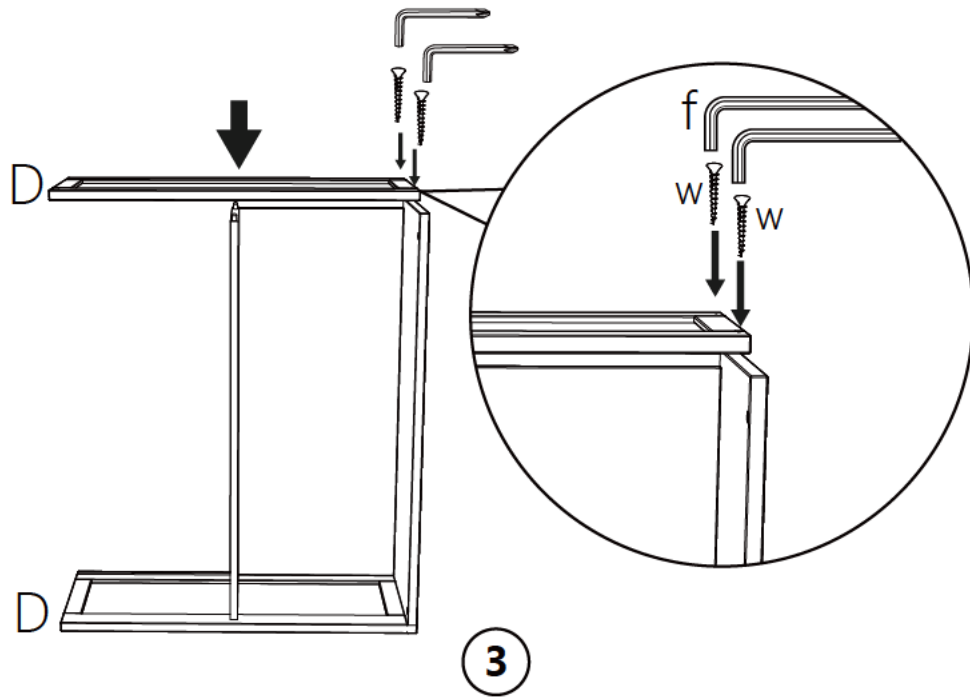
First install one side panel "D" and bottom panel "B" together



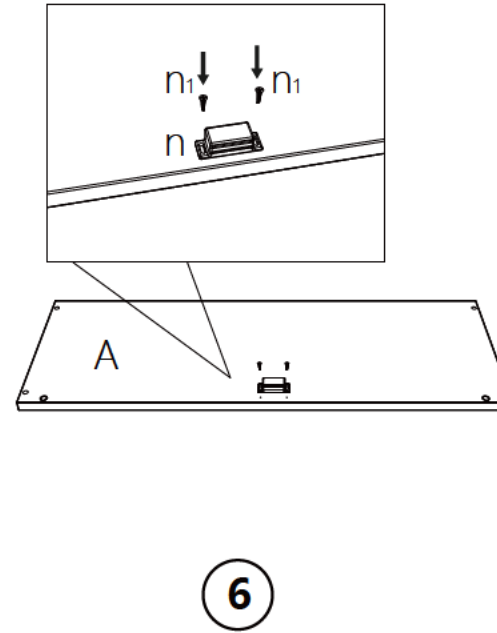
Then insert one back panel "E" and middle panel "D"



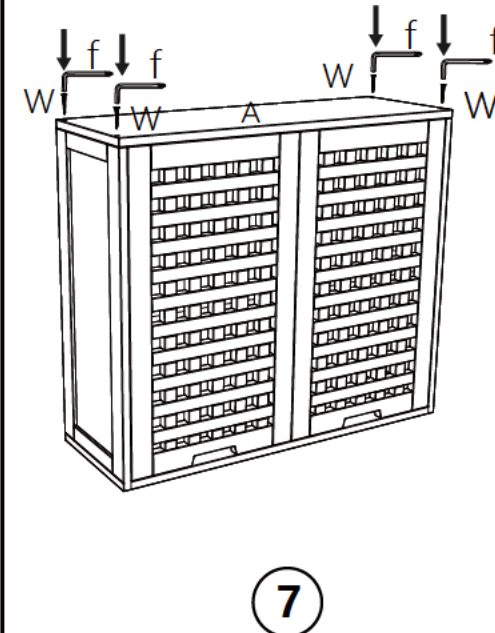
Next put the installed side panel "D" on the ground to install another side panel "D"



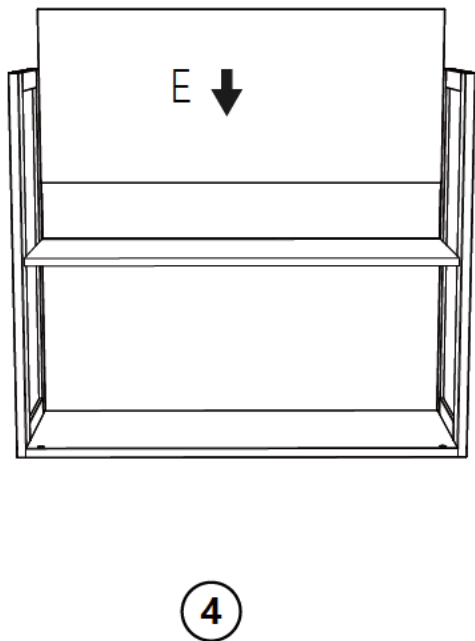
This step we need to install the magnet "n" to the top panel "A"



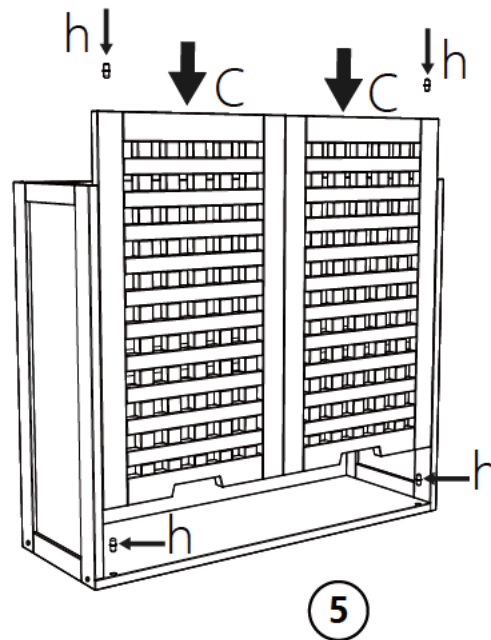
Then install top panel "A"



Next insert the top back panel "E"



Next install two door "C" by 4 metal parts "h"
Note: The door handle should be in the bottom



The last step install the cabinet on the wall. Congratulations on your success!

