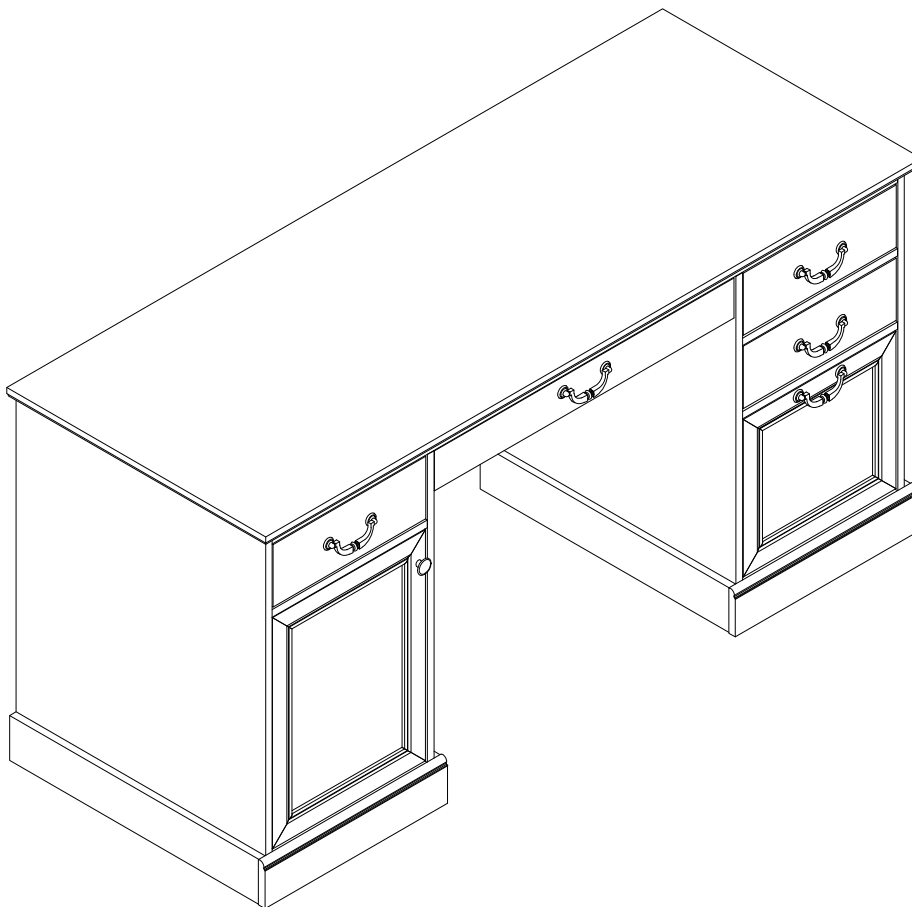


ASSEMBLY INSTRUCTIONS

Executive Desk

Thank you for purchasing this quality product. Be sure to check all packing materials carefully for small parts which may have come loose inside the carton during shipment. Identify and count all parts and compare with the parts list below page.



Important Safety Instructions:

- Please read all instructions before beginning assembly
- Please make sure receive all the parcels to start the assembly
- For your safety and convenience, assembly by two people is recommended
- Use the parts and hardware lists to identify and separate each of the components included
- Save all packing materials until assembly is completed to avoid the accidental discarding of smaller parts or hardware
- Use of power tools is not recommended

PARTS LIST

1 X1

2 X1

3 X1

4 X1

5 X1

6 X2

7 X7

8 X1

9 X1

10 X2

11 X1

12 X3

13 X3

14 X3

15 X3

16 X3

17 X1

18 X1

19 X1

20 X1

21 X1

22 X4

23 X2

24 X1

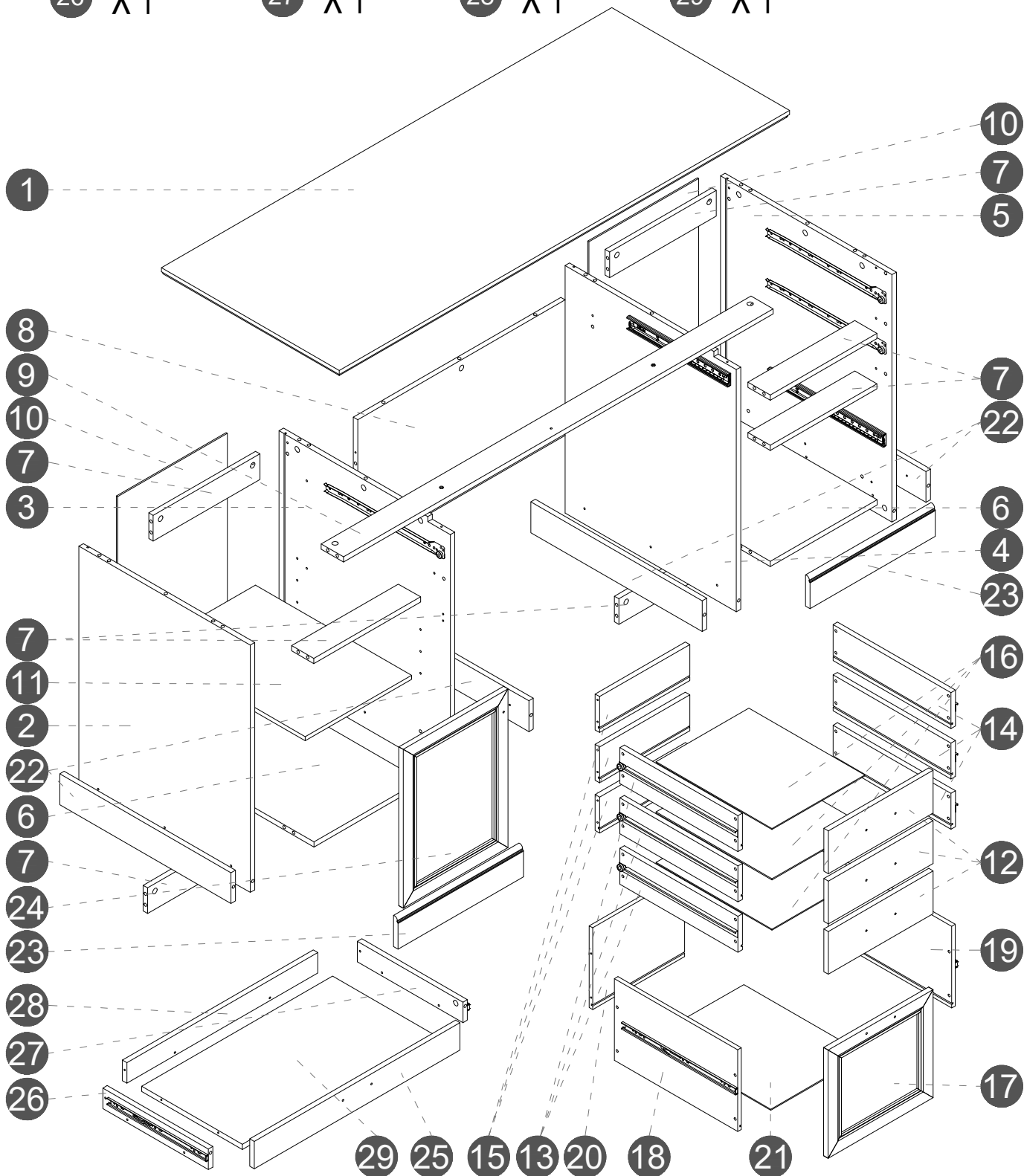
25 X1

26 X1

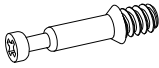


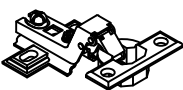


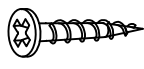

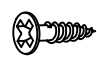
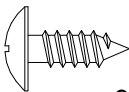
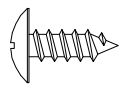
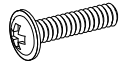
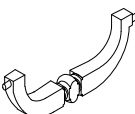

27 X1

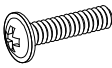

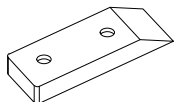
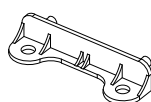
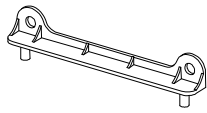
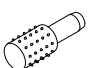
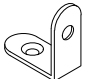
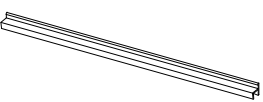
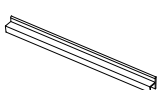
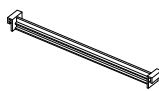
28 X1

29 X1



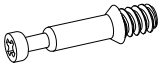
HARDWARE LIST

Name	Part	Qty.	Spare
A		49	1
B		49	1
C		42	1
D		2	
E	 2" Screw	6	
F	 1-1/2" Screw	24	1
G	 1" Screw	13	1
H	 5/8" Screw	2	
I	 9/16" Screw	12	1
J	 9/16" Screw	16	1
K	 1/2" Screw	16	1
L	 16/25" Screw	10	1
M		5	
N		10	

Name	Part	Qty.	Spare
O	 10/13" Screw	1	
P		1	
Q		1	
R		6	
S		2	
T		4	
U		2	
V		2	
W		1	
X		1	

STEP 1

A x4pcs



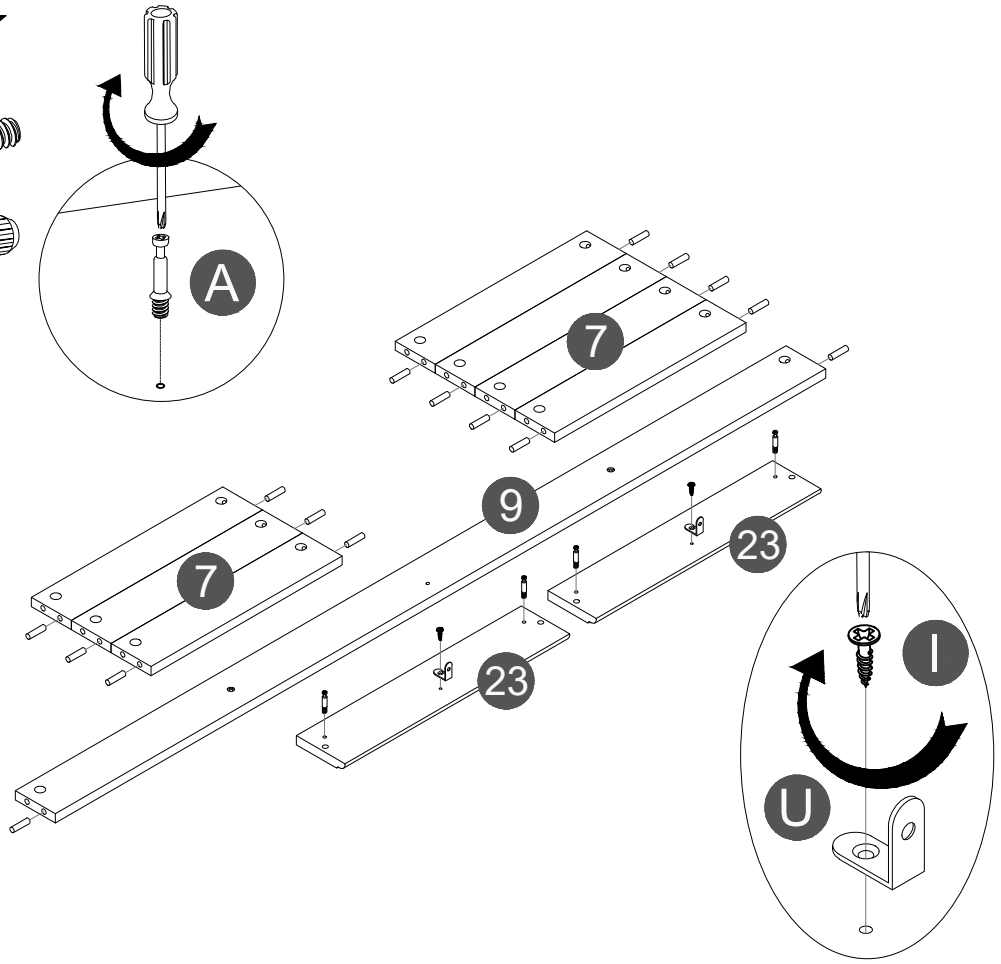
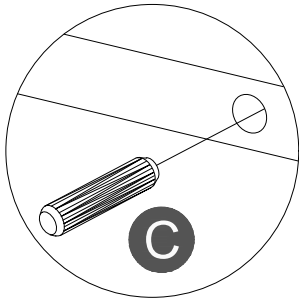
C x16pcs



U x2pcs

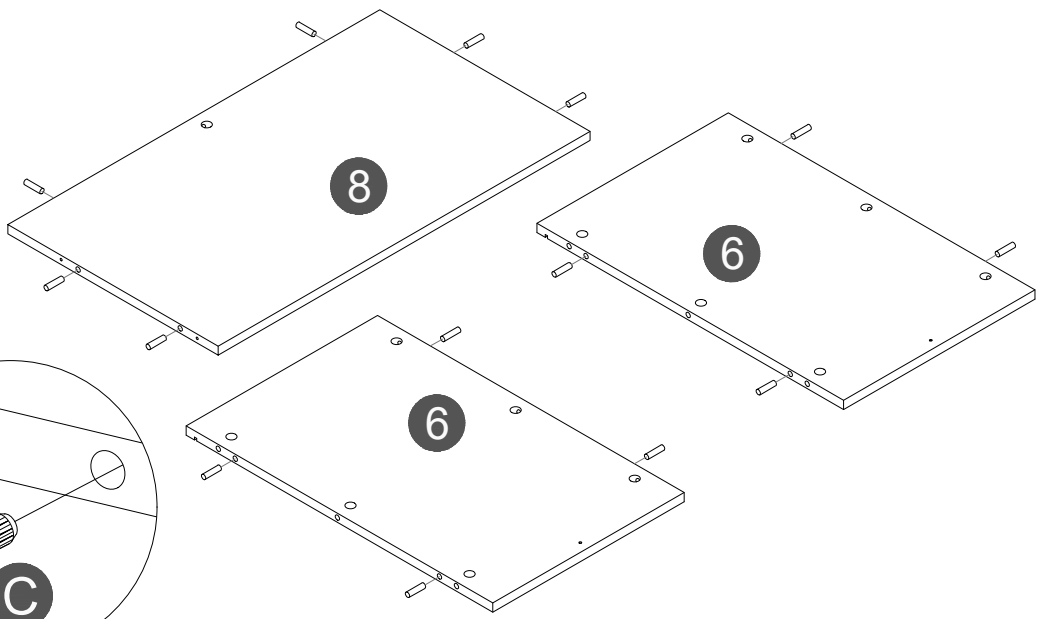
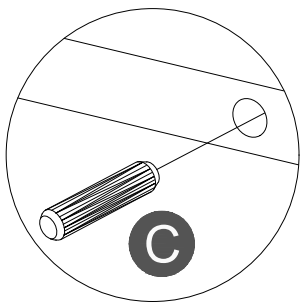
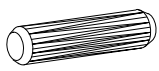


I x2pcs



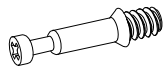
STEP 2

C x14pcs



STEP 3

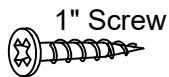
A x13pcs



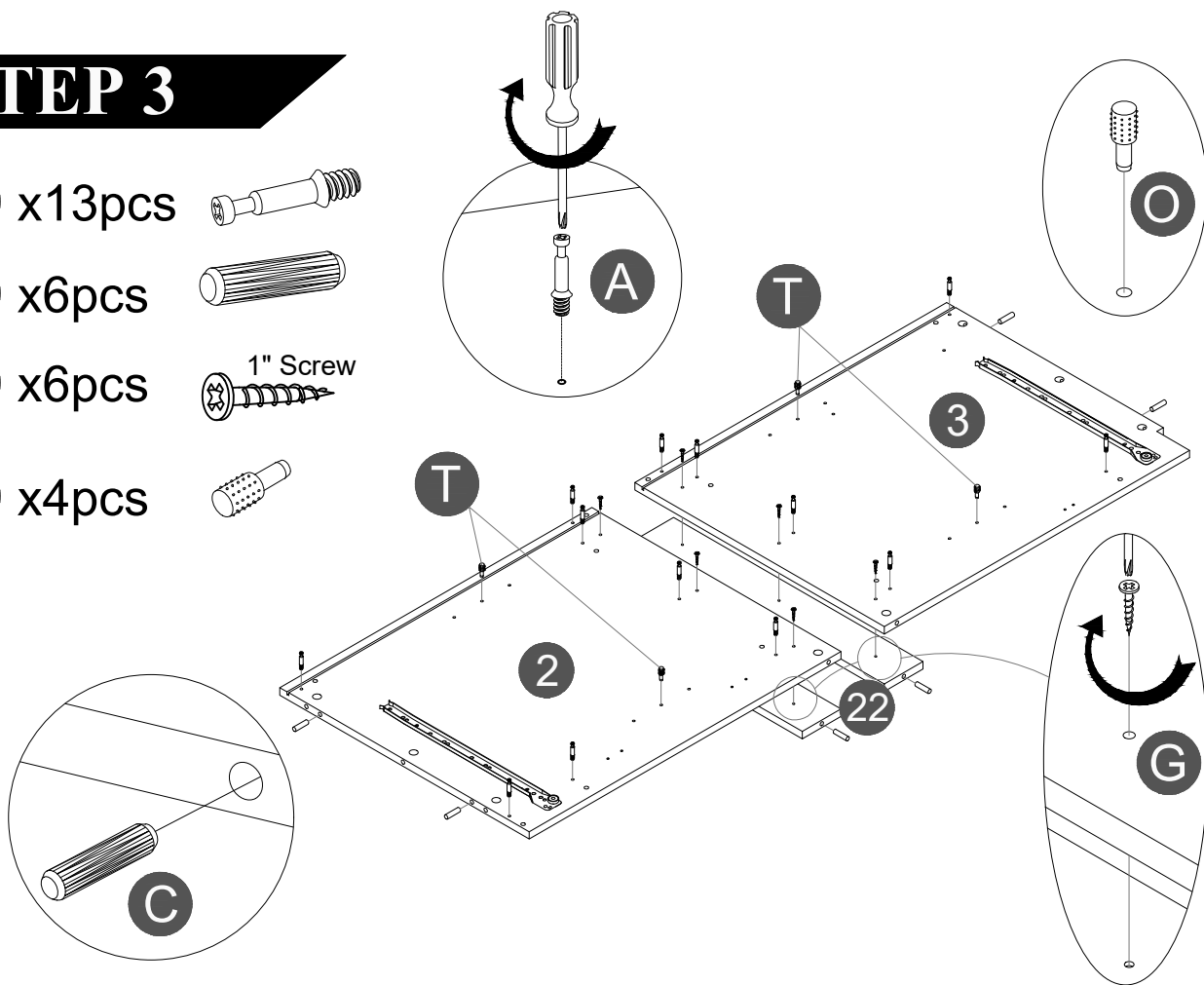
C x6pcs



G x6pcs

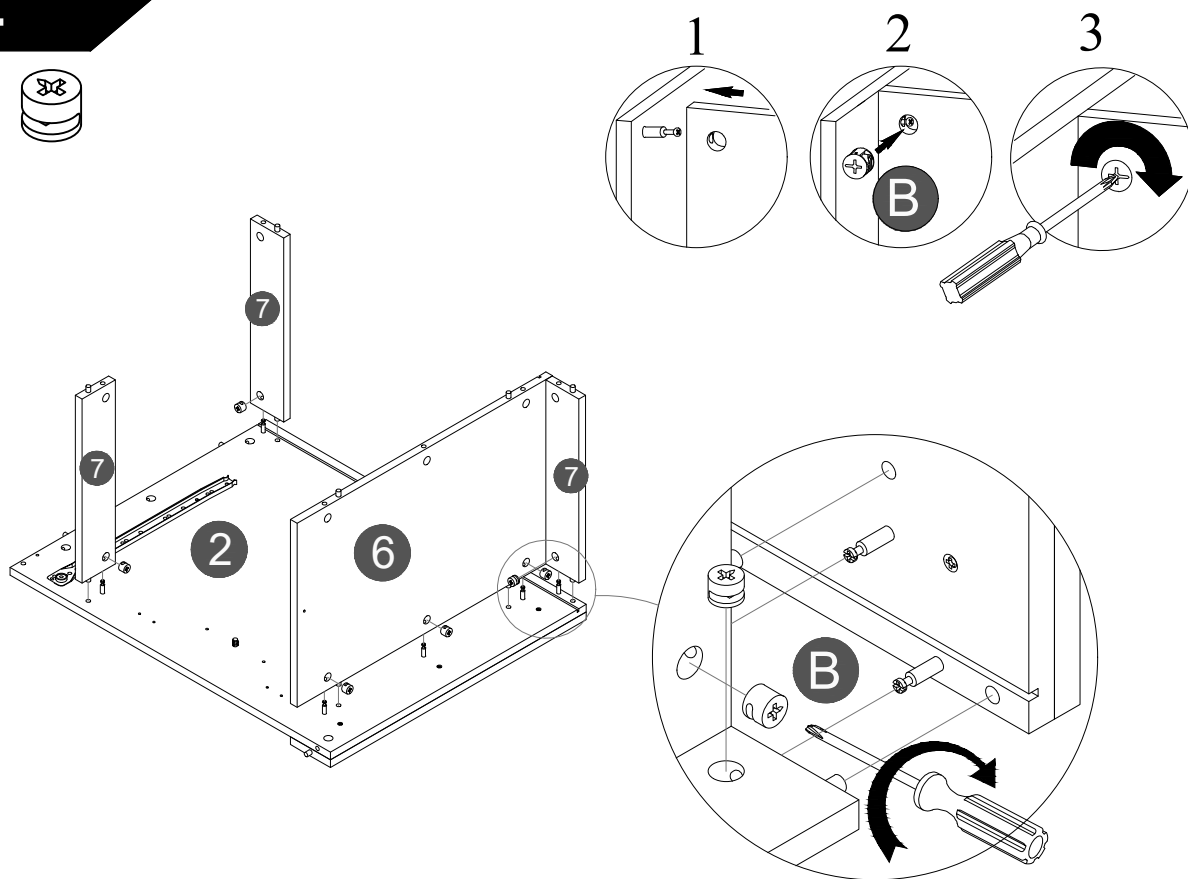


T x4pcs



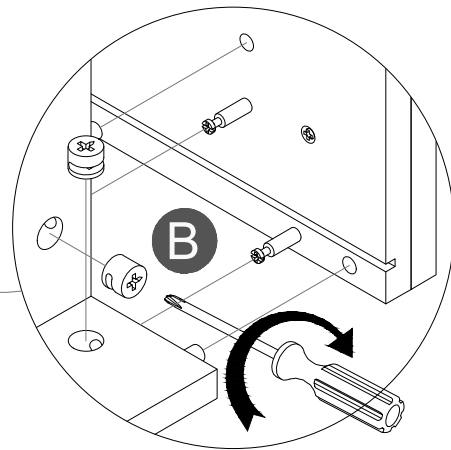
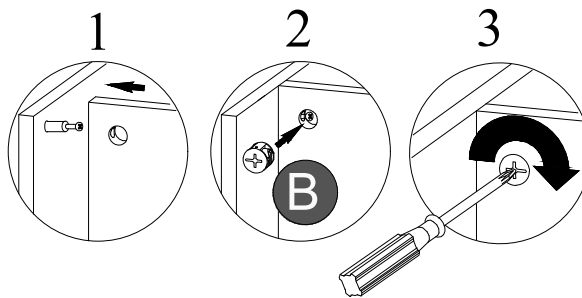
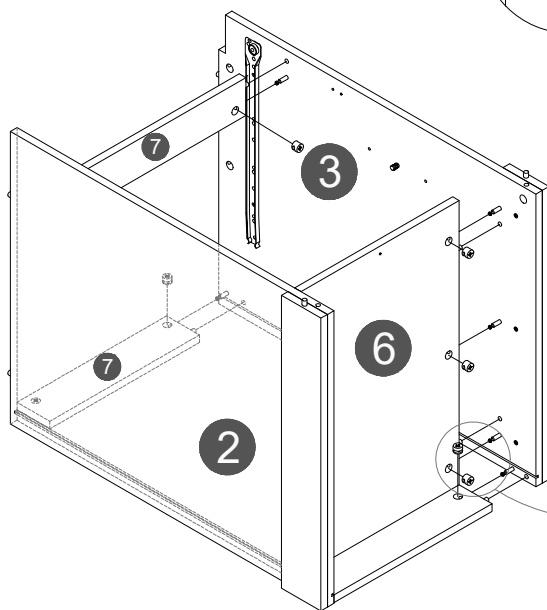
STEP 4

B x6pcs



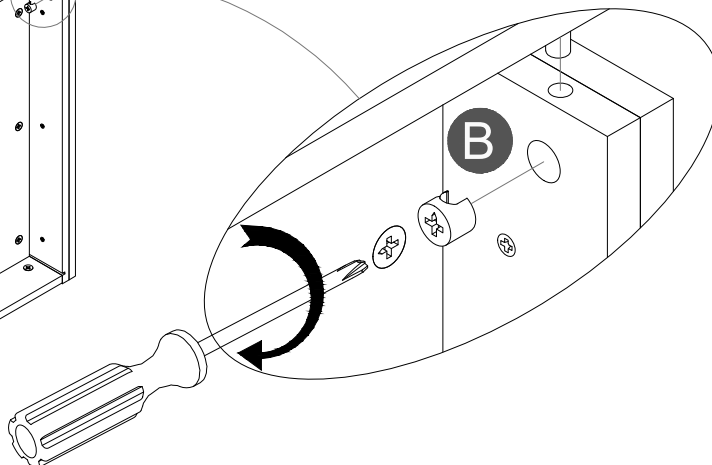
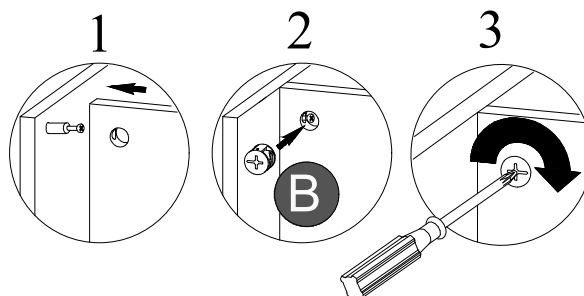
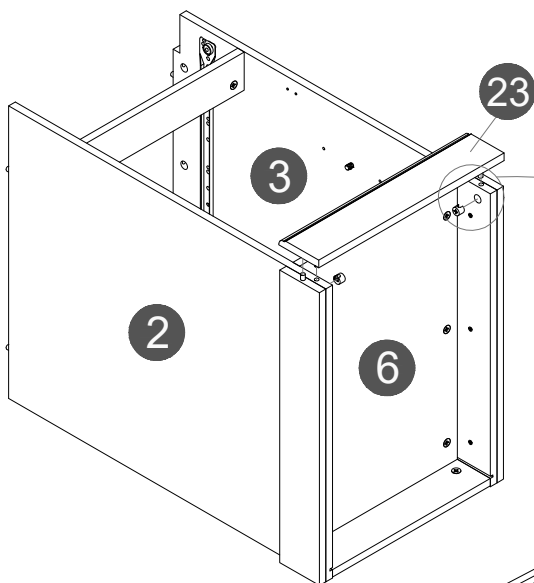
STEP 5

B x6pcs



STEP 6

B x2pcs



STEP 7

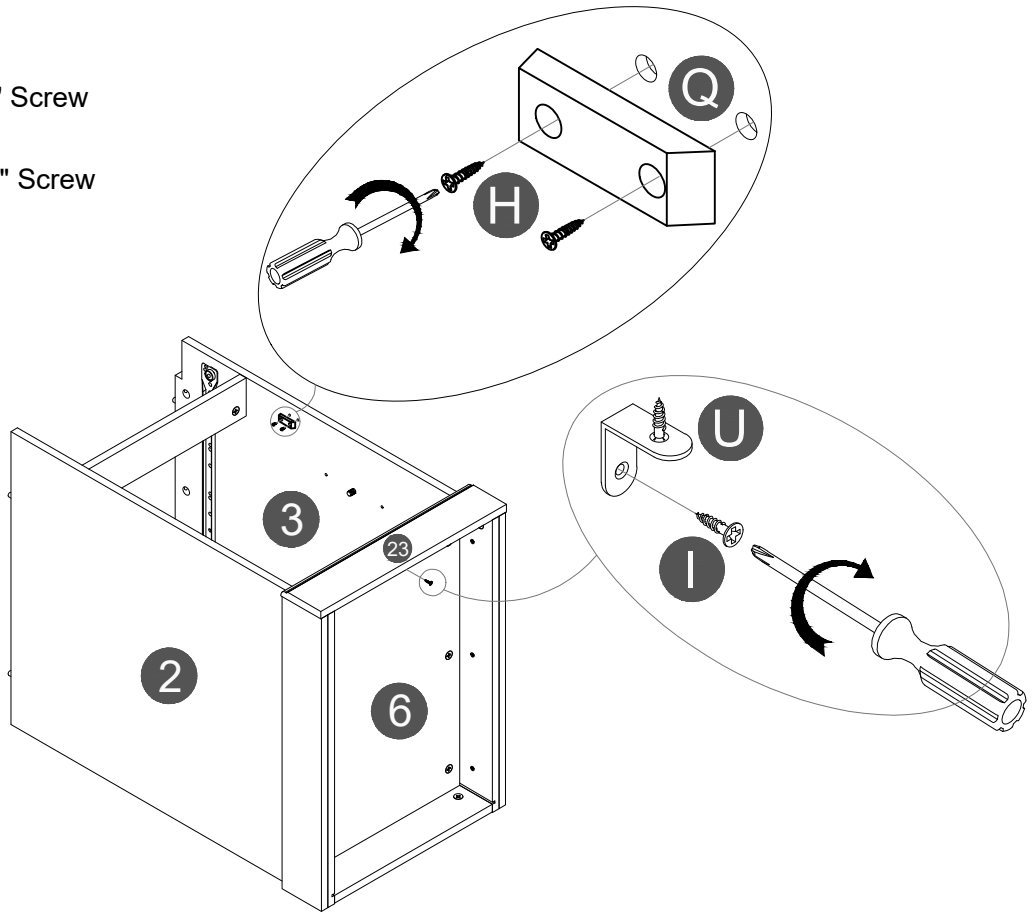
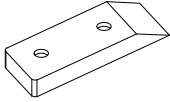
I x1pcs

9/16" Screw

H x2pcs

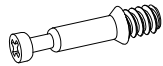
5/8" Screw

Q x1pcs



STEP 8

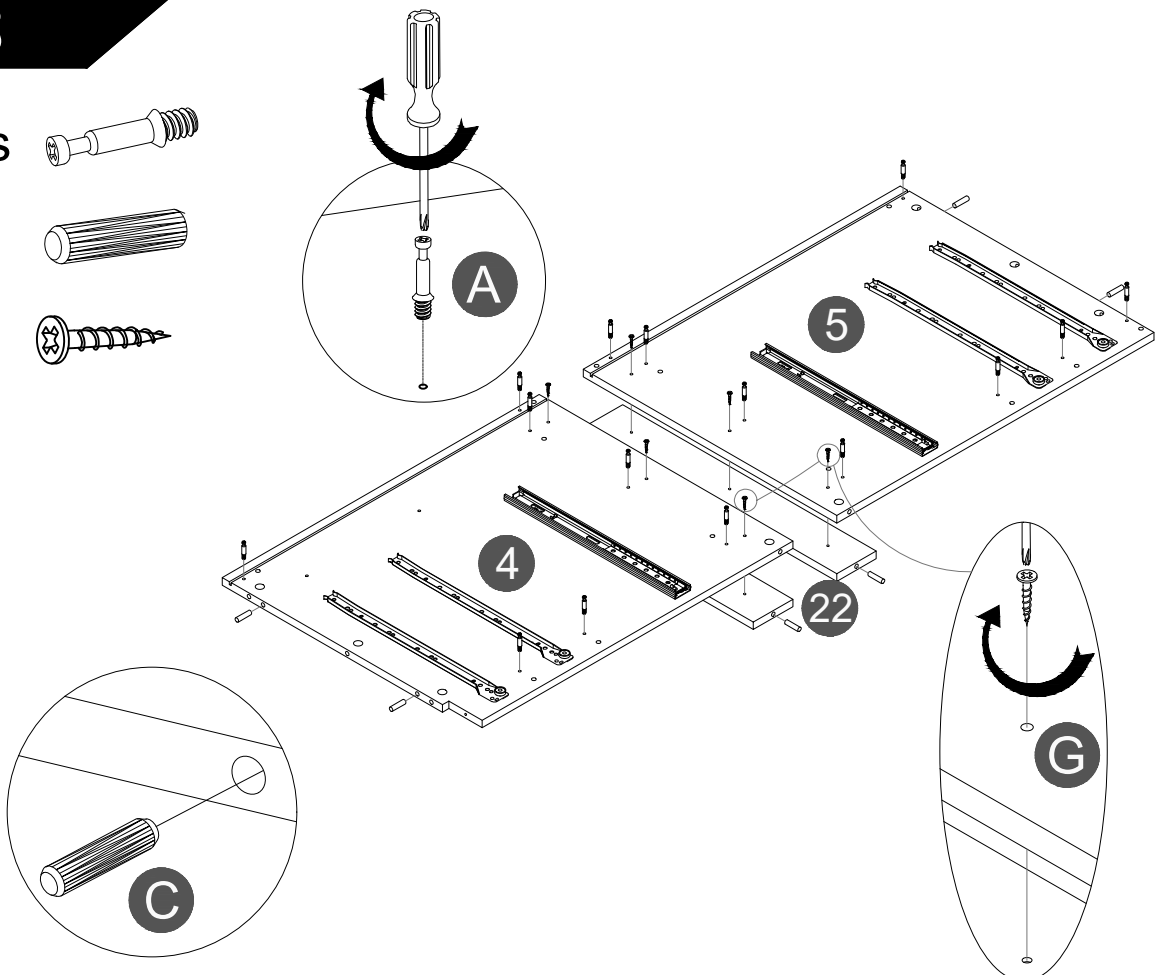
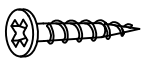
A x15pcs



C x6pcs

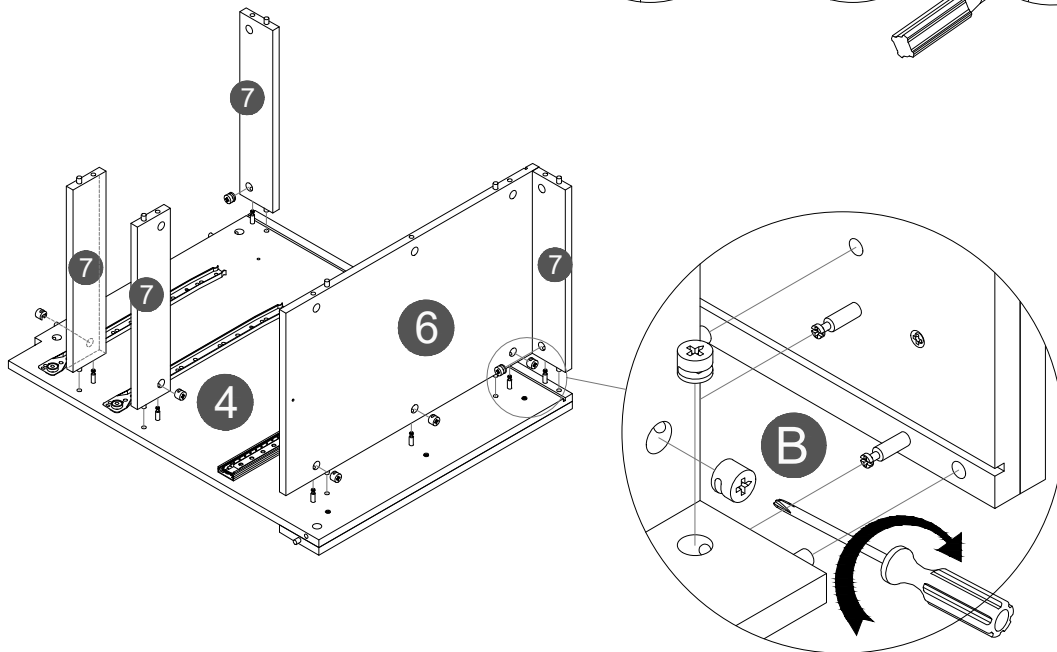
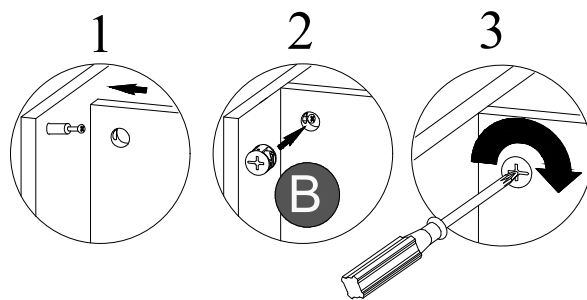


G x6pcs



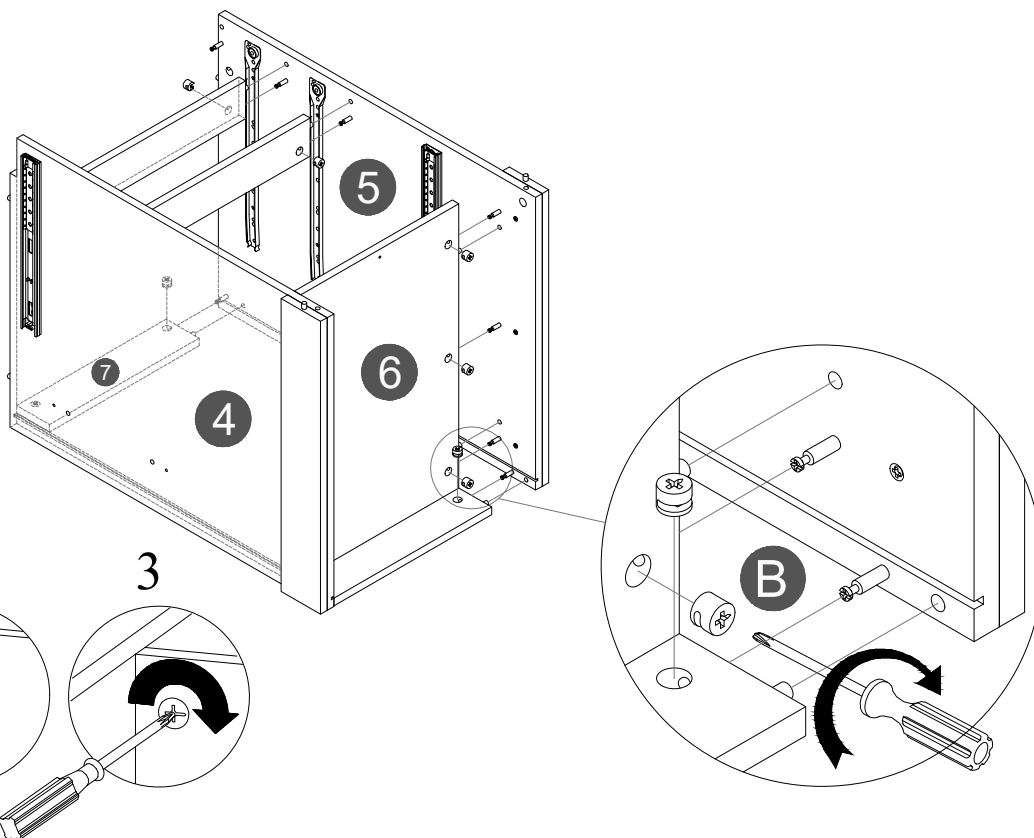
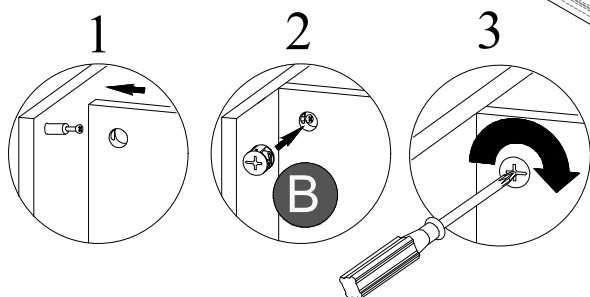
STEP 9

B x7pcs



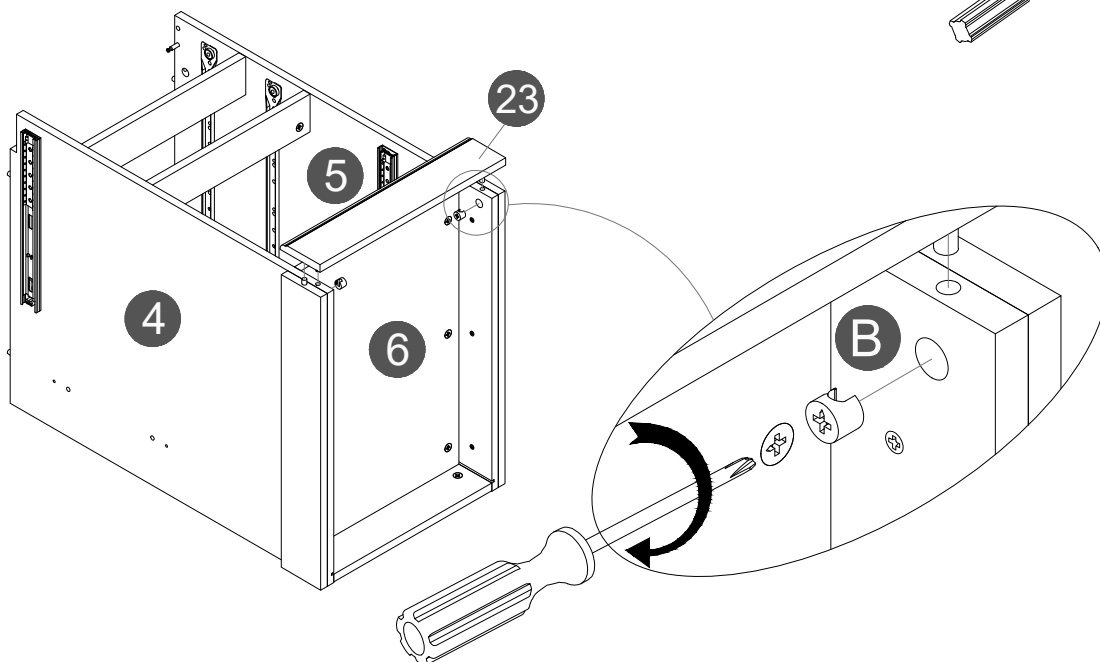
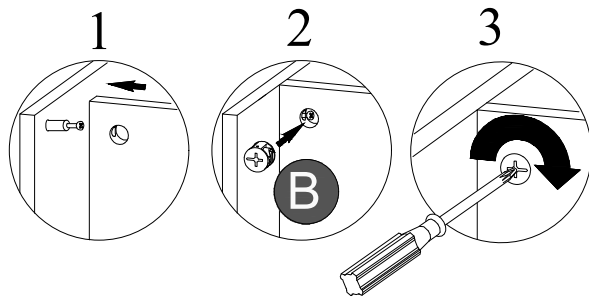
STEP 10

B x7pcs



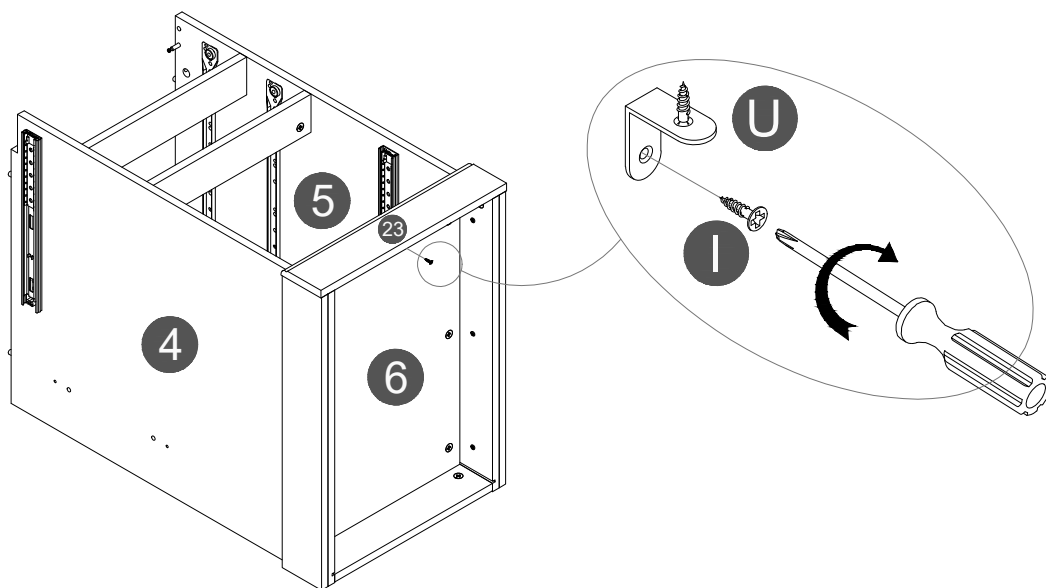
STEP 11

B x2pcs



STEP 12

I x1pcs

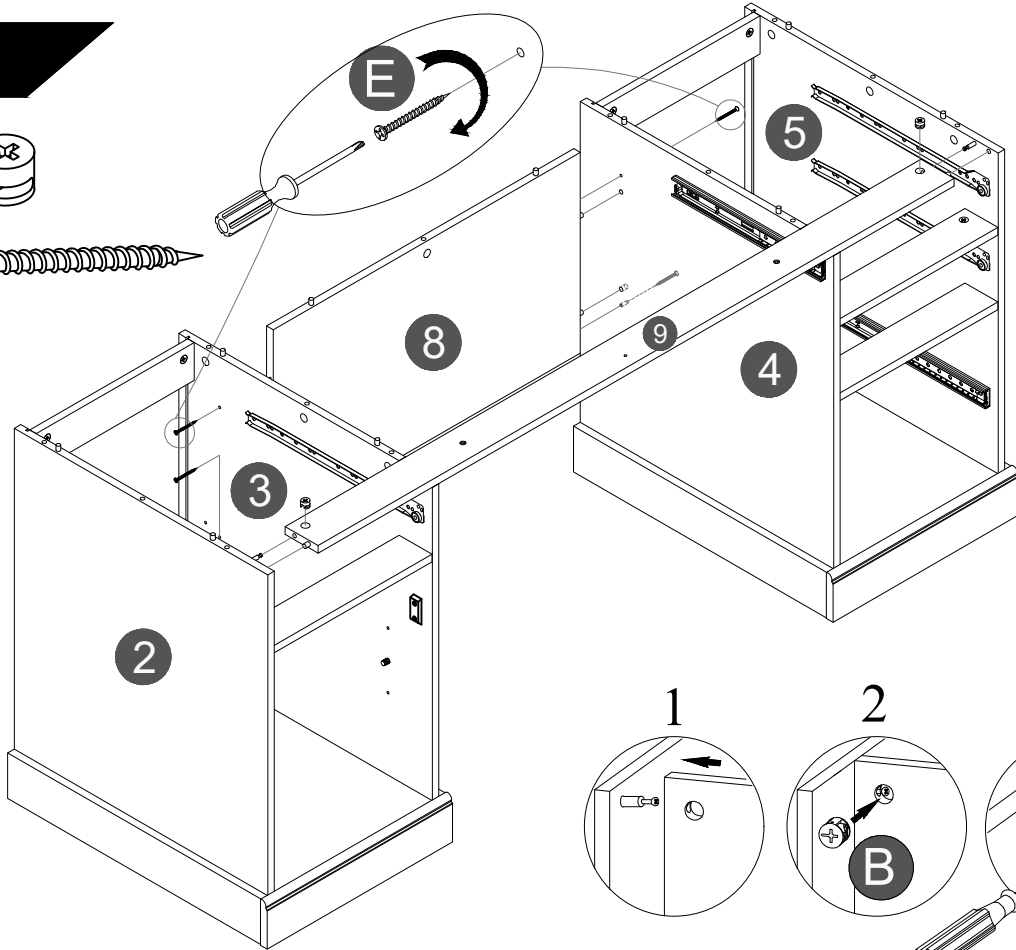
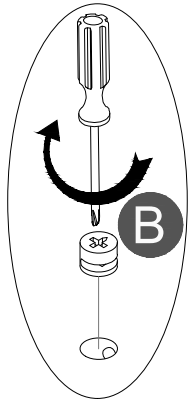


STEP 13

B x2pcs

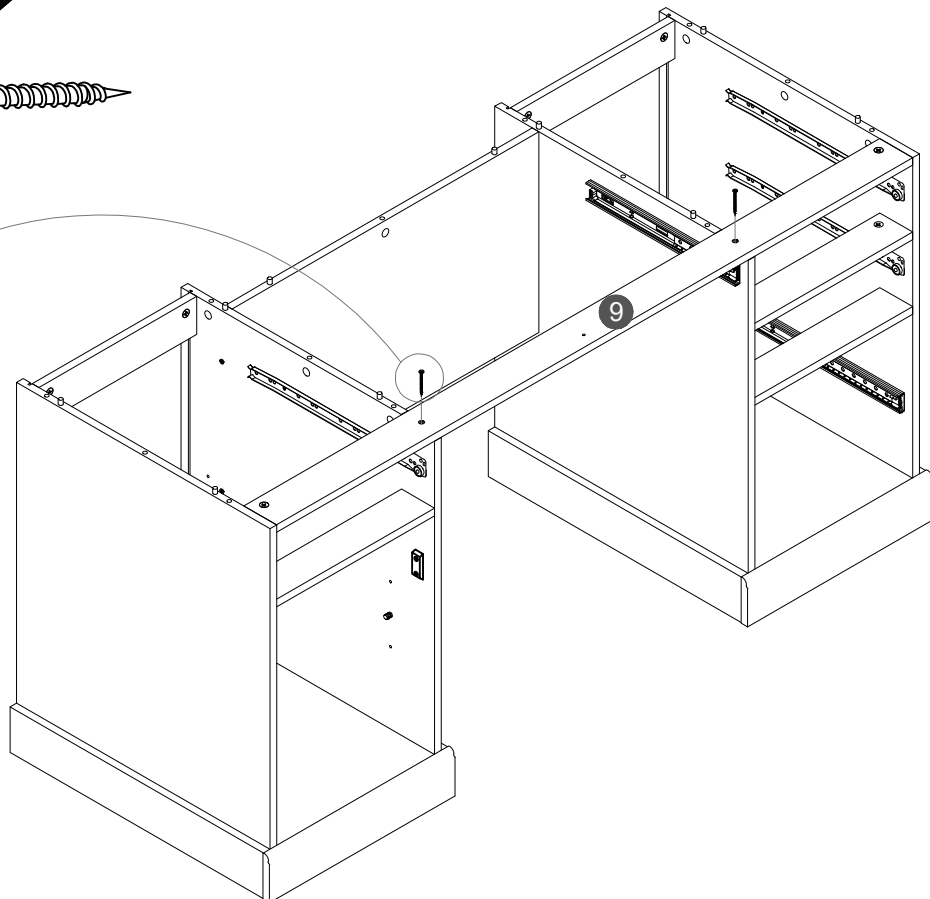
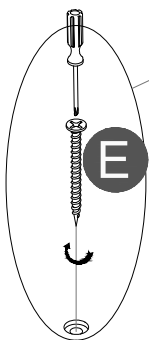


E x4pcs

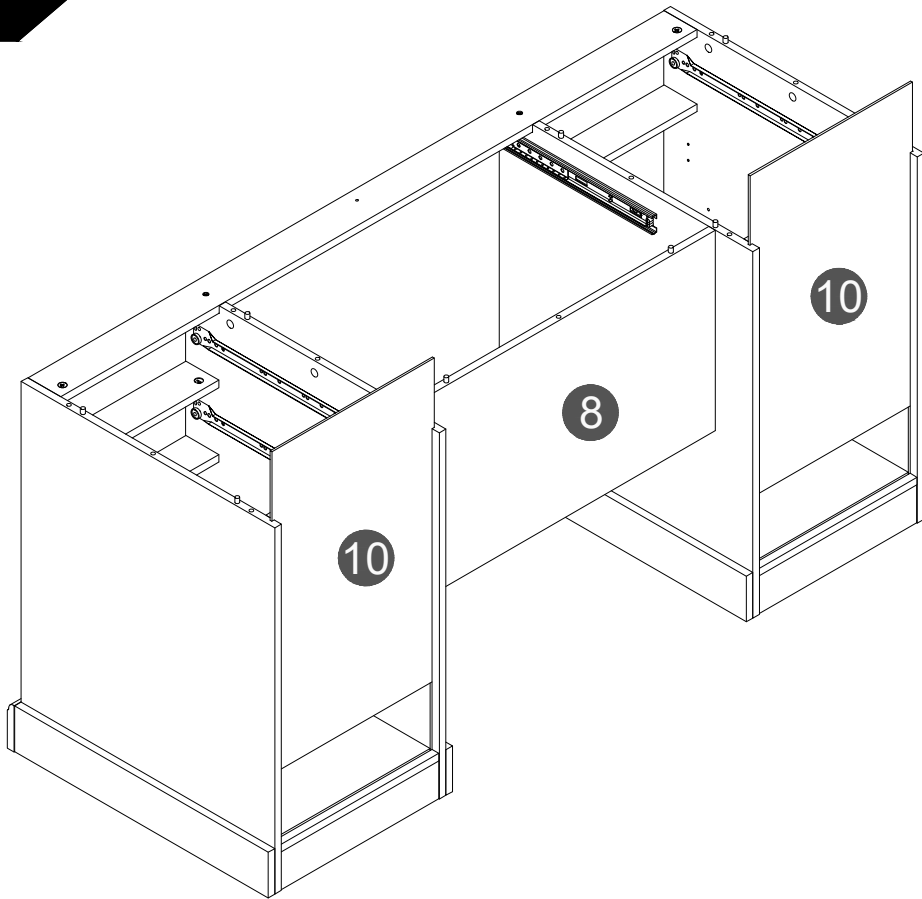


STEP 14

E x2pcs

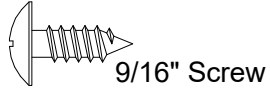


STEP 15



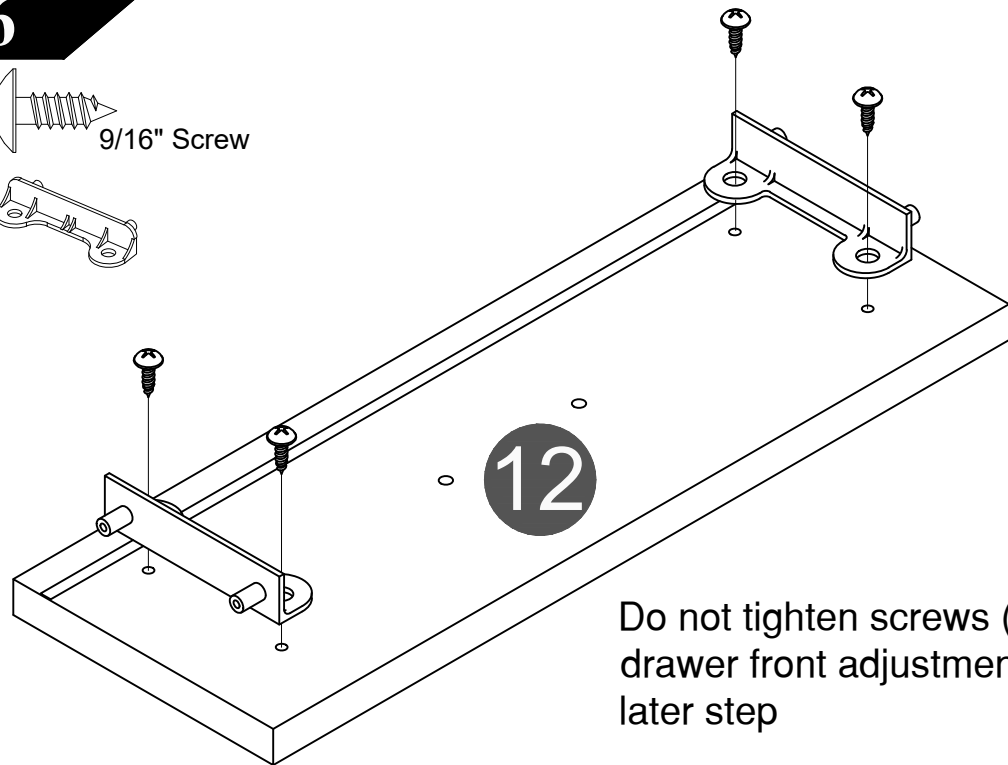
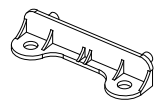
STEP 16

J x12pcs



9/16" Screw

R x6pcs



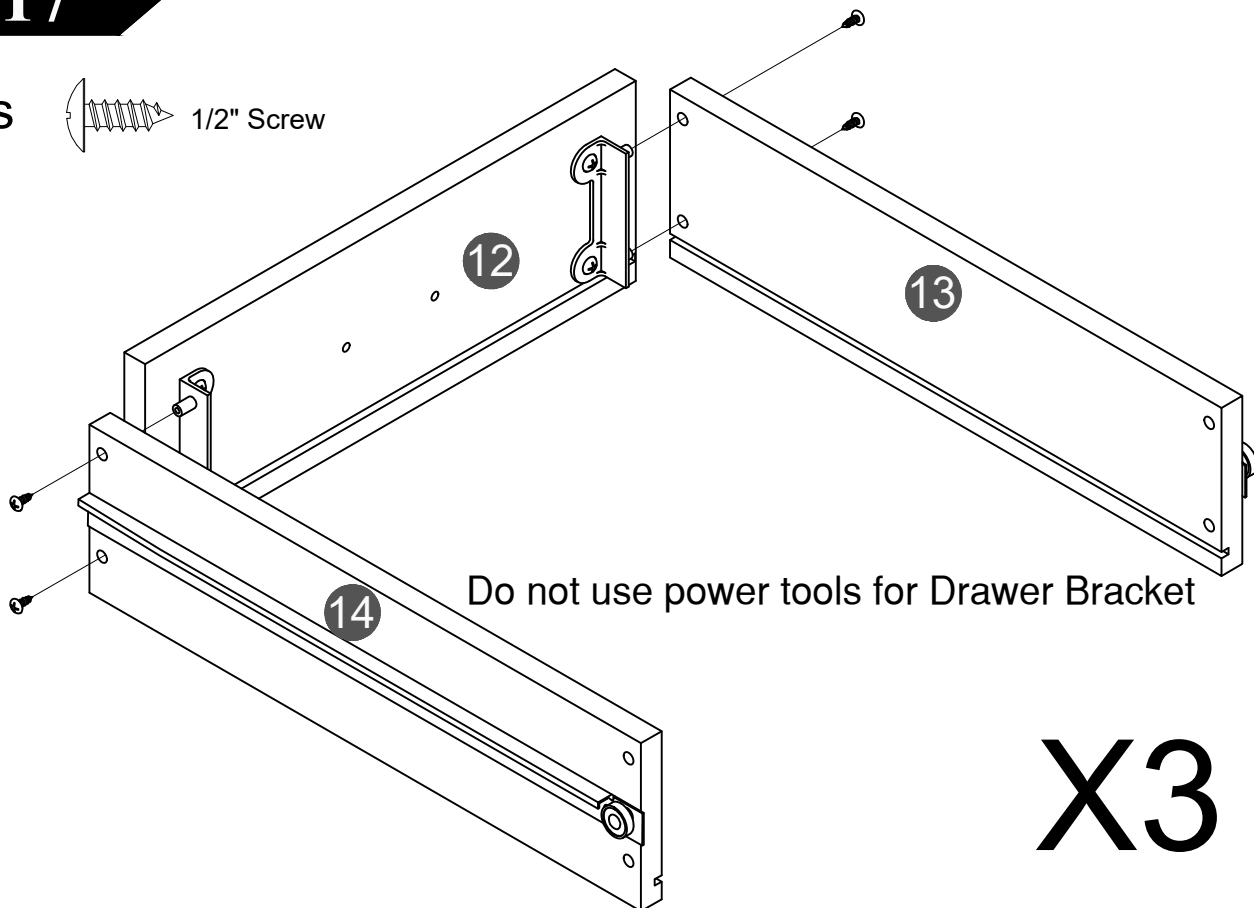
Do not tighten screws (J) for drawer front adjustment on later step

Do not use power tools for Drawer Bracket

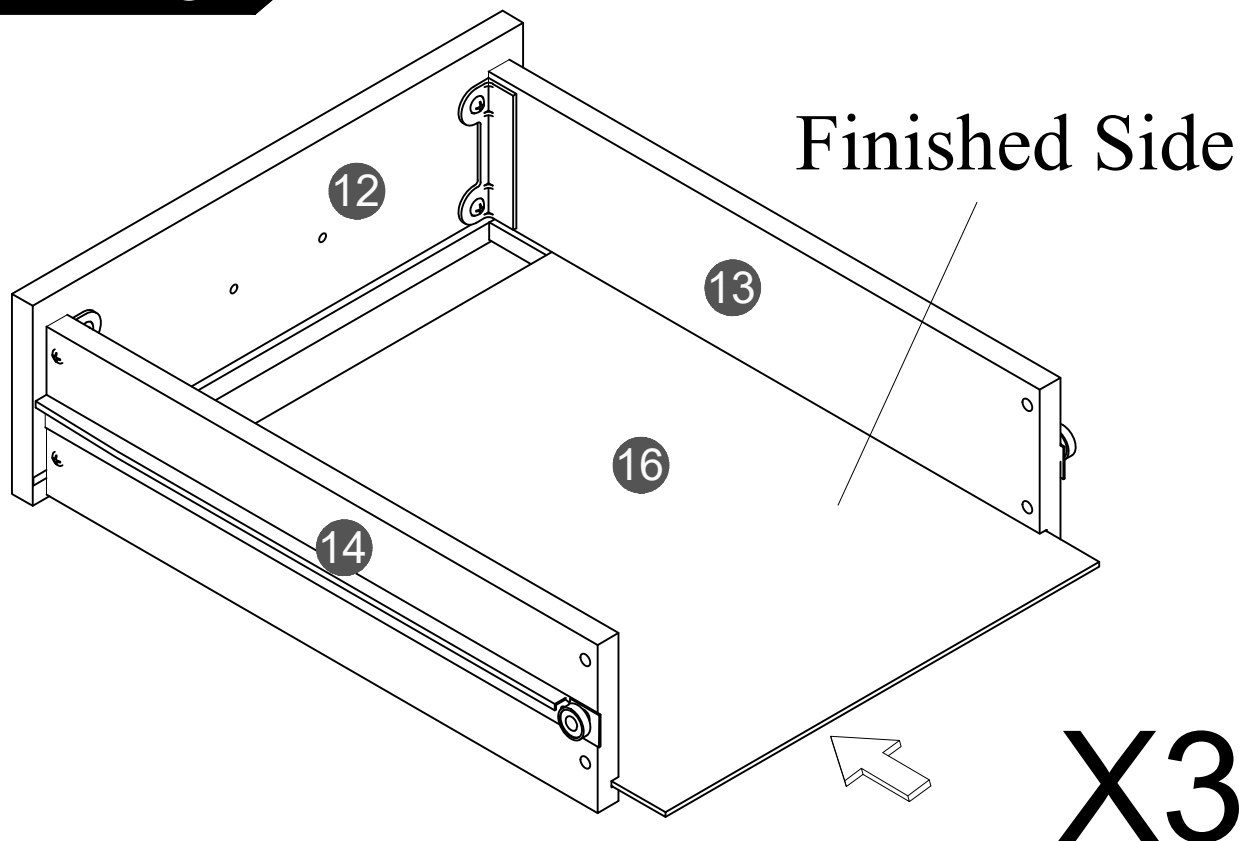
X3

STEP 17


K x12pcs

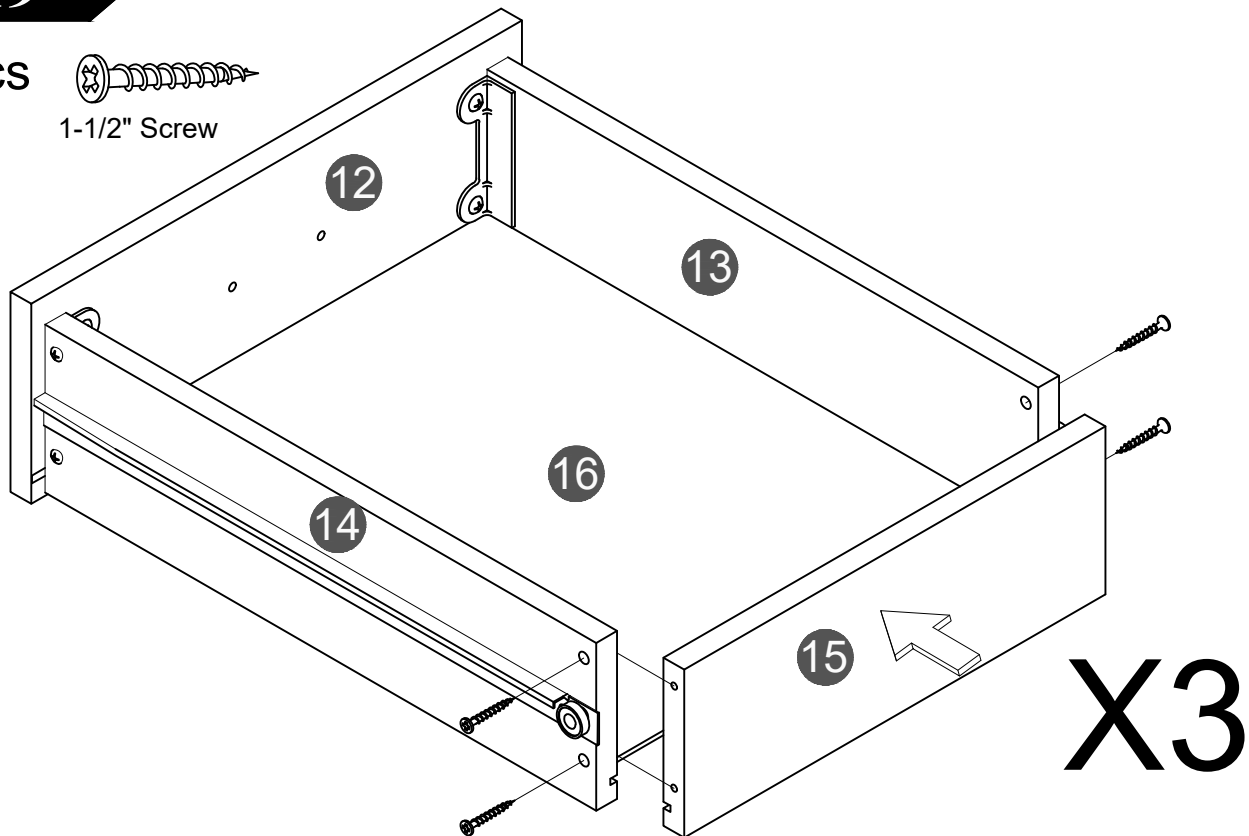


STEP 18



STEP 19

F x12pcs 
1-1/2" Screw

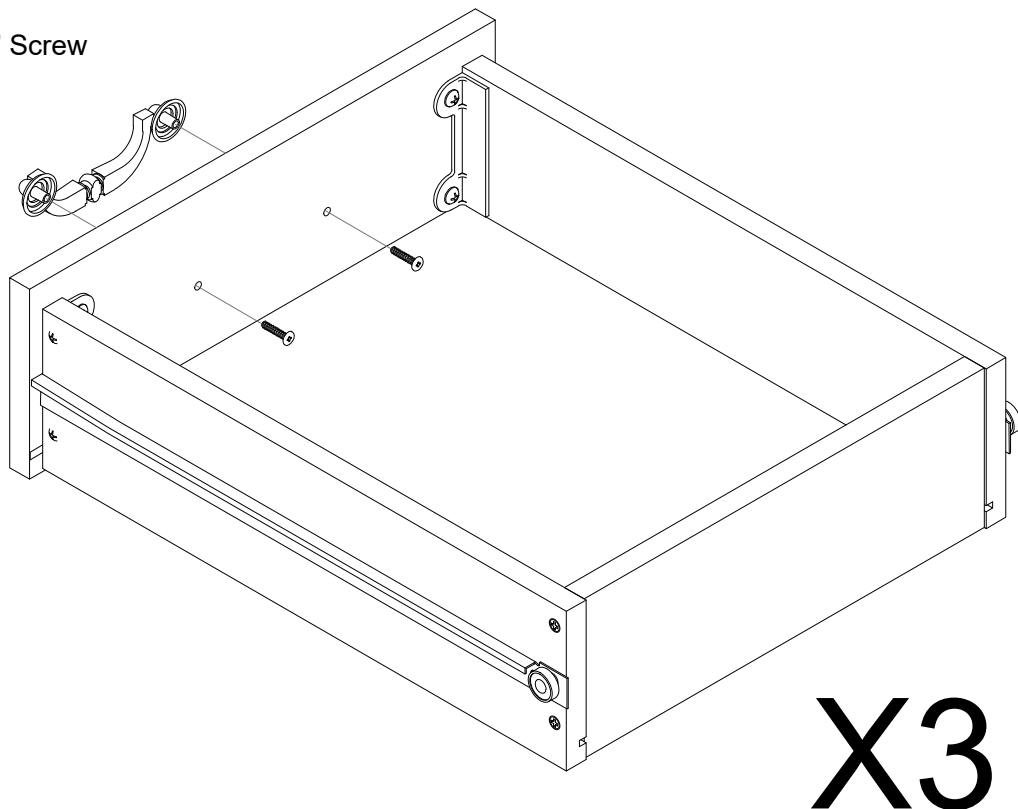


STEP 20

L x6pcs 
16/25" Screw

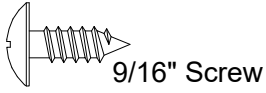
M x3pcs 

N x6pcs 

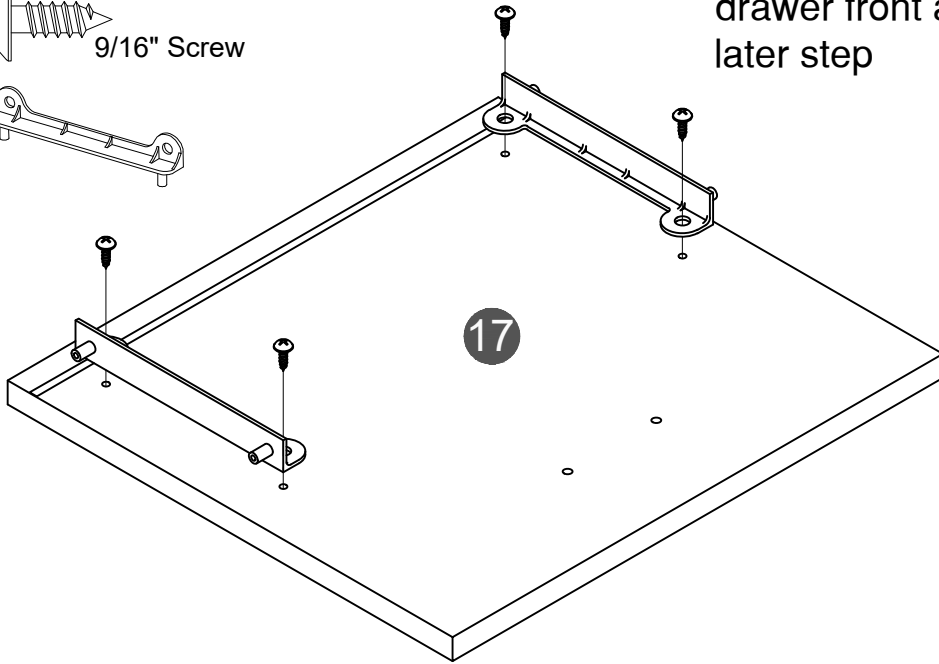
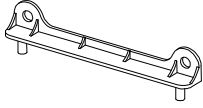


STEP 21

J x4pcs



S x2pcs

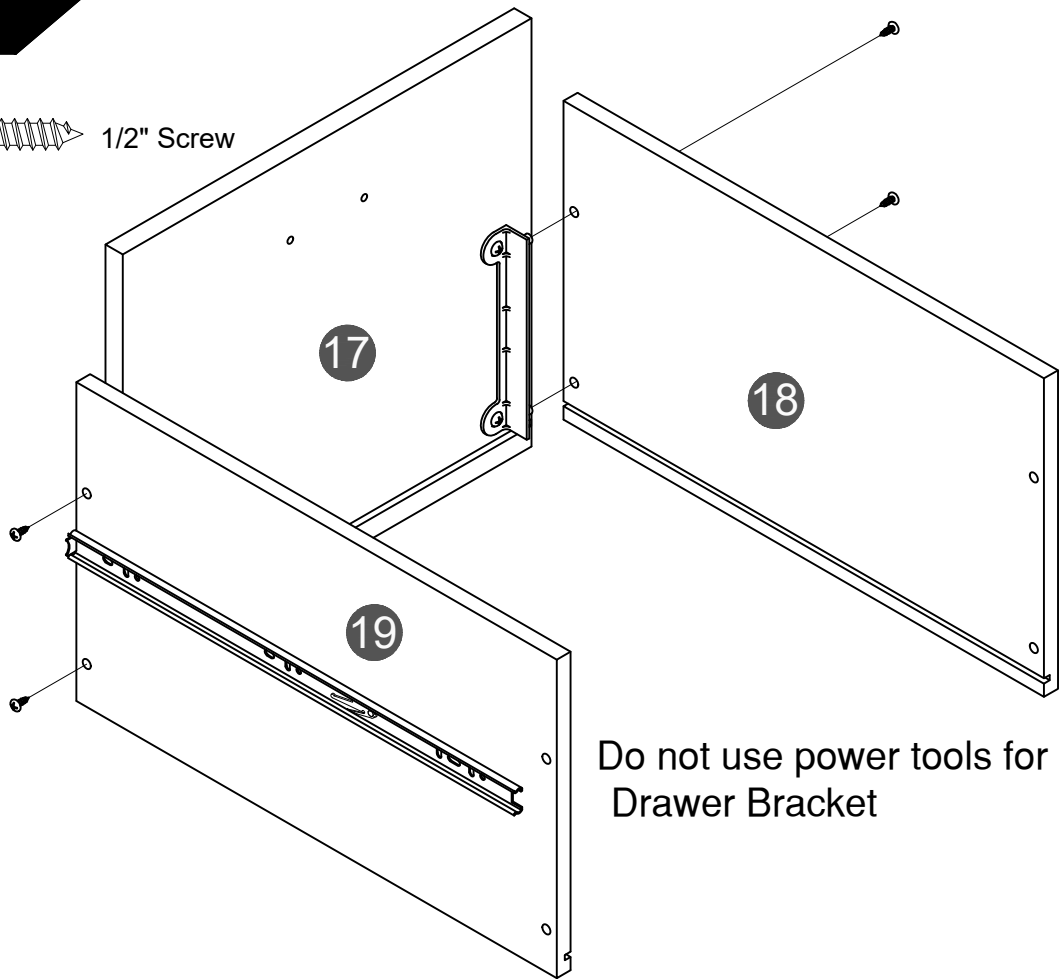


Do not tighten screws (J) for drawer front adjustment on later step

Do not use power tools for Drawer Bracket

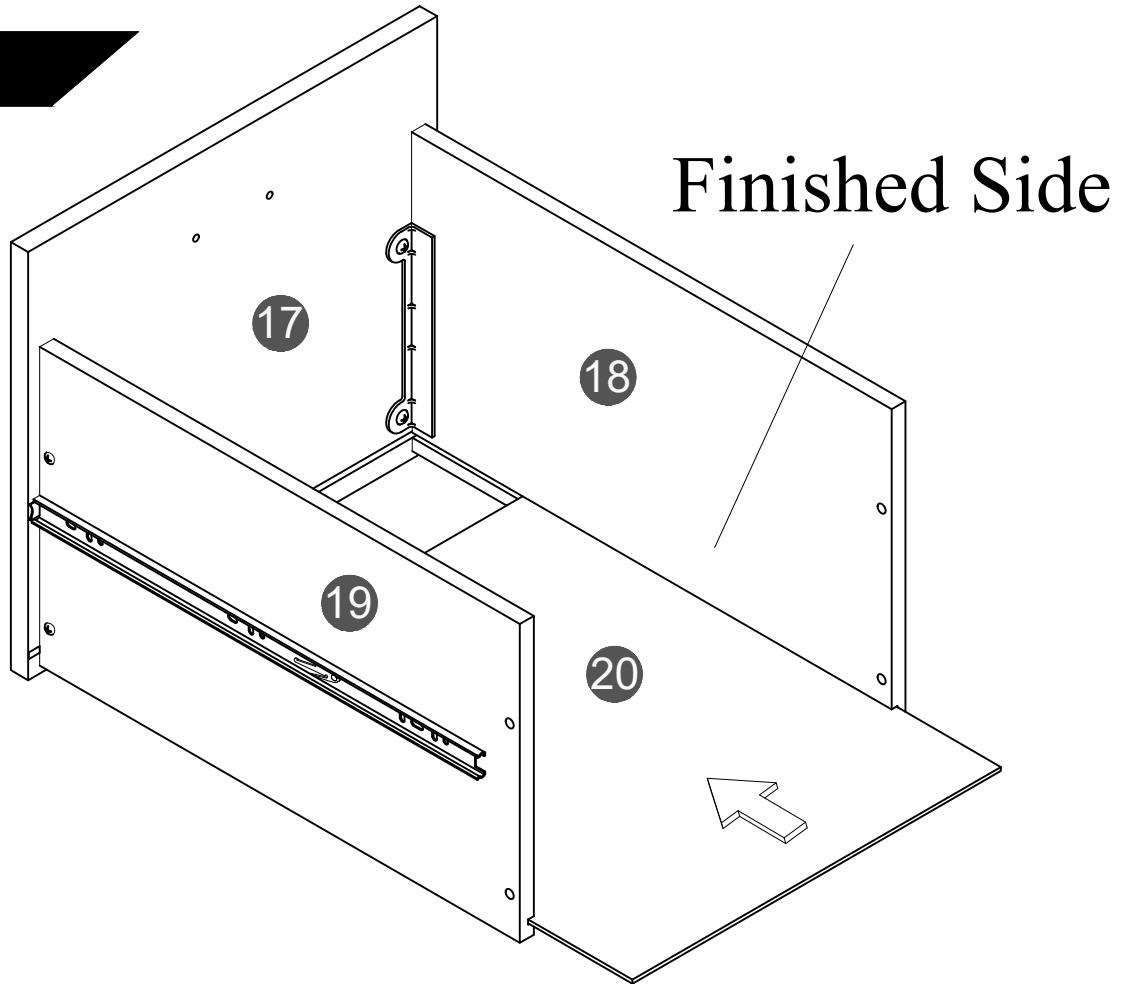
STEP 22

K x4pcs



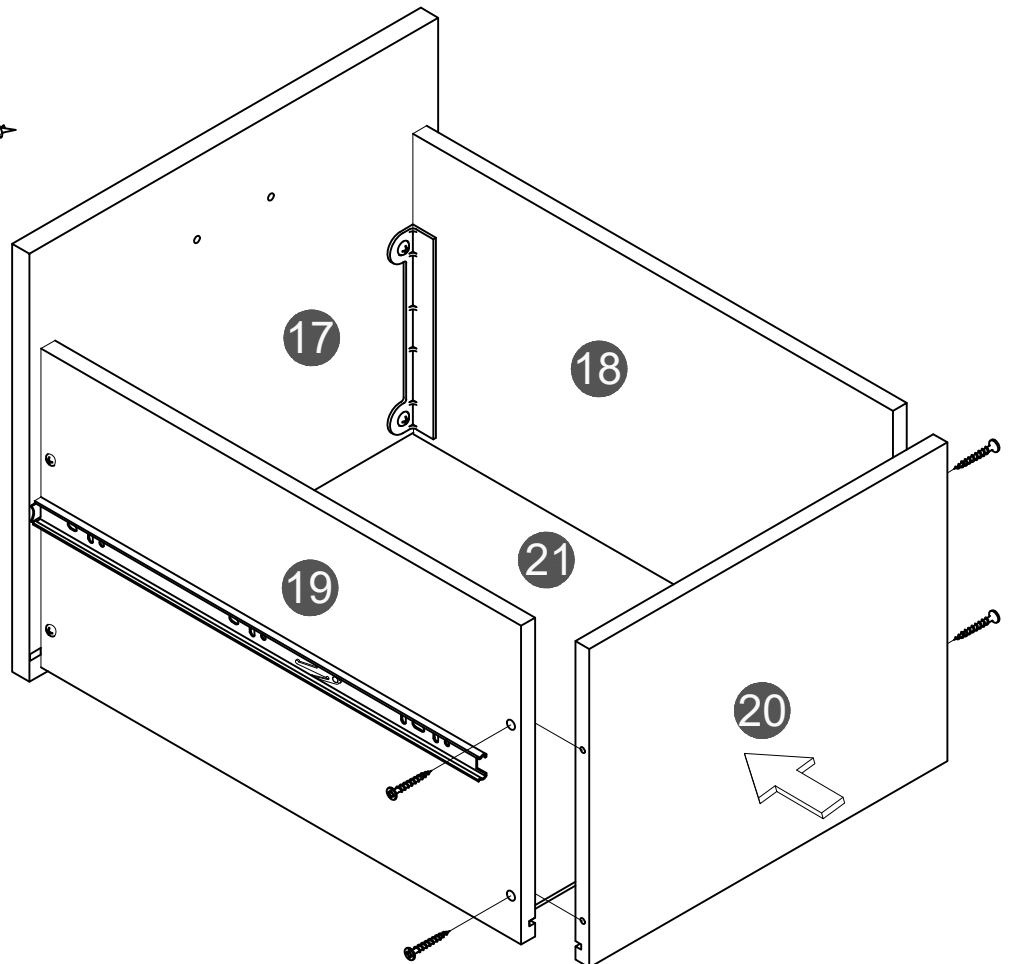
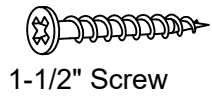
Do not use power tools for Drawer Bracket

STEP 23



STEP 24

F x4pcs

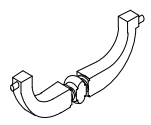


STEP 25

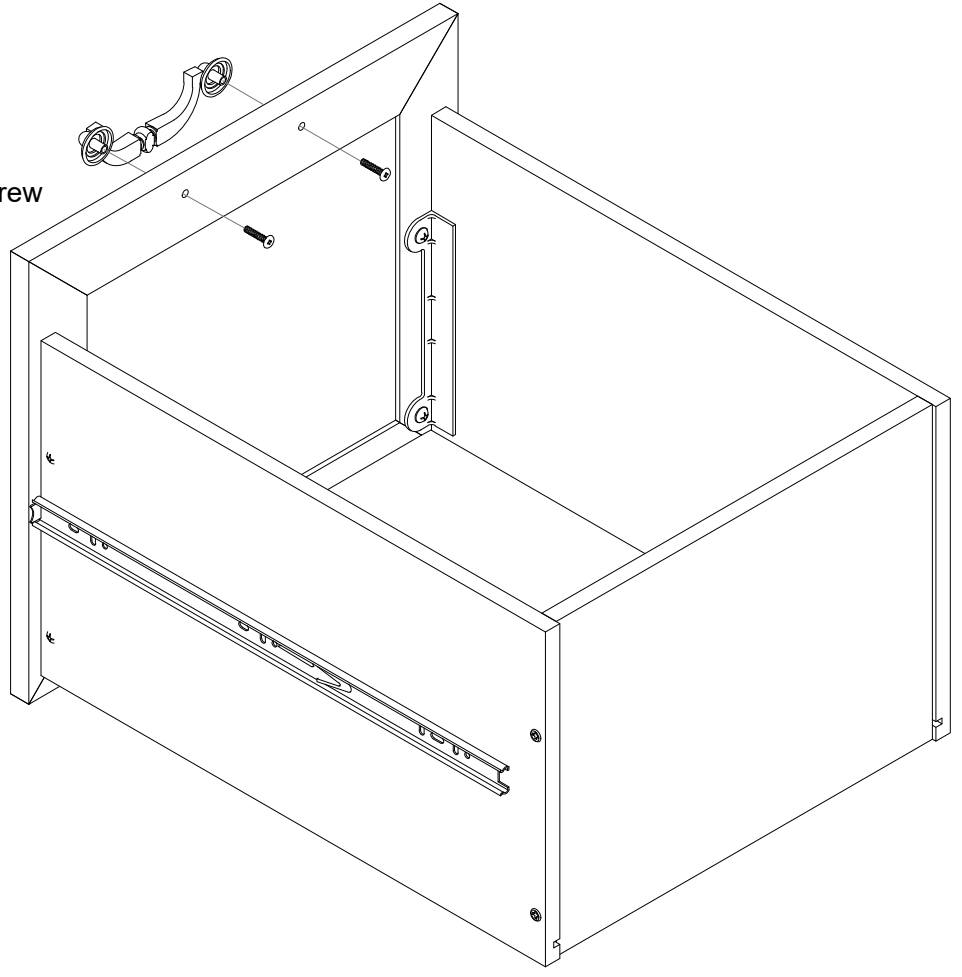
L x2pcs



M x1pcs

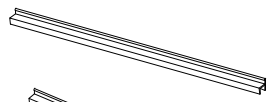


N x2pcs

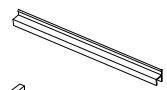


STEP 26

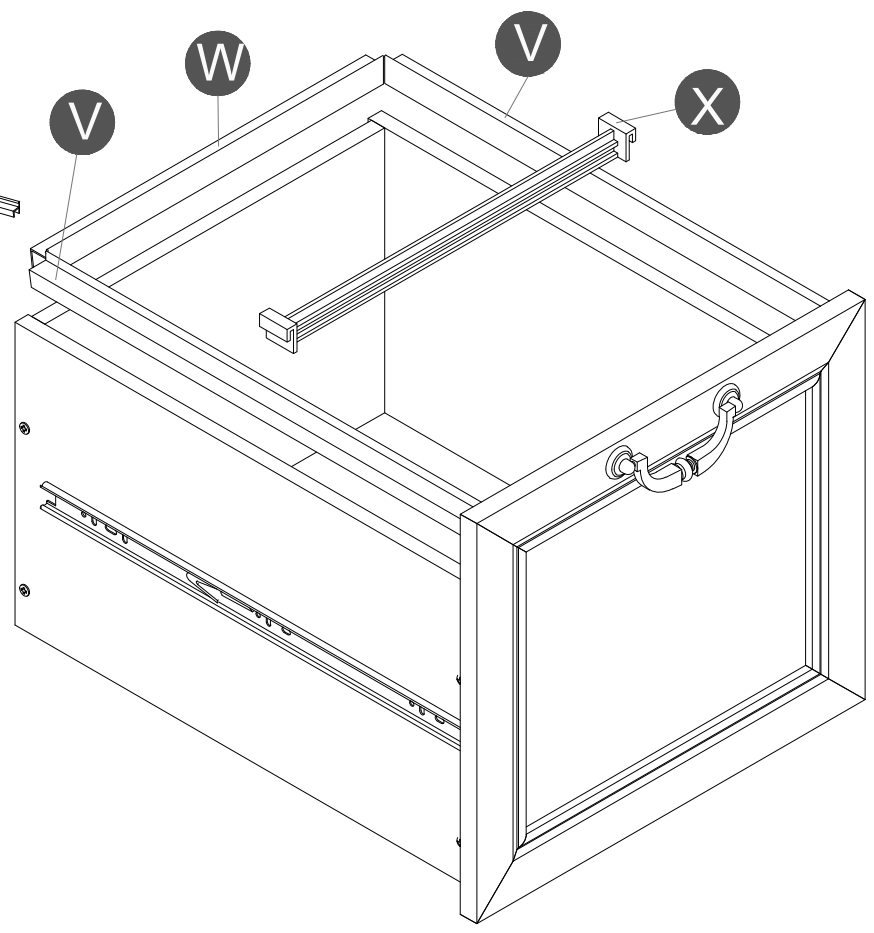
V x2pcs



W x1pcs



X x1pcs

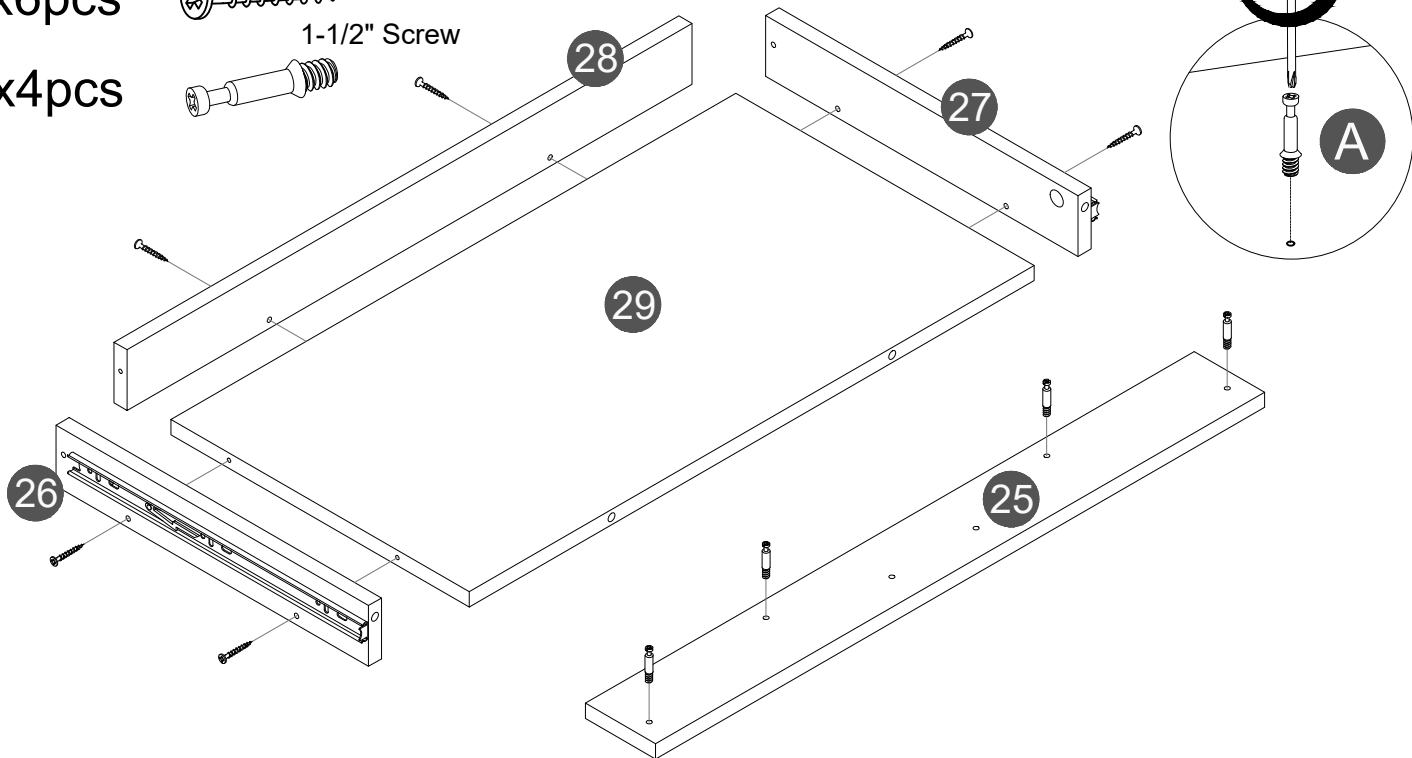
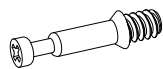


STEP 27

F x6pcs



A x4pcs

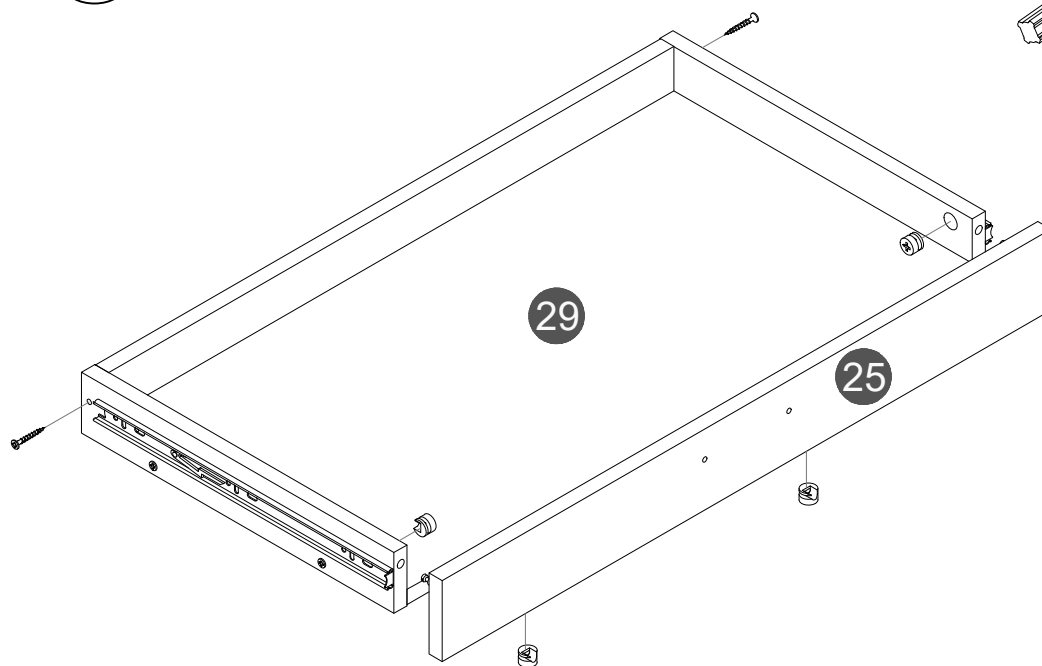
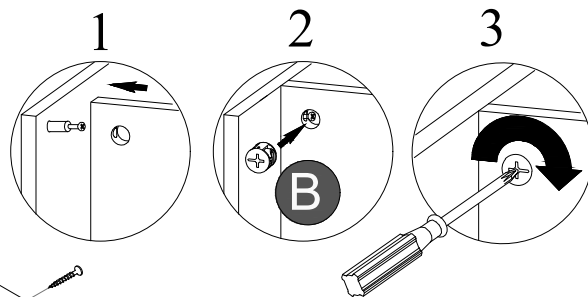


STEP 28

F x2pcs



B x4pcs

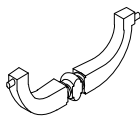


STEP 29

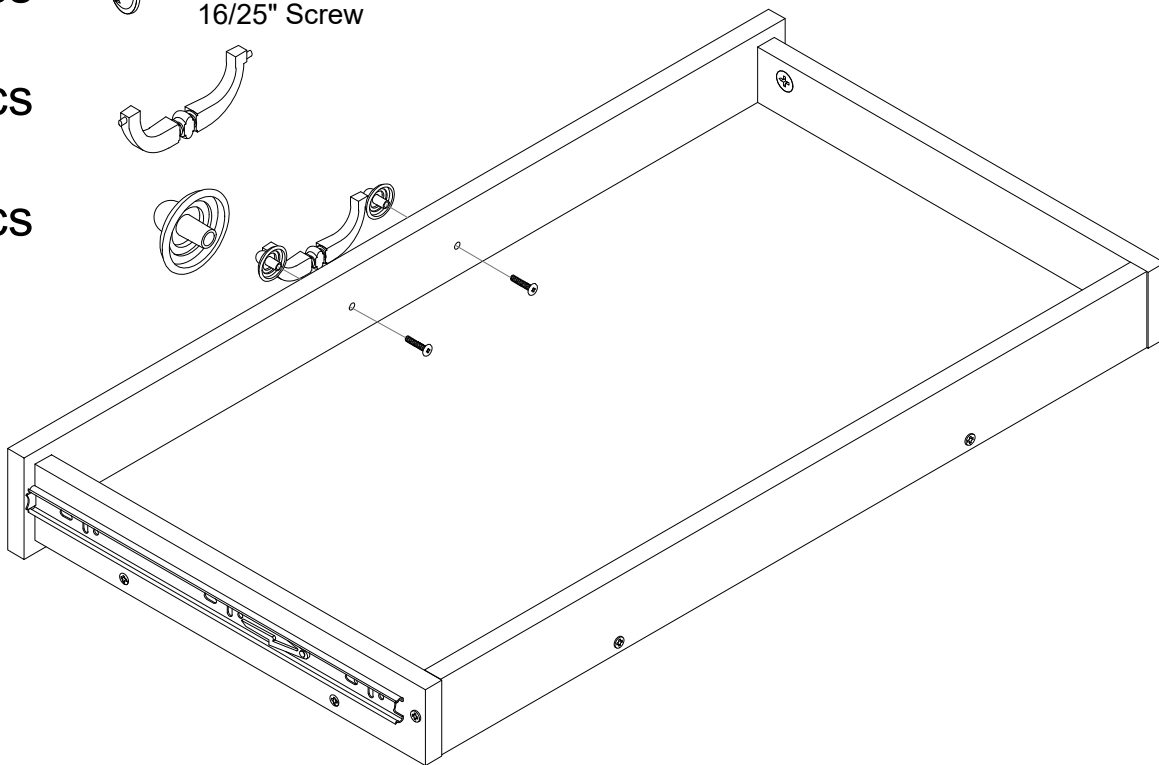
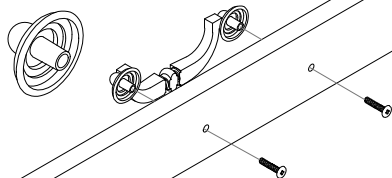
L x2pcs



M x1pcs

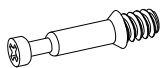


N x2pcs



STEP 30

A x13pcs



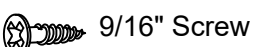
O x1pcs



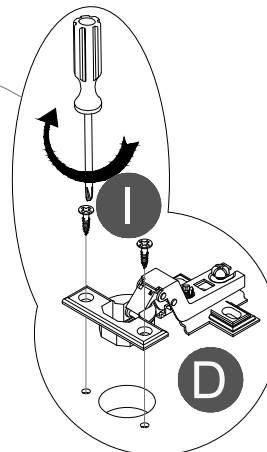
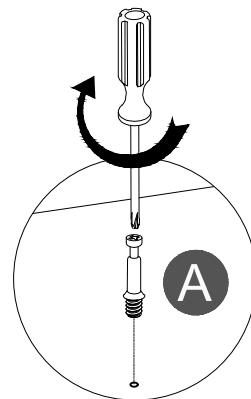
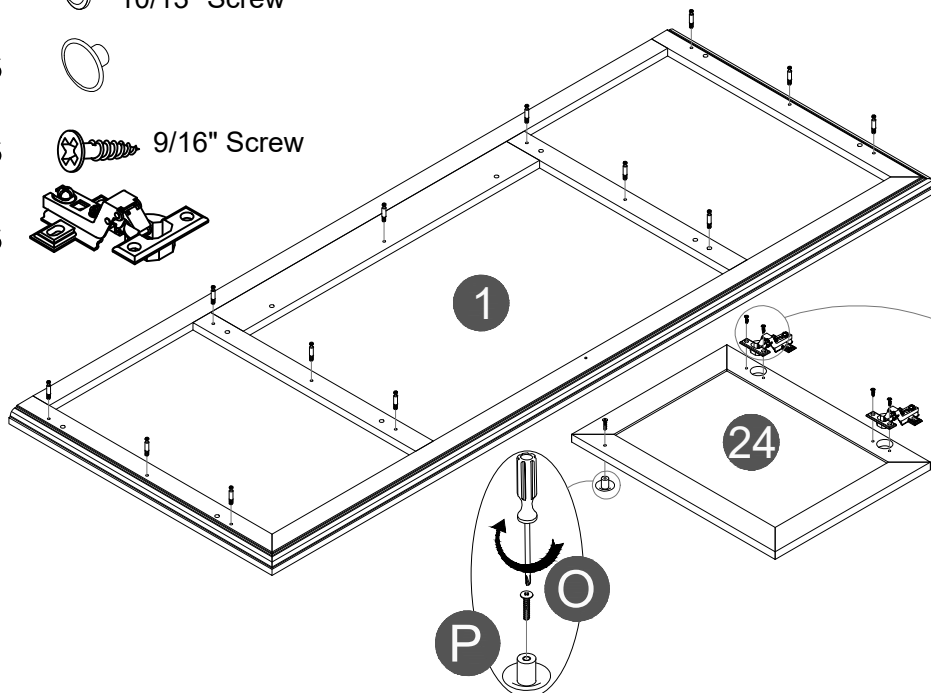
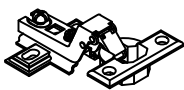
P x1pcs



I x4pcs

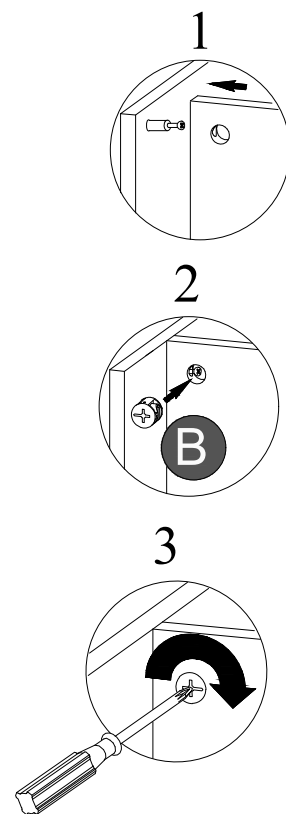
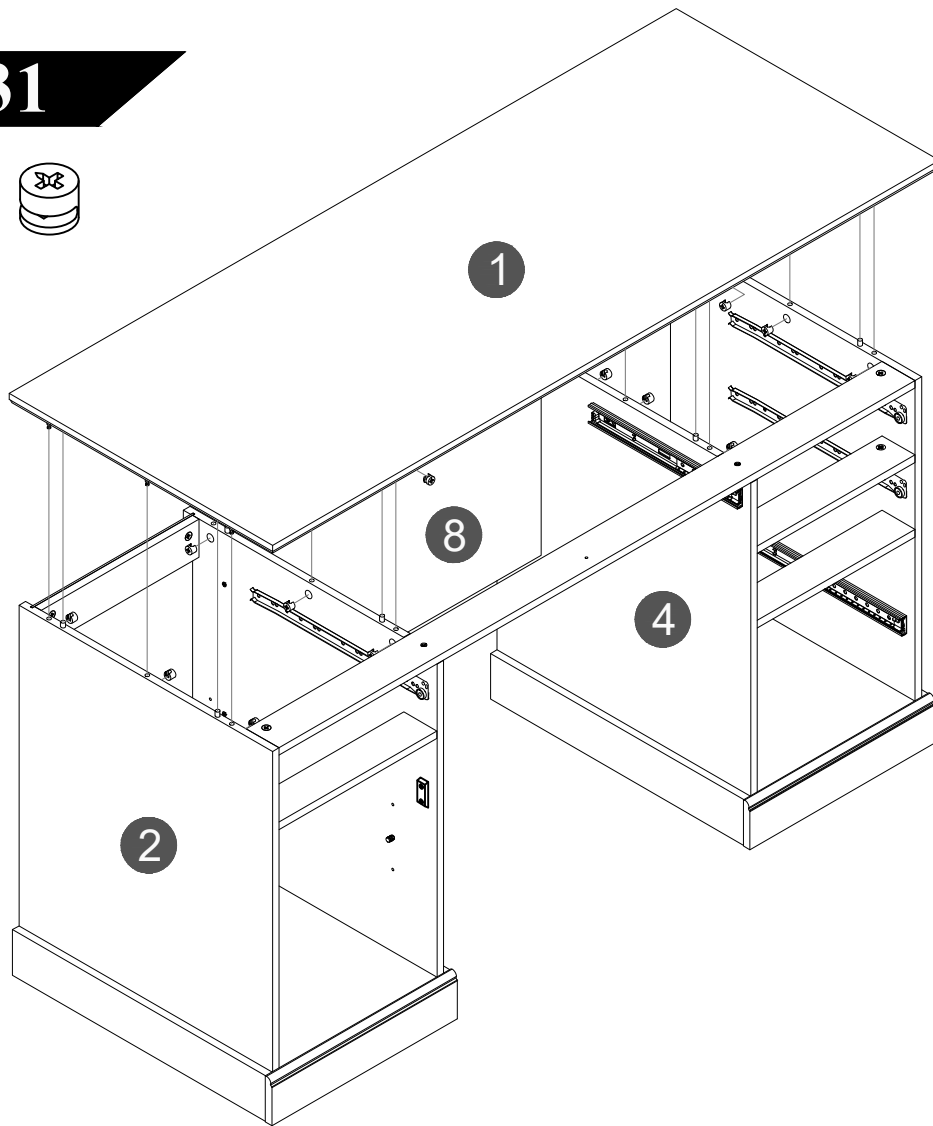


D x2pcs



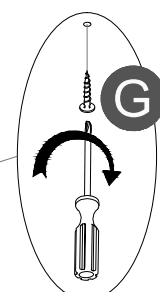
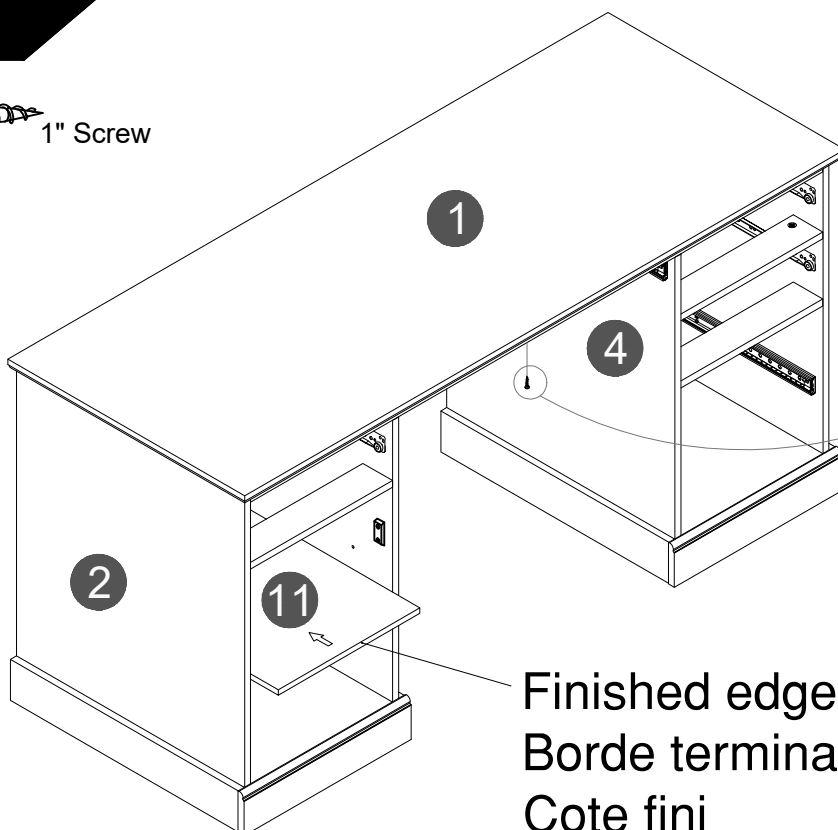
STEP 31

B x13pcs 



STEP 32

G x1pcs  1" Screw

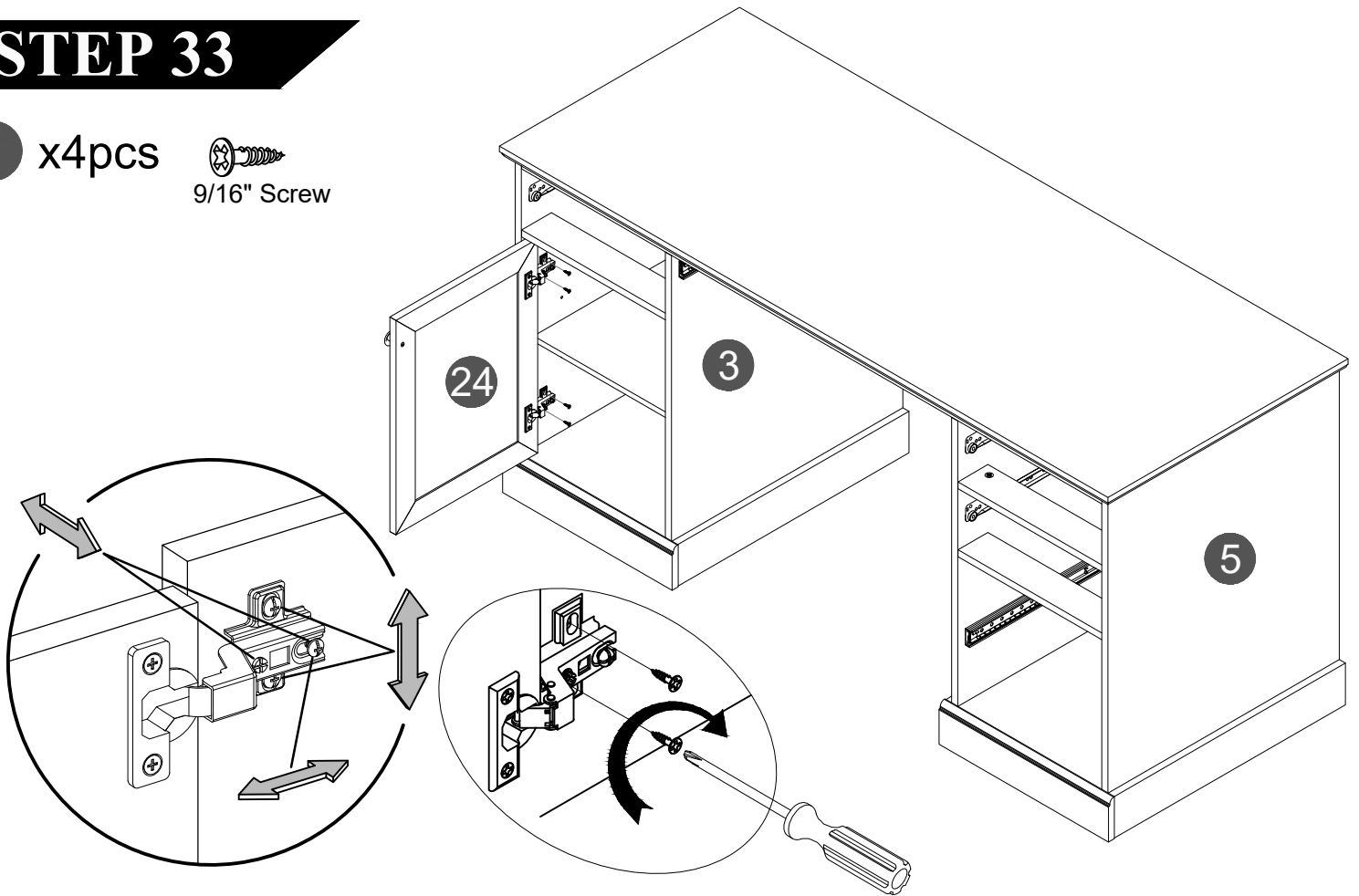


Finished edge
Borde terminado
Cote fini

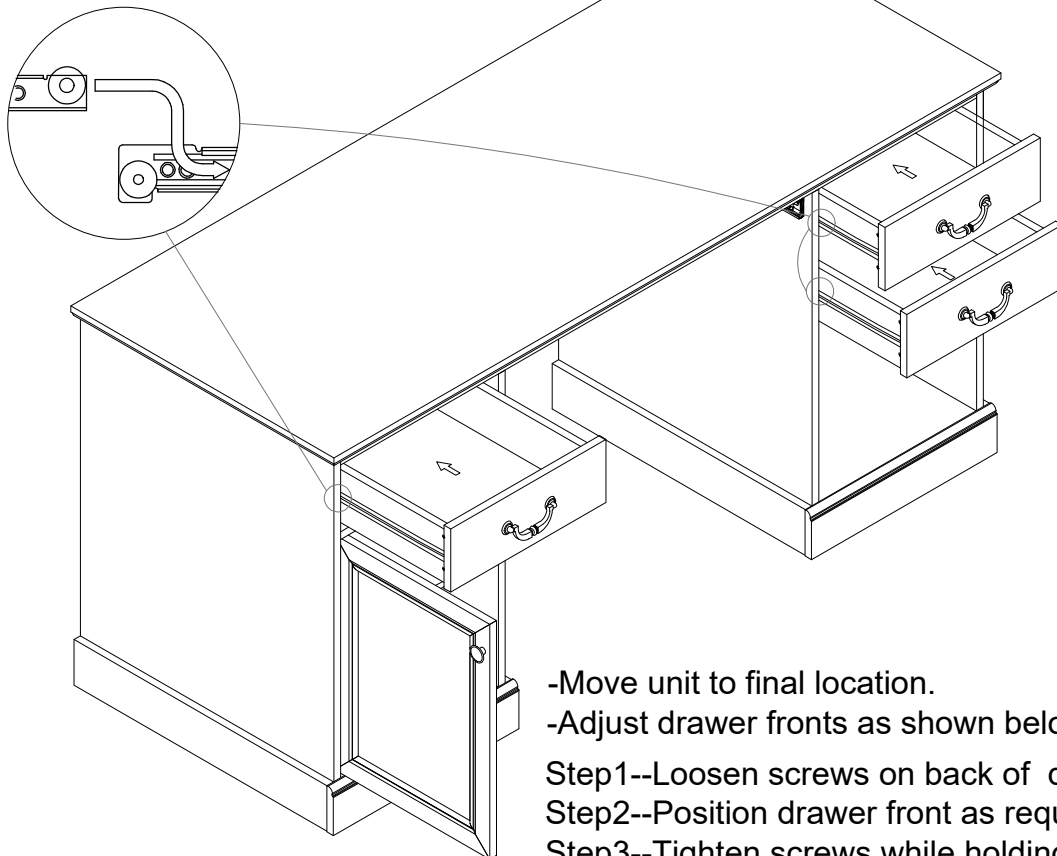
STEP 33

1 x4pcs

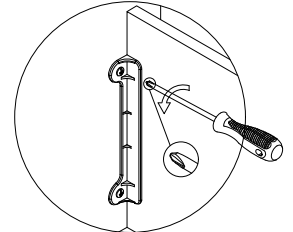

9/16" Screw



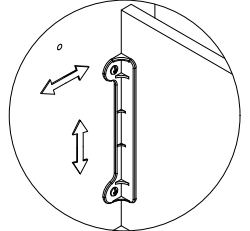
STEP 34



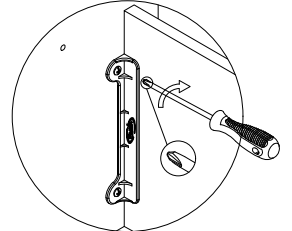
STEP 1.



STEP 2.



STEP 3.



- Move unit to final location.
- Adjust drawer fronts as shown below.

Step1--Loosen screws on back of drawer front brackets as shown.
Step2--Position drawer front as required.
Step3--Tighten screws while holding drawer front in position.

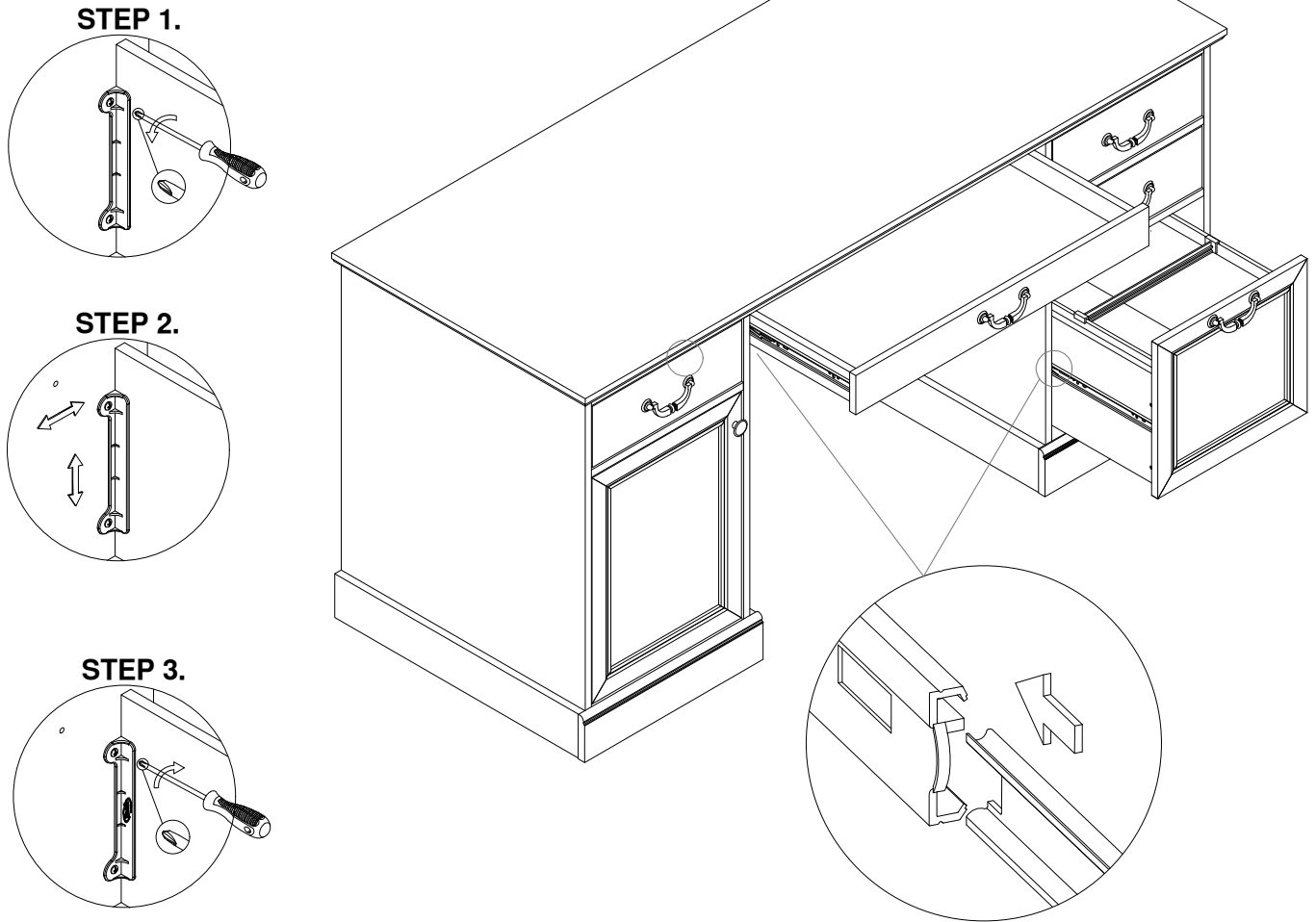
STEP 35

- Move unit to final location.
- Adjust drawer fronts as shown below.

Step1--Loosen screws on back of drawer front brackets as shown.

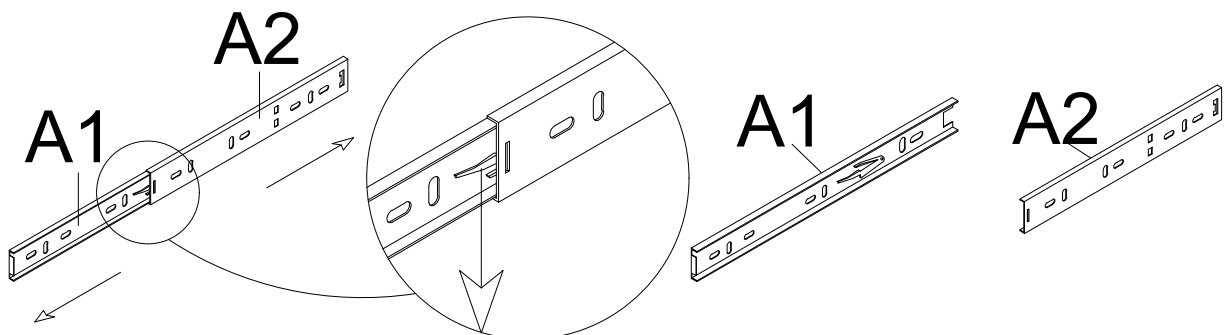
Step2--Position drawer front as required.

Step3--Tighten screws while holding drawer front in position.



Detaching the Slide

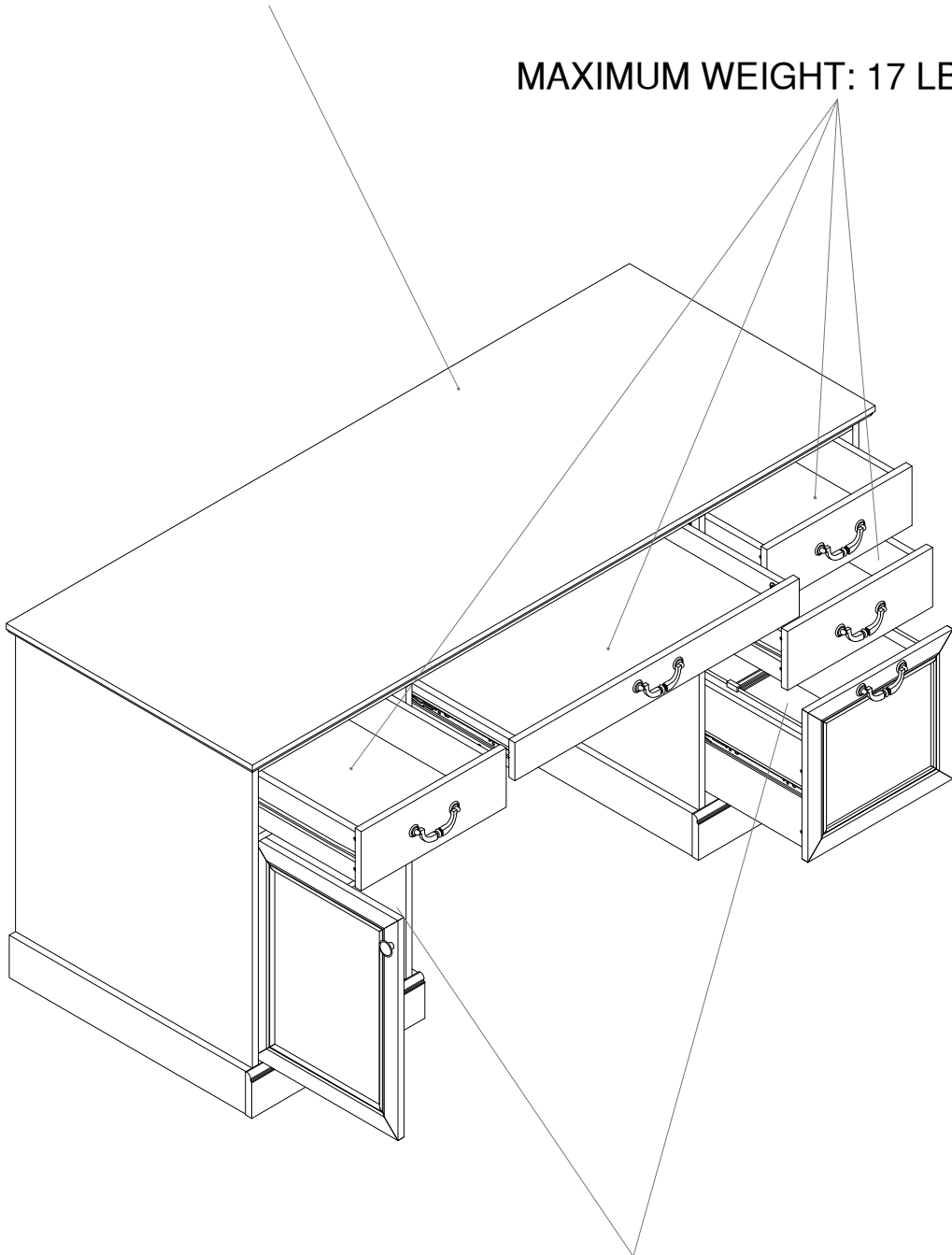
Press lever to disconnect and separate the Extension Side(A2) the Slide . Do this for both drawer Slides(A1)



Maximum weight capacities

MAXIMUM WEIGHT: 200 LBS (91KG)

MAXIMUM WEIGHT: 17 LBS (7.7KG)



MAXIMUM WEIGHT: 33 LBS (15KG)

What is Proposition 65?

Proposition 65 is a California law that requires warning labels on products that may contain one of more than 800-plus chemicals or ingredients that the California Office of Environmental Health Hazard Assessment(OEHHA) has deemed to cause cancer or other reproductive toxicity. chemicals and elements on this list include wood dust , brass , and other everyday substances, which can be found in very common household items, such as : lamps , tableware , jewelry , crystal glasses , electric cords , beauty products , automobiles , and furniture.

Why Did I Find a Proposition 65 Warning on My Home Goods Product?

We include Proposition 65 warnings on all of our products because there is always a chance that one of the 800-plus common chemicals and ingredients listed under this law could potentially be on our furniture or packing materials. We risk large fines under this law , if we don't include this warning.

Should I worry?

We realize you may be worried finding this warning on our products , but we want to reassure you that the hazardous exposure limits for any of these chemicals have never been found on furniture products that we've shipped to our customers. Additionally, this warning label is very common and can be found on almost every piece of furniture sold in the state of California.

Just How Common Are Proposition 65 Warnings?

Proposition 65 warnings have become so common in California that it is hard to take a trip to local bank, grocery store , or restaurant without finding at least one warning. In fact, even the Disney Land Resort has a Proposition 65 warning:

