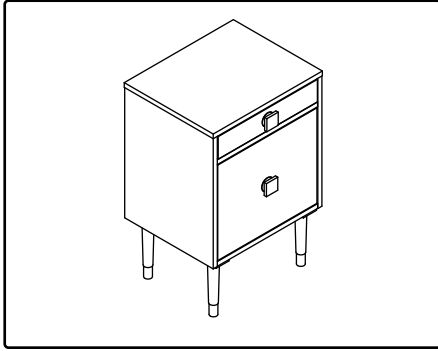


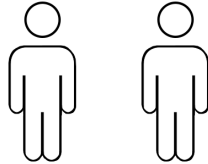
ASSEMBLY INSTRUCTIONS



+ Do Not Use
Power Tools



+ Suggested
Adults



NOTE:

- 1 Read instructions cover to cover.
- 2 Save all packaging until assembly is completed.

1 IMPORTANT SAFETY INFORMATION

Do not assemble the product if any of the following parts arrived damaged:

- Part ① - Table top
- Part ② - Leg
- Part ③ - Shelf

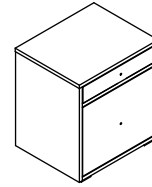
2 IMPORTANT ASSEMBLY INFORMATION

- Assembly Step ① Put all legs in place and use bolt connect on top.
- Assembly Step ② Unscrew screw and take off handle part.
- Assembly Step ③ Take part "E" and "F" in place and fasten them tight on door.
- Assembly Step ④ Take shelf #3 and put inside of table.
- Assembly Step ⑤ Put the expander screw on your wall and fasten tip-over tag if any necessary.

*Warning: Do not over tighten screws, or it could damage the Table Top.

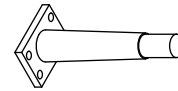
+ Parts Included

①



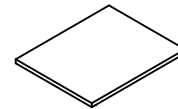
x1

②



x4

③



x1

+ Hardware Included

A



Allen Key
M4 1PCS

B



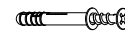
Bolt
M6x20 16PCS

C



Washer
M6x16 16PCS

D



Expander
M6x55 2PCS

E



Metal plate
M60x2 1PCS

F



Acrylic
50x50x15 1PCS

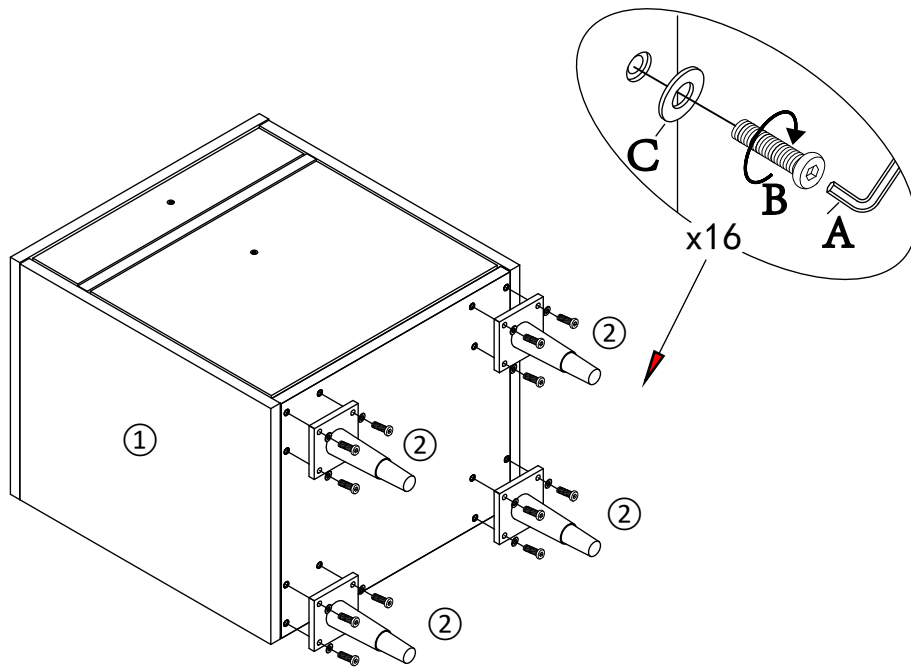
G



Bolt
M4x40 1PCS

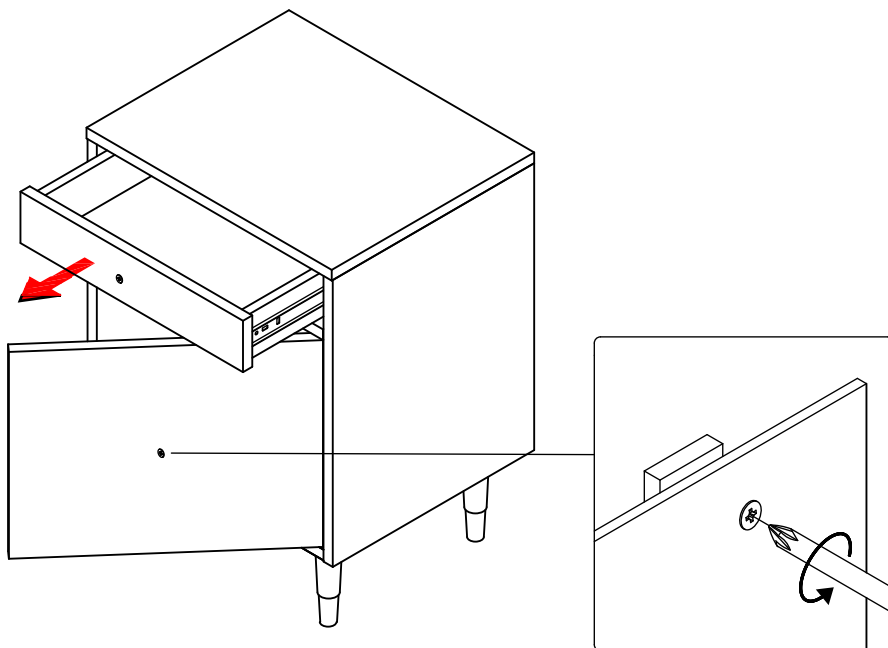
ASSEMBLY INSTRUCTIONS

1



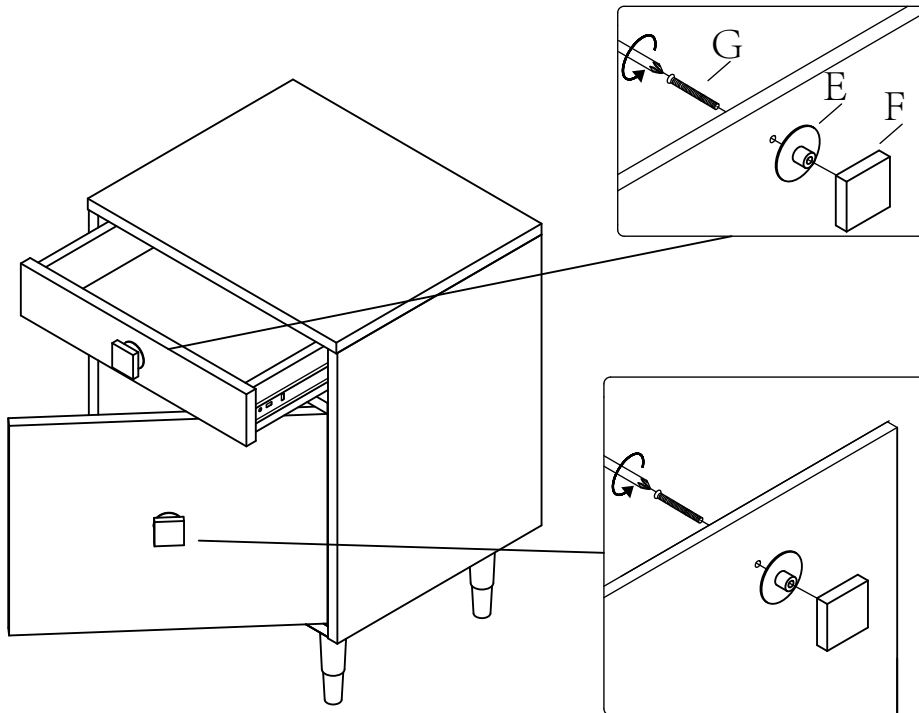
Note: During assembly, hand tighten screws only.
When the screws are in place, tighten completely.

2

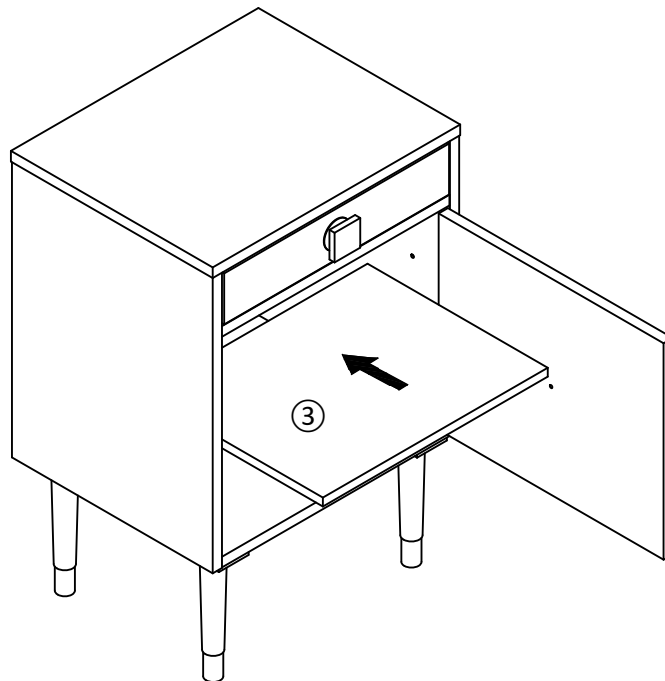


ASSEMBLY INSTRUCTIONS

3

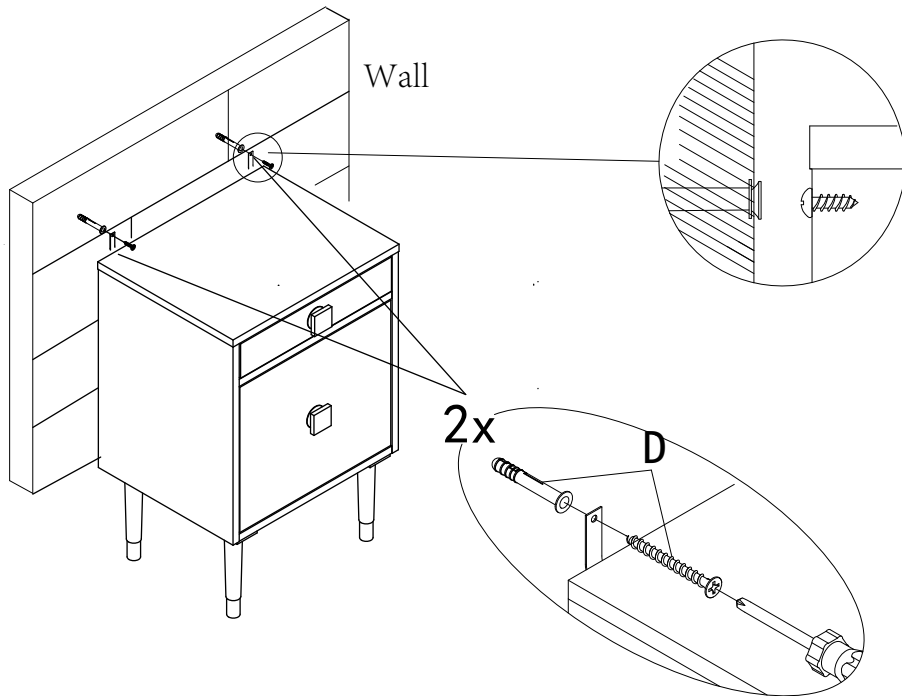


4



ASSEMBLY INSTRUCTIONS

5



Put the expander screw on your wall if any necessary.