



Buy For Looks, Buy For Quality

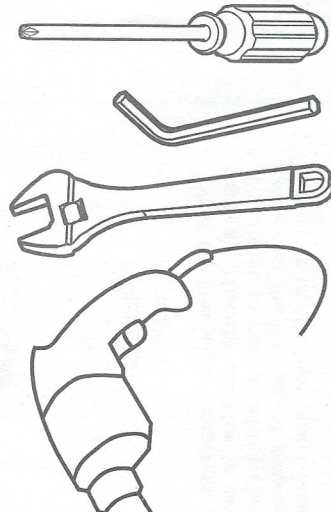
Installation Guide

R PRESSURE BALANCE BATH & SHOWER FAUCET

Installation Attention

1. Open the product packing; check for all the accessories according to the accessories list. If you lack any accessories, please contact your local supplier.
2. The cartridge is the main body it has been tested and adjusted in the factory, do not remove it or take it apart.
3. Before installing your new mixer, flush through the supply pipes to ensure the removal of debris to avoid and prevent clogs.
4. After installing, check the supply pipes to avoid any leakage.
5. Inlet water pressure: 0.05Mpa < inlet water pressure < 0.75Mpa (including cold water pressure).

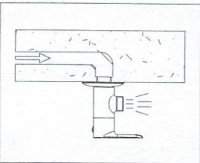
TOOLS YOU'LL NEED



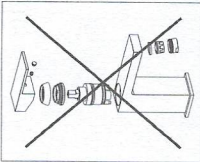
+/- 90 min.

ESTIMATED ASSEMBLY TIME

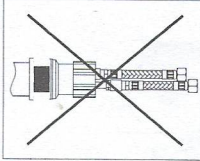
***THIS INSTALLATION PLAN MAY APPLY TO SEVERAL MODELS.**



Clean the supply pipes and make sure it's no clog & debris in water line. Otherwise it will Damage the faucet.



Do not take the faucet apart.



No leakage in the connection.

Faucet Warranty VOID

1. You must flushing your water line before you use this sprayer.
2. Unclean clog & debris in water line would cause clog to waterway and diverter spray.
3. It is required to flush your water line before turn on the sprayer of this faucet.

Maintenance

1. Replacement parts may be available at the store where you purchased your faucet.
2. Always turn off water and relieve pressure working before on your faucet.

Cleaning Instructions

1. To keep the faucet clean you should clean the faucet frequently.
2. Clean the faucet with clear water or mild, then dry the faucet with soft cotton cloths.
3. Do not use any abrasive cleansers cloths, or paper towel.
4. Do not use any acid or abrasive detergent.

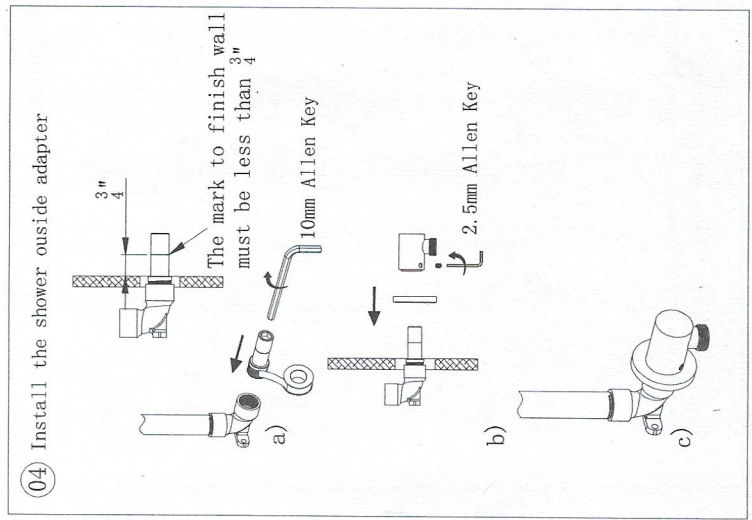
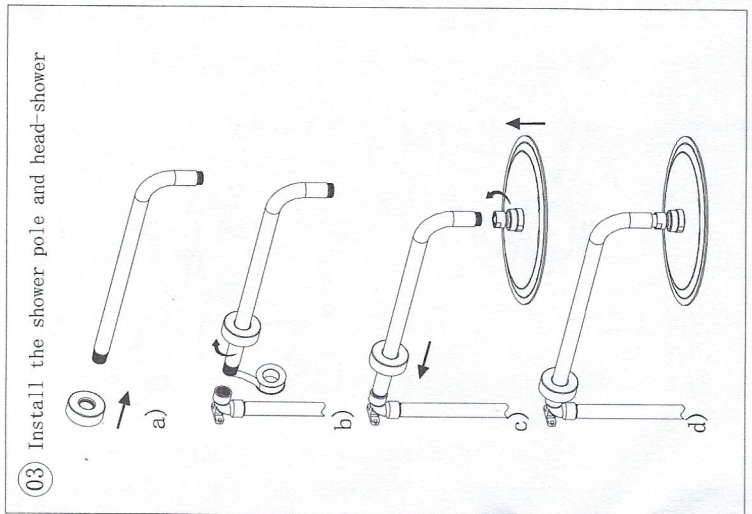
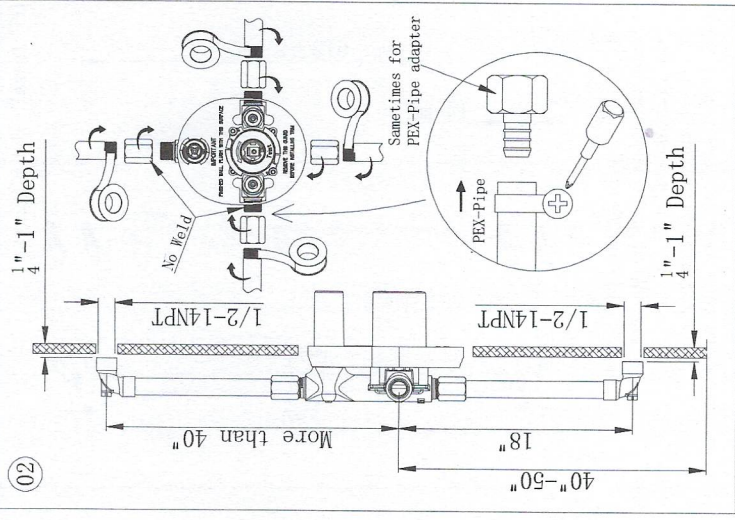
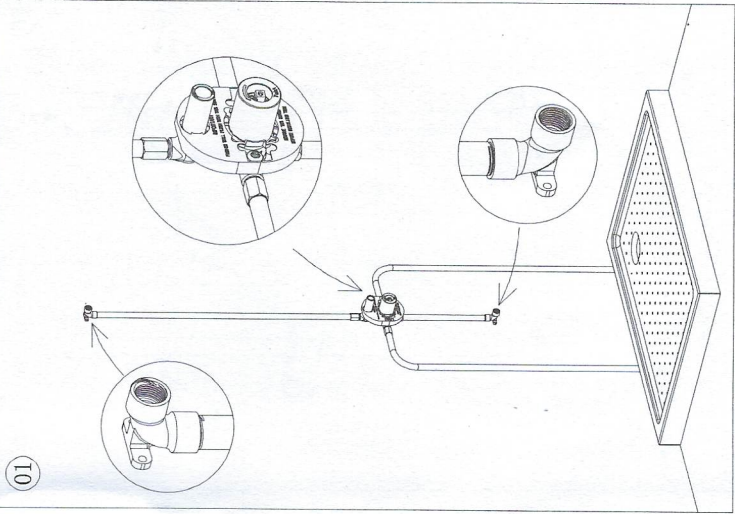
Note:

We have been enhancing our products quality by constantly improving the design and performance of our products.

We reserve the right to change specifications, product descriptions, product quality, pricing and application at any time without prior written or oral notice.



Buy For Looks, Buy For Quality
www.kodaen.com



Install the slide bar



14 mm

With the appropriate bit drilled
in mounting holes on the wall,
Clearance is 612 ± 2 .
Inset the bolts into the hole.
Push the fixed base onto the slide bar.



06

09 Install the handle



Push the plate onto
the body

Install the handle



10



Install the hand shower



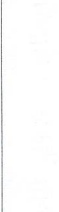
14 mm

08 Remove the protect cap



11

The diverter on this position, open the
valve handle, the headshower water out.



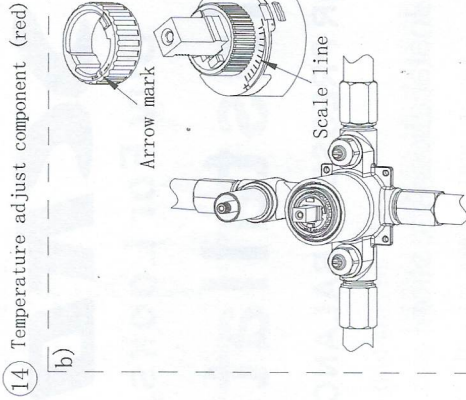
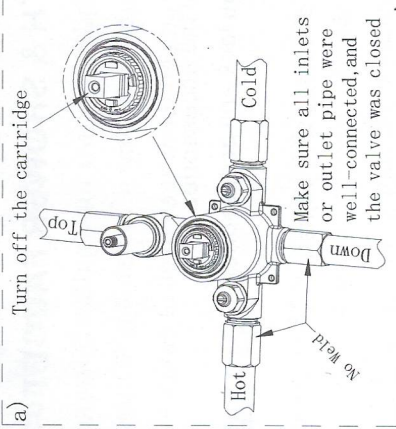
12

The diverter on this position, open the
valve handle, the handshower water out.



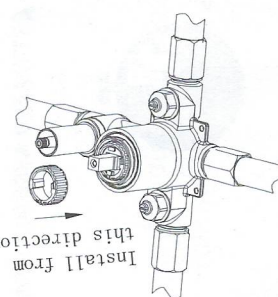
13 Pressure Balance Temperature Adjust
 This is a Pressure Balance Cartridge, and it can limit the highest temperature.
 At factory, we set the temperature at the highest, and we can reset the highest water temperature to be $\leq 48.9^{\circ}\text{C}$.
 Due to water temperature & pressure deviations, the actual temperature must be checked by using a thermometer, please be carefully to avoid scalding.

a) How to reset water temperature $\leq 48.9^{\circ}\text{C}$.



b) You can pry up the temperature adjust component directly by using a tool (such as "—" screwdriver). please notice there is no need to remove the valve body.
 You can see there are eleven scale lines on the cartridge, and there is a Arrow mark on the temperature adjust component

c) Temperature adjust
 When the 1st scale line near the "+" sign be align with the arrow mark on the temperature adjust component, the water temperature would be the highest.
 And on the next and next scale, the fixed highest temperature will reduce accordingly.
 In turn, when the arrow mark near to "-" sign align with the arrow mark, the lowest temperature is set. the arrow mark align to the 8-11 scale form the "+" sign, the temperature will $\leq 48.9^{\circ}\text{C}$
 By using the temperature adjust component, you can limit the highest temperature of the pressure balance valve.



14 Temperature adjust component (red)
15 Temperature adjust
16 Flow adjust component (blue)
 When the Flow adjust component on the top Scale line, the out flow is maximal. if you want to reduce the out flow, you can pry up the Flow adjust component, and install it on the lower scale line.
 Flow adjust component
 Scale line