



Experiencing problems with your new KidKraft product?

Before getting frustrated and returning your product to the store or Internet retailer, please give us a chance to solve all your problems. Call our office in **Dallas, TX** at **1-800-933-0771**. Our sales support team is available from **8:30 a.m. to 5 p.m.** Central Time Zone every **Monday through Friday**, and we want nothing more than for our customers to be satisfied. If you have a question and it isn't our normal business hours, just leave a message and we will call you back as soon as possible. Don't want to talk to someone? Information on replacement parts can be found at www.kidkraft.com.

- Are our assembly instructions confusing? Are you stuck on a step?

Please, let us help!

- Are you missing a part? Do you need us to send a replacement part?

Please, let us help!

- Did a part arrive broken? Do you need us to send a replacement?

Please, let us help!

- Does the item you received differ in any way from what was ordered?

Please, let us help!

At KidKraft, customer satisfaction is our top priority. Thank you for your business.

David Barr
Executive Vice President

KidKraft
4630 Olin Road
Dallas Texas 75244
www.kidkraft.com
Toll Free: 1.800.933.0771
Tel: 972.385.0100
Fax: 972.385.0277

Before calling customer service, please
have your item's batch code ready.
This is your batch code:

If your batch code is not listed here,
you can find it on the back or bottom
of your product.
(example batch code:101287/65006A/04)

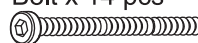
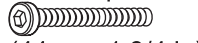
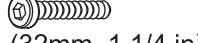

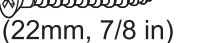
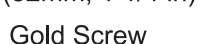
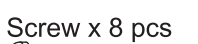

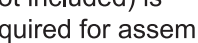
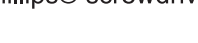
Savannah Dollhouse

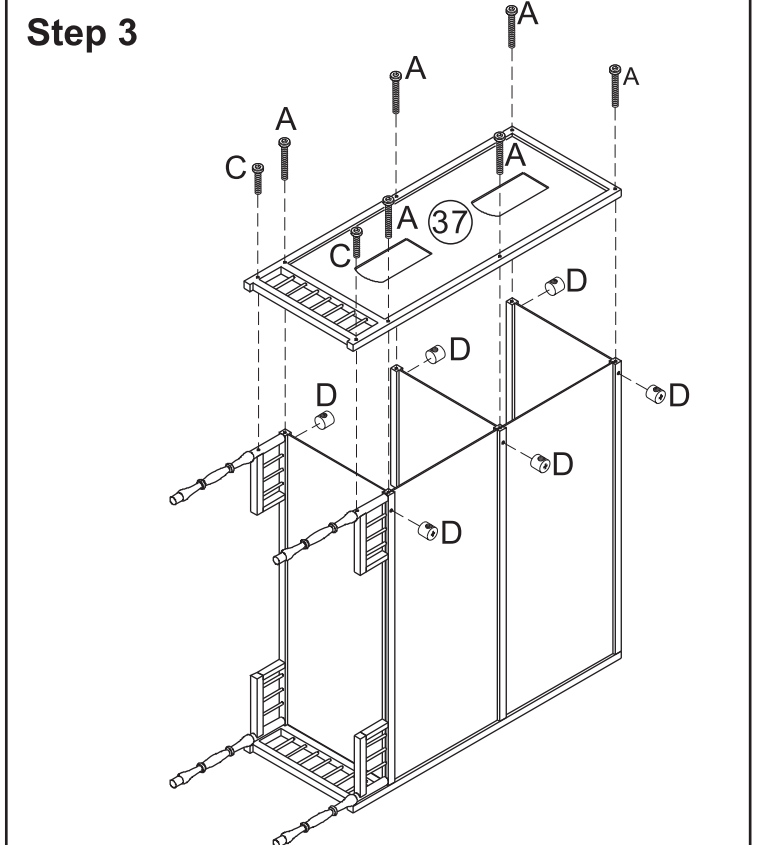
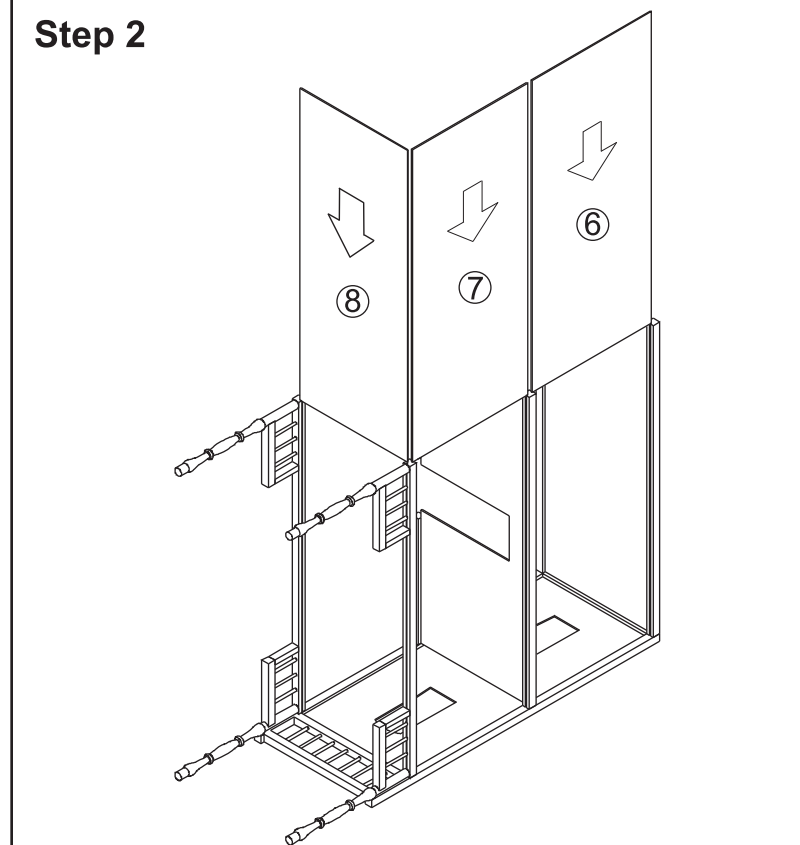
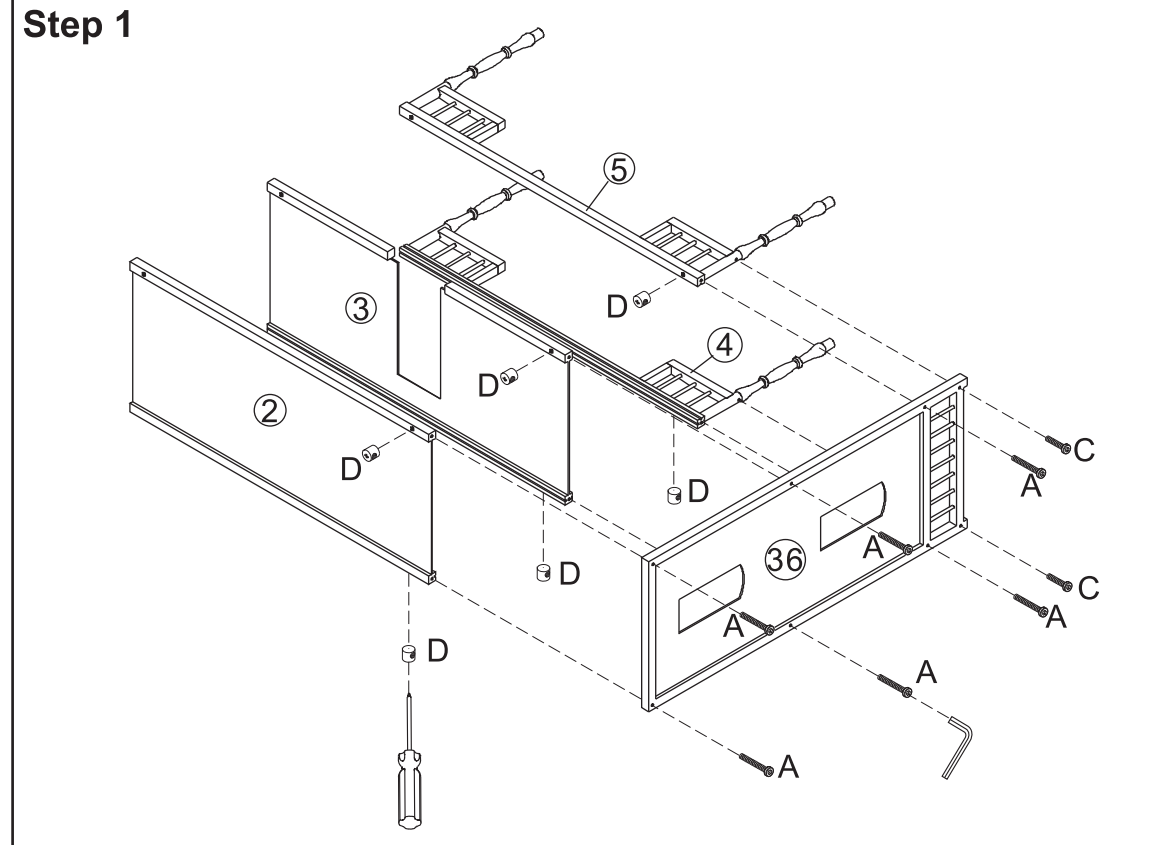
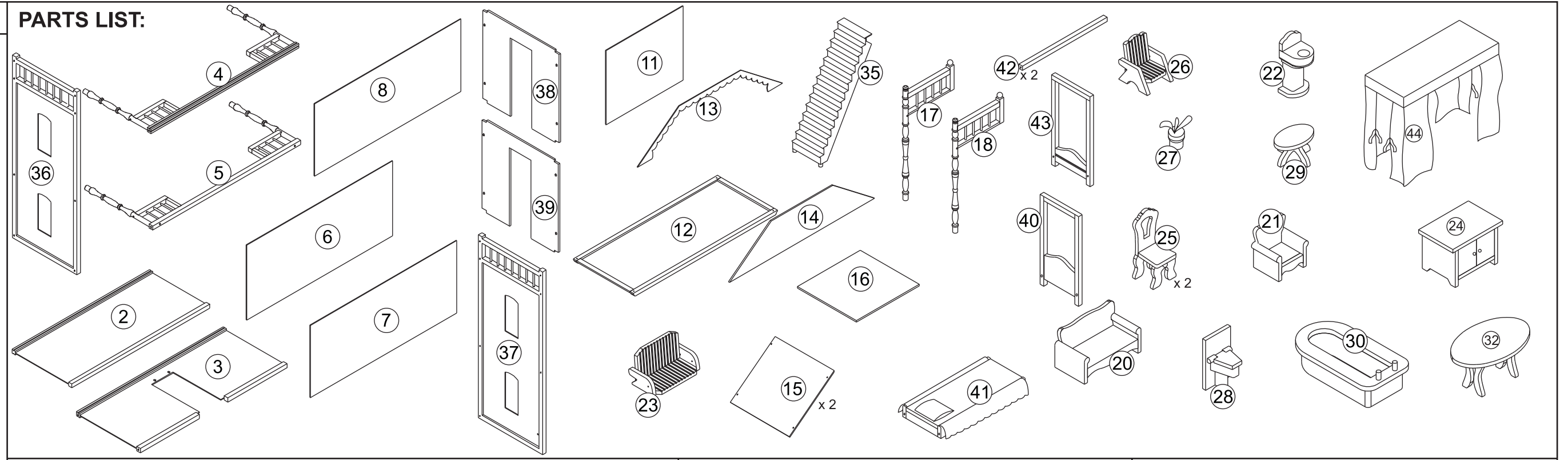
Assembly Instructions

Item #65023

Please retain this information for future reference

To order replacement parts, please visit www.kidkraft.com

- HARDWARE:**
- A. White Cross Dowel Bolt x 14 pcs

 (62mm, 2 1/2 in)
 - B. White Cross Dowel Bolt x 4 pcs

 (44mm, 1 3/4 in)
 - C. White Cross Dowel Bolt x 4 pcs

 (32mm, 1 1/4 in)
 - D. Cross Dowel Nut x 18 pcs

 - E. Light Blue Screw x 12 pcs

 (22mm, 7/8 in)
 - F. Gold Screw x 10 pcs

 (32mm, 1 1/4 in)
 - G. Gold Screw x 2 pcs

 (22mm, 7/8 in)
 - H. Screw x 8 pcs

 (22mm, 7/8 in)
- Allen Wrench x 1 pc

- The following tool (not included) is required for assembly:

 Phillips® screwdriver



CAUTION:
ADULT ASSEMBLY REQUIRED. Hardware contains small screws with sharp points. Keep unassembled parts out of the reach of small children.

USE AND MAINTENANCE:
 -Use on level surfaces only
 -Please check assembly at regular intervals, and frequently tighten hardware if necessary. If maintenance is not carried out, the product could cease to function properly.

WARNING:
CHOKING HAZARD. Small parts and sharp points, not suitable for children under 3 years.

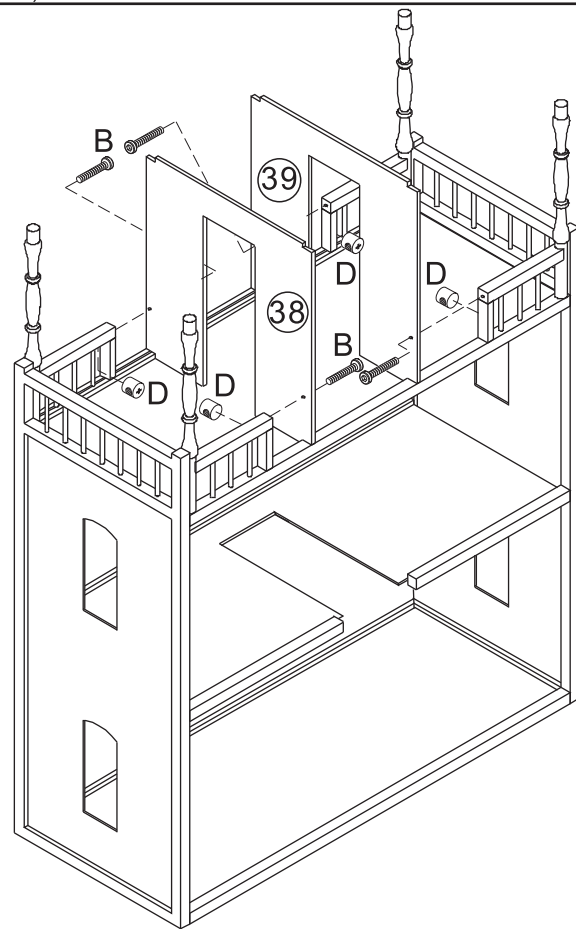
WARNING:
If used improperly, your dollhouse may be pulled over or fall, creating risk of injury or damage. To minimize this risk, we recommend that you use the enclosed wall anchor kit, which gives you the option of attaching the dollhouse to a wall. In addition, children should not be permitted to climb or pull on the dollhouse.

Savannah Dollhouse

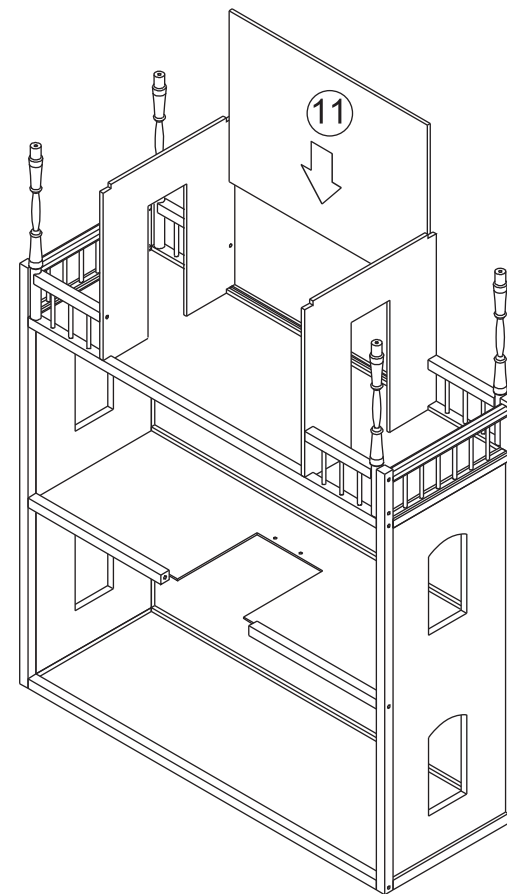
Assembly Instructions

Item #65023

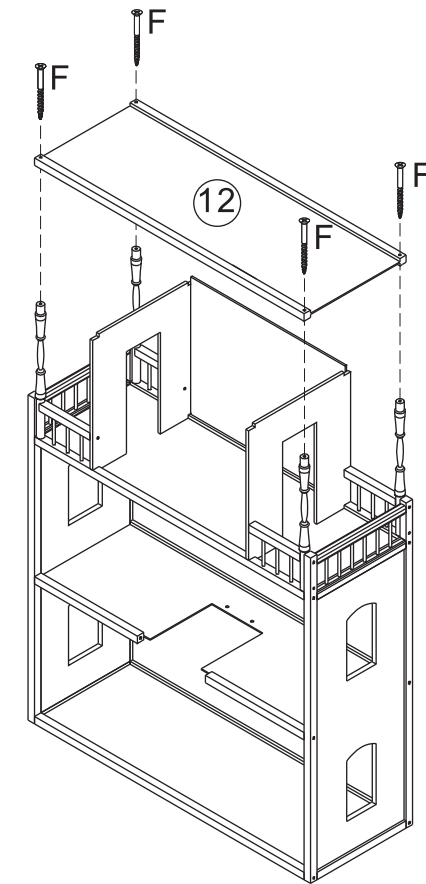
Step 4



Step 5

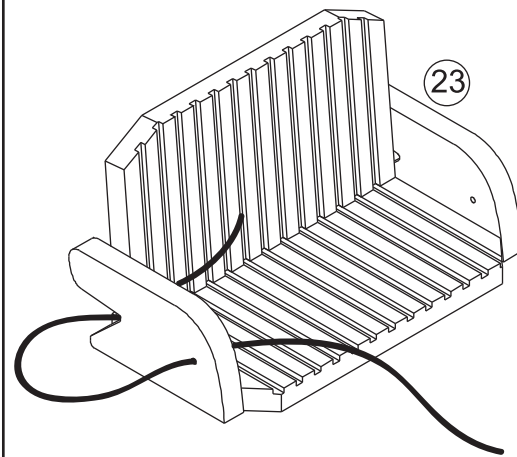


Step 6

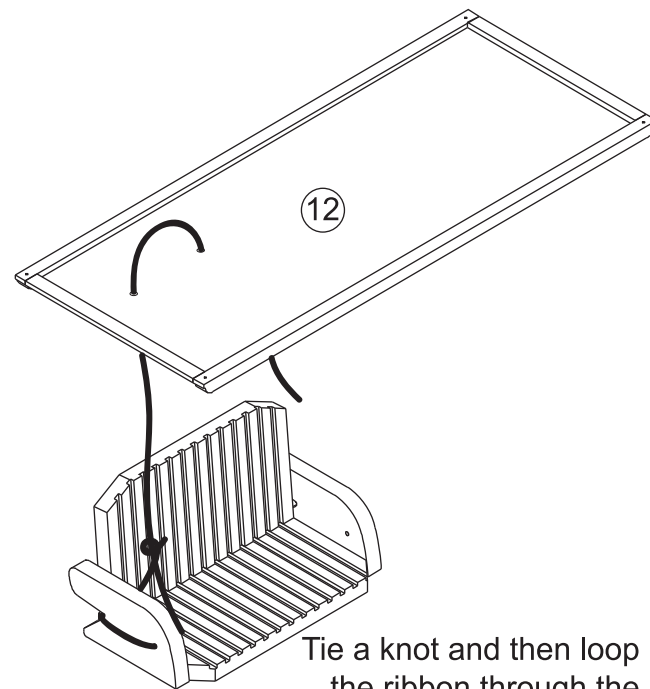


After Step 6:

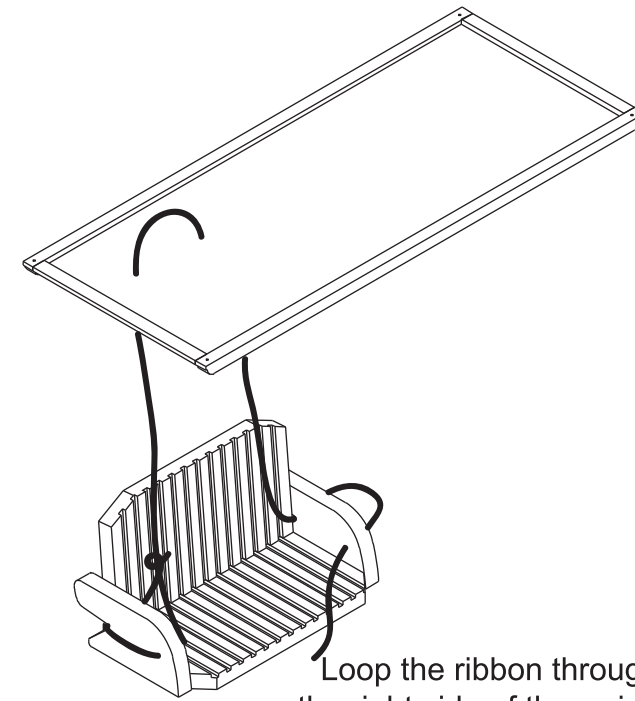
Attach swing (Part 23) to top floor (Part 12)



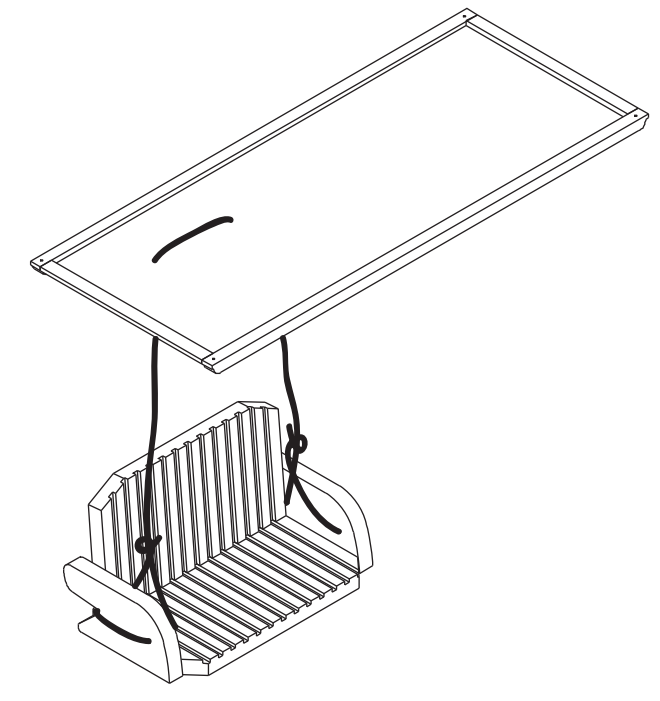
Loop the ribbon through the left side of the swing.



Tie a knot and then loop the ribbon through the two holes in the floor.



Loop the ribbon through the right side of the swing.



Tie another knot.

Before calling customer service, please locate the batch code number (example: 2693/65006/04) found on the bottom or back of your product.

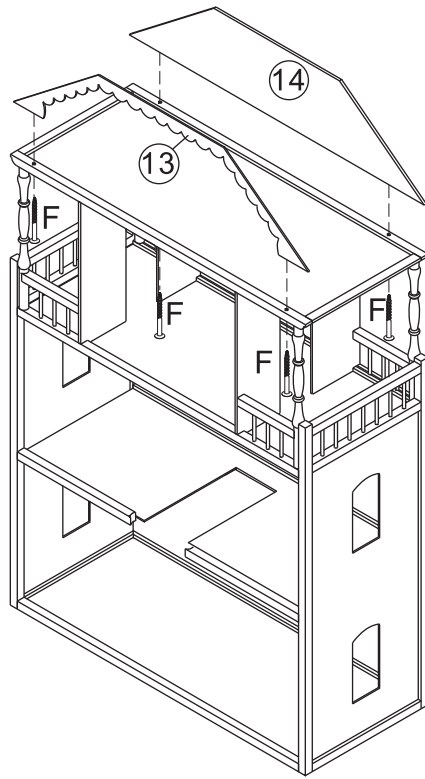
Customer Service
1-800-933-0771
www.kidkraft.com

Savannah Dollhouse

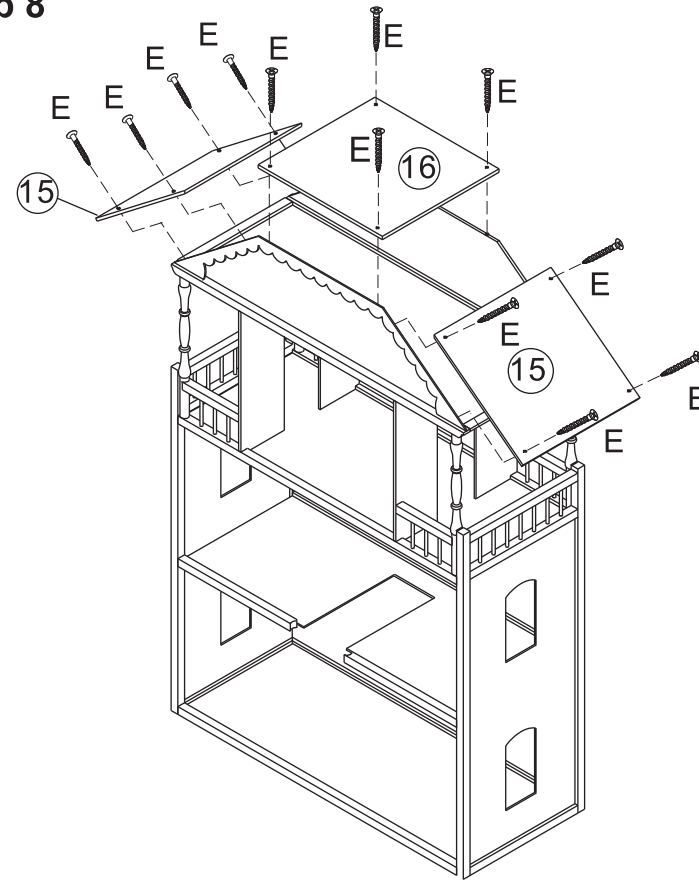
Assembly Instructions

Item #65023

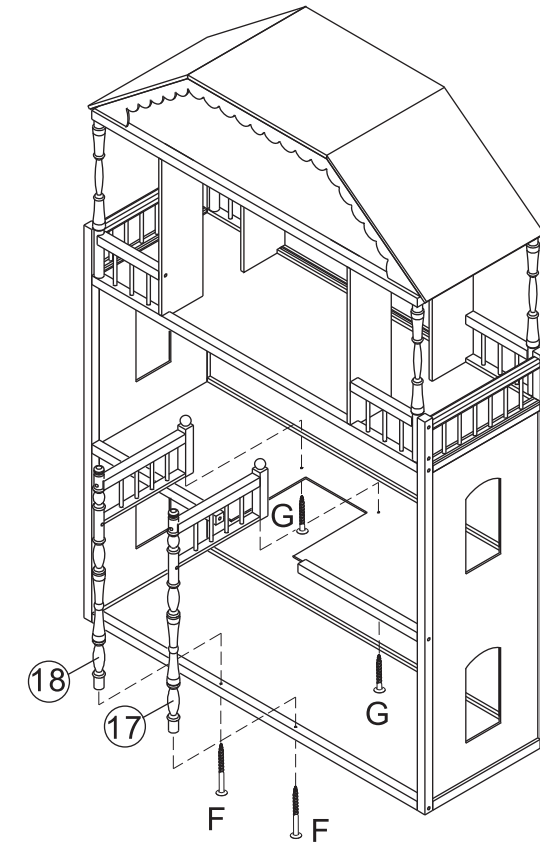
Step 7



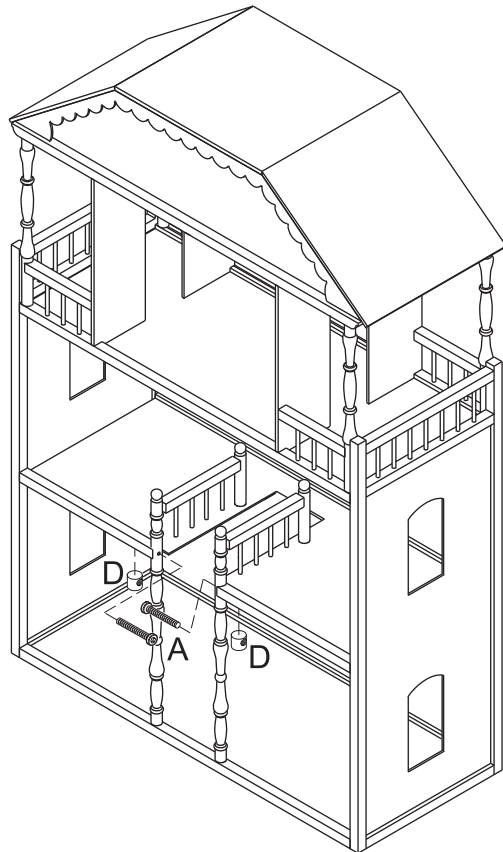
Step 8



Step 9

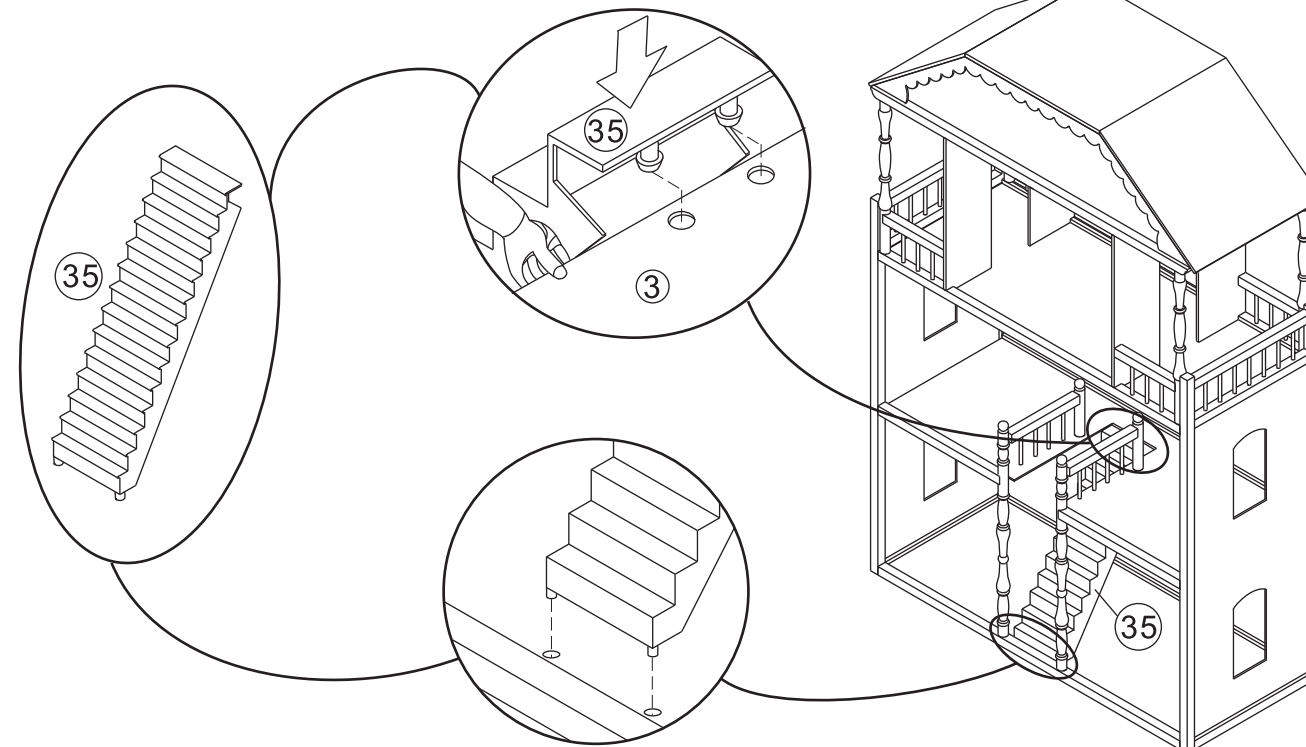


Step 10



Step 11

Push floor (Part 3) and stair (Part 35) together until they snap into place.

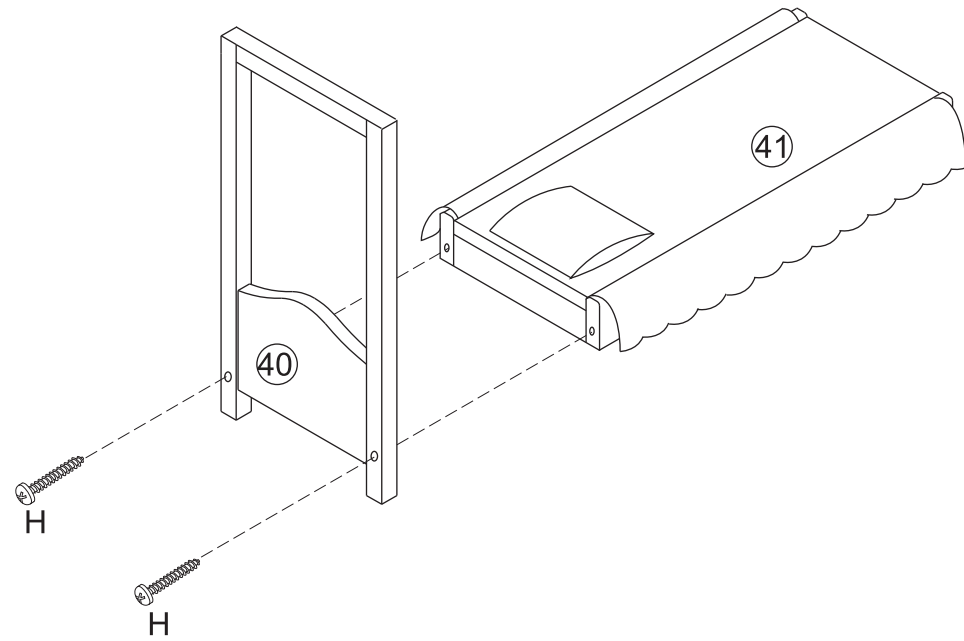


Savannah Dollhouse

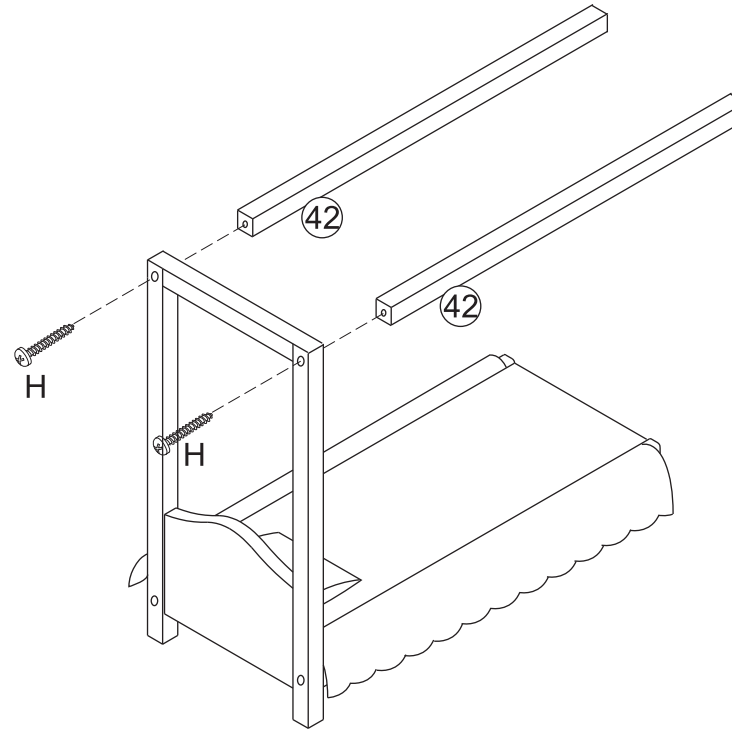
Assembly Instructions

Item #65023

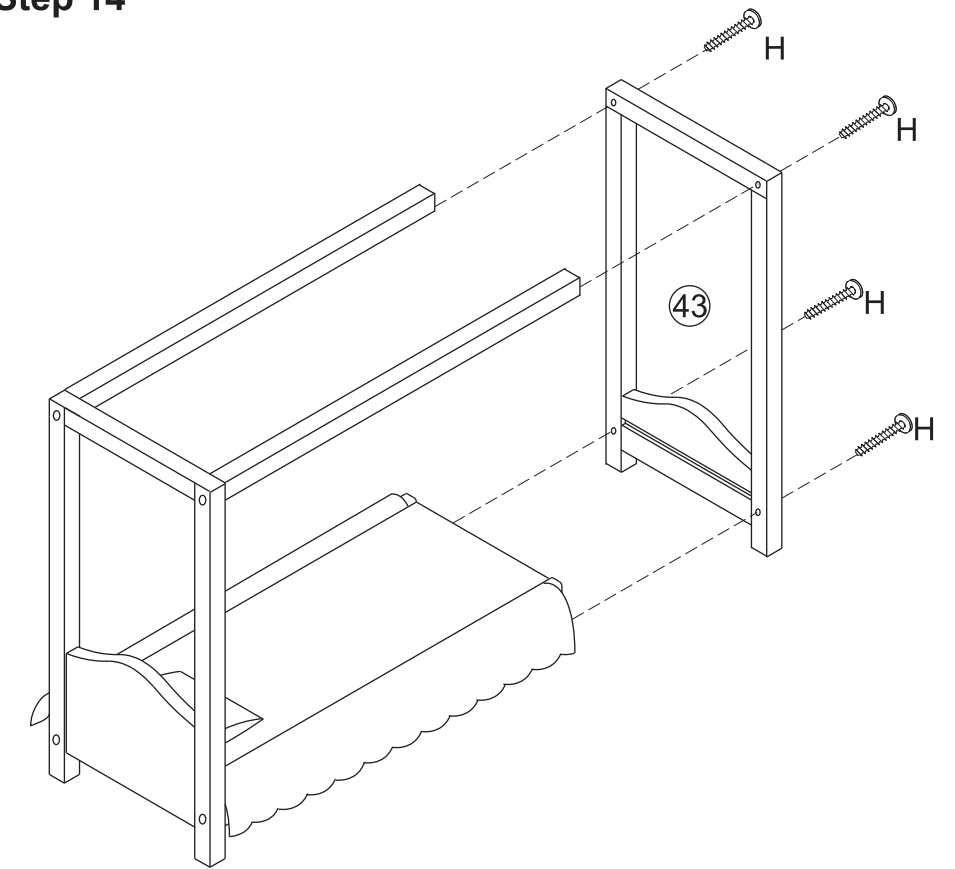
Bed Assembly Step 12



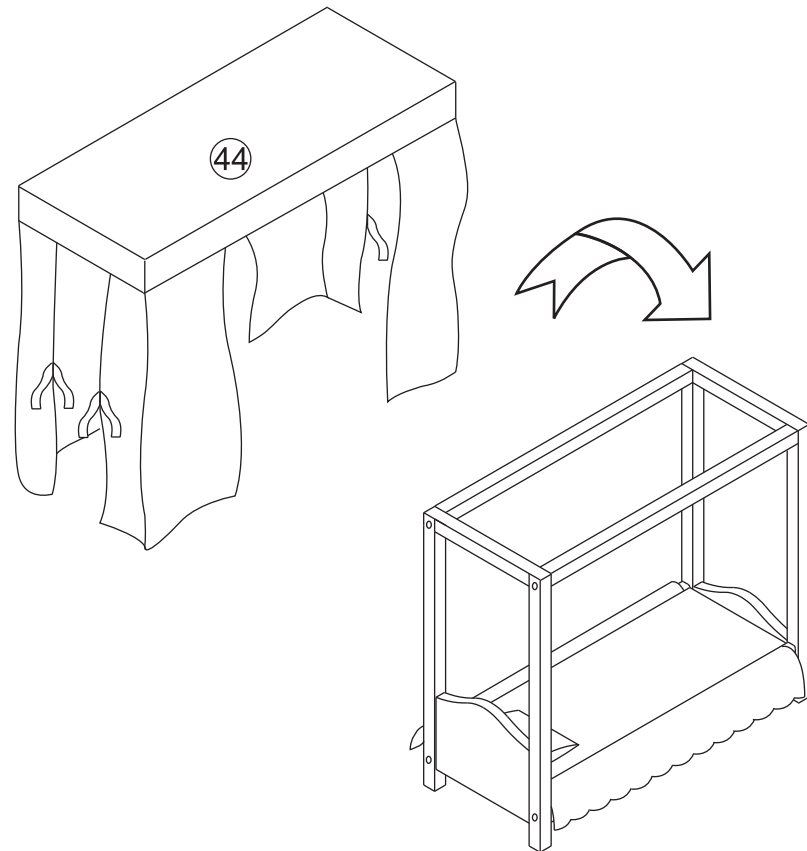
Step 13



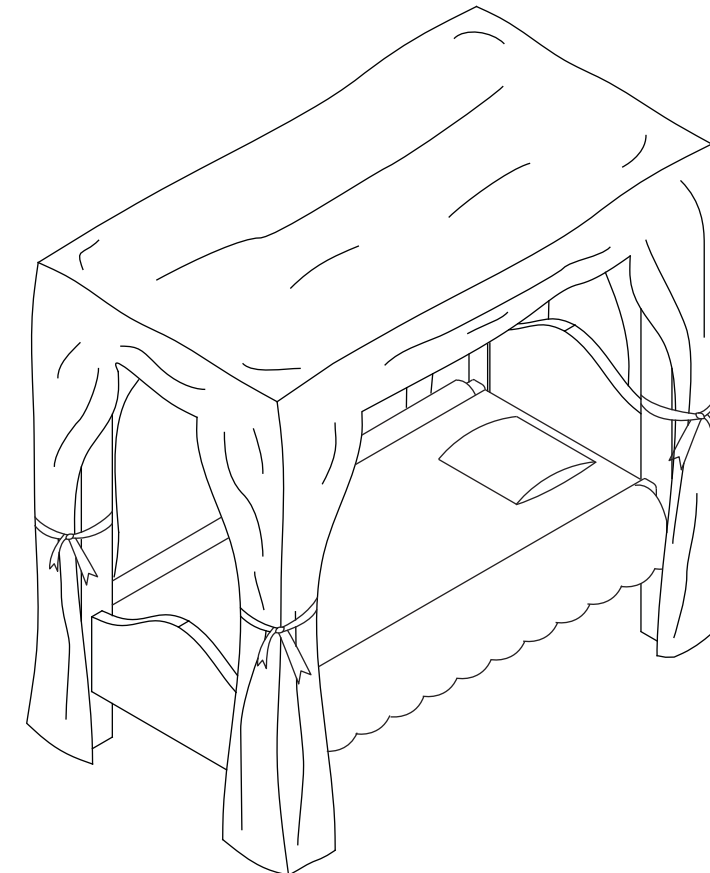
Step 14



Step 15



Complete



Tie lace ribbon around posts to secure the canopy top.



KidKraft®
Live • Learn • Play

© 2010 KidKraft, LP

Wall Anchor

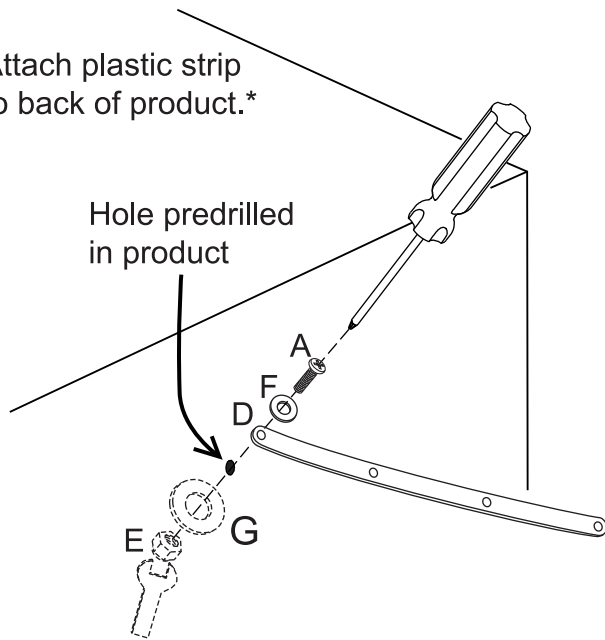
Assembly Instructions

***For safe installation it is essential to use hardware appropriate for your wall type. This wall anchor is only for Drywall surfaces where wood studs are not available. Mount to wood wall studs whenever possible.

Use a 1/8" (3mm) drill bit for the pilot hole. If mounting to plaster, wood panels, brick or other surfaces than drywall consult your local hardware store or a qualified professional.

Step 1

Attach plastic strip to back of product.*



*Product may vary

Hardware

A. Screw x 1



B. Wood Screw x 1



C. Plastic Anchor x 1



D. Plastic Strip x 1



E. Nylon Nut x 1



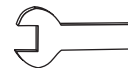
F. Small Washer x 2



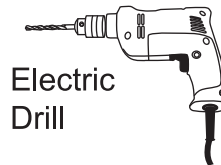
G. Large Washer x 1



Wrench x 1



The following tools (not included) are required for assembly:



Electric Drill



1/8" (3mm) Drill Bit



Phillips® Screwdriver

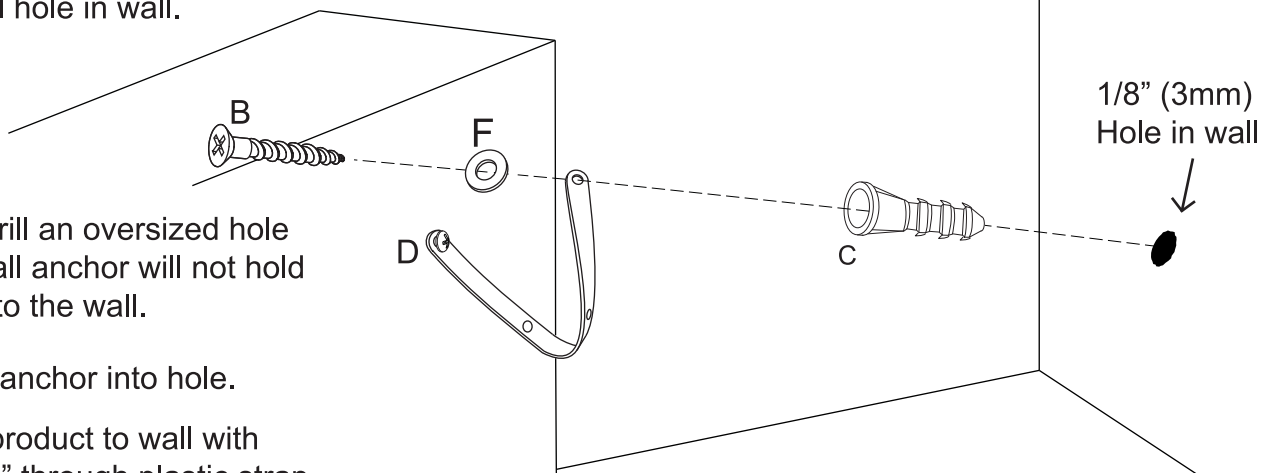
Step 2

Use 1/8" (3mm) drill bit to drill hole in wall.

Do not drill an oversized hole or the wall anchor will not hold tightly into the wall.

Tap wall anchor into hole.

Secure product to wall with screw "B" through plastic strap and into wall anchor.



⚠ CAUTION:

Adult assembly required.
Hardware contains small screws with sharp points.
Keep unassembled parts out of reach of small children.

⚠ WARNING:

Do not install on a wall where items can fall off and injure a child.

⚠ WARNING:

CHOKING HAZARD. Unassembled parts may be choking hazard to children 3 years and younger.



Parental supervision required.

This toy is intended for children of a specific age or above. Parents should supervise the play area so that children younger than the intended age range do not interact with this toy. Use this toy on the floor. Do not allow children to climb on or around or in the toy.

IMPORTANT INFORMATION - PLEASE READ FIRST

ALL OF OUR WOODEN ITEMS ARE HANDCRAFTED, HAND ASSEMBLED, AND HAND PAINTED. EACH ONE IS UNIQUE. SLIGHT IMPERFECTIONS MAY OCCUR AND ARE NOT MANUFACTURING DEFECTS.

PLEASE NOTE THAT WE DO NOT WARRANTY AGAINST THE USE OF PERMANENT MARKERS, NON-WATER-BASED PAINTS, CRAYONS, OR WASHABLE MARKERS. SOME OF THESE ITEMS CONTAIN PERMANENT COLOR DYES THAT COULD DAMAGE THE SURFACE.

CLEANING INSTRUCTIONS

CLEAN THE SURFACE USING A SLIGHTLY DAMP CLOTH AND MILD DISH WASHING LIQUID IF NECESSARY. DO NOT USE ANY CLEANING PRODUCT CONTAINING ALCOHOL OR AMMONIA. THESE WILL DULL THE SHINY SURFACE OF THE PRODUCT. FURNITURE POLISH WILL ALSO WORK TO CLEAN AND DUST OFF THE SURFACE.

WE RECOMMEND THAT YOU TEST ALL CLEANING MATERIALS ON THE UNDERSIDE OF ANY SURFACE THAT WOULD NOT BE SEEN DURING NORMAL USE OF THE PRODUCT. IF YOU HAVE QUESTIONS REGARDING THE MAINTENANCE OF THIS PRODUCT PLEASE FEEL FREE TO CALL US.

SOLE AND LIMITED WARRANTY

THIS TOY IS WARRANTED SOLELY AGAINST MANUFACTURING DEFECTS FOR A PERIOD OF 90 DAYS FROM THE DATE OF PURCHASE, WHICH RUNS ONLY TO THE ORIGINAL USER OF THE TOY. IN THE EVENT OF A MANUFACTURING DEFECT, PARTS WILL BE REPLACED OR THE ENTIRE PRODUCT WILL BE REPLACED OR THE PURCHASE PRICE WILL BE REFUNDED, AT THE ELECTION OF THE MANUFACTURER. TO ACTIVATE AND PROTECT THIS WARRANTY, PRESERVE EVIDENCE OF ORIGINAL PURCHASE AND CAREFULLY INSPECT THE CONDITION OF THE TOY PRIOR TO AND AFTER ASSEMBLY, LOOKING FOR MISSING, DEGRADED, BROKEN OR HAZARDOUS PARTS, INCLUDING PARTS WHICH CAN BE SWALLOWED BY A CHILD, CAUSE A CHILD TO CHOKe, OR OTHERWISE CAUSE INJURY. SUCH PARTS MAY INCLUDE MAGNETS, WHEELS, HUBS, FASTENERS, AND CONNECTORS. SHOULD YOU OBSERVE ANY DEFECTS, DO NOT USE THE TOY AND IMMEDIATELY NOTIFY THE MANUFACTURER. FAILURE TO DO SO SHALL CONSTITUTE MISUSE. MISUSE, IMPROPER ASSEMBLY, FAILURE TO HONOR A WARNING, FAILURE TO SUPERVISE, INSPECT OR MAINTAIN THE TOY, OR DAMAGE TO THE TOY, WHETHER INTENTIONAL OR INADVERTENT, SHALL INVALIDATE THIS WARRANTY. THIS WARRANTY GIVES YOU SPECIFIC LEGAL RIGHTS, AND YOU MAY ALSO HAVE OTHER RIGHTS WHICH VARY FROM STATE TO STATE.

TO SUBMIT A WARRANTY CLAIM PLEASE CONTACT KIDKRAFT CUSTOMER SERVICE AT 1-800-933-0771 FOR INSTRUCTIONS ON HOW TO PROVIDE PROOF OF PURCHASE AND HOW TO RETURN THE ITEM FREIGHT PRE-PAID.

CUSTOMER SERVICE 1-800-933-0771

www.kidkraft.com