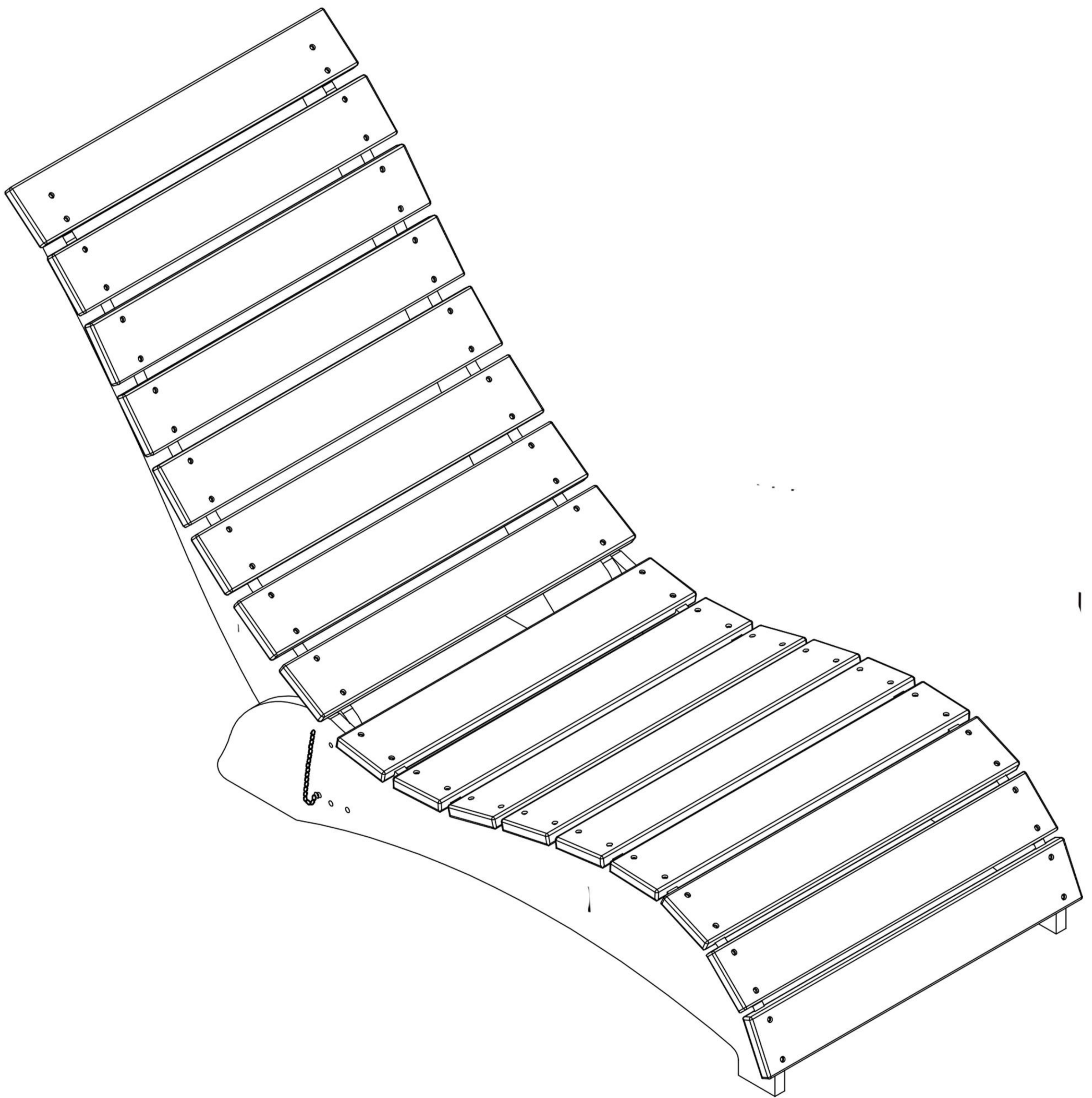


# USER'S MANUAL

Product Name: **Pool Lounge Chairs**



THIS INSTRUCTION BOOKLET CONTAINS **IMPORTANT SAFETY INFORMATION**.

PLEASE READ AND KEEP FOR FUTURE REFERENCE.

# Thank you

Thank you for choosing us.

We hope your new furniture helps create a gathering place for you and your loved ones to enjoy for many years to come!

## Contact Us

**Question? Concerns? We'd love to hear them!**

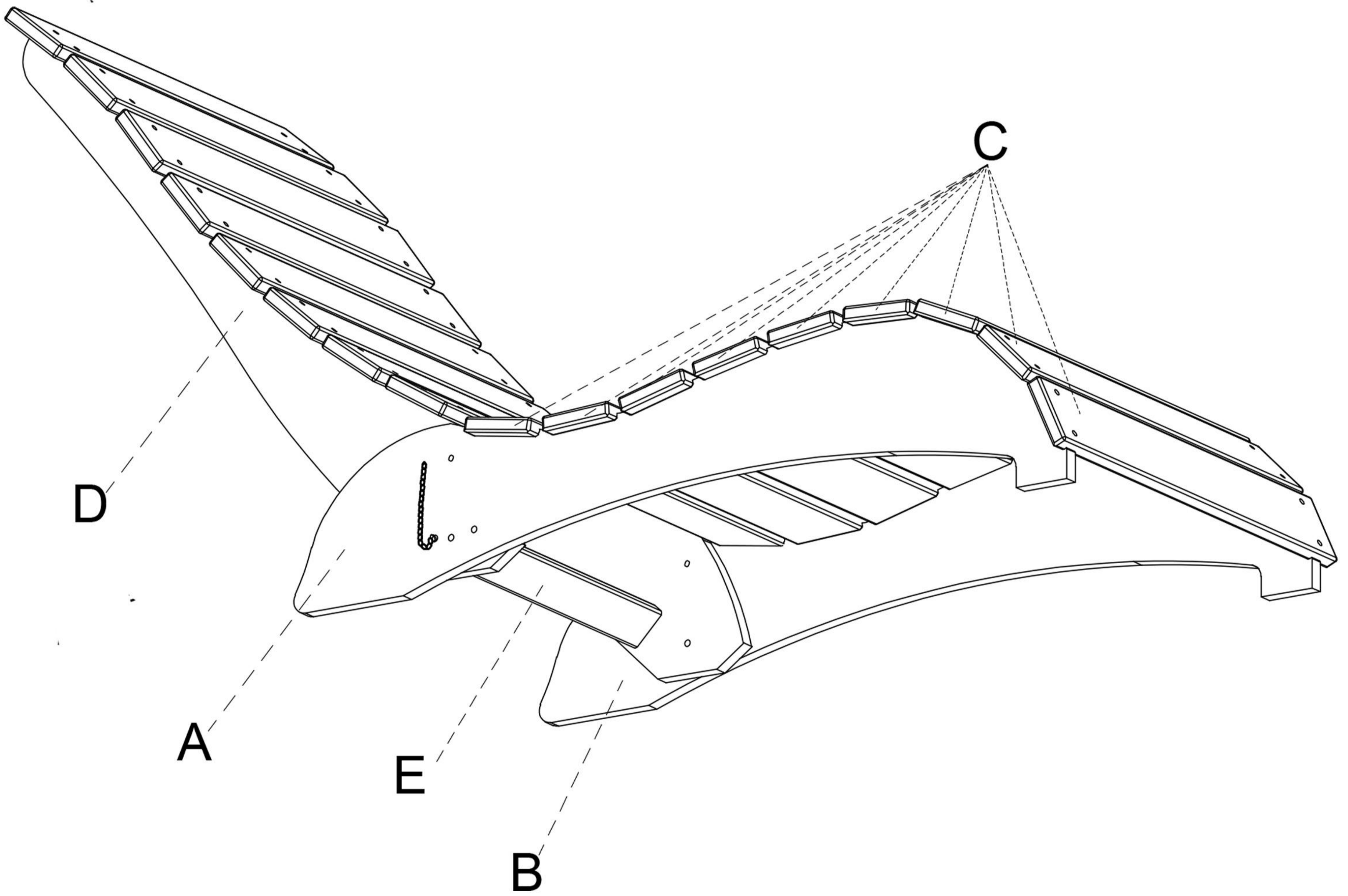
**E-mail: [jinmai211211@gmail.com](mailto:jinmai211211@gmail.com)**

**We will reply within 24 business hours**

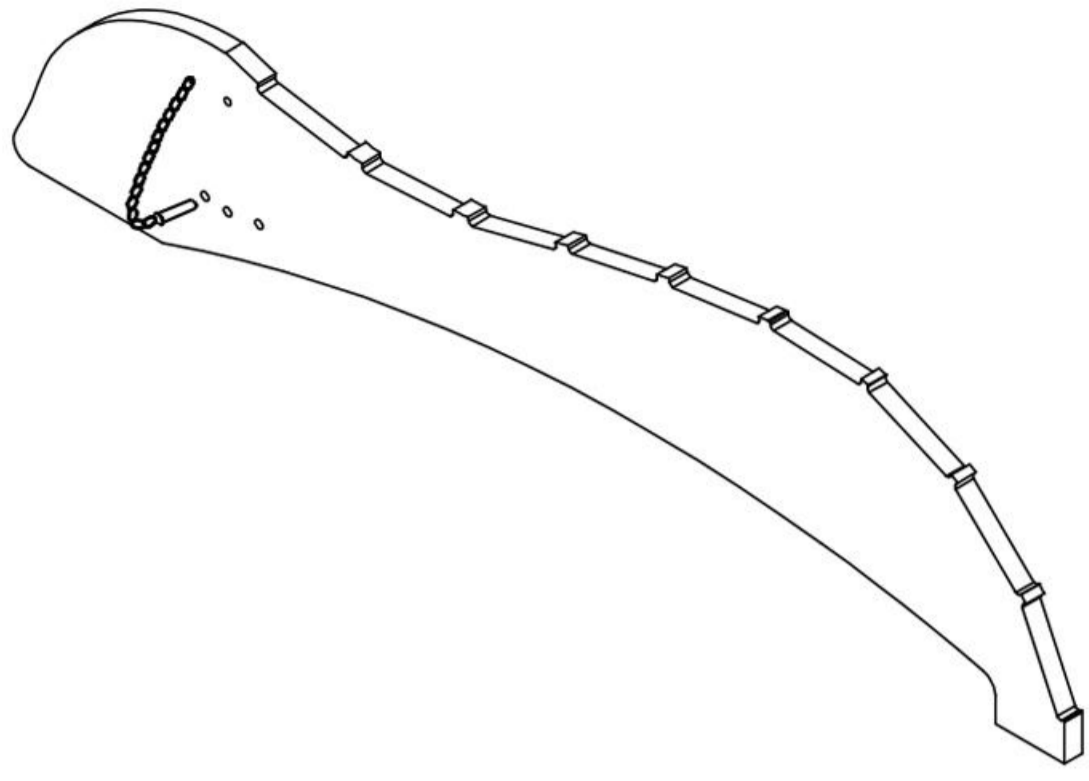
## Before You Start

- Please read all instructions carefully.
- Retain instructions for future reference.
- Separate and count all parts and hardware.
- Read through each step carefully and follow the proper order.
- We recommend that, where possible, all items are assembled near to the area in which they will be placed in use, to avoid moving the product unnecessarily once assembled.
- Always place the product on a flat, steady and stable surface.
- Keep all small parts and packaging materials for this product away from babies and children.

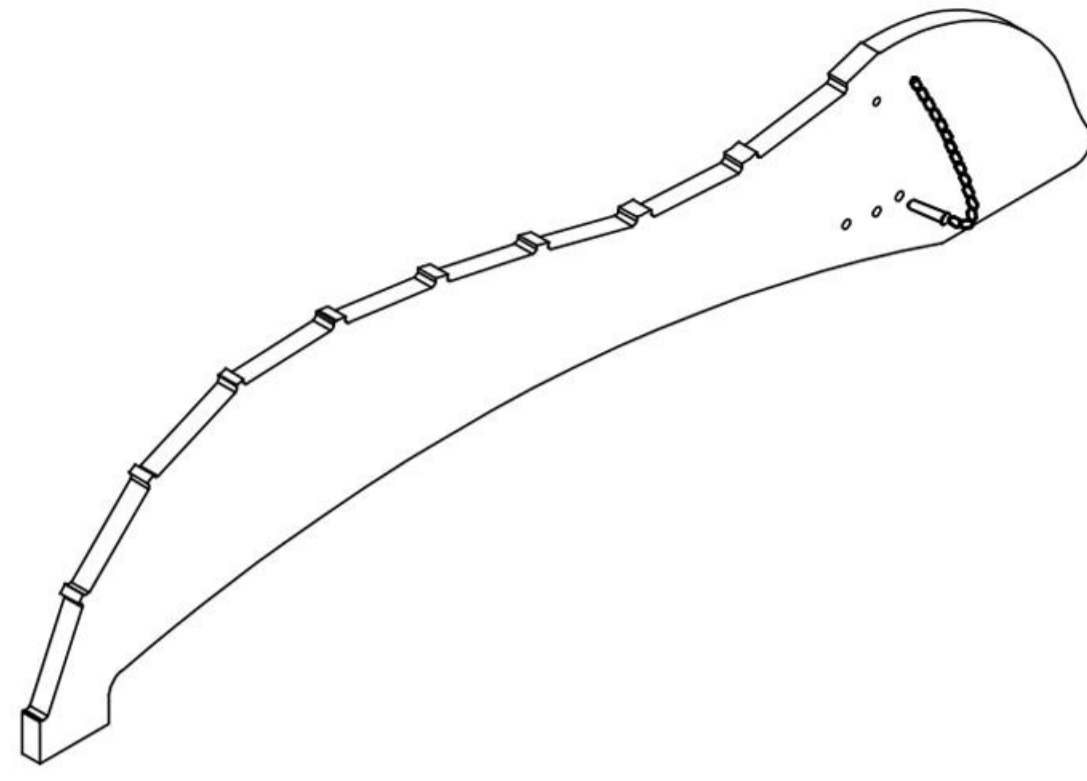
# KNOW YOUR PARTS



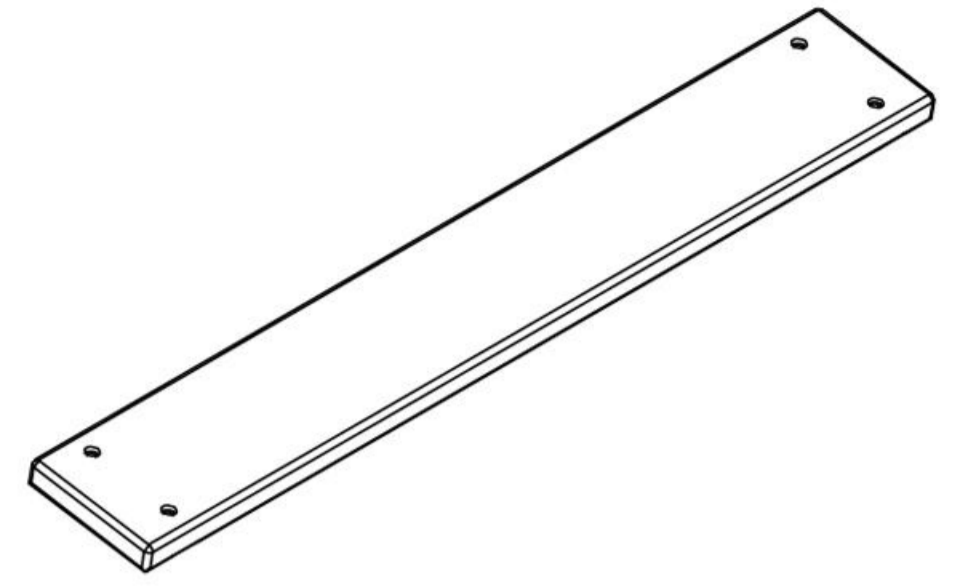
# KNOW YOUR PARTS



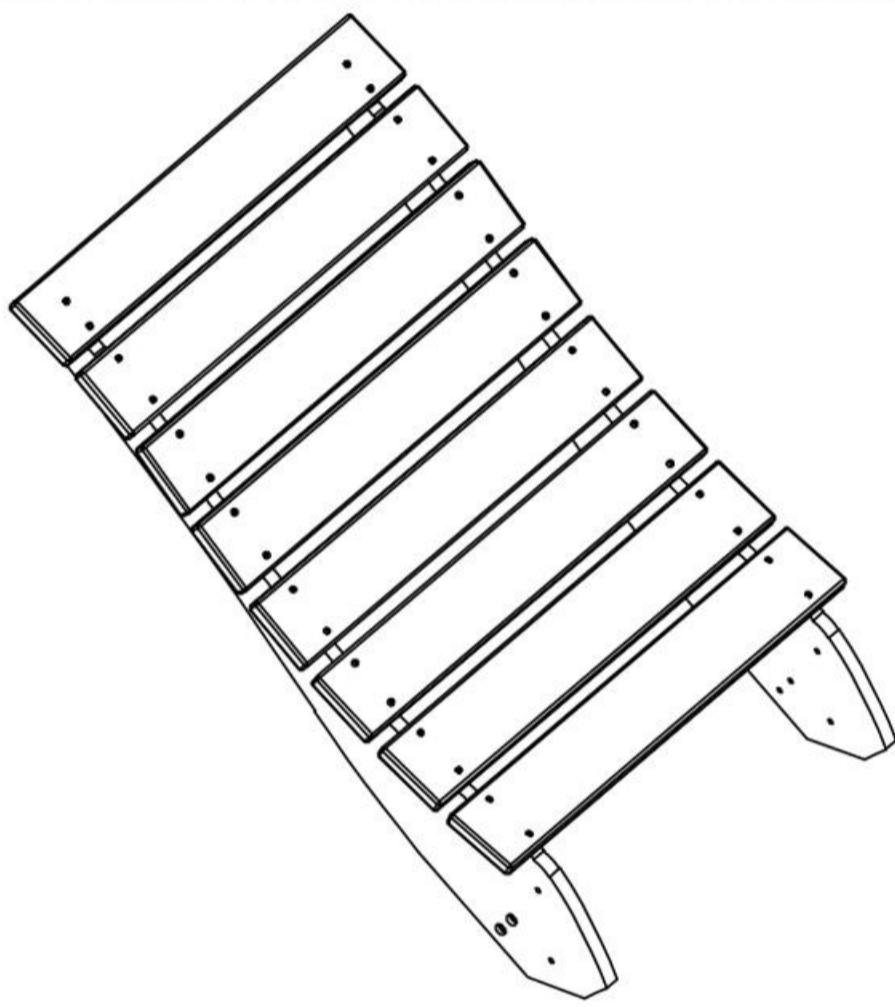
A x1



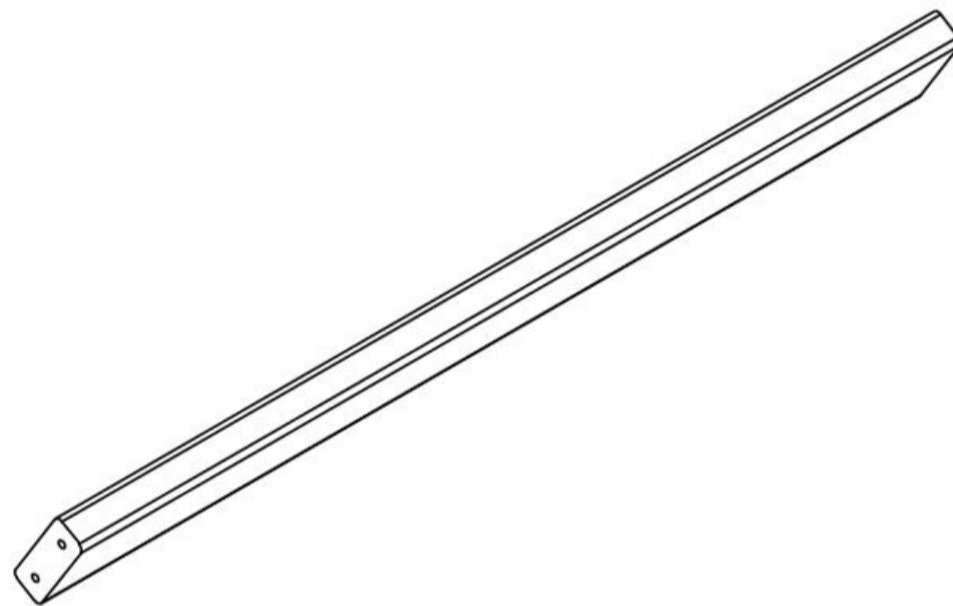
B x1



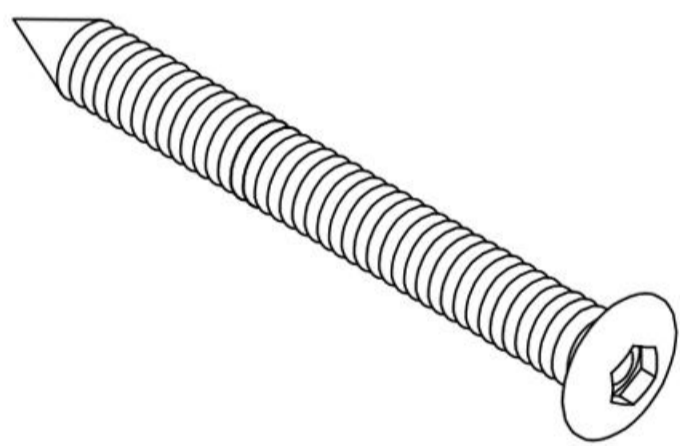
C x9



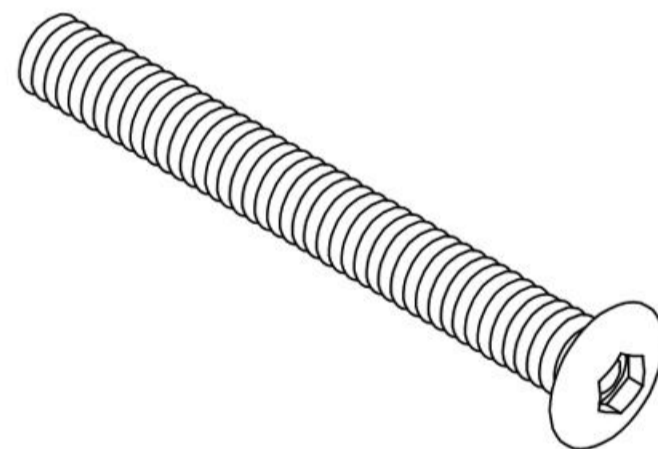
D x1



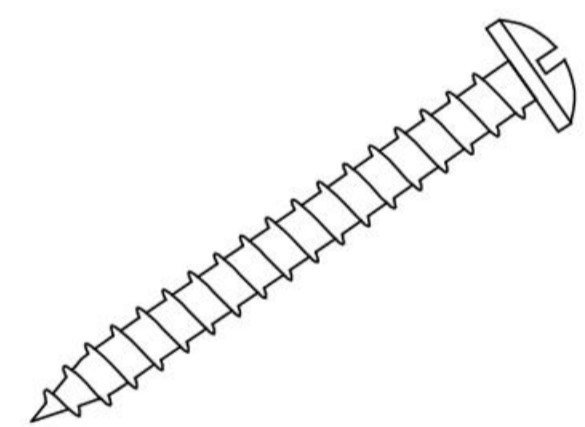
E x1



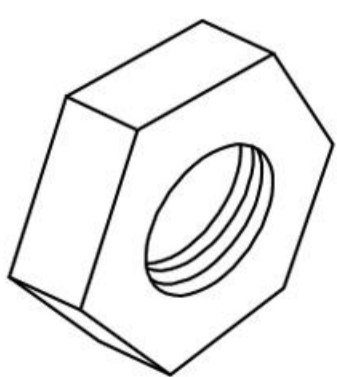
F (40mm)x4



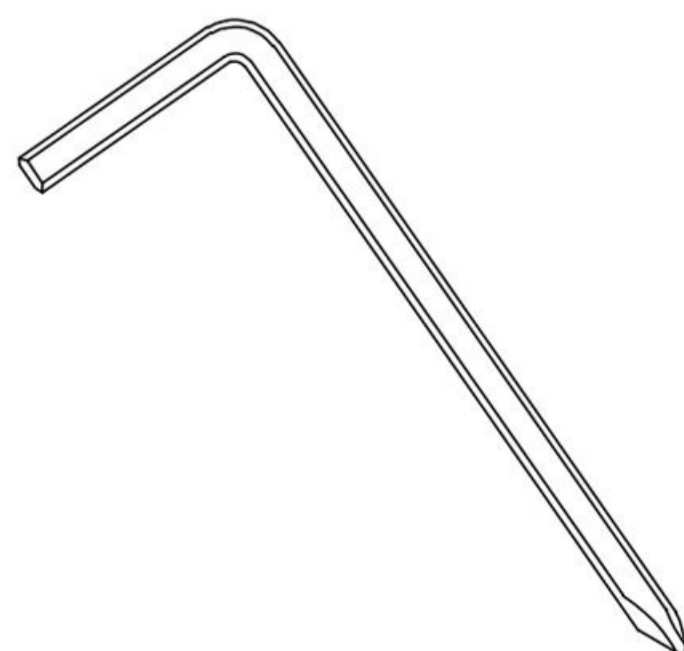
G (45mm)x2



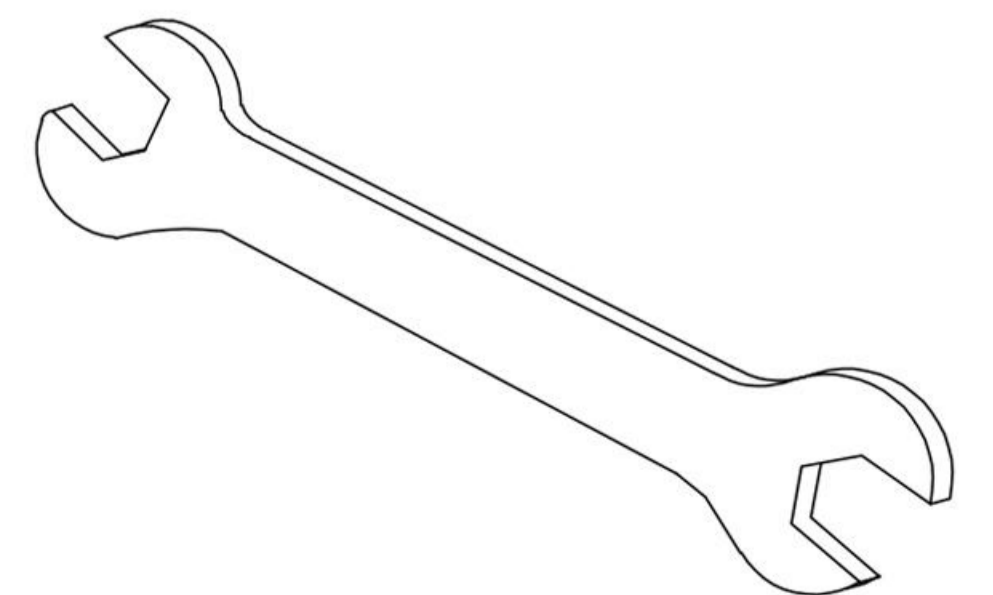
H (35mm)x36



I x2

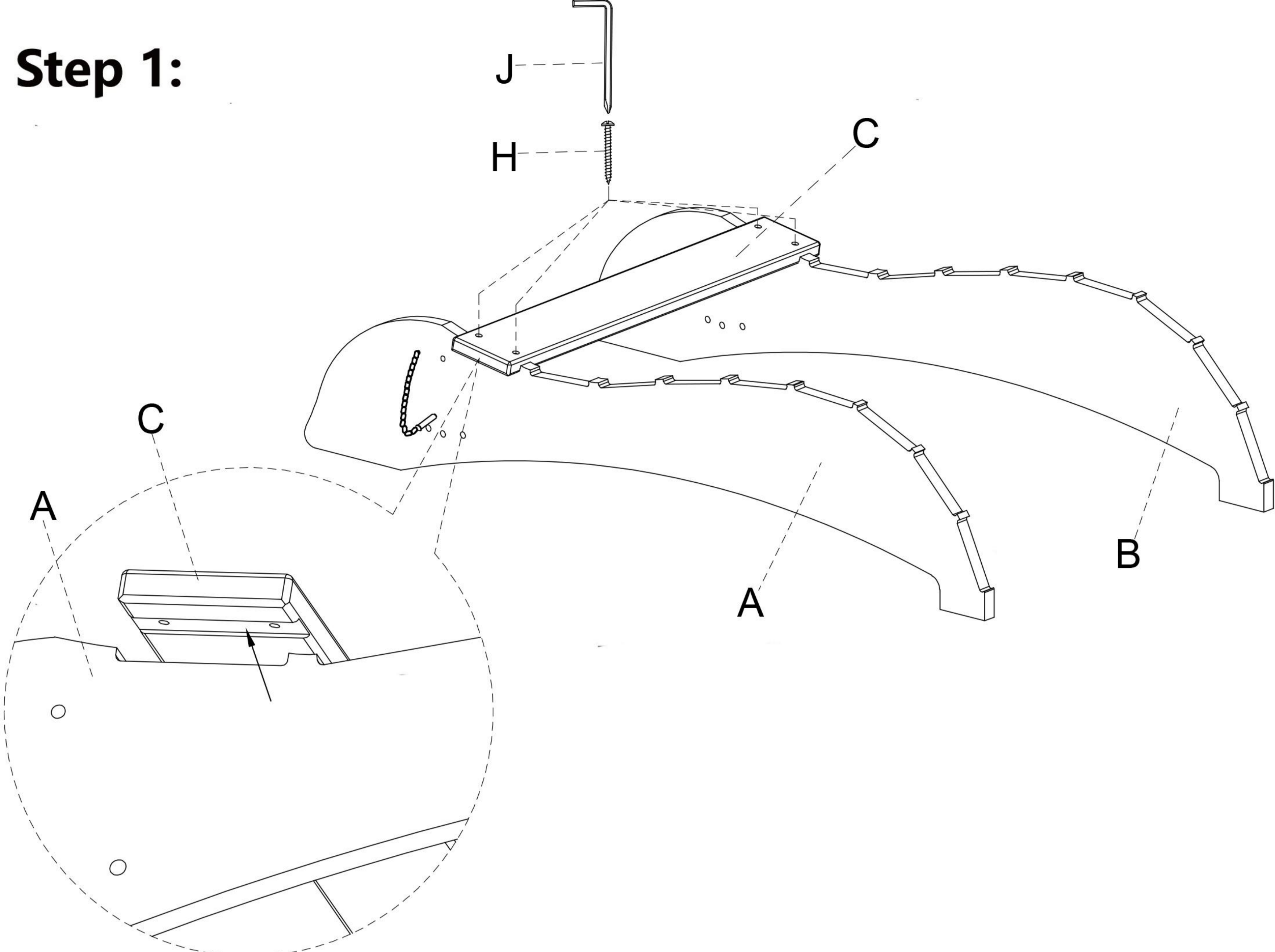


J x1

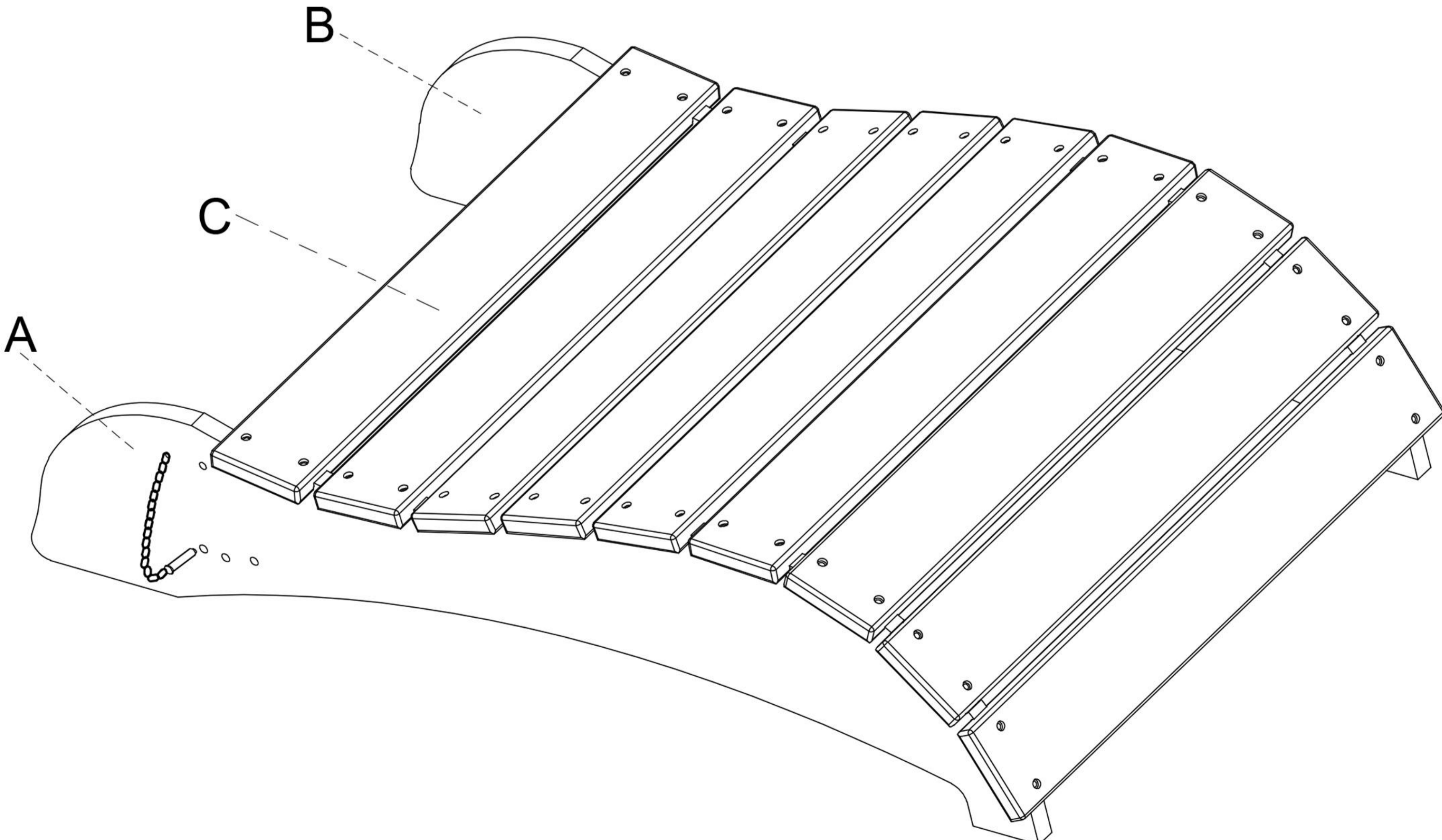


K x1

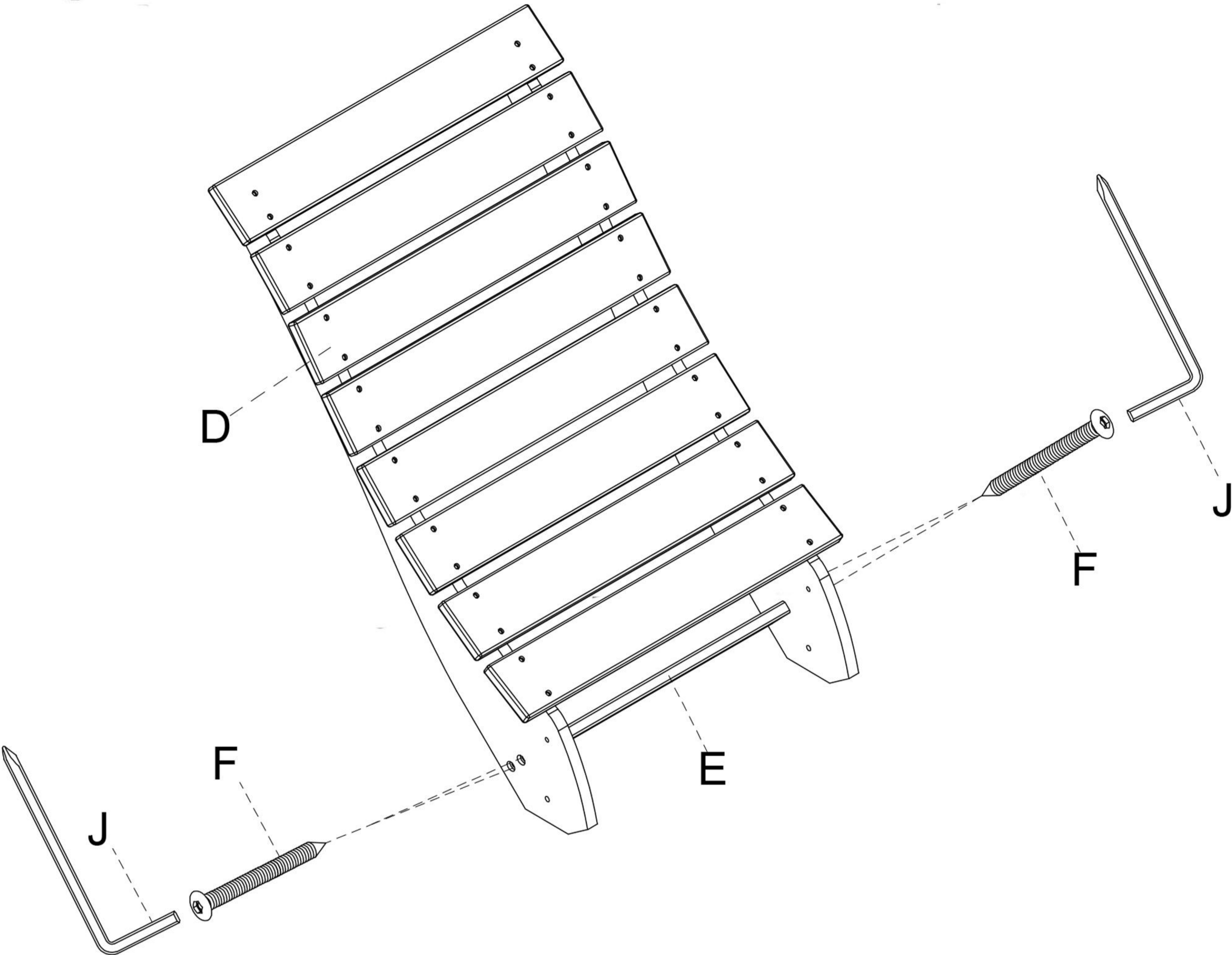
**Step 1:**



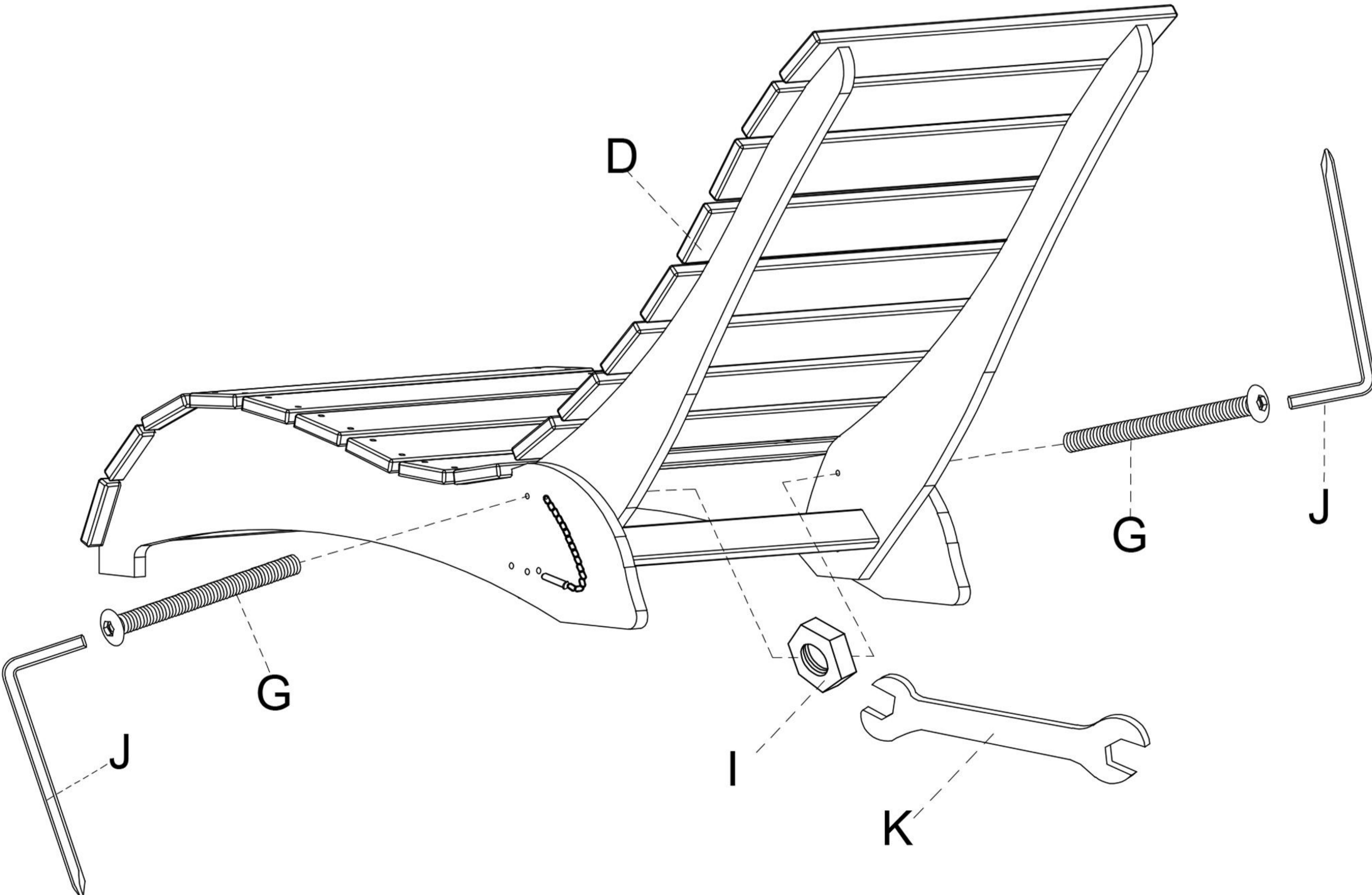
**Step 2:**



# Step 3:



# Step 4:



## Step 5:

### Notice

Tighten all screws after installation

