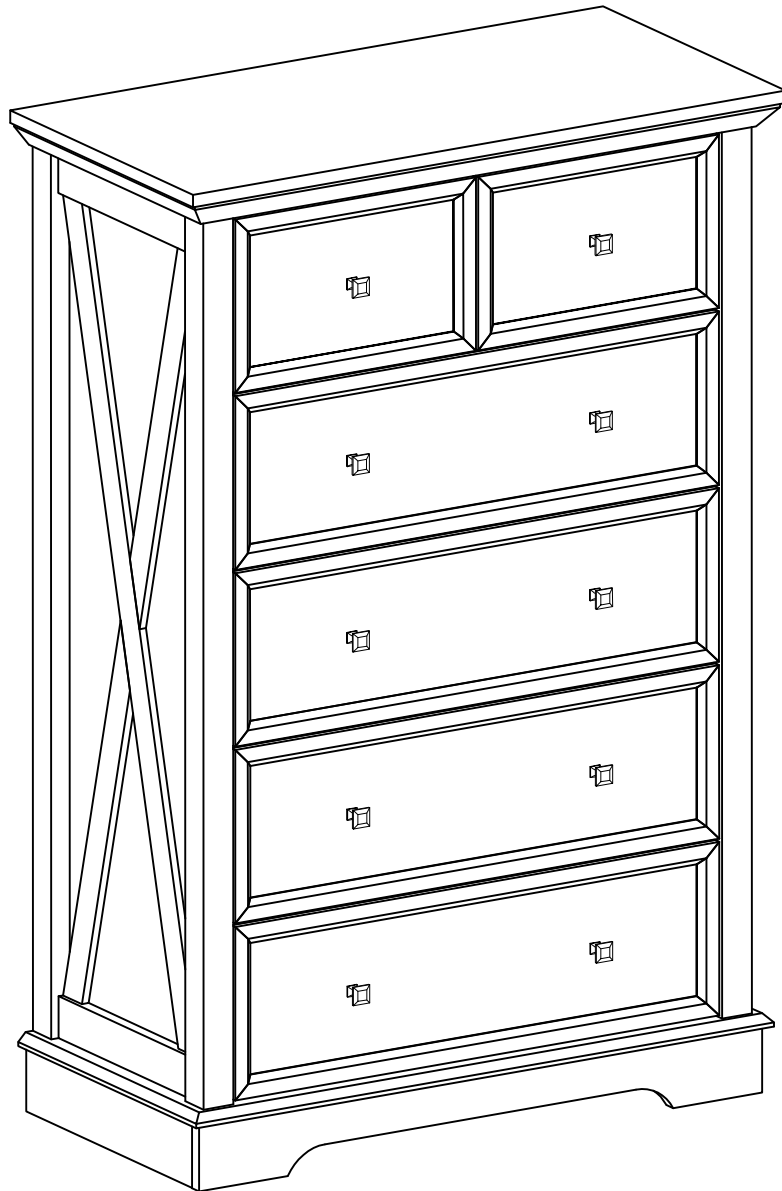


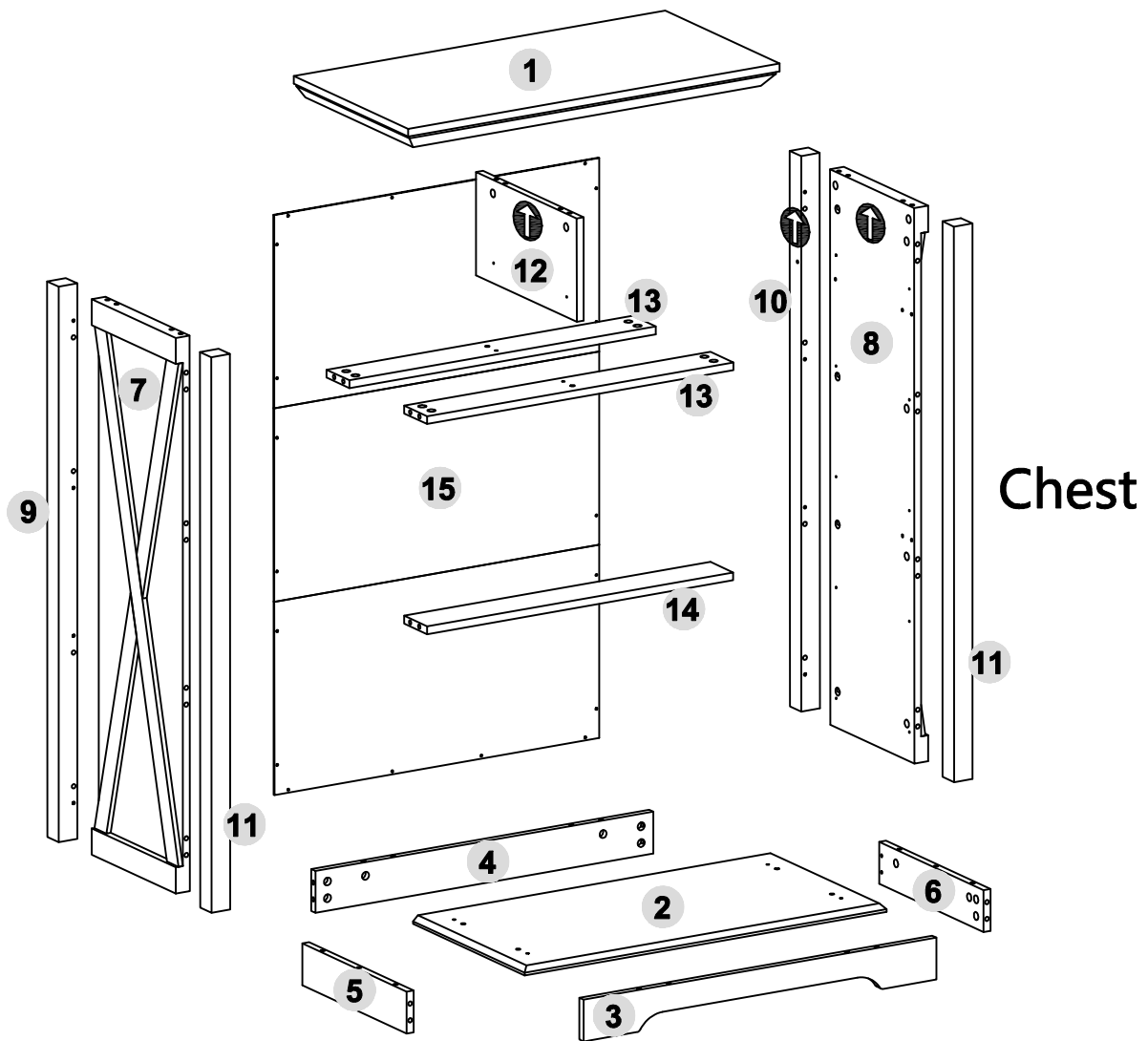
Multi functional storage

Assembly Instructions



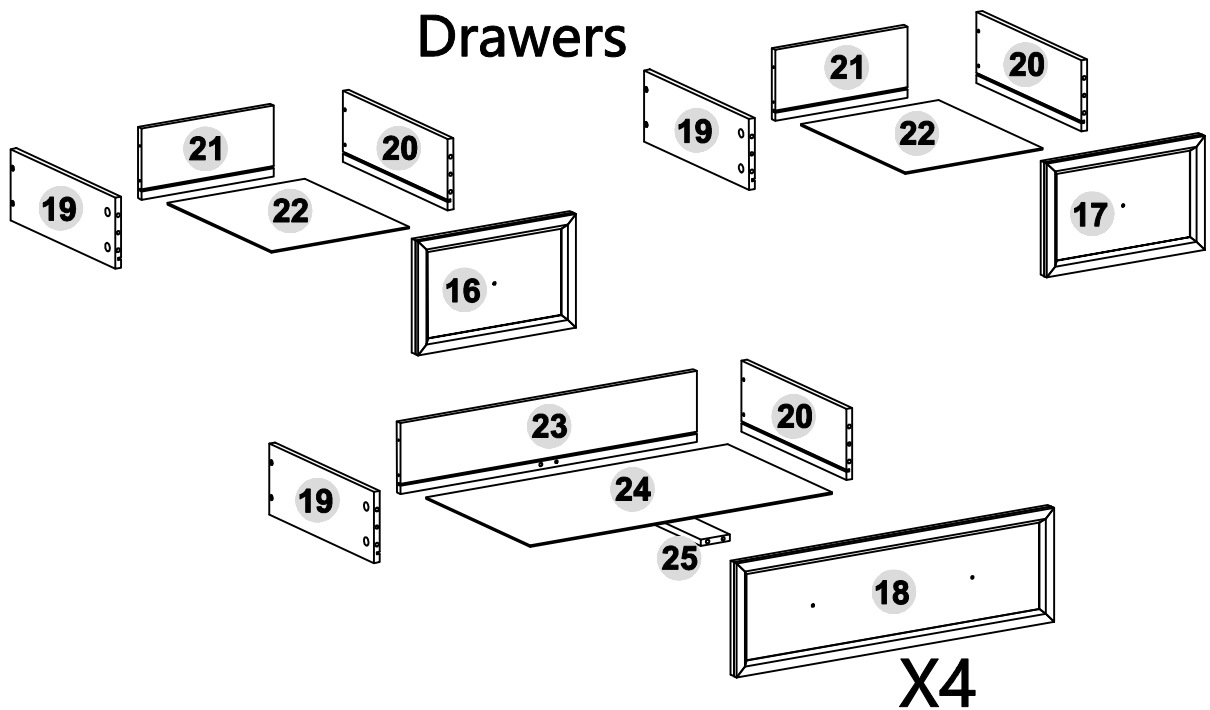
PACKAGE INCLUDE

STRUCTURE FOR REFERENCE TO ASSEMBLY



Chest

Drawers

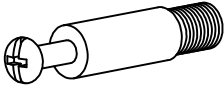

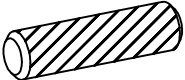
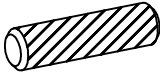




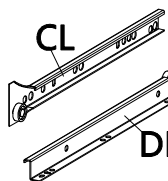
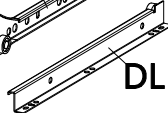
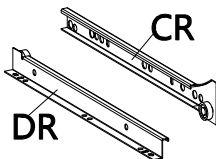


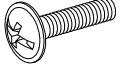
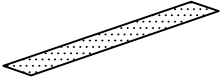





X4

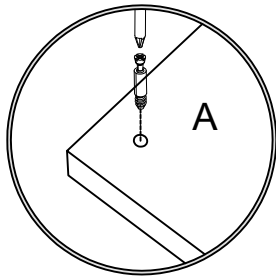
PART IDENTIFICATION

CODE	DESCRIPTION	QTY
1	Top panel	1
2	Bottom panel	1
3	Base front leg	1
4	Base hind leg	1
5	Base left leg	1
6	Base right leg	1
7	Left side frame	1
8	Right side frame	1
9	Left hind side post	1
10	Right hind side post	1
11	Front side post	2
12	Upper middle partition panel	1
13	Upper drawbar	2
14	Lower drawbar	1
15	Back panel	1
16	Left front panel of upper drawer	1
17	Right front panel of upper drawer	1
18	Front panel of lower drawer	4
19	Drawer left side panel	6
20	Drawer right side panel	6
21	Upper drawer tail plate	2
22	Bottom panel of upper drawer	2
23	Lower drawer tail plate	4
24	Bottom panel of lower drawer	4
25	Bottom drawbar of lower drawer	4

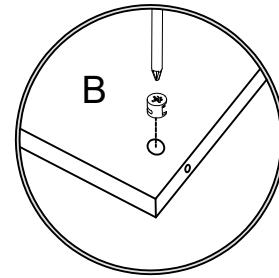
PACKAGE CONTENT

 <p>A 82x+1</p>	<p>Ø15x9MM</p>  <p>B 82x+1</p>	<p>Ø8x30MM</p>  <p>C 34x+1</p>	<p>Ø6x30MM</p>  <p>D 20x+1</p>
<p>Ø3.5x35MM</p>  <p>E 24x</p>	<p>Ø4x12MM</p>  <p>F 48x+1</p>	<p>Ø3.5x12MM</p>  <p>G 20x+1</p>	<p>Ø4x50MM</p>  <p>H 6x</p>
<p>14"</p>  <p>CL</p>  <p>DL</p> <p>I 6x</p>	<p>14"</p>  <p>CR</p>  <p>DR</p> <p>I 6x</p>	 <p>J 10x</p>	<p>M4x16MM</p>  <p>K 10x</p>
   <p>L 2x</p>	 <p>1x</p>		

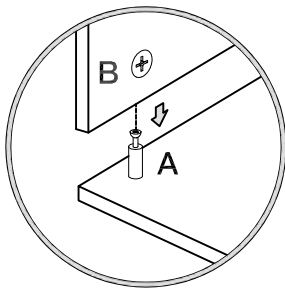
How to use the cam lock system



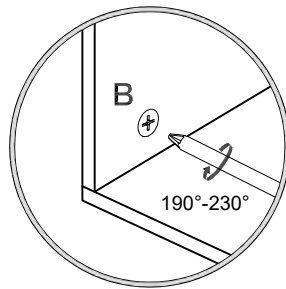
1. Screw cam bolt into panel



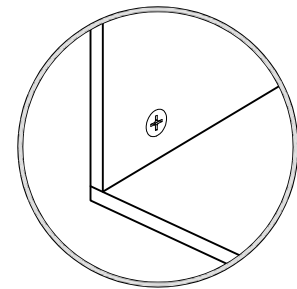
2. Push cam into panel - arrow feature on cam top points to panel edge



3. Align cam bolt(s) with cam(s) and insert all the way into cross-bored hole(s)

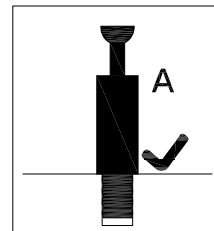
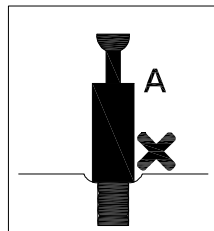
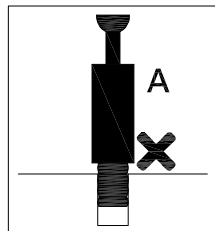
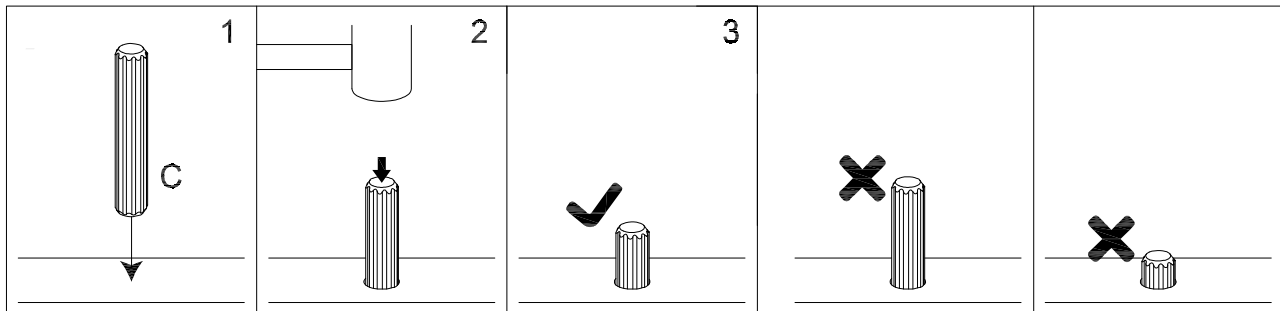


4. Rotate cam(s) clockwise 190°-230° to lock panels together



5. Panels should be tight against each other and connection should be rigid

Insert the wood dowel [C] at least half way by tapping lightly with a rubber mallet, IF NECESSARY.

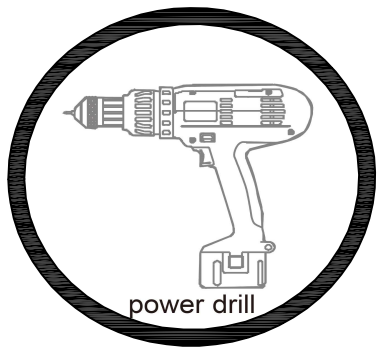


⚠ WARNING

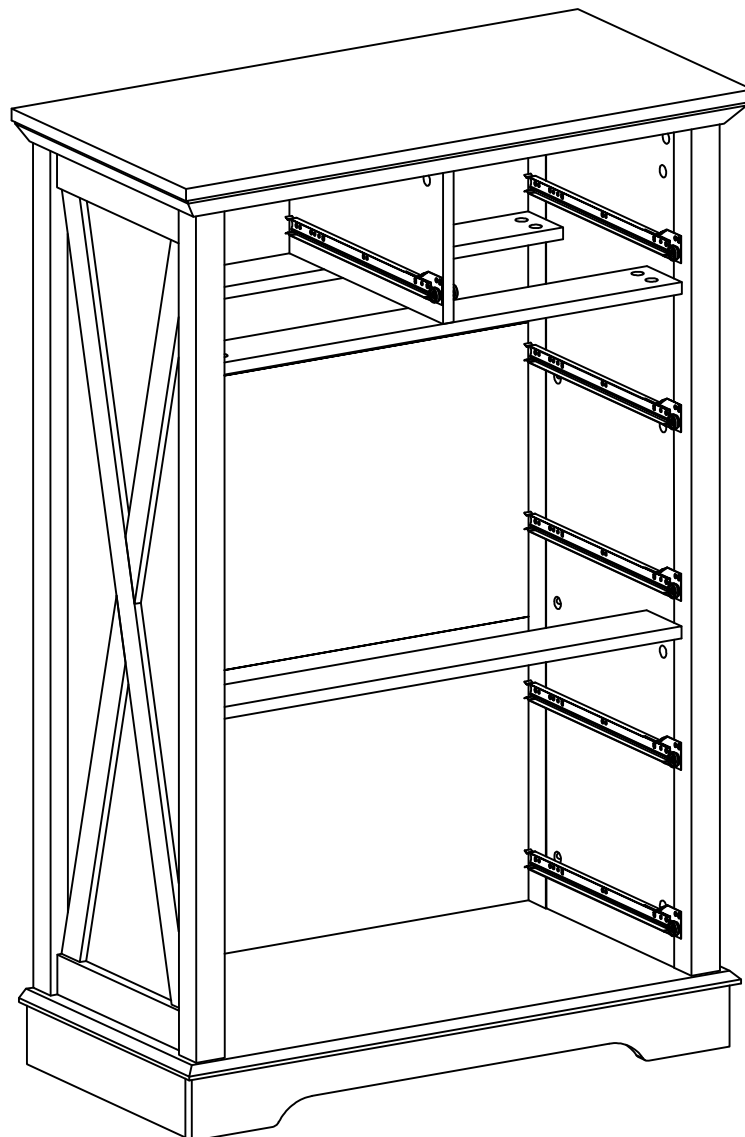
- Unit must be placed on a level surface or leveled with included hardware (when applicable).
- Do not sit or stand on or allow children to climb, sit or stand on the assembled product.
- For safety reasons, it is imperative that this unit be mounted to the wall.
- Do not use without installing the tip restraint.
- Unit can tip over causing severe injury or death.
- Do not exceed the recommended weight limits.
- Evenly distribute the weight on each level and always keep the heavier loads on the bottom.
- Before cutting, drilling or hammering into any wall or floor surface, verify the location of electrical, plumbing and gas lines. Cutting may cause serious injury.

You are now ready to assemble the dresser

Before installation, please have an overall view of the installation instructions, observe the structure of this drawer dresser, imagine how to install it faster, hope this will help. This drawer dresser consists of two main parts, please assemble the chest first, and then install the two small drawers and four larger drawers. Finally, take a look at the finished look and check against the instructions to make sure it is installed correctly.

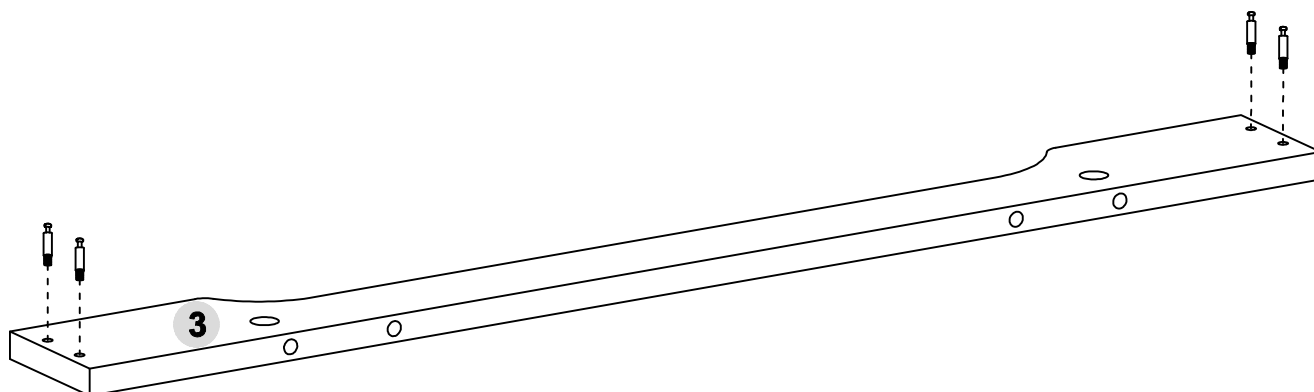
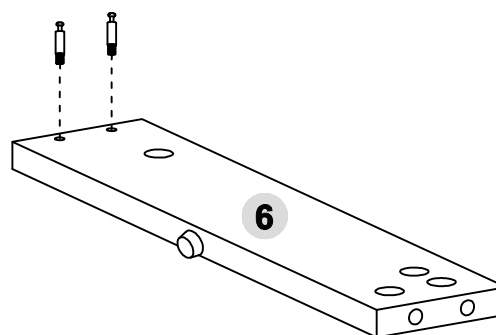
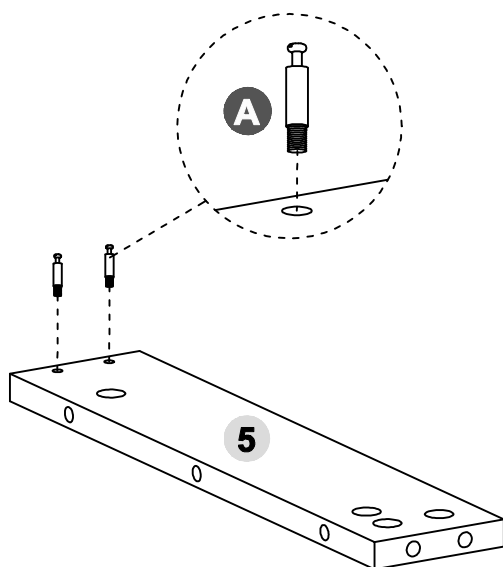
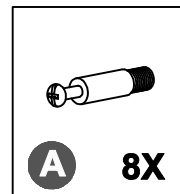


We recommend using a power drill to assemble.



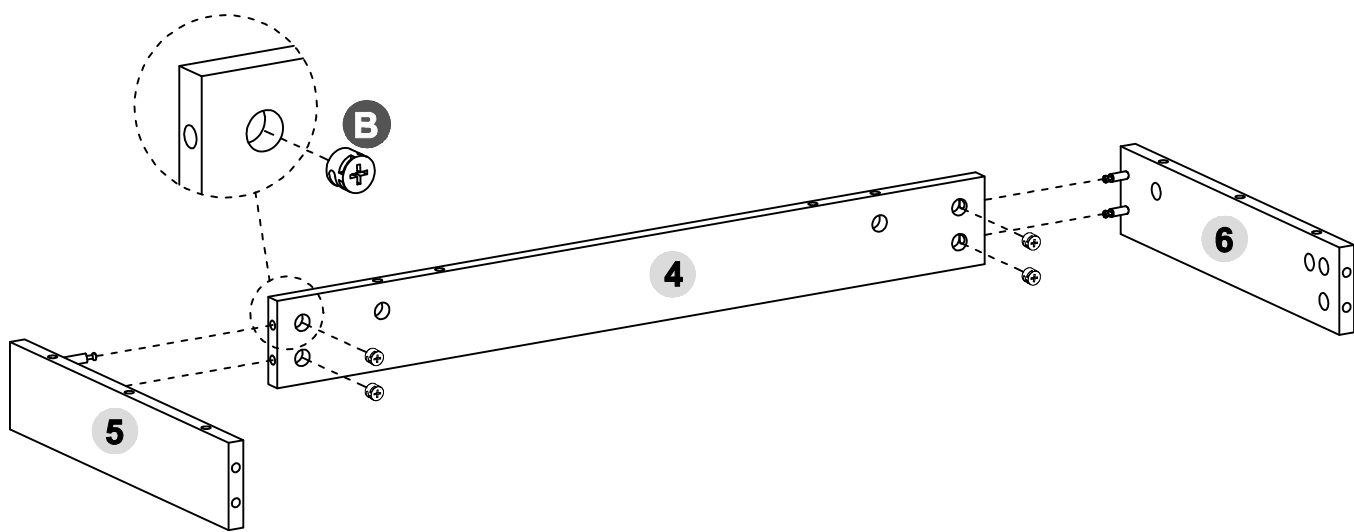
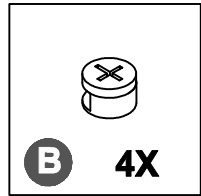
STEP 1

- Screw (A) to (3) (5) (6) as below shown



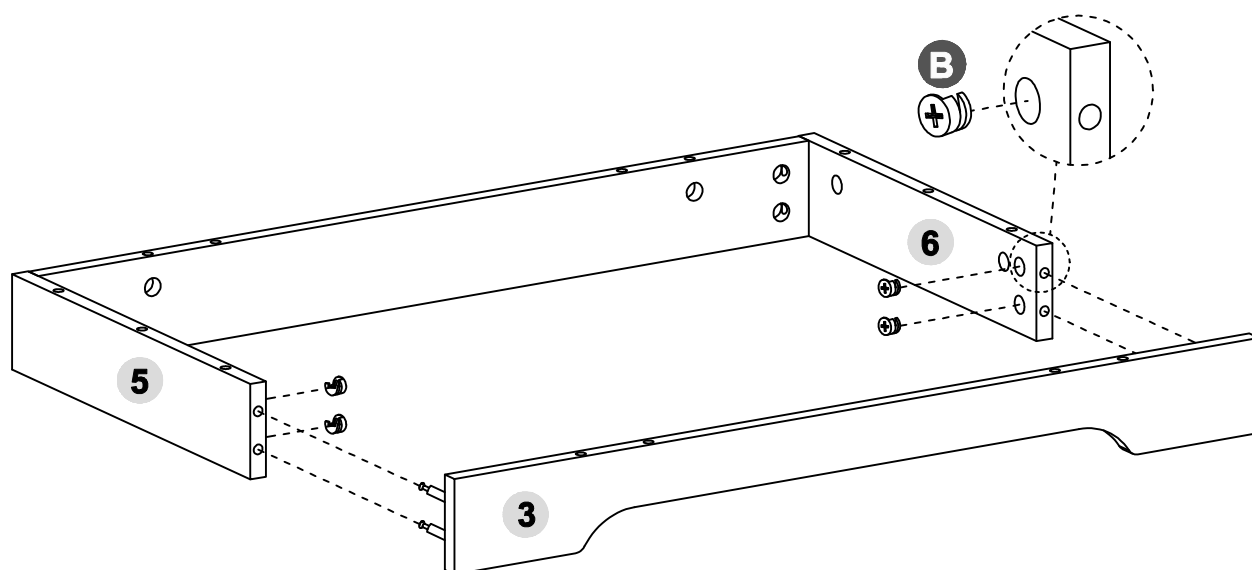
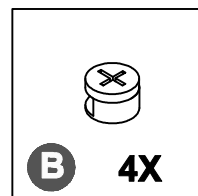
STEP 2

- Screw (B) to (4)&(5) (6) as below shown



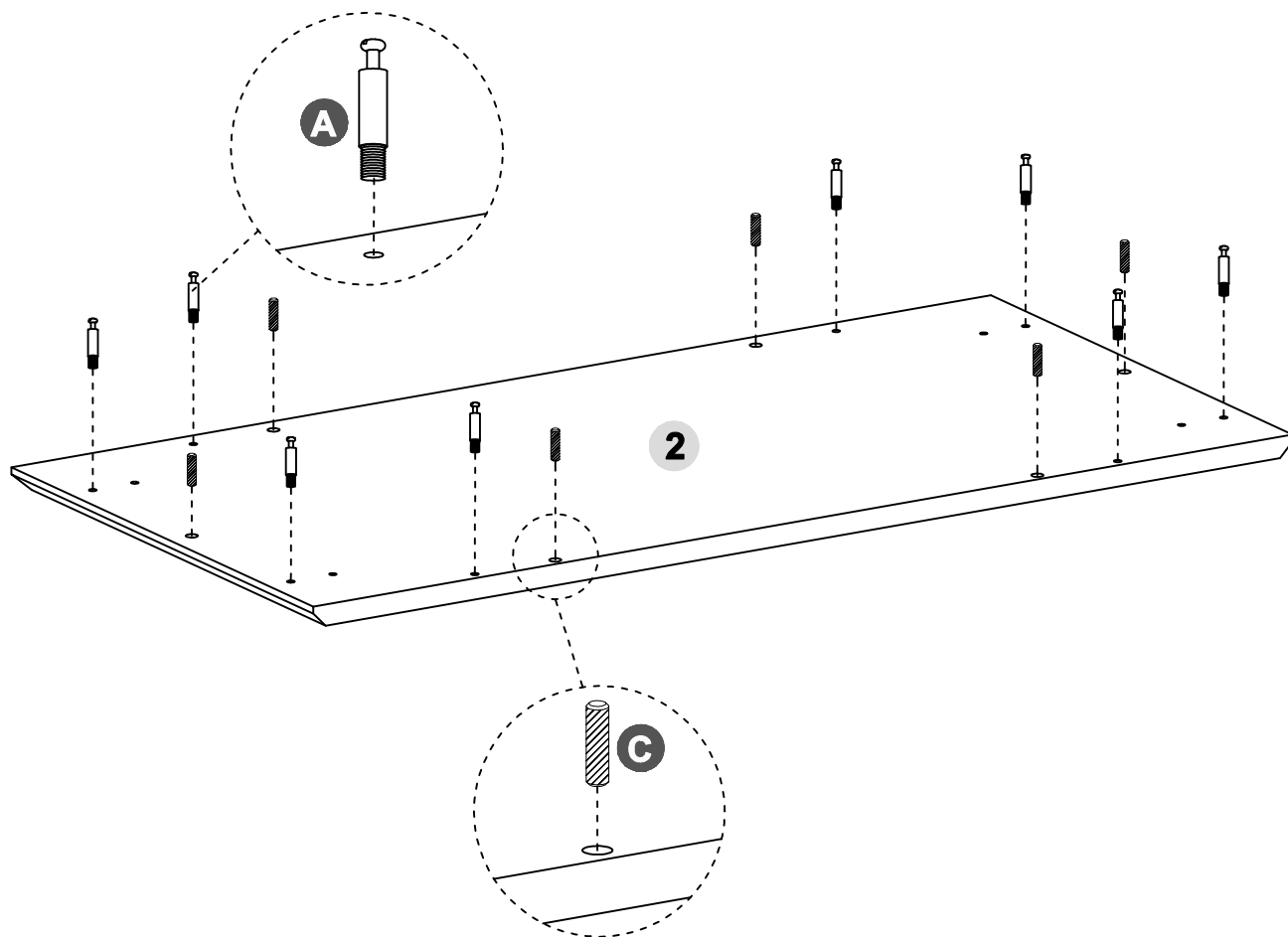
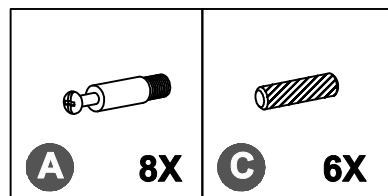
STEP 3

- Screw (B) to (3)&(5) (6) as below shown



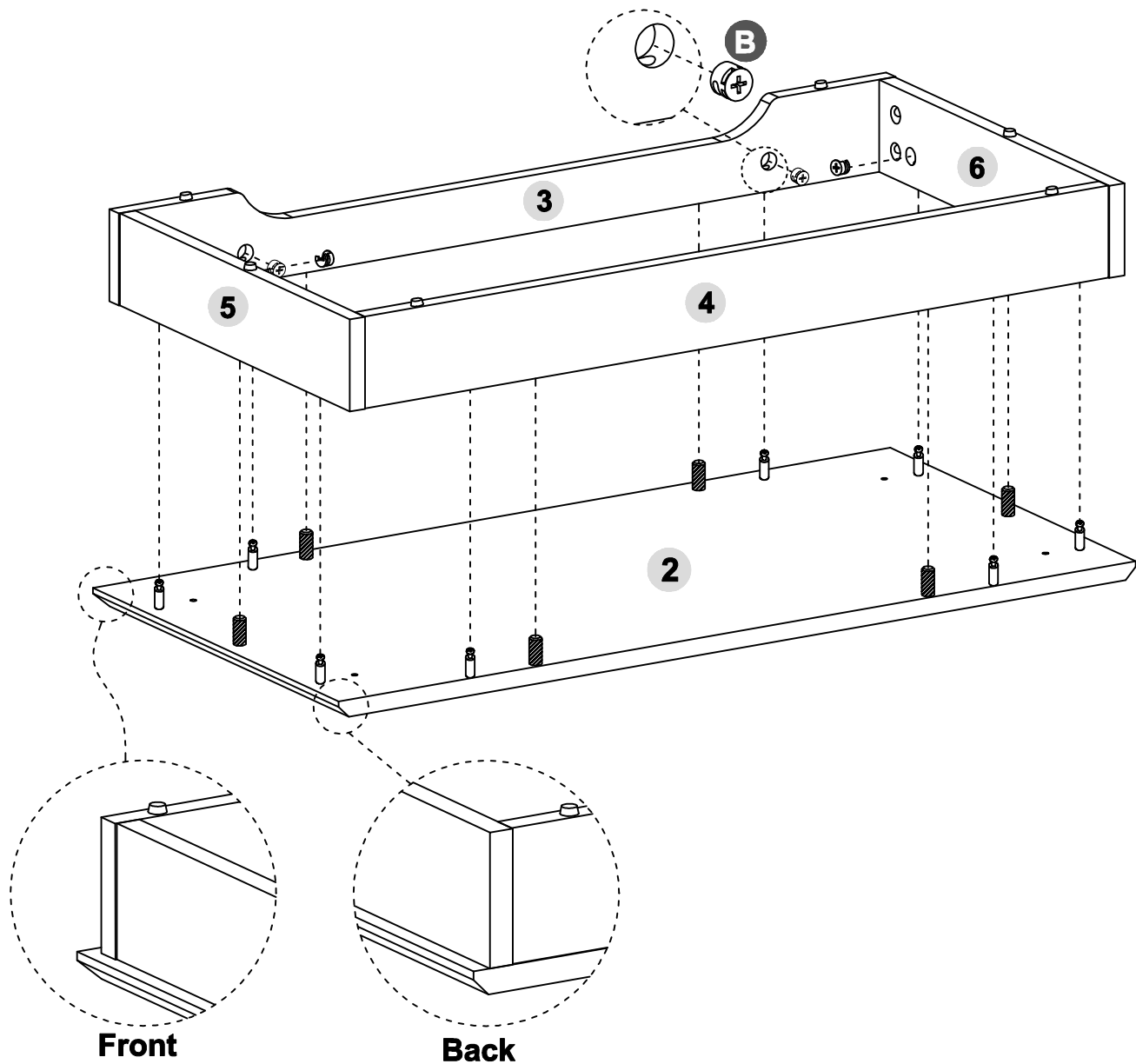
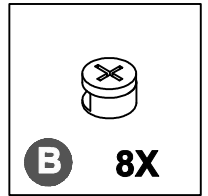
STEP 4

- Screw (A)&(C) to (2) as below shown



STEP 5

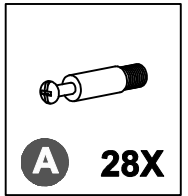
- Screw (B) to (2)&(3) (4) (5) (6) as below shown



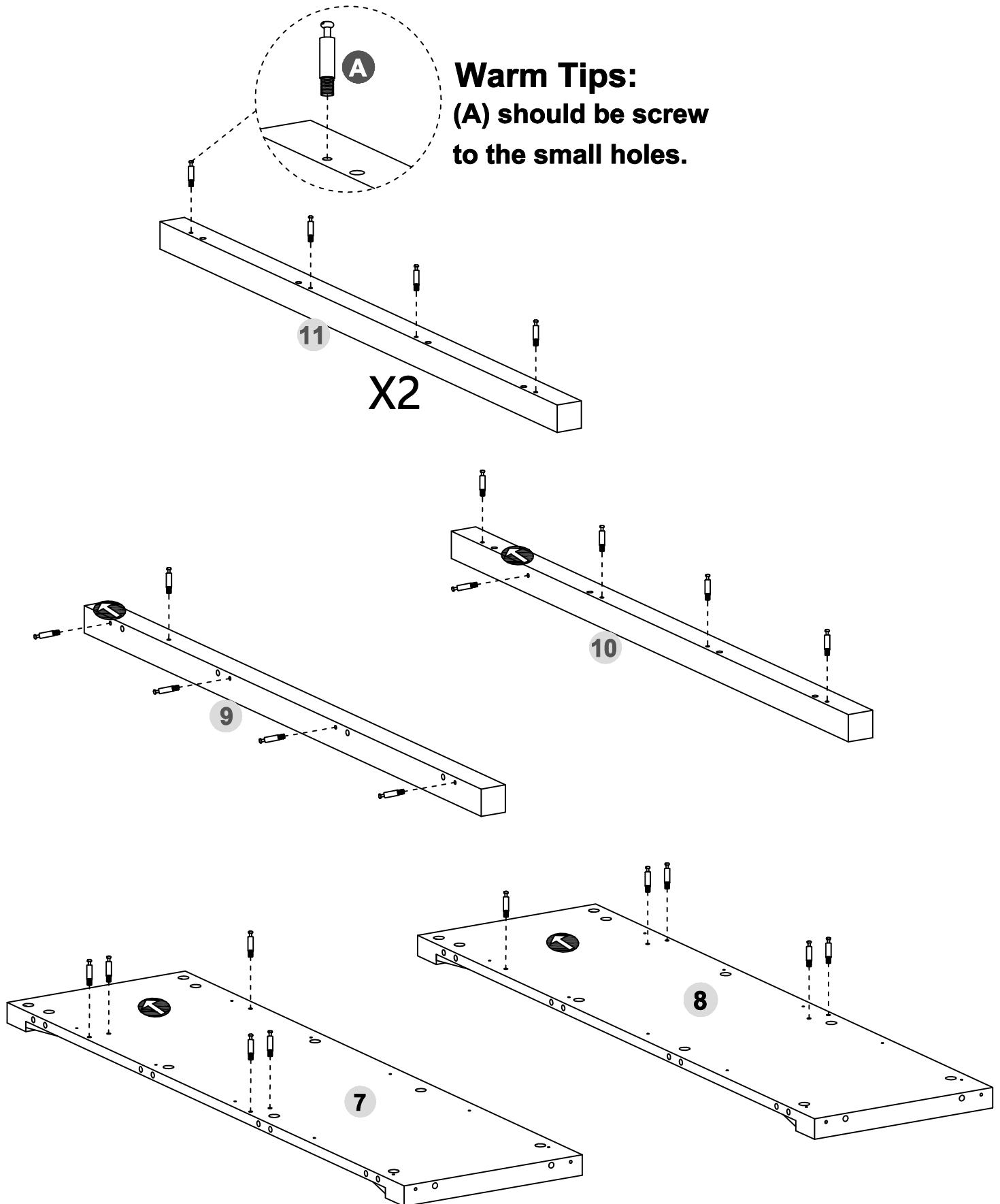
Warm Tips: Notice the difference
of front and back

STEP 6

- Screw (A) to (7) (8) (9) (10) (11) as below shown

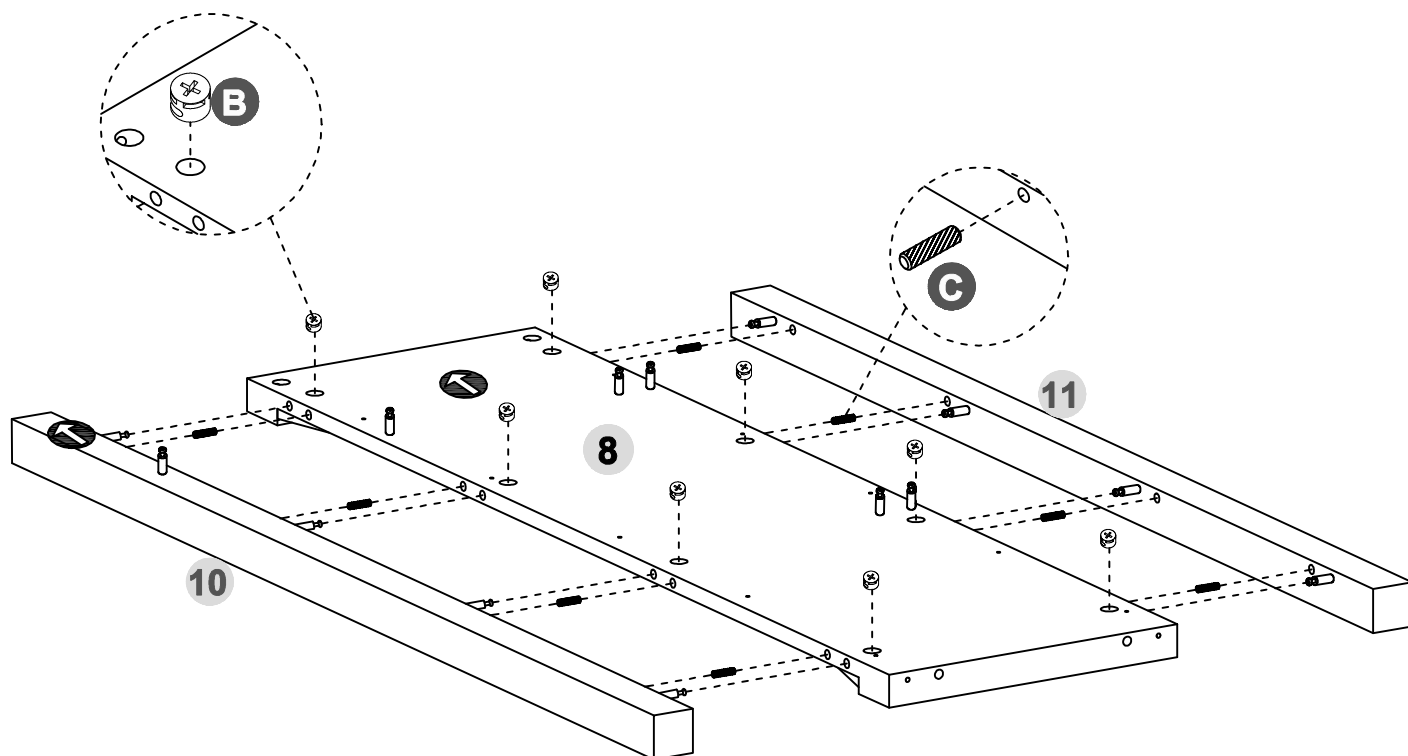
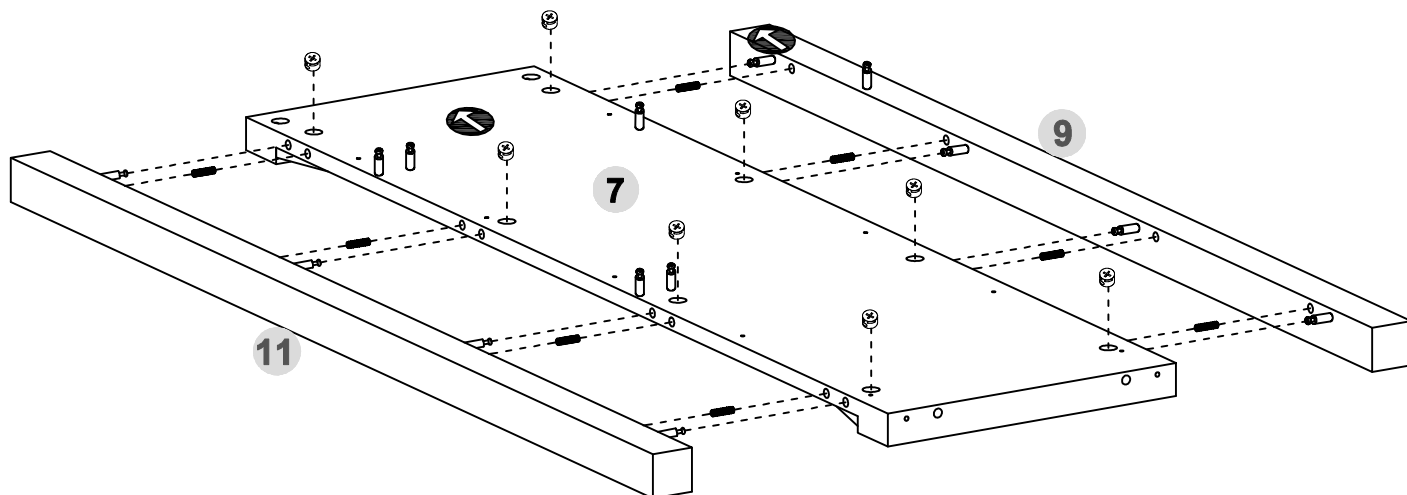
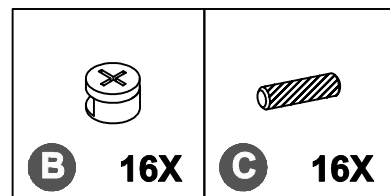


Warm Tips:
(A) should be screw
to the small holes.



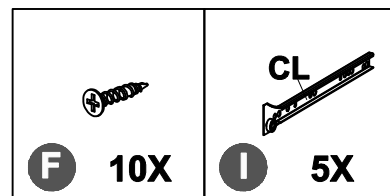
STEP 7

- Screw (C) to (7)&(8) as below shown
- Screw (B) to (7)&(9) (11) as below shown
- Screw (B) to (8)&(10) (11) as below shown



Warm Tips: Make sure the 4 large pre-drilled hole are on the upside (9)&(11) holes should be in the same side.

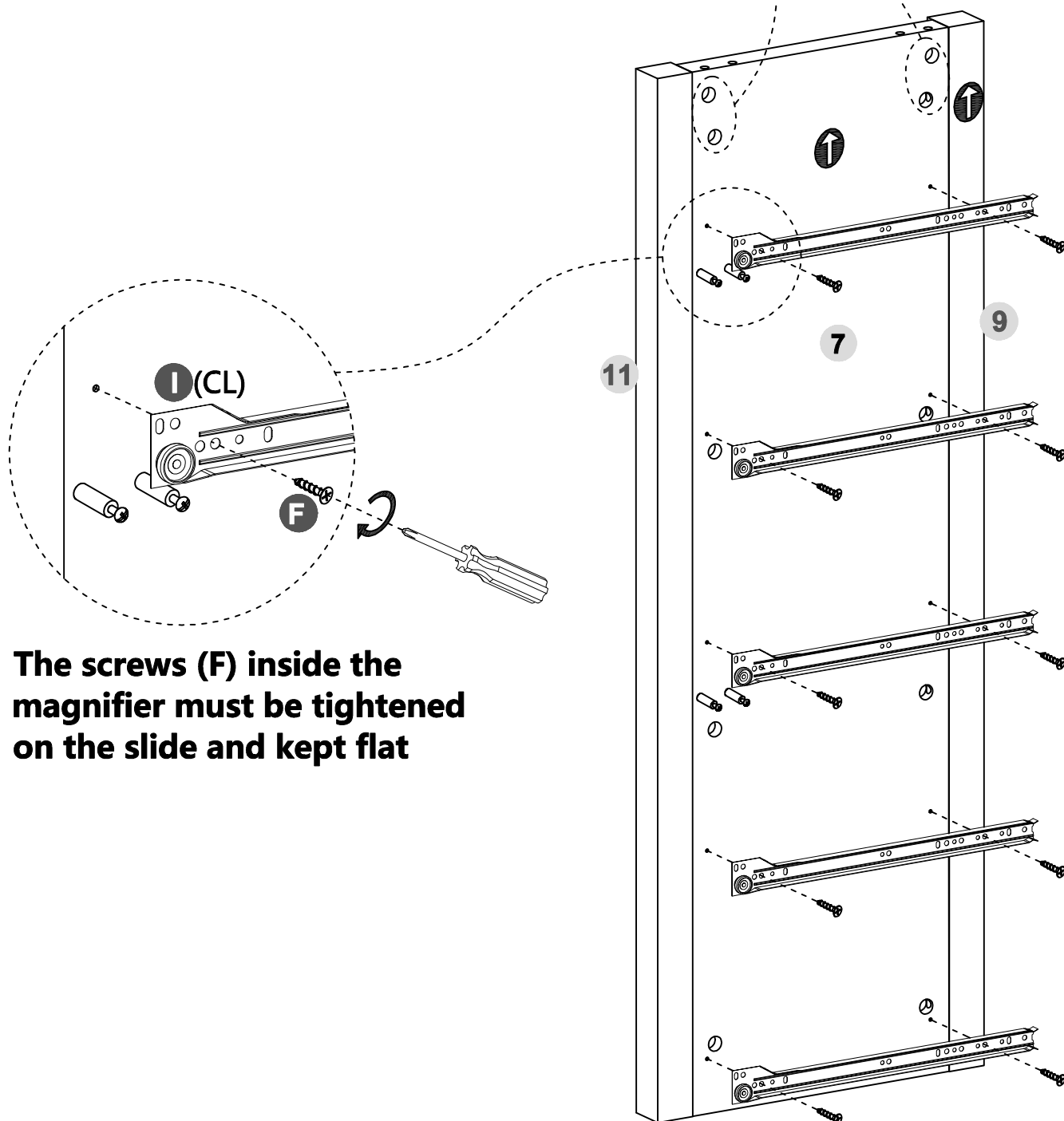
STEP 8-1



- Install the drawer slides (I) on the left side panel (7).

When building it make sure to take note of the drawer slides is the one with a flat end.

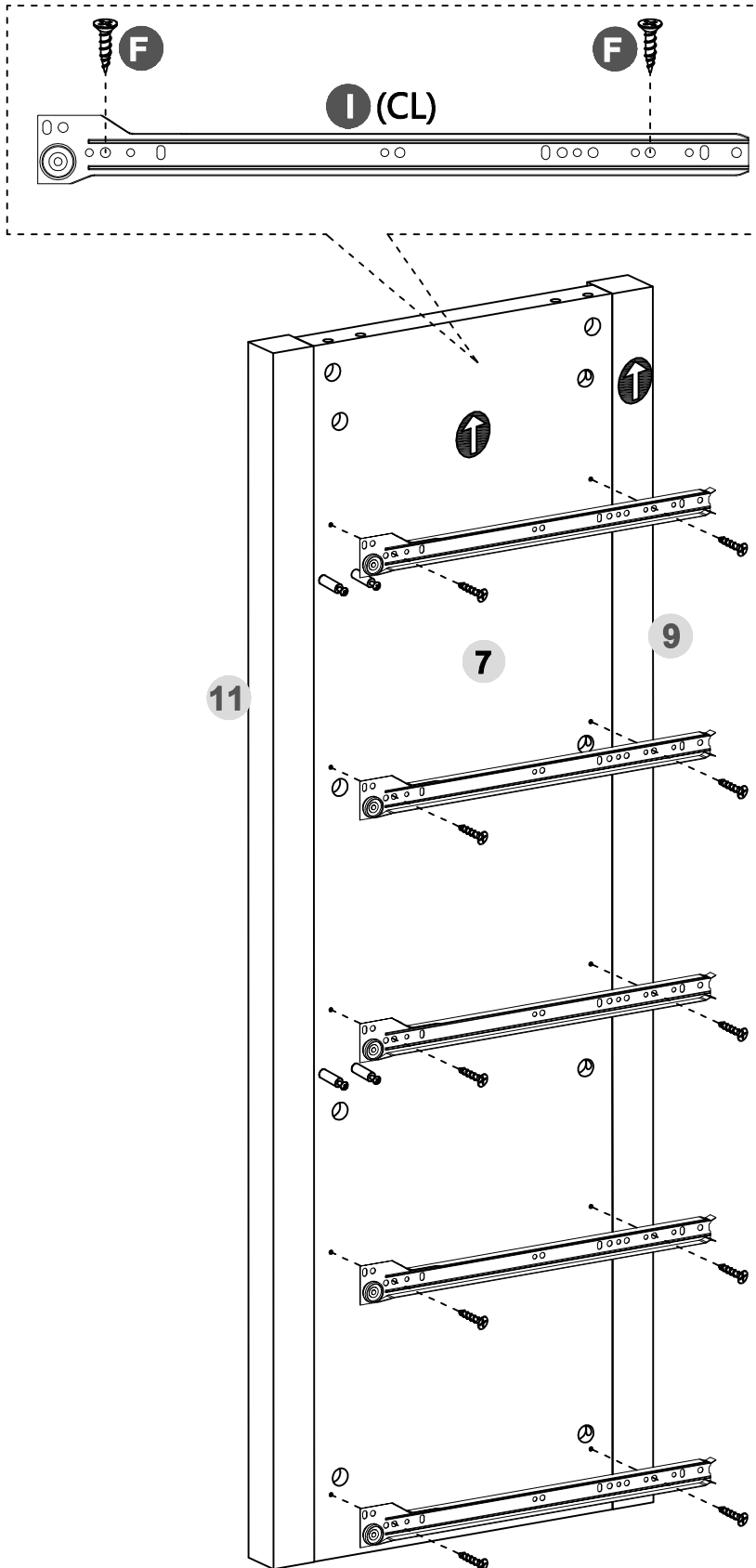
Make sure the 4 large pre-drilled hole are on the upside.



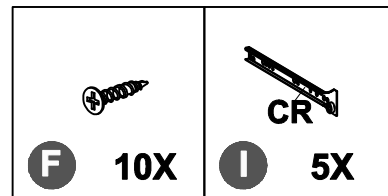
The screws (F) inside the magnifier must be tightened on the slide and kept flat

STEP 8-2

NOTE:When you screw the screws, please refer to the illustration carefully to make sure that the slide screws correspond to the position.



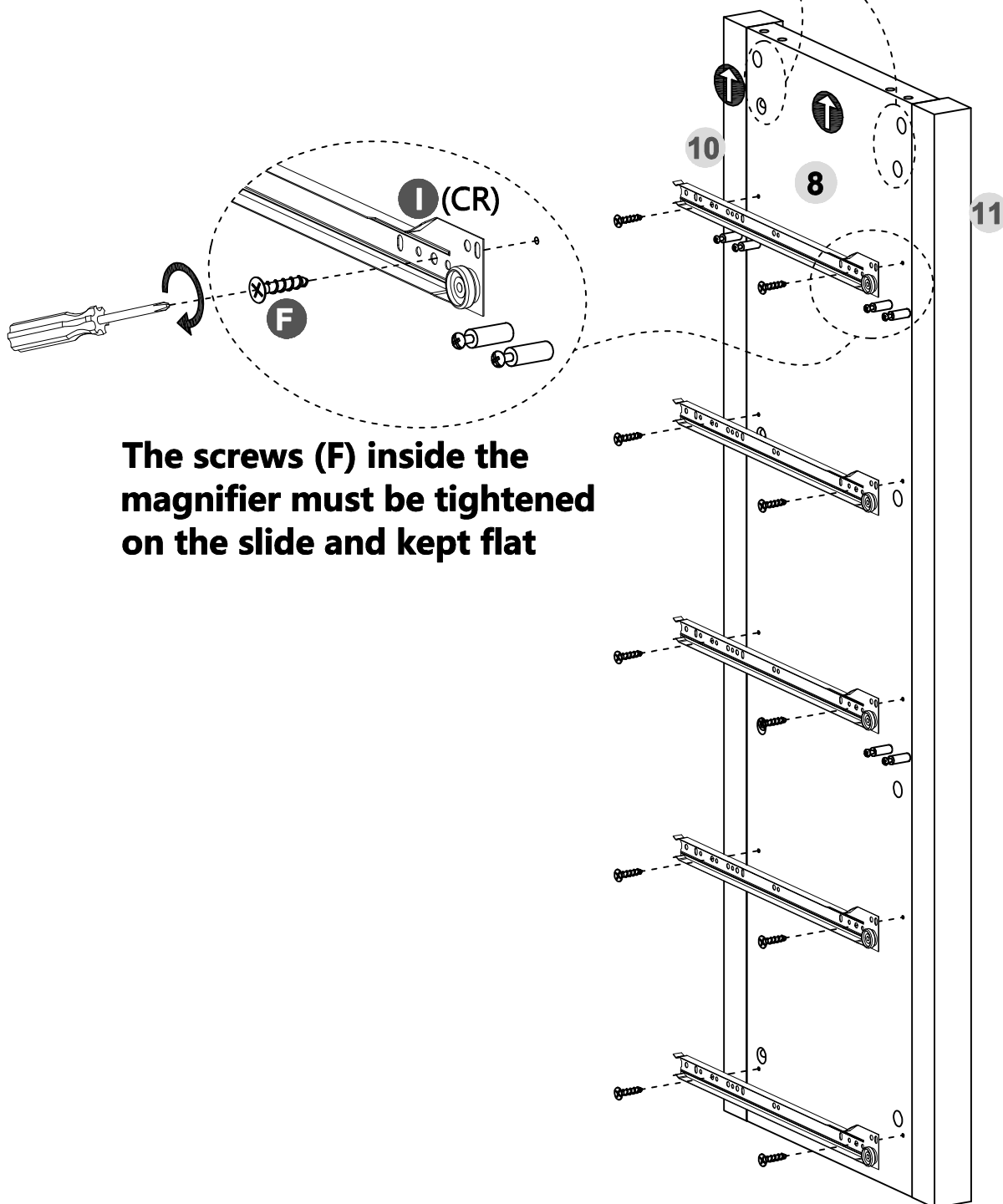
STEP 9-1



- Install the drawer slides (I) on the right side panel (8).

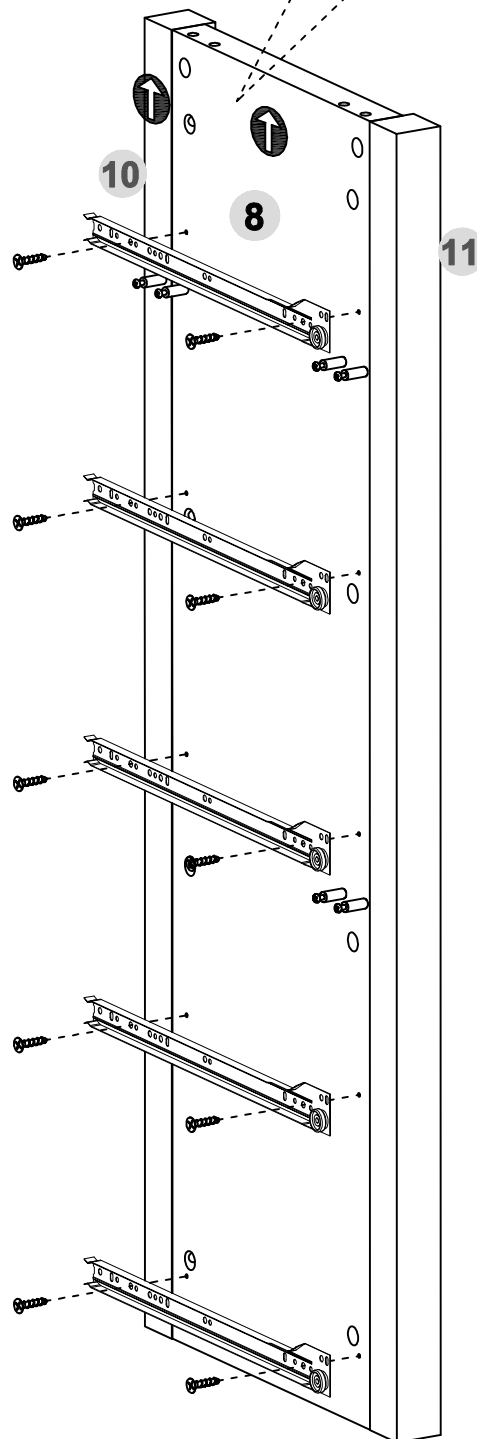
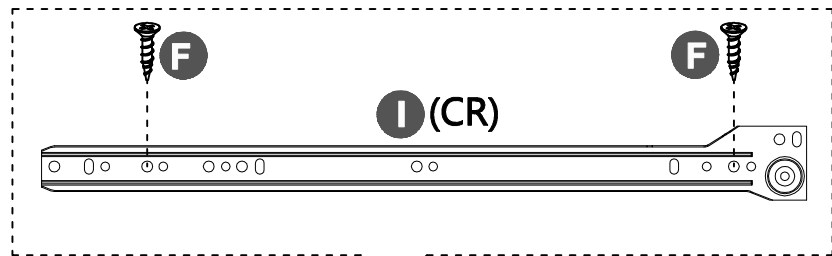
When building it make sure to take note of the drawer slides is the one with a flat end.

Make sure the 4 large pre-drilled hole are on the upside.



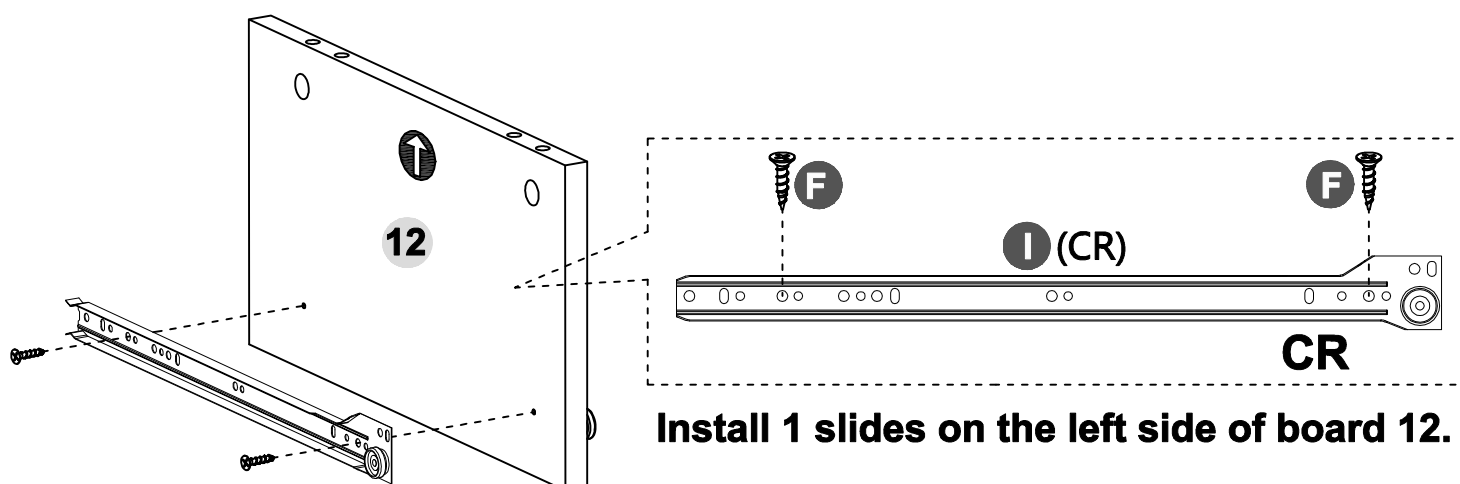
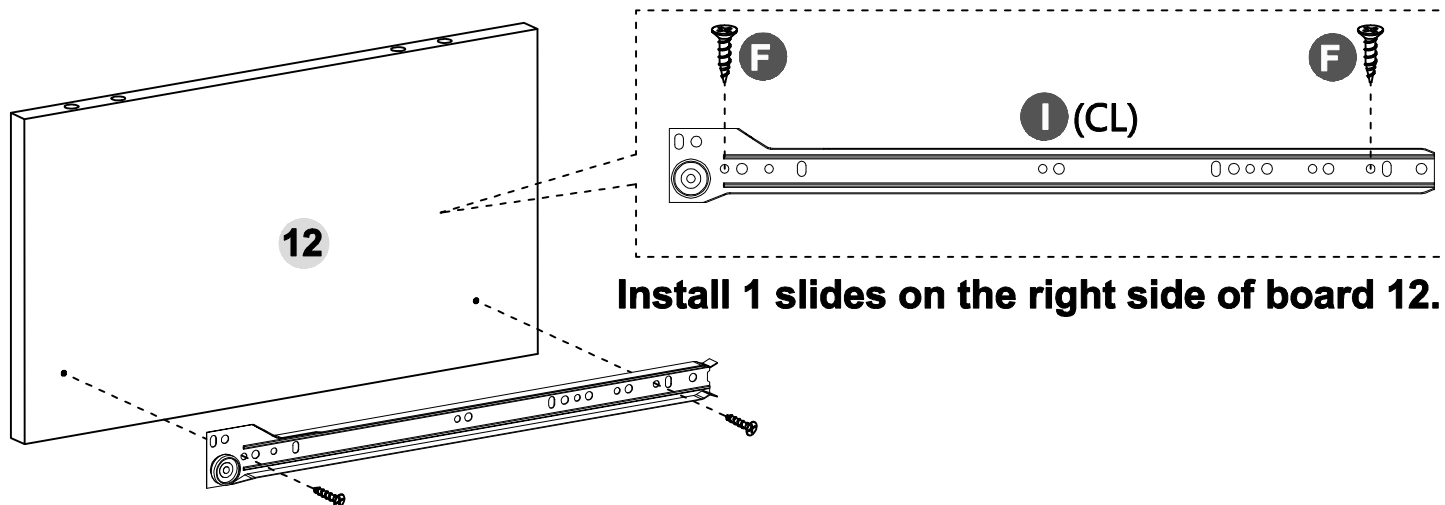
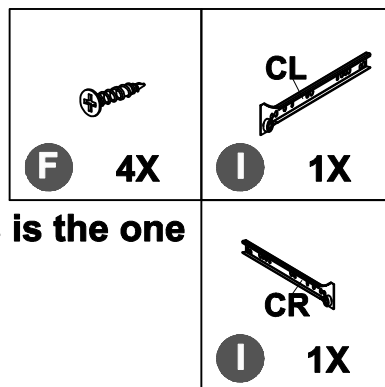
STEP 9-2

NOTE:When you screw the screws, please refer to the illustration carefully to make sure that the slide screws correspond to the position.



STEP 10

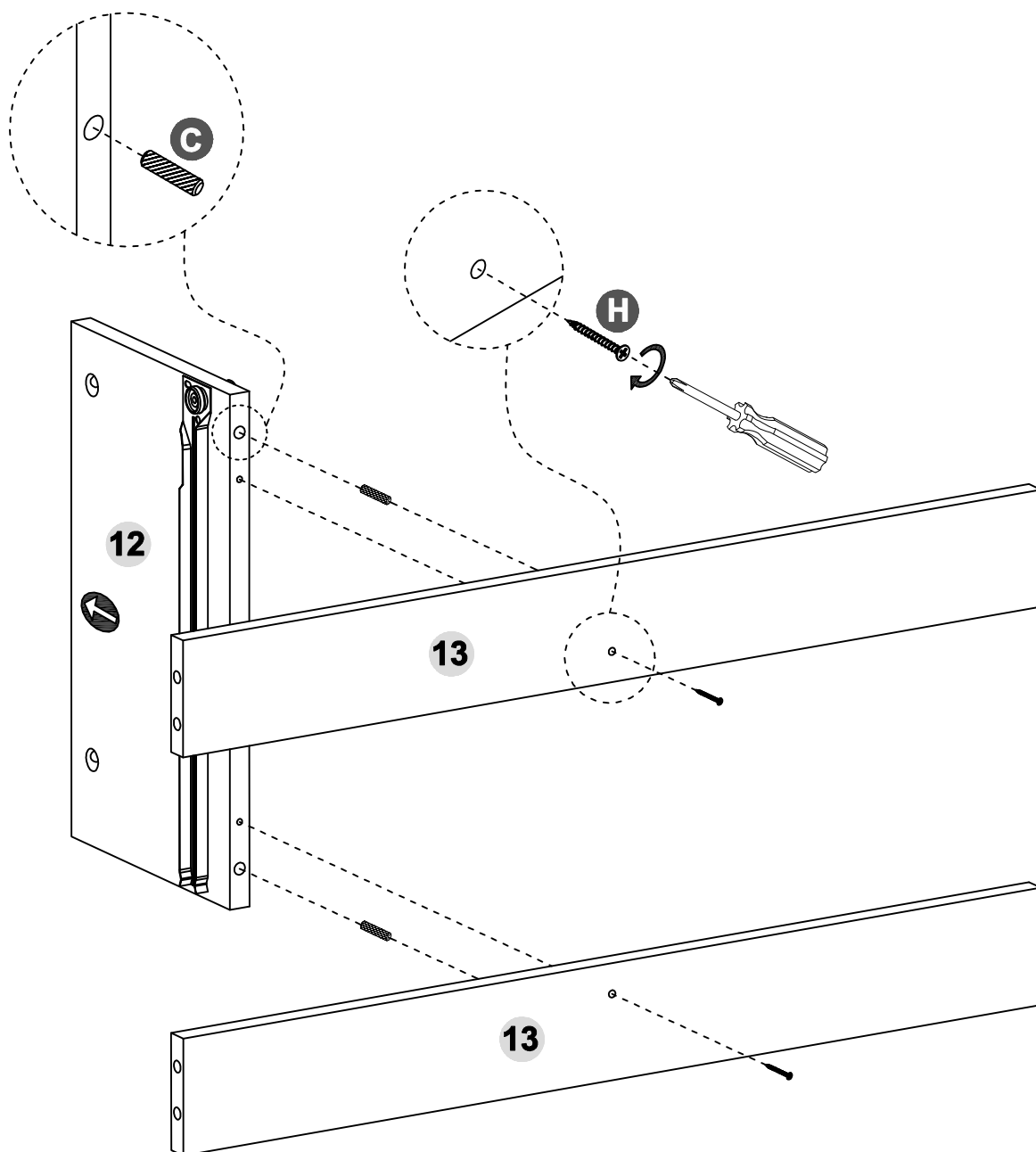
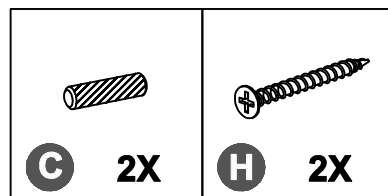
- Install 2 drawer slides (I) on the Middle panel (12).
When building it make sure to take note of the drawer slides is the one with a flat end.



NOTICE: To ensure the stability of the structure, please pay attention to the hole position when locking screws. CL slide should lock on the first hole position near the pulley, CR slide should lock on the second hole position near the pulley.

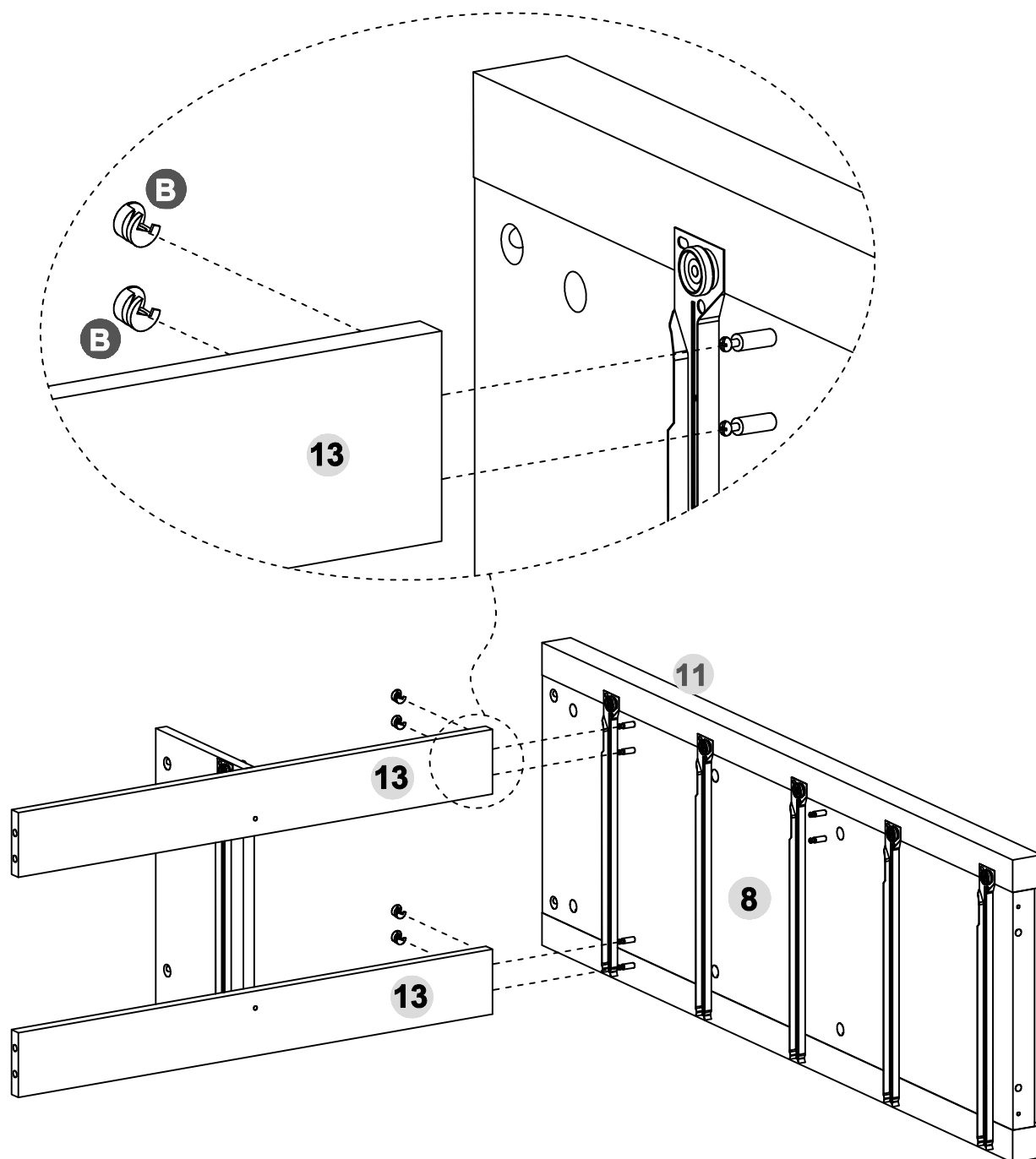
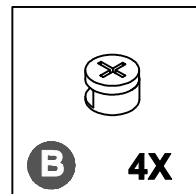
STEP 11

- Screw (C) to (12) as below shown
- Screw (H) to lock (13) to the (12) as below shown



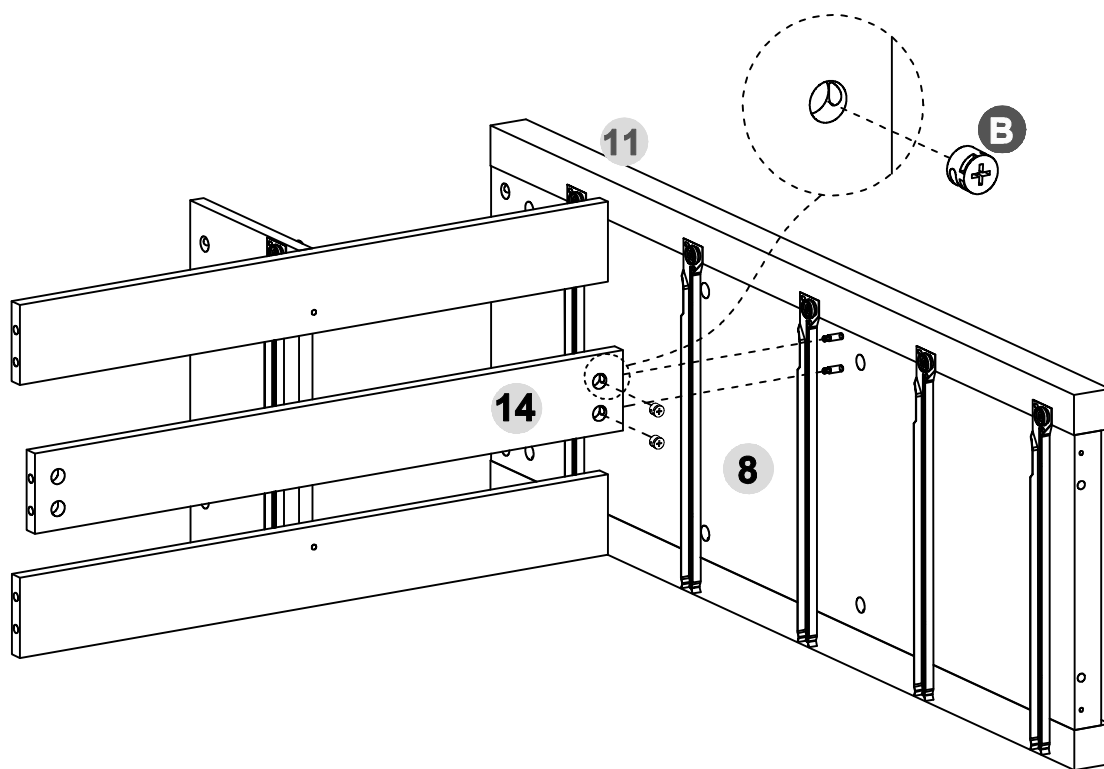
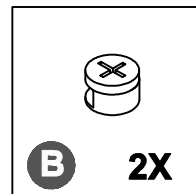
STEP 12

- Screw (B) to (13)&(8) as below shown



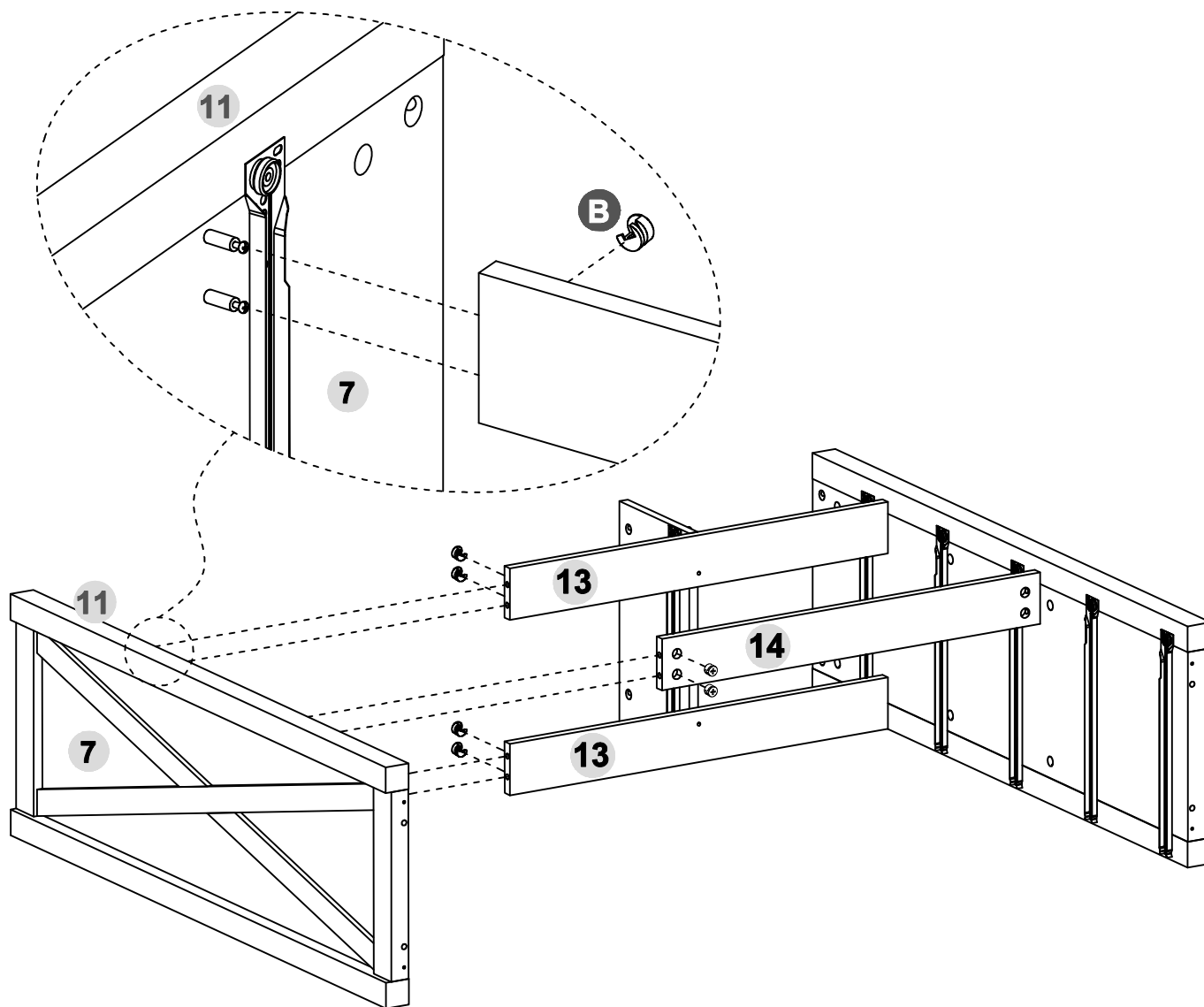
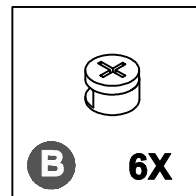
STEP 13

- Screw (B) to (14)&(8) as below shown



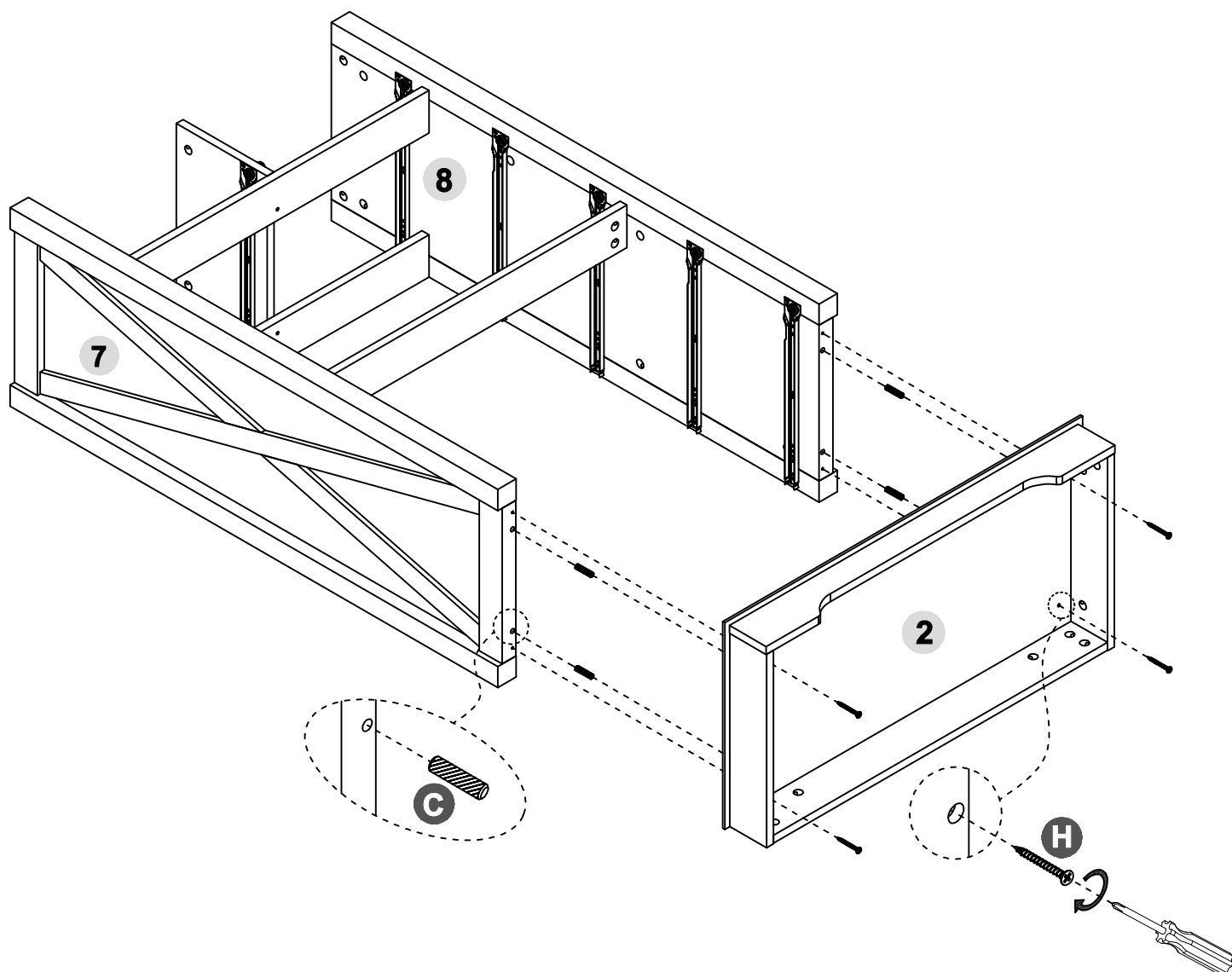
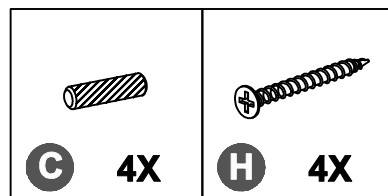
STEP 14

- Screw (B) to (13) (14)&(7) as below shown



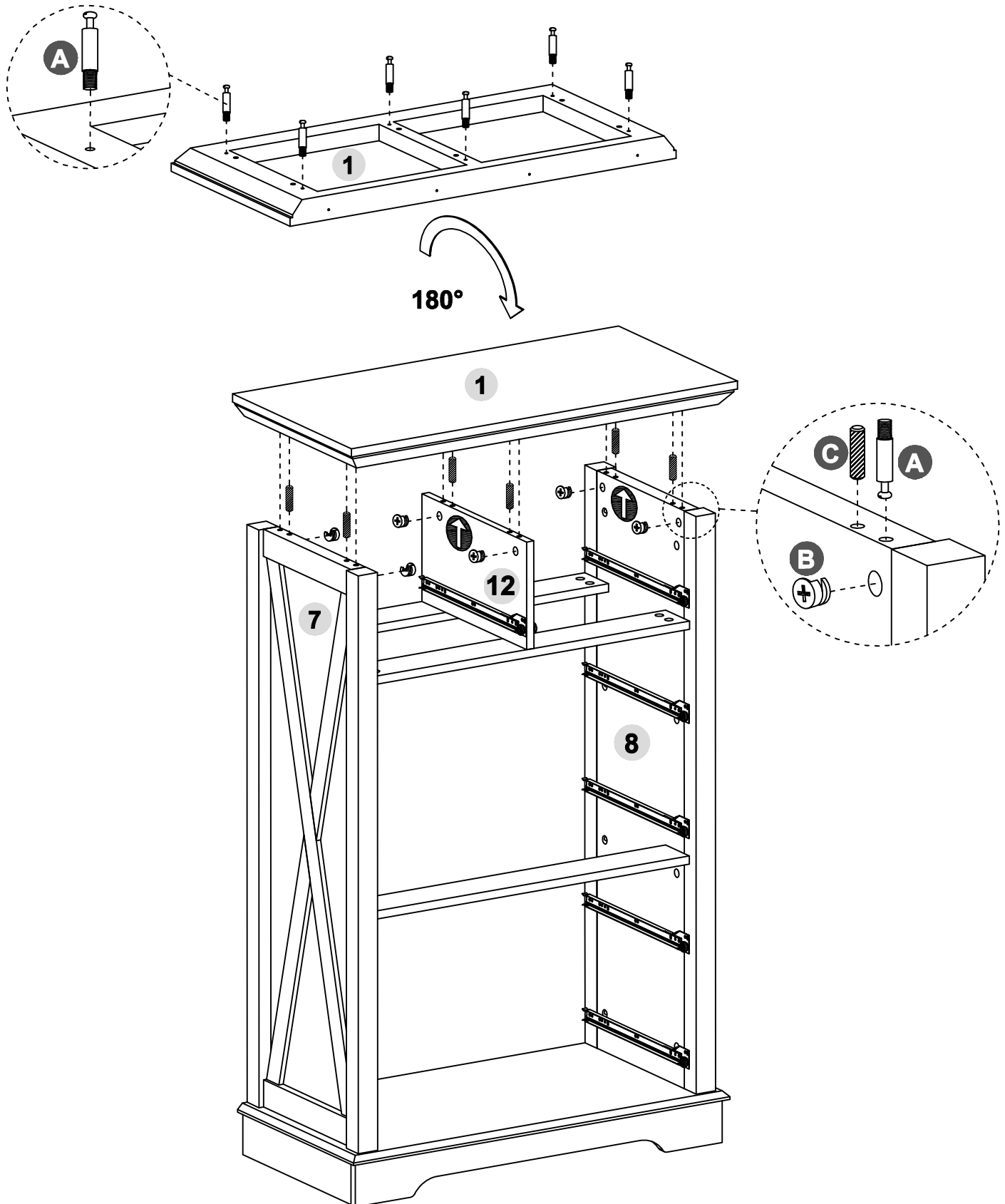
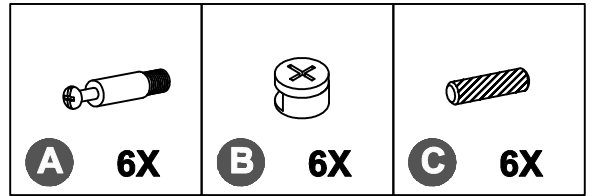
STEP 15

- Screw (C) to (7)&(8) as below shown
- Screw (H) to (2)&(7) (8) as below shown



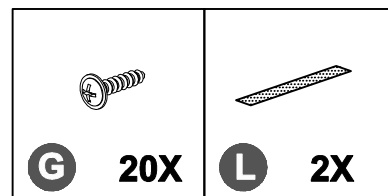
STEP 16

- Screw (A) to (1) as below shown
- Screw (C) to (7)&(8)&(12) as below shown
- Flip (1) , attach (1) to (7)&(8)&(12) as below shown
- Screw (B) to (7)&(8)&(12) as below shown



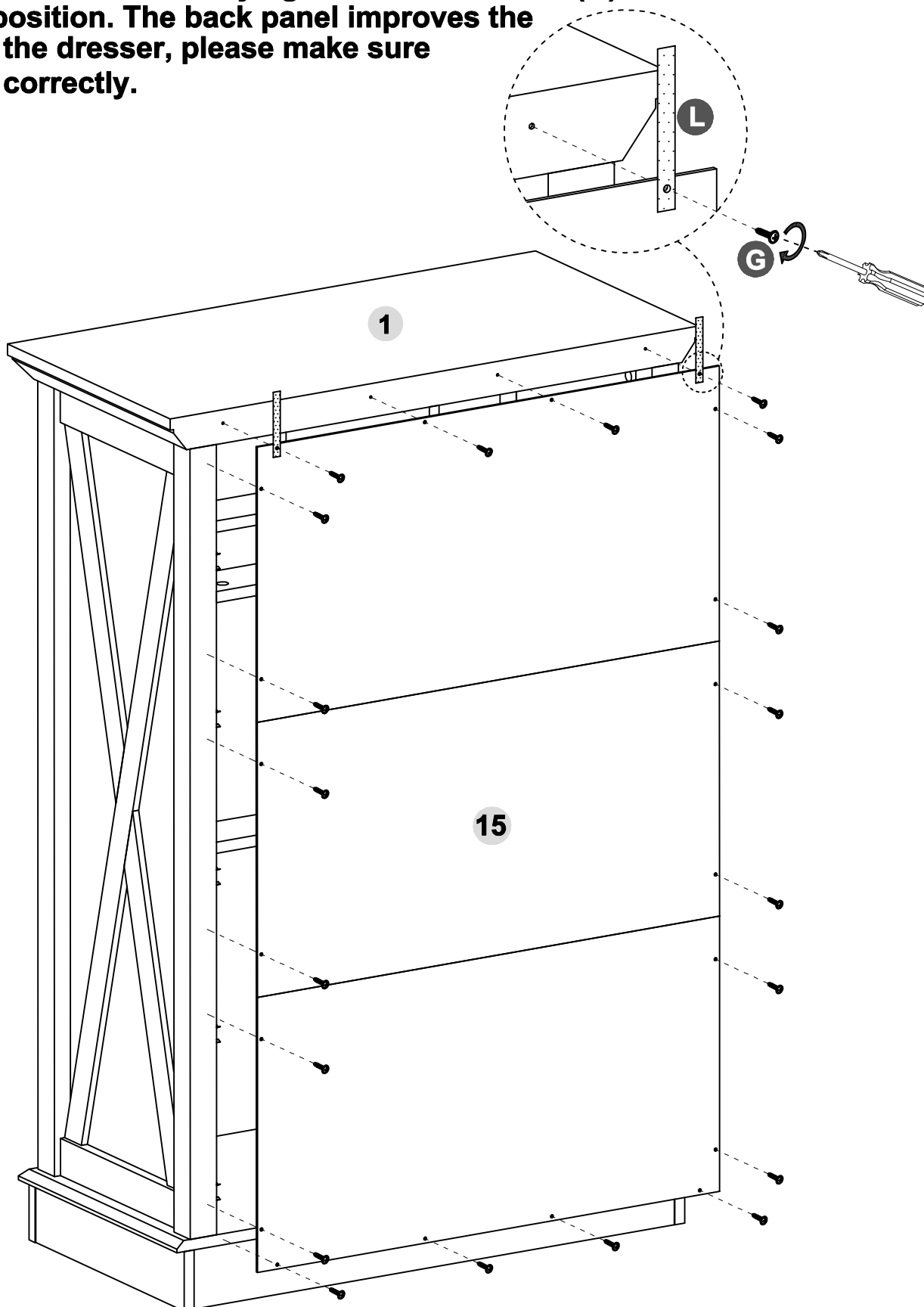
STEP 17

- Screw (G) to Back panel (15) as below shown.
- Stick (L) to (1)&(15), use (G) locked



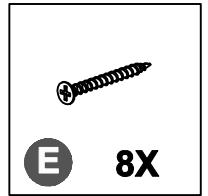
WARM TIPS :

It is recommended to attach the back panel (15) at the top panel # 1 first. Please remember not to fully tighten all the screws (G) until all of them are in correct position. The back panel improves the stability of the dresser, please make sure to install it correctly.

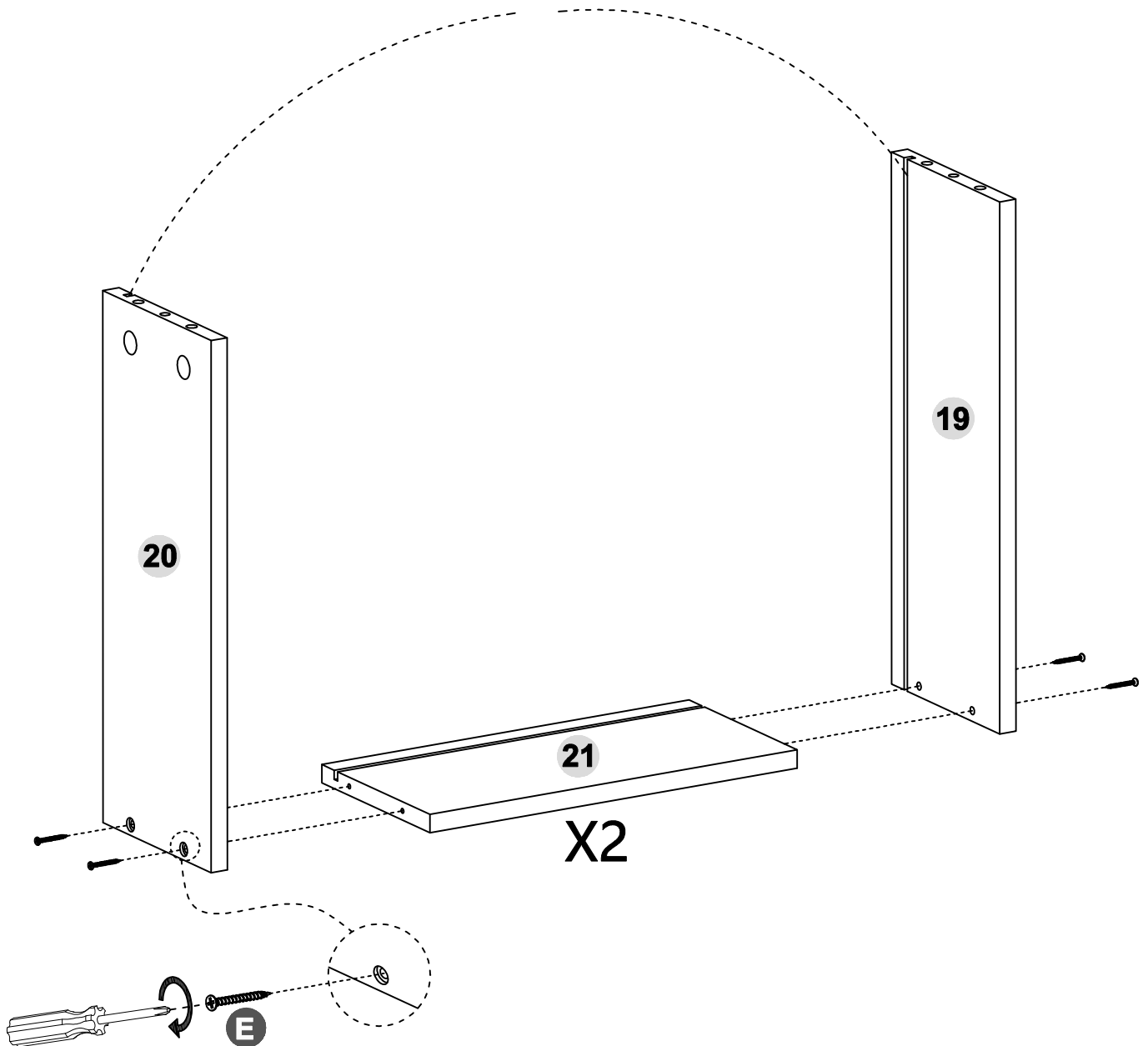


STEP 18

- Screw (E) to (21)&(19) (20) as below shown

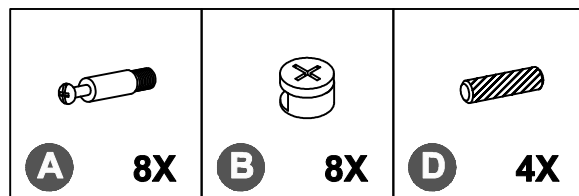


The long groove is used to install the bottom plate, make sure to take note of installing the grooves of these boards on the same side.

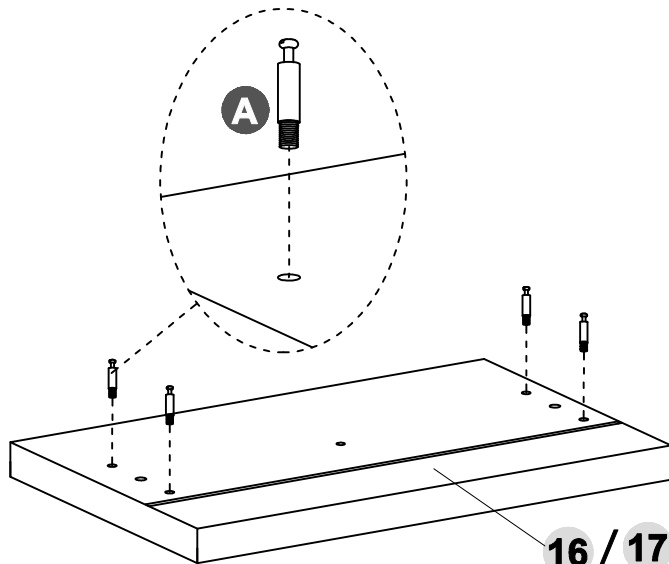


STEP 19

- Screw (A) to (16)&(17) as below shown
- Screw (D) to (19)&(20) as below shown
- Attach (22) to (19)&(20) as below shown
- Attach (19)&(20) to (16)&(17) as below shown
- Screw (B) to lock the (19)&(20) as below shown

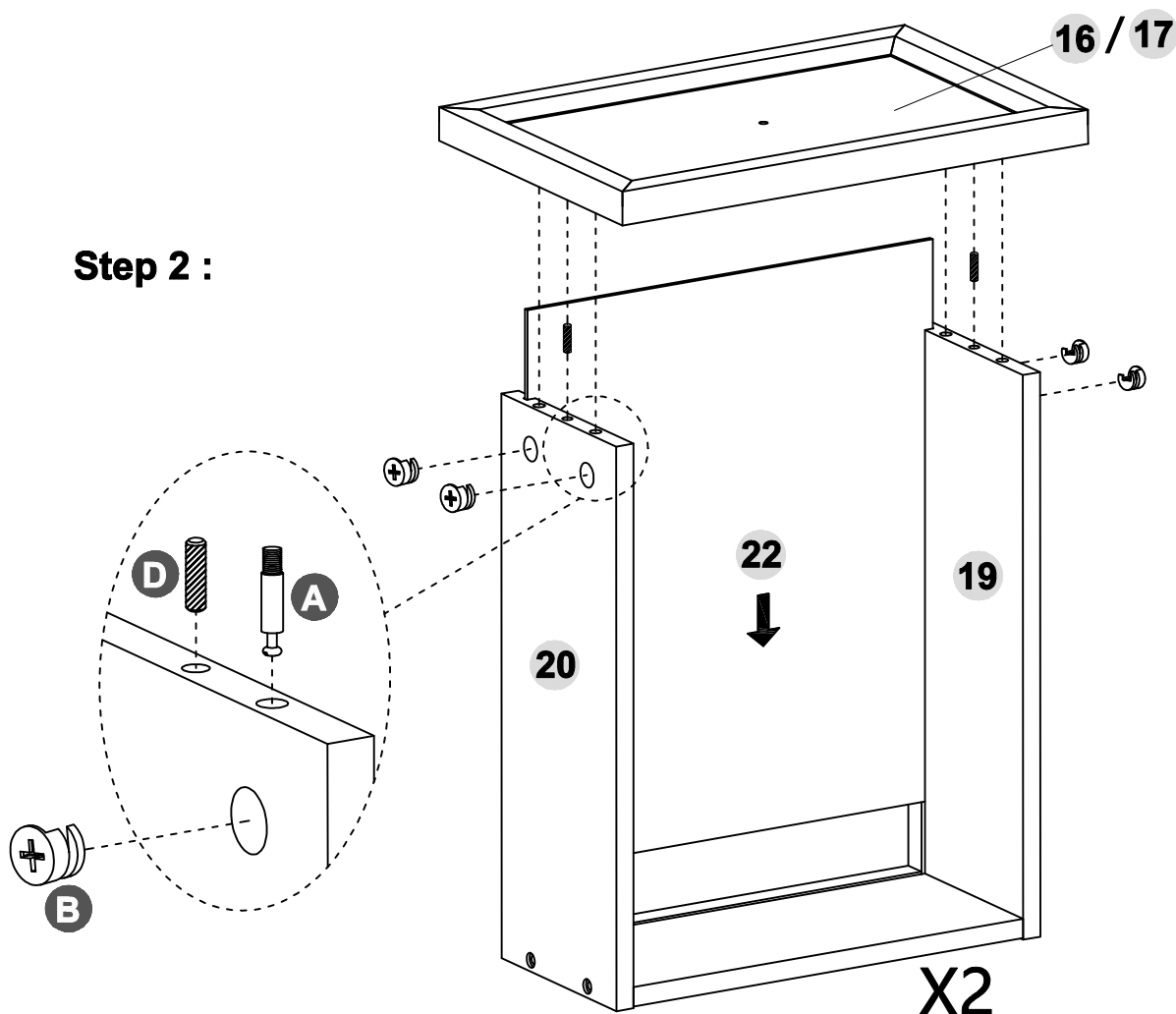


Step 1 :







X2

Step 2 :

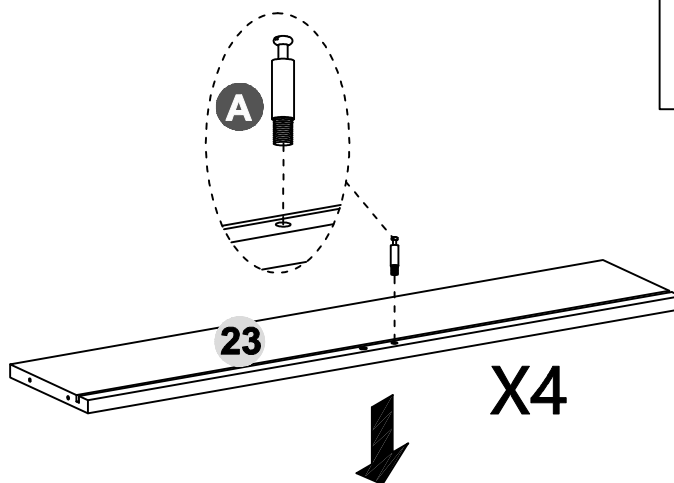


STEP 20

- Screw (A)&(D) to (23) as below shown
- Screw (E) to attach (19)&(20) to (23) as below shown
- Screw (B) to attach (25) to (23) as below shown

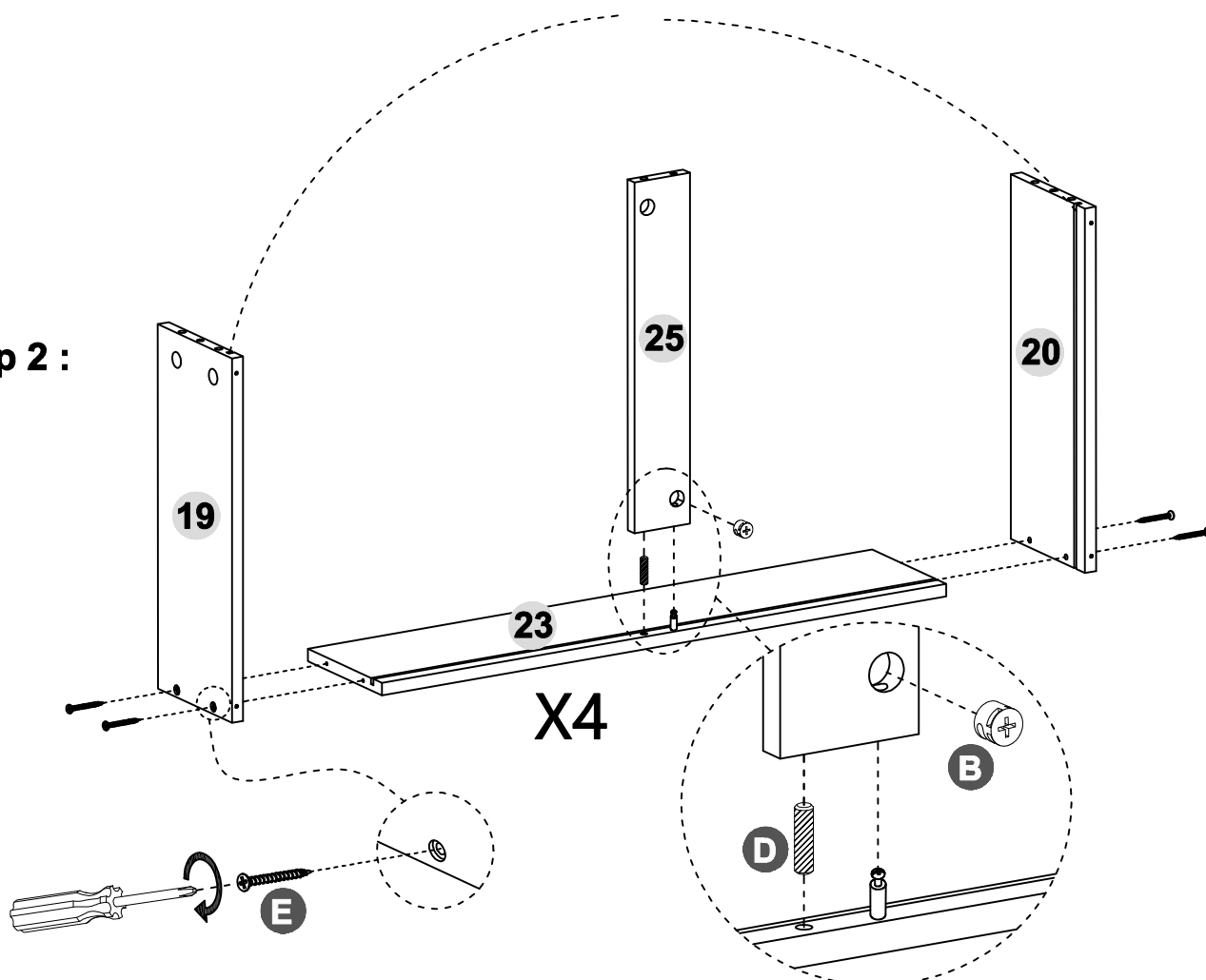
 A 4X	 B 4X
 D 4X	 E 16X

Step 1 :



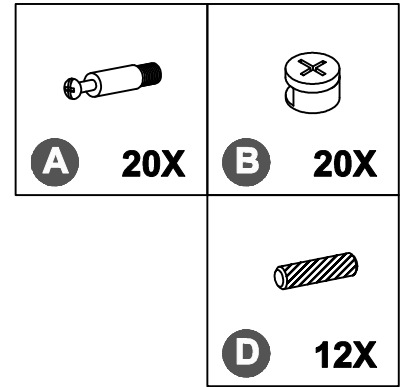
The long groove is used to install the bottom plate, make sure to take note of installing the grooves of these boards on the same side.

Step 2 :

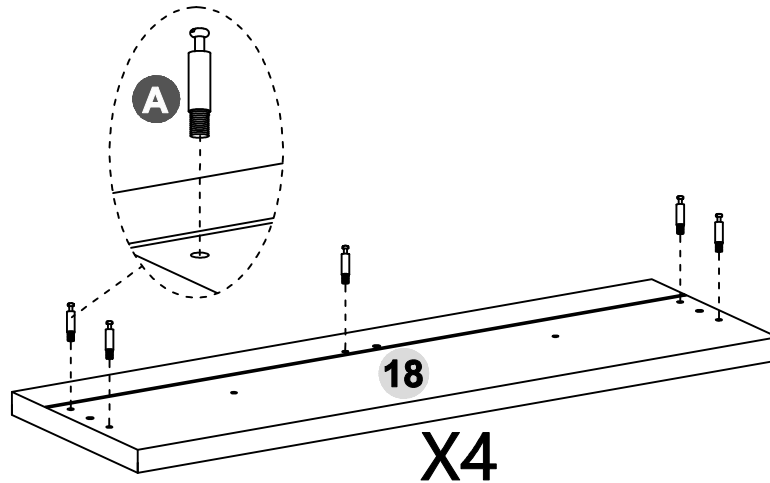


STEP 21

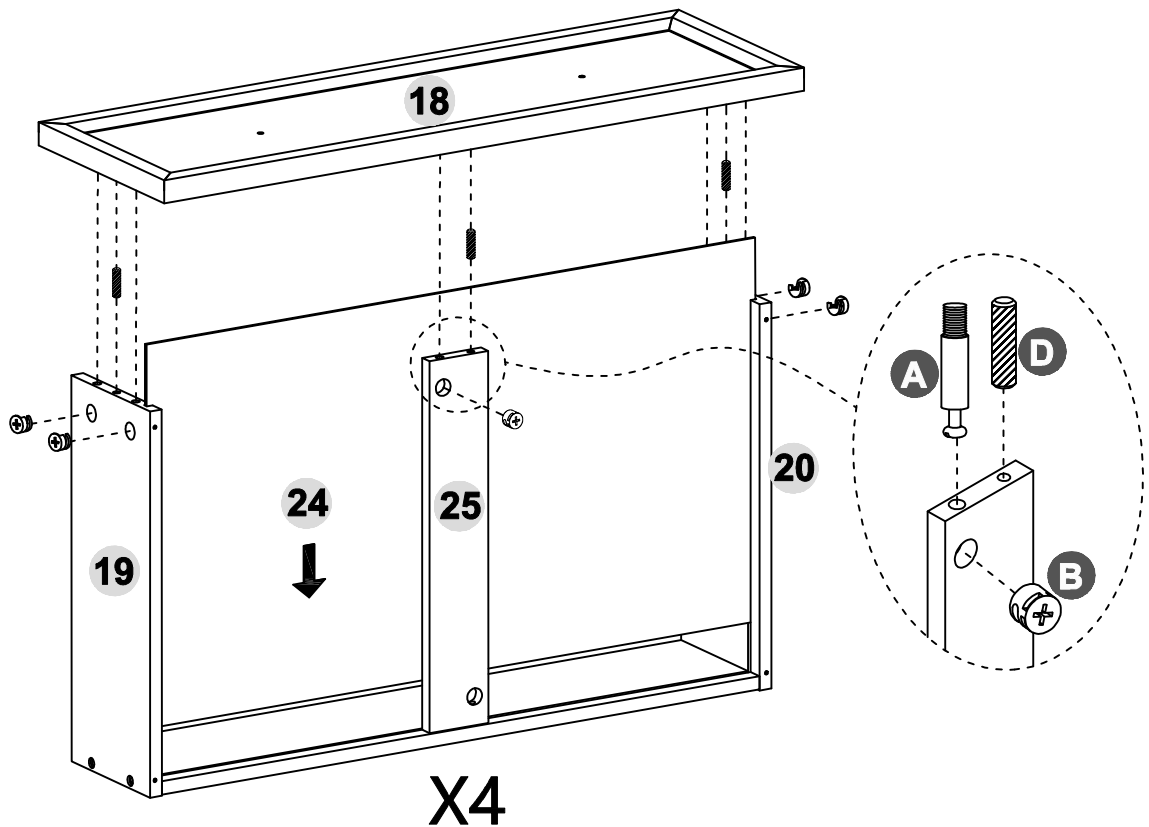
- Screw (A) to (18) as below shown
- Screw (D) to (19)&(20)&(25) as below shown
- Attach (24) to (19)&(20) as below shown
- Attach (19)&(20)&(25) to (18) as below shown
- Screw (B) to lock the (19)&(20)&(25) as below shown



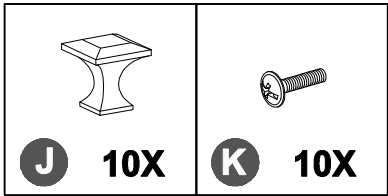
Step 1 :



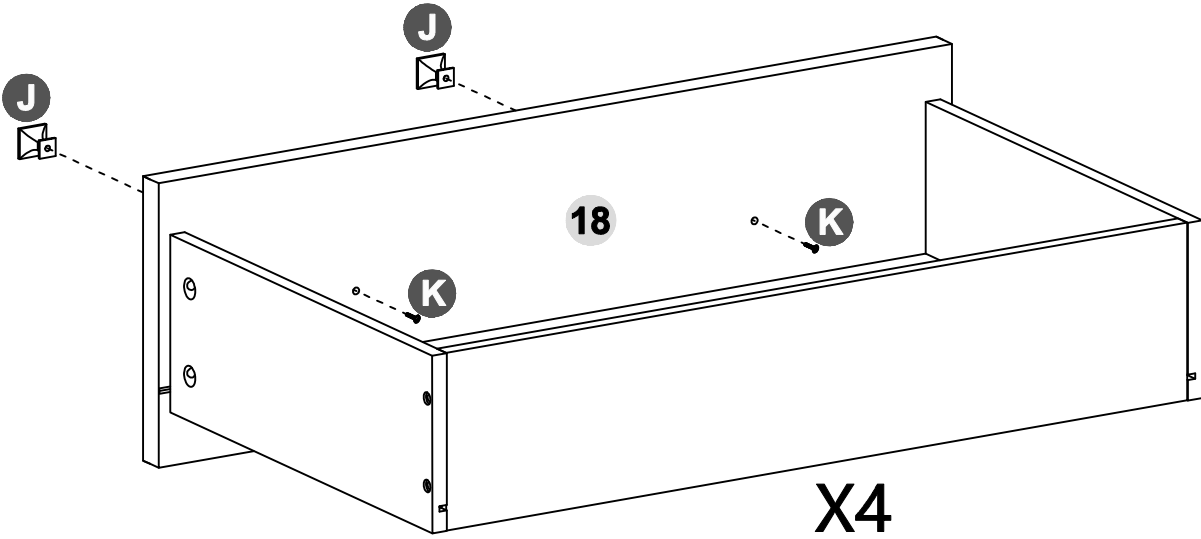
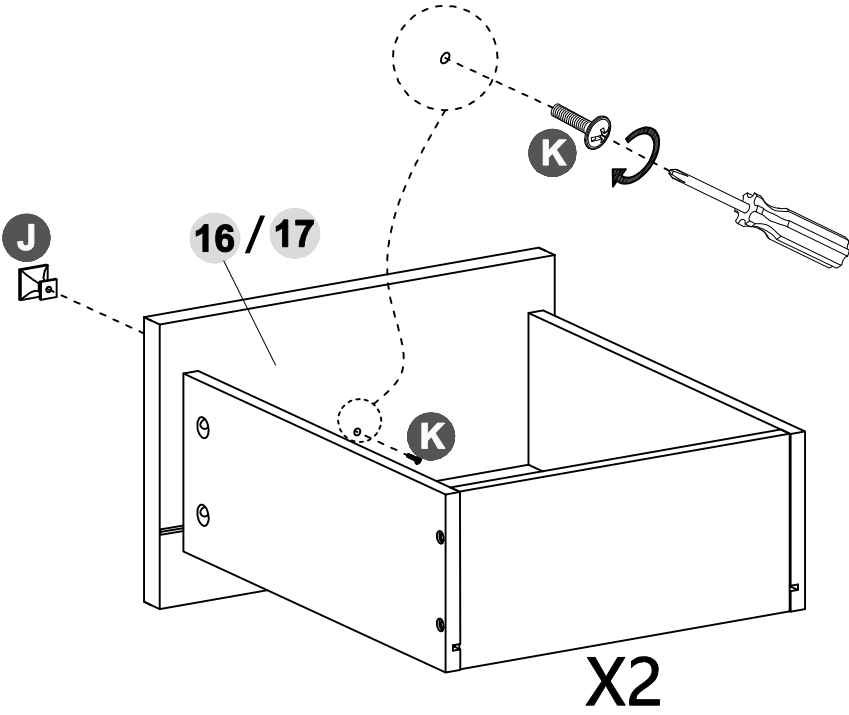
Step 2 :



STEP 22

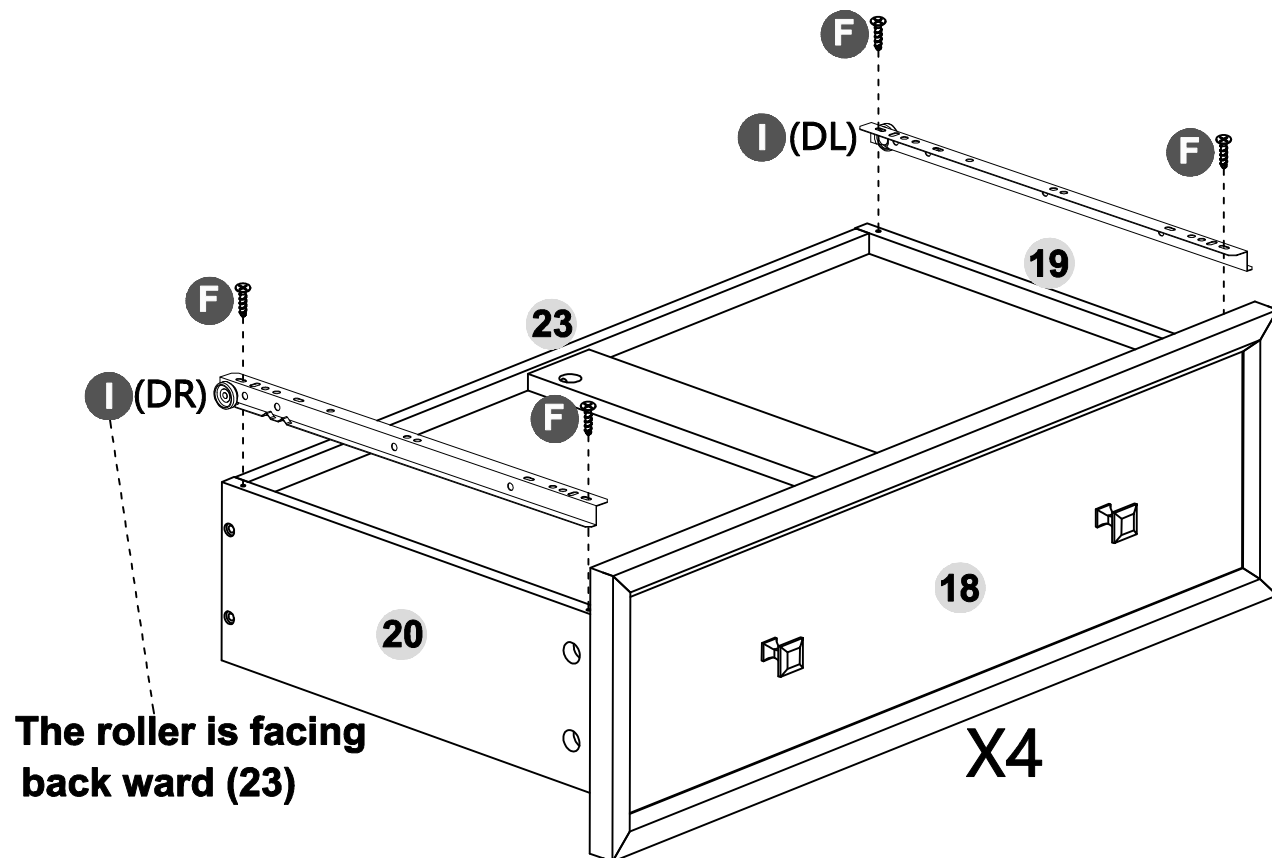
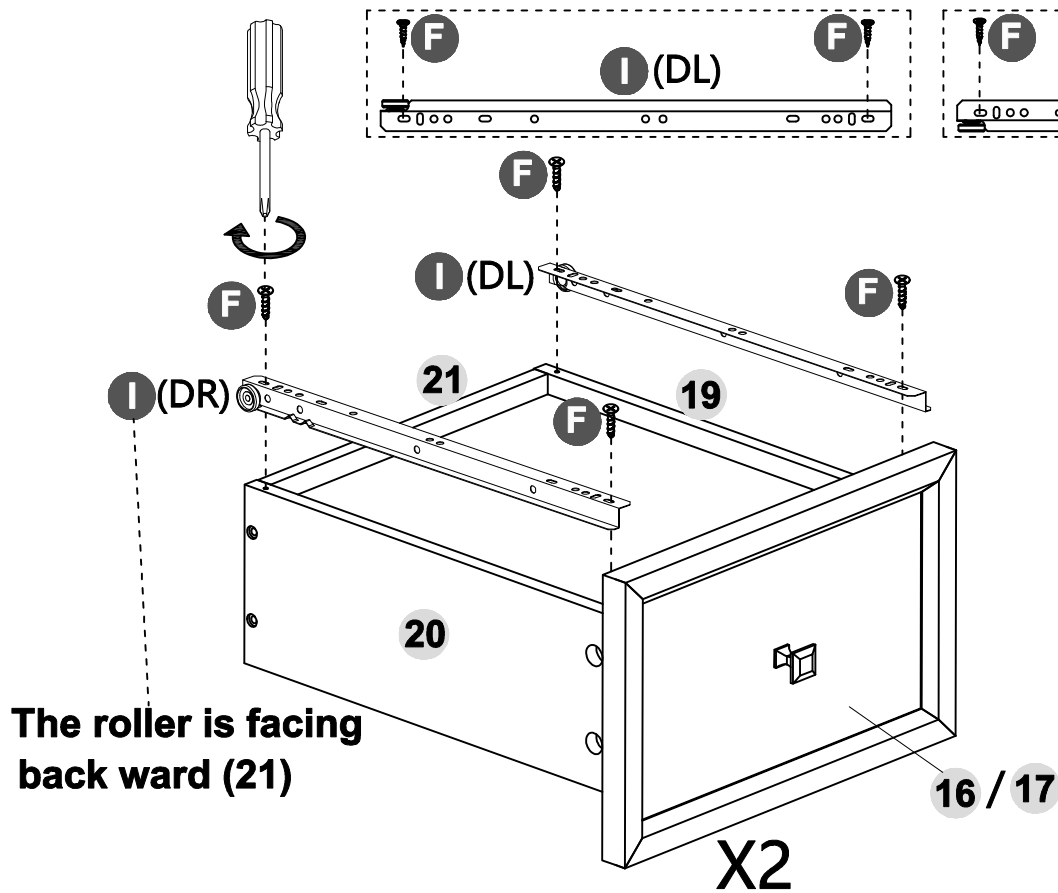
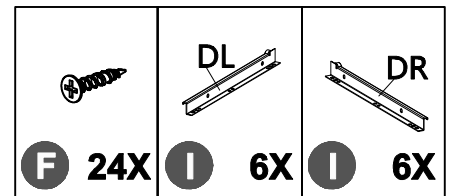


- Screw (K) to lock (J) to the (16)&(17)&(18) as below shown



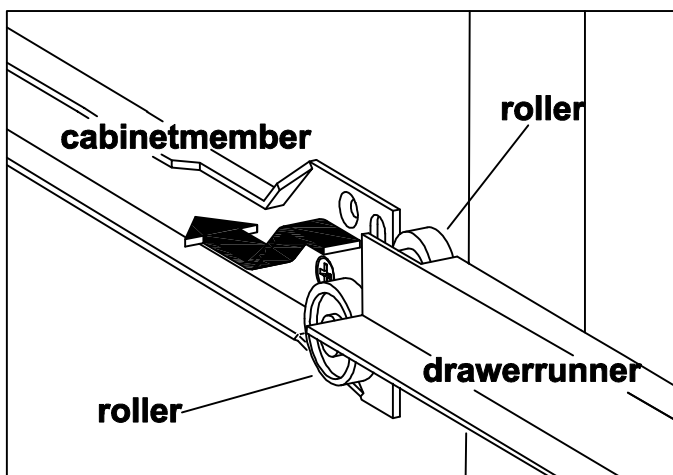
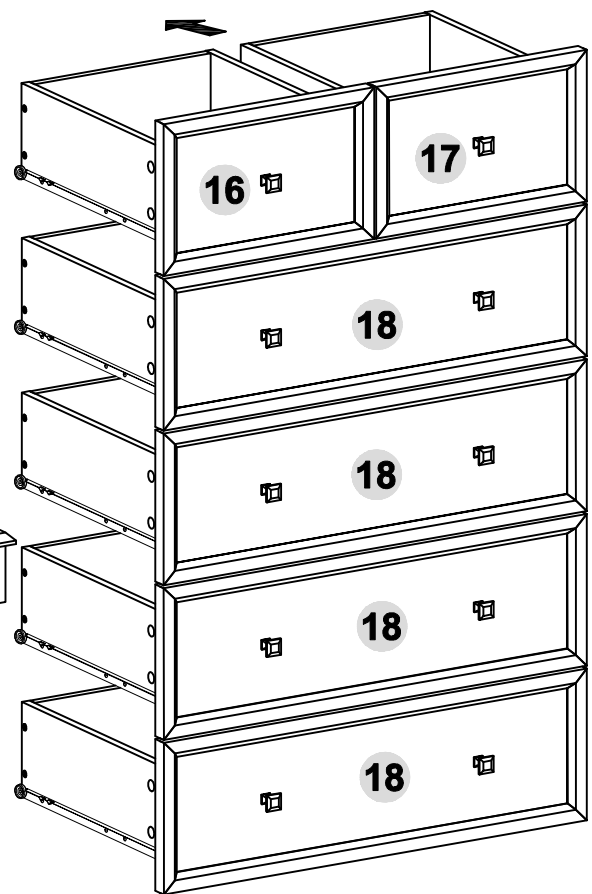
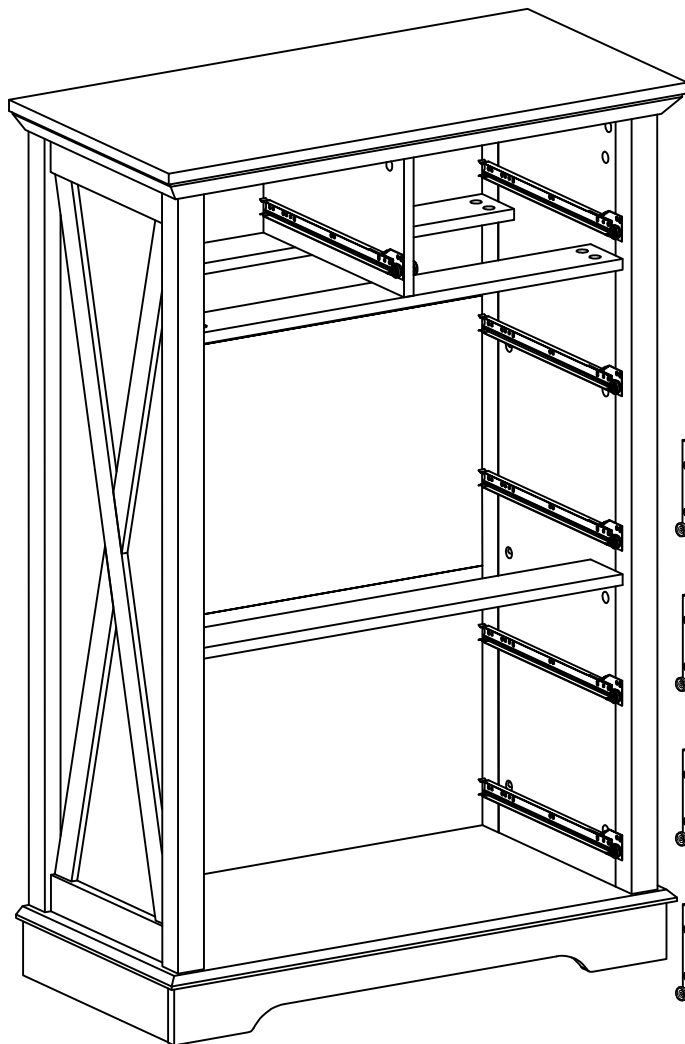
STEP 23

- Screw (F) to lock (I) to the (19)&(20) as below shown



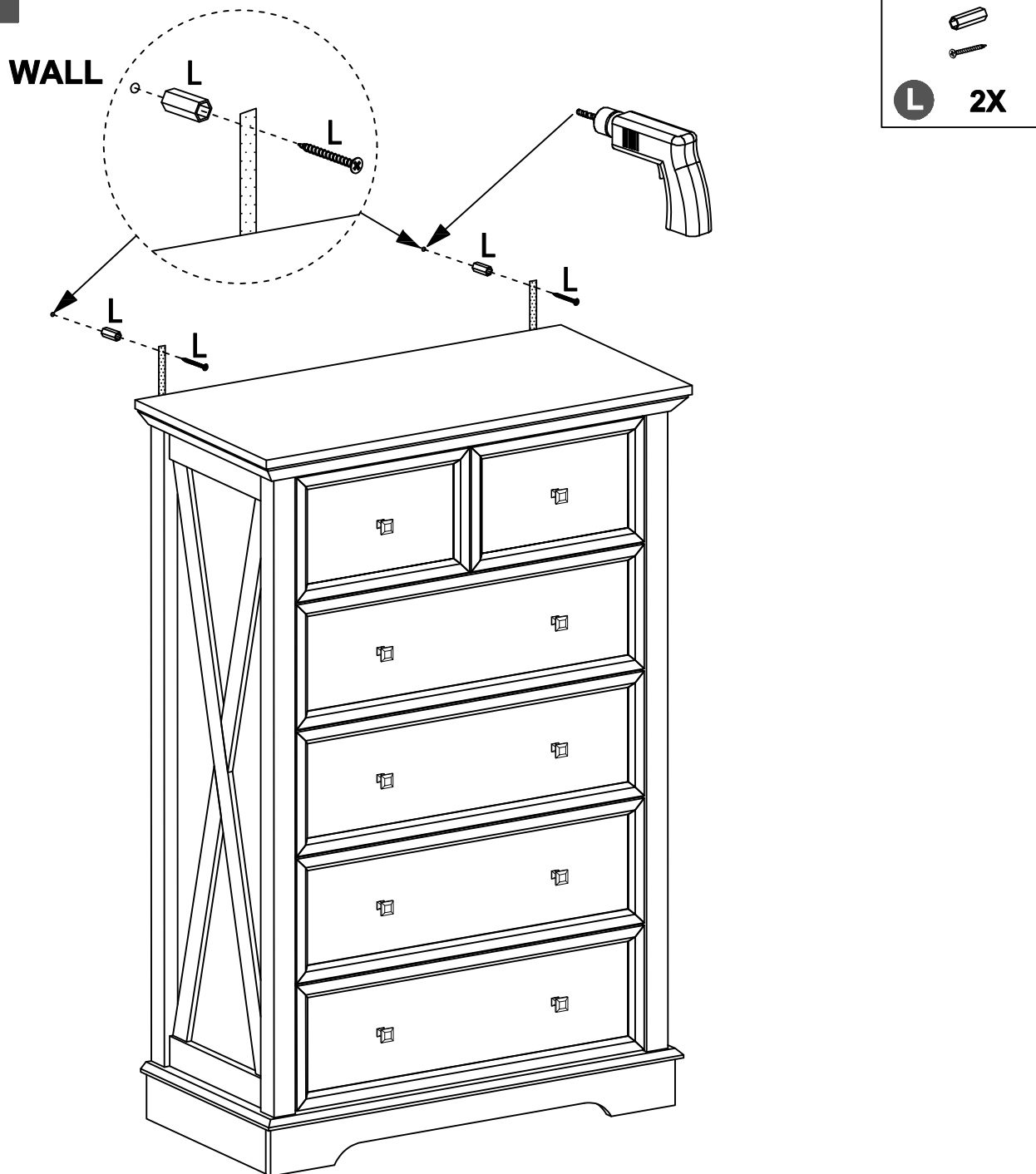
Repeat the previous step to install the remaining drawers

STEP 24



When you put the drawer, please note that the drawer wheels on top of the wheels of the slide, then check whether the drawer is smooth when pulled out. Otherwise, the drawer will not be aligned with other drawers.

STEP 25



Tools required (not included): screwdriver, stud finder, tape measure, pencil, power drill and 3/16" drill bit.

Now, follow the guide printed on the plastic bag containing the tipping restraint hardware to attach the tip-over restraints to the unit and the wall.

NOTE: The tipping restraint hardware included is for wooden stud wall construction. it must be attached to a wall stud. depending upon your wall construction, different anchor hardware maybe required. please contact your local hardware store for assistance. young children can be seriously injured by tipping furniture. you must install the tipping restraint hardware with the unit to prevent the unit from tipping, causing any accidents or damage. the tipping restraints are intended only as a deterrent, they are not a substitute for proper adult supervision. the tipping restraints are not earthquake restraints. if you wish to add the extra security of earthquake restraints, they must be purchased and installed separately.

STEP 26

Finally, you got a 6-drawer dresser!

