


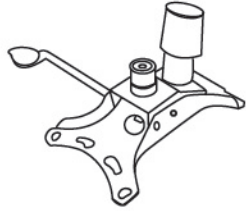
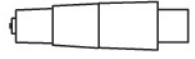





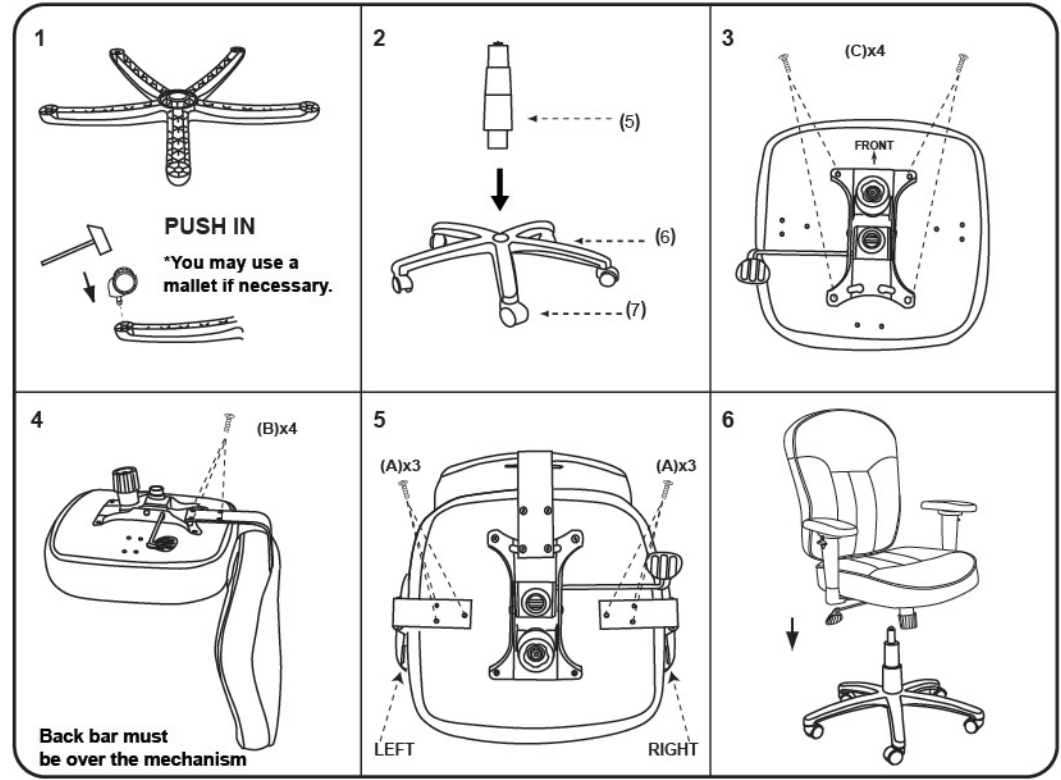


**IMPORTANT NOTICE:
HARDWARE PACKAGE IS ATTACHED
ON THE BOTTOM OF SEAT CUSHION.**

(1)x1	(2)x1	(3)x1 (L)x1 (R)
		
Back	Seat	ARM
(4)x1	(5)x1	(6)x1
		
Mechanism	Gas Lift	Base
(7)x5		
	<p>(A)x6  M6*30 ARM SCREW</p> <p>(B)x4  M8*30 L-BAR SCREW</p> <p>(C)x4  M8*22 MECHANISM SCREW</p>	
Casters		



Insert and loosely tighten all screws. When assembly is completed, fully tighten all screws before using. This chair is only intended for sitting. Any other use will void the warranty.