



# WOODLAND Wooden Swing Set

Model # 6014

Owner's Manual & Assembly Instructions

MANUFACTURED BY:  
Backyard Discovery  
3305 Airport Drive  
Pittsburg, KS 66762  
800-856-4445



**INSTALLATION SERVICES AVAILABLE!\***

*Need a helping hand?*

Let our team of professionals handle the installation for you!

**GOCONFIGURE**  
888-888-5424

\*Installation services are only available to U.S. customers.

average 2 person assembly time

INTERMEDIATE  
**10**  
HOURS

assembly time may vary based on skill level

Before you begin

**FOR QUICK & EASY ASSEMBLY**

FIND 3D INSTRUCTIONS FOR THIS PRODUCT IN

**BILT.**

DOWNLOAD THE FREE APP



For the most up to date assembly manual, to register your set, or to order replacement parts please visit

**[www.backyarddiscovery.com](http://www.backyarddiscovery.com)**

**SAVE THIS ASSEMBLY MANUAL FOR FUTURE REFERENCE IN THE EVENT THAT YOU NEED TO ORDER REPLACEMENT PARTS.**

Para obtener instrucciones en español, visite [www.backyarddiscovery.com](http://www.backyarddiscovery.com)



## PLEASE READ THIS BEFORE STARTING ASSEMBLY

- READ THE ASSEMBLY MANUAL COMPLETELY, PAYING SPECIAL ATTENTION TO THE IMPORTANT TIPS AND SAFETY INFORMATION.
- AFTER YOU HAVE READ THE ASSEMBLY MANUAL, YOU WILL BE ABLE TO DECIDE IF YOU NEED PROFESSIONAL HELP TO COMPLETE THE ASSEMBLY OF THE PLAYSET.
- SEPARATE AND IDENTIFY ALL PARTS TO MAKE SURE THAT YOU HAVE ALL OF THE PARTS LISTED.
- IF YOU CAN'T FIND ALL OF THE PARTS, CHECK THE PACKING MATERIAL. SMALL PARTS MAY HAVE FALLEN INTO IT DURING SHIPMENT.
- IF YOU HAVE PROBLEMS WITH THE ASSEMBLY OR IF ANY PART IS MISSING OR DAMAGED, PLEASE CALL THE HELP LINE **1-800-765-4138** OR VISIT [www.swingsetonline.com](http://www.swingsetonline.com).

PLEASE HAVE THE FOLLOWING INFORMATION WHEN YOU MAKE YOUR CALL:

- 1 – MODEL NUMBER OF THE PRODUCT LOCATED ON THE FRONT OF THE ASSEMBLY MANUAL
- 2 – DESCRIPTION OF THE PART FROM THE PARTS LIST



# Owner's Manual Play Set

**Please refer to the Assembly section of the Assembly Manual for Maximum Fall Height.**

## **Positioning Your Playcenter**

1. The Playcenter is designed to be installed on a level surface **by an Adult with an Adult helper**. Place in a flat area of your yard to minimize ground preparation.
2. Choose a level location for the equipment. This can reduce the likelihood of the play set tipping over and loose-fill surfacing material washing away during heavy rains.
3. Place the equipment not less than **6 ft (1.8 m)** from any structure or obstruction such as a fence, garage, house, overhanging branches, laundry lines, or electrical wires.
4. Provide enough room so that the children can use the equipment safely. For example, for structures with multiple play activities, a slide should not exit in front of a swing.
5. It is a good idea to place your Playcenter in an area that is convenient for adults to watch children at play.
6. Create a site free of obstacles that could cause injuries – such as low overhanging tree branches, overhead wires, tree stumps and/or roots, large rocks, bricks and concrete. Additional suggestions in the Suggested Playground Surfacing Section.
7. Do not build your playset on top of surfacing material.
8. Locate bare metal platforms and slides out of direct sunlight to reduce the likelihood of serious burns. A slide that faces north will receive the least direct sunlight.
9. Separate active and quiet activities from each other. For example, locate sandboxes away from swings or use a guardrail or barrier to separate the sandbox from the movement of the swings.

## **Suggested Playground Surfacing**

- ❑ Do not install home playground equipment over concrete, asphalt, packed earth, grass, carpet, or any other hard surface. A fall onto a hard surface can result in serious injury to the equipment user.
- ❑ Do not install loose fill surfacing over hard surfaces such as concrete or asphalt.
- ❑ Shredded bark mulch, wood chips, fine sand and fine gravel, are added as shock absorbing materials after assembly. If used properly these materials can absorb some of the impact of a child's fall.
- ❑ All surface material should extend a minimum of 6 feet in all directions around the play area.
- ❑ Do not apply playground surfacing until after the unit is completely constructed. Playset should not be built on top of surfacing.
- ❑ Use containment, such as digging out around the perimeter and/or lining the perimeter with landscape edging.
- ❑ Installations of rubber tiles or poured-in-place surfaces (other than loose-fill materials) generally require a professional and are not "do-it-yourself" projects.
- ❑ Shall use Playground Surfacing Materials (other than loose-fill material) which comply with the safety standard ASTM F1292 Standard Specification of Impact Attenuation of Surfacing Materials within the Use Zone of Playground Equipment.

## Owner's Manual Play Set

The following chart explains the fall height in feet from which a life threatening head injury would not be expected

### Critical Heights in feet (m) of Tested Materials

Material	Uncompressed Depth			Compressed Depth
	6" (152mm)	9" (228mm)	12" (304mm)	to 9" (228mm)
Wood Chips	7' (2.13m)	10' (3.05m)	11' (3.35m)	10' (3.05m)
Double-Shredded bark mulch	6' (1.83m)	10' (3.05m)	11' (3.35m)	7' (2.13m)
Engineered Wood Fibers	6' (1.83m)	7' (2.13m)	>12' (3.66m)	6' (1.83m)
Fine Sand	5' (1.52m)	5' (1.52m)	9' (2.74m)	5' (1.52m)
Coarse Sand	5' (1.52m)	5' (1.52m)	6' (1.83m)	4' (1.22m)
Fine Gravel	5' (1.52m)	7' (2.13m)	10' (3.05m)	6' (1.83m)
Medium Gravel	5' (1.52m)	5' (1.52m)	6' (1.83m)	5' (1.52m)
Shredded Tires*	10-12' (3.0-3.6m)	N/A	N/A	N/A

\*This data is from tests conducted by independent testing laboratories on a 6-inch depth of uncompressed shredded tire samples produced by four manufacturers. The tests reported critical heights, which varied from 10 feet to greater than 12 feet. It is recommended that persons seeking to install shredded tires as a protective surface request test data from the supplier showing the critical height of the material when it was tested in accordance with ASTM F1292.

### Operating Instructions:



**NOTE:** Your children's safety is our #1 concern. Observing the following statements and warnings reduces the likelihood of serious or fatal injury. Please review these safety rules regularly with your children.

1. This Playcenter is designed for specific number of occupants whose combined weight **should not exceed** a designated weight on the elevated floor or the swing area, the total Unit capacity is outlined in the Basic Setup Dimensions section of instruction manual. The maximum fall height and recommended play area is also available in the Basic Setup Dimensions section of the manual for the specific unit.
2. On-site adult supervision is **required**.
3. Instruct children **not** to walk close to, in front of, behind, or between moving swings or other moving playground equipment.
4. Instruct children to sit in and **never** stand on swings
5. Instruct children **not** to twist the chains and ropes and not to loop them over the top support bar, since this may reduce the strength of the chain or rope.
6. Instruct children **not** to jump from swings or other playground equipment in motion.
7. Instruct children to **not to push** empty seats. The seat may hit them and cause serious injury.
8. Instruct and teach children to sit in the center of the swings with their full weight on the seats.
9. Instruct children **not** to use the equipment in a manner other than intended.
10. Instruct children to **always** go down slides feet first. Never slide head first.
11. Instruct children to **look** before they slide to make sure no one is at the bottom.
12. Instruct children to **never** run up a slide, as this increases their chances of falling.
13. The parents should **dress children appropriately**. (Examples would include the use of well-fitting shoes and the avoidance of ponchos, scarfs, and other loose-fitting clothing that is potentially hazardous while using equipment).
14. Instruct children **not** to climb when the equipment is wet.
15. Instruct children to **never** jump from a fort deck. They should always use the ladder, ramp or slide.
16. Instruct children to **never** crawl or walk across the top of monkey bars.
17. Instruct children to **never** crawl on top of a fort roof.

## Owner's Manual Play Set

---

18. Verify that any suspended climbing ropes, chain, or cable are secured at both ends and that they cannot be looped back on it.
19. Instruct children **not** to attach items to the playground equipment that are not specifically designed for use with the equipment, such as, but not limited to, jump ropes, clothesline, pet leashes, cables and chain as they may cause a strangulation hazard.
20. Instruct children to **never** wrap their legs around swing chain.
21. Instruct children to **never** slide down the swing chain.
22. Instruct children to remove their bike or other sports helmet before playing on playground equipment.

### **Maintenance Instructions:**

#### **At the beginning of each play season:**

- Tighten all hardware.
- Lubricate all metallic moving parts per manufacturer's instructions.
- Check all protective coverings on bolts, pipes, edges, and corners. Replace if they are loose, cracked, or missing.
- Check all moving parts including swing seats, ropes, cables, and chains for wear, rust, or other deterioration. Replace as needed.
- Check metal parts for rust. If found, sand and repaint using a non Lead-based paint meeting the requirements of 16 CFR 1303.
- Check all wood members for deterioration and splinters. Sand down splinters and replace deteriorating wood members.
- Reinstall any plastic parts, such as swing seats or any other items that were removed for the cold season.
- Rake and check depth of loose fill protective surfacing materials to prevent compaction and to maintain appropriate depth. Replace as necessary.

#### **Twice a month during play season:**

- Tighten all hardware.
- Check all protective coverings on bolts, pipes, edges, & corners. Replace if they are loose, cracked, or missing.
- Rake and check depth of loose fill protective surfacing materials to prevent compaction and to maintain appropriate depth. Replace as necessary.
- Once a month during play season.
- Lubricate all metallic moving parts per manufacturer's instructions.
- Check all moving parts including swing seats, ropes, cables, and chains for wear, rust, or other deterioration. Replace as needed.

#### **At the end of each play season or when the temperature drops below 32° F:**

- Remove plastic swing seats and other items as specified by the manufacturer and take indoors or do not use.
- Rake and check depth of loose fill protective surfacing materials to prevent compaction and to maintain appropriate depth. Replace as necessary.

**Owners shall be responsible for maintaining the legibility of the warning labels.**

# Owner's Manual Play Set

---

## **Additional Maintenance:**

- Check the swing beam and hardware every two weeks due to wood expansion and contraction. It is particularly important that this procedure be followed at the beginning of each season.
- Inspect wood parts monthly. The grain of the wood sometimes will lift in the dry season causing splinters to appear. Light sand may be necessary to maintain a safe playing environment. Treat your playset with stain regularly, to help prevent severe checking/splitting and other weather damage.
- A waterbourne transparent stain has been applied to your playset. This is done for color only. Once or twice a year, depending on your climate conditions, you must apply some type of protection (sealant) to the wood of your unit. Prior to the application of sealant, lightly sand any "rough" spots on your playset. **Please note this is a requirement of your warranty.**
- Assembling and maintaining the playset on a level location is very important. As your children play, your playset will slowly dig its way into the soil, and it is very important that it settles evenly. Make sure the playset is level and true one each year or at the beginning of each play season.

## **Disposal Instructions:**

When the Playcenter use is no longer desired, it should be disassembled and disposed of in such a way that no unreasonable hazards will exist at the time the unit is discarded.

## **Third Party Assembly:**

Customer may, in their sole discretion, elect to use a third party person or service to assemble this product. Backyard Discovery assumes no responsibility or liability for any charge incurred by the Customer for any assembly services'.

Please see our warranty for more information about damaged and missing part replacement coverage. Backyard Discovery will not reimburse Customer for the price of parts purchased.

# Owner's Manual Play Set

## APPENDIX A

### Information on Playground Surfacing Materials:

The following information is from the **United States Consumer Product Safety Commission's Information Sheet for playground surfacing material**; also see the following website for additional information: [www.cpsc.gov/cpscpub/pubs/323.html](http://www.cpsc.gov/cpscpub/pubs/323.html).

#### X3. SECTION 4 OF THE CONSUMER PRODUCT SAFETY COMMISSION'S OUTDOOR HOME PLAYGROUND SAFETY HANDBOOK<sup>9</sup>

X3.1 *Select Protective Surfacing*—One of the most important things you can do to reduce the likelihood of serious head injuries is to install shock-absorbing protective surfacing under and around your play equipment. The protective surfacing should be applied to a depth that is suitable for the equipment height in accordance with ASTM Specification F 1292. There are different types of surfacing to choose from; whichever product you select, follow these guidelines:

##### X3.1.1 Loose-Fill Materials:

X3.1.1.1 Maintain a minimum depth of 9 inches of loose-fill materials such as wood mulch/chips, engineered wood fiber (EWF), or shredded/recycled rubber mulch for equipment up to 8 feet high; and 9 inches of sand or pea gravel for equipment up to 5 feet high. NOTE: An initial fill level of 12 inches will compress to about a 9-inch depth of surfacing overtime. The surfacing will also compact, displace, and settle, and should be periodically refilled to maintain at least a 9-inch depth.

X3.1.2 Use a minimum of 6 inches of protective surfacing for play equipment less than 4 feet in height. If maintained properly, this should be adequate. (At depths less than 6 inches, the protective material is too easily displaced or compacted.) NOTE: Do not install home playground equipment over concrete, asphalt, or any other hard surface. A fall onto a hard surface can result in serious injury to the equipment user. Grass and dirt are not considered protective surfacing because wear and environmental factors can reduce their shock absorbing effectiveness. Carpeting and thin mats are generally not adequate protective surfacing. Ground level equipment such as a sandbox, activity wall, playhouse or other equipment that has no elevated play surface – does not need any protective surfacing.

X3.1.3 Use containment, such as digging out around the perimeter and/or lining the perimeter with landscape edging. Don't forget to account for water drainage.

X3.1.3.1 Check and maintain the depth of the loose-fill surfacing material. To maintain the right amount of loose-fill materials, mark the correct level on play equipment support posts. That way you can easily see when to replenish and/or redistribute the surfacing.

X3.1.3.2 **Do not** install loose-fill surfacing over hard surfaces such as concrete or asphalt.

X3.1.4 Poured-In-Place Surfaces or Pre-Manufactured Rubber Tiles — You may be interested in using surfacing other than loose-fill materials – like rubber tiles or poured-in-place surfaces.

X3.1.4.1 Installations of these surfaces generally require a professional and are not “do-it-yourself” projects.

X3.1.4.2 Review surface specification before purchasing this type of surfacing. Ask the installer/manufacturer for a report showing that the product has been tested to the following safety standard: ASTM F 1292 Standard Specification for Impact Attenuation of Surfacing Materials within the Use Zone of Playground Equipment. This report should show the specific height for which the surface is intended to protect against serious head injury. This height should be equal to or greater than the fall height – vertical distance between a designated play surface (elevated surface for standing, sitting, or climbing) and the protective surfacing below – of your play equipment.

X3.1.4.3 Check the protective surfacing frequently for wear.

X3.1.5 Placement — Proper placement and maintenance of protective surfacing is essential. Be sure to:

X3.1.5.1 Extend surfacing at least 6 feet from the equipment in all directions.

X3.1.5.2 For to-fro swings, extend protective surfacing in front of and behind the swing to a distance equal to twice the height of the top bar from which the swing is suspended.

<sup>9</sup> This information has been extracted from the CPSC publications “Playground Surfacing — Technical Information Guide” and “Handbook for Public Playground Safety.” Copies of these reports can be obtained by sending a postcard to the: Office of Public Affairs, U.S. Consumer Product Safety Commission, Washington, D.C., 20207 or call the toll-free hotline: 1-800-638-2772.

The American Society for Testing and Materials takes no position respecting the validity of any parent right asserted in connection with any item mentioned in this standard. Users of this standard are expressly advised that determination of the validity of any such parent rights, and the risk of infringement of such rights, are entirely their own responsibility.

The standard is subject to revision at any time by the responsible technical committee and must be reviewed every five years and if not revised, either approved or withdrawn. Your comments are invited either for revision of this standard or for additional standards and should be addressed to ASTM Headquarters. Your comments will receive careful consideration at a meeting of the responsible technical committee, which you may attend. If you feel that your comments have not received a fair hearing you should make your views known to the ASTM Committee on Standards. 100 Barr Harbor Drive, West Conshohocken, PA 19428.

## **Play Set Assembly Manual FAQs:**

1. Does the area for the playset need to be level?

Yes. Backyard Discovery recommends the playset be positioned on a flat level area for maximum safety and durability. The stakes provided should be used to secure it firmly to the ground.

2. What size area is recommended for the playset?

Backyard Discovery recommends at least a 6' (six foot) perimeter around and above the playset for maximum safety.

3. What age range is appropriate for the playsets?

Backyard Discovery playsets are recommended for children ages 3 – 10 years.

4. Is the wood treated with chemicals?

Backyard Discovery uses 100% Chinese Cedar wood which is naturally bug resistant, decay and rot resistant. To help ensure your child's safety, our wood is completely chemical free and we do not use pressure-treated wood. The stain we use is a top coat using a water-based product that is for appearance only.

5. How often should the playset be stained?

Backyard Discovery recommends the playset be stained once each year. A water or oil based stain can be used at the customer's discretion.

6. Why does it seem that my swing set is developing cracks?

Wood is a natural material; no two pieces are exactly alike. Each piece has its own characteristics and personality and reacts differently to climate changes. When any wood product is exposed to the elements, it develops "wood checks". A check is the radial separation of the wood fibers running with the grain of the wood. These are caused by the varying temperature and moisture conditions. A check is not a crack – it does not affect the strength or durability of the wood or structural integrity of the play set.

7. Do Backyard Discovery playsets come with a warranty?

Yes. All Backyard Discovery products carry a 1-year replacement warranty on all parts for manufacturer's defect. Our wood carries a 5 year warranty on rot and decay as well. Please see warranty details for more information.

8. What is the best way to get started assembling the playset?

Backyard Discovery recommends taking all the parts out of the boxes and arranging them by part number before you begin any assembly. This will not only allow faster assembly, but will also identify any parts that may be missing or damaged so they can be replaced before assembly. If parts are missing or need replacement, go to [www.swingsetonline.com/support.aspx](http://www.swingsetonline.com/support.aspx) and follow the prompts to order them. Next, read the assembly manual and get the tools ready for the job as recommended in the manual. If the assembly manual is lost or misplaced a new one can be printed from Backyard Discovery's website: [www.swingsetonline.com](http://www.swingsetonline.com).

9. The playset seems to rock or sway too much. What's wrong?

Rocking is caused by uneven ground or obstructions such as rocks, roots, etc. under the ground rails. These should be removed and the ground underneath re-leveled to prevent rocking. Also ensure the playset is securely staked to the ground using the stakes provided.

10. The 2"x4" boards do not measure 2"x 4". Why not?

In the U.S. it is common practice to describe lumber dimensions using the rough cut sizes from the sawmill and not the finished dimensions. Retailers, home stores, etc. all use this accepted practice for describing lumber dimensions. However, Backyard Discovery playsets are designed and constructed using the actual dimensions so everything fits properly and remains so during the life of the playset.

11. The end beam is not straight up and down. Why not?

This is normal. Backyard Discovery designs playsets this way to ensure the strongest structure possible. The slight angle adds strength and reduces rocking and twisting.

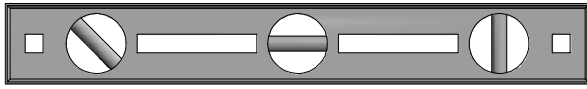
12. The S-hooks for the swings won't close. What is wrong?

Backyard Discovery recommends placing them on a hard surface such as concrete (don't do this on anything that will dent such as metal or finished wood or glass which will break!). It will take quite a few strokes, but the hooks will close.

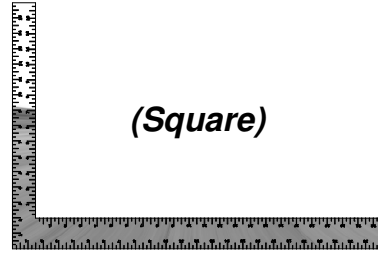
For more information and frequently asked questions, please refer to our website at [www.swingsetonline.com](http://www.swingsetonline.com).

# Tools Required for Installation:

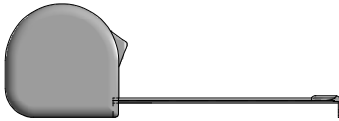
(These are the tools that are generally required for assembly of our outdoor products. These tools are not included with the outdoor product purchase.)



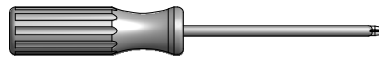
**(Level 24")**



**(Square)**



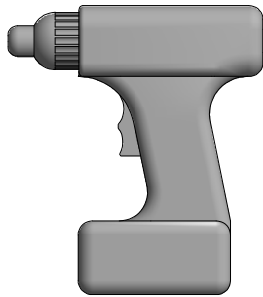
**(Tape Measure)**



**(Phillips Screw Driver)**



**(Claw Hammer)**



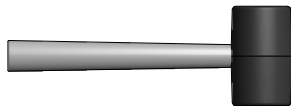
**(Cordless Drill or Electric Drill)**



**(Open End Wrenches 1/2")**



**(Drill Attachments:  
Phillips Head)**



**(Rubber Mallet - Optional)**



**(Ladder)**



**(3/8" Drill Bit)**



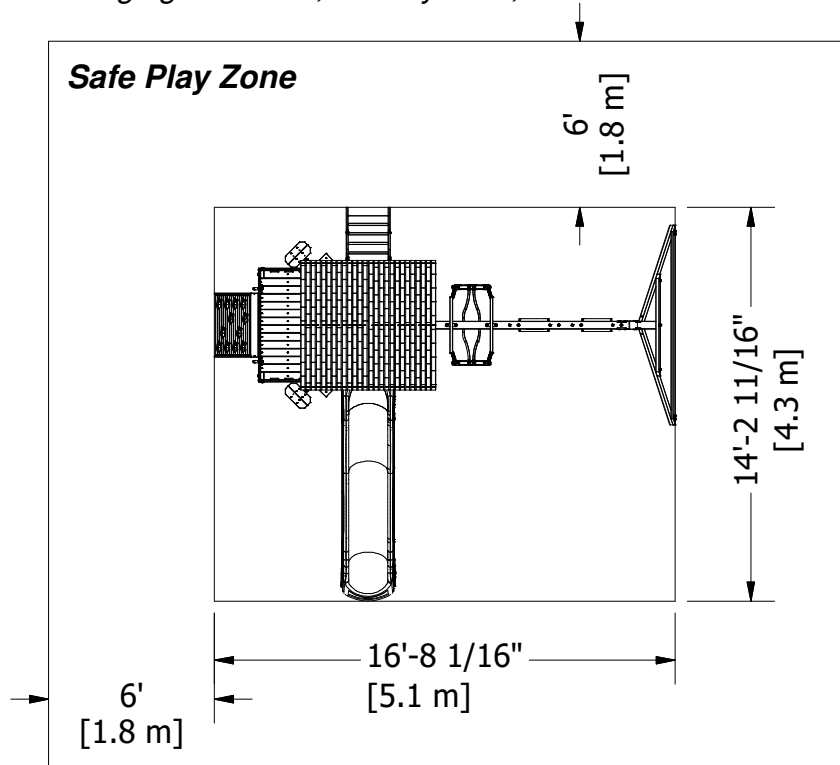
**(Drill Attachments: 1/2"  
Socket Driver)**



**(An Adult w/ an Adult Helper)**

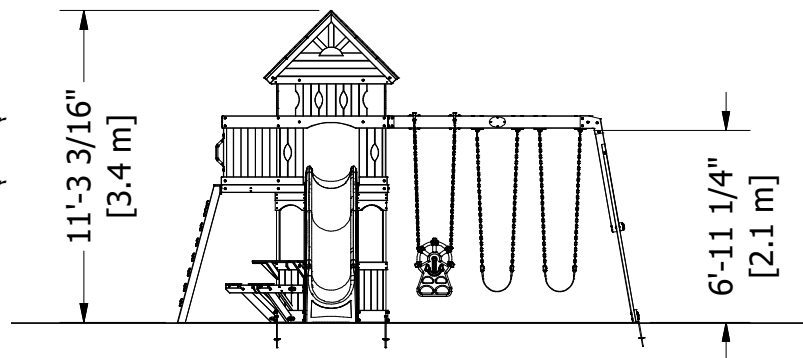
# Basic Setup Dimensions

Place the set on level ground, not less than 6 ft [2 m] from any structure or obstruction such as a fence, garage, house, overhanging branches, laundry lines, or electrical wires.



## **General Information:**

Your set has been designed and engineered for children only and for residential use only.  
A maximum of 150 lbs. per child is recommended for play activities designed for individual use.  
A maximum of 120 lbs. per child is recommended for play activities designed for multiple child use.  
A maximum of 9 children is recommended for this swing set.



Safe play height: 17'-3 3/16" [5.3 m]  
Maximum fall height: 6'-11 1/4" [2.1 m]

## Important Assembly Notes

- 1) While assembling unit, take time before and after each phase to make sure fort is level. If fort is not level, assembly will be difficult and improper assembly may result. Extra care must be taken to insure the fort is square.
- 2) Tighten bolts securely, tighten nuts on bolts flush to the tube or member, and place caps over exposed bolts snug to the nut.
- 3) Pay close attention to the **ITEMS NEEDED FOR EACH PHASE**. They can be a valuable aid when sorting your wood and hardware. Assembly will be made easier if items are sorted by phase.
- 4) Pay close attention to make sure you are using the correct hardware in the correct phases. Using incorrect hardware may result in improper assembly.
- 5) Whenever a T-nut is used, follow these directions. Place T-nut in pre-drilled hole. Tap in with hammer. Place bolt with washers in the opposite side. Hand tighten to make sure the bolt is in the T-nut. **DO NOT** over tighten.
- 6) Read the steps of each phase thoroughly. The written steps may include important information not shown in the illustrations.

# Parts Identification

## Wood Components

(NOT TO SCALE)



- (1) **A50 - SWING BEAM - W102416**  
3 3/8"x5 1/4"x89 1/2" (86x134x2274)



- (4) **E1 - LEFT UPRIGHT - W4L04458**  
1 3/8"x3 3/8"x59" (36x86x1500)



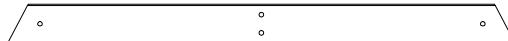
- (4) **E2 - RIGHT UPRIGHT - W4L04463**  
1 3/8"x3 3/8"x59" (36x86x1500)



- (6) **E3 - UPPER UPRIGHT - W4L04473**  
1 3/8"x3 3/8"x33 1/4" (36x86x844)



- (3) **E4 - SEAT BRACE - W4L04498**  
1 3/8"x3 3/8"x24" (36x86x609)



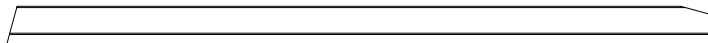
- (1) **E50 - END SUPPORT - W100949**  
1 3/8"x3 3/8"x44 1/8" (36x86x1120)



- (2) **E51 - ANGLE BRACE - W100948**  
1 3/8"x3 3/8"x88 3/4" (36x86x2254)



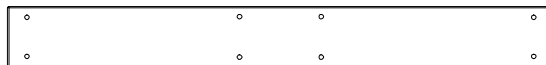
- (1) **E72 - LEFT RAIL - W100036**  
1 3/8"x3 3/8"x61 3/4" (36x86x1570)



- (1) **E73 - RIGHT RAIL - W100037**  
1 3/8"x3 3/8"x61 3/4" (36x86x1570)



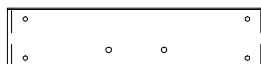
- (3) **F1 - MOUNTING BLOCK - W4L04496**  
1 3/8"x2 3/8"x3 3/8" (36x60x86)



- (1) **G1 - SWINGBEAM RAIL - W4L04483**  
1"x5 1/4"x47 3/8" (24x134x1204)



- (3) **G2 - GROUND BOARD - W4L04459**  
1"x5 1/4"x22 3/8" (24x134x570)



- (1) **G3 - GROUND BOARD - W4L04541**  
1"x5 1/4"x22 3/8" (24x134x570)

# Parts Identification

## Wood Components

(NOT TO SCALE)



- (1) **G50 - GROUND BOARD - W100947**  
1"x5 1/4"x86 3/4" (24x134x2202)



- (1) **H1 - DECK RAIL - W4L04461**  
1"x3 3/8"x72 3/8" (24x86x1838)



- (2) **H2 - ROOF SUPPORT - W4L04491**  
1"x3 3/8"x52 1/4" (24x86x1328)



- (1) **H3 - DECK RAIL - W4L04462**  
1"x3 3/8"x47 3/8" (24x86x1204)



- (1) **H4 - FLOOR SUPPORT - W4L04470**  
1"x2 3/4"x47 3/8" (24x70x1204)



- (1) **H5 - DECK RAIL - W4L04475**  
1"x3 3/8"x47 3/8" (24x86x1204)



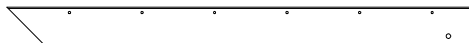
- (2) **H6 - FLOOR JOIST - W4L04478**  
1"x2 3/4"x47 3/8" (24x70x1204)



- (1) **H7 - ROOF SUPPORT - W4L04484**  
1"x3 3/8"x47 3/8" (24x86x1204)



- (1) **H8 - ARCHED ROOF SUPPORT - W4L04490**  
1"x3 3/8"x47 3/8" (24x86x1204)



- (4) **H9 - RAFTER - W4L04492**  
1"x3 3/8"x40 7/8" (24x86x1038)



- (2) **H10 - SHELF SUPPORT - W4L04551**  
1"x3 3/8"x9 3/4" (24x86x248)



- (1) **H12 - DECK RAIL - W4L04553**  
1"x3 3/8"x72 3/8" (24x86x1838)



- (2) **H13 - SEAT SUPPORT RAIL - W4L04558**  
1"x3 3/8"x18 5/8" (24x86x472)



- (1) **H14 - SEAT SUPPORT RAIL CENTER - W4L04559**  
1"x3 3/8"x22" (24x86x570)

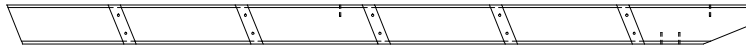


- (5) **H76 - LADDER RUNG - W100611**  
1"x3 3/8"x18 1/8" (24x86x460)

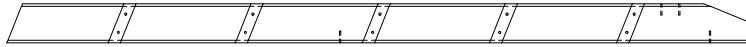
# Parts Identification

## Wood Components

(NOT TO SCALE)



- (1) **H77 - LADDER LEFT UPRIGHT - W4L04554**  
1"x3 3/8"x65" (24x86x1651)



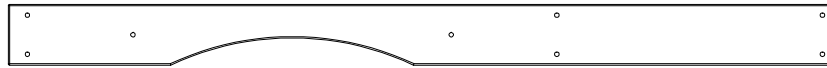
- (1) **H78 - LADDER RIGHT UPRIGHT - W4L04555**  
1"x3 3/8"x65" (24x86x1651)



- (2) **J1 - OUTER SHELF BRACE - W4L04550**  
1"x2 3/8"x10 5/8" (24x60x270)



- (4) **J2 - INNER SHELF BRACE - W4L04549**  
1"x2 3/8"x10 5/8" (24x60x270)



- (2) **K1 - ARCHED WALL RAIL - W4L04485**  
5/8"x5 1/4"x72" (16x134x1830)



- (1) **K2 - ARCHED WALL RAIL - W4L04486**  
5/8"x5 1/4"x47 3/8" (16x134x1204)



- (1) **K3 - CENTER SHELF - W4L04544**  
5/8"x5 1/4"x26" (16x134x661)



- (1) **K4 - CENTER SHELF - W4L04545**  
5/8"x5 1/4"x30 3/8" (16x134x772)



- (2) **K5 - OUTER SHELF - W4L04547**  
5/8"x5 1/4"x22 1/2" (16x134x573)



- (2) **K6 - OUTER SHELF - W4L04546**  
5/8"x5 1/4"x20 3/8" (16x134x518)



- (2) **K7 - WALL RAIL - W4L04488**  
5/8"x5 1/4"x13 1/2" (16x134x344)



- (2) **K80 - SUNBURST HALF MOON - W103694**  
5/8"x3 3/4"x10 3/8" (16x96x264)

# Parts Identification

## Wood Components

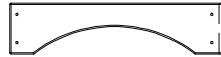
(NOT TO SCALE)



- (2) **L1 - ARCHED WALL RAIL - W4L04469**  
5/8"x4 3/8"x22 1/8" (16x112x563)



- (1) **L2 - ARCHED WALL RAIL - W4L04472**  
5/8"x4 3/8"x18 3/4" (16x112x475)



- (1) **L3 - RIGHT ARCHED WALL RAIL - W4L04471**  
5/8"x4 3/8"x18 1/2" (16x112x469)



- (1) **L4 - LEFT ARCHED WALL RAIL - W4L04468**  
5/8"x4 3/8"x18 1/2" (16x112x469)



- (1) **L5 - ARCHED WALL RAIL - W4L04467**  
5/8"x4 3/8"x18 1/4" (16x112x462)



- (1) **M1 - WALL RAIL - W4L04479**  
5/8"x3 3/8"x47 3/8" (16x86x1204)



- (2) **M2 - OUTER FLOOR BOARD - W4L04460**  
5/8"x3 3/8"x44 5/8" (16x86x1132)



- (2) **M3 - WALL RAIL - W4L04481**  
5/8"x3 3/8"x35 5/8" (16x86x905)



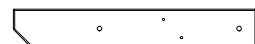
- (2) **M4 - WALL SLAT - W4L04487**  
5/8"x3 3/8"x29 7/8" (16x86x758)



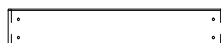
- (7) **M5 - WALL RAIL - W4L04465**  
5/8"x3 3/8"x22" (16x86x563)



- (2) **M6 - OUTER FLOOR BOARD - W4L04464**  
5/8"x3 3/8"x21 5/8" (16x86x550)



- (6) **M7 - SEAT RAIL - W4L04497**  
5/8"x3 3/8"x21 1/8" (16x86x536)



- (4) **M8 - WALL RAIL - W4L04466**  
5/8"x3 3/8"x18 3/4" (16x86x475)

# Parts Identification

## Wood Components

(NOT TO SCALE)



- (2) **M9 - WALL RAIL - W4L04489**  
5/8"x3 3/8"x13 1/2" (16x86x344)



- (2) **M10 - WALL RAIL - W4L04480**  
5/8"x3 3/8"x12 1/4" (16x86x310)



- (6) **M11 - SEAT - W4L04542**  
5/8"x3 3/8"x12" (16x86x304)



- (2) **M12 - WALL RAIL - W4L04482**  
5/8"x3 3/8"x9 5/8" (16x86x244)



- (6) **M13 - WALL SLAT - W4L04557**  
5/8"x3 3/8"x24 3/8" (16x86x618)



- (1) **M73 - REAR SUPPORT - W100610**  
5/8"x3 3/8"x19 1/4" (16x86x488)



- (10) **M74 - ROCK WALL BOARD - W100987**  
5/8"x3 3/8"x26 5/8" (16x86x675)



- (4) **M75 - ROCK WALL BOARD - W100988**  
5/8"x3 3/8"x26 5/8" (16x86x675)



- (4) **M76 - ROCK WALL BOARD - W100989**  
5/8"x3 3/8"x26 5/8" (16x86x675)



- (1) **M102 - ATTACHMENT BOARD - W4L04556**  
5/8"x3 3/8"x27 7/8" (16x86x707)



- (1) **M107 - ATTACHMENT BOARD - W103559**  
5/8"x3 3/8"x19 1/4" (16x86x488)



- (1) **M108 - TOP BOARD - W103105**  
5/8"x3 3/8"x27 7/8" (16x86x707)



- (2) **N1 - SHELF CLEAT - W4L04548**  
5/8"x2 3/8"x10 1/2" (16x60x268)

# Parts Identification

## Wood Components

(NOT TO SCALE)



- (2) **N5 - SUNBURST BOARD - W4L04493**  
5/8"x2 3/8"x15" (16x60x382)



- (4) **N6 - SUNBURST BOARD - W4L04494**  
5/8"x2 3/8"x9" (16x60x230)



- (4) **N7 - ROOF CLEAT TIE BLOCK - W4L04874**  
5/8"x1 5/8"x6" (16x40x152)



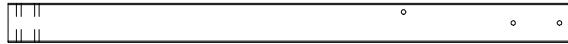
- (1) **O70 - SLIDE MOUNTING BOARD - W102822**  
5/8"x1 3/8"x20 3/8" (16x34x517)



- (3) **P1 - SAFETY BRACE - W4L04499**  
1 3/8"x1 3/8"x15 1/2" (36x36x393)



- (2) **S1 - ATTACHMENT BLOCK - W4L04552**  
1"x1"x3 3/8" (24x24x86)



- (1) **SP50 - SWING BEAM SUPPORT - W102417**  
3 3/8"x3 3/8"x49 3/8" (86x86x1254)



- (1) **T1 - FLOOR SUPPORT RAIL - W4L04474**  
1"x1 3/8"x40 5/8" (24x34x1032)



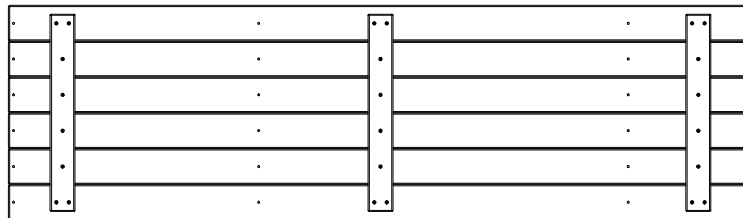
- (1) **T2 - FLOOR SUPPORT RAIL - W4L04476**  
1"x1 3/8"x16 7/8" (24x34x430)



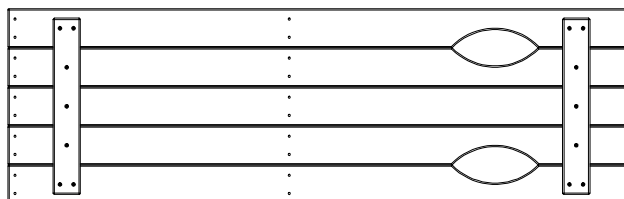
- (2) **T3 - FLOOR SUPPORT RAIL - W4L04477**  
1"x1 3/8"x8 1/2" (24x34x215)



- (6) **T4 - SEAT CLEAT - W4L04543**  
1"x1 3/8"x6 1/2" (24x34x164)



- (2) **FP1 - FLOOR PANEL - W2A01406**  
1 1/4"x20 3/8"x70 1/2" (32x516x1790)

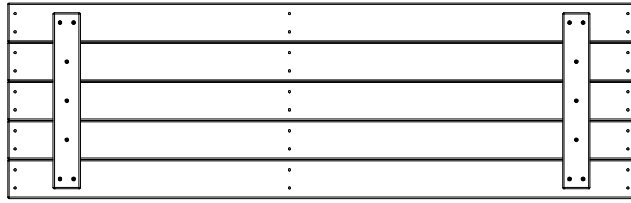


- (1) **WP1 - WALL PANEL - W2A01407**  
1 1/4"x16 7/8"x54 1/2" (32x430x1384)

# Parts Identification

## Wood Components

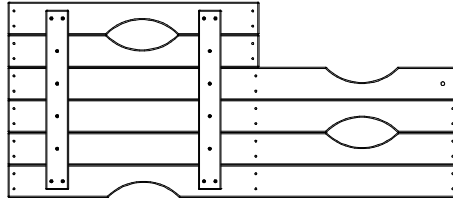
(NOT TO SCALE)



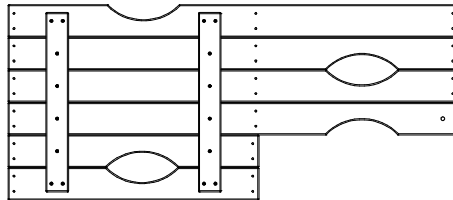
- (1) **WP2 - WALL PANEL - W2A01408**  
1 1/4"x16 7/8"x54 1/2" (32x430x1384)



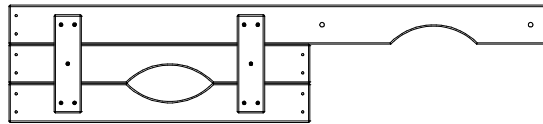
- (2) **WP3 - GABLE - W2A01476**  
1 1/4"x10 1/8"x50 3/8" (32x258x1280)



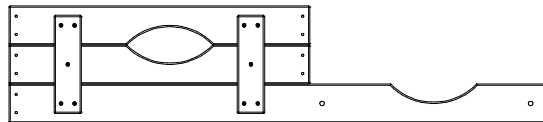
- (1) **WP4 - UPPER WALL PANEL - RIGHT - W2A01472**  
1 1/4"x20 3/8"x47" (32x516x1194)



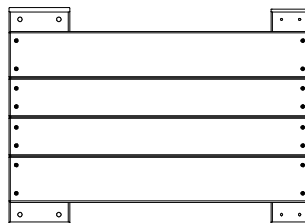
- (1) **WP5 - UPPER WALL PANEL - LEFT - W2A01473**  
1 1/4"x20 3/8"x47" (32x516x1194)



- (2) **WP6 - UPPER WALL PANEL - LEFT - W2A01475**  
1 1/4"x10 1/8"x47" (32x258x1194)



- (2) **WP7 - UPPER WALL PANEL - RIGHT - W2A01474**  
1 1/4"x10 1/8"x47" (32x258x1194)

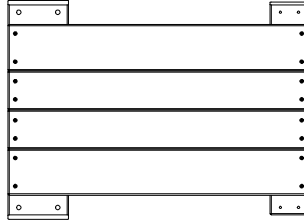


- (1) **WP8 - WALL PANEL - W2A01409**  
1 5/8"x19"x26 1/8" (40x482x664)

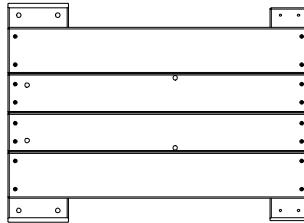
# Parts Identification

## Wood Components

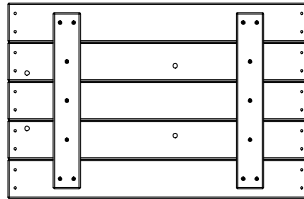
(NOT TO SCALE)



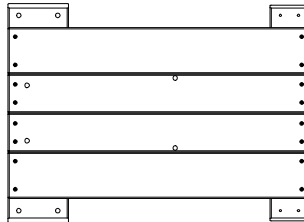
(1) **WP9 - RIGHT WALL PANEL - W2A01410**  
1 5/8"x19"x26 1/8" (40x482x664)



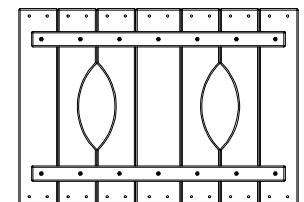
(1) **WP10 - LEFT WALL PANEL - W2A01470**  
1 5/8"x19"x26 1/8" (40x482x664)



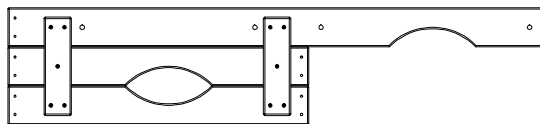
(1) **WP11 - WALL PANEL - W2A01471**  
1 1/4"x16 7/8"x26 1/8" (32x430x664)



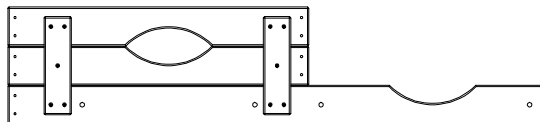
(1) **WP12 - WALL PANEL - W2A01480**  
1 5/8"x19"x26 1/8" (40x482x664)



(2) **WP13 - WALL PANEL - W2A01477**  
1 1/4"x16 5/8"x24 1/4" (32x430x616)



(1) **WP14 - UPPER WALL PANEL - LEFT - W2A01483**  
1 1/4"x10 1/8"x47" (32x258x1194)

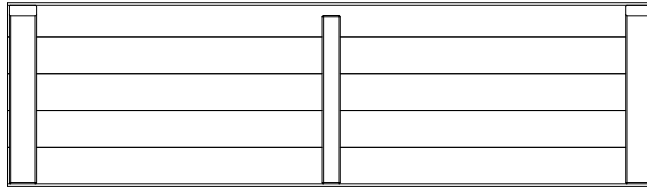


(1) **WP15 - UPPER WALL PANEL - RIGHT - W2A01484**  
1 1/4"x10 1/8"x47" (32x258x1194)

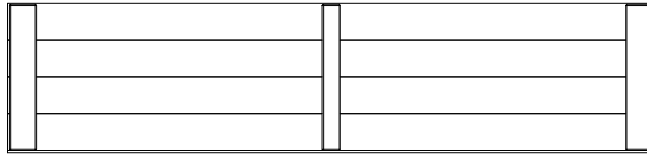
# Parts Identification

## Wood Components

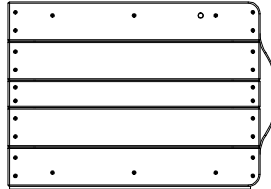
(NOT TO SCALE)



(2) **RP1 - PEAK ROOF PANEL - W2A01478**  
1 3/8"x15 7/8"x56 1/4" (35x404x1428)



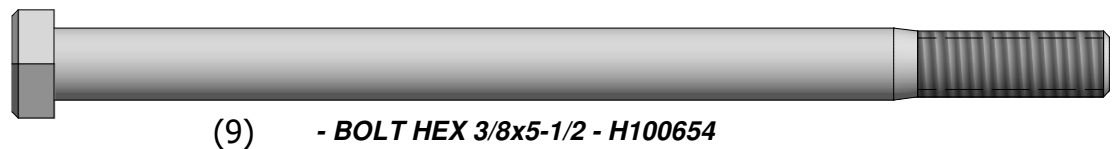
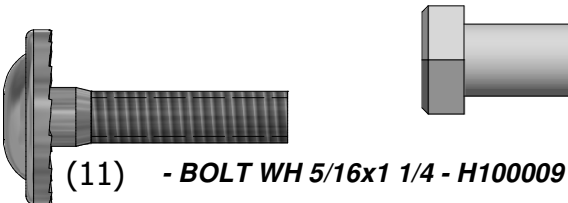
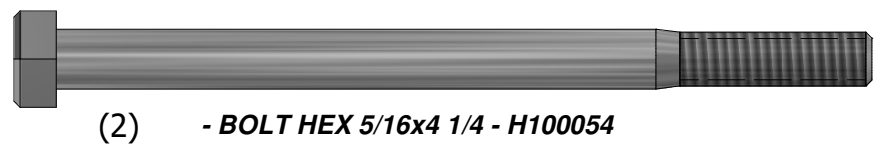
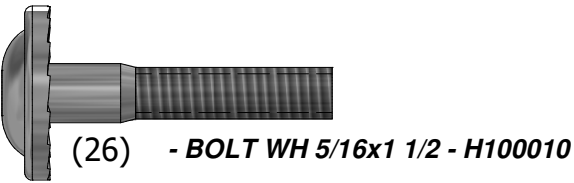
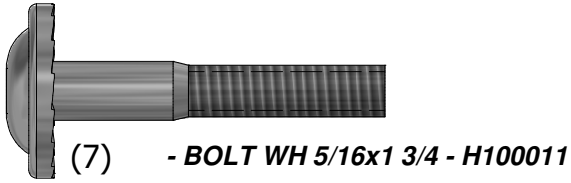
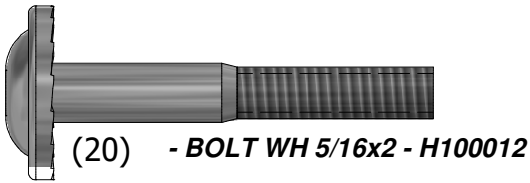
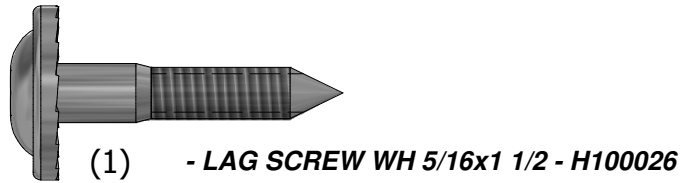
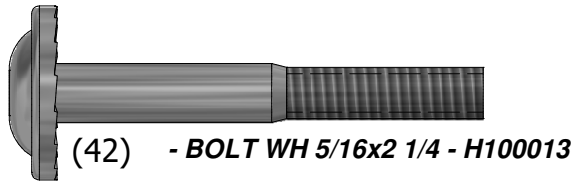
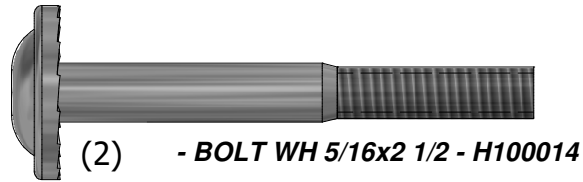
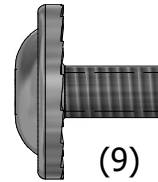
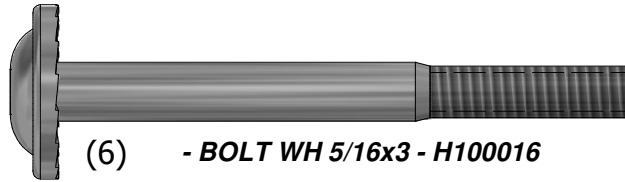
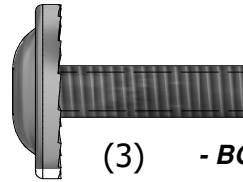
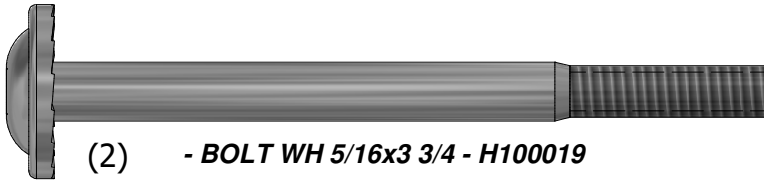
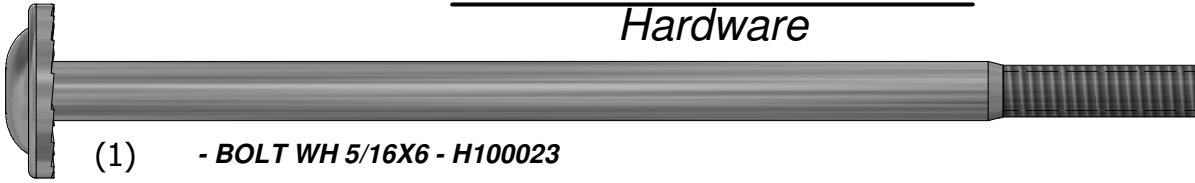
(4) **RP2 - ROOF PANEL - W2A01479**  
1 3/8"x13"x56 1/4" (35x329x1428)



(1) **DR1 - DOOR PANEL - W2A01482**  
1 1/4"x16"x23 1/2" (32x406x596)

# Parts Identification

## Hardware

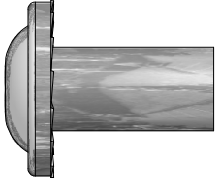


# Parts Identification

## Hardware



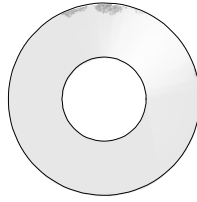
(2) **C - NUT BARREL WH 5/16x1 1/2 - H100006**



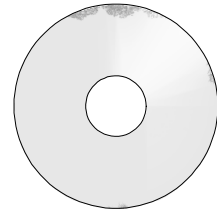
(23) **D - NUT BARREL WH 5/16x7/8 - H100005**



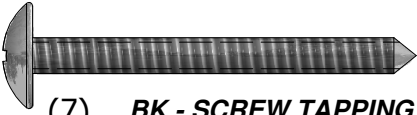
(9) **B - NUT BARREL WH 5/16x5/8 - H100004**



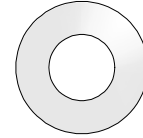
(9) **CA - WASHER FLAT 11x25 - H100102**



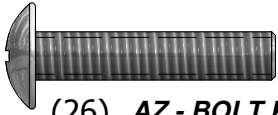
(19) **CD - WASHER FLAT 8x27 - H100105**



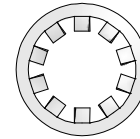
(7) **BK - SCREW TAPPING 14x2 - H100081**



(13) **CE - WASHER FLAT 9x18 - H100106**



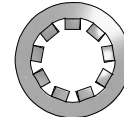
(26) **AZ - BOLT PTH 1/4x1 1/4 - H100062**



(9) **CF - WASHER LOCK INT 10x18 - H100107**



(35) **CK - SCREW PFH 8x2 - H100111**



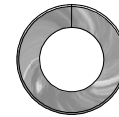
(26) **CG - WASHER LOCK INT 8x15 - H100108**



(196) **BS - SCREW PFH 8x1 3/4 - H100089**



(144) **BP - SCREW PFH 8x1 1/2 - H100086**



(7) **BX - WASHER SPLIT 5/16 - H100095**



(13) **BQ - SCREW PFH 8x1 1/4 - H100087**



(2) **CY - SCREW PWH 8x5/8 - H100128**



(10) **TS - SCREW PWH 8x1-1/4 - H100180**



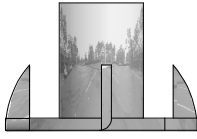
(366) **BR - SCREW PFH 8x1 1/8 - H100088**



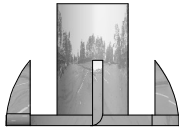
(4) **CR - SCREW PFH 8x3/4 - H100121**

# Parts Identification

## Hardware & Accessories



(9) **BF - T-NUT 3/8 - H100073**



(94) **BG - T-NUT 5/16 - H100074**



(26) **BE - T-NUT 1/4 - H100072**



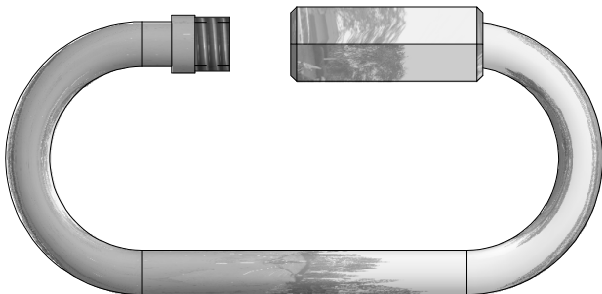
(13) **CJ - NUT LOCK 5/16 - H100110**



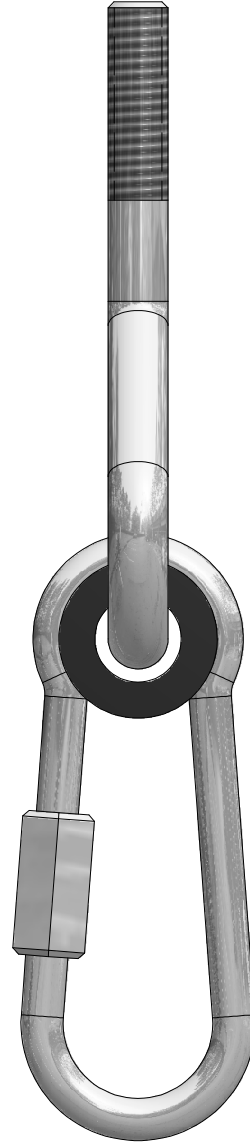
(2) **- T-40 Torx Bit - A100042**



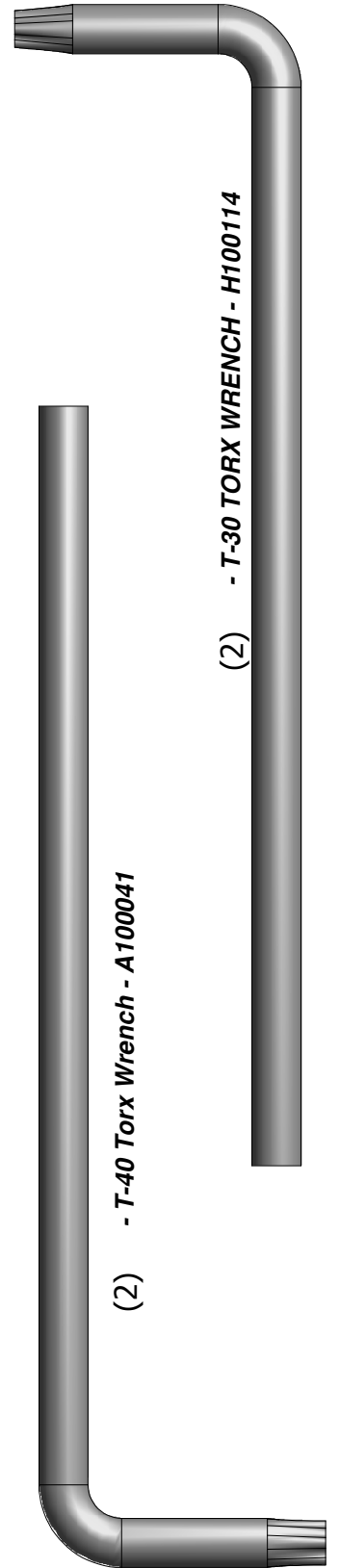
(2) **- T-30 TORX BIT - H100147**



(8) **FA - QUICK LINK - A100069**



(4) **BY - SWING HANGER QUICK LINK - H100097**

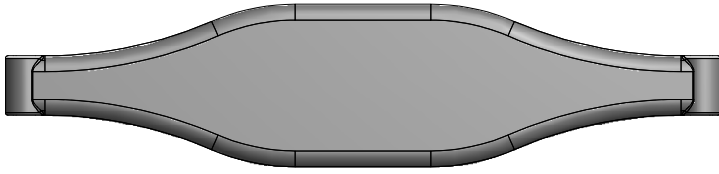


(2) **- T-40 Torx Wrench - A100041**

(2) **- T-30 TORX WRENCH - H100114**

# Parts Identification

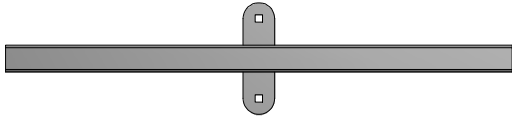
## Accessories (NOT TO SCALE)



(1) **DN - GLIDER SEAT DARK GREEN - A100025**



(2) **DP - SWING SEAT GREEN - A100027**



(2) **EW - GLIDER SUPPORT BYD GREEN - A100065**



(4) **EX - GLIDER BUSHING BYD GREEN - A100066**



(4) **EY - TUBING CAP GLIDER SUPPORT - A100067**



(12) **EV - CLIMBING ROCK - GREEN - A100064**



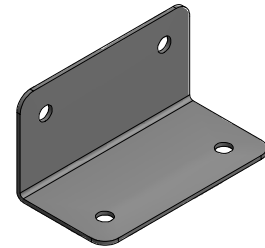
(4) **EF - CHAIN GREEN 57" - A100047**



(4) **EZ - CHAIN GREEN 51.25" - A100068**



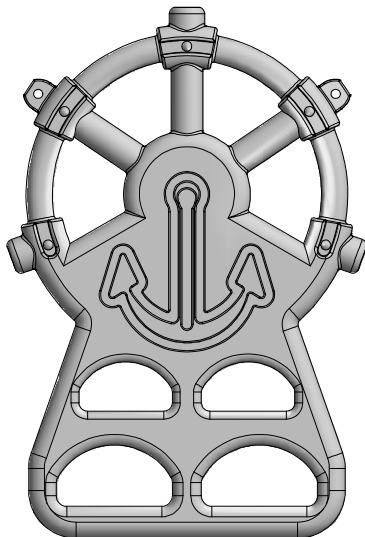
(2) **JV - HAND GRIP GREEN 816 c/c - A100134**



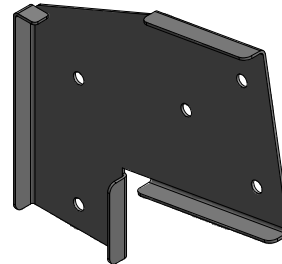
(2) **GD - L BRACKET 66x66x127 - A100140**



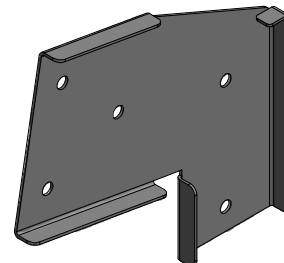
(1) **SR - "B" REVISION TAG - A100315**



(2) **DO - CAPTAINS GLIDER ARM YELLOW - A100026**



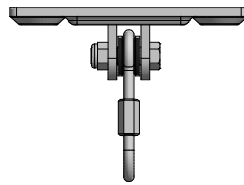
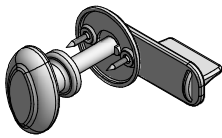
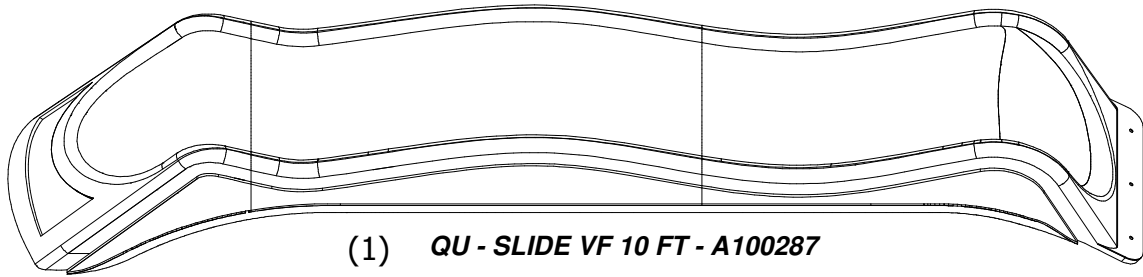
(1) **TB - SWING BEAM EXTENSION BRACKET-LEFT - A100325**

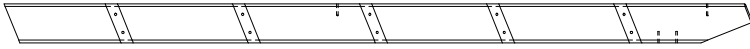


(1) **TC - SWING BEAM EXTENSION BRACKET-RIGHT - A100326**

# Parts Identification

## Accessories (NOT TO SCALE)





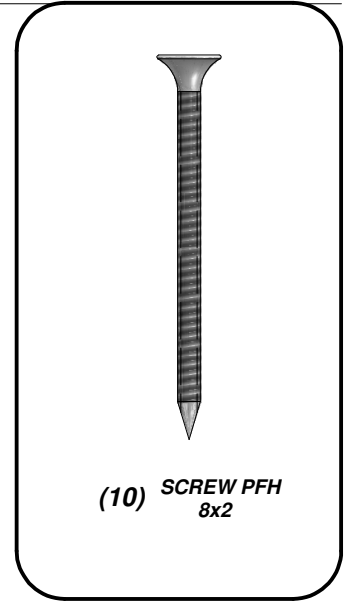
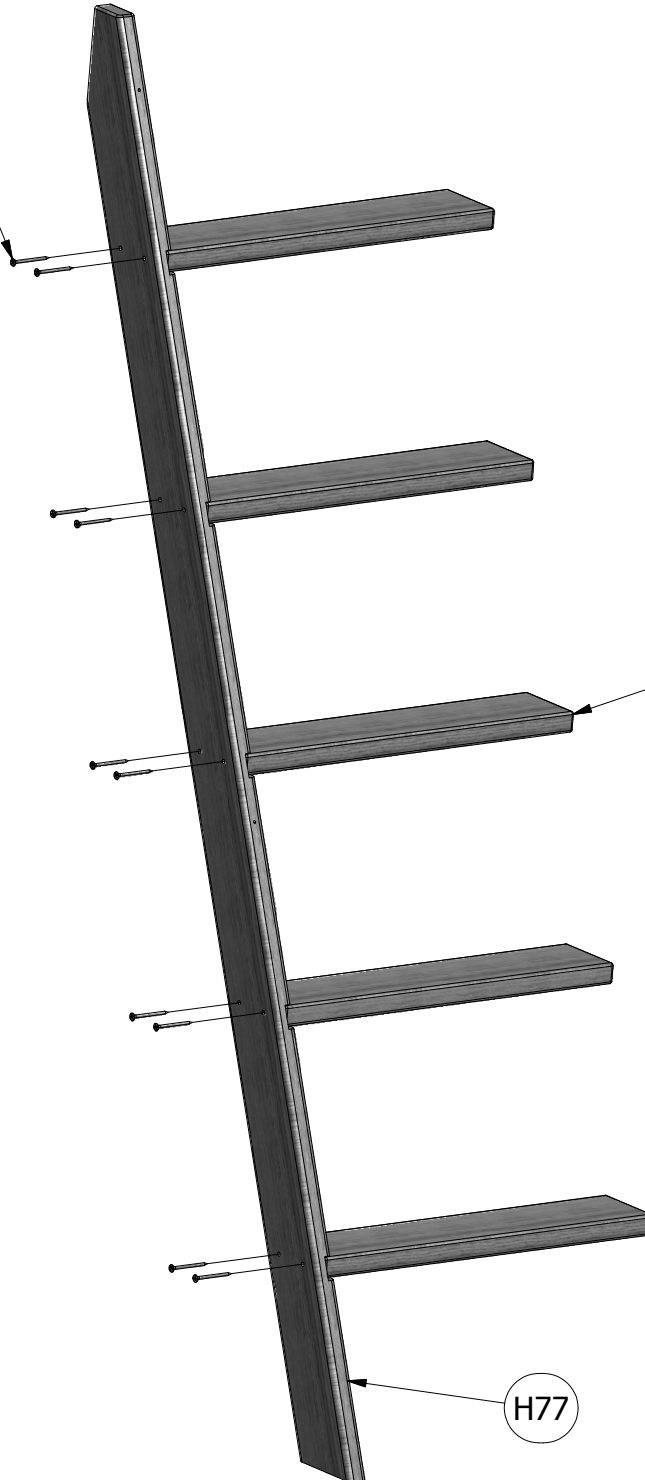
(1) **H77 - LADDER LEFT UPRIGHT - W4L04554**  
1"x3 3/8"x65" (24x86x1651)

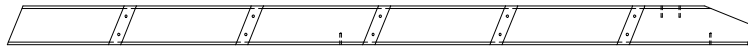


(5) **H76 - LADDER RUNG - W100611**  
1"x3 3/8"x18 1/8" (24x86x460)

### 5 FOOT LADDER ASSEMBLY STEP 1

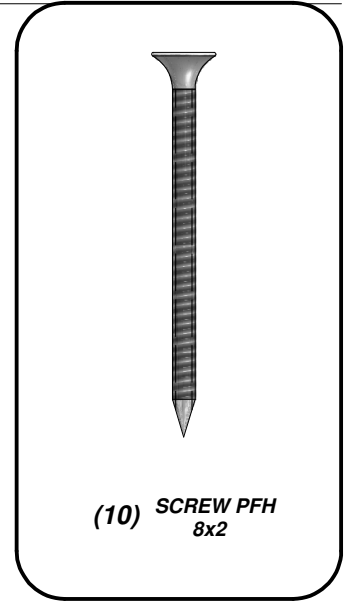
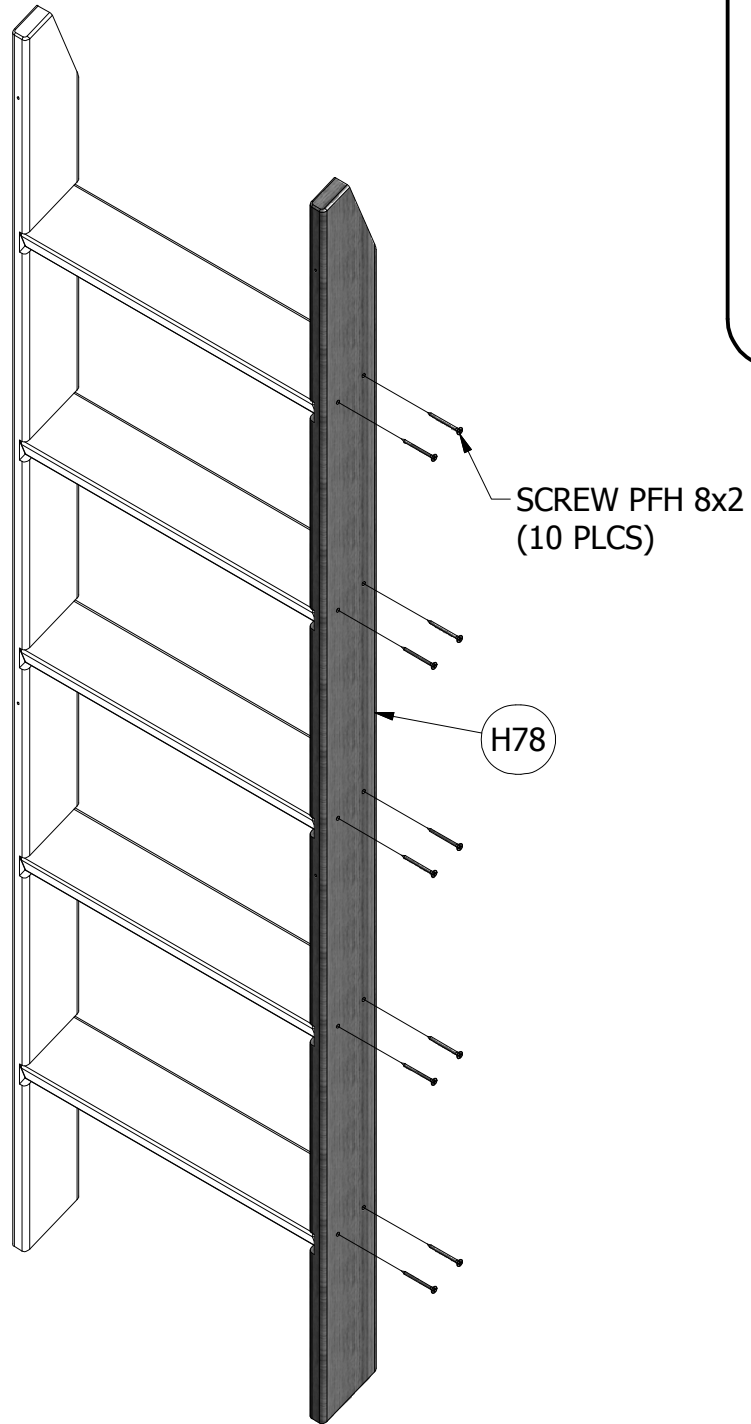
SCREW PFH 8x2  
(10 PLCS)

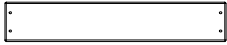




(1) **H78 - LADDER RIGHT UPRIGHT - W4L04555**  
**1"x3 3/8"x65" (24x86x1651)**

**5 FOOT LADDER ASSEMBLY**  
**STEP 2**



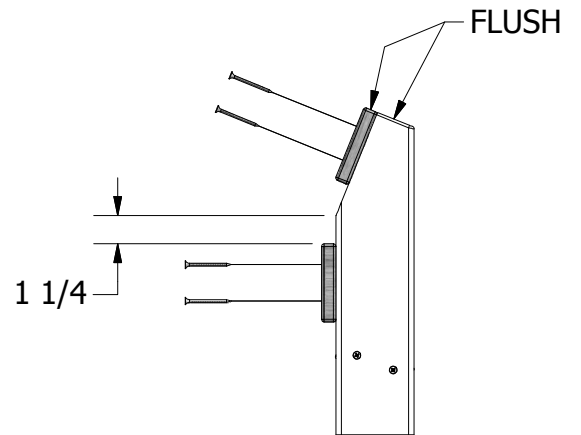
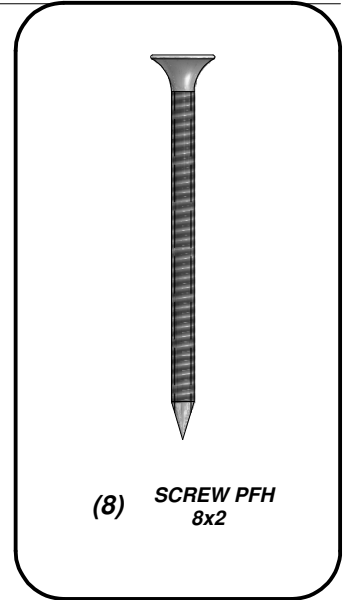
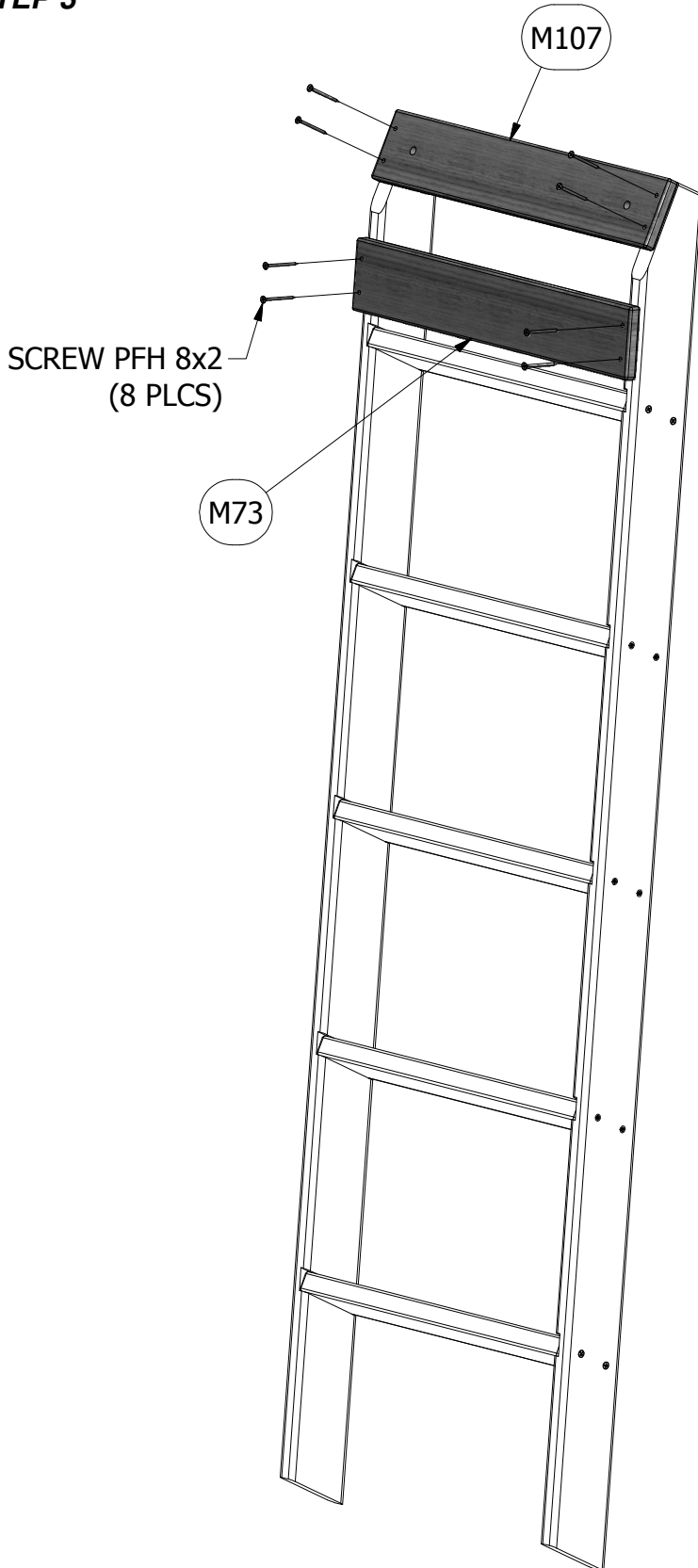


(1) **M73 - REAR SUPPORT - W100610**  
5/8"x3 3/8"x19 1/4" (16x86x488)



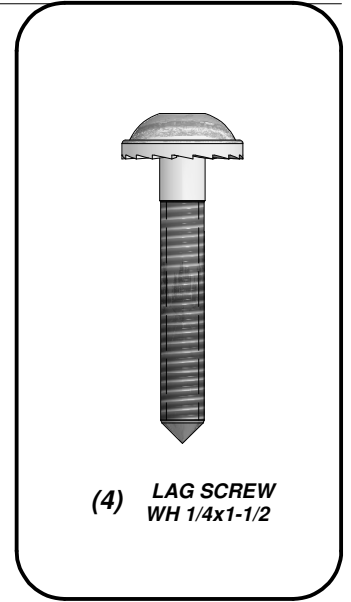
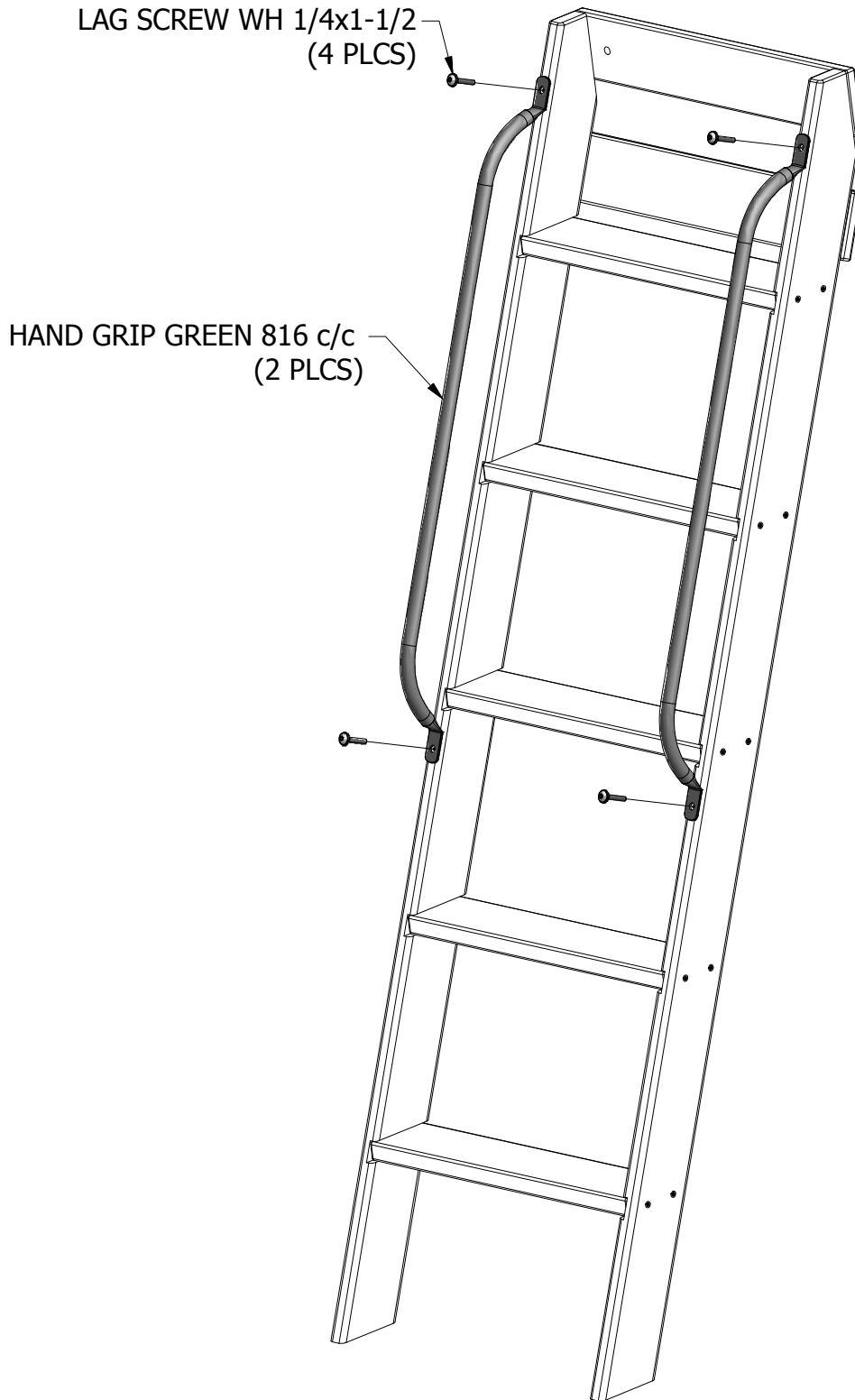
(1) **M107 - ATTACHMENT BOARD - W103559**  
5/8"x3 3/8"x19 1/4" (16x86x488)

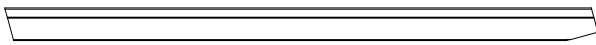
### 5 FOOT LADDER ASSEMBLY STEP 3



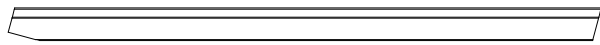
(2) JV - HAND GRIP GREEN 816 c/c - A100134

**5 FOOT LADDER ASSEMBLY  
STEP 4**





(1) **E72 - LEFT RAIL - W100036**  
 1 3/8"x3 3/8"x61 3/4" (36x86x1570)



(1) **E73 - RIGHT RAIL - W100037**  
 1 3/8"x3 3/8"x61 3/4" (36x86x1570)



(10) **M74 - ROCK WALL BOARD - W100987**  
 5/8"x3 3/8"x26 5/8" (16x86x675)



(4) **M75 - ROCK WALL BOARD - W100988**  
 5/8"x3 3/8"x26 5/8" (16x86x675)



(4) **M76 - ROCK WALL BOARD - W100989**  
 5/8"x3 3/8"x26 5/8" (16x86x675)

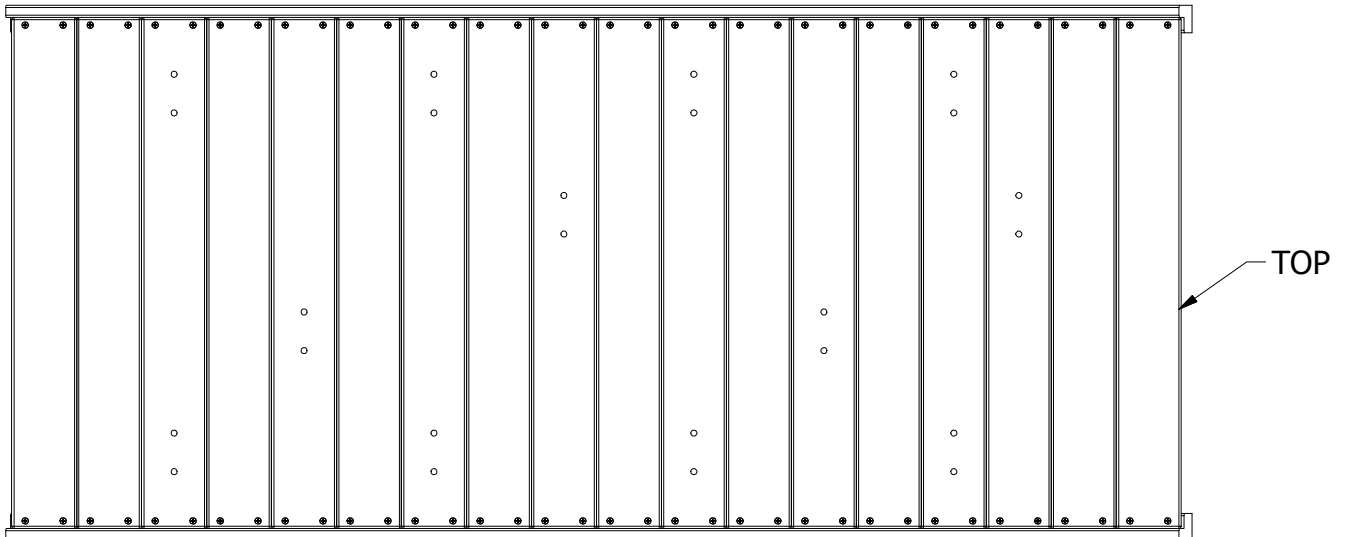
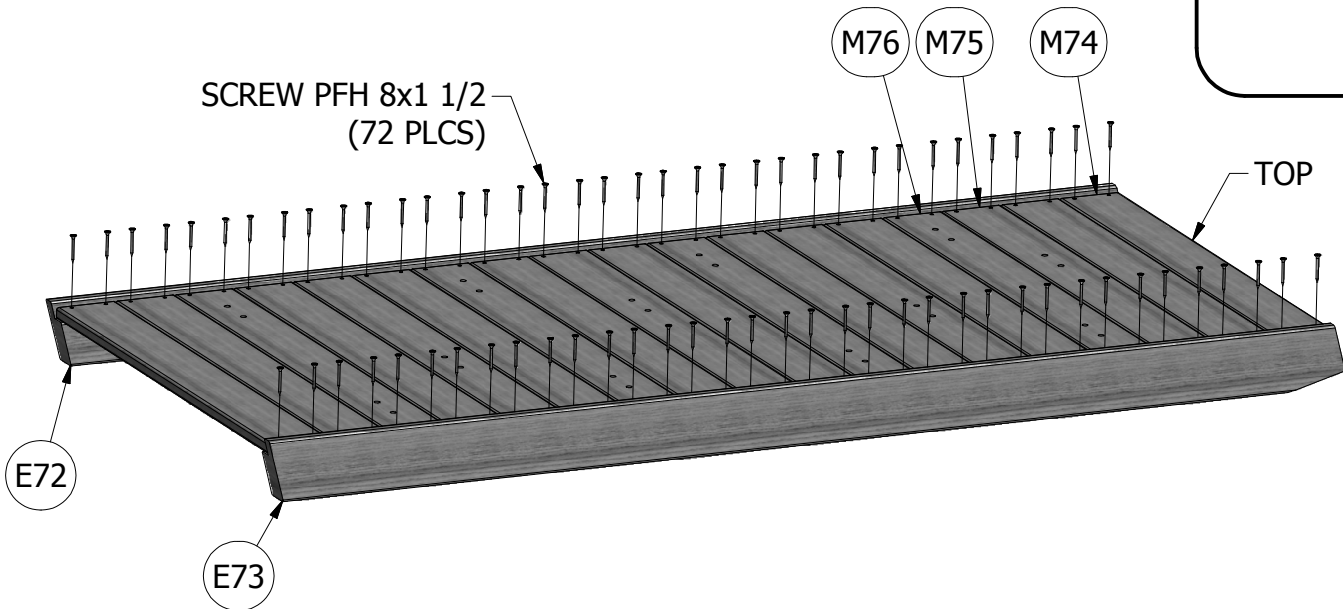
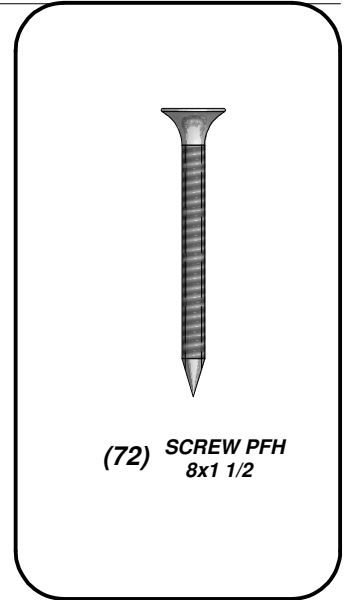
**ROCKWALL ASSEMBLY  
 STEP 1**

**PLACE E72 & E73 RAILS ON THEIR SIDES SO THAT THE GROOVES FACE EACH OTHER.**

**NOTE ORIENTATION OF M74, M75, & M76 BOARDS IN DIAGRAM, PLACING THEM AS SHOWN ON E72 & E73 RAILS.**

**USING BOARDS AS A TEMPLATE, PRE-DRILL EDGES OF RAILS USING 1/8" DRILL BIT. FAILURE TO PRE-DRILL MAY RESULT IN BOARD SPLITTING.**

**ATTACH TOP M74 BOARD FIRST AND WORK DOWN USING 1 1/2" SCREWS.**



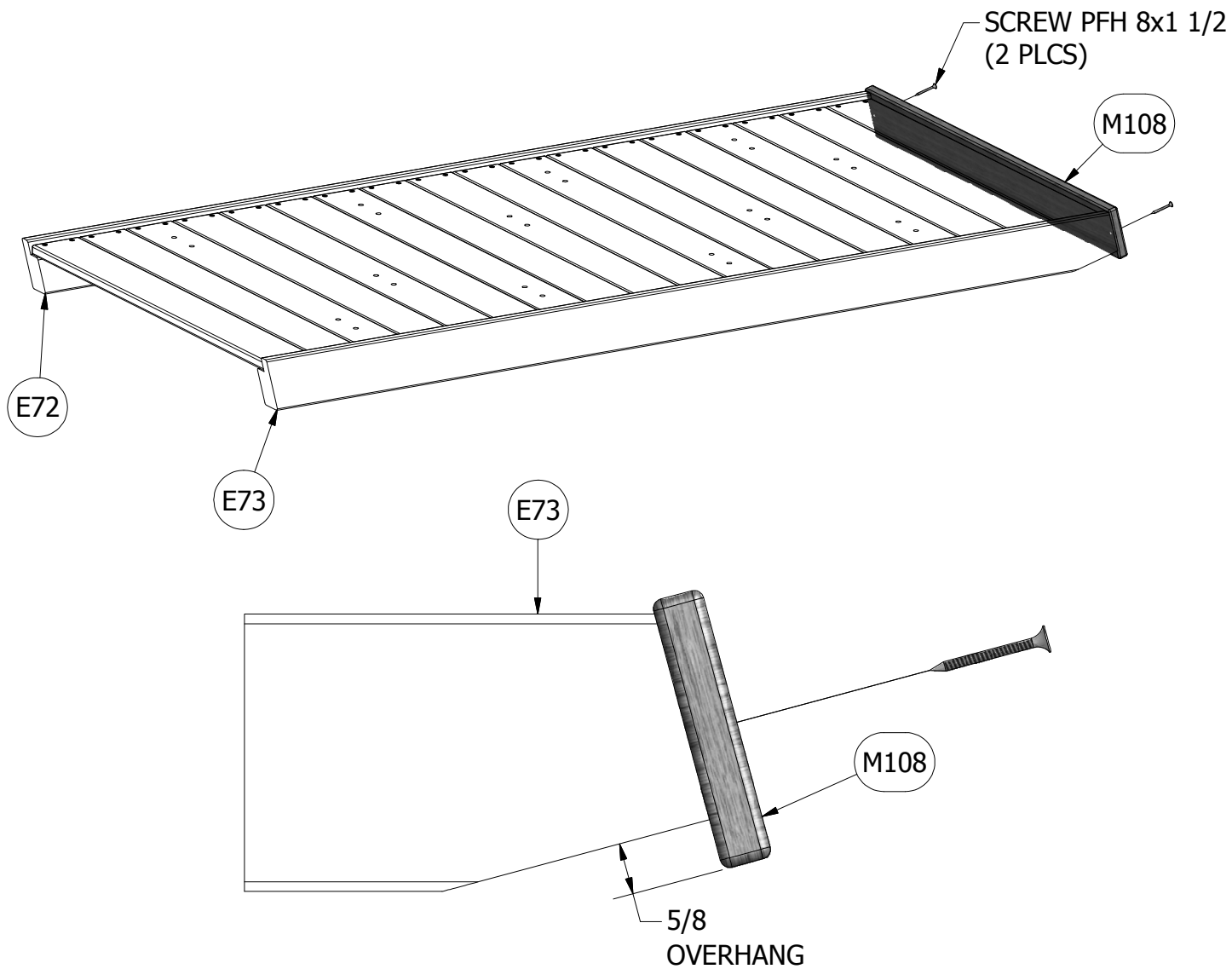
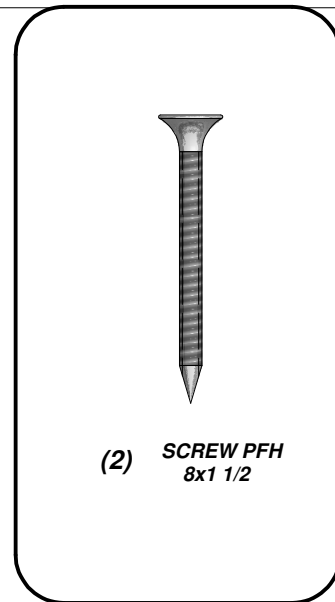
**BOARD PLACEMENT PATTERN**

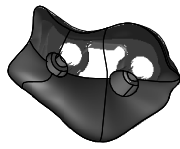


(1) **M108 - TOP BOARD - W103105**  
5/8"x3 3/8"x27 7/8" (16x86x707)

## ROCKWALL ASSEMBLY STEP 2

USING M108 AS A GUIDE, PRE-DRILL TOP EDGE OF RAILS WITH 1/8" DRILL BIT.  
FAILURE TO PRE-DRILL MAY RESULT IN BOARD SPLITTING.





(12) EV - CLIMBING ROCK - GREEN - A100064

### ROCKWALL ASSEMBLY STEP 3



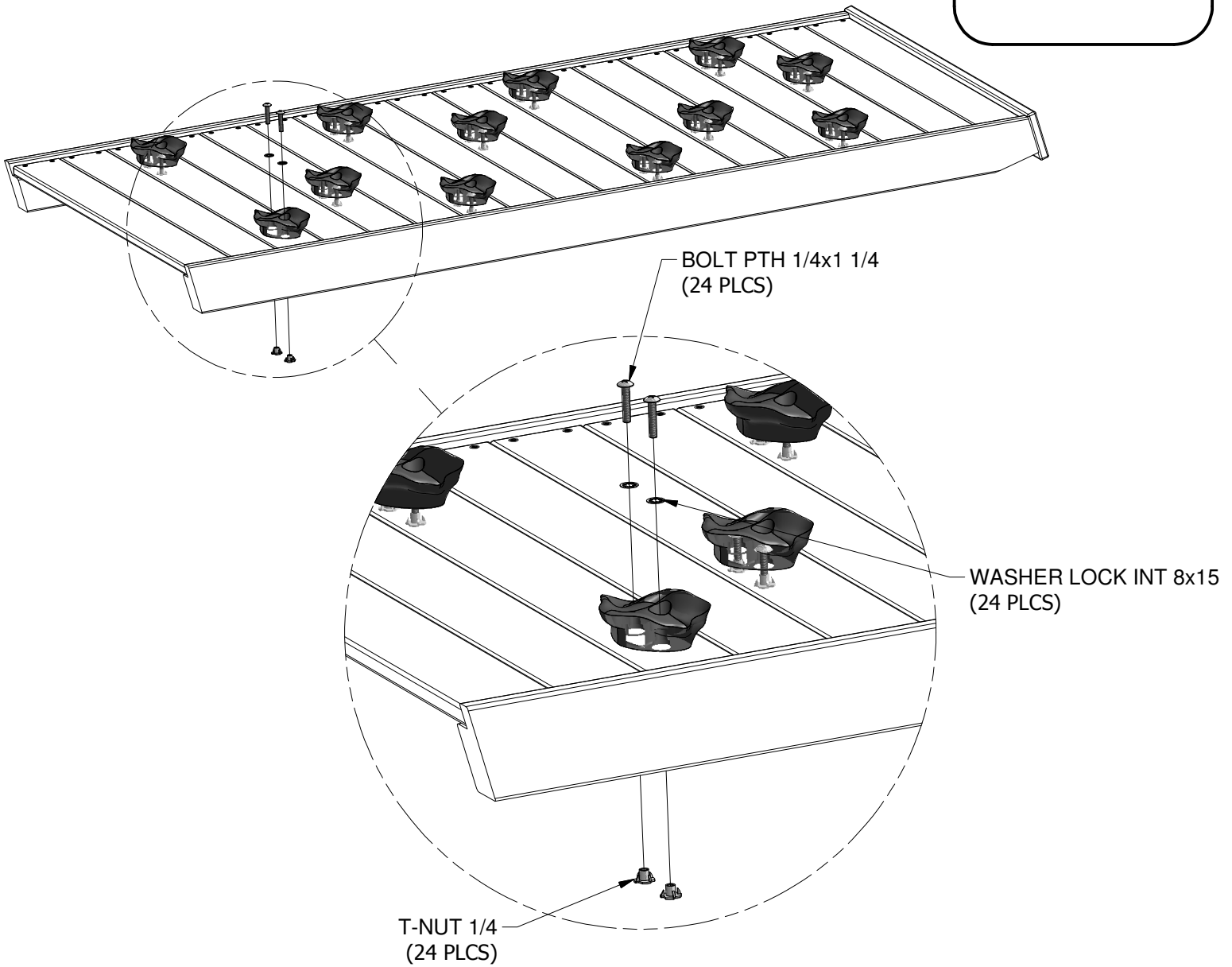
(24) BOLT PTH  
1/4x1 1/4



(24) WASHER  
LOCK INT  
8x15



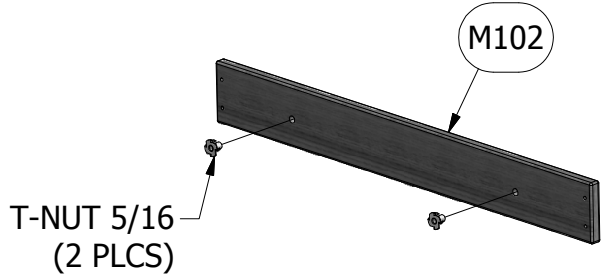
(24) T-NUT 1/4





(1) **M102 - ATTACHMENT BOARD - W4L04556**  
5/8"x3 3/8"x27 7/8" (16x86x707)

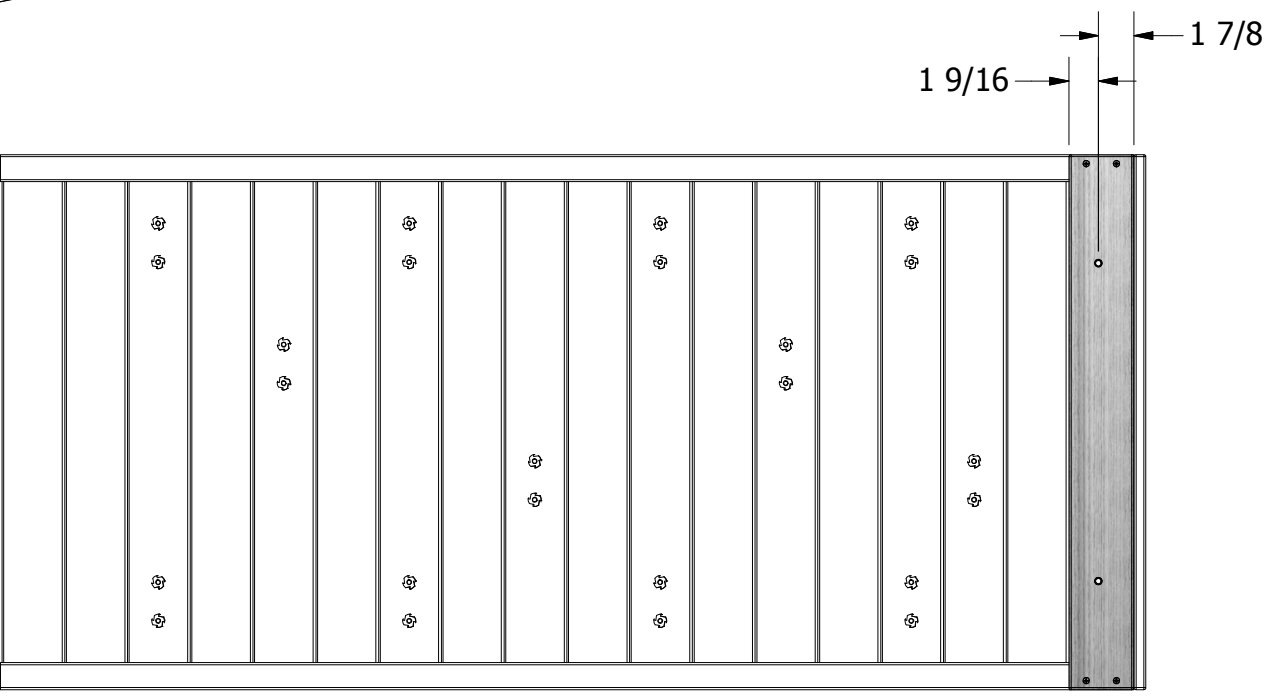
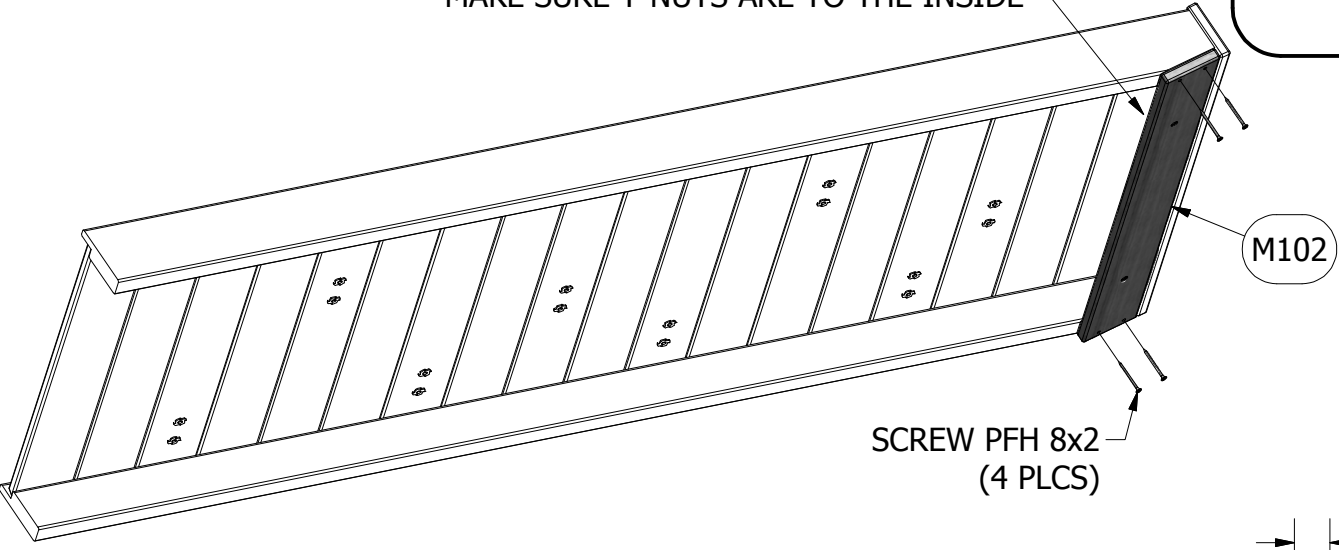
**ROCKWALL ASSEMBLY**  
**STEP 4**

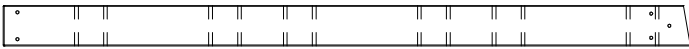


(2) **T-NUT 5/16**

(4) **SCREW PFH 8x2**

MAKE SURE T-NUTS ARE TO THE INSIDE

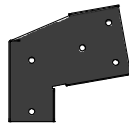




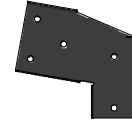
(1) **A50 - SWING BEAM - W102416**  
 3 3/8"x5 1/4"x89 1/2" (86x134x2274)



(2) - **L BRACKET 66x66x127 - A100140**

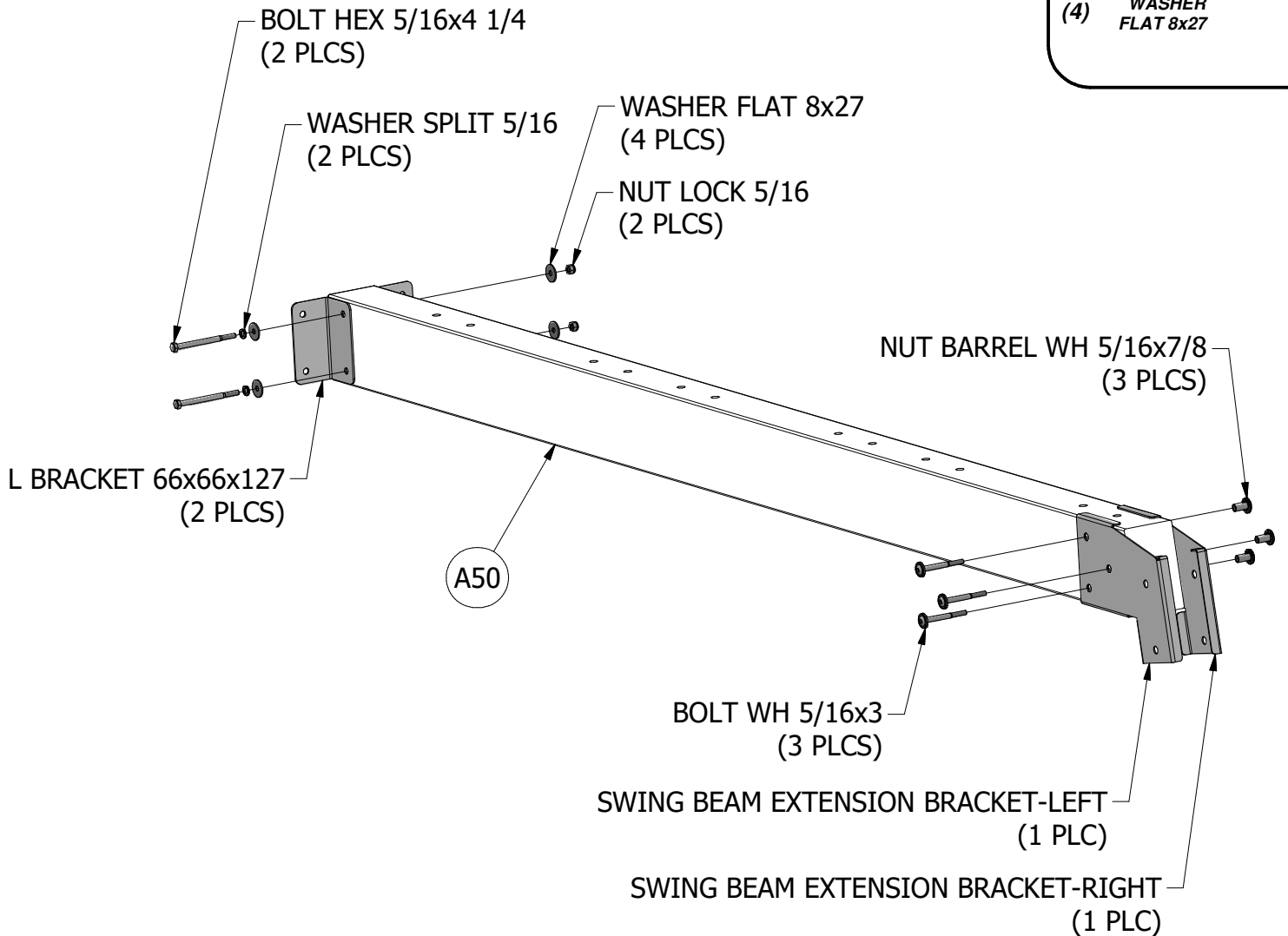
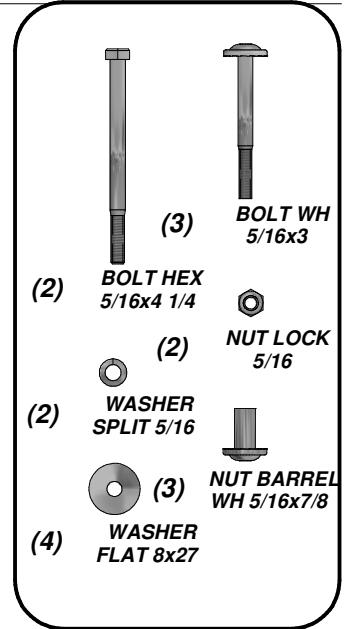


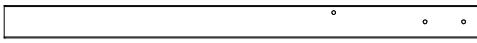
(1) - **SWING BEAM EXTENSION BRACKET-LEFT - A100325**



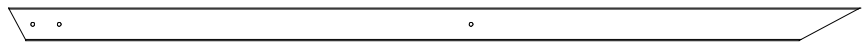
(1) - **SWING BEAM EXTENSION BRACKET-RIGHT - A100326**

## SWING BEAM ASSEMBLY STEP 1

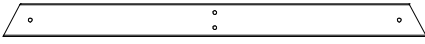




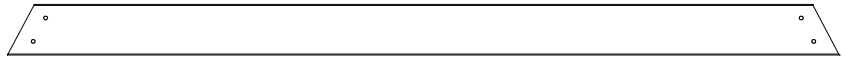
(1) **SP50 - SWING BEAM SUPPORT - W102417**  
3 3/8"x3 3/8"x49 3/8" (86x86x1254)



(2) **E51 - ANGLE BRACE - W100948**  
1 3/8"x3 3/8"x88 3/4" (36x86x2254)

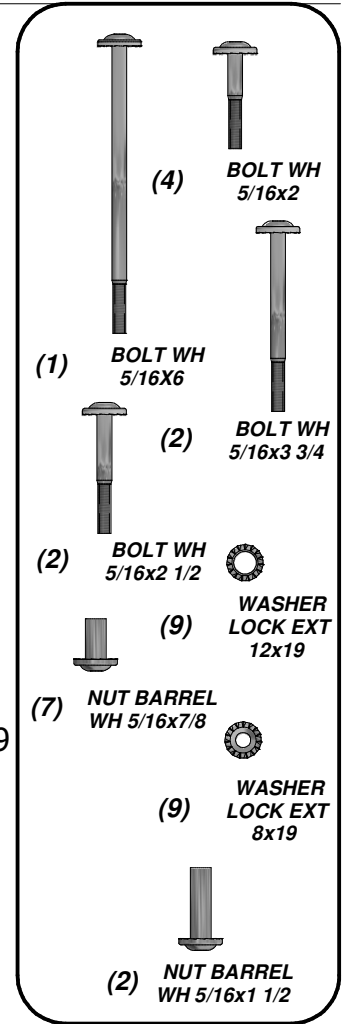
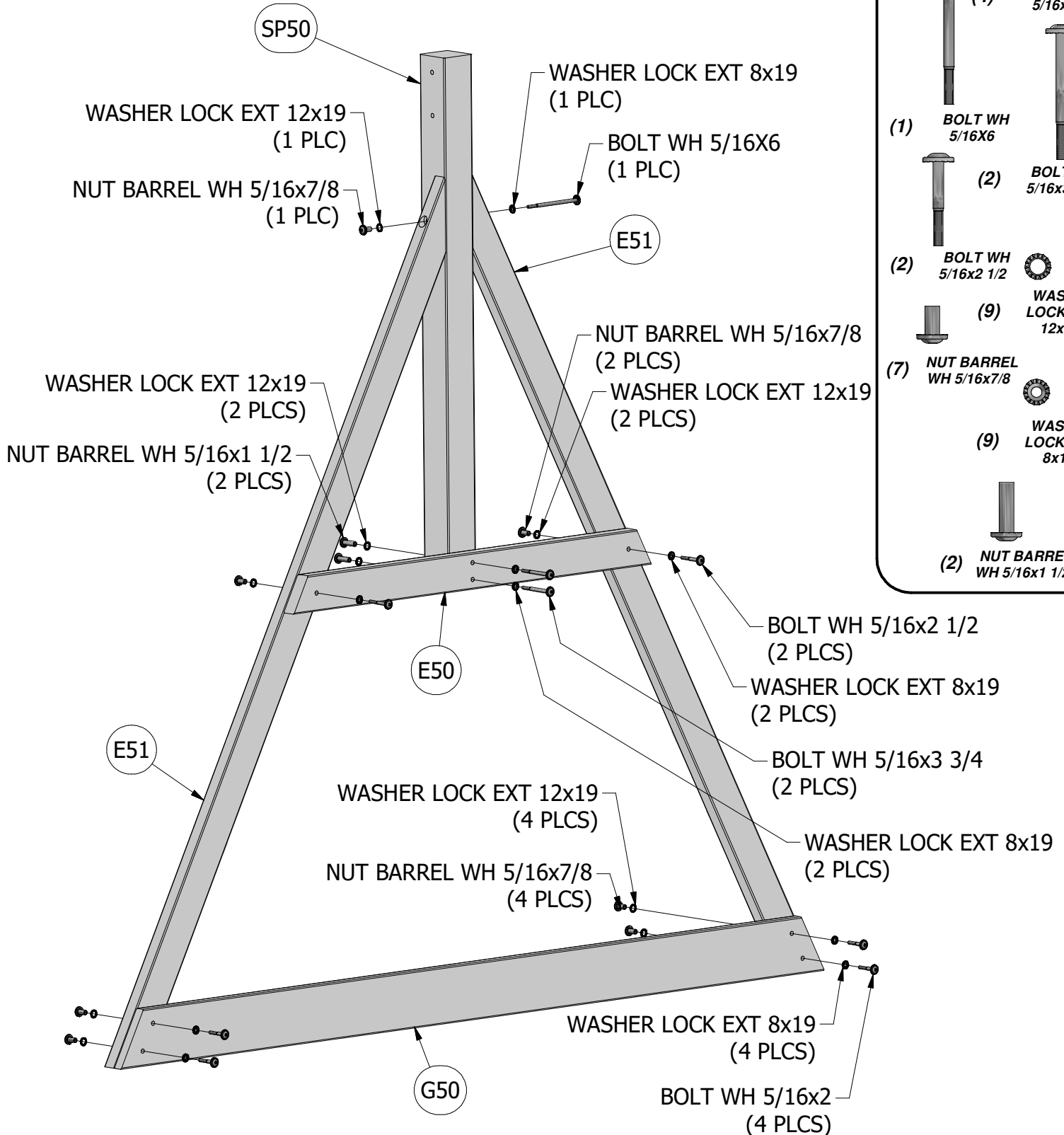


(1) **E50 - END SUPPORT - W100949**  
1 3/8"x3 3/8"x44 1/8" (36x86x1120)

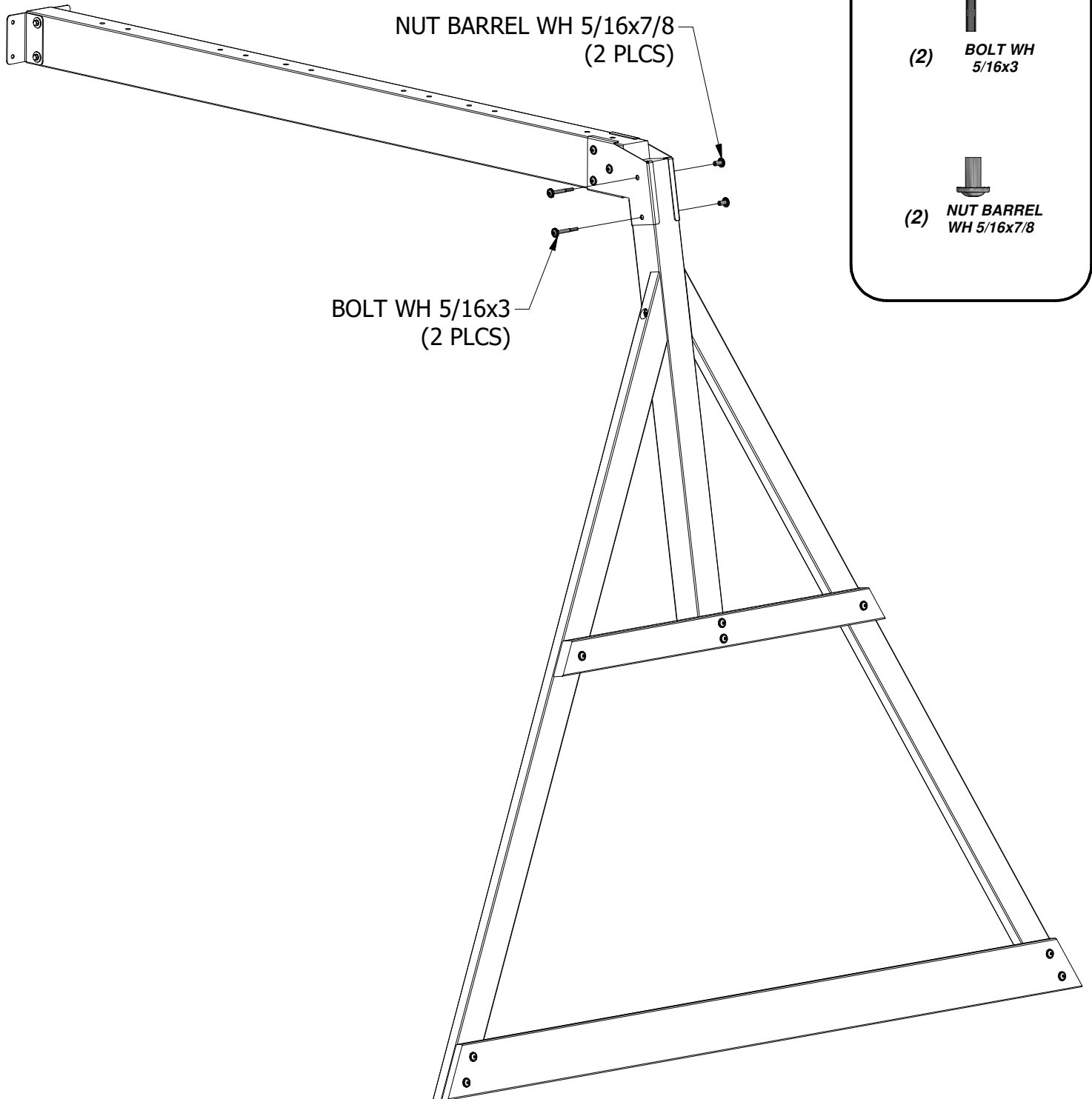


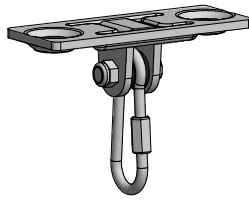
(1) **G50 - GROUND BOARD - W100947**  
1"x5 1/4"x86 3/4" (24x134x2202)

## SWING BEAM ASSEMBLY STEP 2



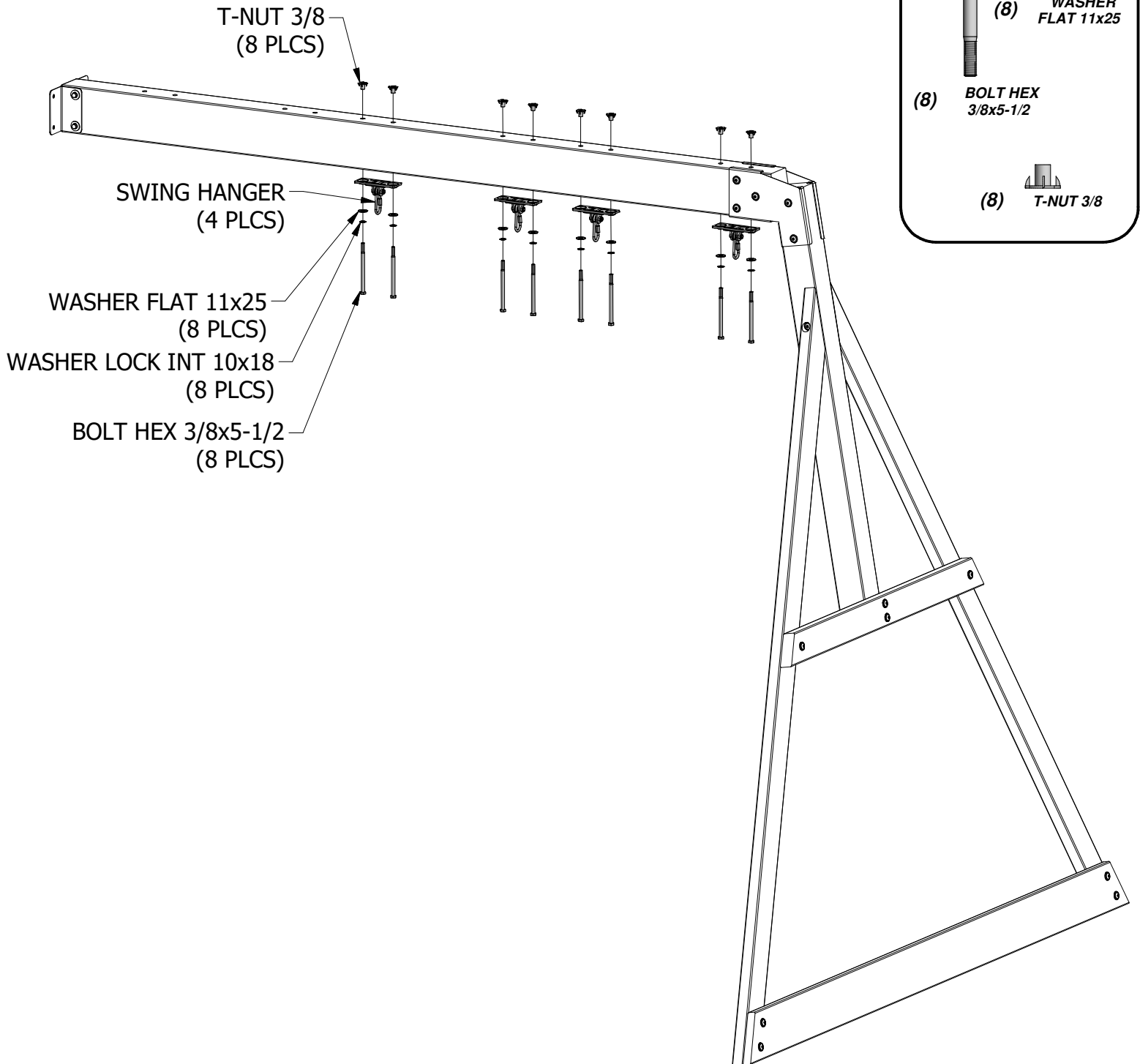
**SWING BEAM ASSEMBLY  
STEP 3**

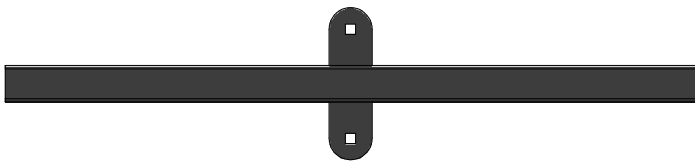




(4) SWING HANGER - A4M00505

### SWING BEAM ASSEMBLY STEP 4





(2) - GLIDER SUPPORT BYD GREEN - A100065



(4) - 6" SWING HANGER QUICK LINK - H100097



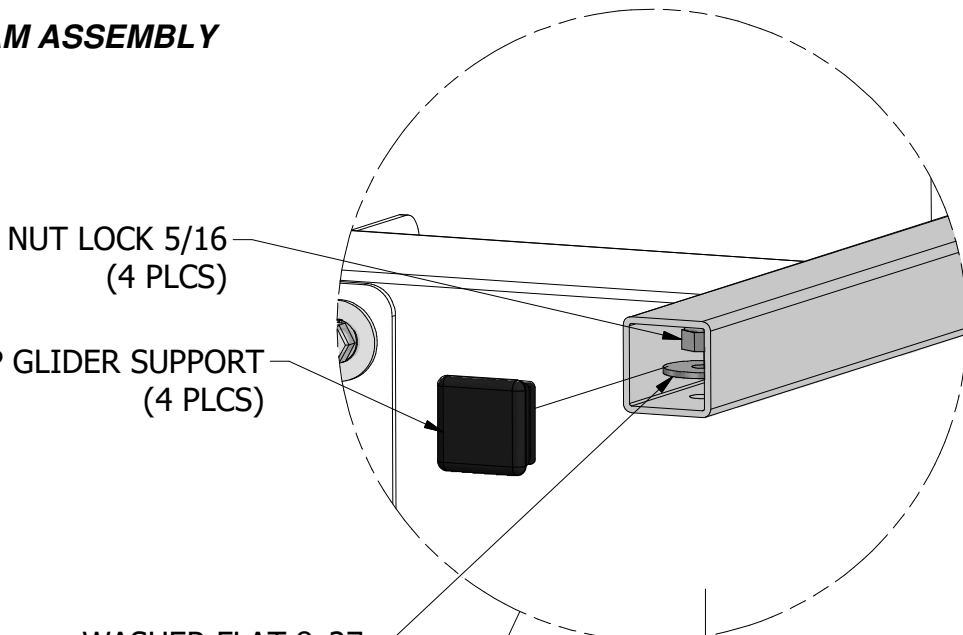
(4) EY - TUBING CAP GLIDER SUPPORT - A100067



(4) - GLIDER BUSHING BYD GREEN - A100066

### SWING BEAM ASSEMBLY STEP 5

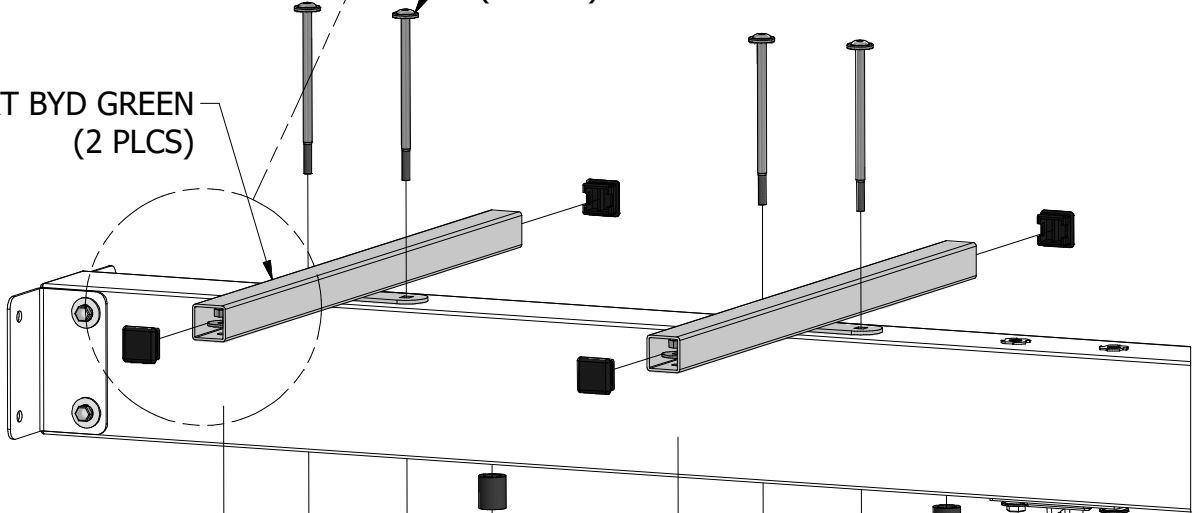
NUT LOCK 5/16  
(4 PLCS)  
TUBING CAP GLIDER SUPPORT  
(4 PLCS)



WASHER FLAT 8x27  
(4 PLCS)

BOLT WH 5/16x5 3/4  
(4 PLCS)

GLIDER SUPPORT BYD GREEN  
(2 PLCS)



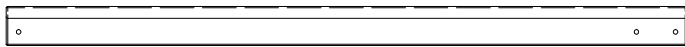
GLIDER BUSHING BYD GREEN  
(4 PLCS)

6" SWING HANGER QUICK LINK  
(4 PLCS)

WASHER FLAT 8x27  
(4 PLCS)

NUT LOCK 5/16  
(4 PLCS)

(4) BOLT WH 5/16x5 3/4  
(8) NUT LOCK 5/16  
(8) WASHER FLAT 8x27



(1) **E2 - RIGHT UPRIGHT - W4L04463**  
1 3/8"x3 3/8"x59" (36x86x1500)

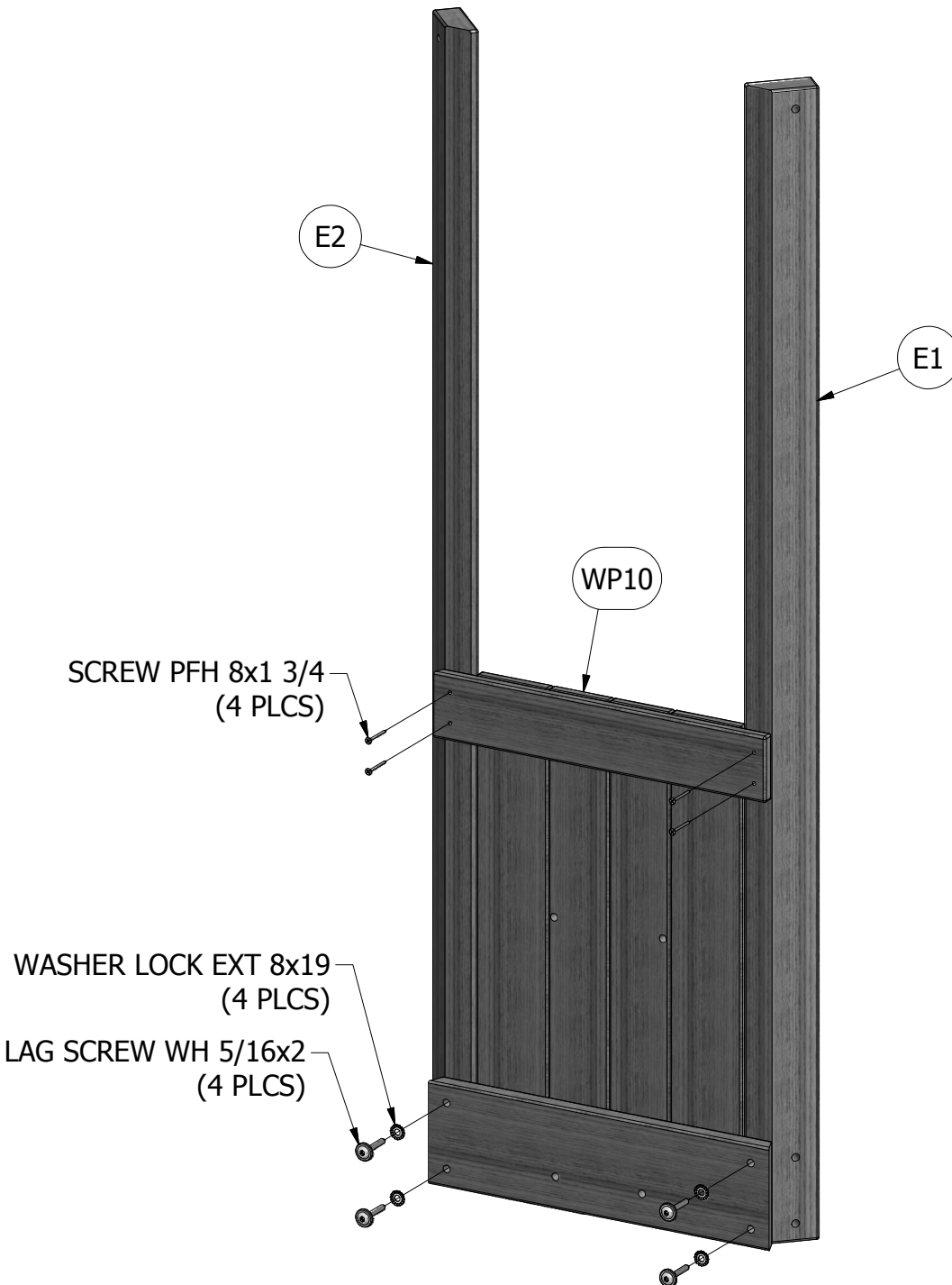


(1) **E1 - LEFT UPRIGHT - W4L04458**  
1 3/8"x3 3/8"x59" (36x86x1500)



(1) **WP10 - LEFT WALL PANEL - W2A01470**  
1 5/8"x19"x26 1/8" (40x482x664)

### FORT ASSEMBLY STEP 1



(4) **LAG SCREW**  
WH 5/16x2

(4) **SCREW PFH**  
8x1 3/4

(4) **WASHER**  
LOCK EXT  
8x19




(1) **G2 - GROUND BOARD - W4L04459**  
1"x5 1/4"x22 3/8" (24x134x570)




(1) **G3 - GROUND BOARD - W4L04541**  
1"x5 1/4"x22 3/8" (24x134x570)


**FORT ASSEMBLY**  
**STEP 2**



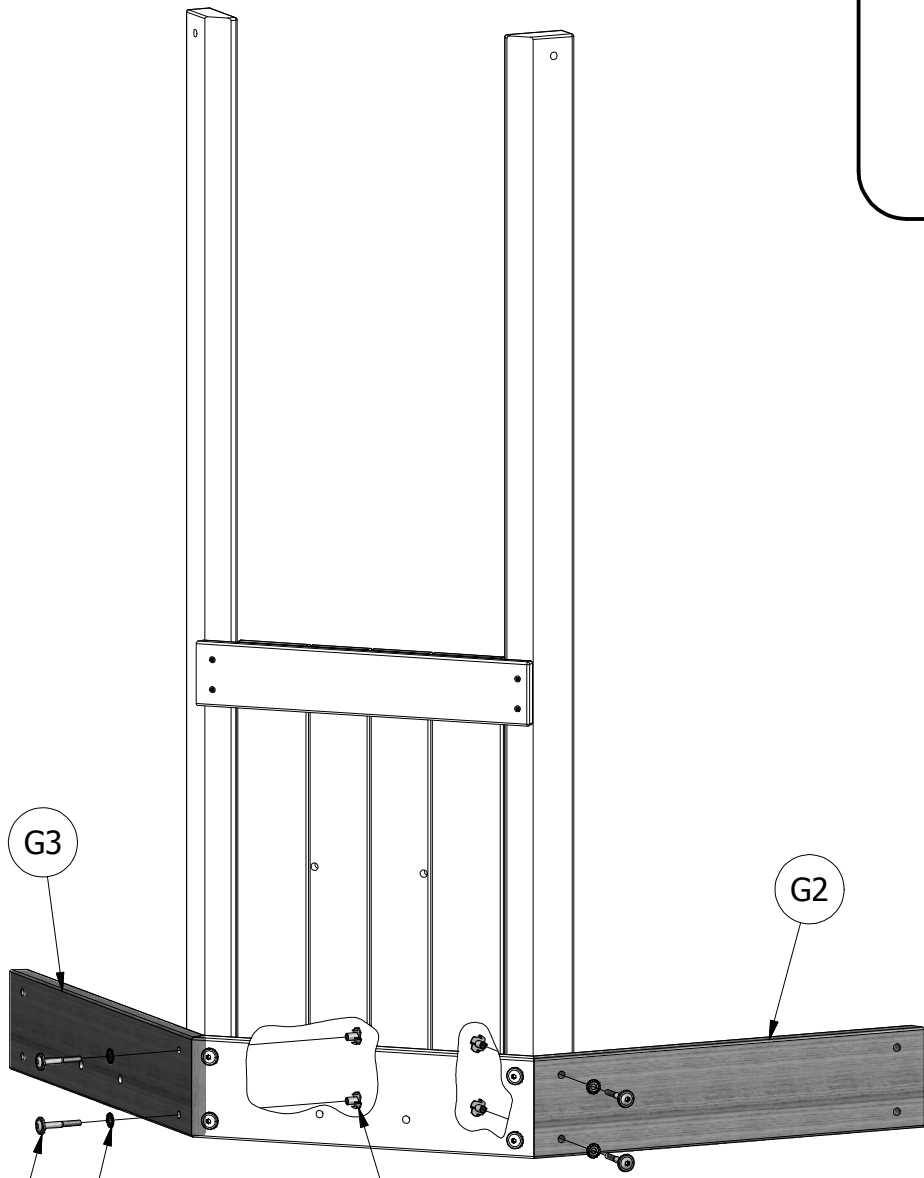
(4) **BOLT WH**  
5/16x2 1/4



(4) **T-NUT** 5/16



(4) **WASHER**  
**LOCK EXT**  
8x19



**BOLT WH** 5/16x2 1/4  
(4 PLCS)

**WASHER LOCK EXT** 8x19  
(4 PLCS)

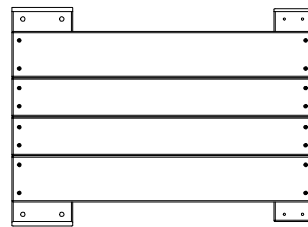
**T-NUT** 5/16  
(4 PLCS)



(1) E1 - LEFT UPRIGHT - W4L04458  
1 3/8"x3 3/8"x59" (36x86x1500)

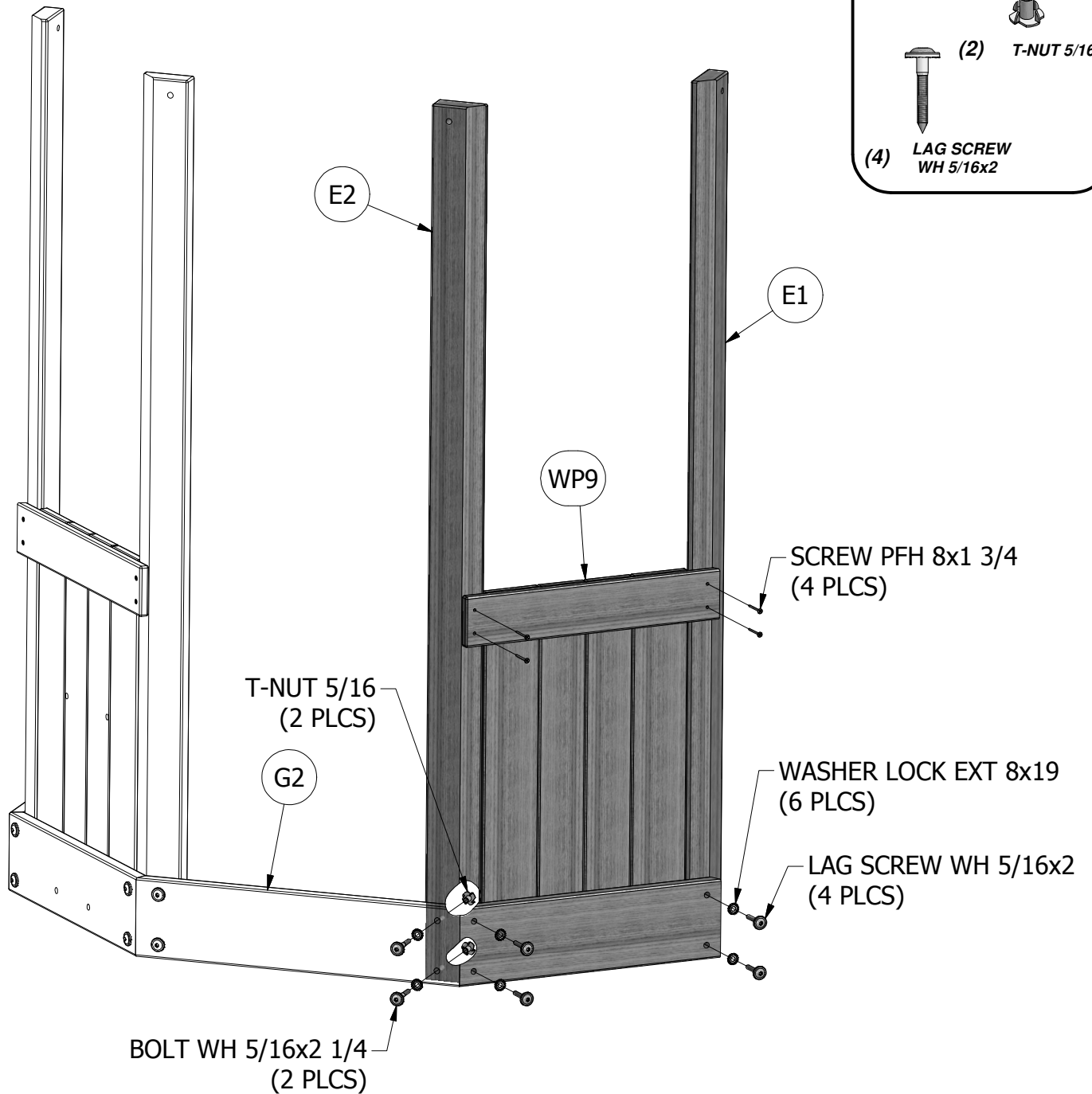
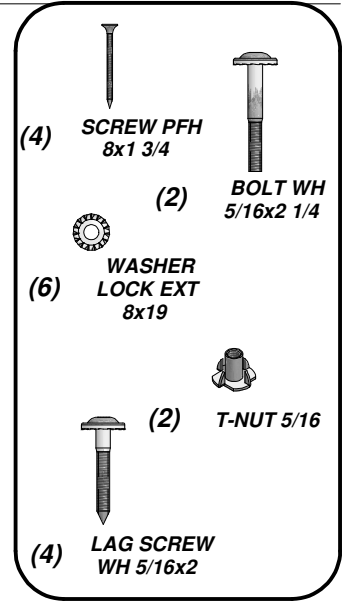


(1) E2 - RIGHT UPRIGHT - W4L04463  
1 3/8"x3 3/8"x59" (36x86x1500)



(1) WP9 - RIGHT WALL PANEL - W2A01410  
1 5/8"x19"x26 1/8" (40x482x664)

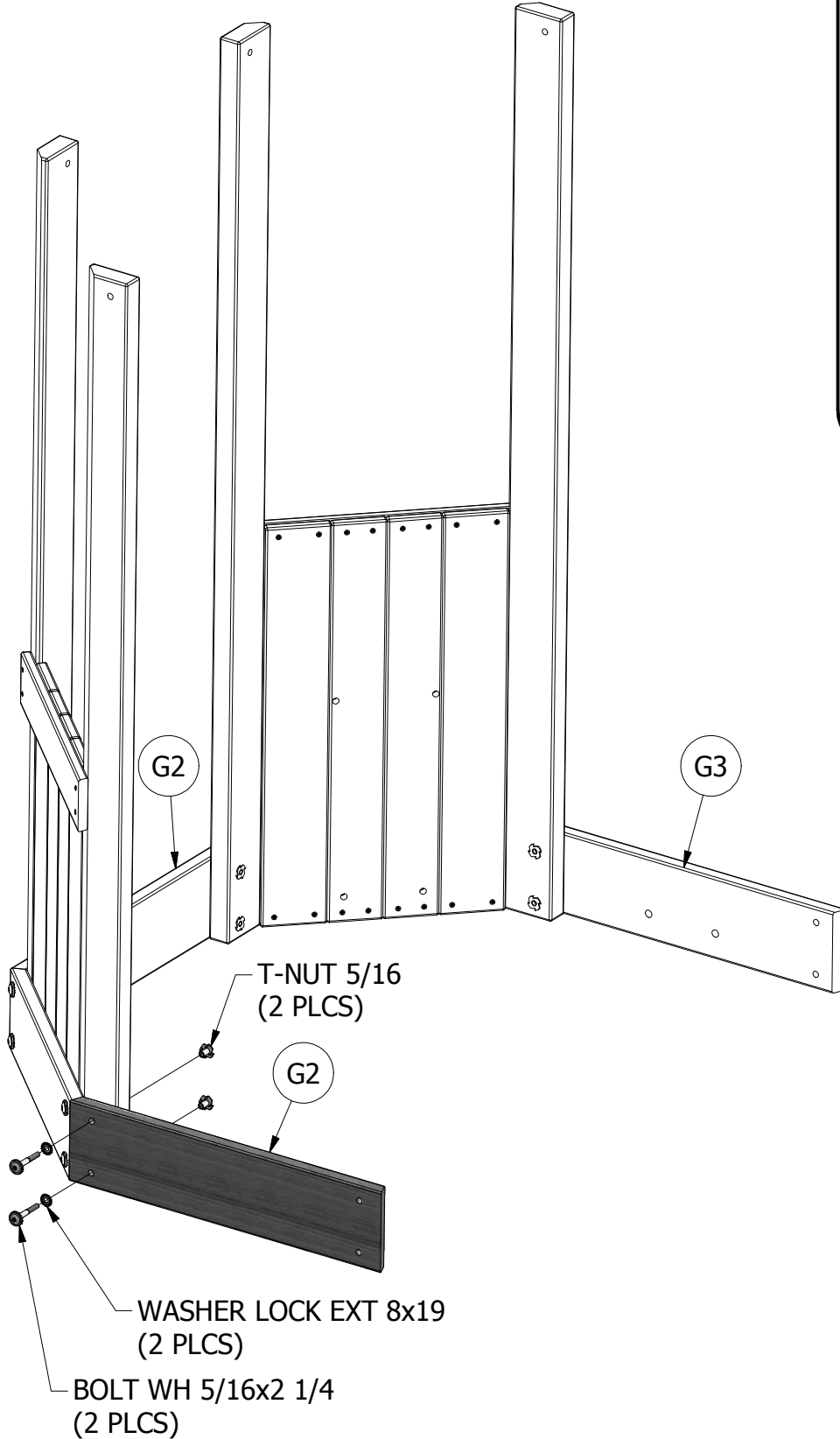
### FORT ASSEMBLY STEP 3





(1) **G2 - GROUND BOARD - W4L04459**  
1"x5 1/4"x22 3/8" (24x134x570)

**FORT ASSEMBLY**  
**STEP 4**



(2) **BOLT WH**  
5/16x2 1/4

(2) **WASHER**  
**LOCK EXT**  
8x19

(2) **T-NUT 5/16**



(1) **E1 - LEFT UPRIGHT - W4L04458**  
1 3/8"x3 3/8"x59" (36x86x1500)

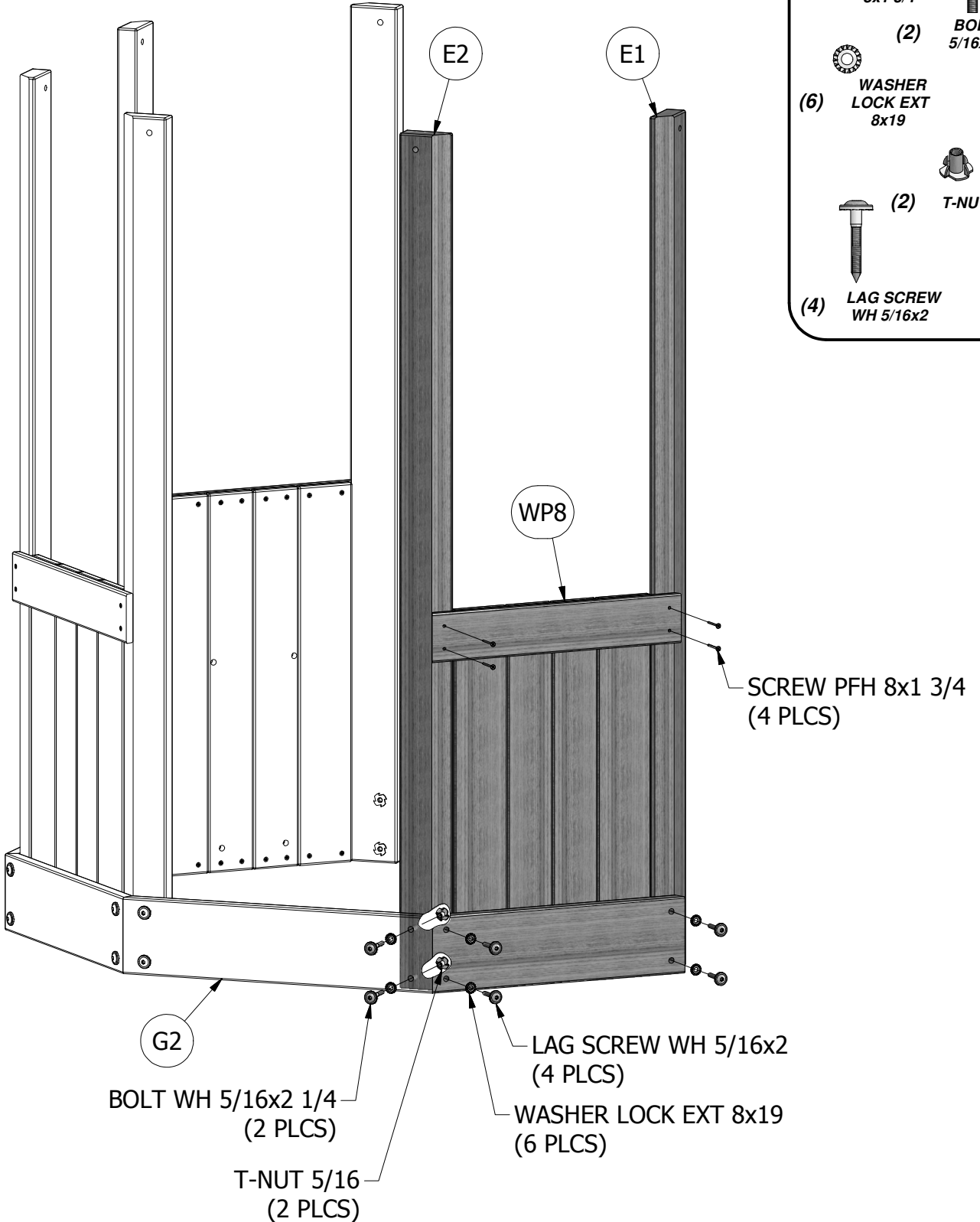


(1) **E2 - RIGHT UPRIGHT - W4L04463**  
1 3/8"x3 3/8"x59" (36x86x1500)



(1) **WP8 - WALL PANEL - W2A01409**  
1 5/8"x19"x26 1/8" (40x482x664)

### FORT ASSEMBLY STEP 5



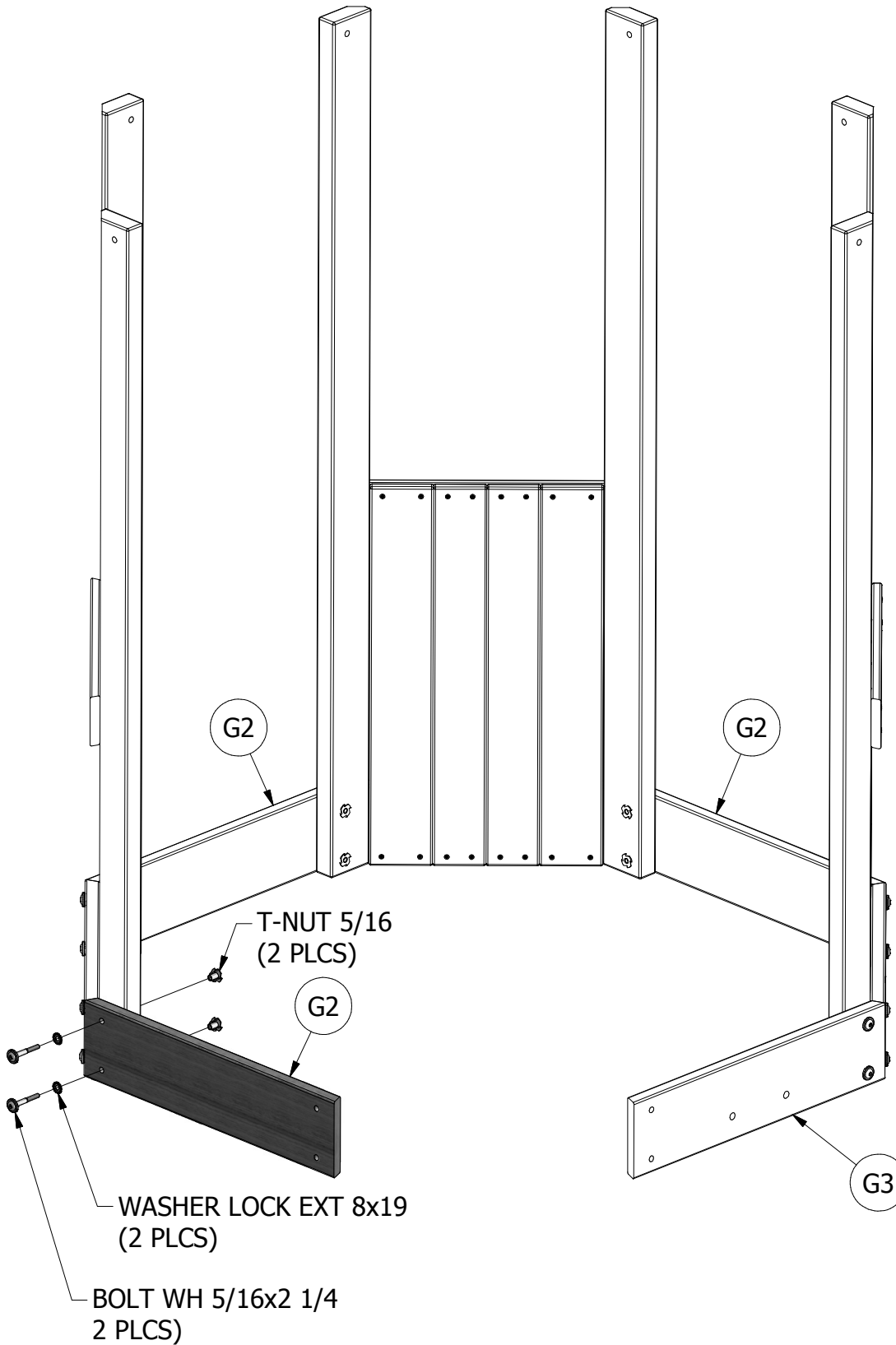
**Hardware List:**

- (4) SCREW PFH 8x1 3/4
- (2) BOLT WH 5/16x2 1/4
- (6) WASHER LOCK EXT 8x19
- (2) T-NUT 5/16
- (4) LAG SCREW WH 5/16x2



(1) **G2 - GROUND BOARD - W4L04459**  
1"x5 1/4"x22 3/8" (24x134x570)

**FORT ASSEMBLY**  
**STEP 6**



(2) **BOLT WH**  
5/16x2 1/4

(2) **WASHER**  
**LOCK EXT**  
8x19

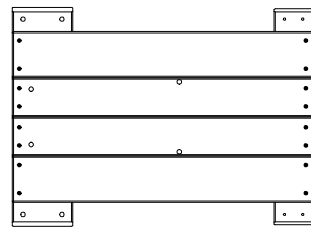
(2) **T-NUT** 5/16



(1) **E1 - LEFT UPRIGHT - W4L04458**  
1 3/8"x3 3/8"x59" (36x86x1500)

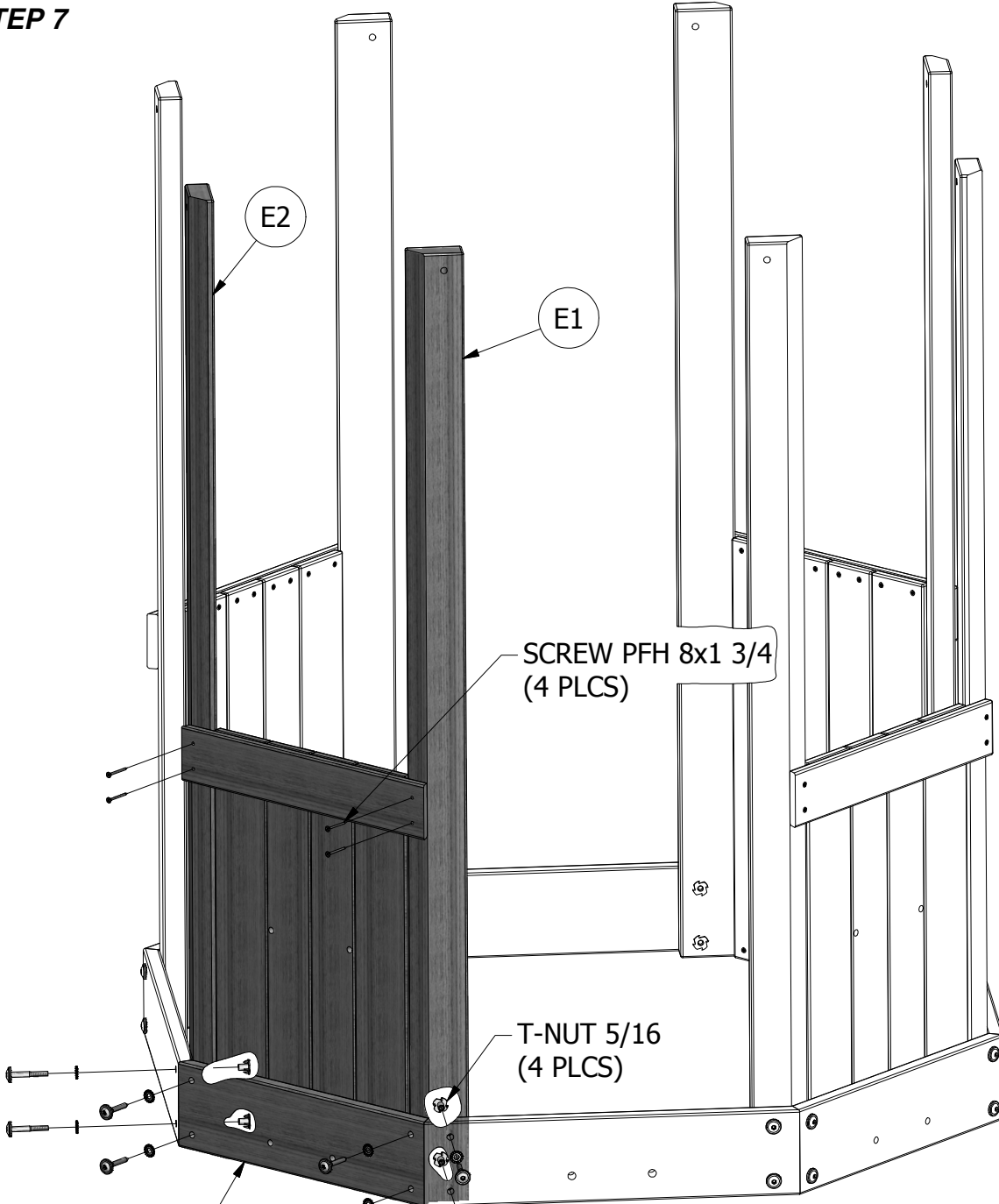


(1) **E2 - RIGHT UPRIGHT - W4L04463**  
1 3/8"x3 3/8"x59" (36x86x1500)



(1) **WP12 - WALL PANEL - W2A01480**  
1 5/8"x19"x26 1/8" (40x482x664)

### FORT ASSEMBLY STEP 7



(4) **BOLT WH 5/16x2 1/4**

(4) **LAG SCREW WH 5/16x2**

(8) **WASHER LOCK EXT 8x19**

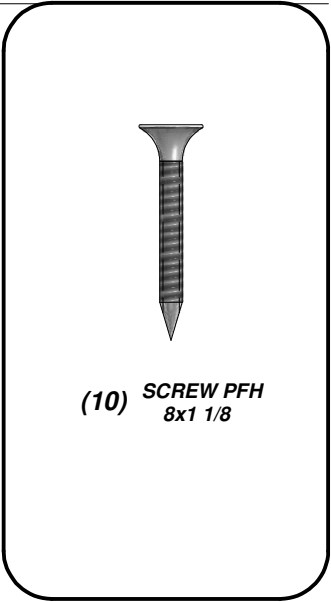
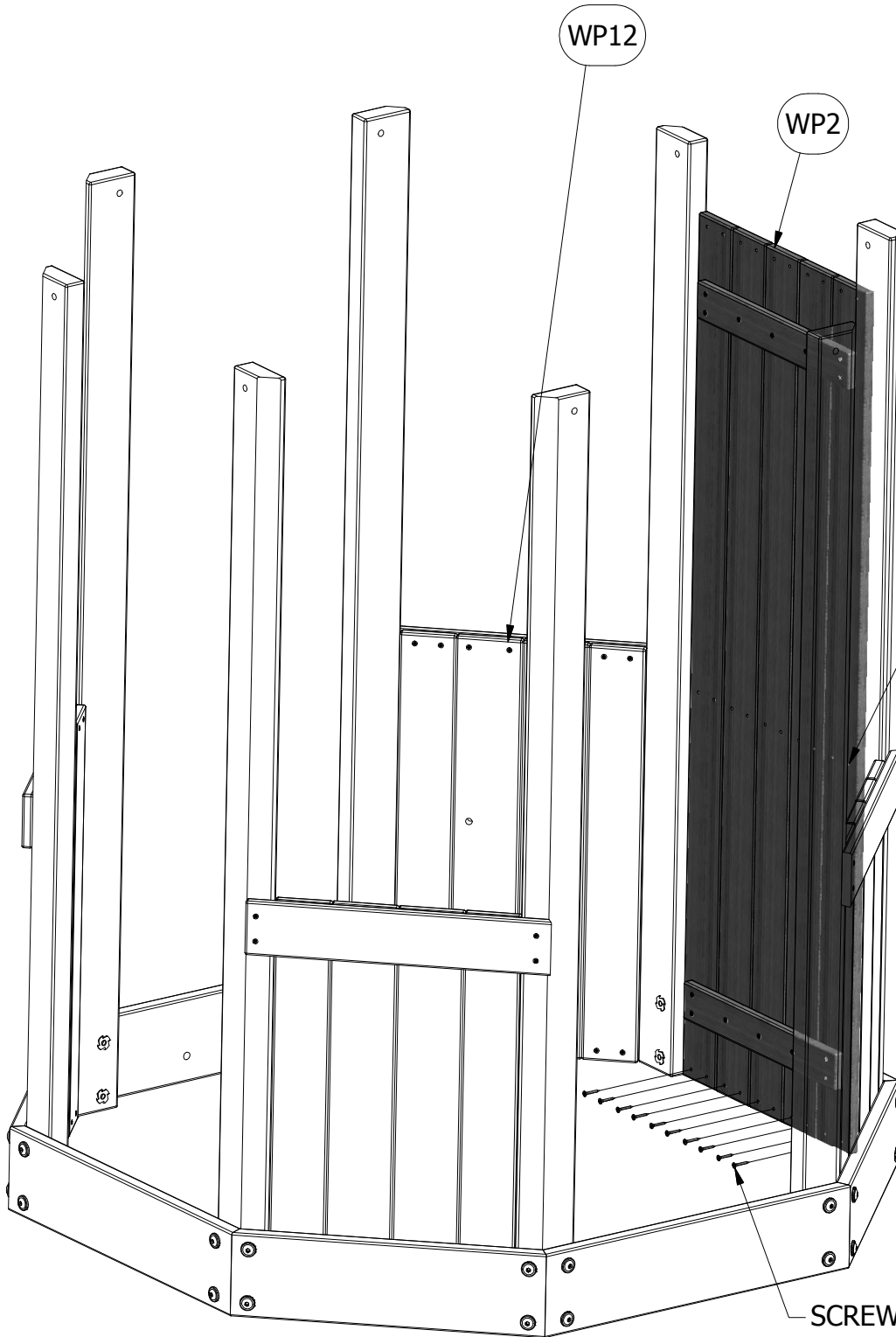
(4) **T-NUT 5/16**

(4) **SCREW PFH 8x1 3/4**



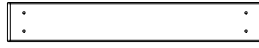
(1) WP2 - WALL PANEL - W2A01408  
1 1/4"x16 7/8"x54 1/2" (32x430x1384)

**FORT ASSEMBLY  
STEP 8**



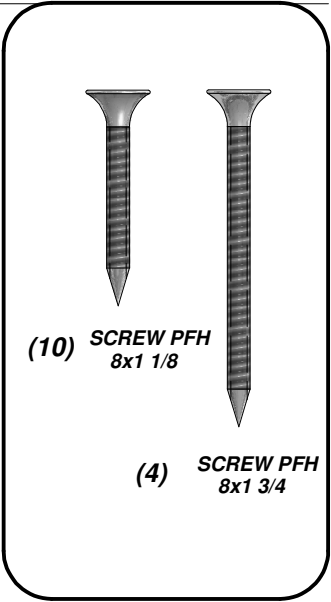
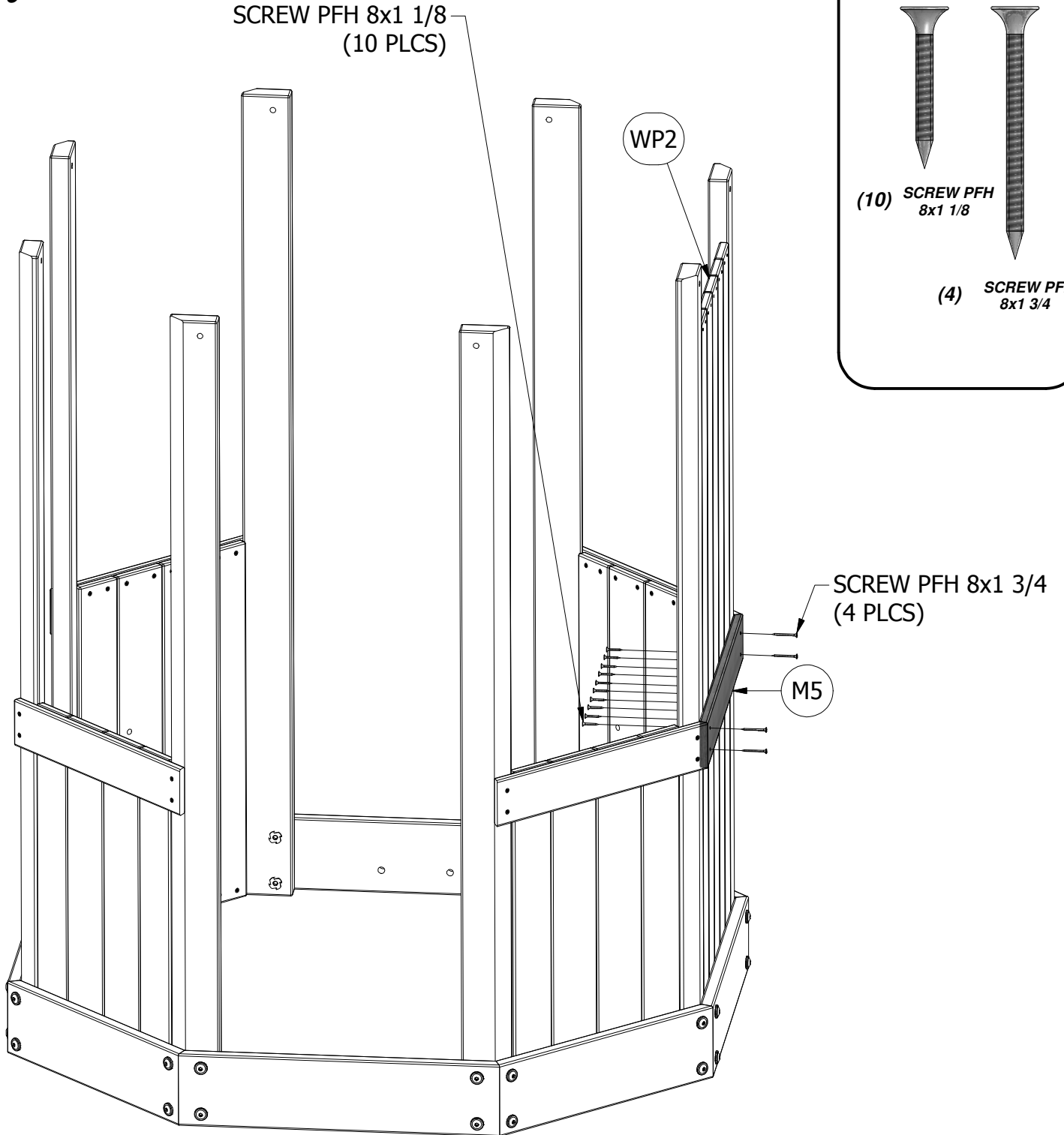
THESE HOLES ARE  
CLOSER TO THE  
BOTTOM

SCREW PFH 8x1 1/8  
(10 PLCS)



(1) M5 - WALL RAIL - W4L04465  
5/8"x3 3/8"x22" (16x86x563)

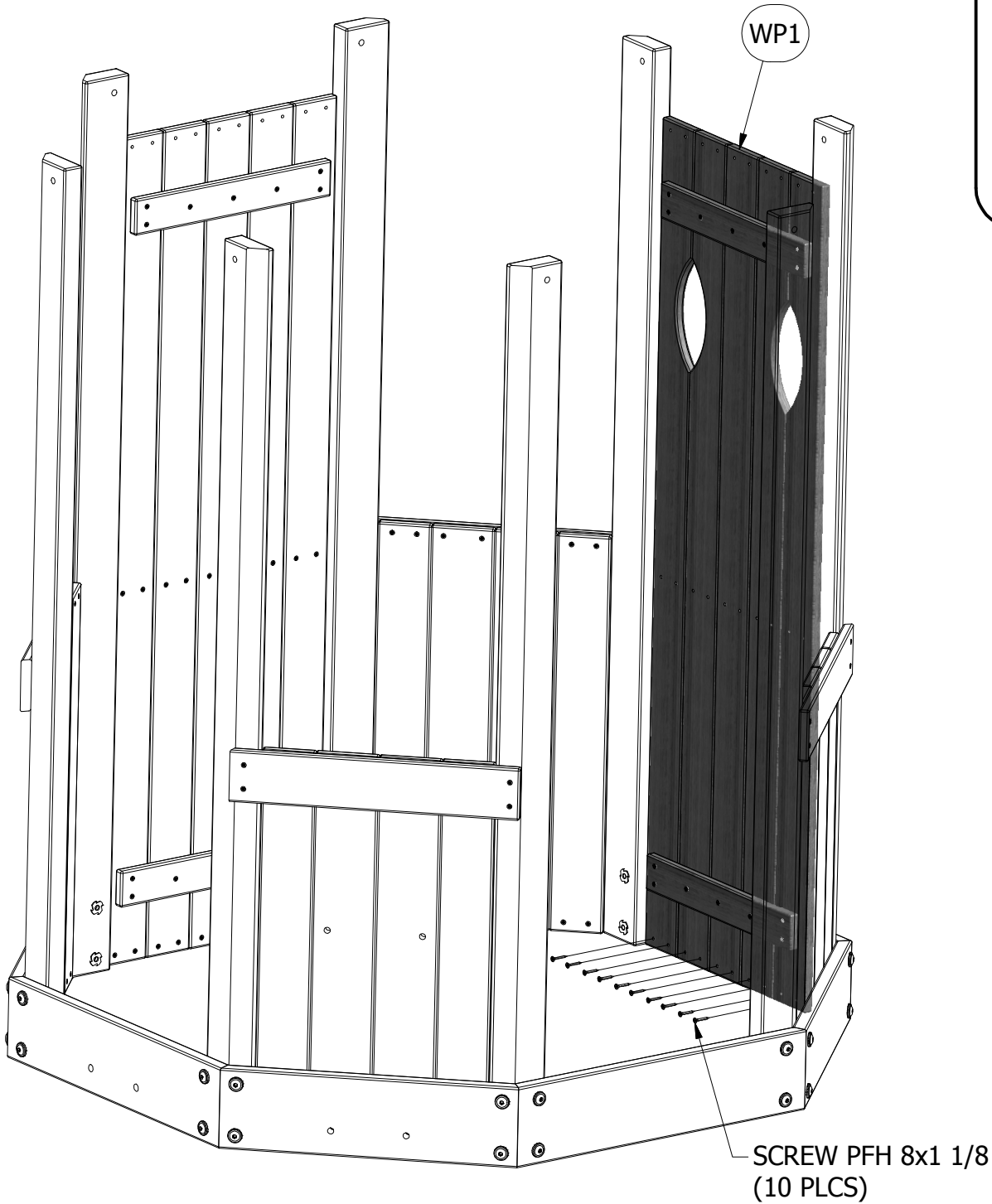
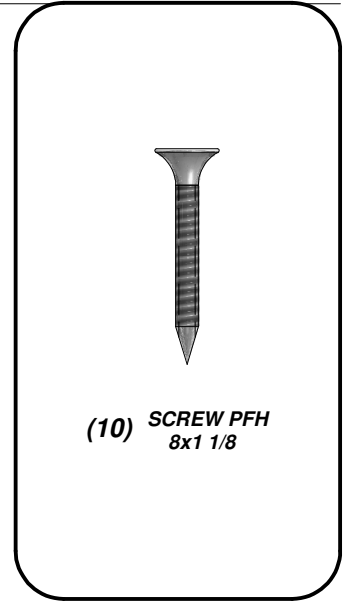
**FORT ASSEMBLY  
STEP 9**





(1) WP1 - WALL PANEL - W2A01407  
1 1/4"x16 7/8"x54 1/2" (32x430x1384)

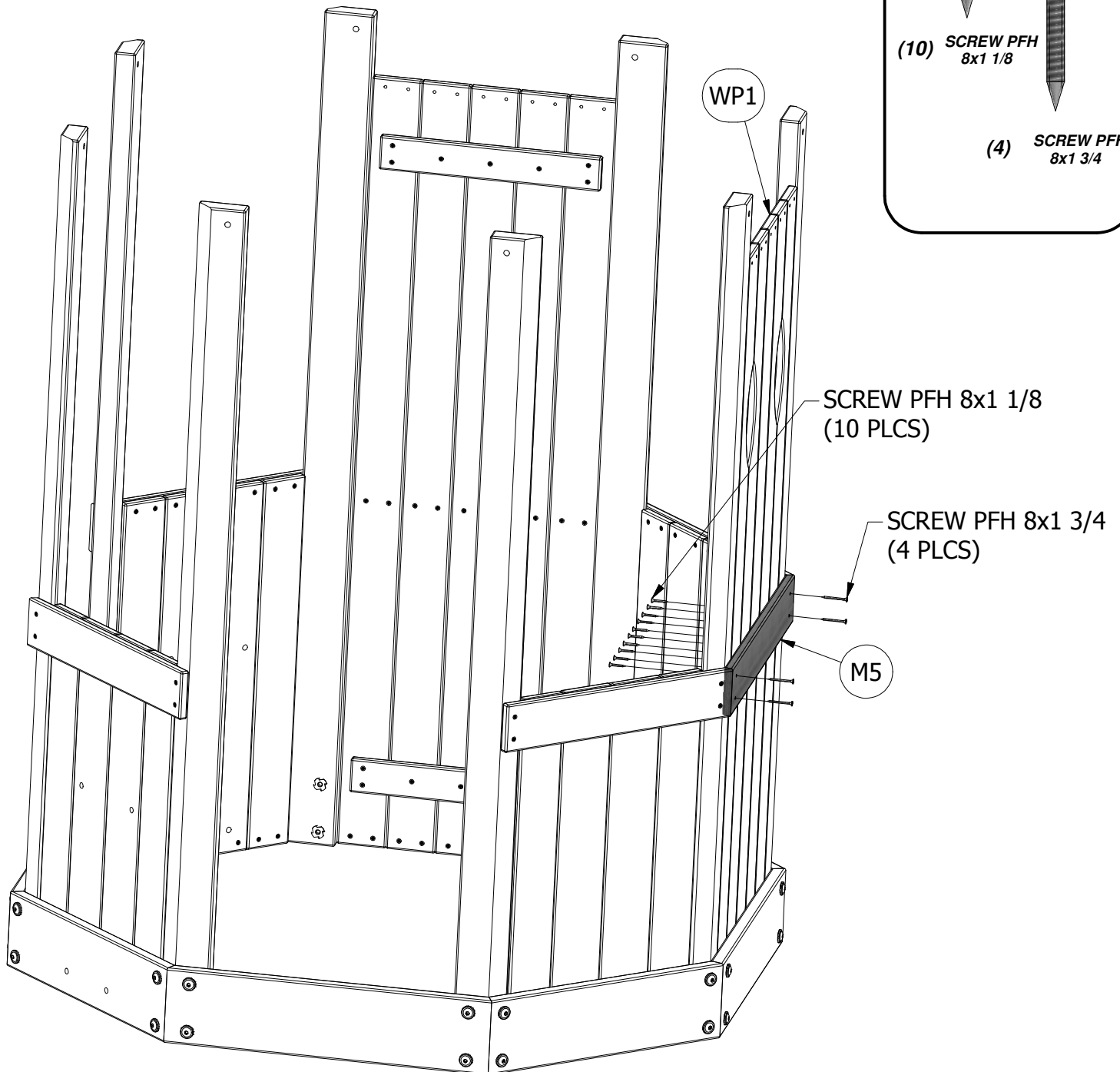
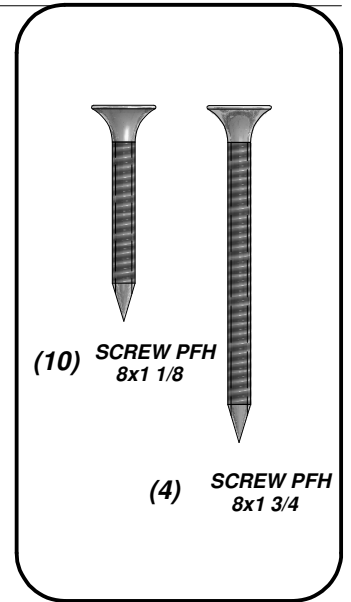
**FORT ASSEMBLY**  
**STEP 10**

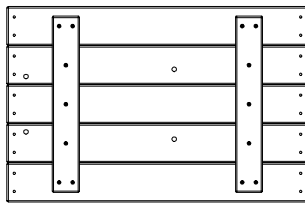




(1) **M5 - WALL RAIL - W4L04465**  
5/8"x3 3/8"x22" (16x86x563)

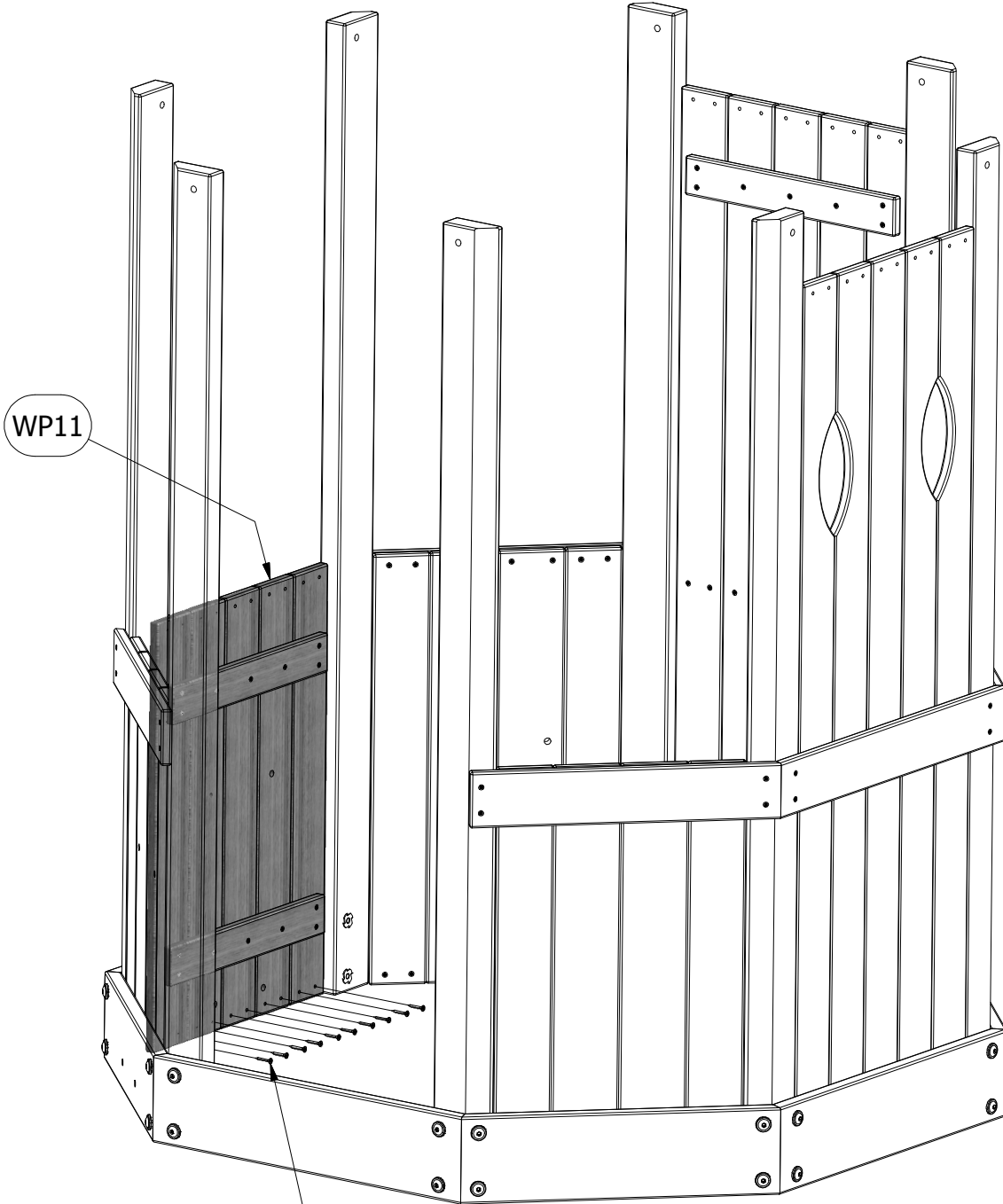
**FORT ASSEMBLY**  
**STEP 11**





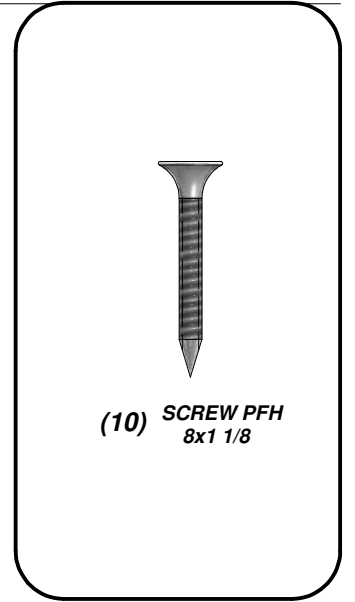
(1) WP11 - WALL PANEL - W2A01471  
1 1/4"x16 7/8"x26 1/8" (32x430x664)

**FORT ASSEMBLY  
STEP 12**



WP11

SCREW PFH 8x1 1/8  
(10 PLCS)

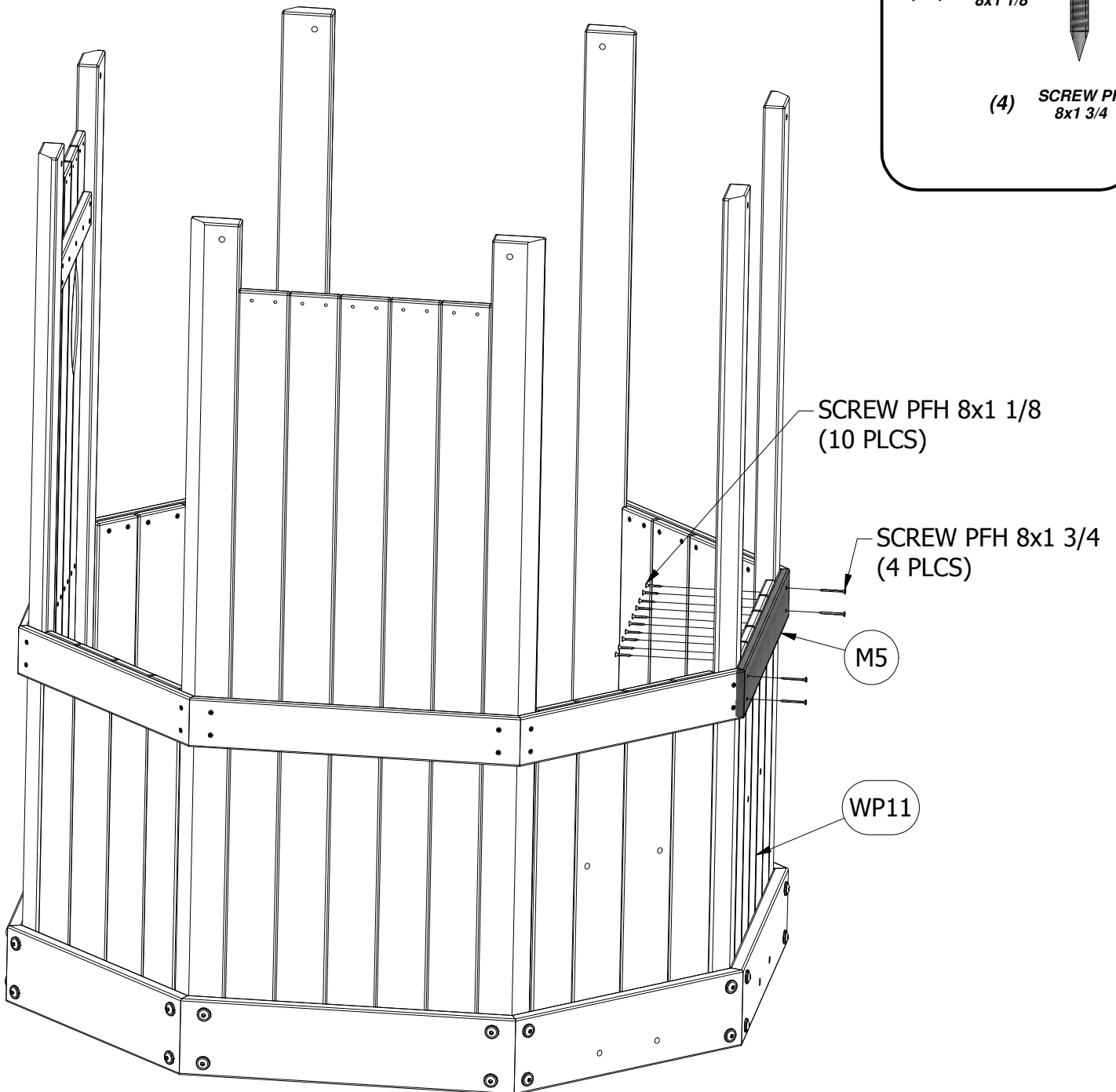
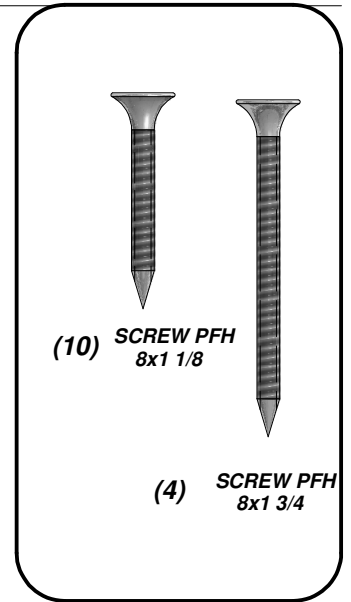


(10) SCREW PFH  
8x1 1/8



(1) **M5 - WALL RAIL - W4L04465**  
5/8"x3 3/8"x22" (16x86x563)

**FORT ASSEMBLY**  
**STEP 13**





(1) H12 - DECK RAIL - W4L04553  
1"x3 3/8"x72 3/8" (24x86x1838)

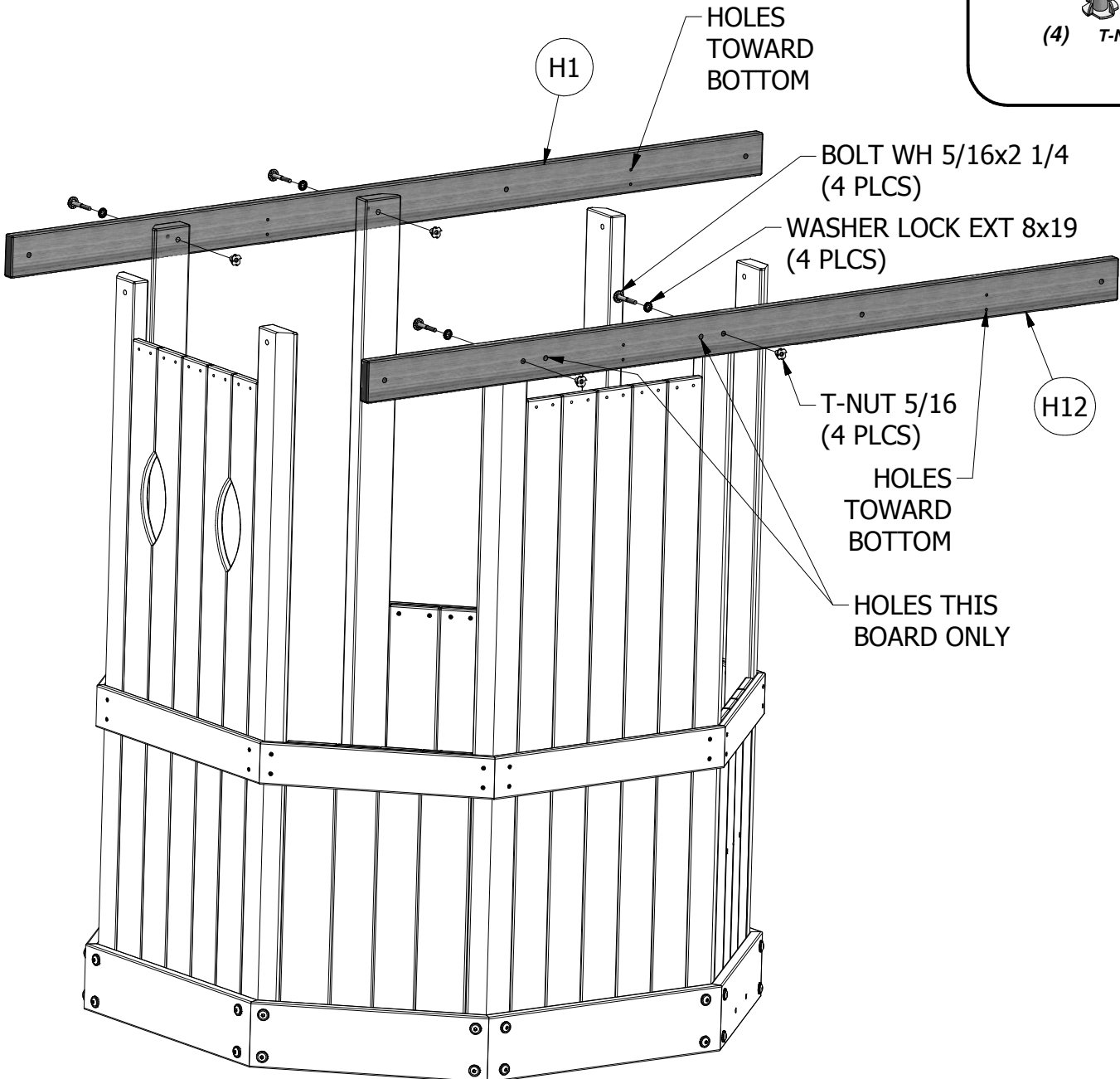
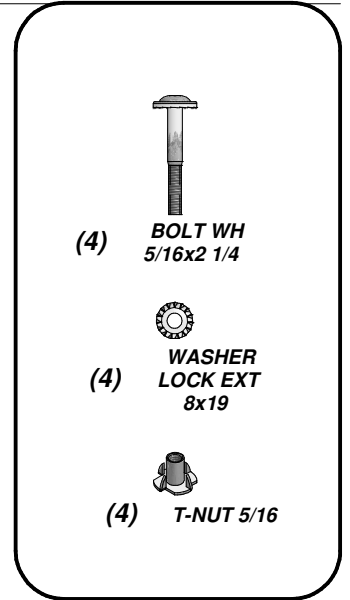


(1) H1 - DECK RAIL - W4L04461  
1"x3 3/8"x72 3/8" (24x86x1838)

### FORT ASSEMBLY STEP 14

NOTE CAREFULLY THE ORIENTATION OF THE T-NUTS.

NOTE SPECIAL HOLE LOCATION NOTES BELOW.





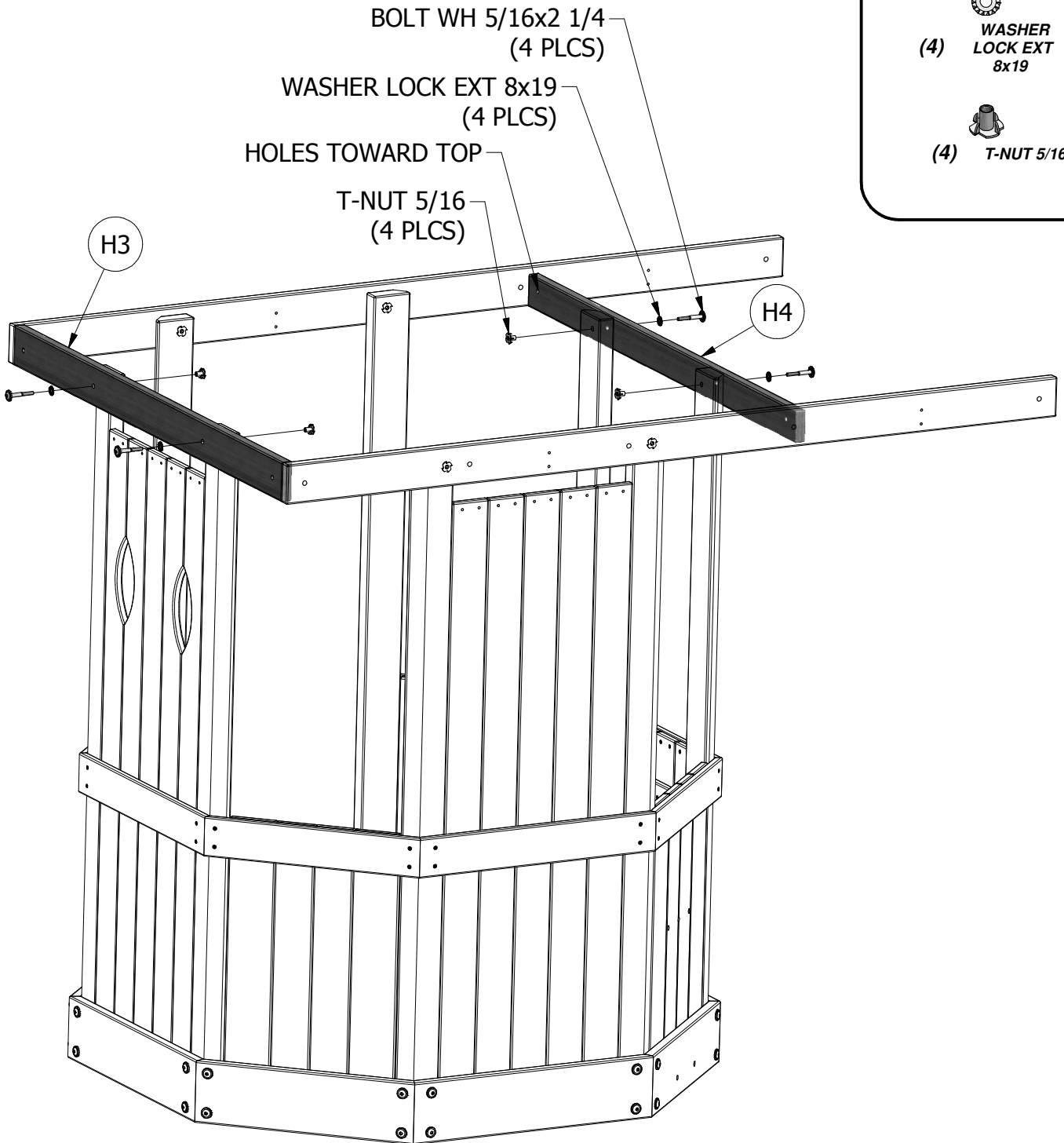
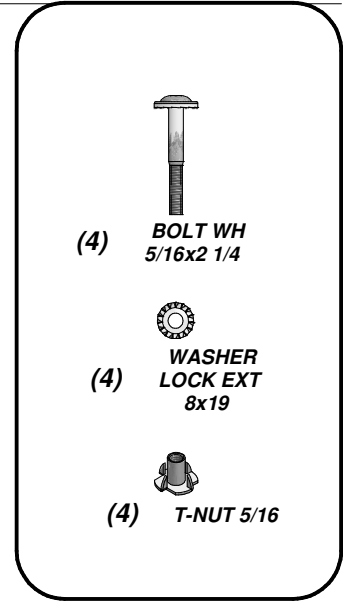
(1) **H3 - DECK RAIL - W4L04462**  
1"x3 3/8"x47 3/8" (24x86x1204)



(1) **H4 - FLOOR SUPPORT - W4L04470**  
1"x2 3/4"x47 3/8" (24x70x1204)

## FORT ASSEMBLY STEP 15

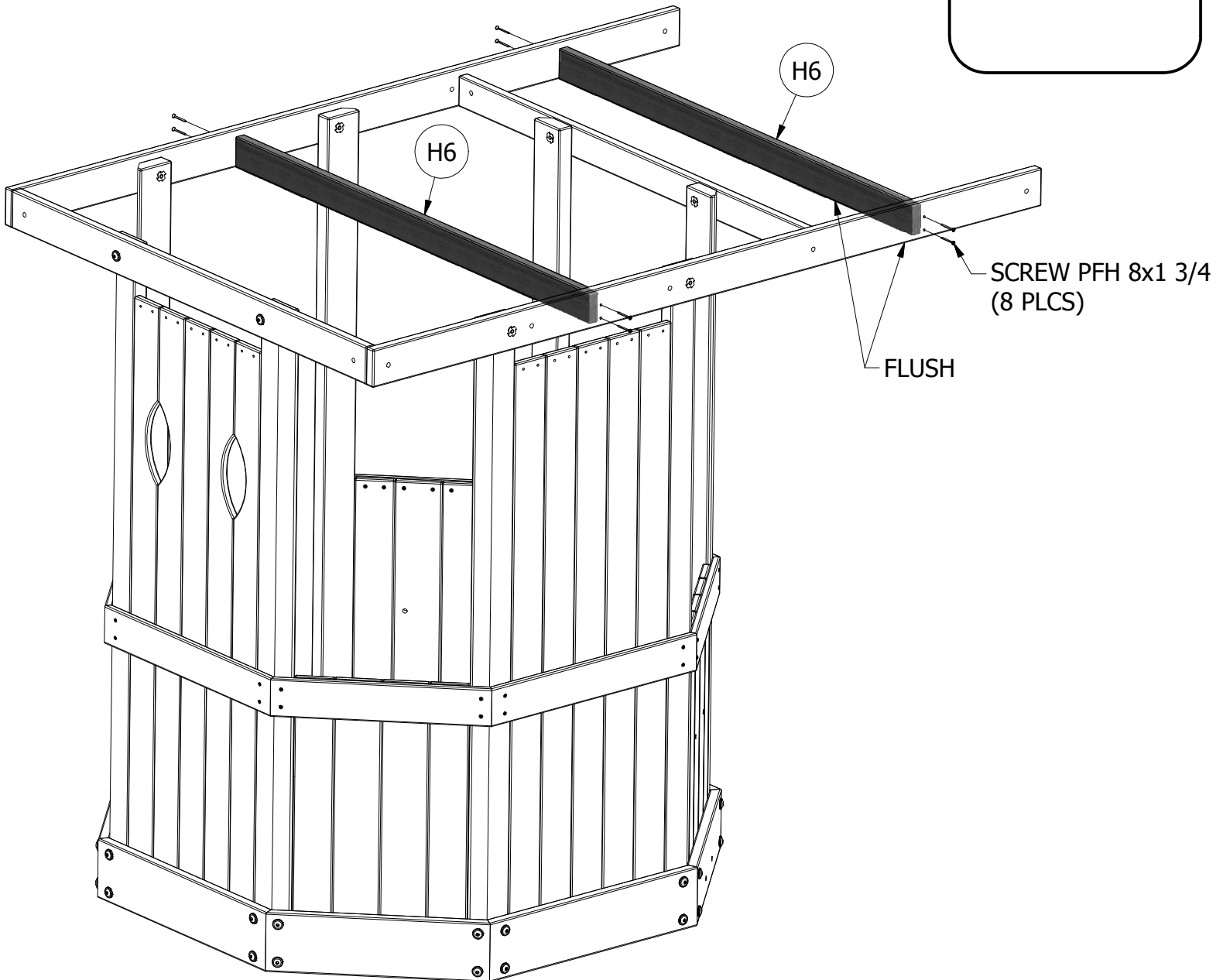
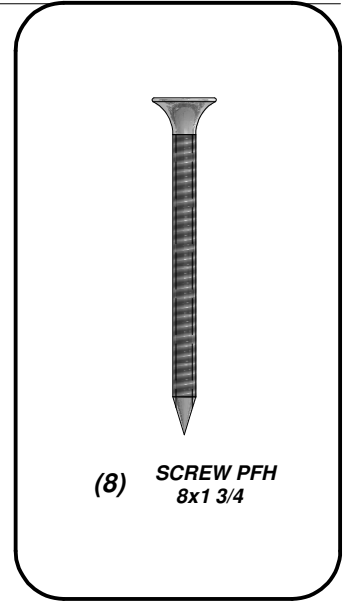
**NOTE HOLE ORIENTATION IN 'H4'.**





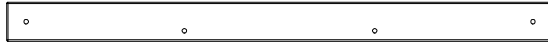
(2) **H6 - FLOOR JOIST - W4L04478**  
1"x2 3/4"x47 3/8" (24x70x1204)

**FORT ASSEMBLY**  
**STEP 16**



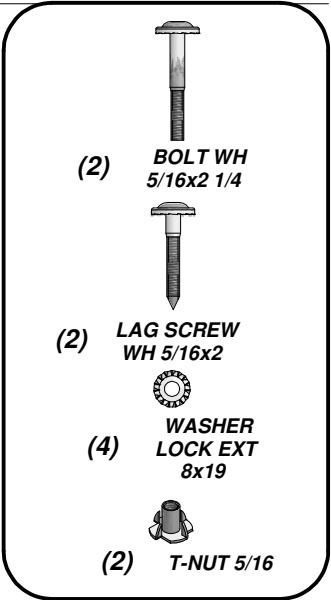
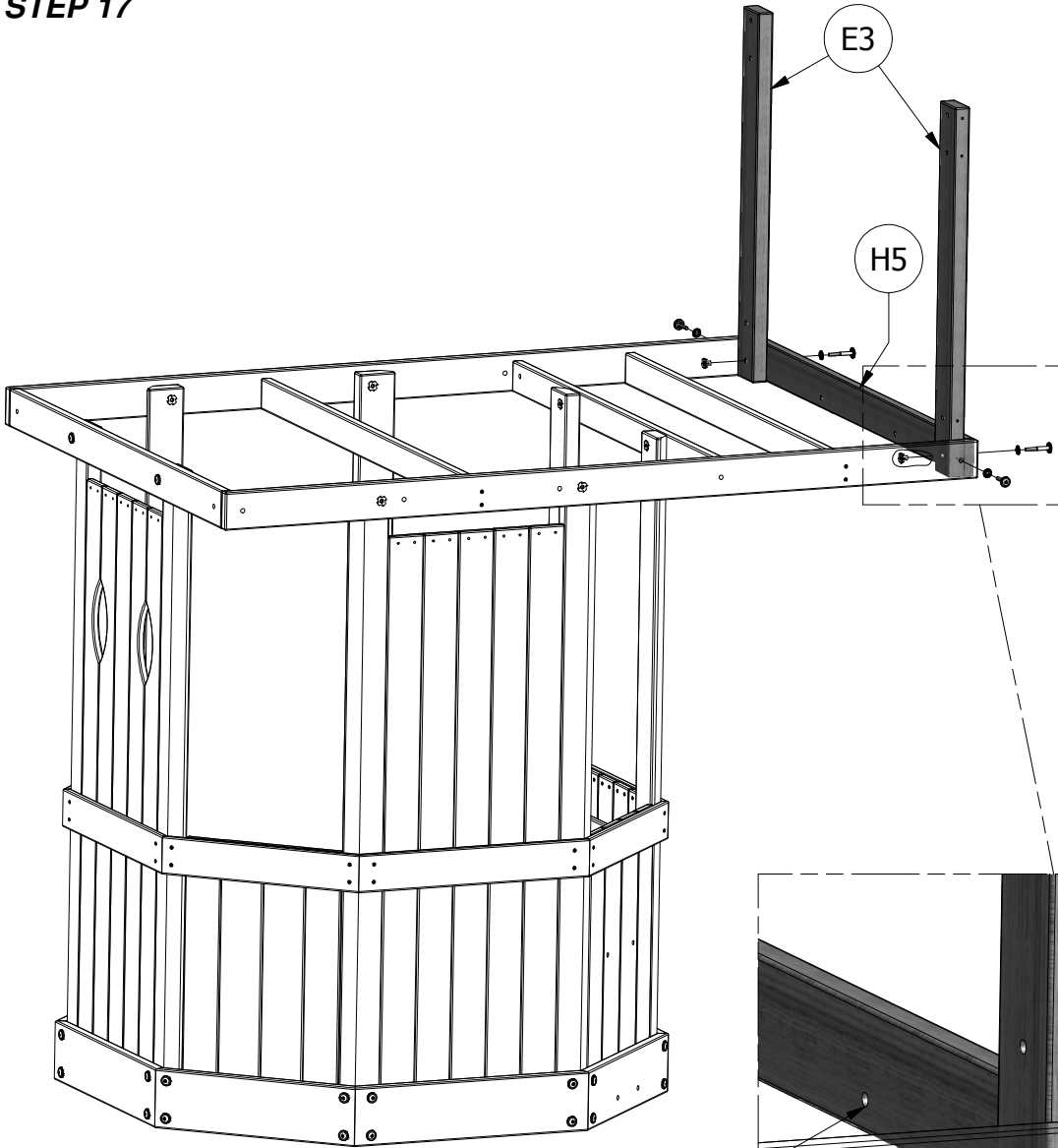


(2) **E3 - UPPER UPRIGHT - W4L04473**  
1 3/8"x3 3/8"x33 1/4" (36x86x844)



(1) **H5 - DECK RAIL - W4L04475**  
1"x3 3/8"x47 3/8" (24x86x1204)

**FORT ASSEMBLY**  
**STEP 17**



**BOLT WH 5/16x2 1/4**  
**(2 PLCS)**

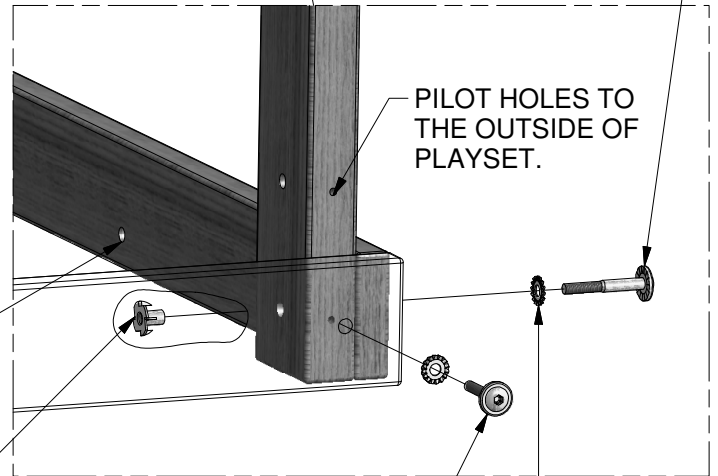
**PILOT HOLES TO THE OUTSIDE OF PLAYSET.**

**HOLES TO THE BOTTOM OF BOARD.**

**T-NUT 5/16**  
**(2 PLCS)**

**LAG SCREW WH 5/16x2**  
**(2 PLCS)**

**WASHER LOCK EXT 8x19**  
**(4 PLCS)**

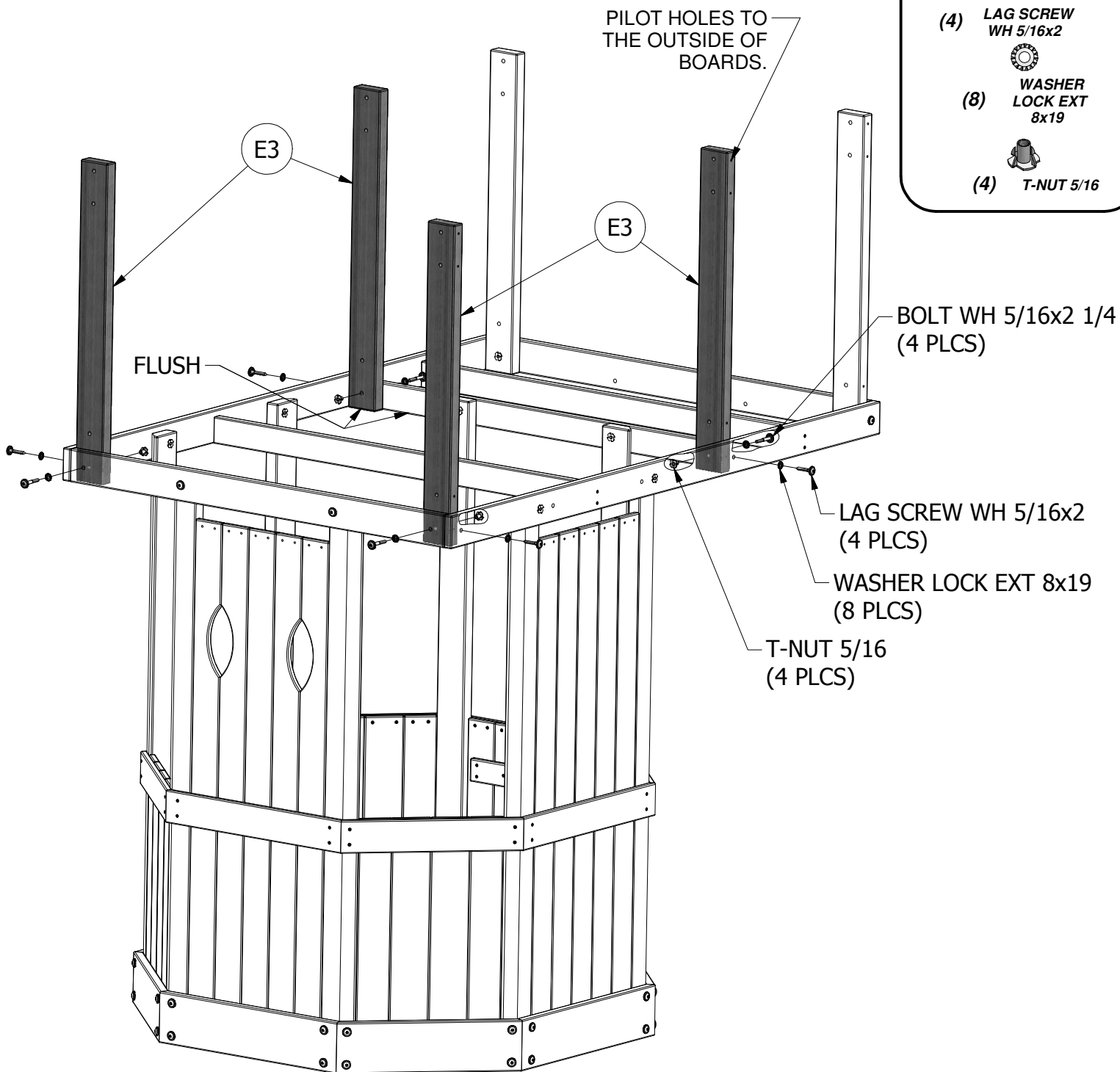




(4) **E3 - UPPER UPRIGHT - W4L04473**  
1 3/8"x3 3/8"x33 1/4" (36x86x844)

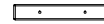
## FORT ASSEMBLY STEP 18

**MAKE SURE ALL 'E3' UPRIGHTS ARE FLUSH WITH THE  
BOTTOM OF THE FLOOR RAILS. SEE NOTE BELOW.**





(1) **T1 - FLOOR SUPPORT RAIL - W4L04474**  
 1"x1 3/8"x40 5/8" (24x34x1032)

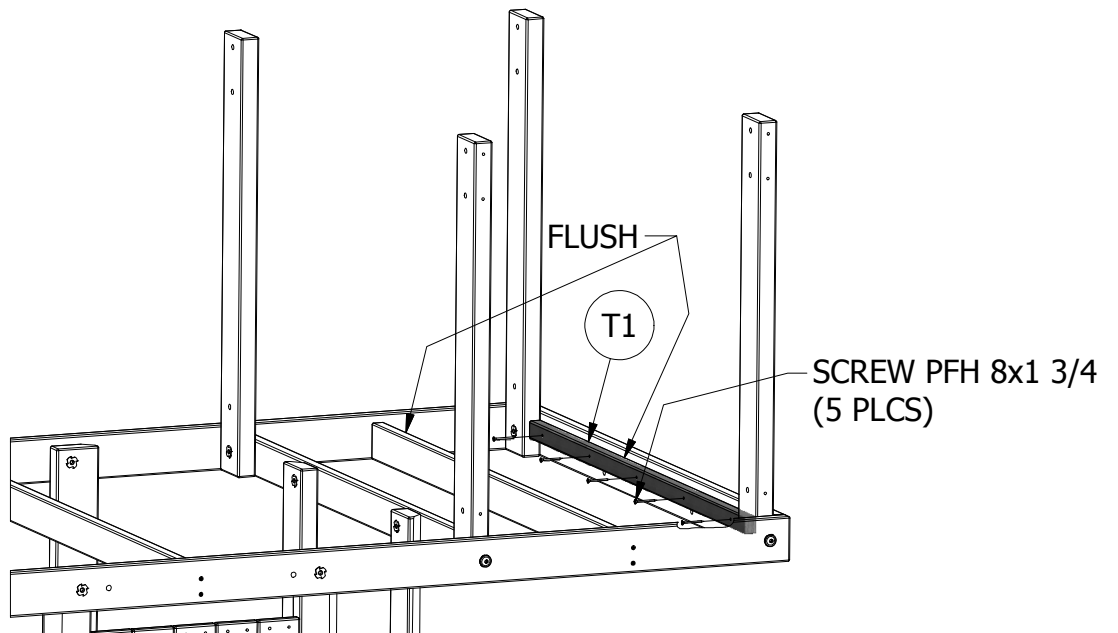
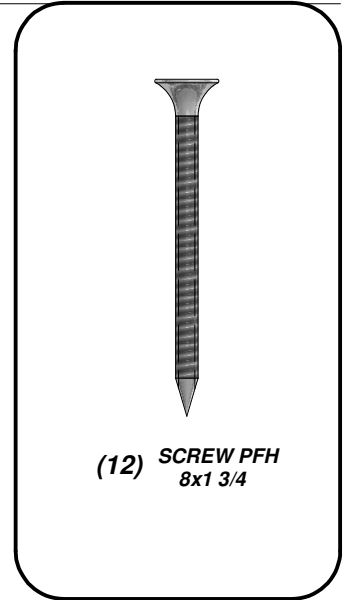
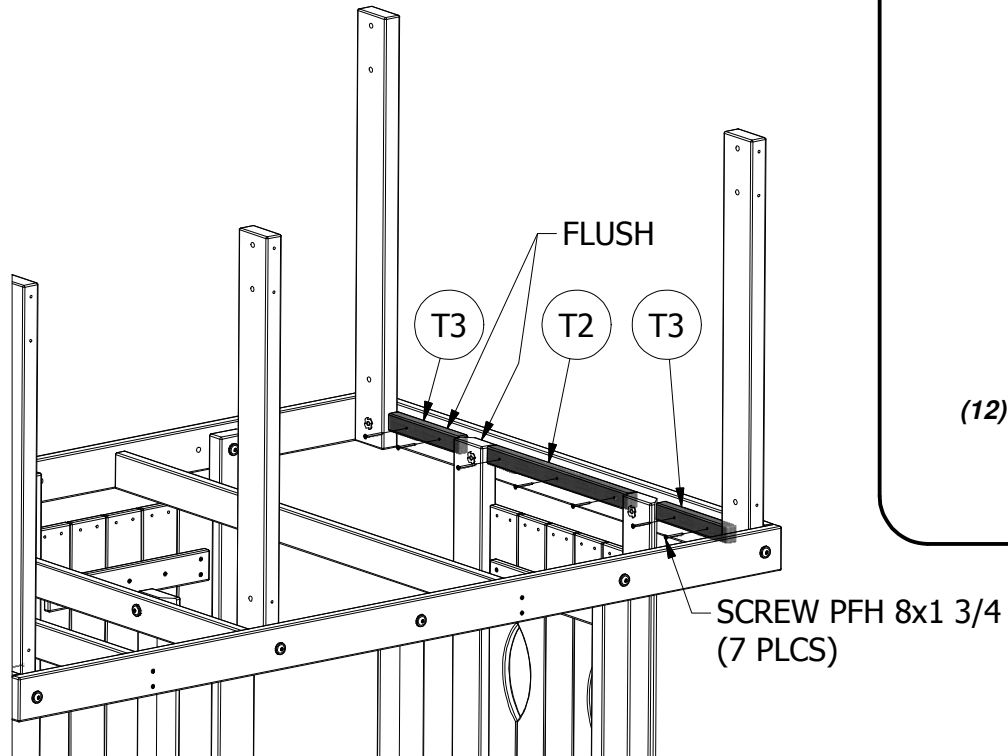


(2) **T3 - FLOOR SUPPORT RAIL - W4L04477**  
 1"x1 3/8"x8 1/2" (24x34x215)



(1) **T2 - FLOOR SUPPORT RAIL - W4L04476**  
 1"x1 3/8"x16 7/8" (24x34x430)

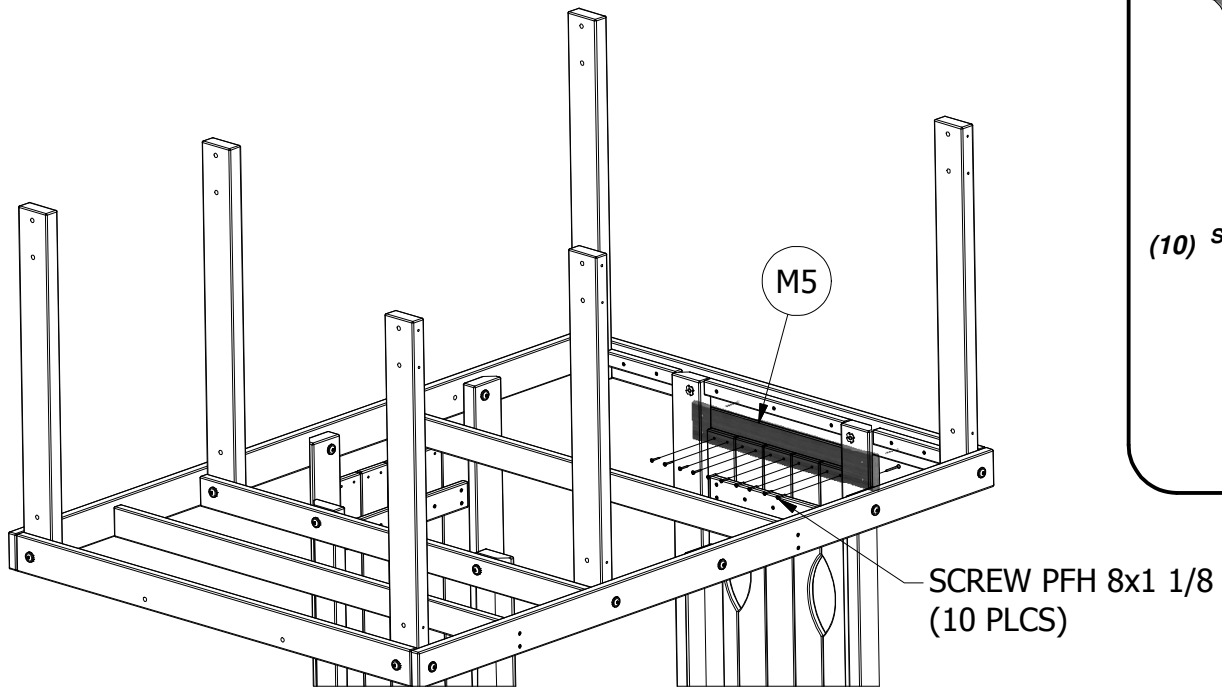
**FORT ASSEMBLY**  
**STEP 19**



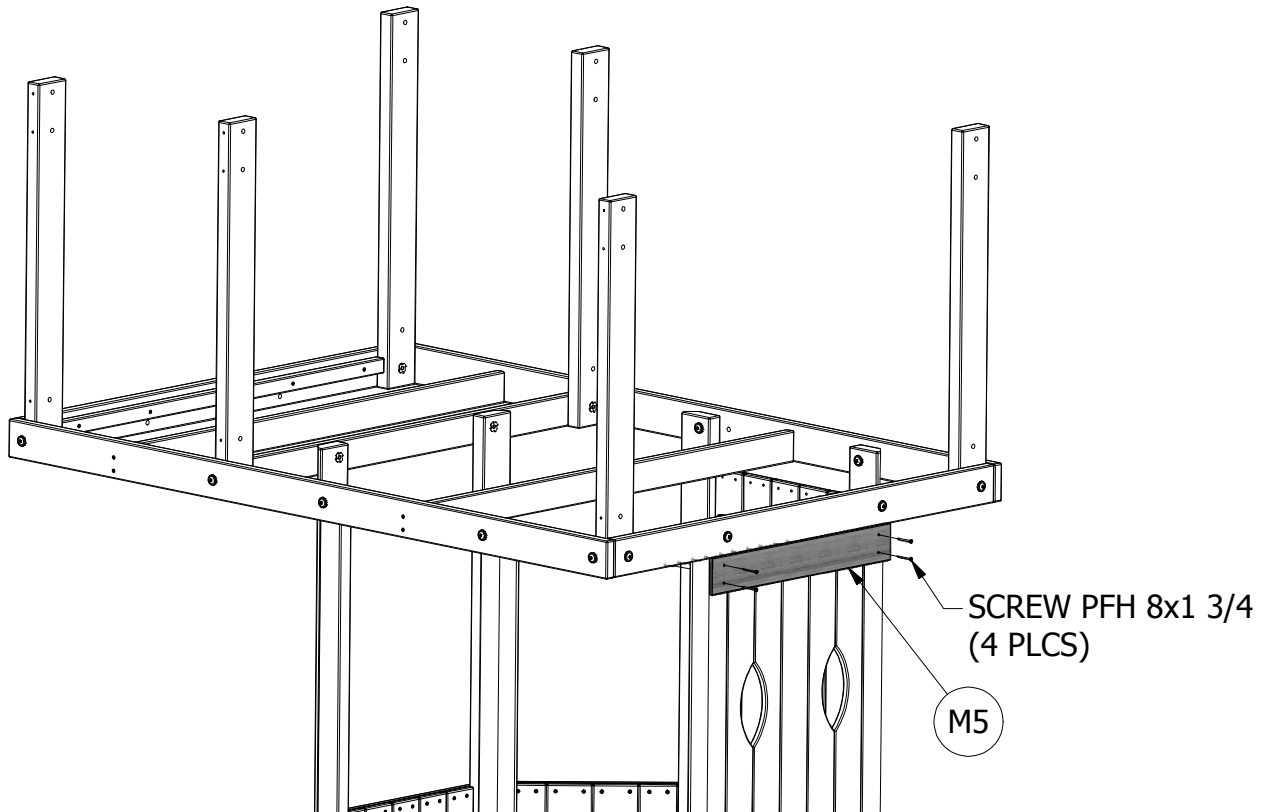
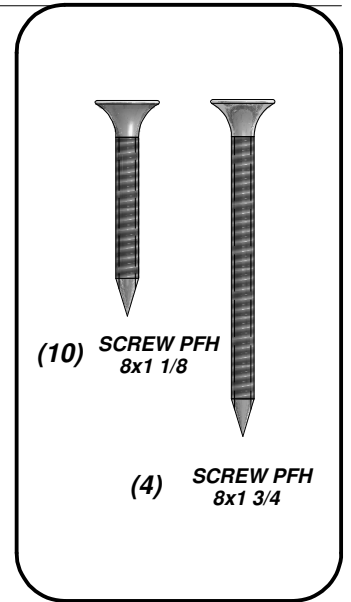


(1) **M5 - WALL RAIL - W4L04465**  
5/8"x3 3/8"x22" (16x86x563)

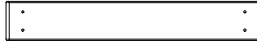
**FORT ASSEMBLY**  
**STEP 20**



REAR VIEW

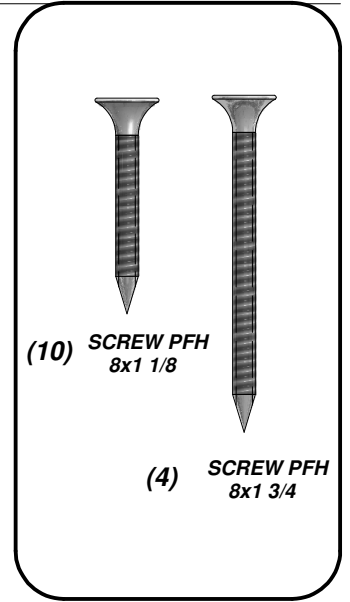
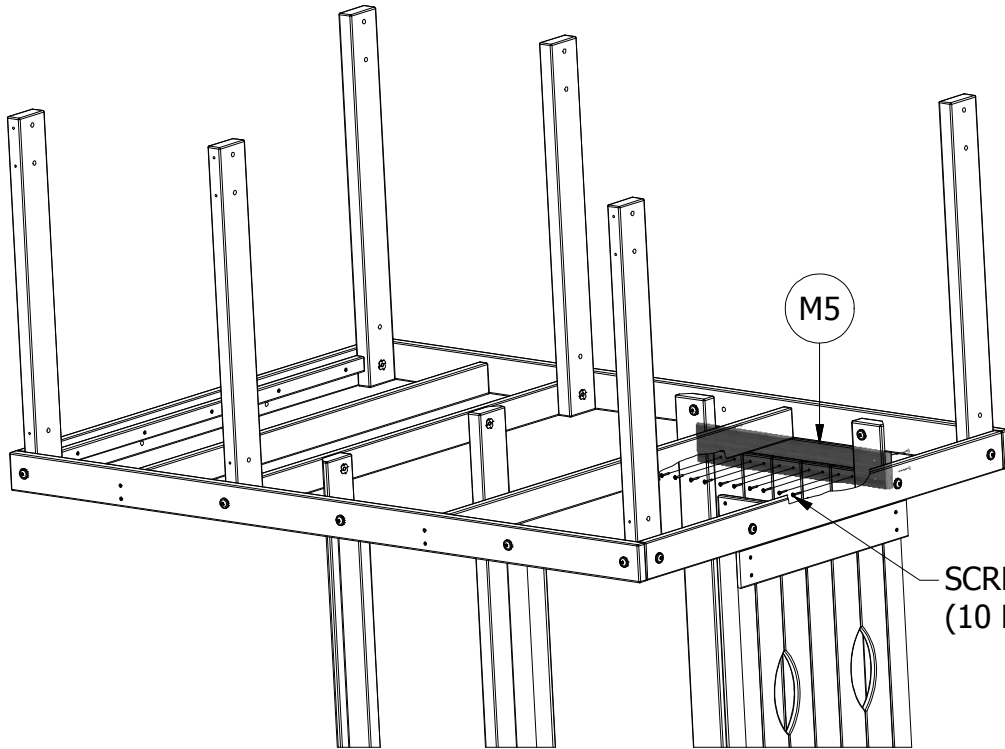


FRONT VIEW

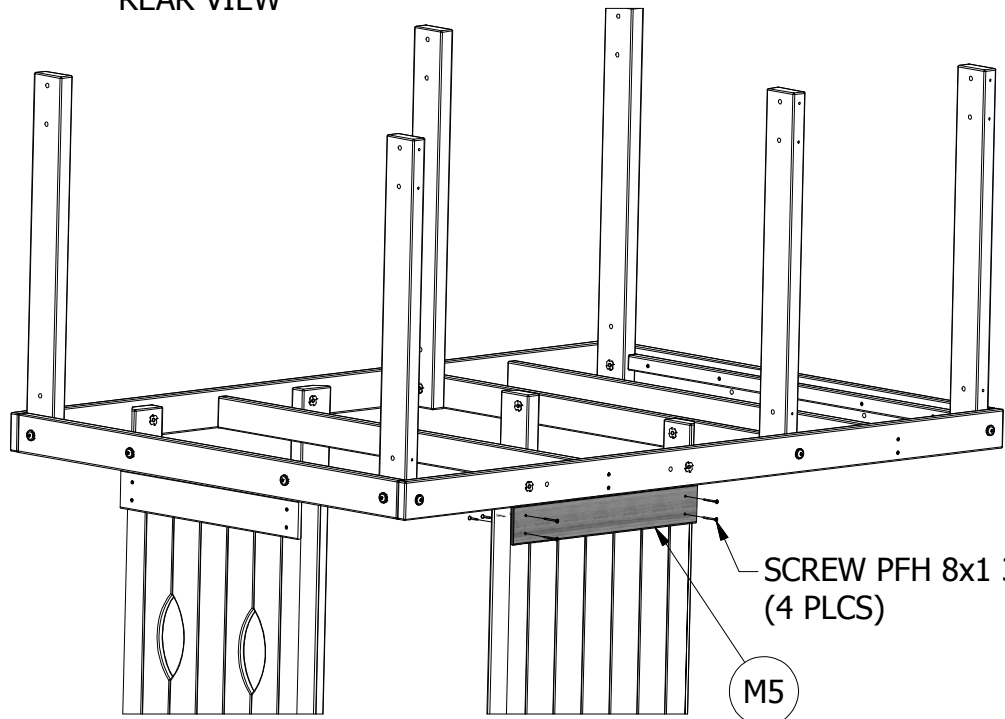


(1) **M5 - WALL RAIL - W4L04465**  
5/8"x3 3/8"x22" (16x86x563)

**FORT ASSEMBLY**  
**STEP 21**



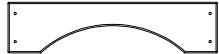
**REAR VIEW**



**FRONT VIEW**

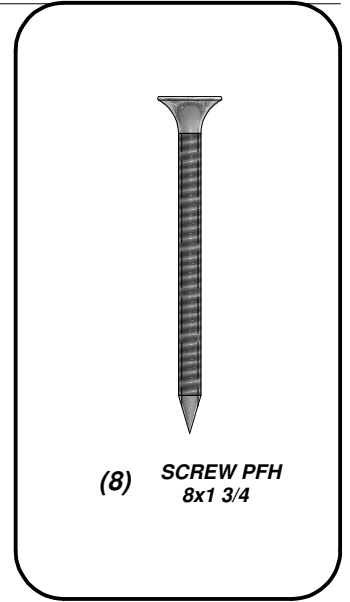


- (1) **M8 - WALL RAIL - W4L04466**  
5/8"x3 3/8"x18 3/4" (16x86x475)

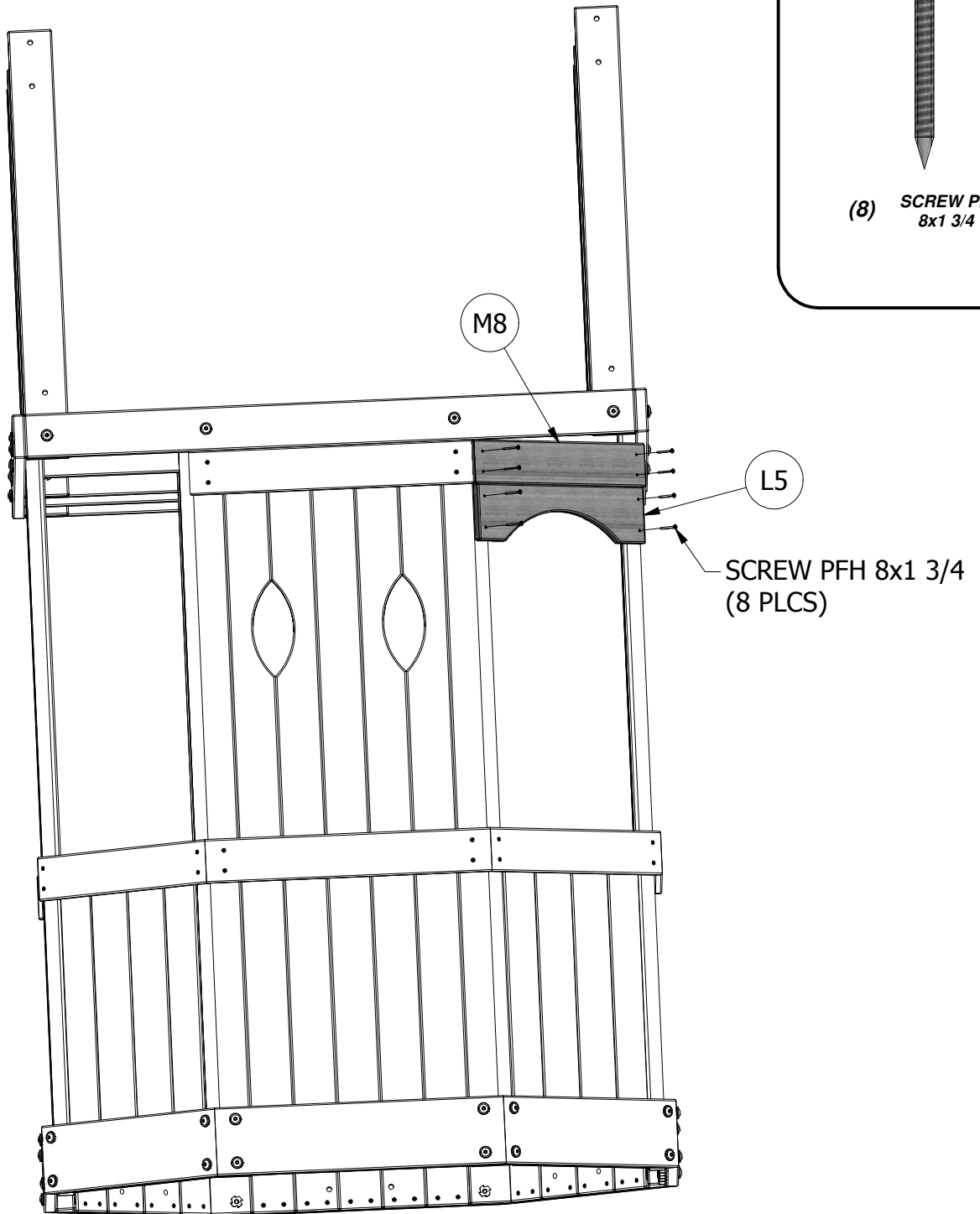


- (1) **L5 - ARCHED WALL RAIL - W4L04467**  
5/8"x4 3/8"x18 1/4" (16x112x462)

**FORT ASSEMBLY**  
**STEP 22**



- (8) **SCREW PFH**  
8x1 3/4





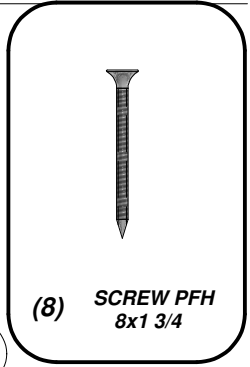
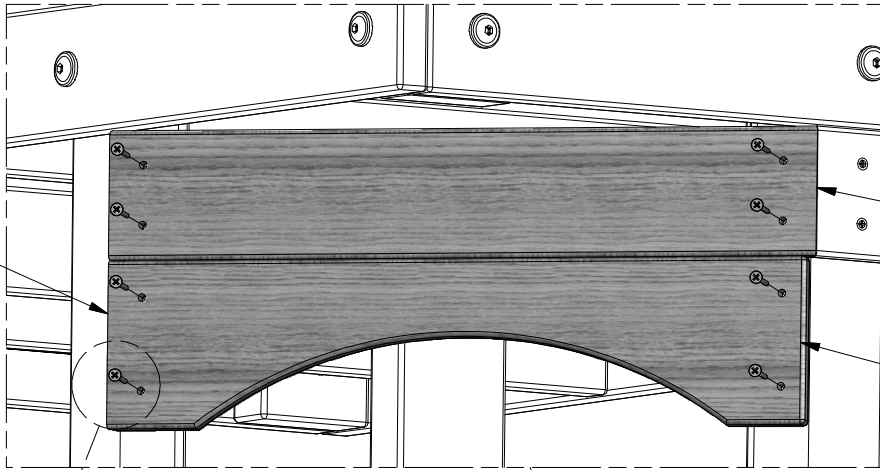
(1) **M8 - WALL RAIL - W4L04466**  
 5/8"x3 3/8"x18 3/4" (16x86x475)



(1) **L4 - LEFT ARCHED WALL RAIL - W4L04468**  
 5/8"x4 3/8"x18 1/2" (16x112x469)

**FORT ASSEMBLY**  
**STEP 23**

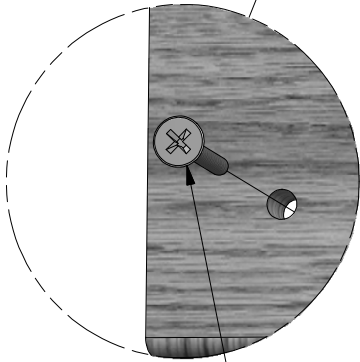
ANGLED EDGES.



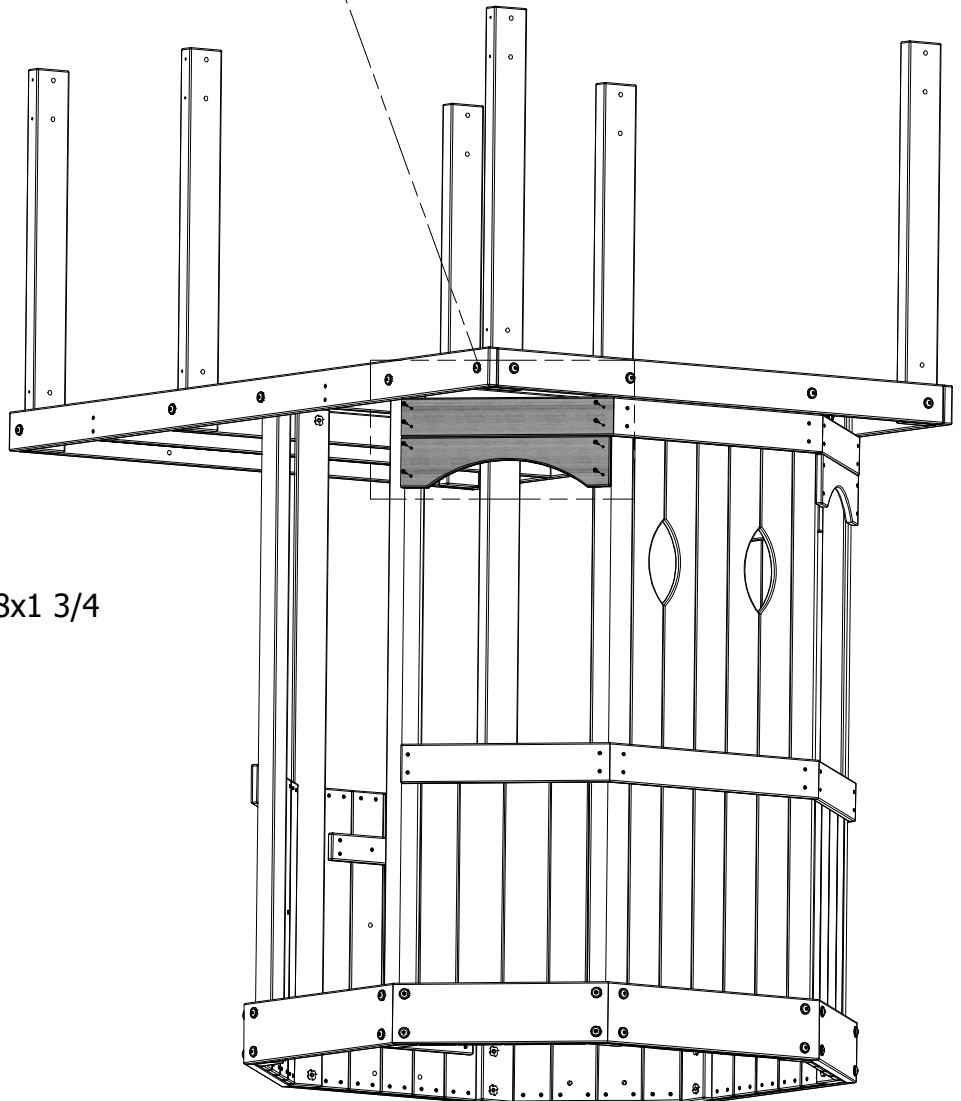
(8) **SCREW PFH**  
 8x1 3/4

M8

L4



SCREW PFH 8x1 3/4  
 (8 PLCS)



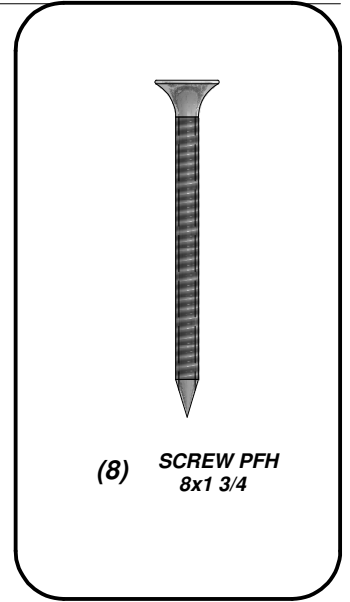


(1) **M5 - WALL RAIL - W4L04465**  
5/8"x3 3/8"x22" (16x86x563)

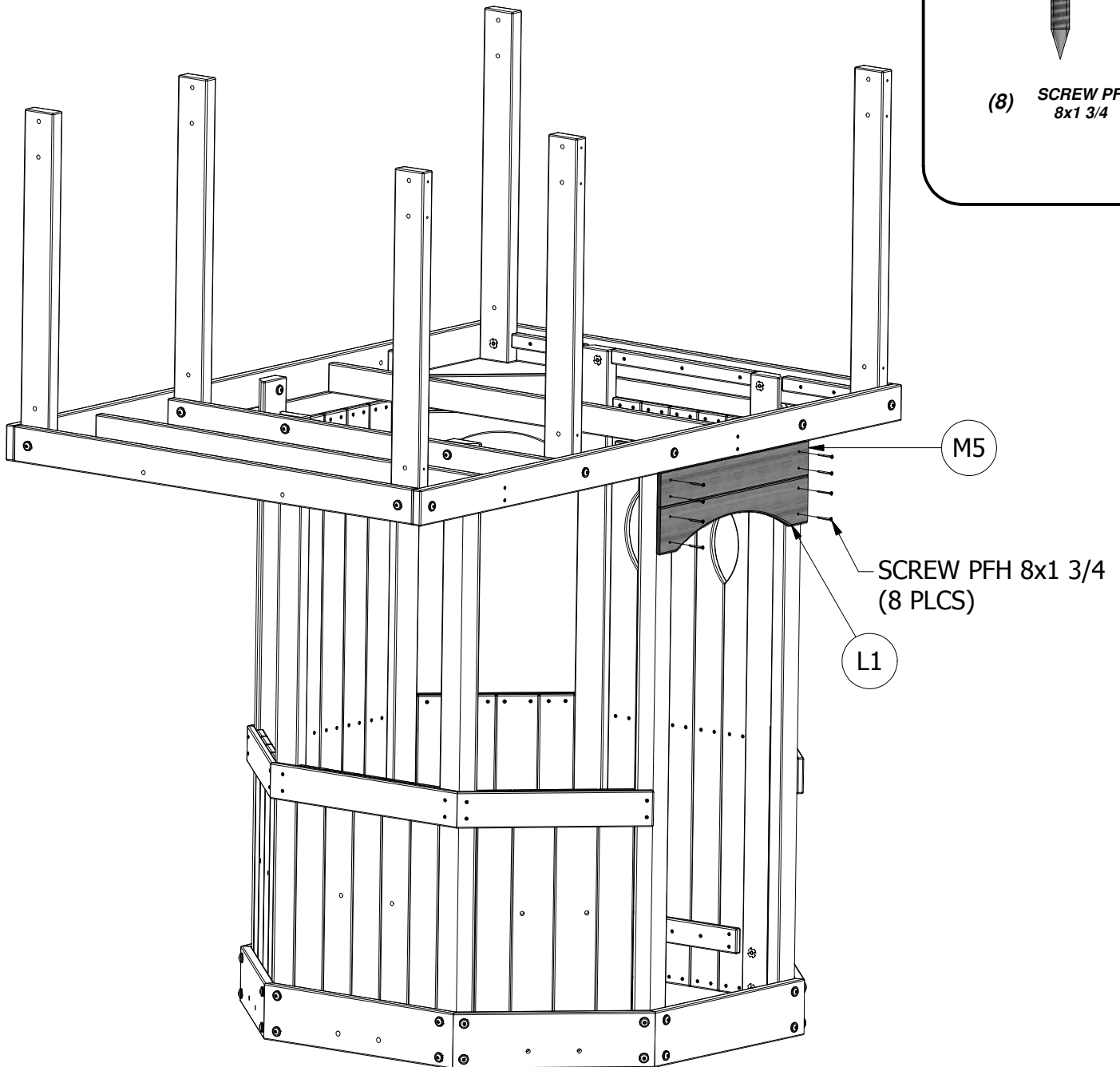


(1) **L1 - ARCHED WALL RAIL - W4L04469**  
5/8"x4 3/8"x22 1/8" (16x112x563)

**FORT ASSEMBLY**  
**STEP 24**



(8) **SCREW PFH**  
8x1 3/4



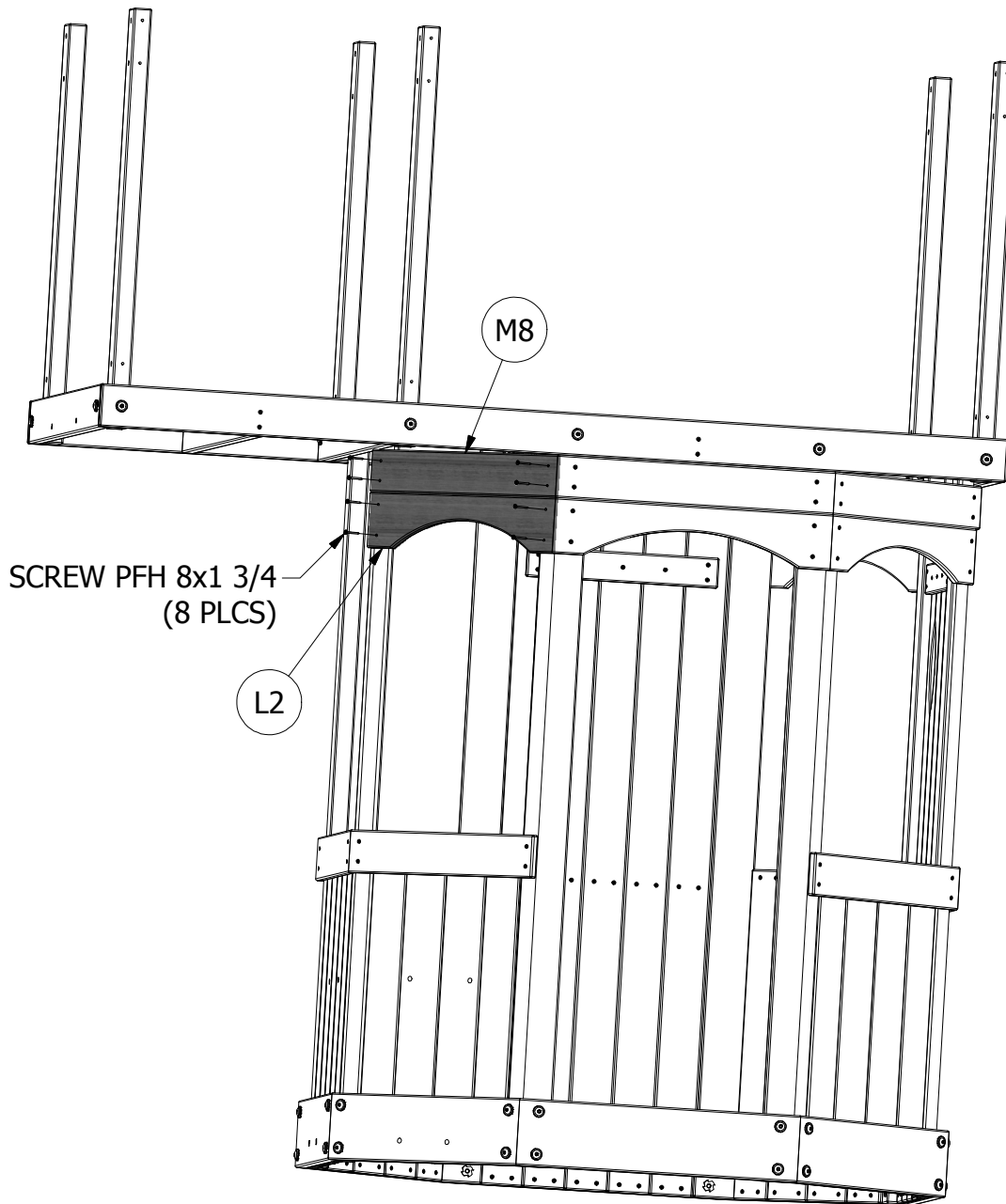
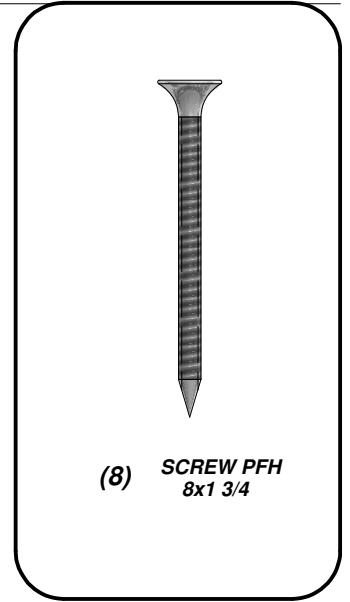


(1) **M8 - WALL RAIL - W4L04466**  
5/8"x3 3/8"x18 3/4" (16x86x475)



(1) **L2 - ARCHED WALL RAIL - W4L04472**  
5/8"x4 3/8"x18 3/4" (16x112x475)

**FORT ASSEMBLY**  
**STEP 25**



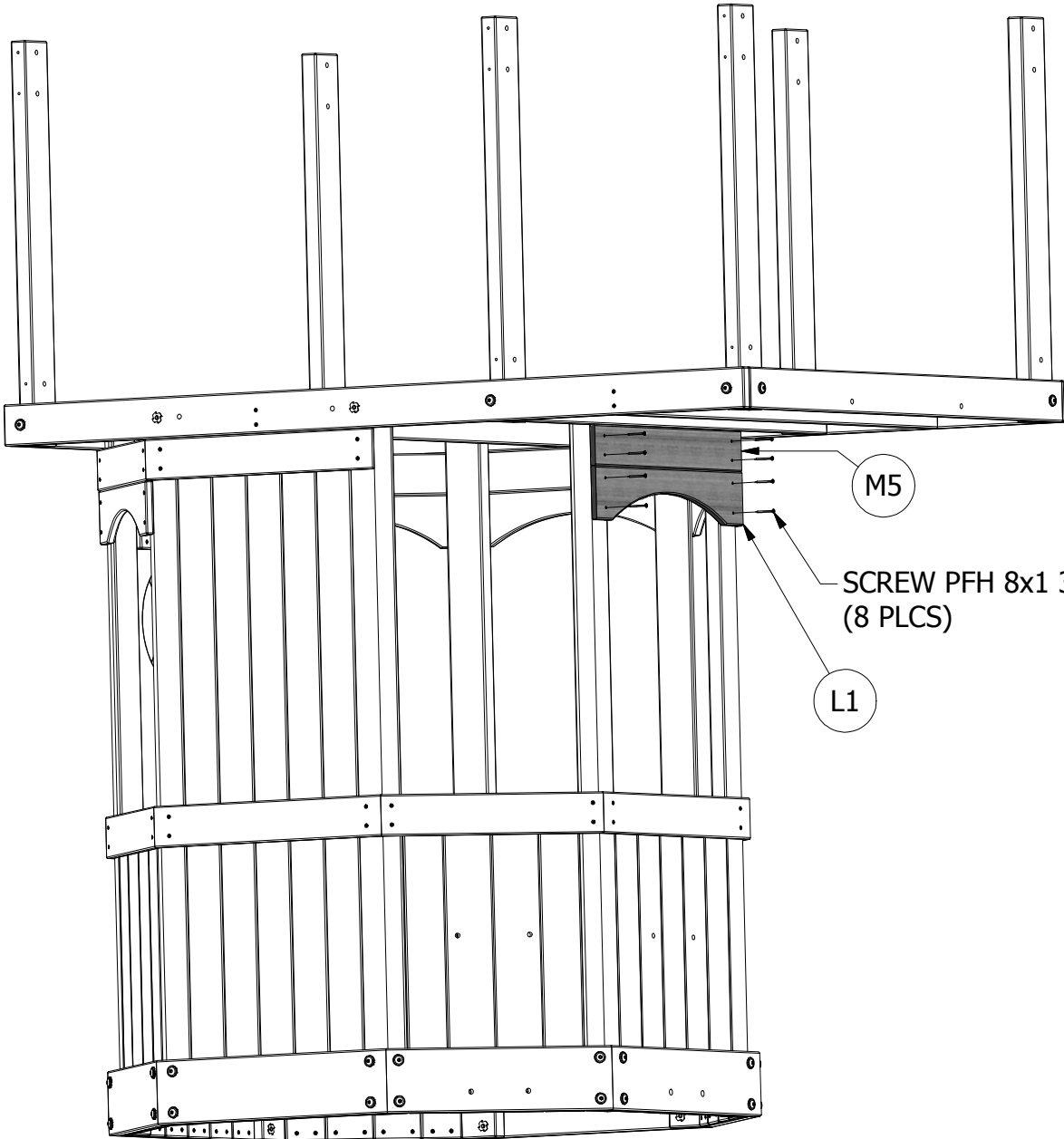
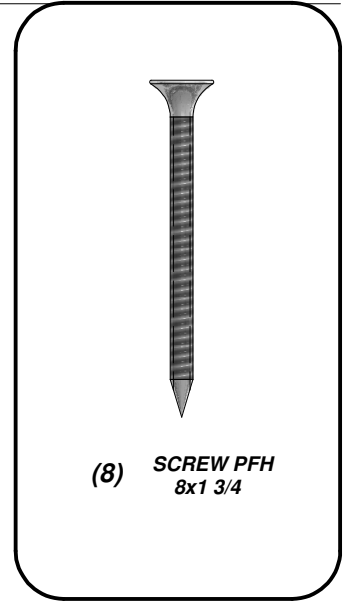


(1) **M5 - WALL RAIL - W4L04465**  
5/8"x3 3/8"x22" (16x86x563)



(1) **L1 - ARCHED WALL RAIL - W4L04469**  
5/8"x4 3/8"x22 1/8" (16x112x563)

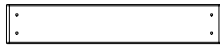
**FORT ASSEMBLY**  
**STEP 26**



M5

SCREW PFH 8x1 3/4  
(8 PLCS)

L1

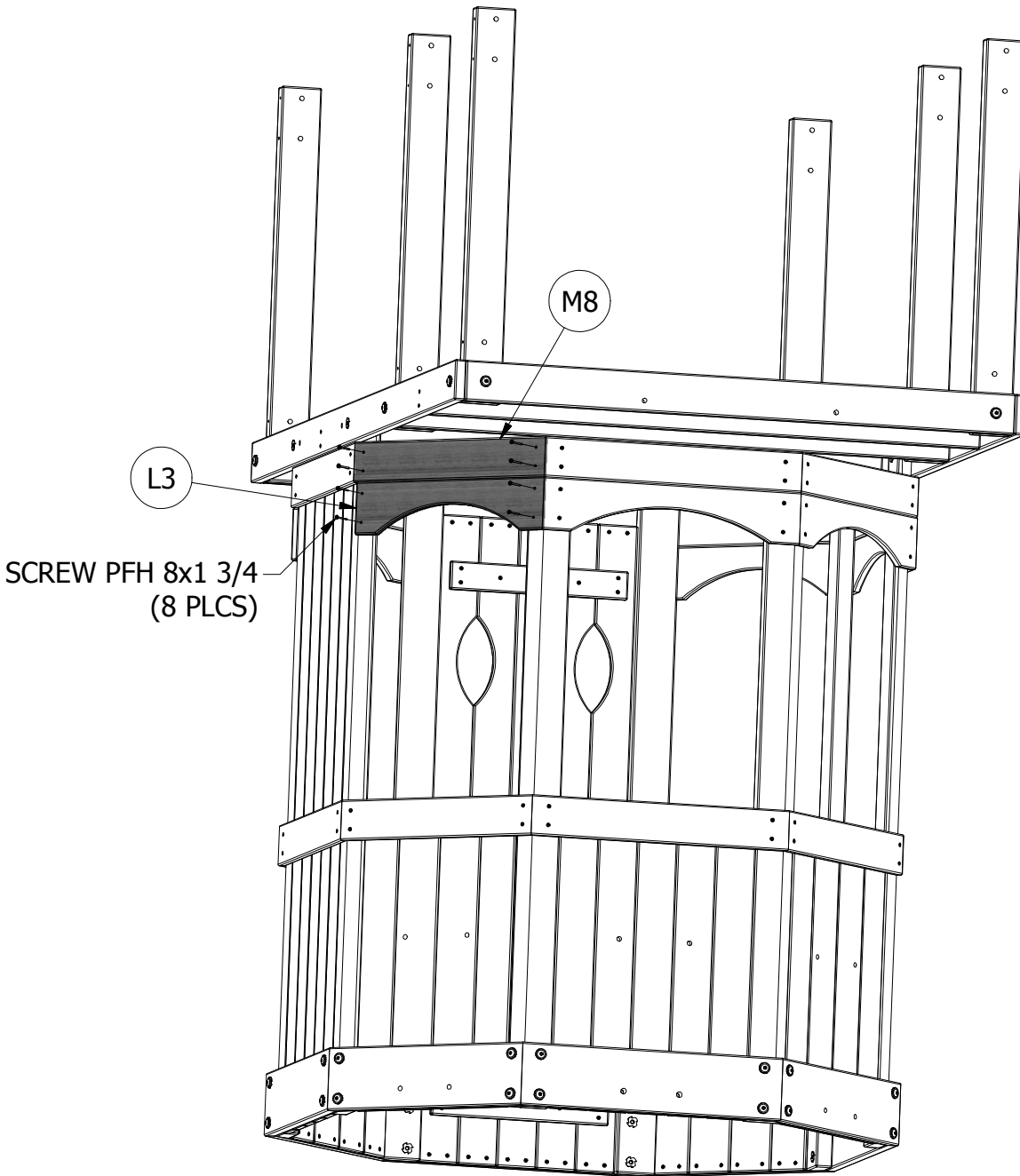
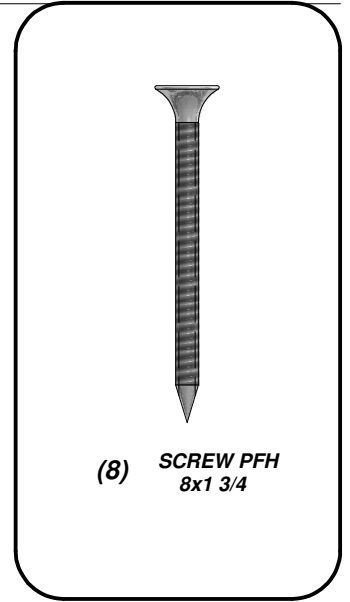


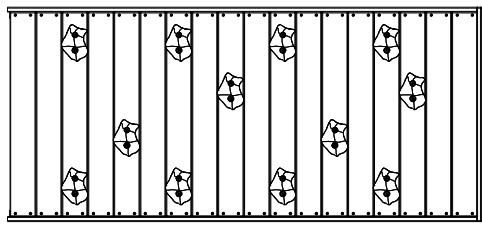
(1) **M8 - WALL RAIL - W4L04466**  
5/8"x3 3/8"x18 3/4" (16x86x475)



(1) **L3 - RIGHT ARCHED WALL RAIL - W4L04471**  
5/8"x4 3/8"x18 1/2" (16x112x469)

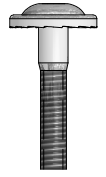
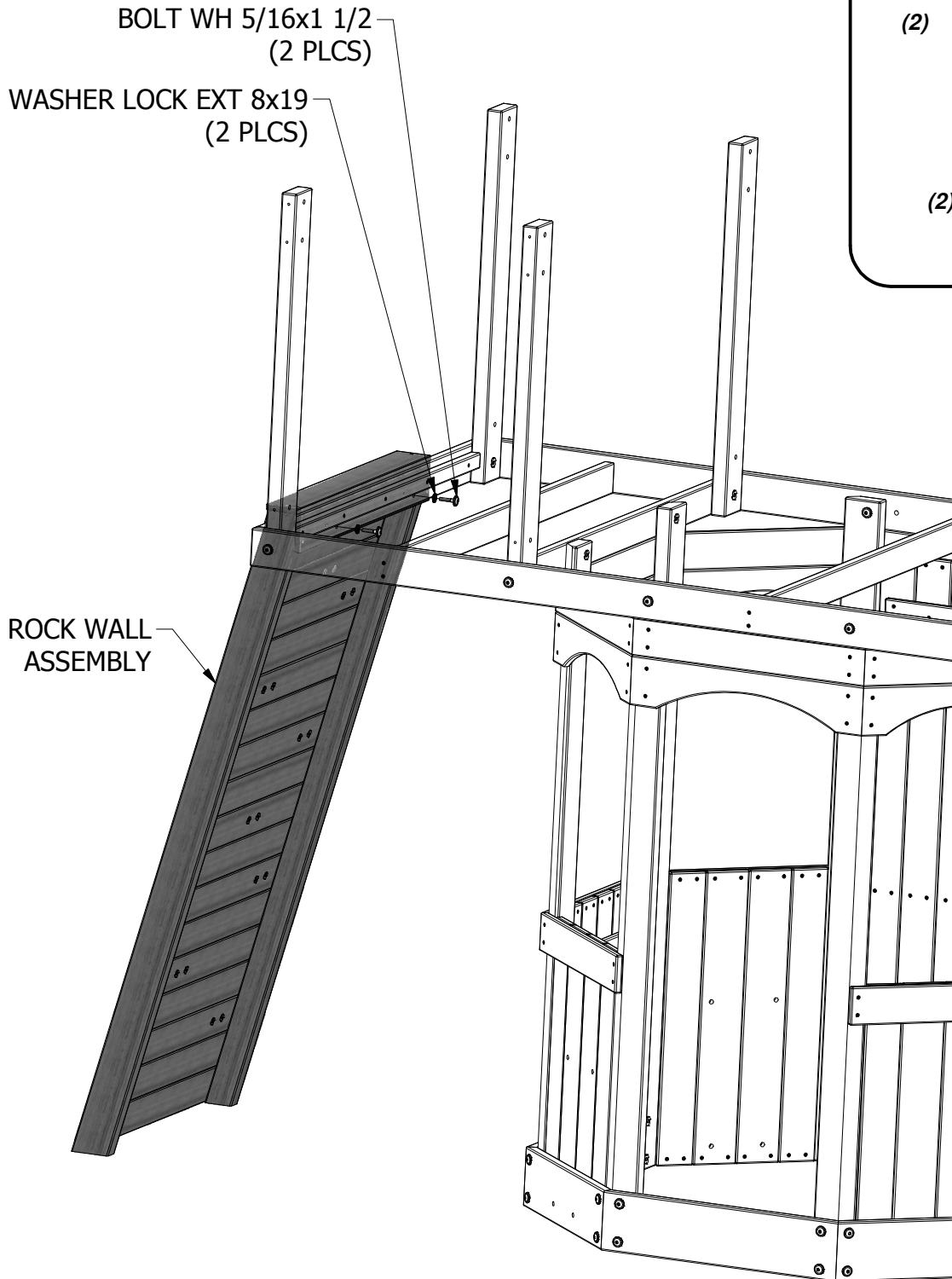
**FORT ASSEMBLY**  
**STEP 27**





(1) ROCK WALL ASSEMBLY

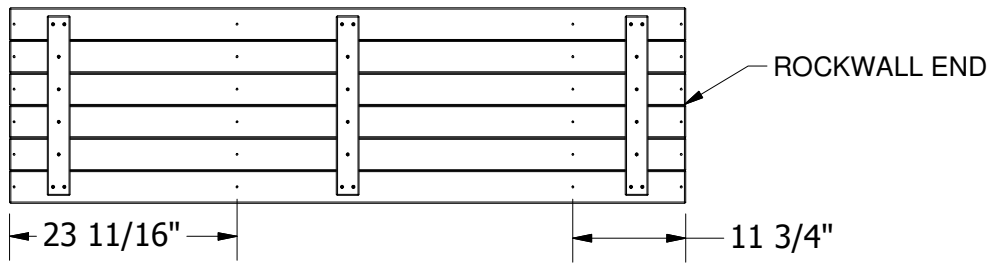
**FORT ASSEMBLY  
STEP 28**



(2) BOLT WH  
5/16x1 1/2

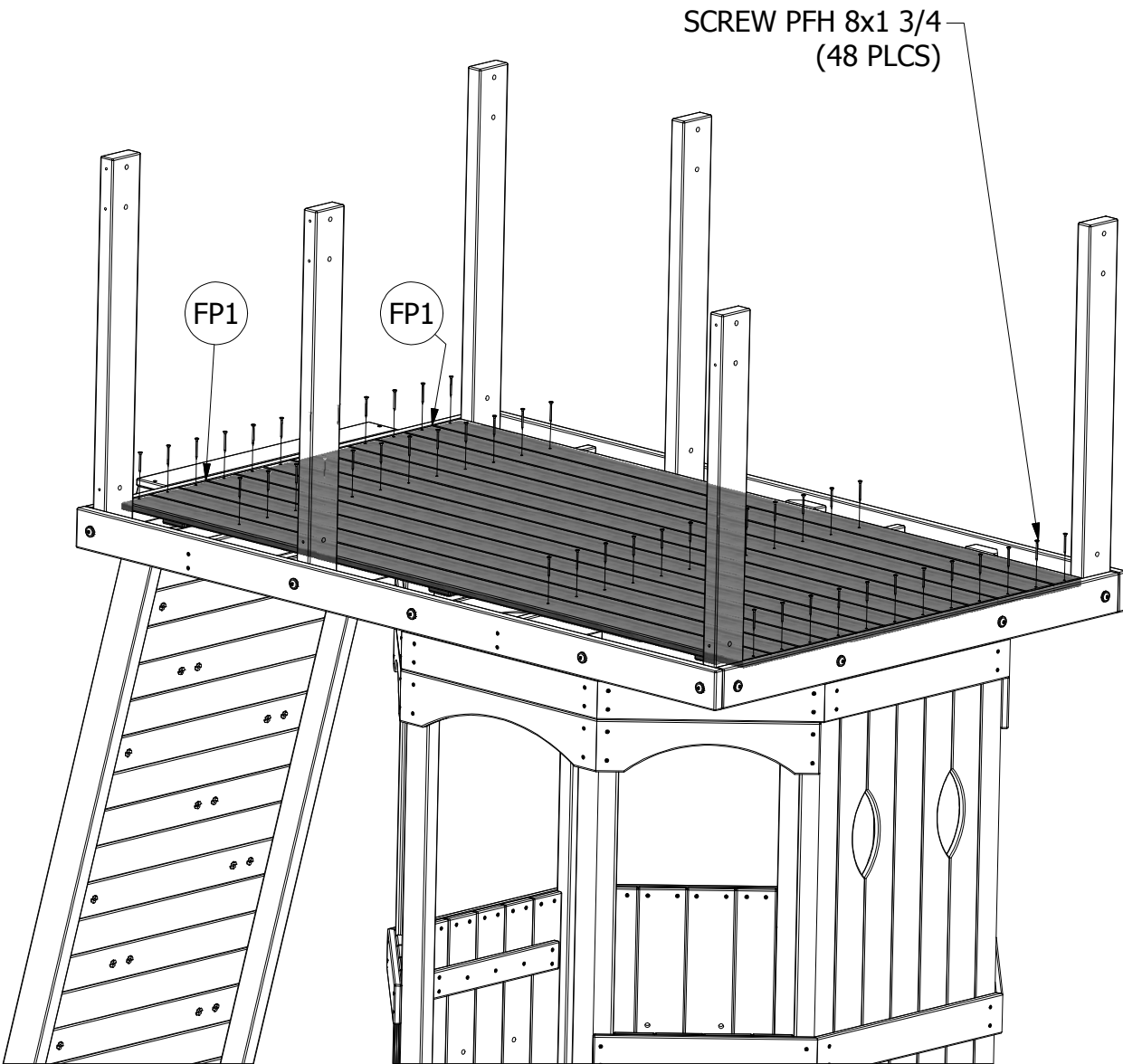
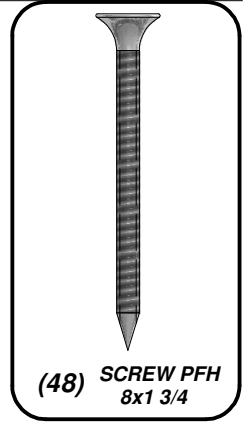


(2) WASHER  
LOCK EXT  
8x19



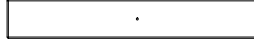
(2) FP1 - FLOOR PANEL - W2A01406  
 1 1/4"x20 3/8"x70 1/2" (32x516x1790)

**FORT ASSEMBLY  
 STEP 29**



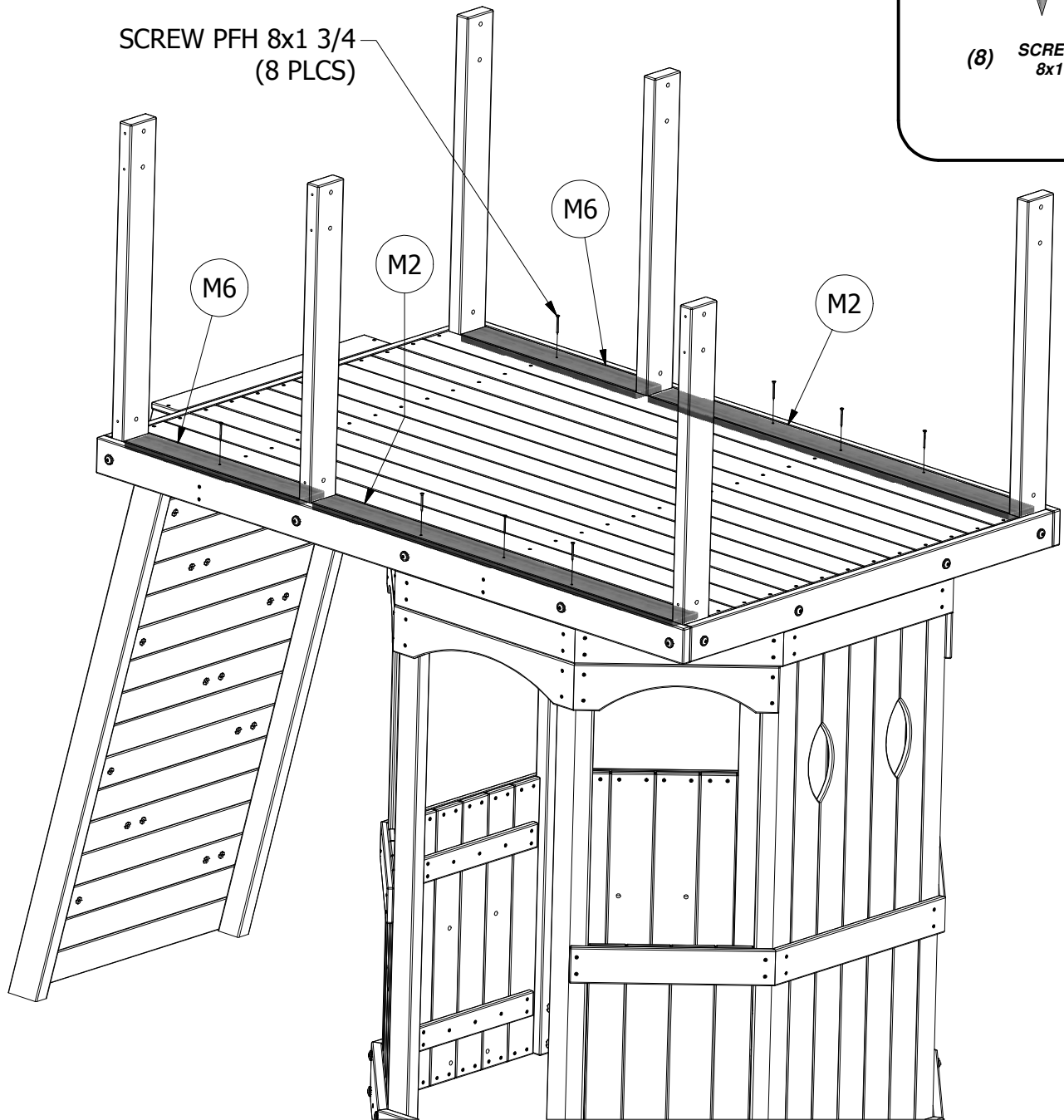
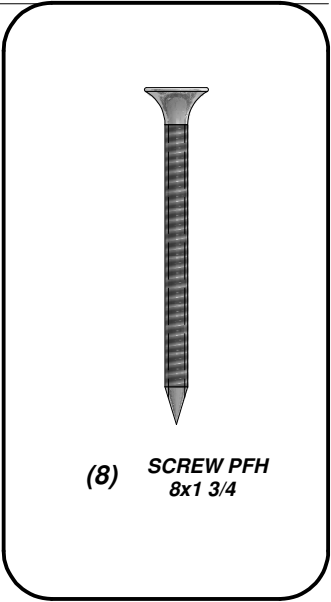


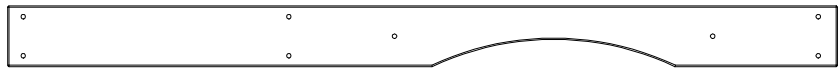
(2) **M2 - OUTER FLOOR BOARD - W4L04460**  
5/8"x3 3/8"x44 5/8" (16x86x1132)



(2) **M6 - OUTER FLOOR BOARD - W4L04464**  
5/8"x3 3/8"x21 5/8" (16x86x550)

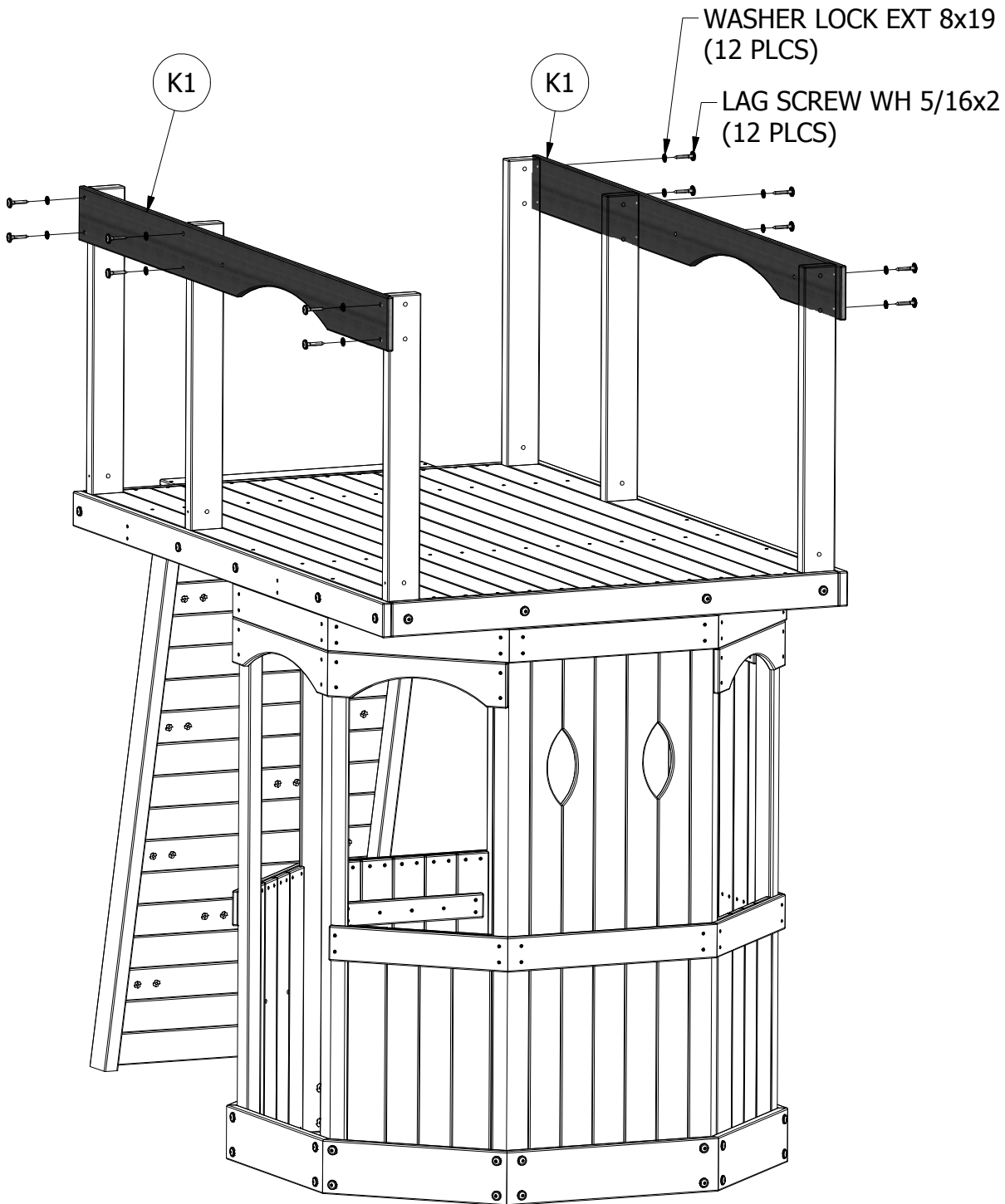
**FORT ASSEMBLY**  
**STEP 30**





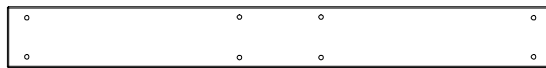
(2) **K1 - ARCHED WALL RAIL - W4L04485**  
5/8"x5 1/4"x72" (16x134x1830)

**FORT ASSEMBLY**  
**STEP 31**



(12) **LAG SCREW**  
WH 5/16x2

(12) **WASHER**  
**LOCK EXT**  
8x19

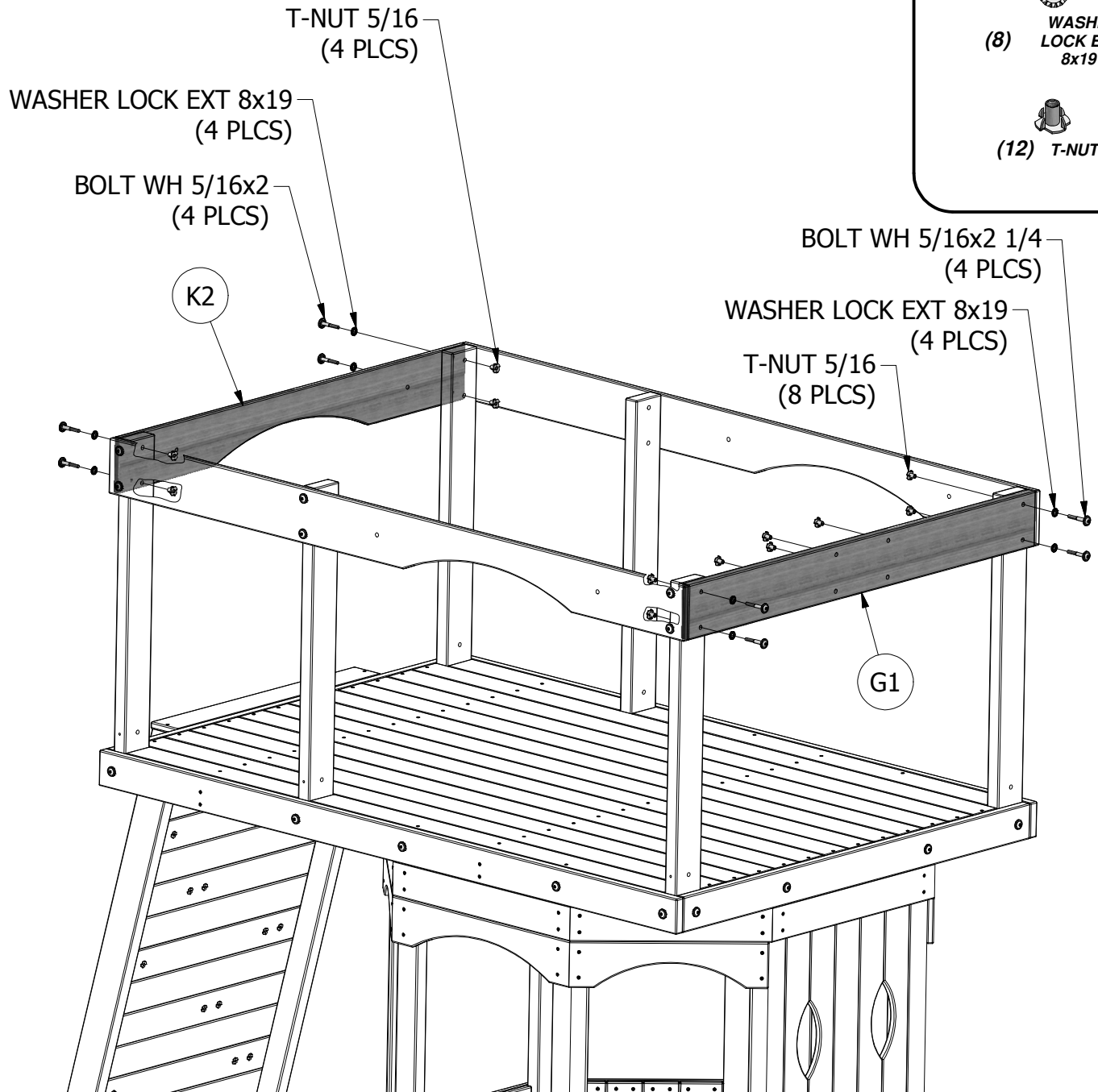


(1) **G1 - SWINGBEAM RAIL - W4L04483**  
1"x5 1/4"x47 3/8" (24x134x1204)



(1) **K2 - ARCHED WALL RAIL - W4L04486**  
5/8"x5 1/4"x47 3/8" (16x134x1204)

### FORT ASSEMBLY STEP 32



(4) **BOLT WH 5/16x2**

(4) **BOLT WH 5/16x2 1/4**

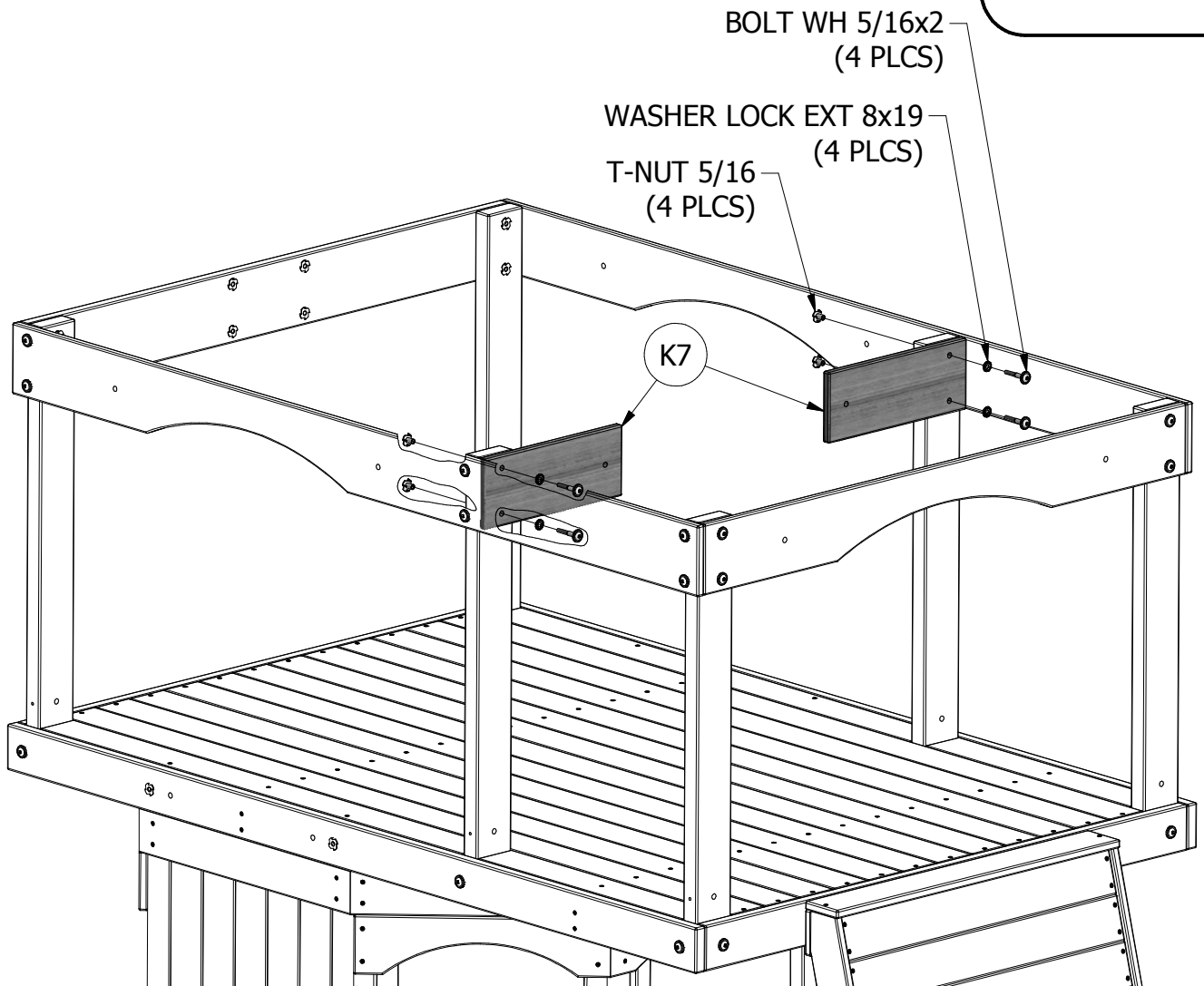
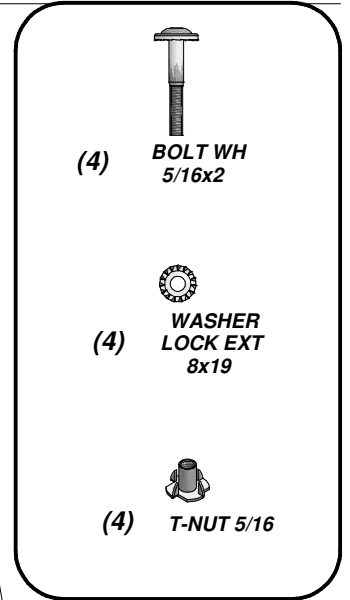
(8) **WASHER LOCK EXT 8x19**

(12) **T-NUT 5/16**



(2) **K7 - WALL RAIL - W4L04488**  
5/8"x5 1/4"x13 1/2" (16x134x344)

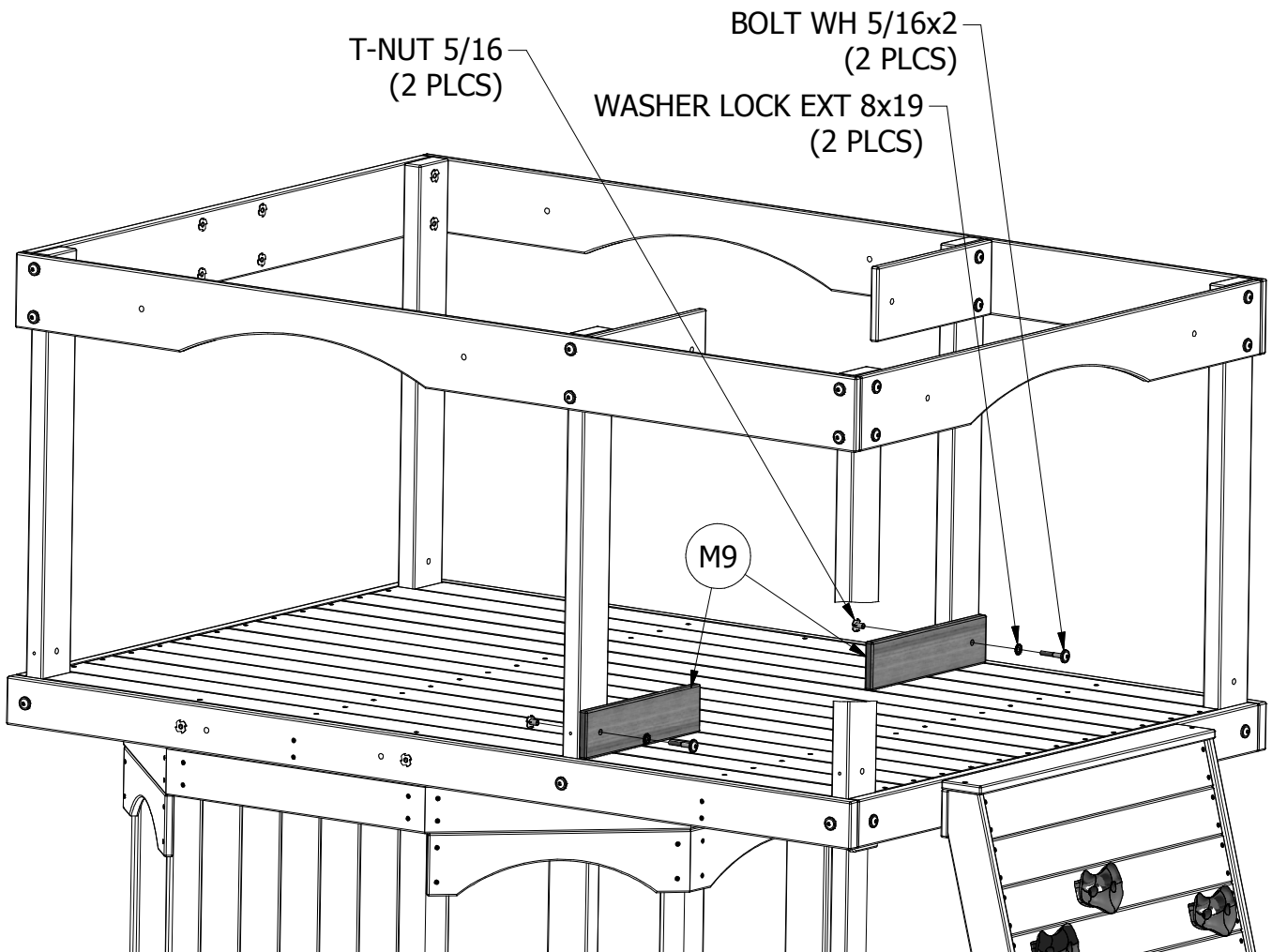
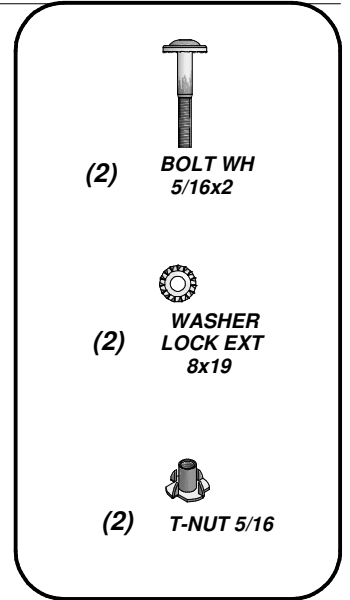
**FORT ASSEMBLY**  
**STEP 33**





(2) **M9 - WALL RAIL - W4L04489**  
5/8"x3 3/8"x13 1/2" (16x86x344)

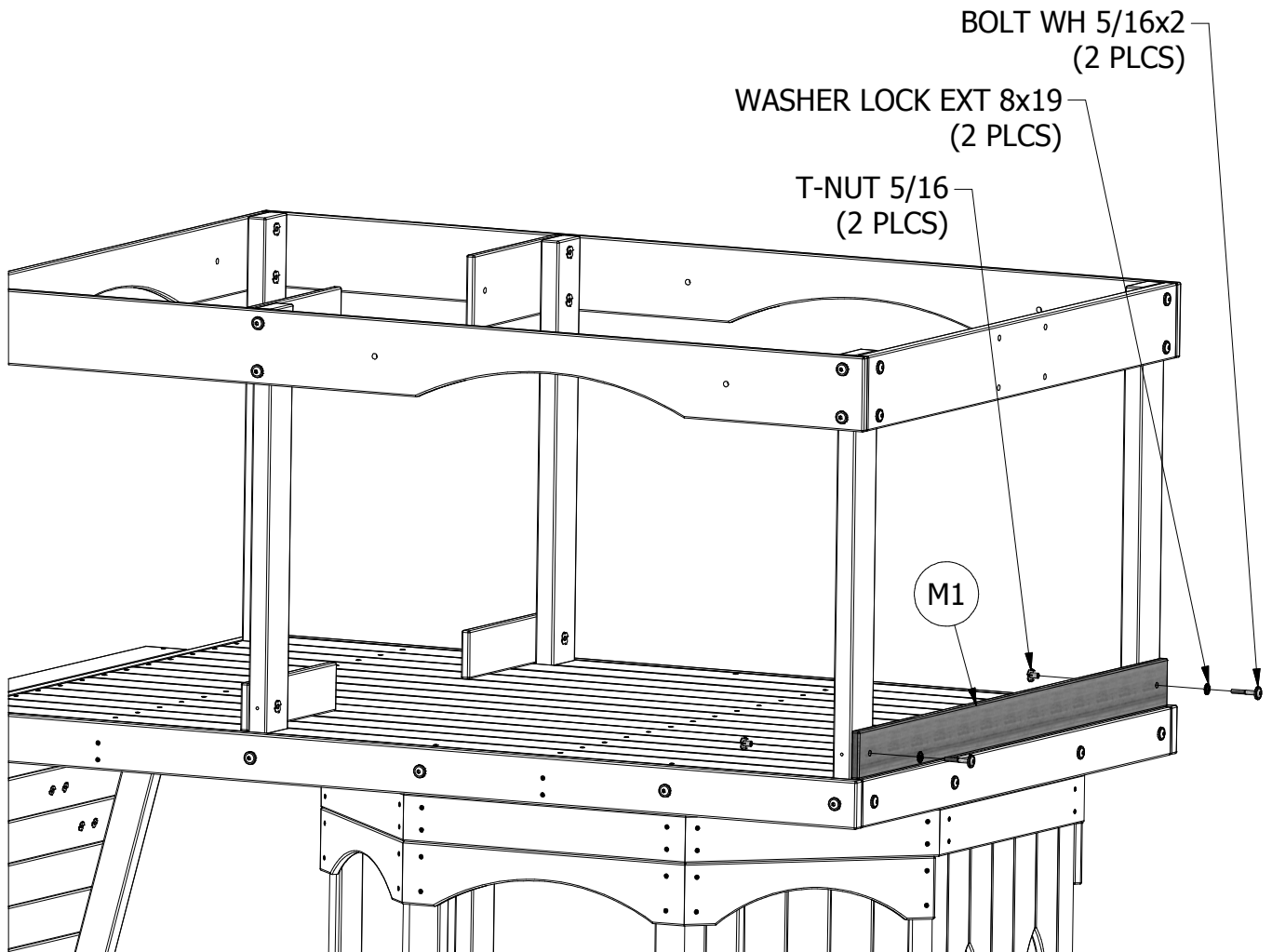
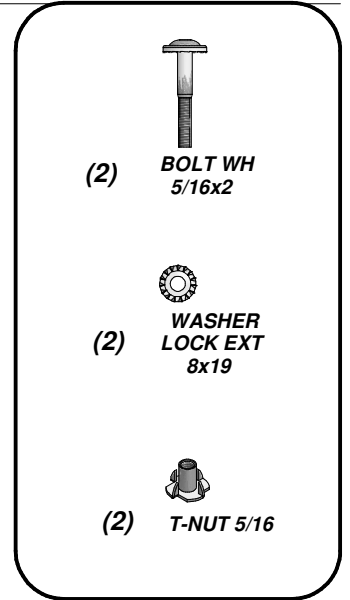
**FORT ASSEMBLY**  
**STEP 34**





(1) **M1 - WALL RAIL - W4L04479**  
5/8"x3 3/8"x47 3/8" (16x86x1204)

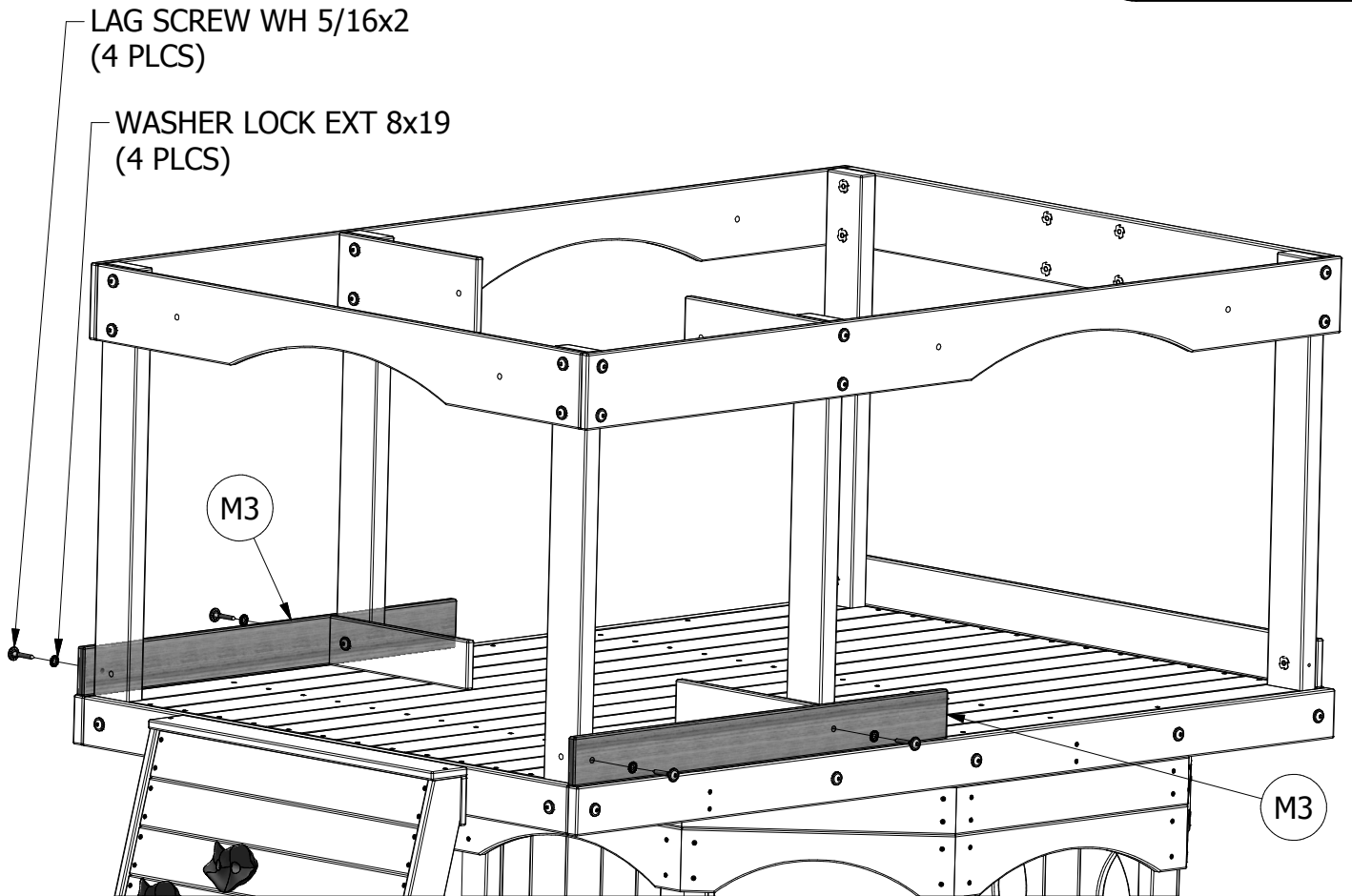
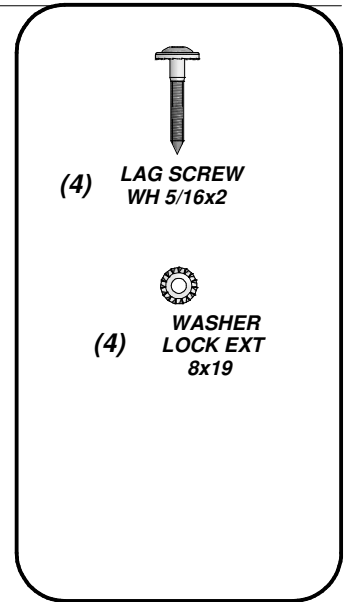
**FORT ASSEMBLY**  
**STEP 35**





(2) **M3 - WALL RAIL - W4L04481**  
5/8"x3 3/8"x35 5/8" (16x86x905)

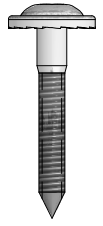
**FORT ASSEMBLY**  
**STEP 36**





(2) M10 - WALL RAIL - W4L04480  
5/8"x3 3/8"x12 1/4" (16x86x310)

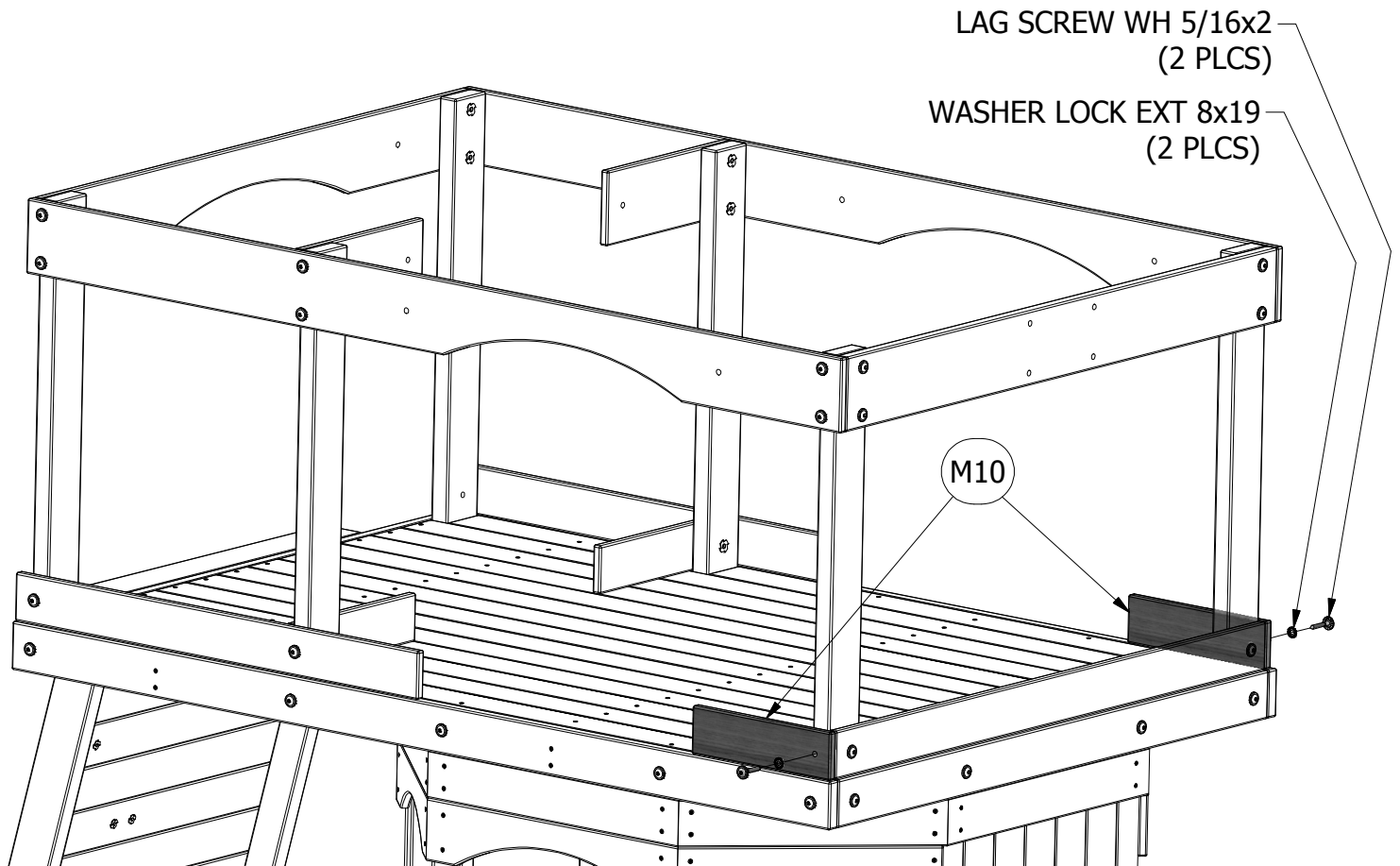
**FORT ASSEMBLY  
STEP 37**

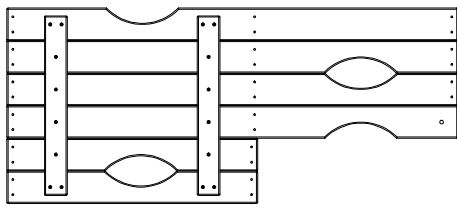


(2) LAG SCREW  
WH 5/16x2

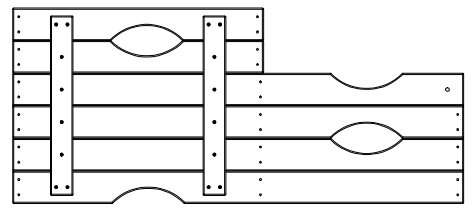


(2) WASHER  
LOCK EXT  
8x19



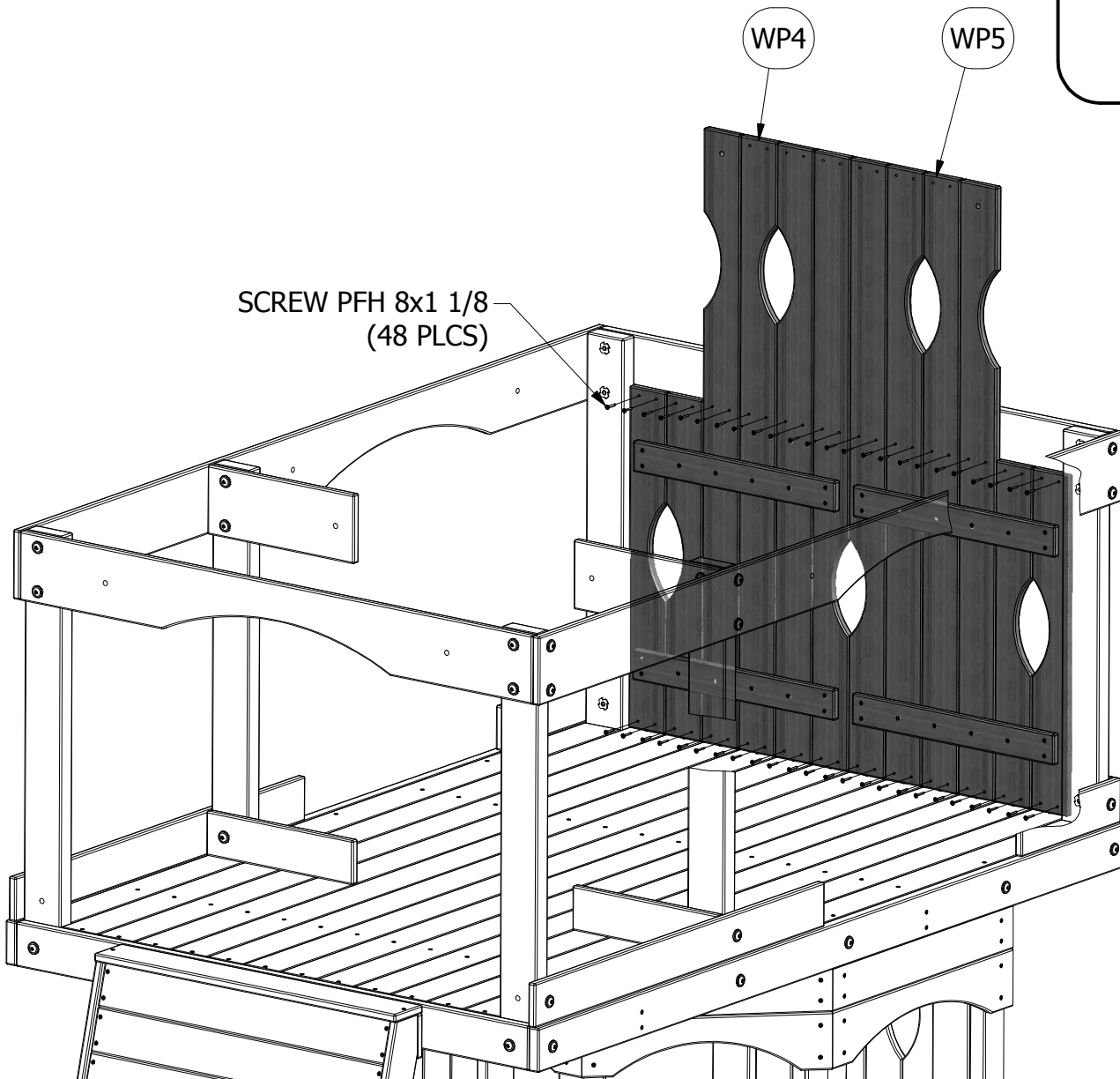
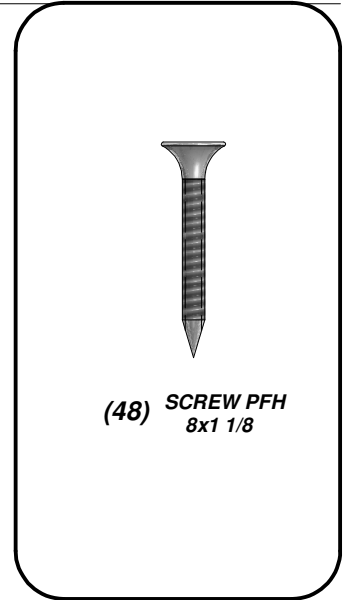


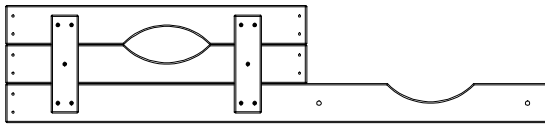
(1) WP5 - UPPER WALL PANEL - LEFT - W2A01473  
1 1/4"x20 3/8"x47" (32x516x1194)



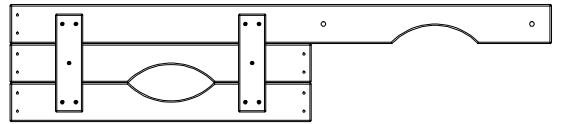
(1) WP4 - UPPER WALL PANEL - RIGHT - W2A01472  
1 1/4"x20 3/8"x47" (32x516x1194)

### FORT ASSEMBLY STEP 38



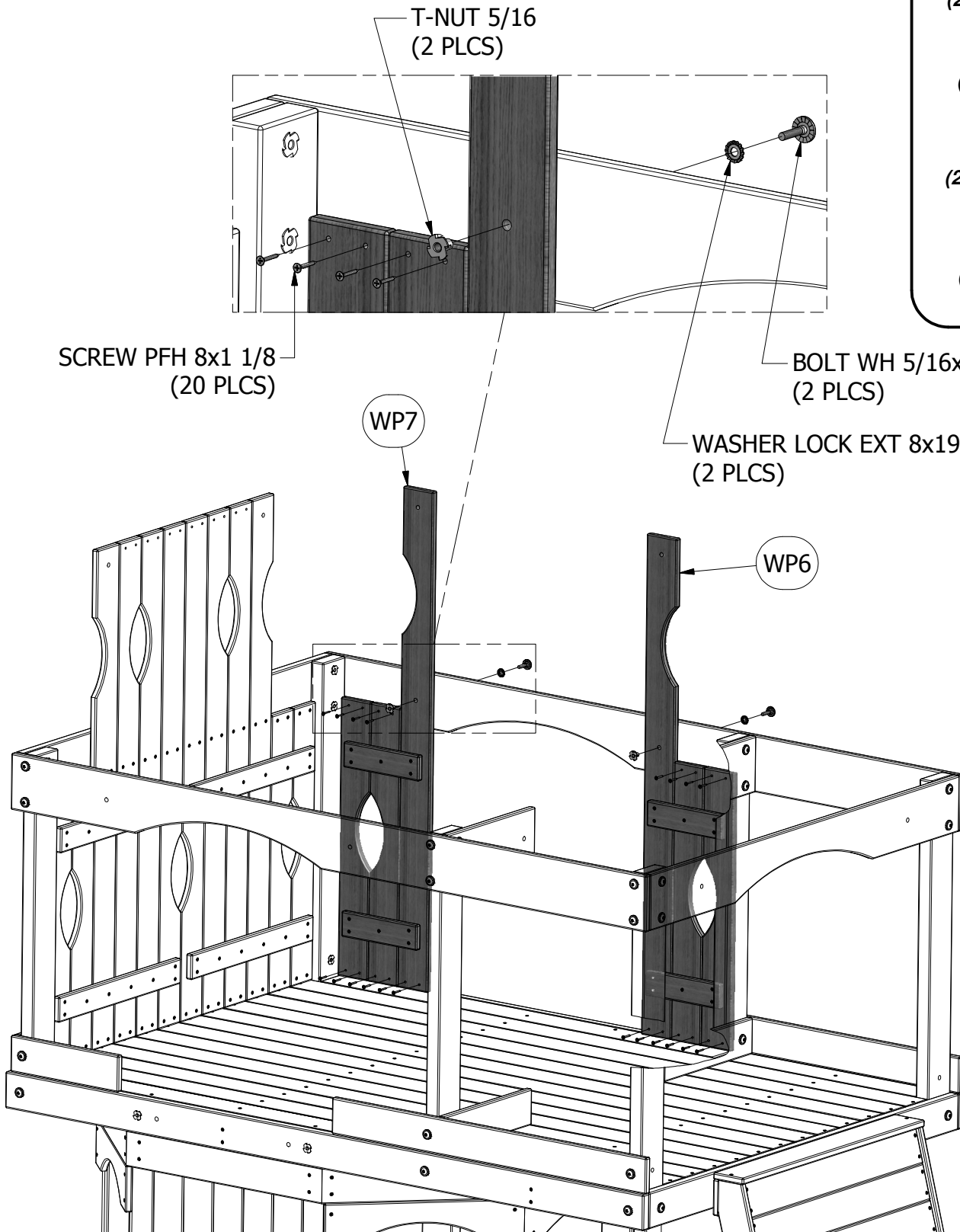






(1) WP7 - UPPER WALL PANEL - RIGHT - W2A01474  
1 1/4"x10 1/8"x47" (32x258x1194)

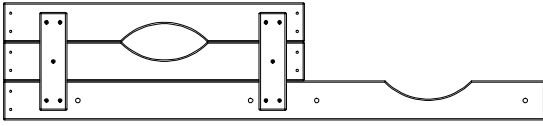


(1) WP6 - UPPER WALL PANEL - LEFT - W2A01475  
1 1/4"x10 1/8"x47" (32x258x1194)

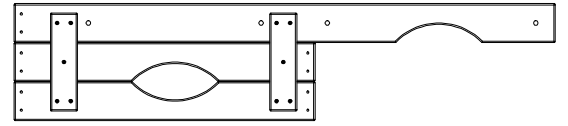
**FORT ASSEMBLY  
STEP 39**



-  (2) BOLT WH 5/16x1 1/4
-  (2) T-NUT 5/16
-  (20) SCREW PFH 8x1 1/8
-  (2) WASHER LOCK EXT 8x19

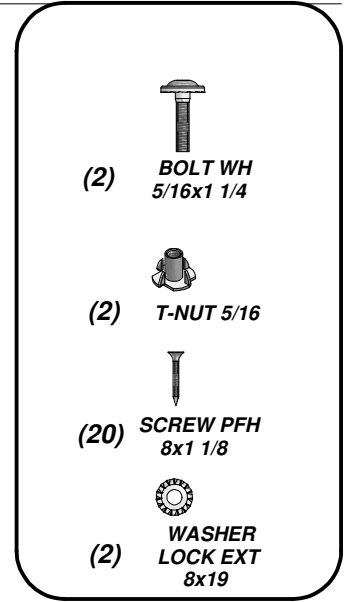


(1) WP15 - UPPER WALL PANEL - RIGHT - W2A01484  
1 1/4"x10 1/8"x47" (32x258x1194)



(1) WP14 - UPPER WALL PANEL - LEFT - W2A01483  
1 1/4"x10 1/8"x47" (32x258x1194)

### FORT ASSEMBLY STEP 40

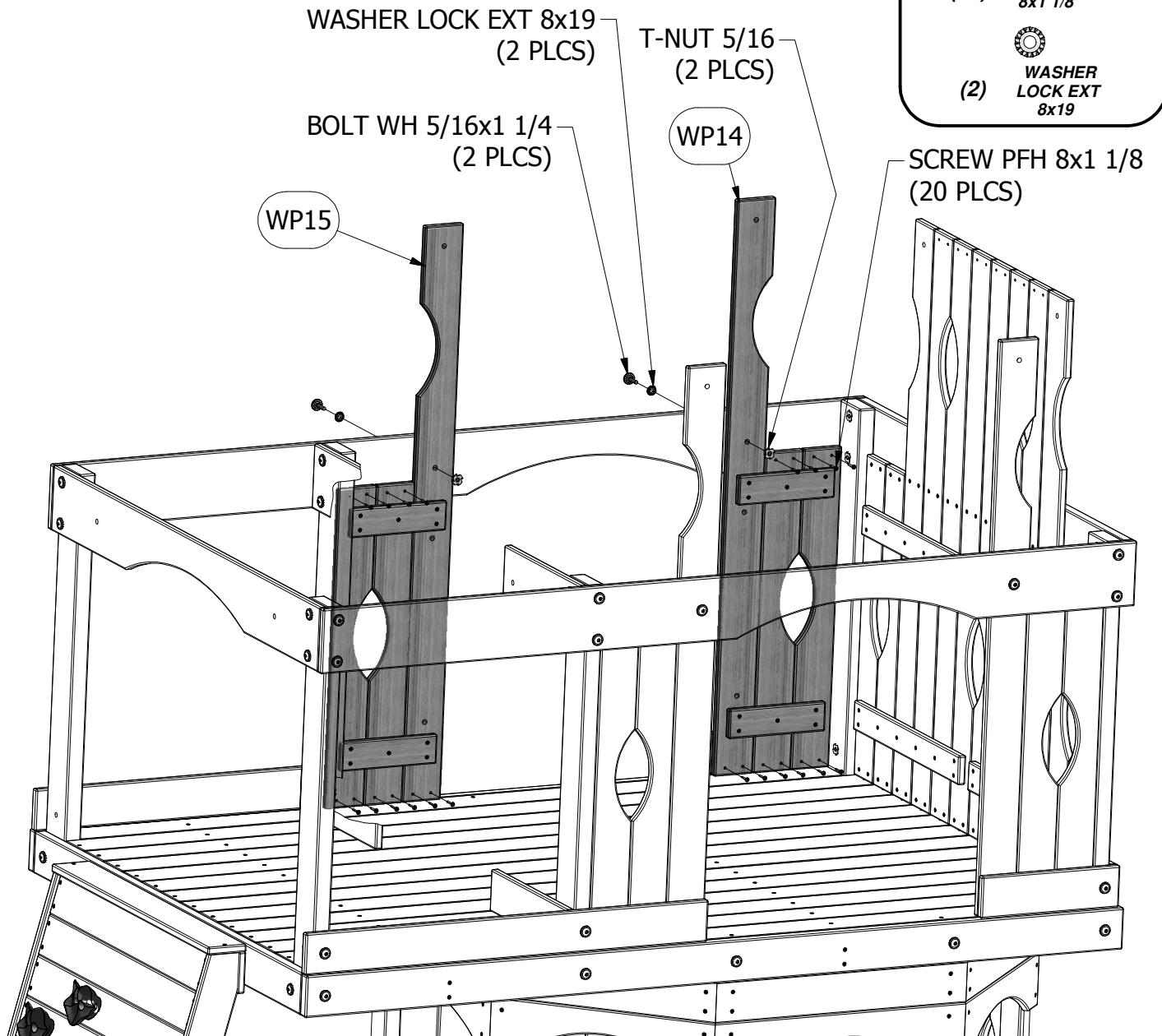


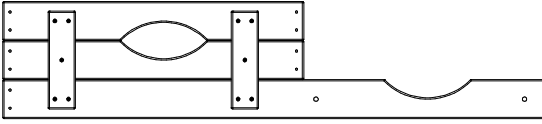
(2) BOLT WH  
5/16x1 1/4

(2) T-NUT 5/16

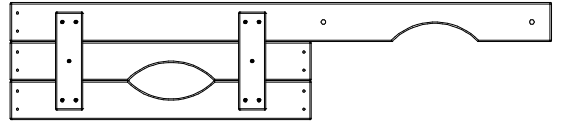
(20) SCREW PFH  
8x1 1/8

(2) WASHER  
LOCK EXT  
8x19



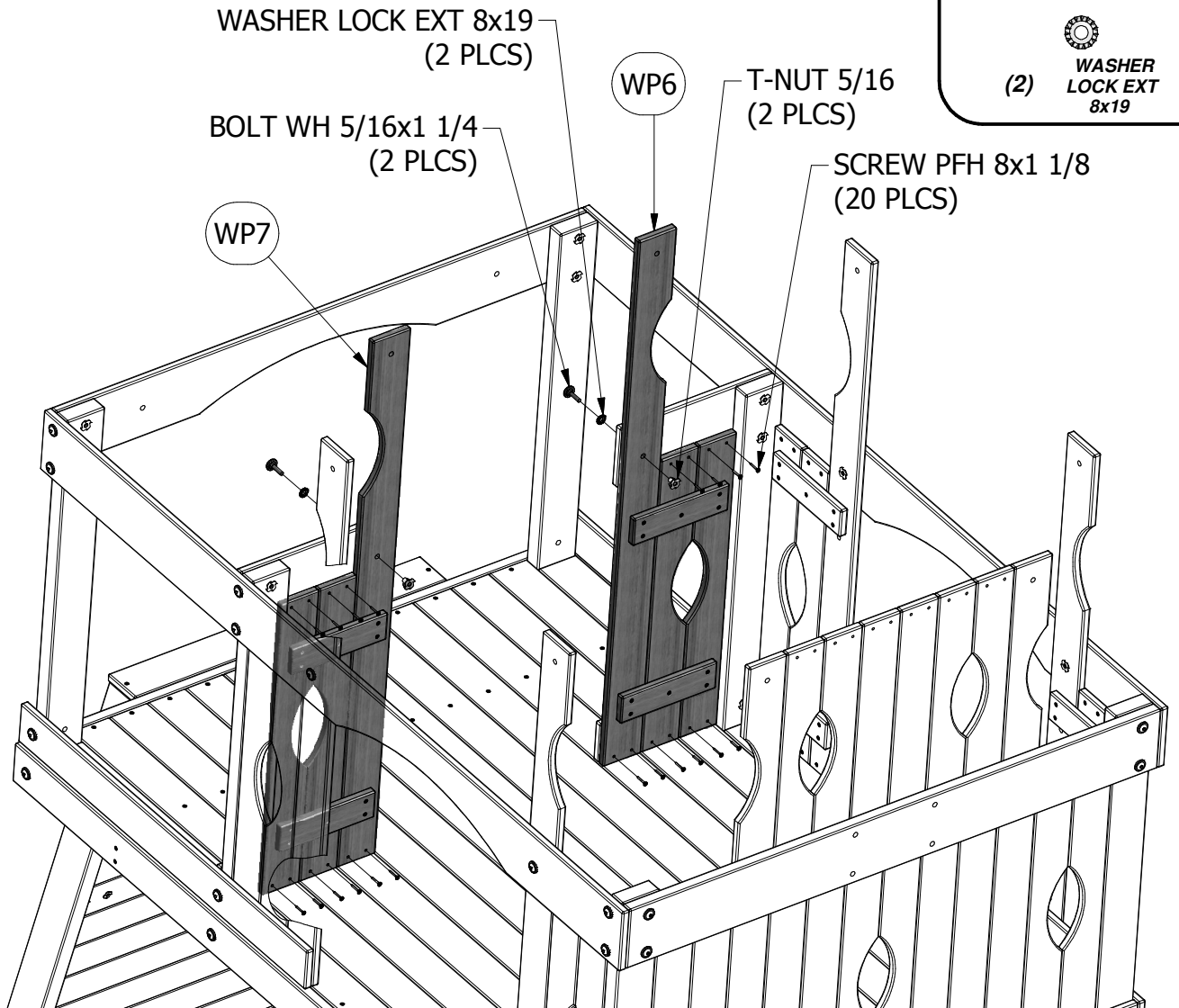
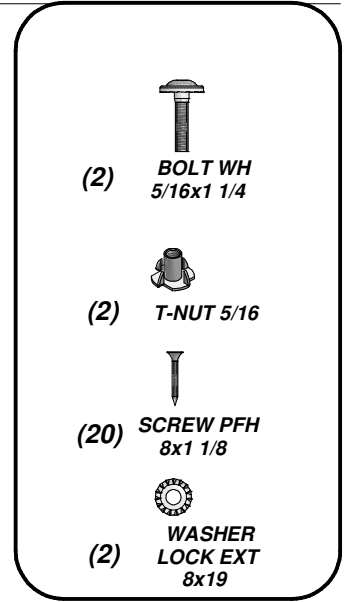


(1) WP7 - UPPER WALL PANEL - RIGHT - W2A01474  
1 1/4"x10 1/8"x47" (32x258x1194)



(1) WP6 - UPPER WALL PANEL - LEFT - W2A01475  
1 1/4"x10 1/8"x47" (32x258x1194)

**FORT ASSEMBLY  
STEP 41**





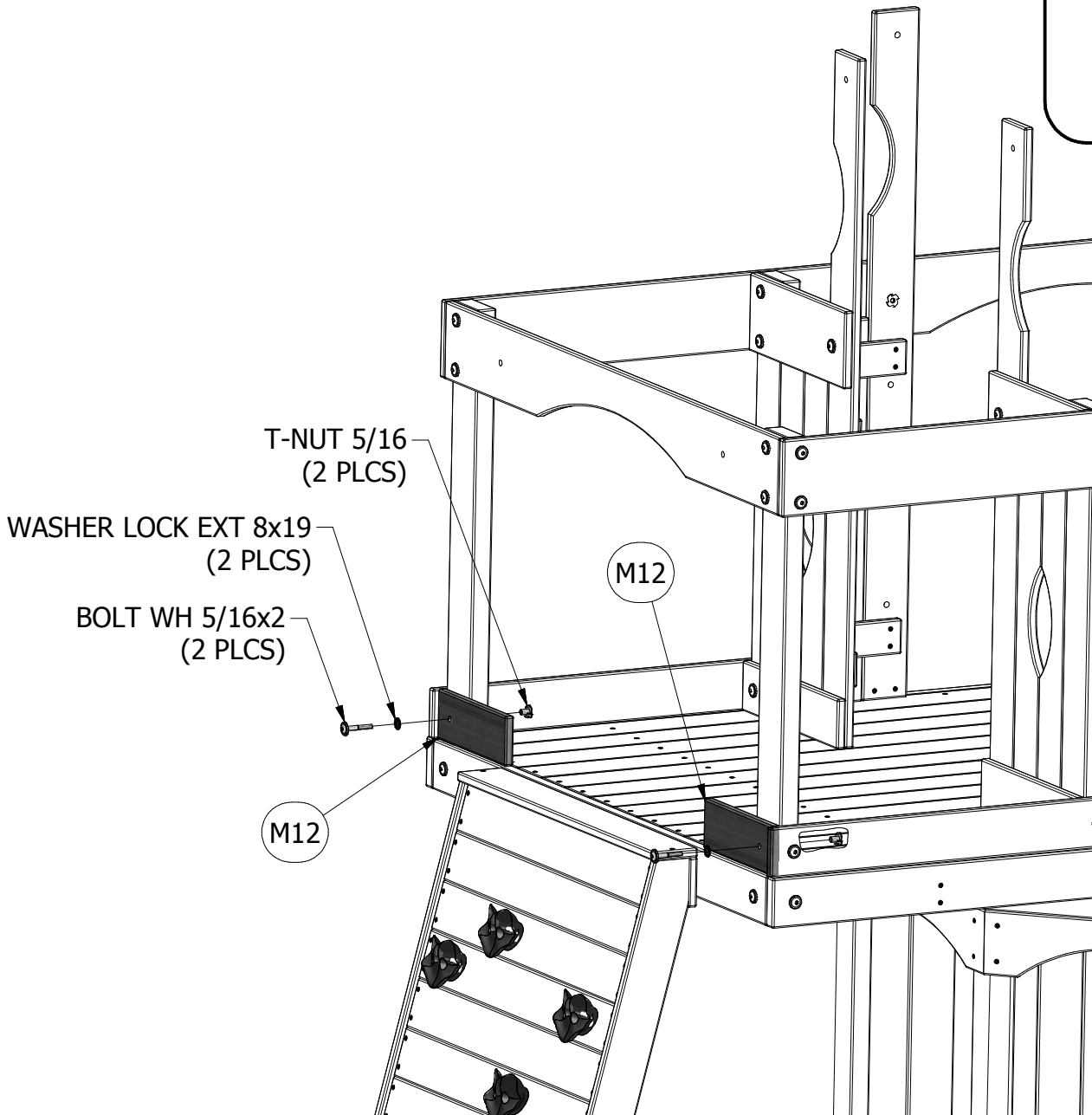
(2) **M12 - WALL RAIL - W4L04482**  
5/8"x3 3/8"x9 5/8" (16x86x244)

**FORT ASSEMBLY**  
**STEP 42**

(2) **BOLT WH**  
5/16x2

(2) **T-NUT** 5/16

(2) **WASHER**  
**LOCK EXT**  
8x19





(2) **M4 - WALL SLAT - W4L04487**  
5/8"x3 3/8"x29 7/8" (16x86x758)

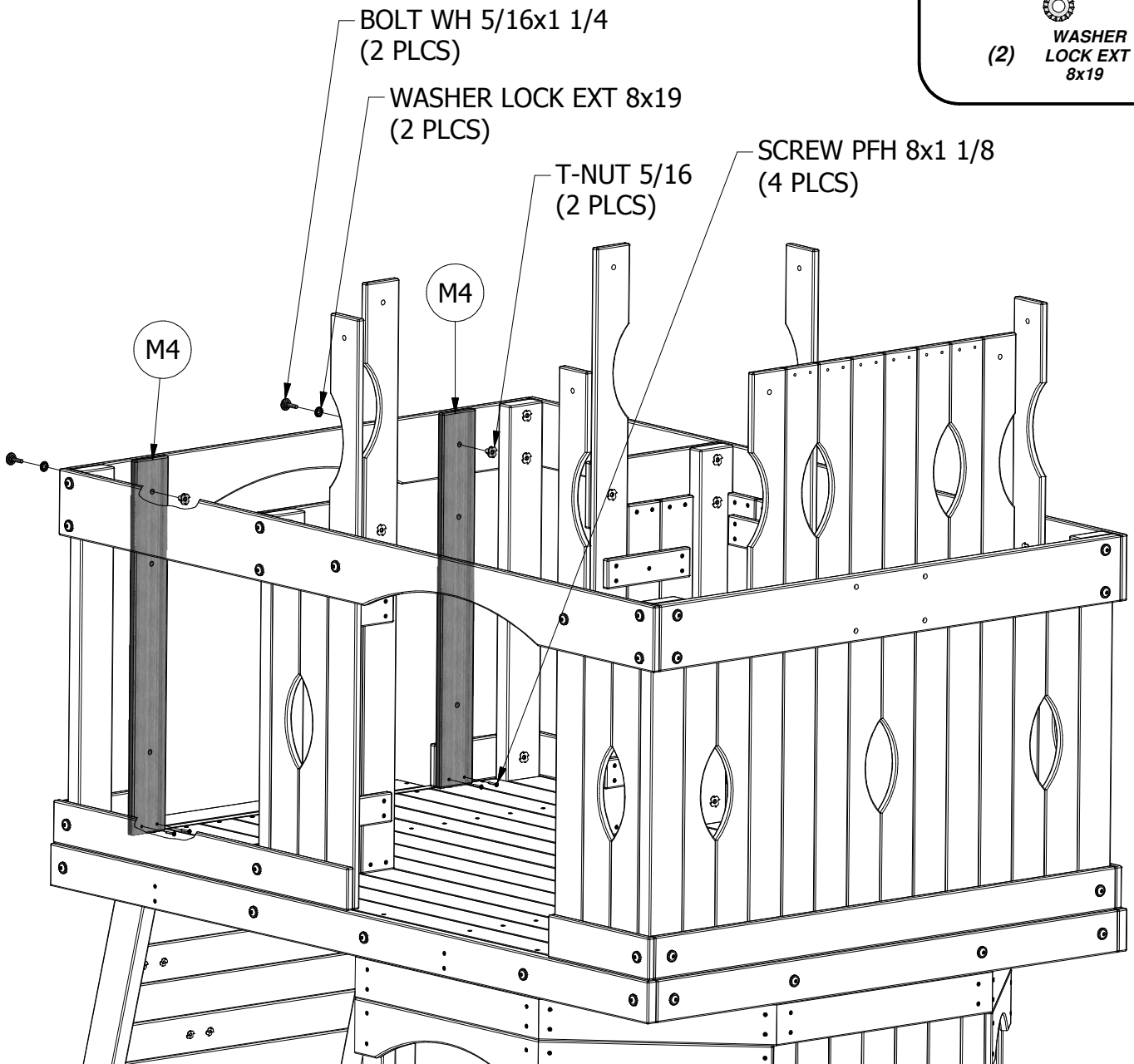
**FORT ASSEMBLY**  
**STEP 43**

(2) **BOLT WH**  
5/16x1 1/4

(4) **SCREW PFH**  
8x1 1/8

(2) **T-NUT** 5/16

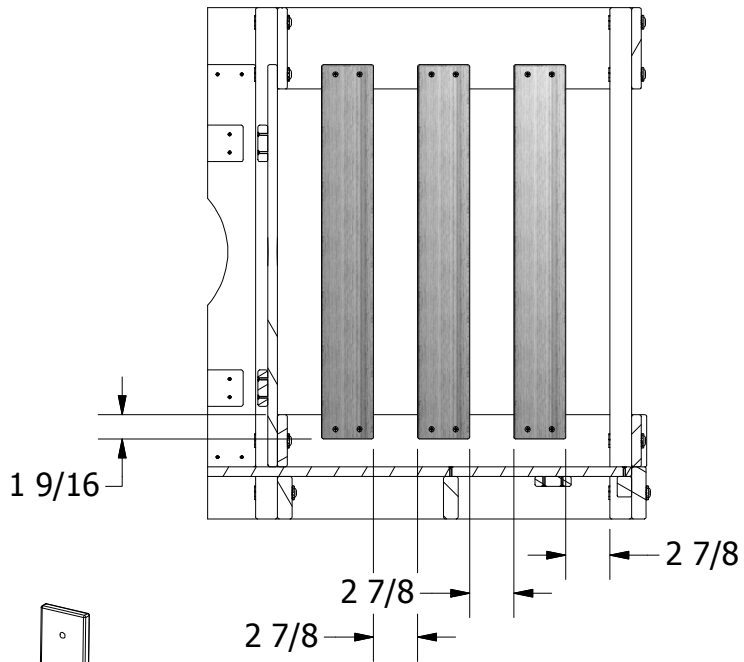
(2) **WASHER**  
LOCK EXT  
8x19



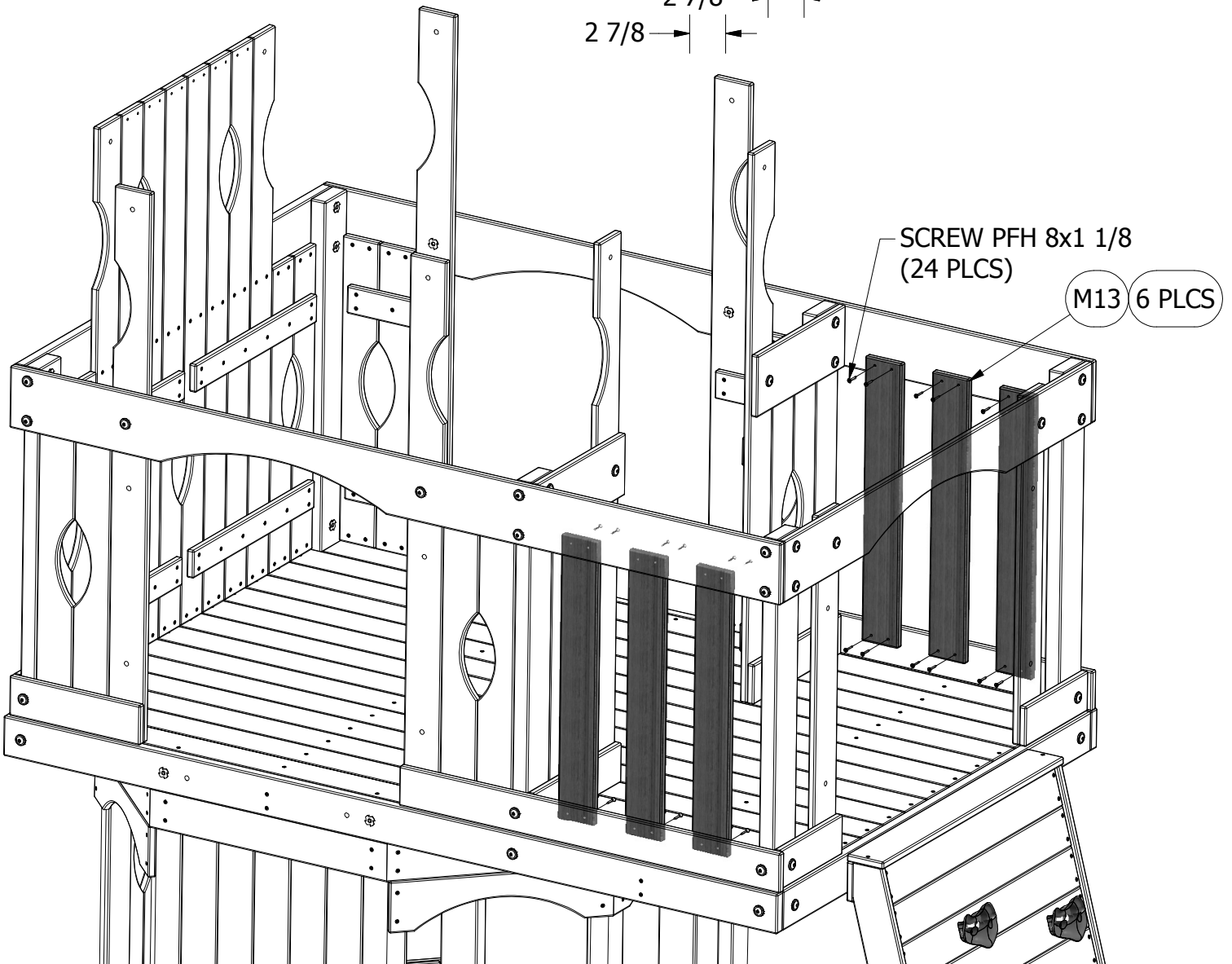


(6) **M13 - WALL SLAT - W4L04557**  
5/8"x3 3/8"x24 3/8" (16x86x618)

**FORT ASSEMBLY**  
**STEP 44**

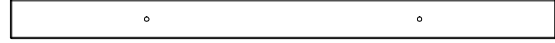


(24) **SCREW PFH**  
8x1 1/8



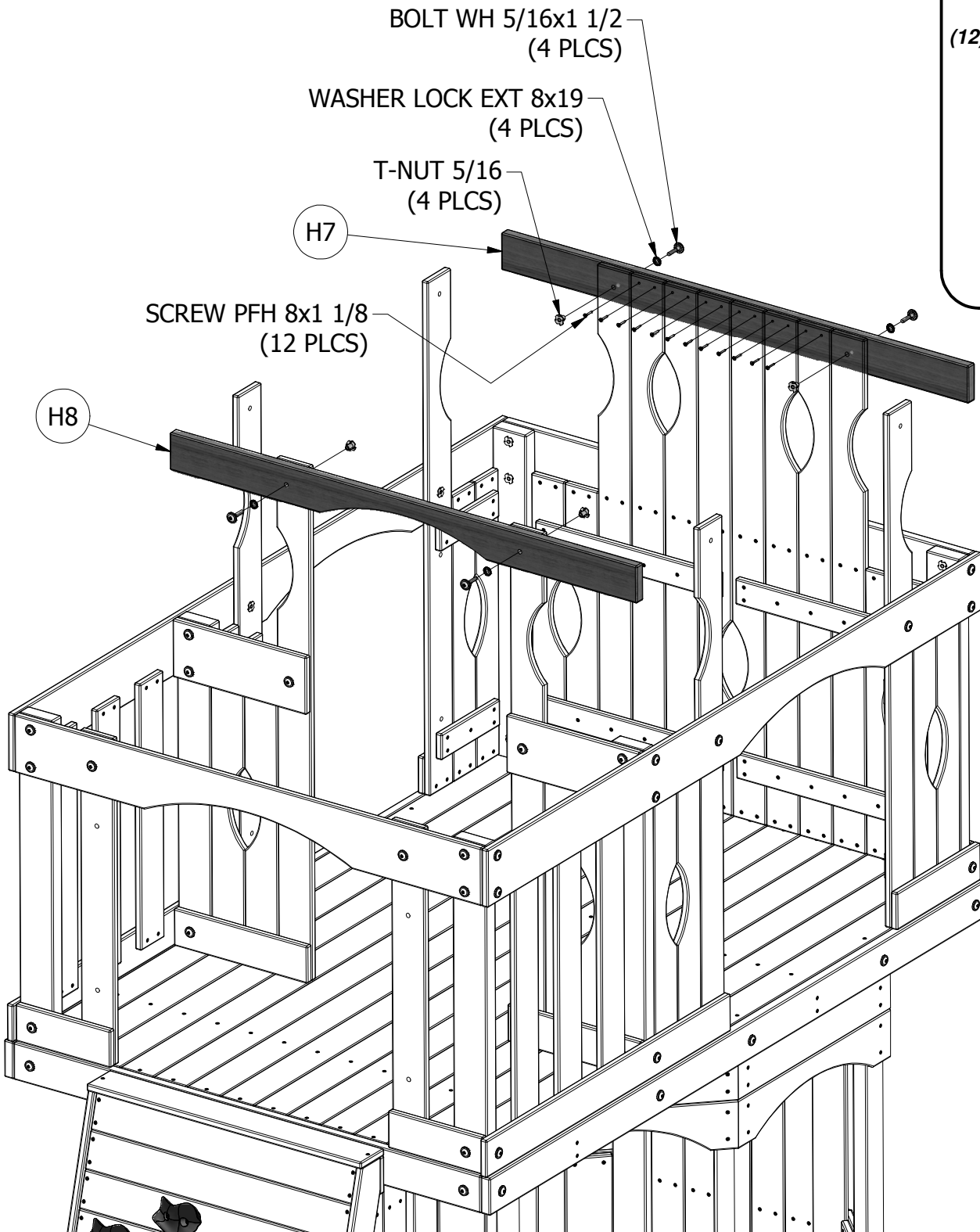


(1) **H8 - ARCHED ROOF SUPPORT - W4L04490**  
1"x3 3/8"x47 3/8" (24x86x1204)



(1) **H7 - ROOF SUPPORT - W4L04484**  
1"x3 3/8"x47 3/8" (24x86x1204)

### FORT ASSEMBLY STEP 45



(4) **BOLT WH**  
5/16x1 1/2

(12) **SCREW PFH**  
8x1 1/8

(4) **WASHER**  
**LOCK EXT**  
8x19

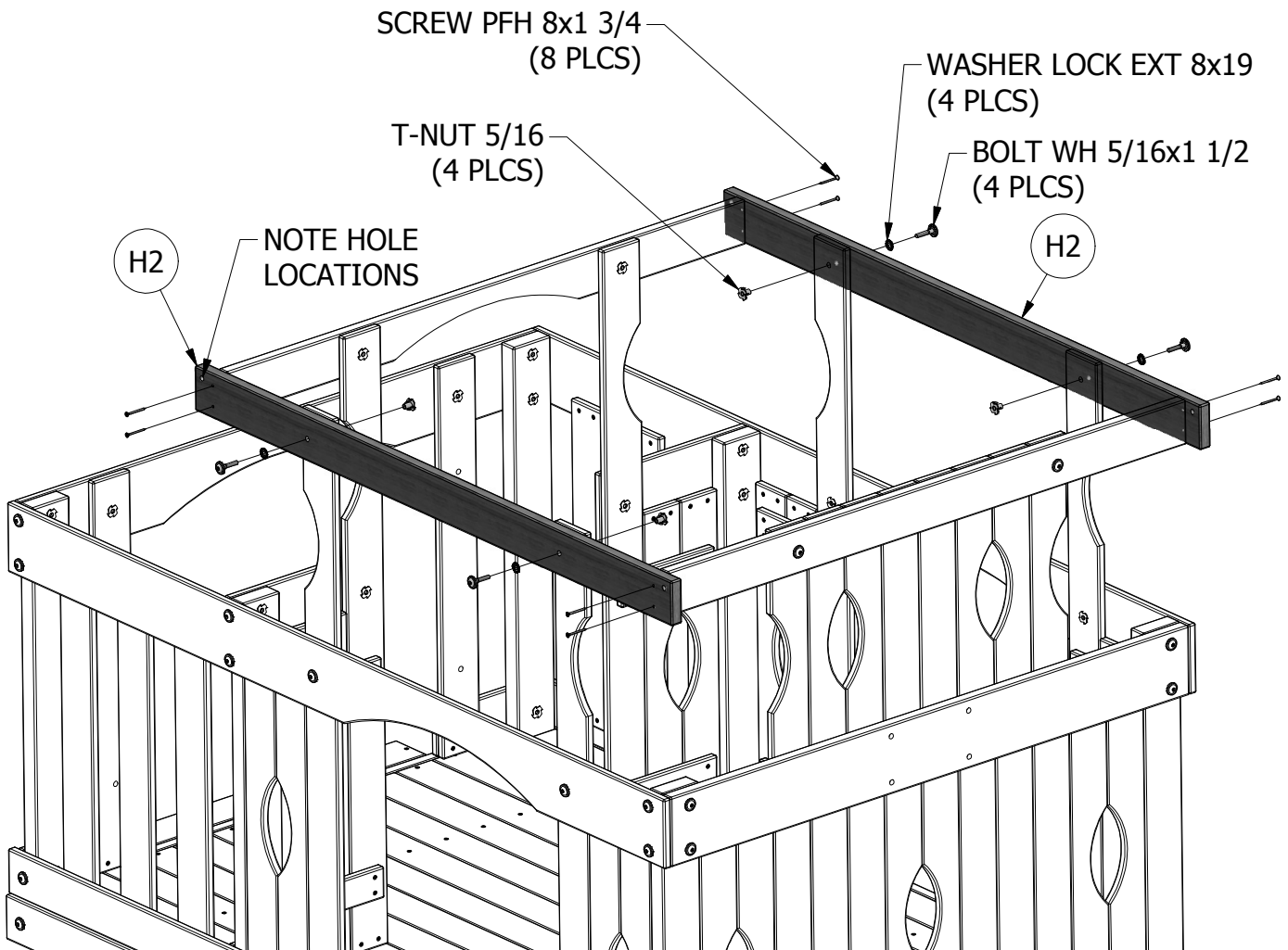
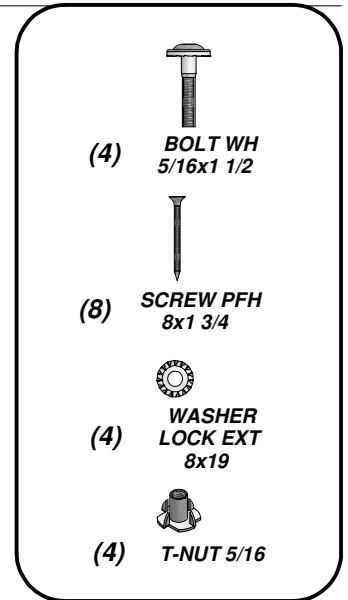
(4) **T-NUT** 5/16

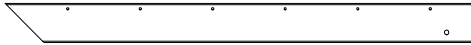


(2) **H2 - ROOF SUPPORT - W4L04491**  
1"x3 3/8"x52 1/4" (24x86x1328)

## FORT ASSEMBLY STEP 46

**INSTALL T-NUTS TO WALL BOARDS BEFORE ATTACHING 'H2'  
BOARDS TO FORT. BE SURE AND ORIENT THEM AS SHOWN,  
TO INSIDE OF CABIN.**





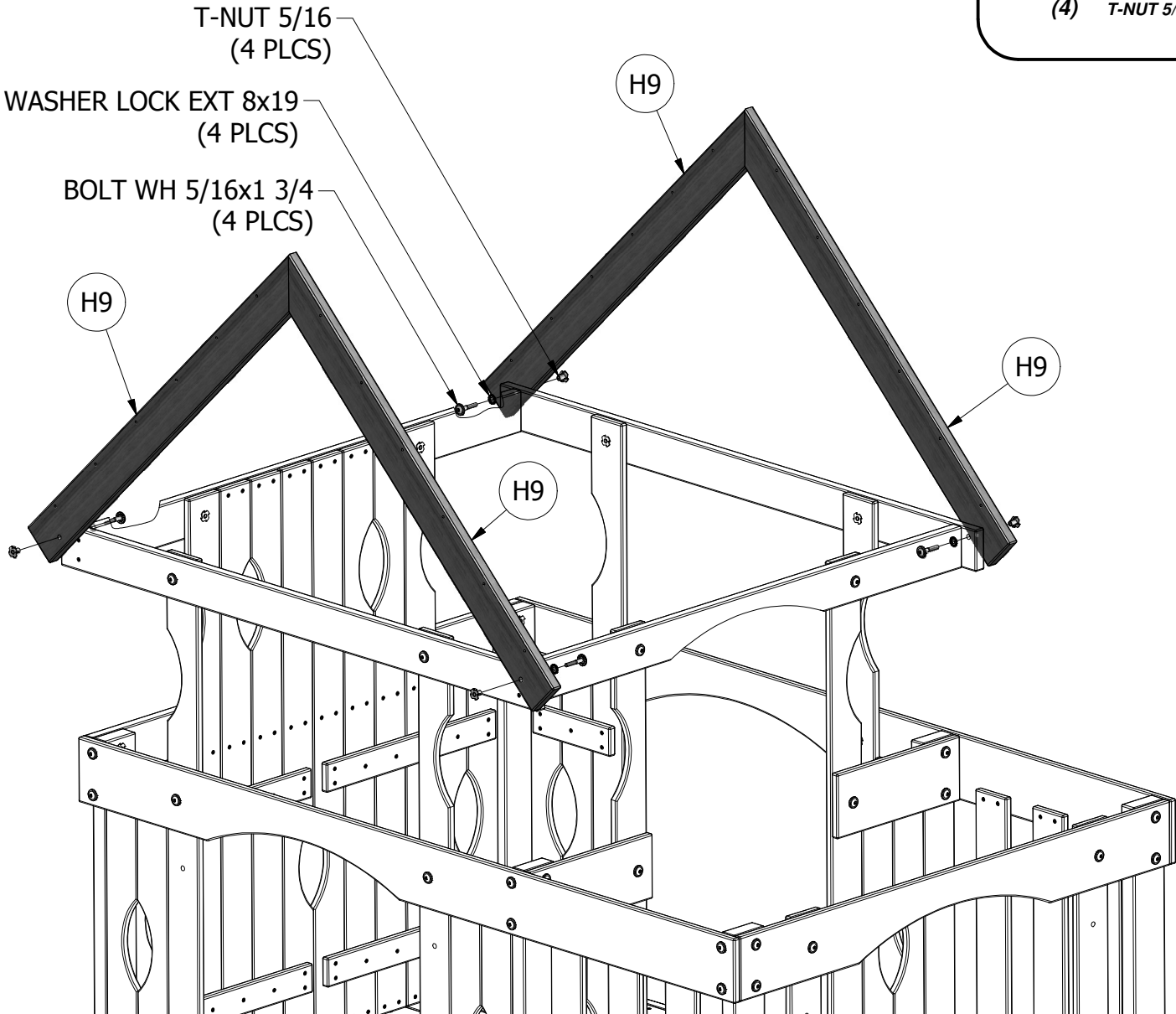
(4) **H9 - RAFTER - W4L04492**  
**1"x3 3/8"x40 7/8" (24x86x1038)**

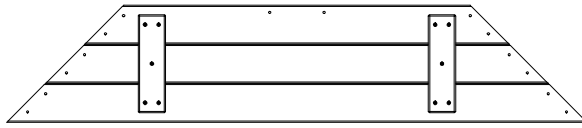
**FORT ASSEMBLY**  
**STEP 47**

(4) **BOLT WH**  
**5/16x1 3/4**

(4) **WASHER**  
**LOCK EXT**  
**8x19**

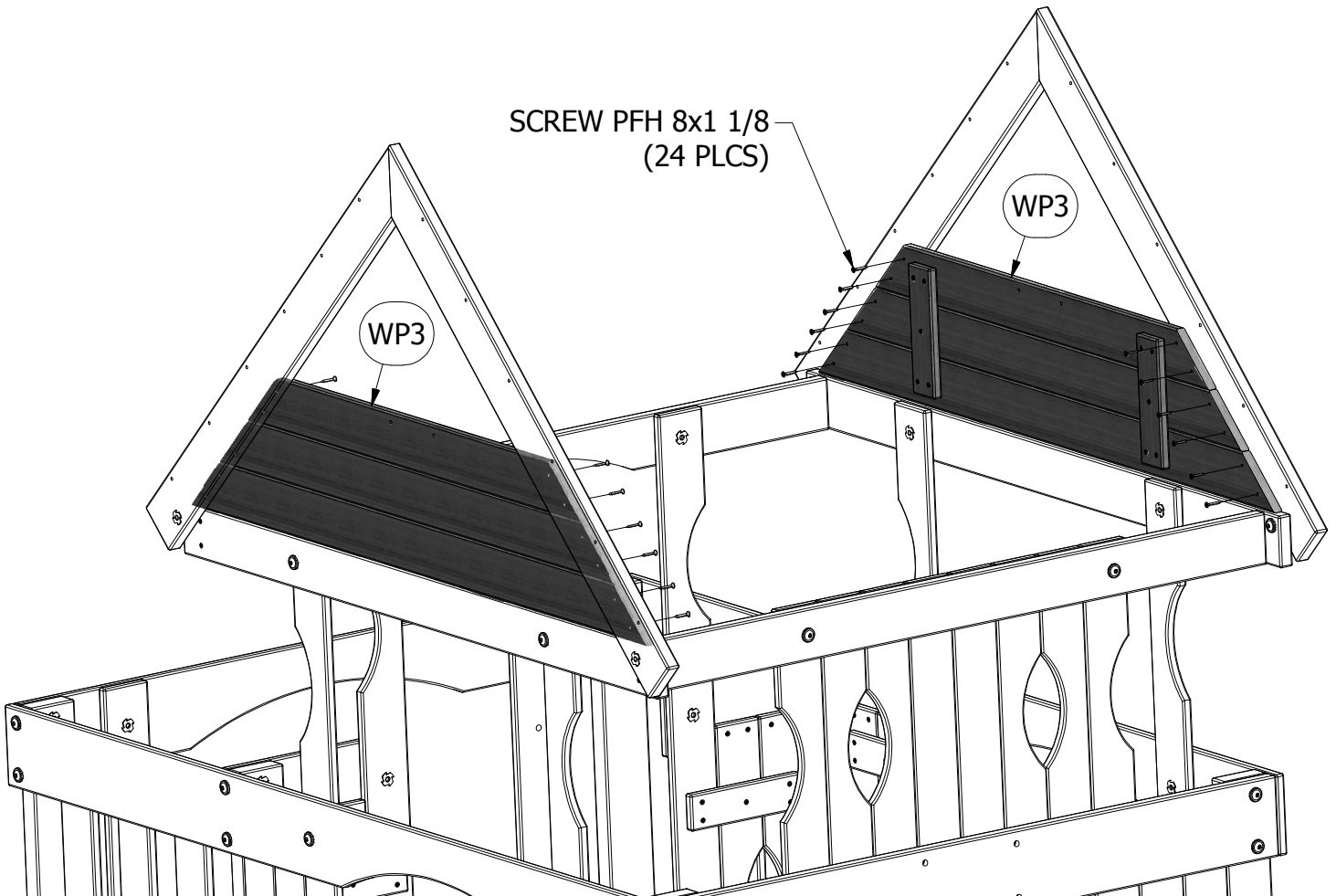
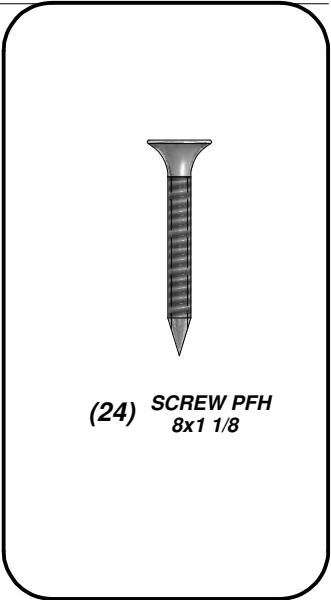
(4) **T-NUT 5/16**

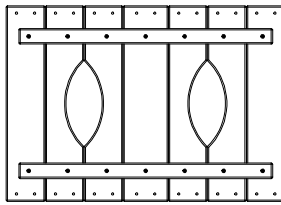




(2) **WP3 - GABLE - W2A01476**  
**1 1/4"x10 1/8"x50 3/8" (32x258x1280)**

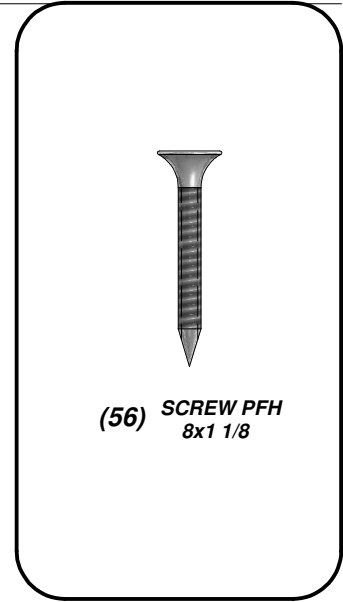
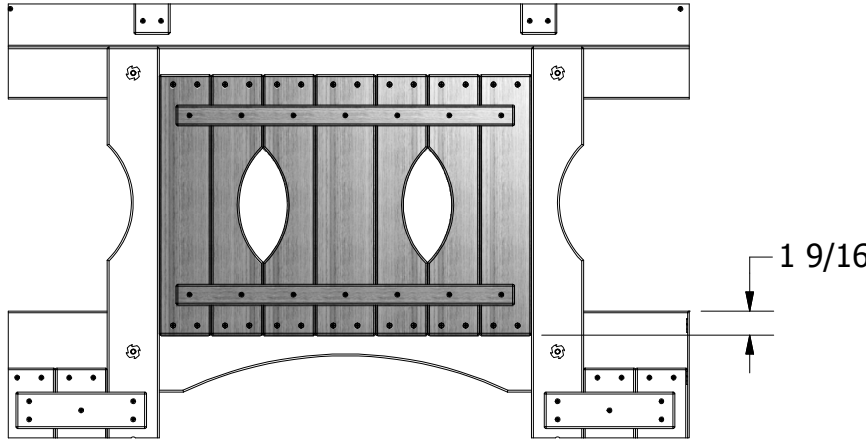
**FORT ASSEMBLY**  
**STEP 48**



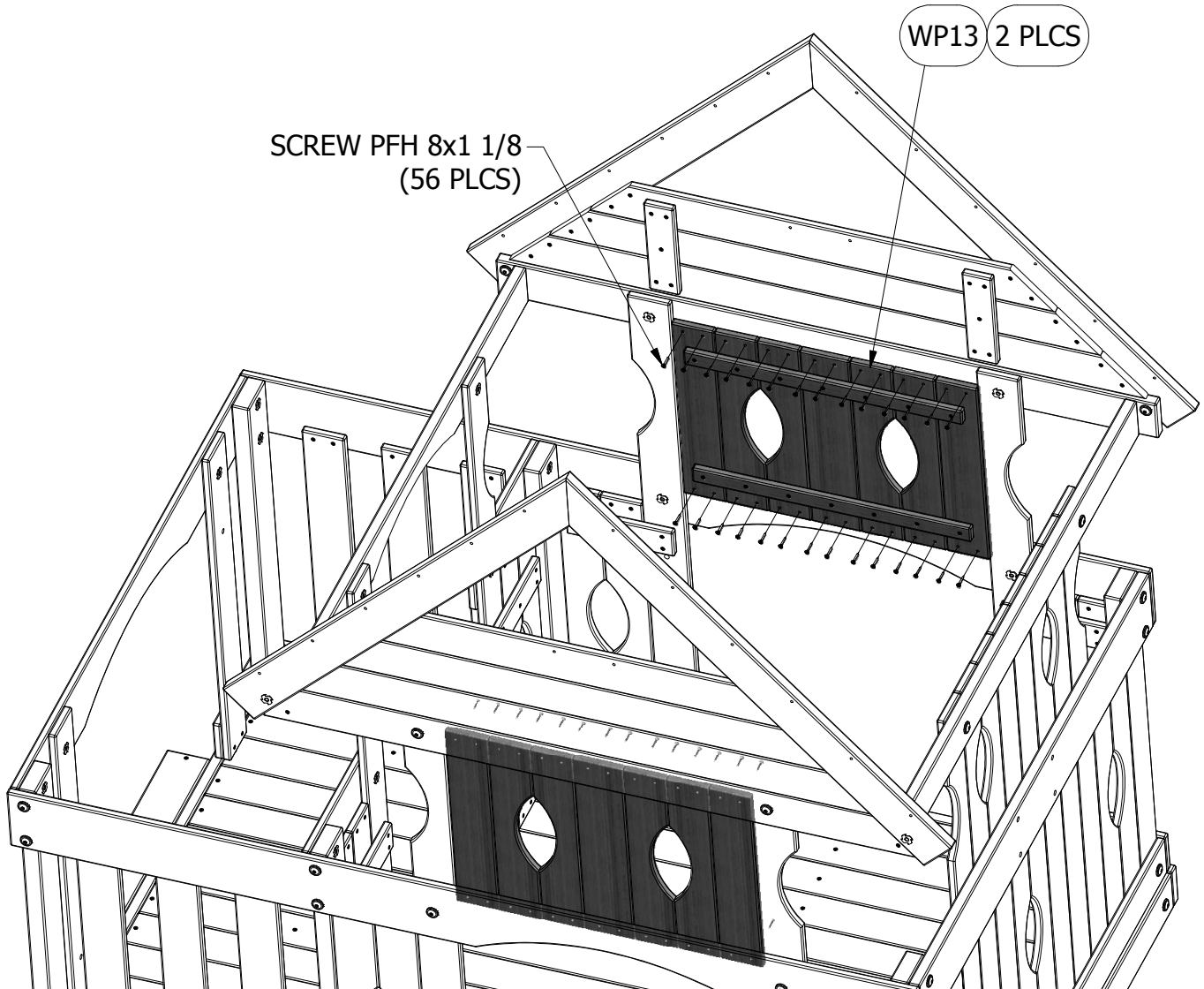


(2) WP13 - WALL PANEL - W2A01477  
1 1/4"x16 5/8"x24 1/4" (32x430x616)

**FORT ASSEMBLY  
STEP 49**



(56) SCREW PFH  
8x1 1/8





(2) **N5 - SUNBURST BOARD - W4L04493**  
5/8"x2 3/8"x15" (16x60x382)



(4) **N6 - SUNBURST BOARD - W4L04494**  
5/8"x2 3/8"x9" (16x60x230)

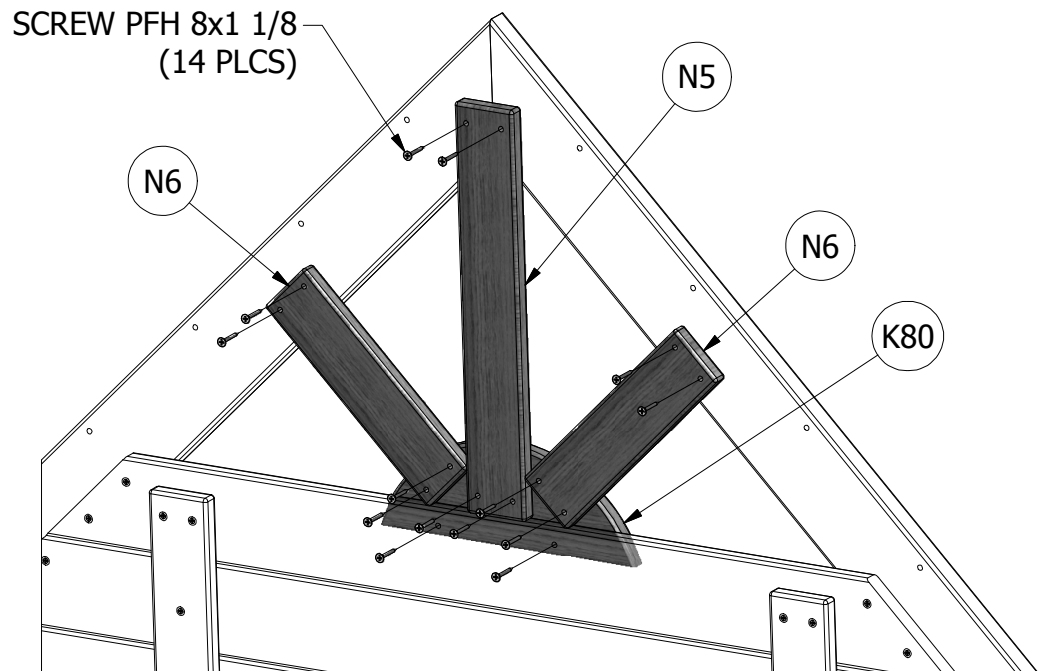
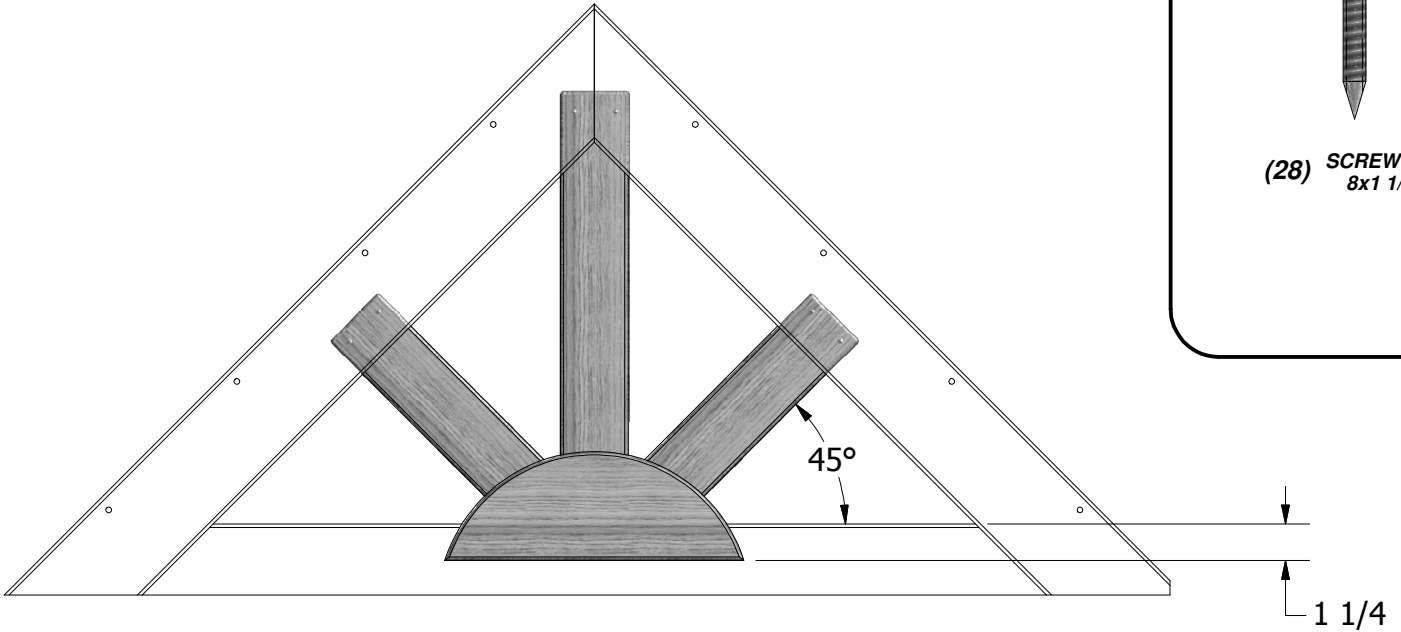
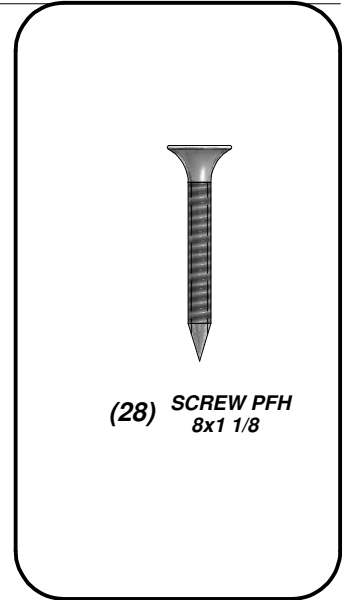


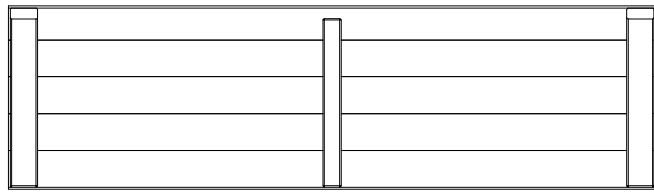
(2) **K80 - SUNBURST HALF MOON - W103694**  
5/8"x3 3/4"x10 3/8" (16x96x264)

**FORT ASSEMBLY**  
**STEP 50**

**ATTACH SUNBURST BOARDS AS SHOWN ON ONE SIDE OF FORT.**

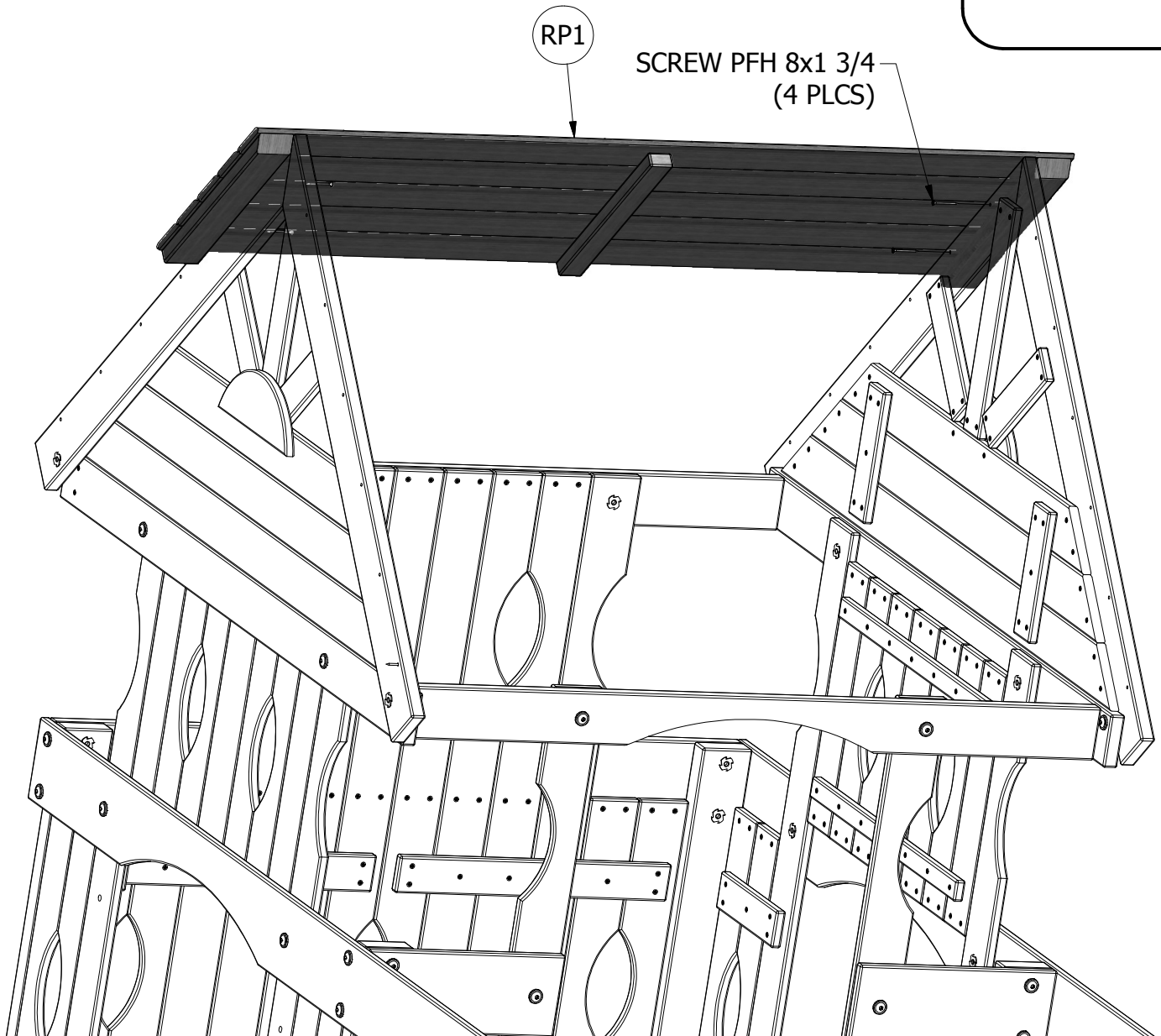
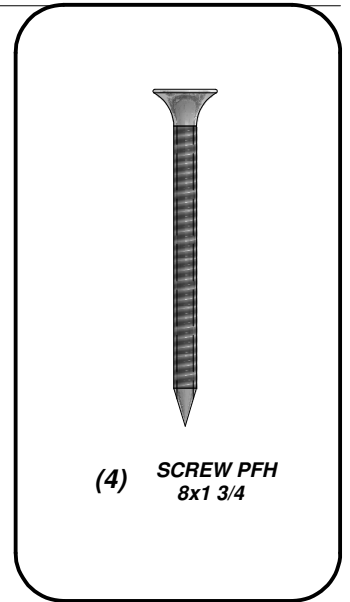
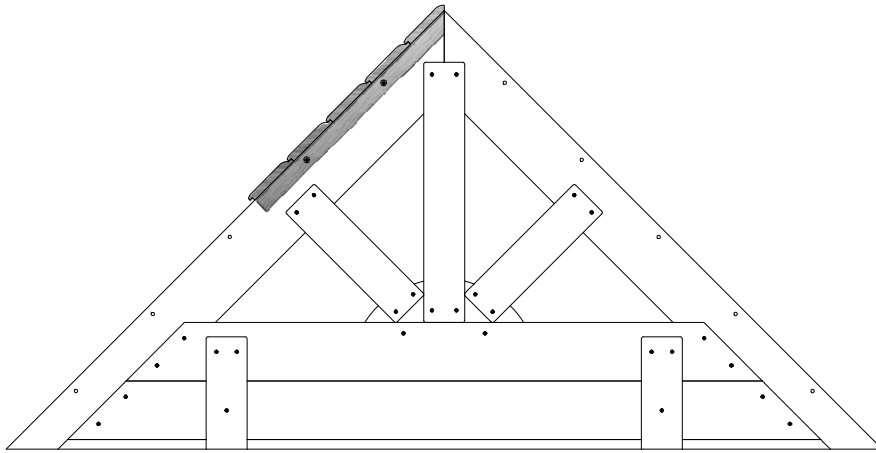
**REPEAT THIS STEP ON OTHER SIDE OF FORT.**

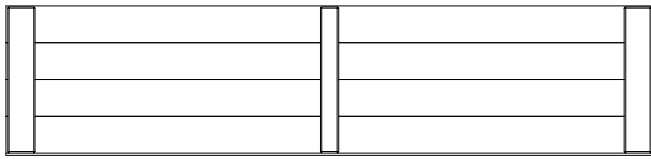




(1) **RP1 - PEAK ROOF PANEL - W2A01478**  
1 3/8"x15 7/8"x56 1/4" (35x404x1428)

**FORT ASSEMBLY**  
**STEP 51**



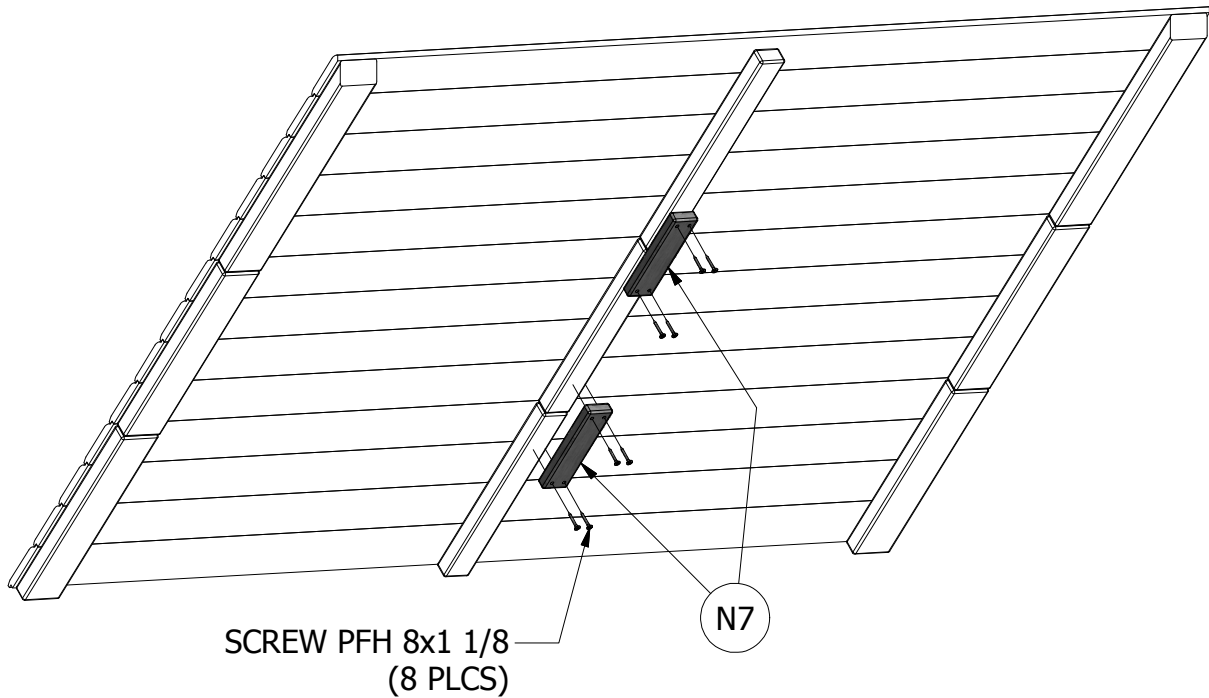
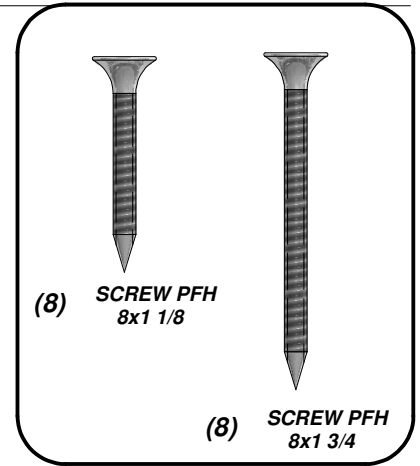
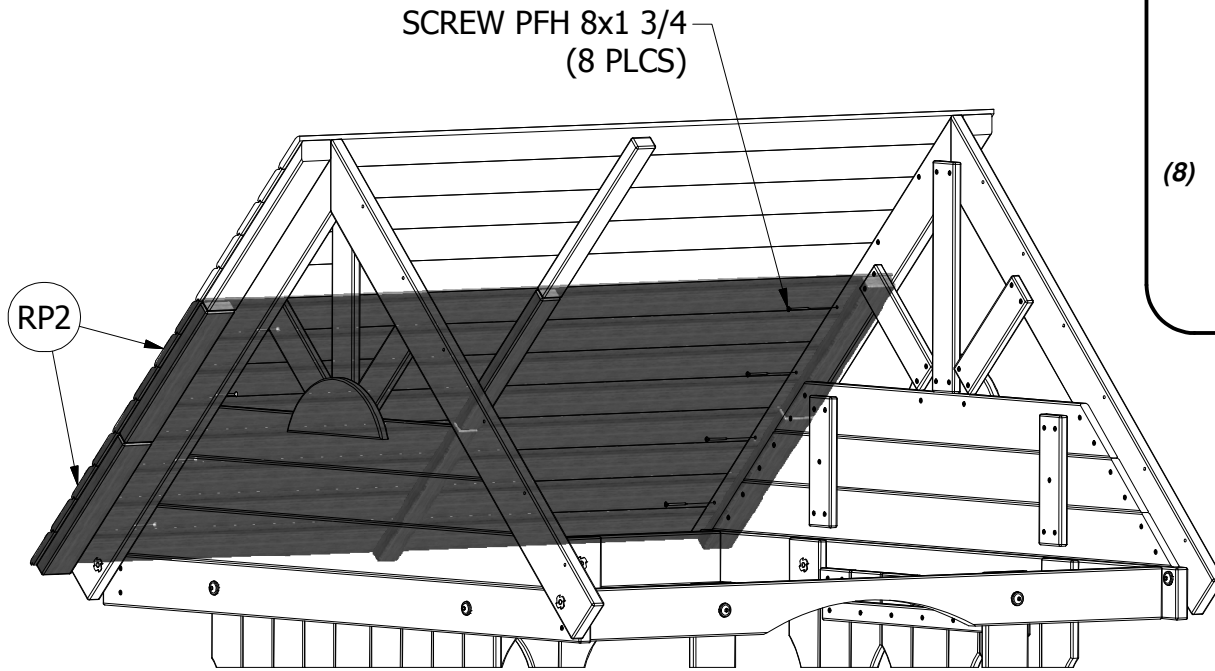


(2) **RP2 - ROOF PANEL - W2A01479**  
1 3/8"x13"x56 1/4" (35x329x1428)



(2) **N7 - ROOF CLEAT TIE BLOCK - W4L04874**  
5/8"x1 5/8"x6" (16x40x152)

**FORT ASSEMBLY**  
**STEP 52**



---

**FORT ASSEMBLY**  
**STEP 53**

**REPEAT STEPS 51 AND 52 TO ATTACH ROOF BOARDS TO OTHER SIDE OF FORT.**

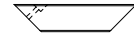




(1) **K4 - CENTER SHELF - W4L04545**  
5/8"x5 1/4"x30 3/8" (16x134x772)

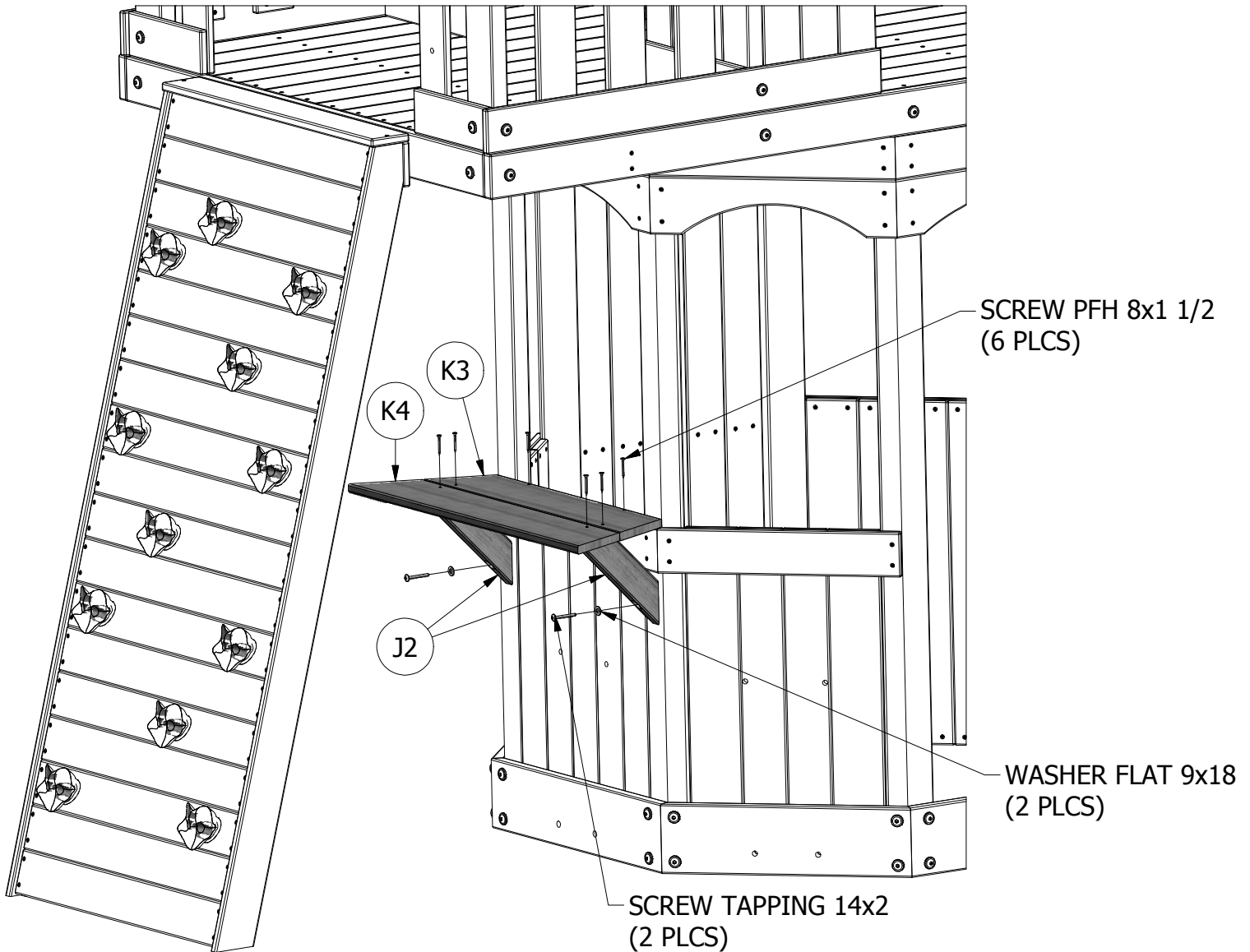
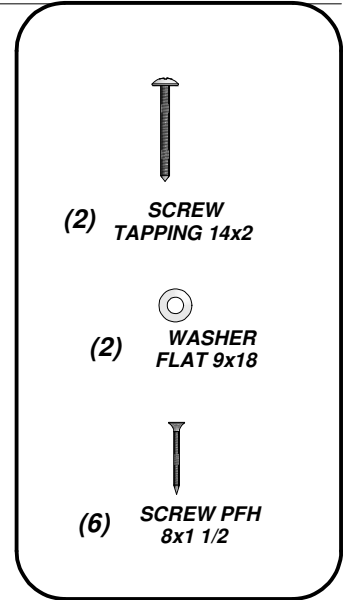


(1) **K3 - CENTER SHELF - W4L04544**  
5/8"x5 1/4"x26" (16x134x661)



(2) **J2 - INNER SHELF BRACE - W4L04549**  
1"x2 3/8"x10 5/8" (24x60x270)

## FORT ASSEMBLY STEP 54



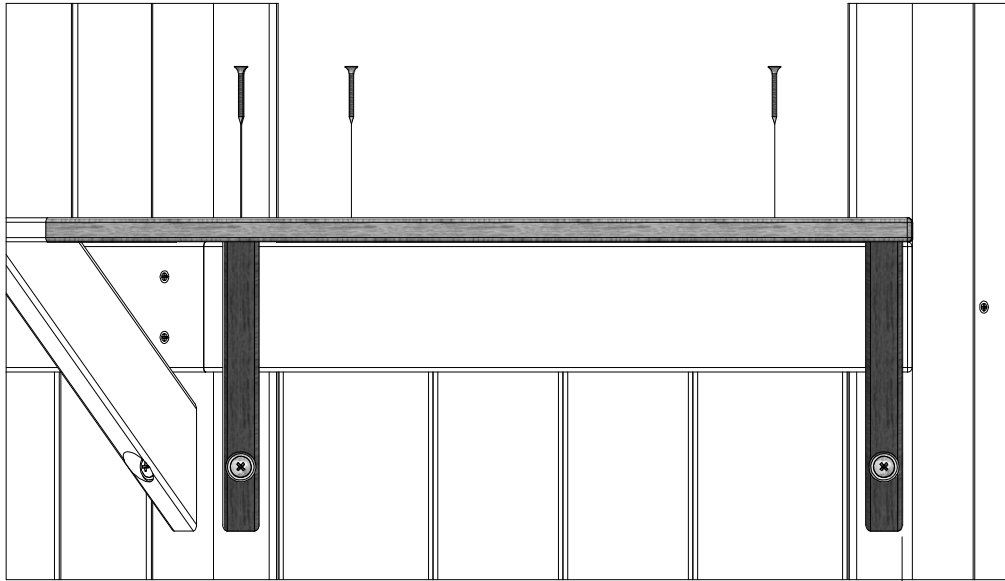
(1) **K5 - OUTER SHELF - W4L04547**  
5/8"x5 1/4"x22 1/2" (16x134x573)

(1) **K6 - OUTER SHELF - W4L04546**  
5/8"x5 1/4"x20 3/8" (16x134x518)

(1) **J2 - INNER SHELF BRACE - W4L04549**  
1"x2 3/8"x10 5/8" (24x60x270)

(1) **J1 - OUTER SHELF BRACE - W4L04550**  
1"x2 3/8"x10 5/8" (24x60x270)

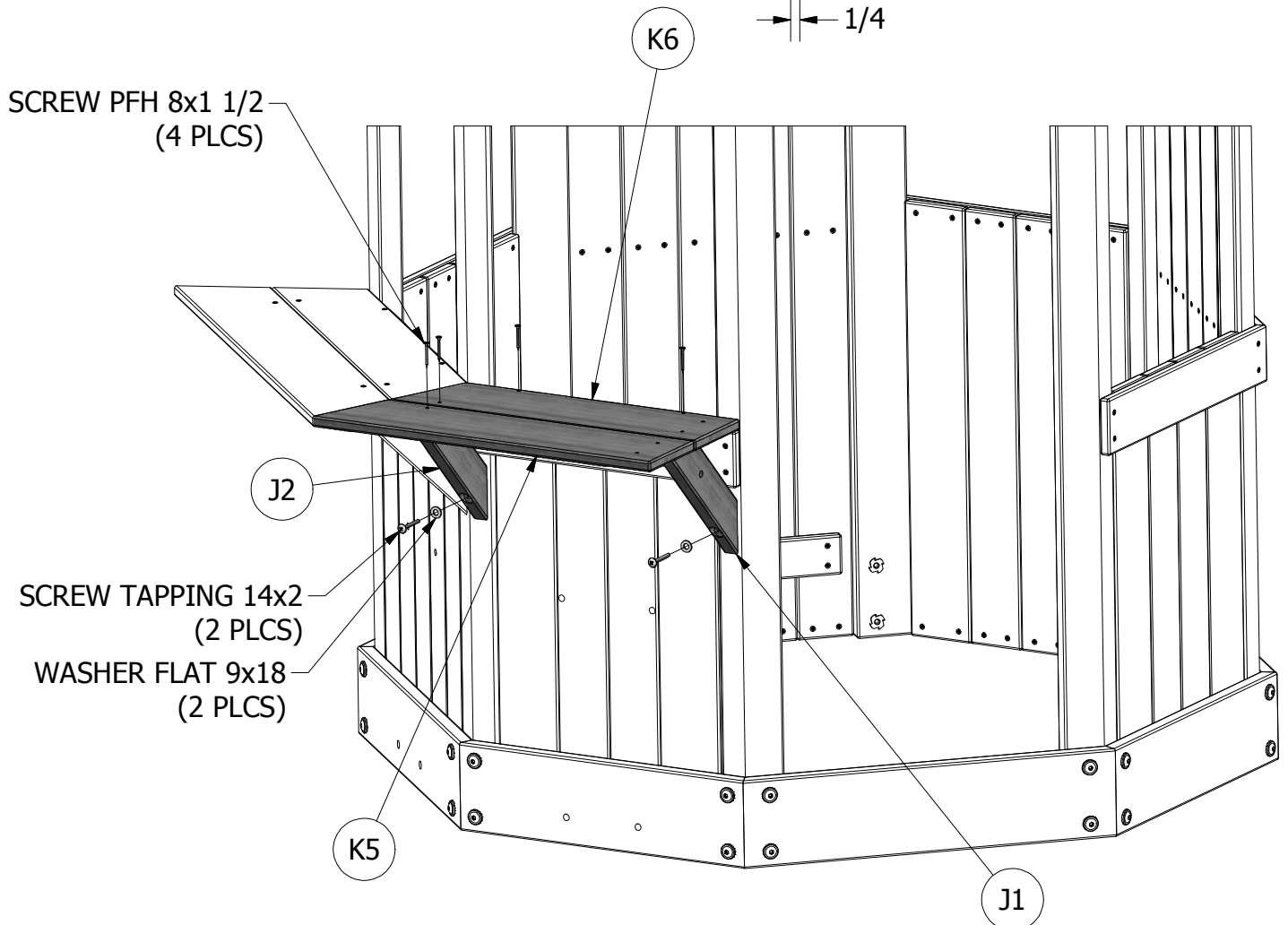
**FORT ASSEMBLY**  
**STEP 55**

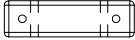


(2) **SCREW TAPPING 14x2**

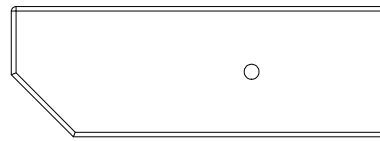
(2) **WASHER FLAT 9x18**

(4) **SCREW PFH 8x1 1/2**



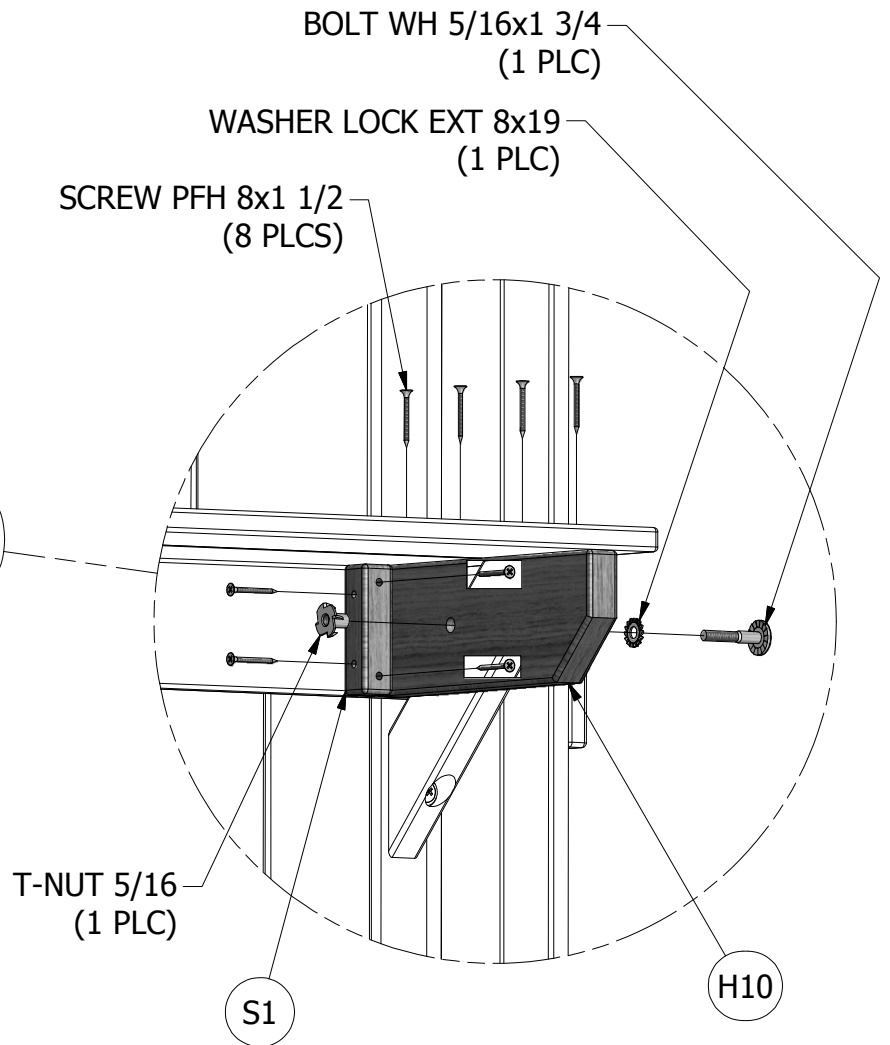
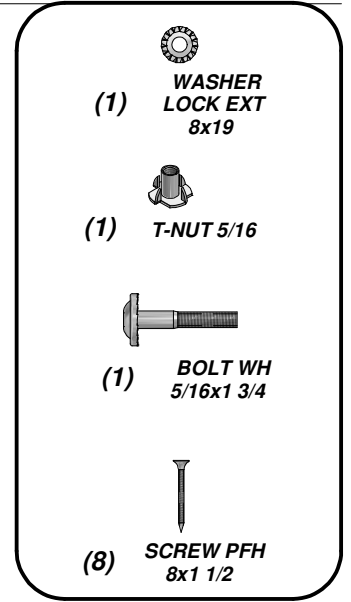
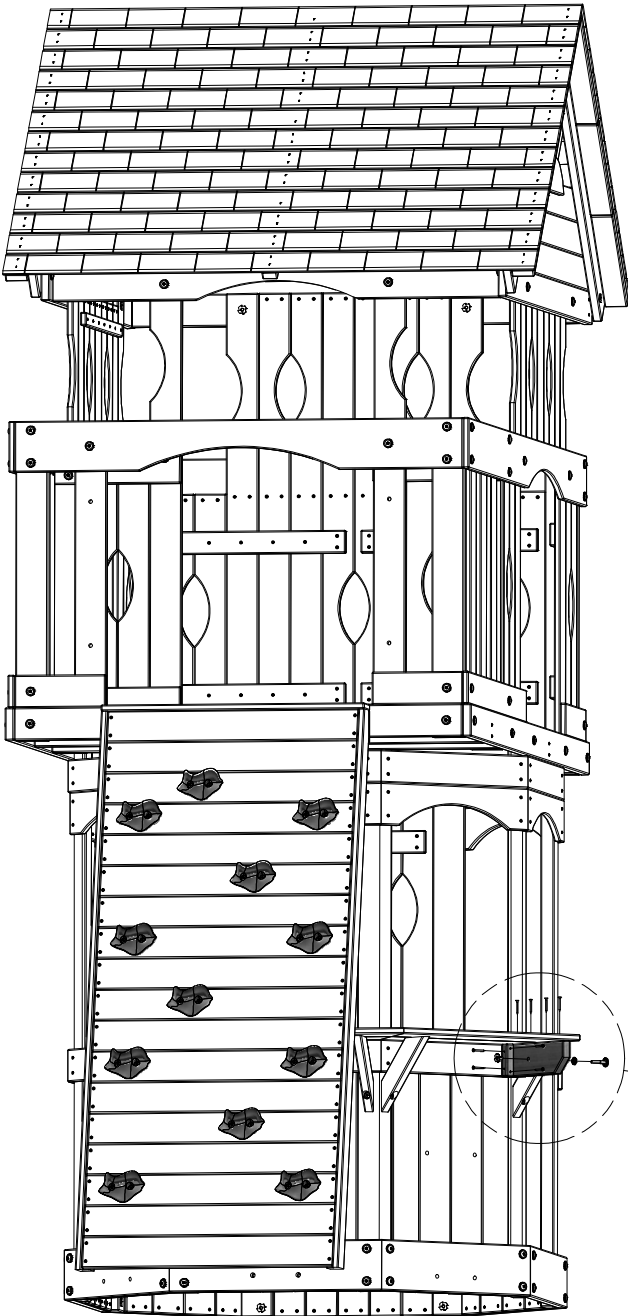


(1) **S1 - ATTACHMENT BLOCK - W4L04552**  
1"x1"x3 3/8" (24x24x86)



(1) **H10 - SHELF SUPPORT - W4L04551**  
1"x3 3/8"x9 3/4" (24x86x248)

### FORT ASSEMBLY STEP 56



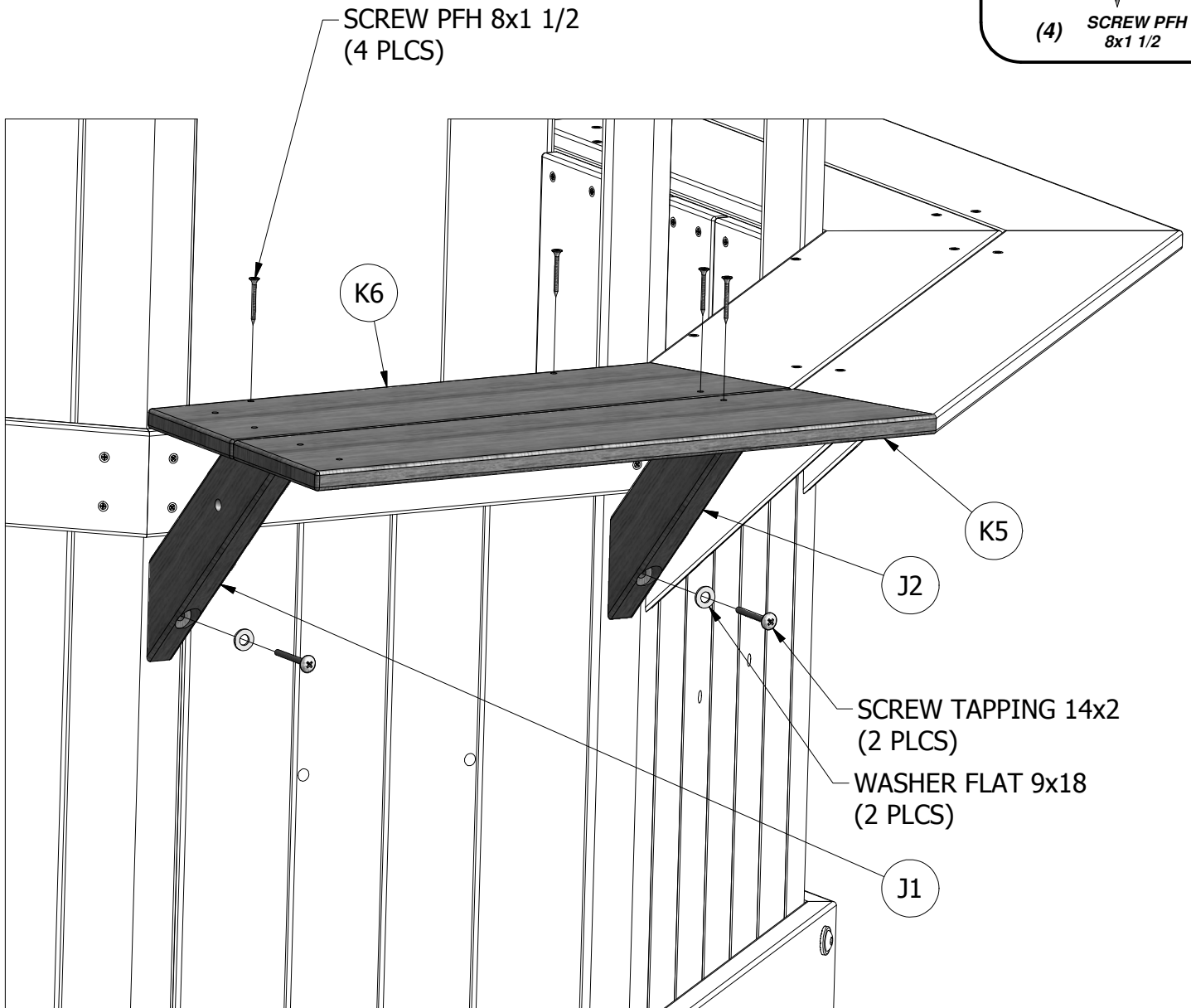
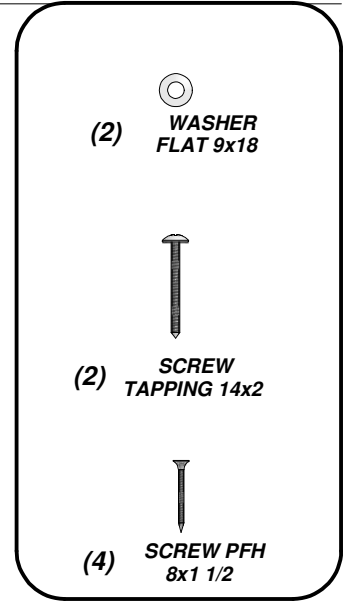
(1) **K6 - OUTER SHELF - W4L04546**  
 5/8"x5 1/4"x20 3/8" (16x134x518)

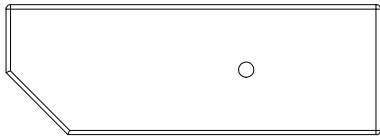
(1) **K5 - OUTER SHELF - W4L04547**  
 5/8"x5 1/4"x22 1/2" (16x134x573)

(1) **J2 - INNER SHELF BRACE - W4L04549**  
 1"x2 3/8"x10 5/8" (24x60x270)

(1) **J1 - OUTER SHELF BRACE - W4L04550**  
 1"x2 3/8"x10 5/8" (24x60x270)

**FORT ASSEMBLY**  
**STEP 57**



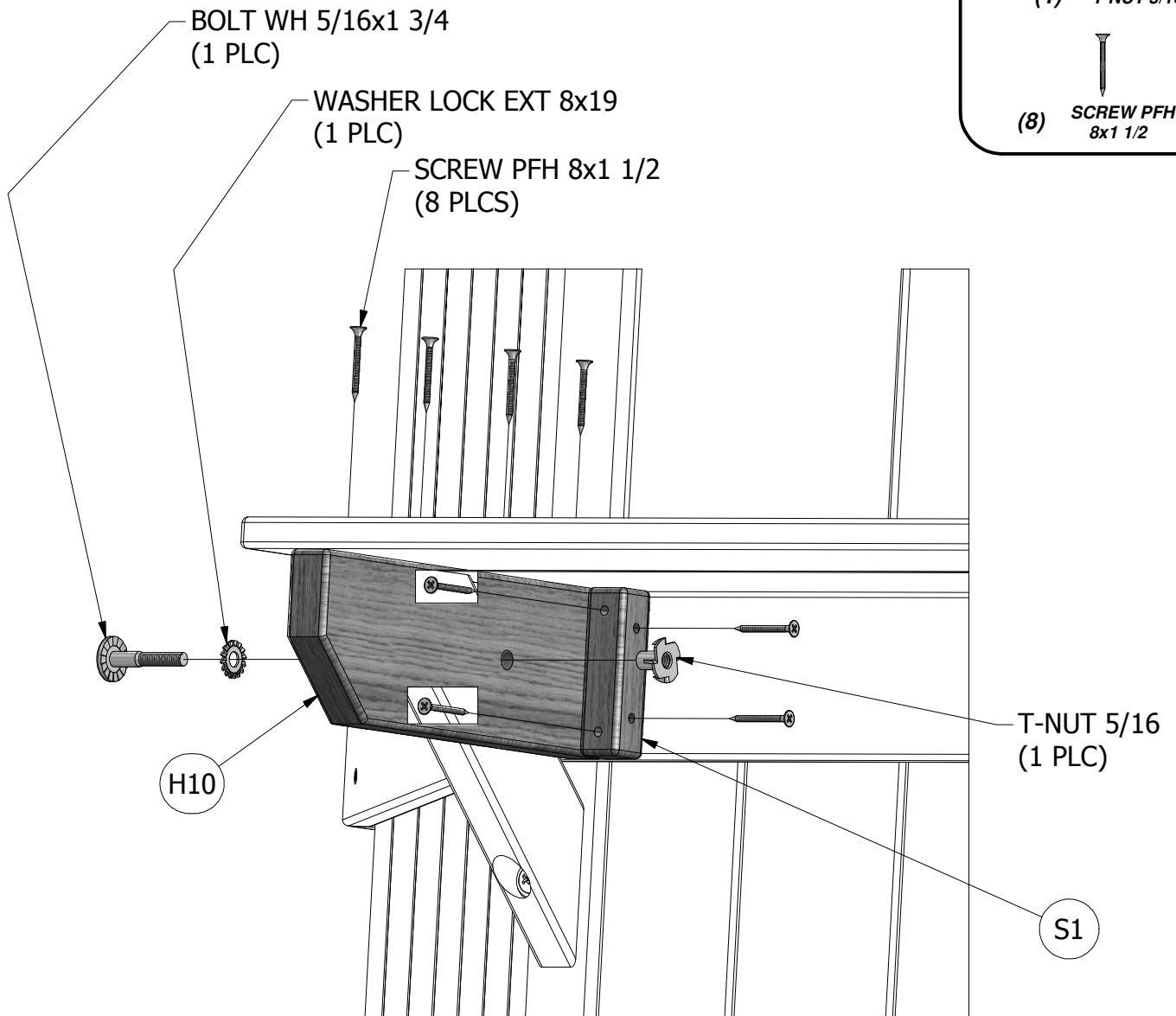
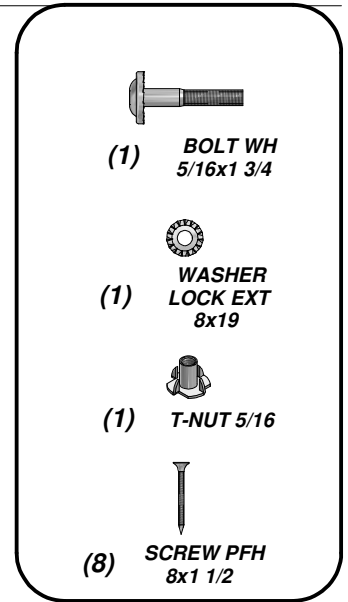


(1) **H10 - SHELF SUPPORT - W4L04551**  
1"x3 3/8"x9 3/4" (24x86x248)



(1) **S1 - ATTACHMENT BLOCK - W4L04552**  
1"x1"x3 3/8" (24x24x86)

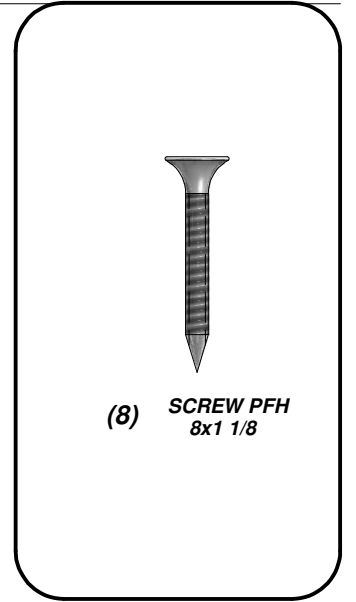
### FORT ASSEMBLY STEP 58



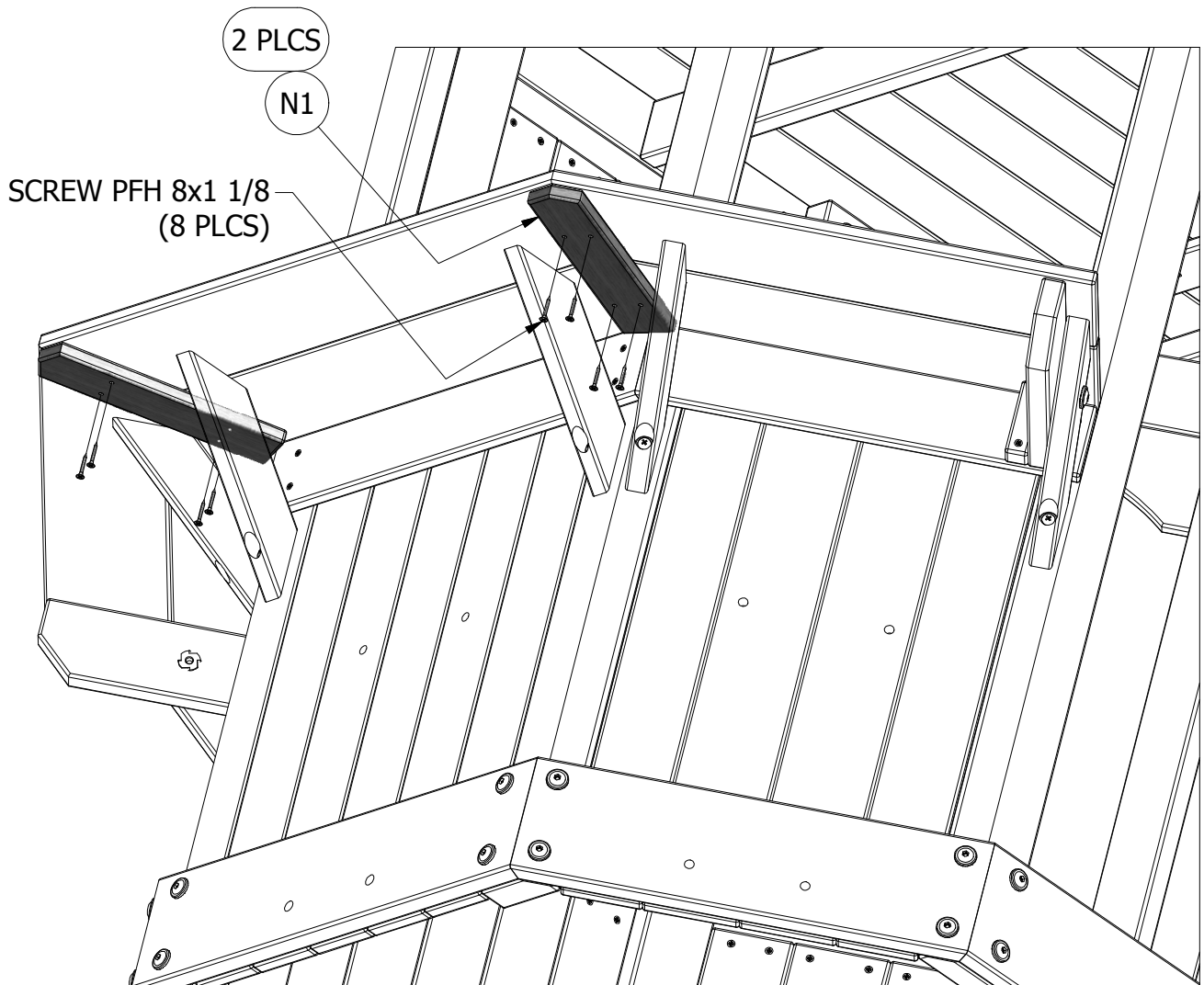


(2) **N1 - SHELF CLEAT - W4L04548**  
5/8"x2 3/8"x10 1/2" (16x60x268)

**FORT ASSEMBLY**  
**STEP 59**



(8) **SCREW PFH**  
8x1 1/8

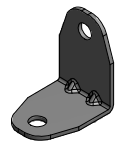




(2) H13 - SEAT SUPPORT RAIL - W4L04558  
1"x3 3/8"x18 5/8" (24x86x472)



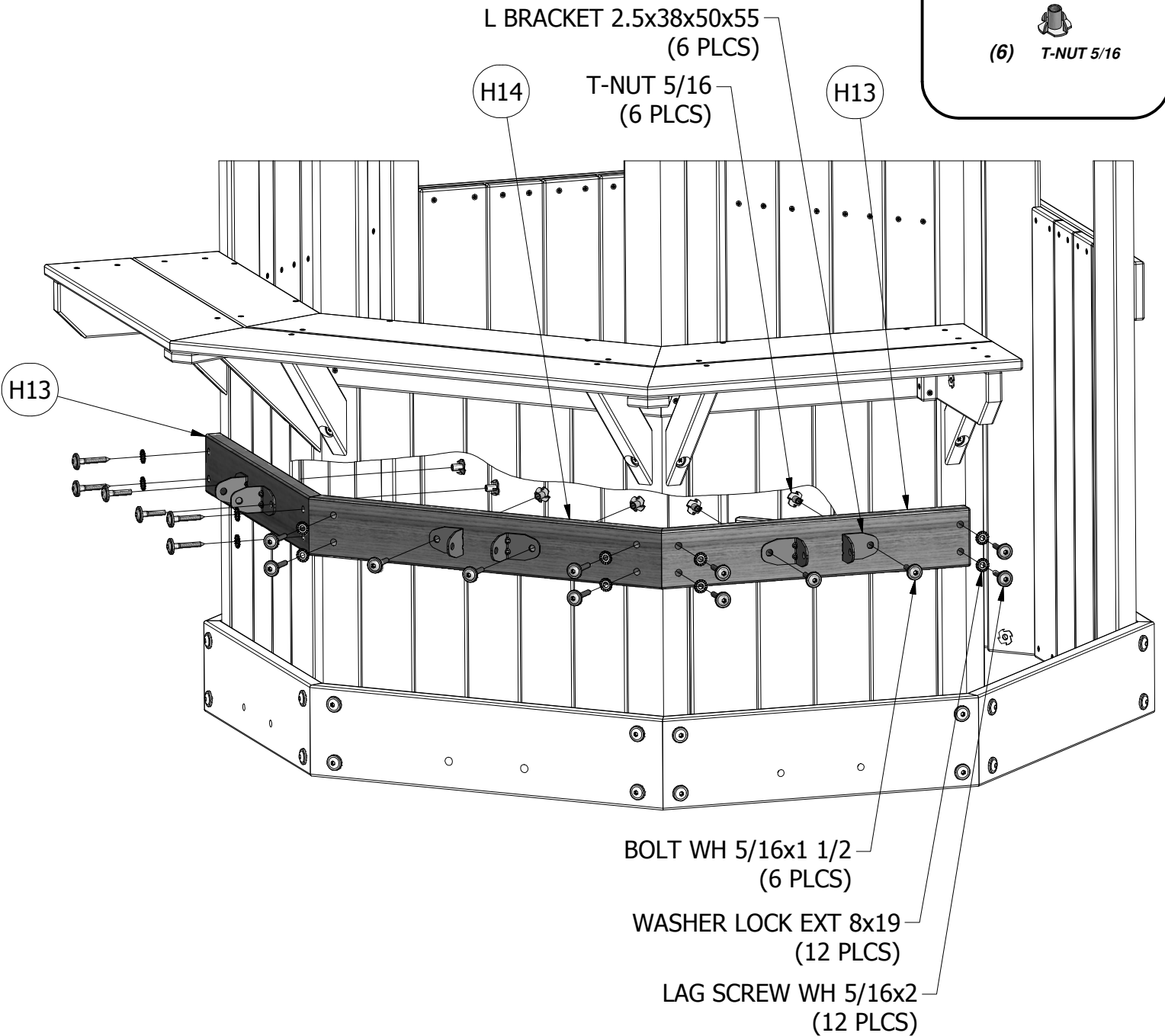
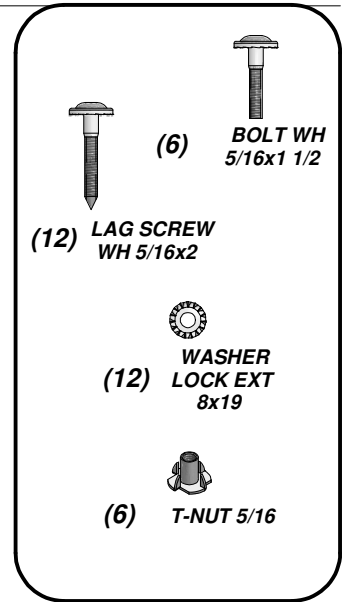
(1) H14 - SEAT SUPPORT RAIL CENTER - W4L04559  
1"x3 3/8"x22" (24x86x570)



(6) TZ - L BRACKET 2.5x38x50x55 - A100340

### FORT ASSEMBLY STEP 60

ROCKWALL NOT SHOWN IN THIS VIEW.



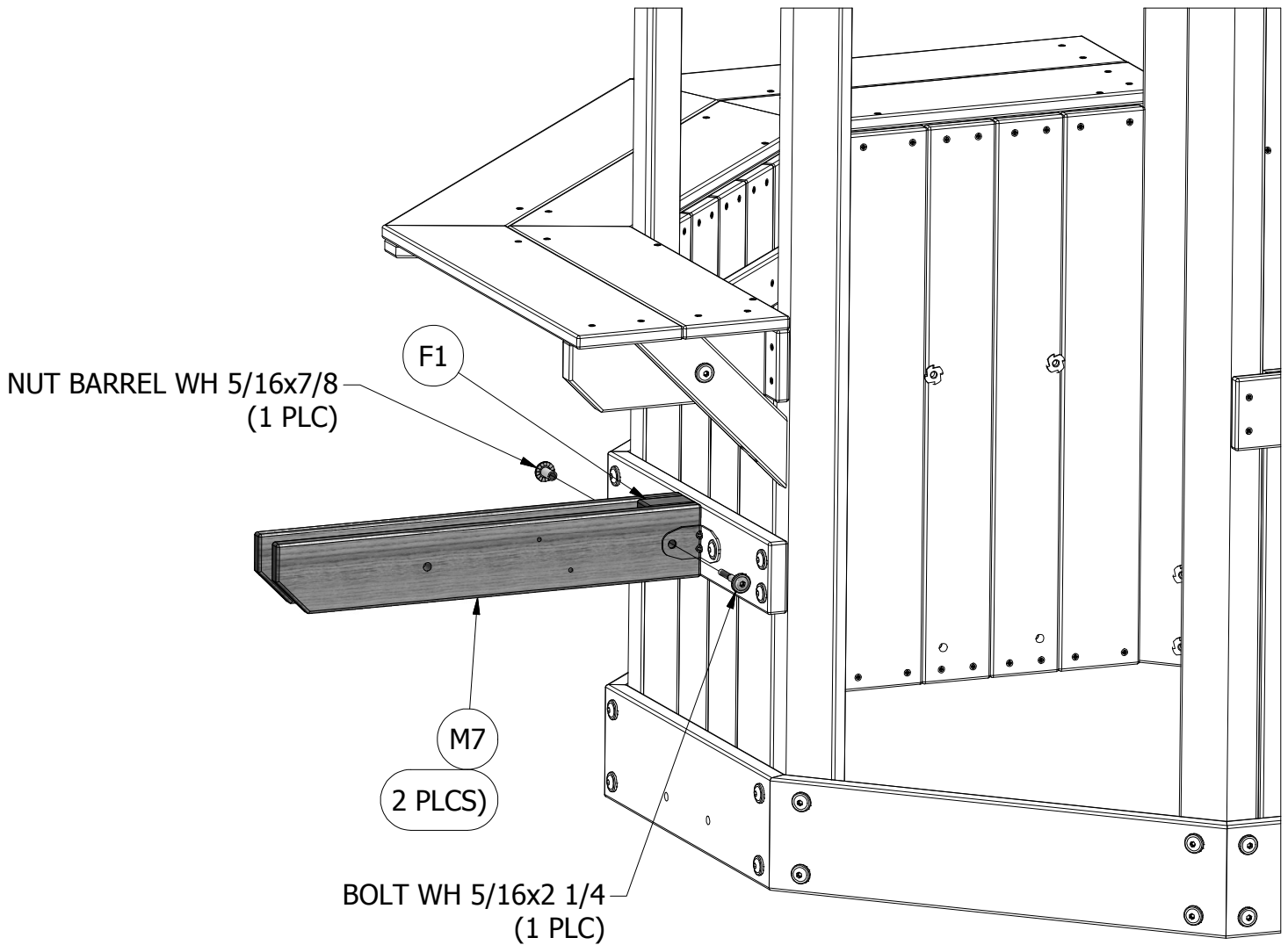
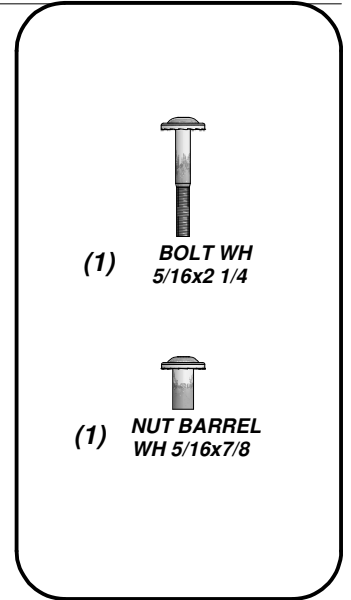


(2) **M7 - SEAT RAIL - W4L04497**  
5/8"x3 3/8"x21 1/8" (16x86x536)



(1) **F1 - MOUNTING BLOCK - W4L04496**  
1 3/8"x2 3/8"x3 3/8" (36x60x86)

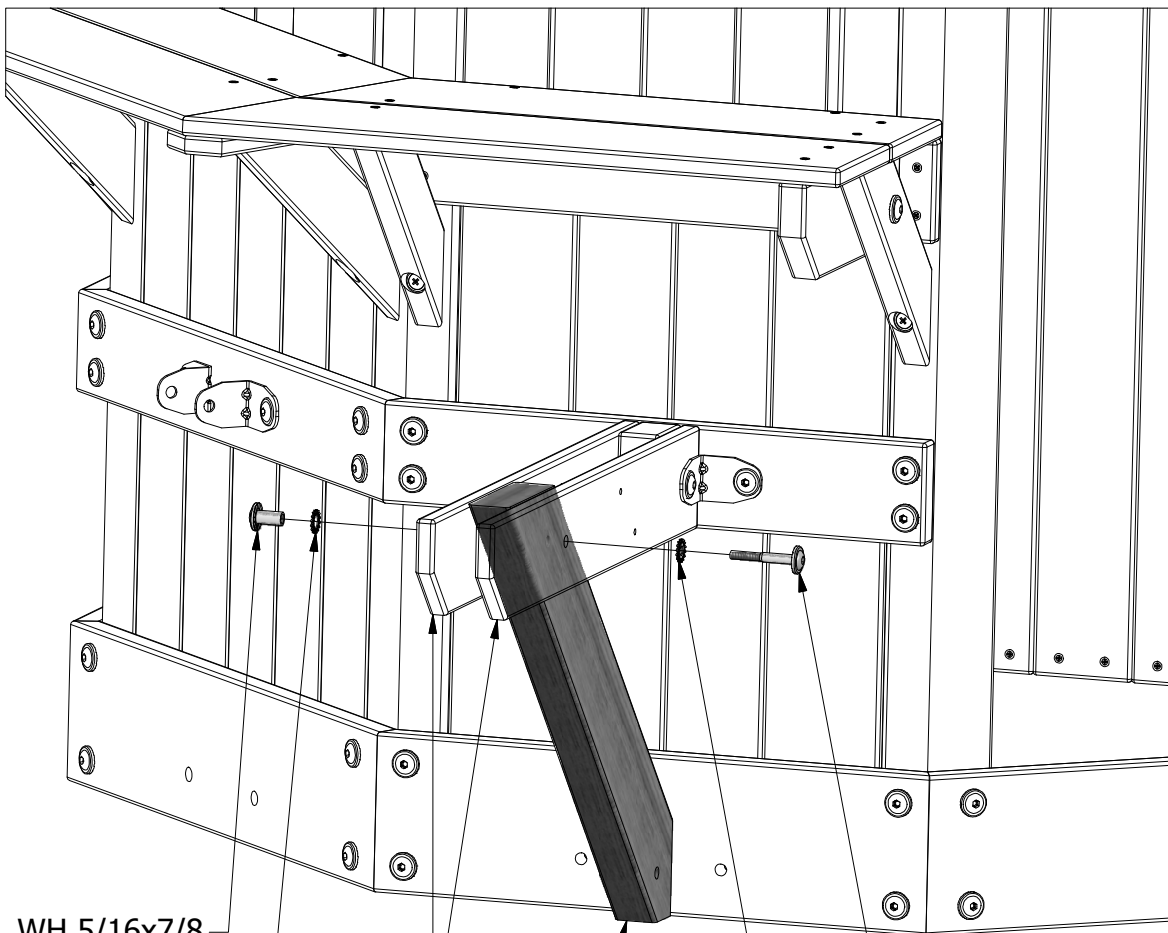
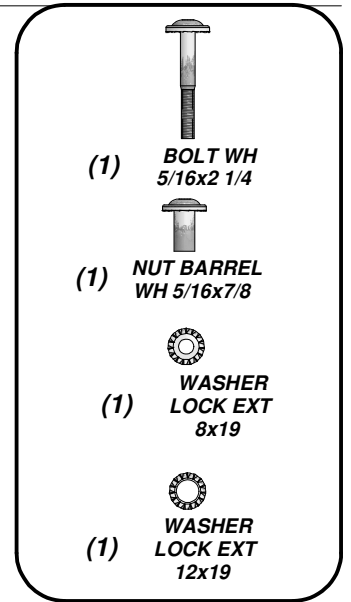
**FORT ASSEMBLY**  
**STEP 61**





(1) **E4 - SEAT BRACE - W4L04498**  
1 3/8"x3 3/8"x24" (36x86x609)

**FORT ASSEMBLY**  
**STEP 62**



NUT BARREL WH 5/16x7/8  
(1 PLC)

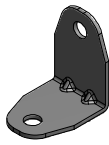
WASHER LOCK EXT 12x19  
(1 PLC)

M7

E4


BOLT WH 5/16x2 1/4  
(1 PLC)


WASHER LOCK EXT 8x19  
(1 PLC)





(2) TZ - L BRACKET 2.5x38x50x55 - A100340

**FORT ASSEMBLY  
STEP 63**

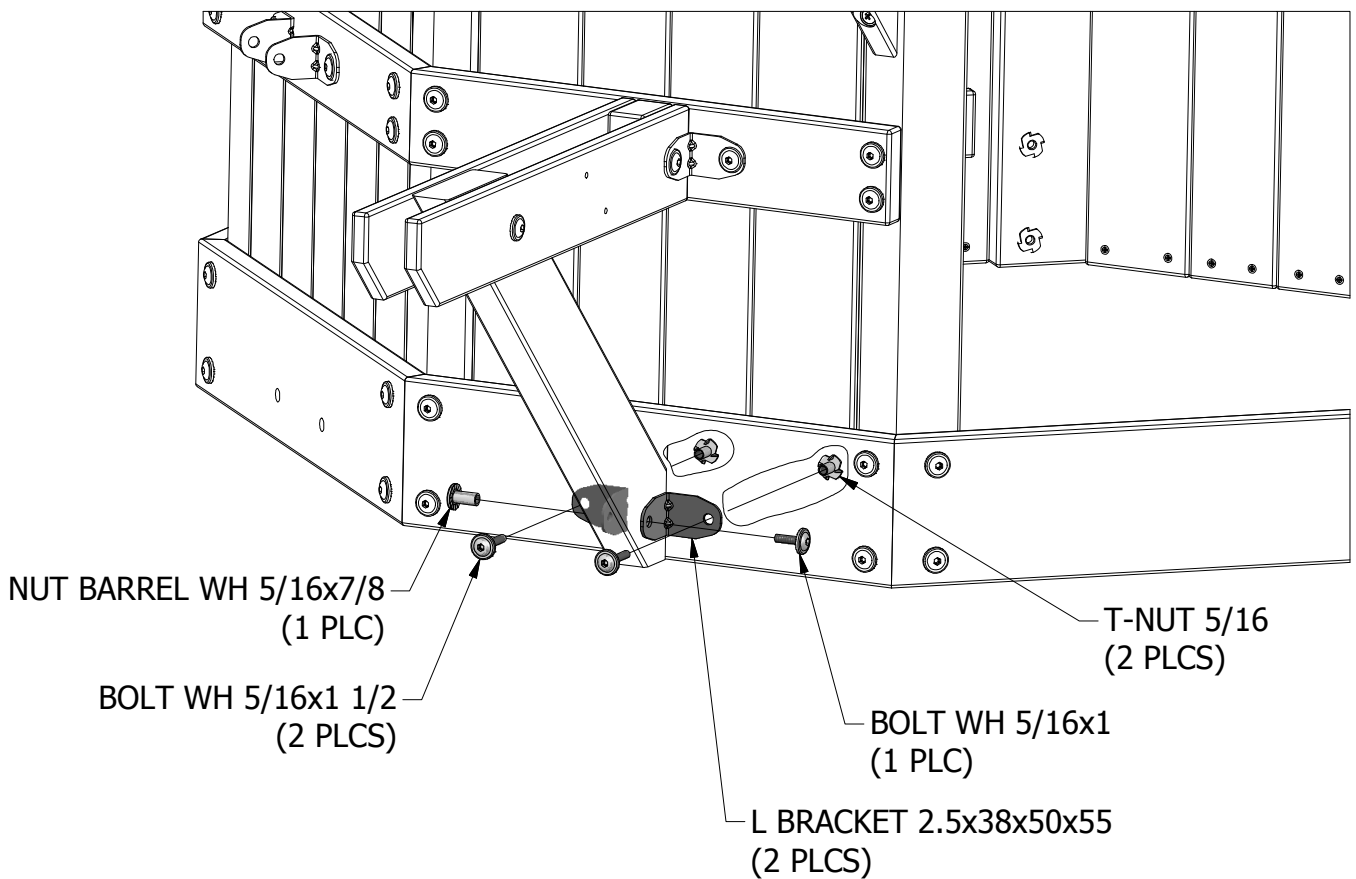
- 

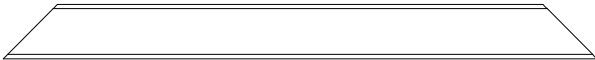
(2) BOLT WH  
5/16x1 1/2
- 

(1) NUT BARREL  
WH 5/16x7/8
- 

(2) T-NUT 5/16
- 

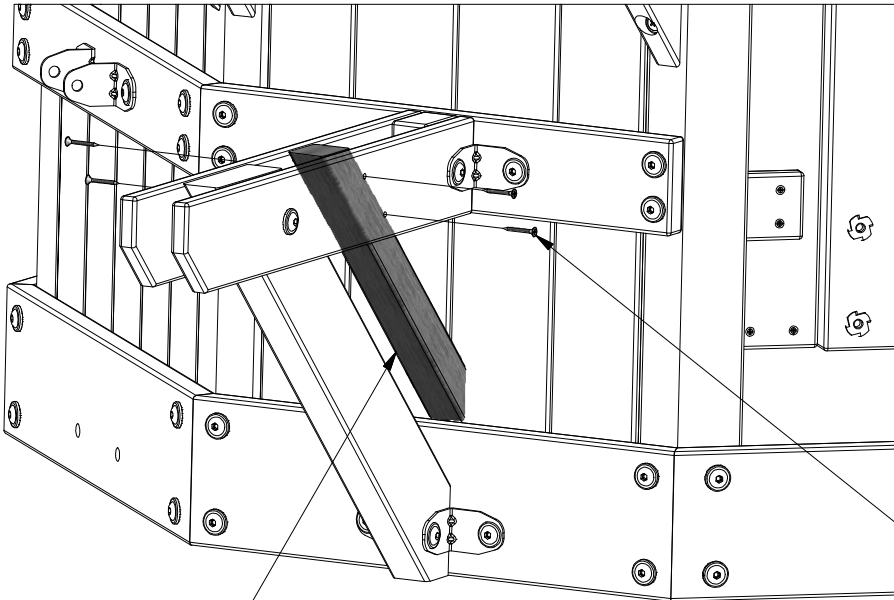
(1) BOLT WH  
5/16x1





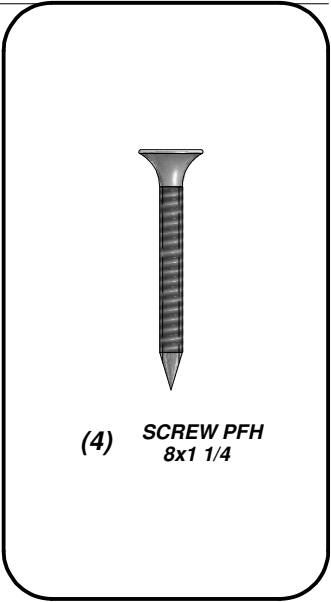
(1) **P1 - SAFETY BRACE - W4L04499**  
1 3/8"x1 3/8"x15 1/2" (36x36x393)

**FORT ASSEMBLY**  
**STEP 64**

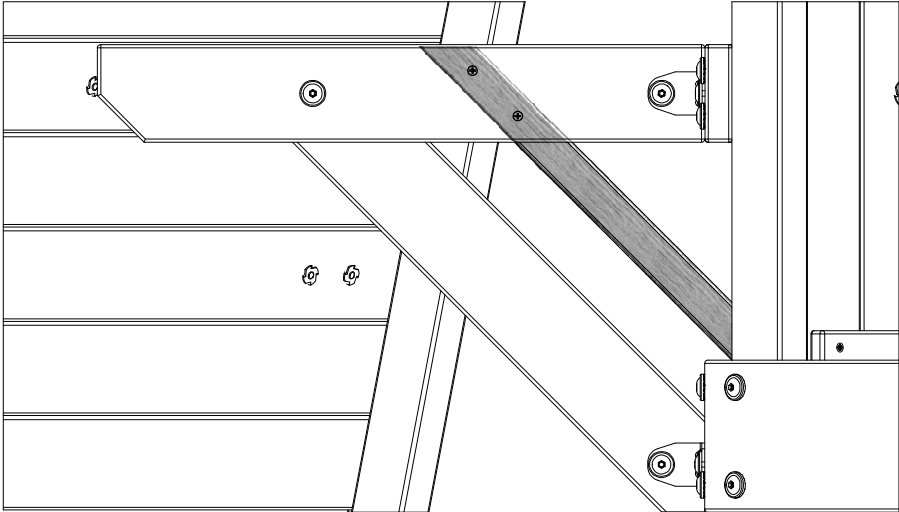


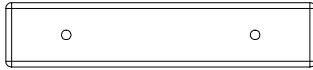
P1

SCREW PFH 8x1 1/4  
(4 PLCS)



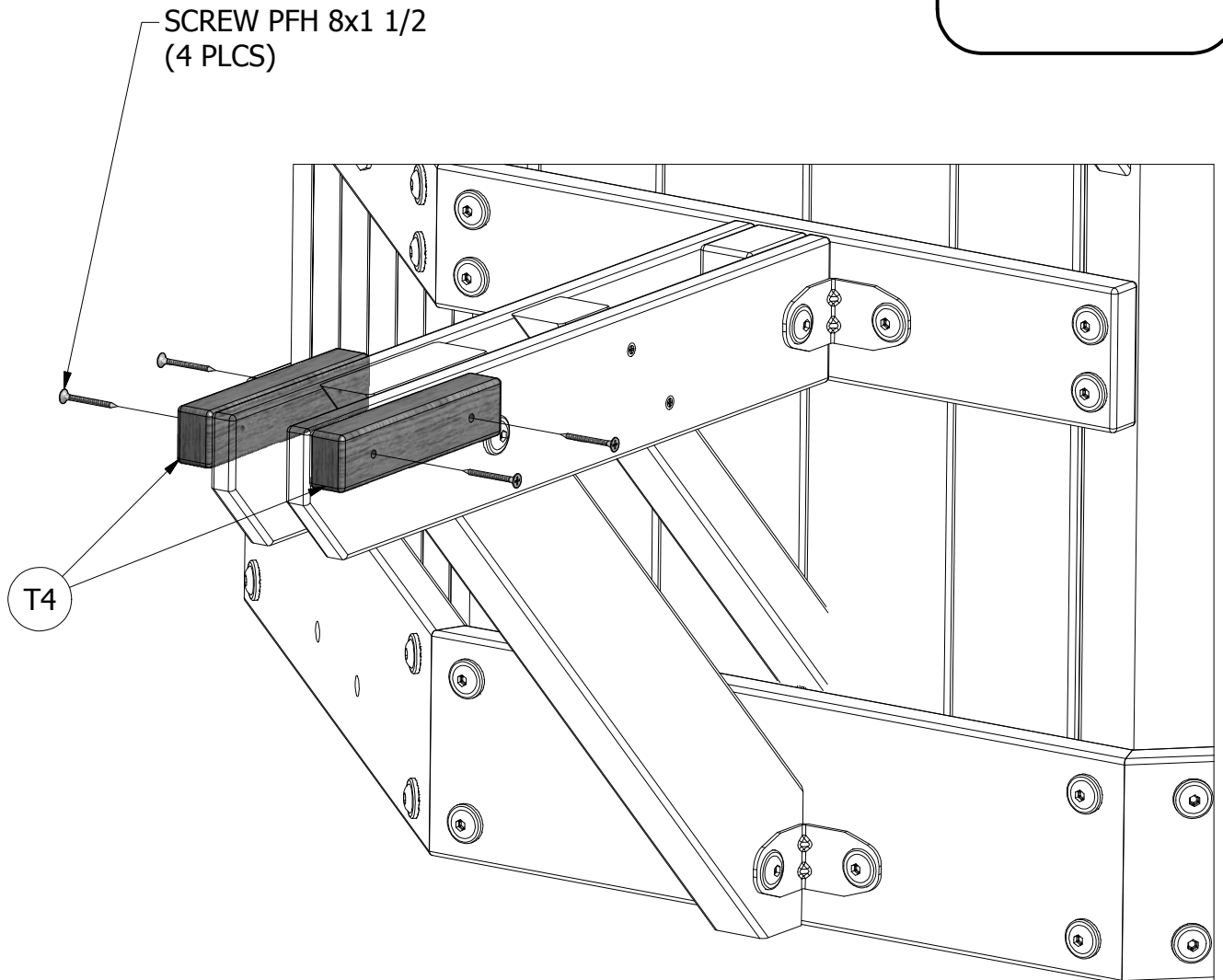
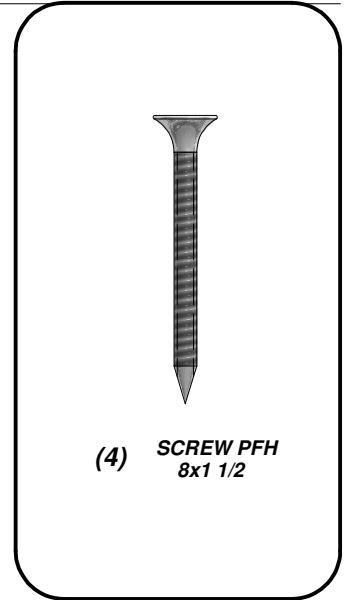
(4) **SCREW PFH**  
8x1 1/4





(2) **T4 - SEAT CLEAT - W4L04543**  
1"x1 3/8"x6 1/2" (24x34x164)

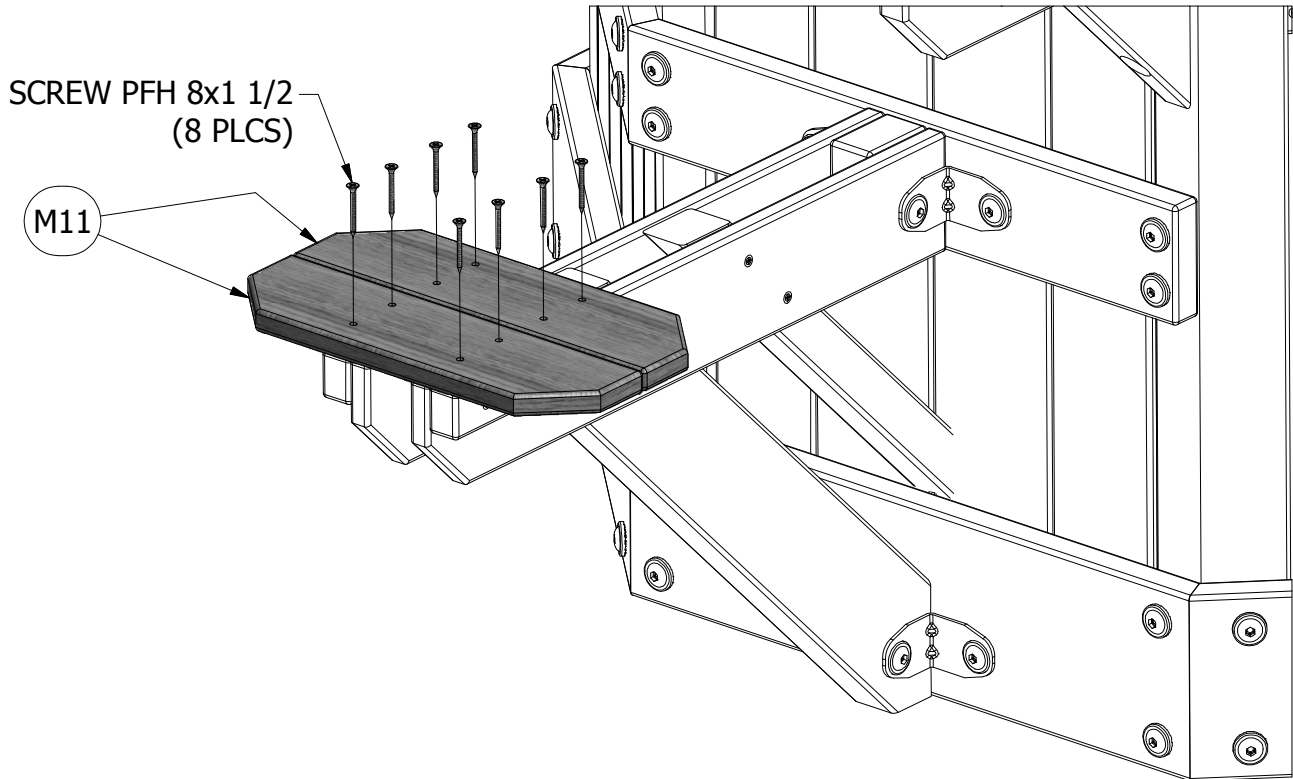
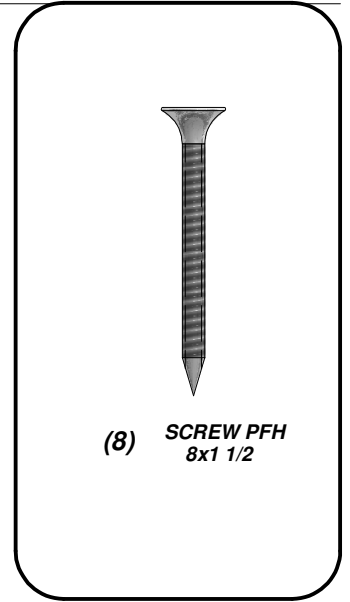
**FORT ASSEMBLY**  
**STEP 65**





(2) **M11 - SEAT - W4L0454**  
5/8"x3 3/8"x12" (16x86x304)

**FORT ASSEMBLY**  
**STEP 66**

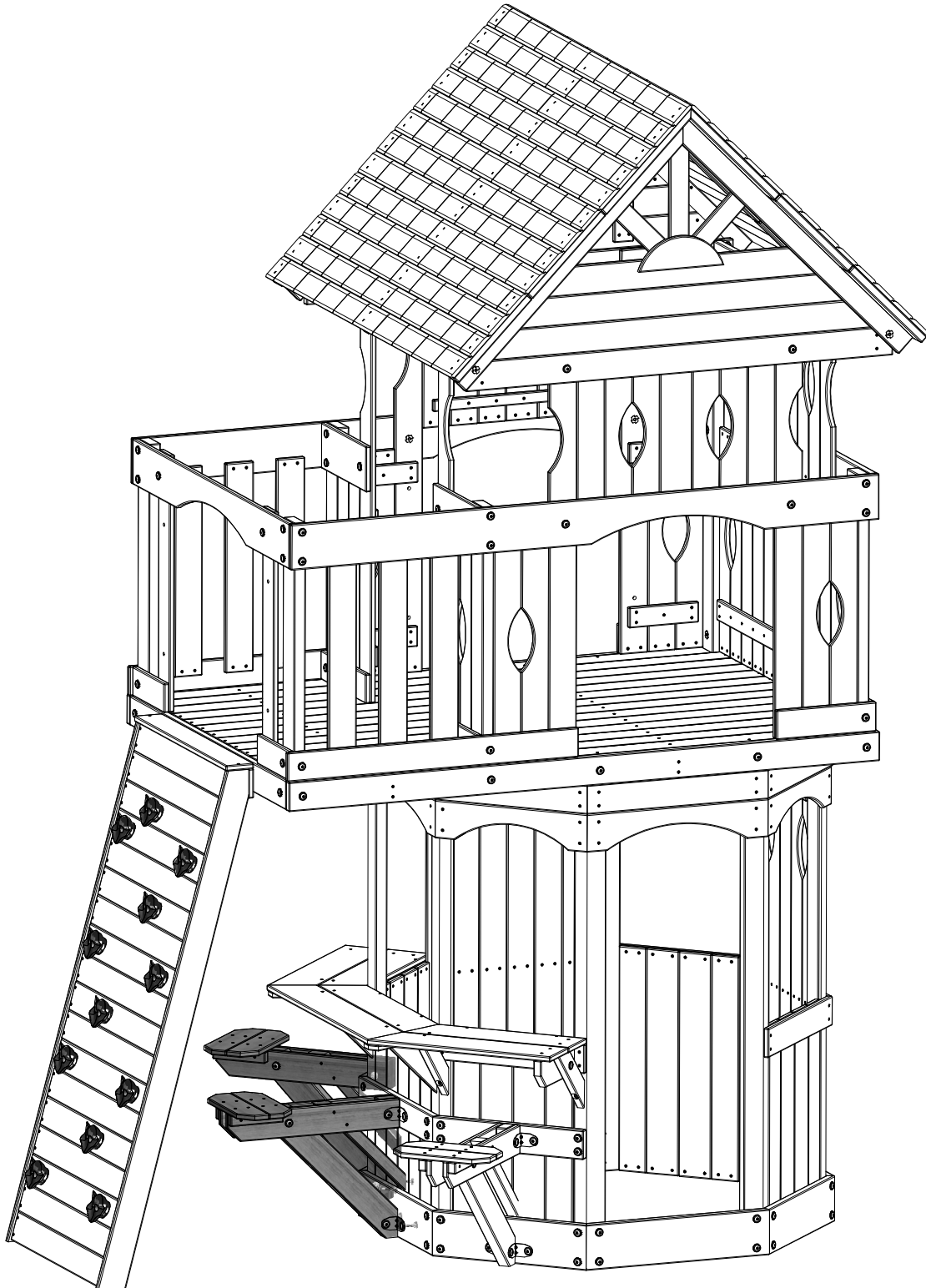


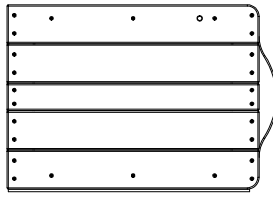
---

**FORT ASSEMBLY**  
**STEP 67**

**REPEAT STEPS 61 THROUGH 66 AND ATTACH A SECOND SEAT UNDER THE CENTER SHELF.**

**REPEAT STEPS 61 THROUGH 66 AND ATTACH THE THIRD SEAT UNDER THE LEFT SHELF.**

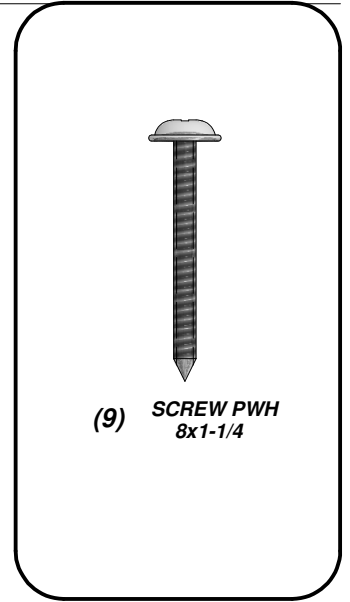




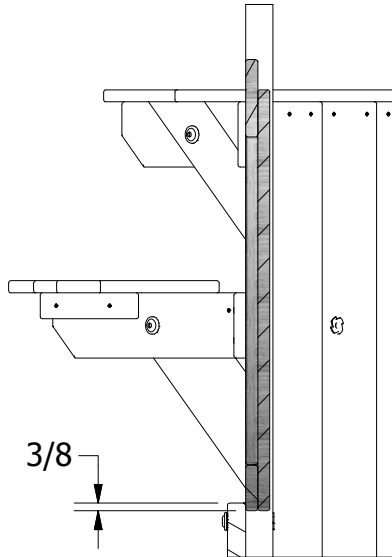
(1) DR1 - DOOR PANEL - W2A01482  
1 1/4"x16"x23 1/2" (32x406x596)

**FORT ASSEMBLY  
STEP 68**

**ATTACH DOOR AS SHOWN, USING SCREWS THROUGH HOLES IN PLASTIC HINGE.**

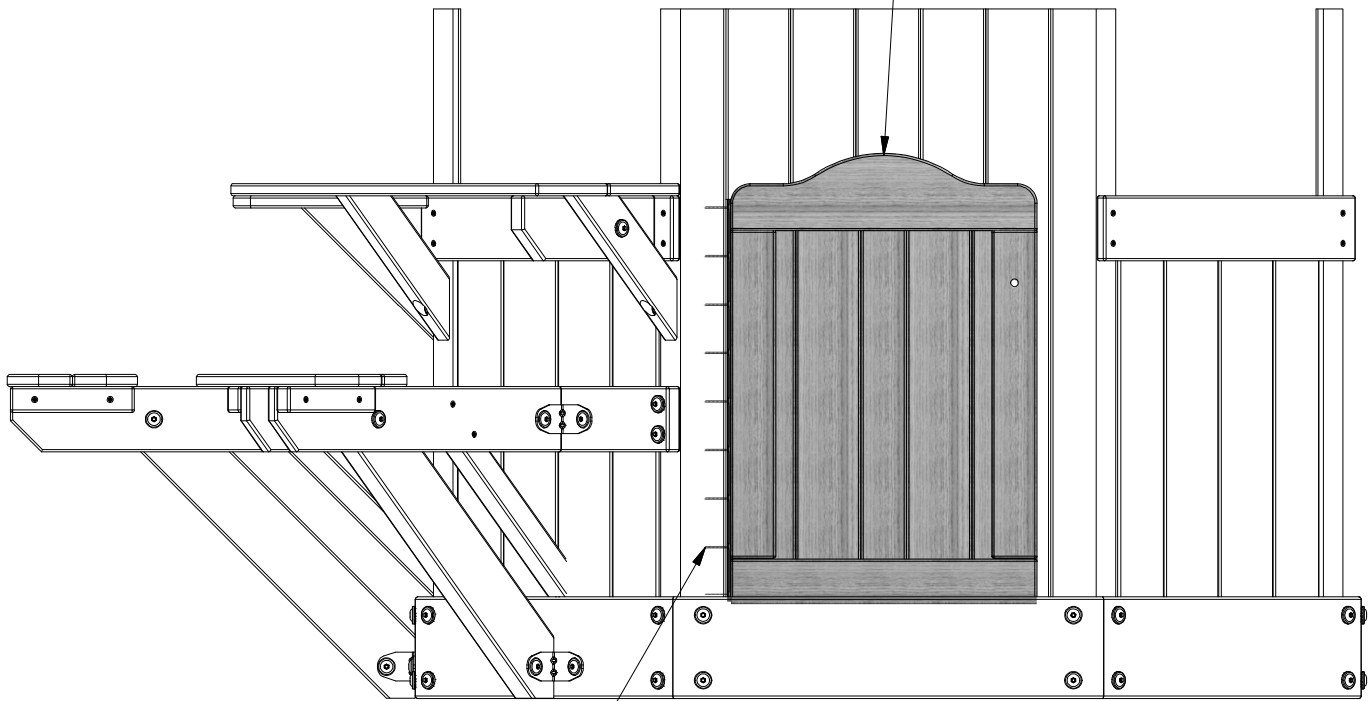


(9) SCREW PWH  
8x1-1/4

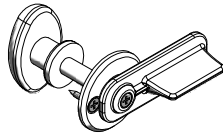


3/8

DR1

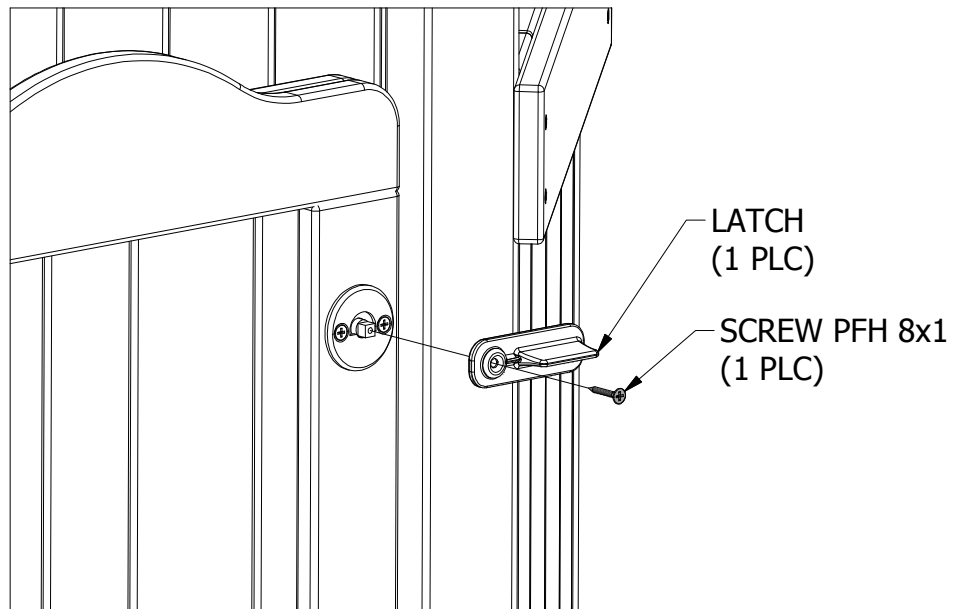
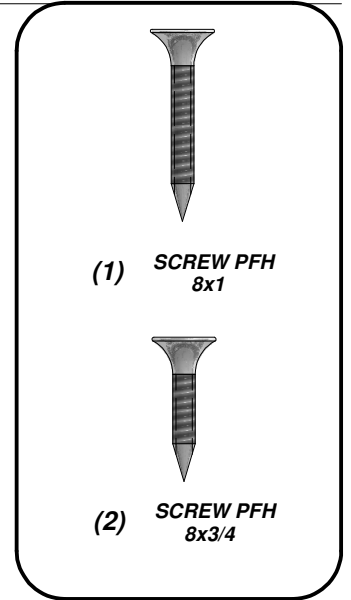
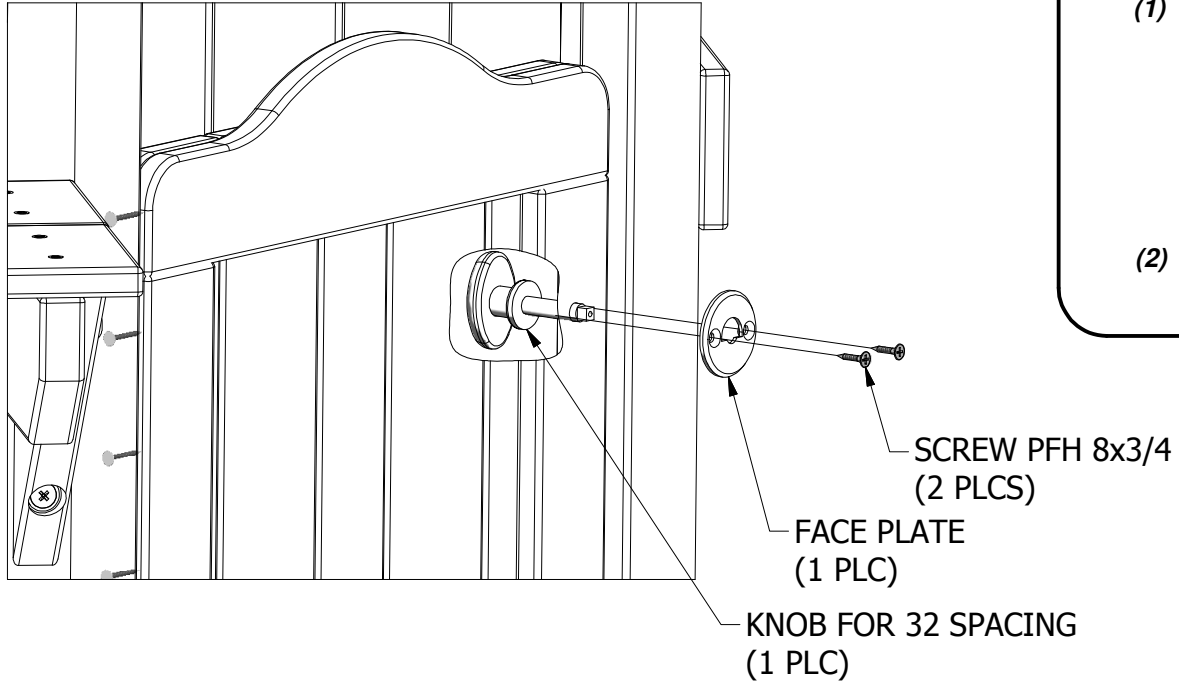


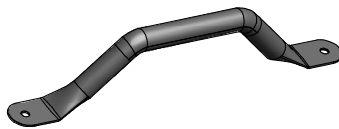
SCREW PWH 8x1-1/4  
(9 PLCS)



(1) LATCHING KNOB WITH SCREWS - A6P00028


**FORT ASSEMBLY  
STEP 69**







(4) FX - HAND GRIP METAL GREEN 381 c/c - A100118

**FORT ASSEMBLY  
STEP 70**

(8)  **BOLT WH  
5/16x1/2**

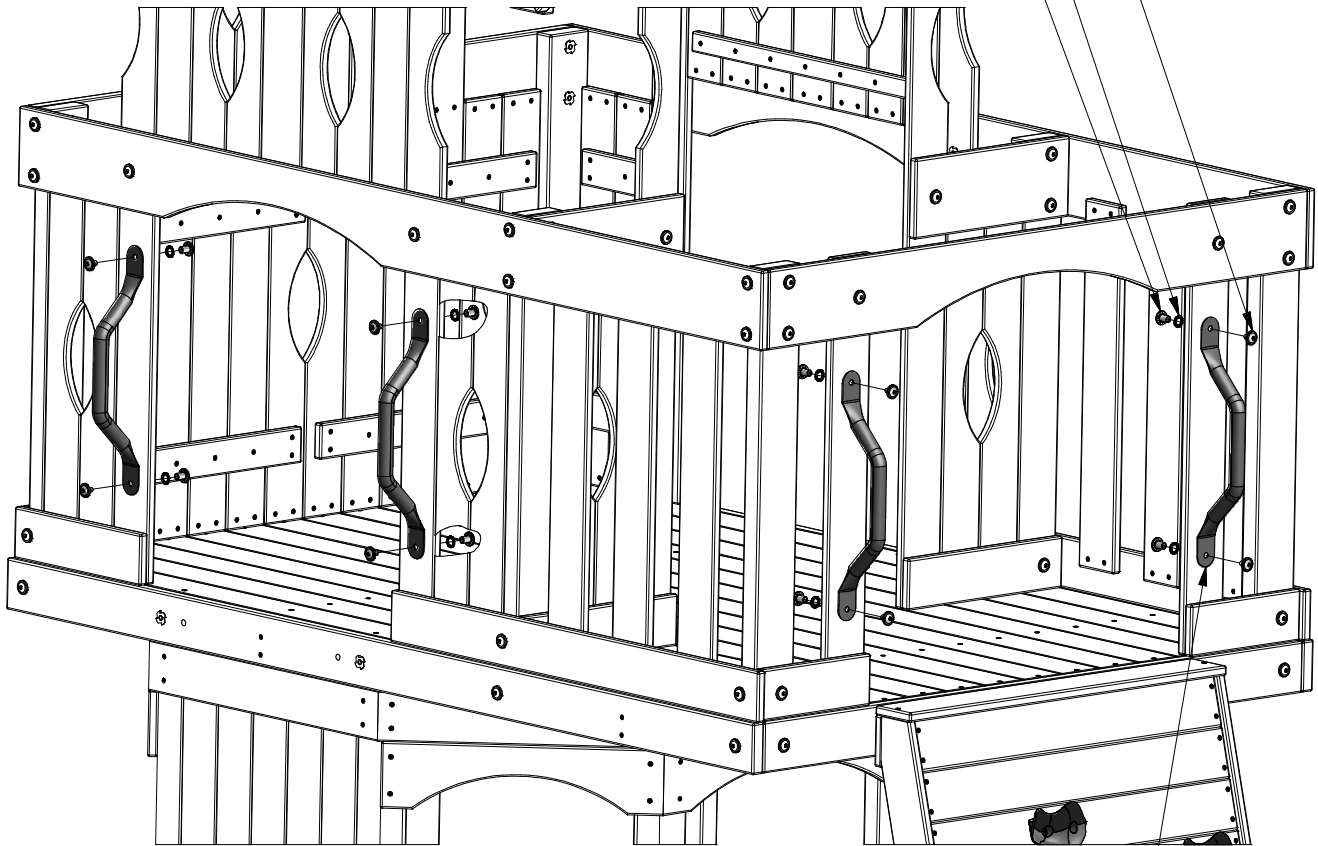
(8)  **WASHER  
LOCK EXT  
12x19**

(8)  **NUT BARREL  
WH 5/16x5/8**

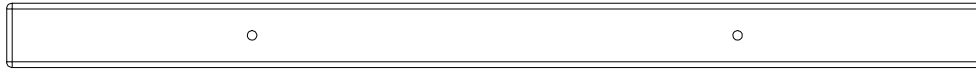
BOLT WH 5/16x1/2  
(8 PLCS)

WASHER LOCK EXT 12x19  
(8 PLCS)

NUT BARREL WH 5/16x5/8  
(8 PLCS)

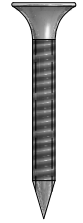
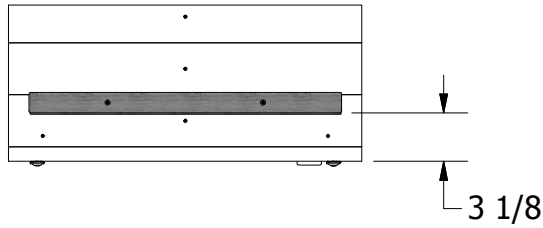


HAND GRIP METAL GREEN 381 c/c  
(4 PLCS)

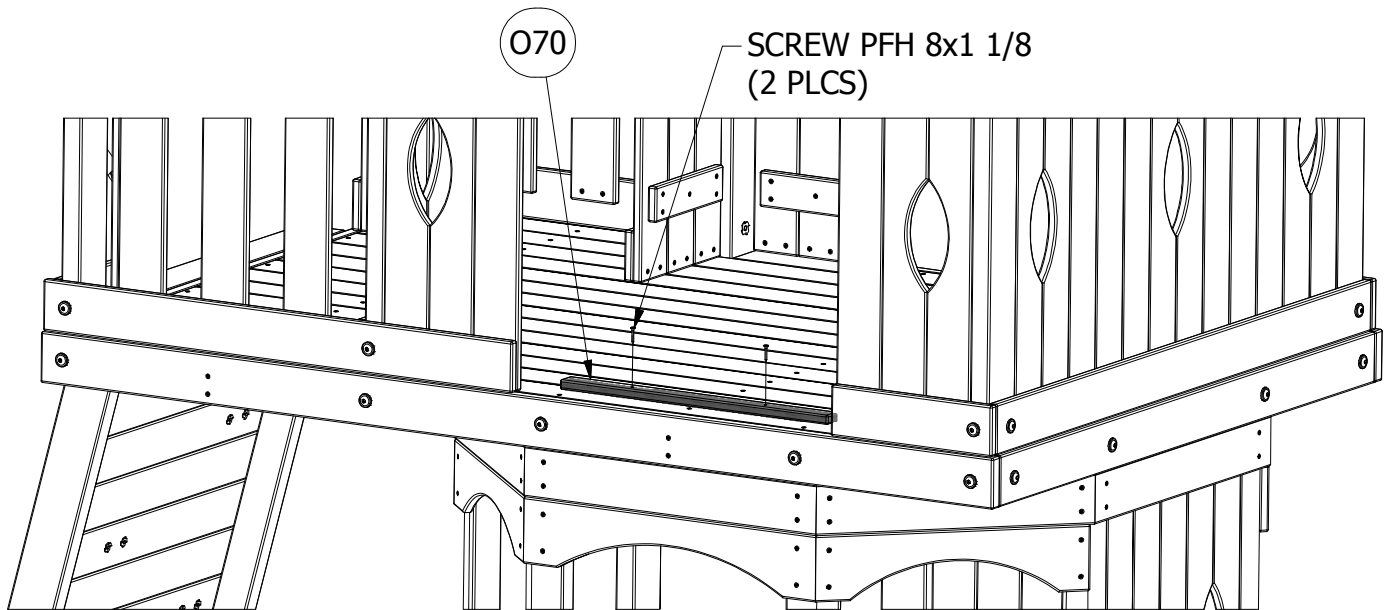


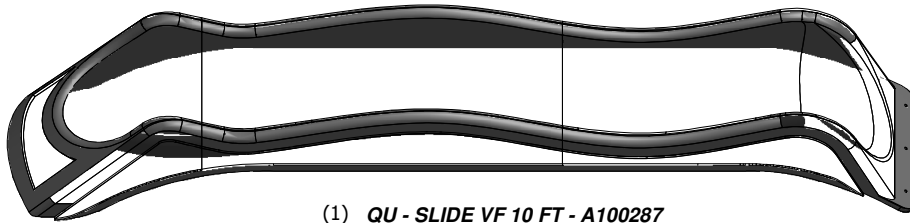
(1) **O70 - SLIDE MOUNTING BOARD - W102822**  
5/8"x1 3/8"x20 3/8" (16x34x517)

**SLIDE ATTACHMENT  
STEP 1**



(2) **SCREW PFH**  
8x1 1/8

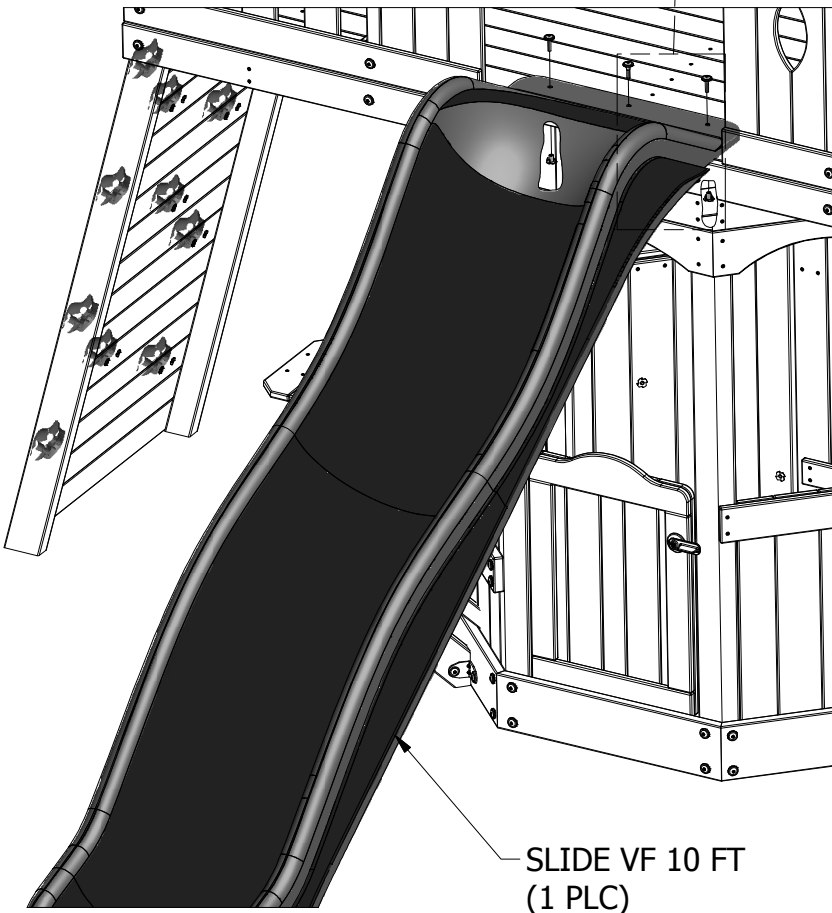
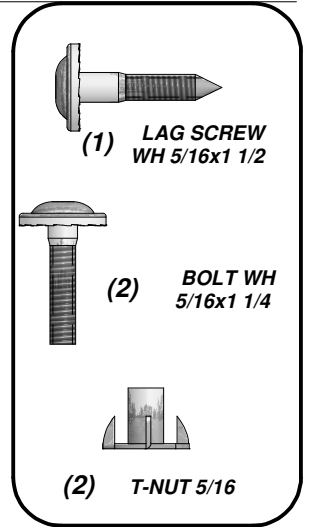
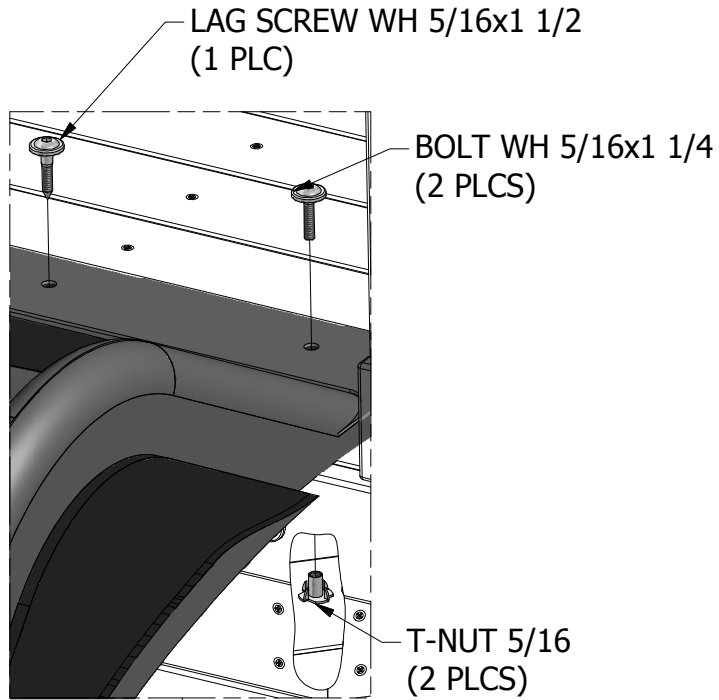


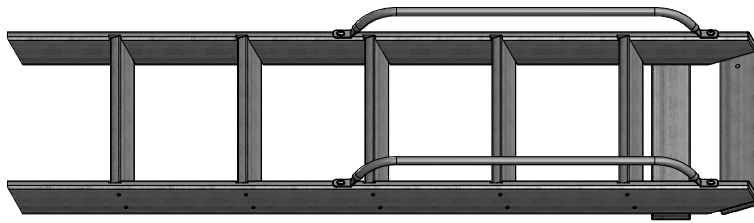


(1) QU - SLIDE VF 10 FT - A100287

## SLIDE ATTACHMENT STEP 2

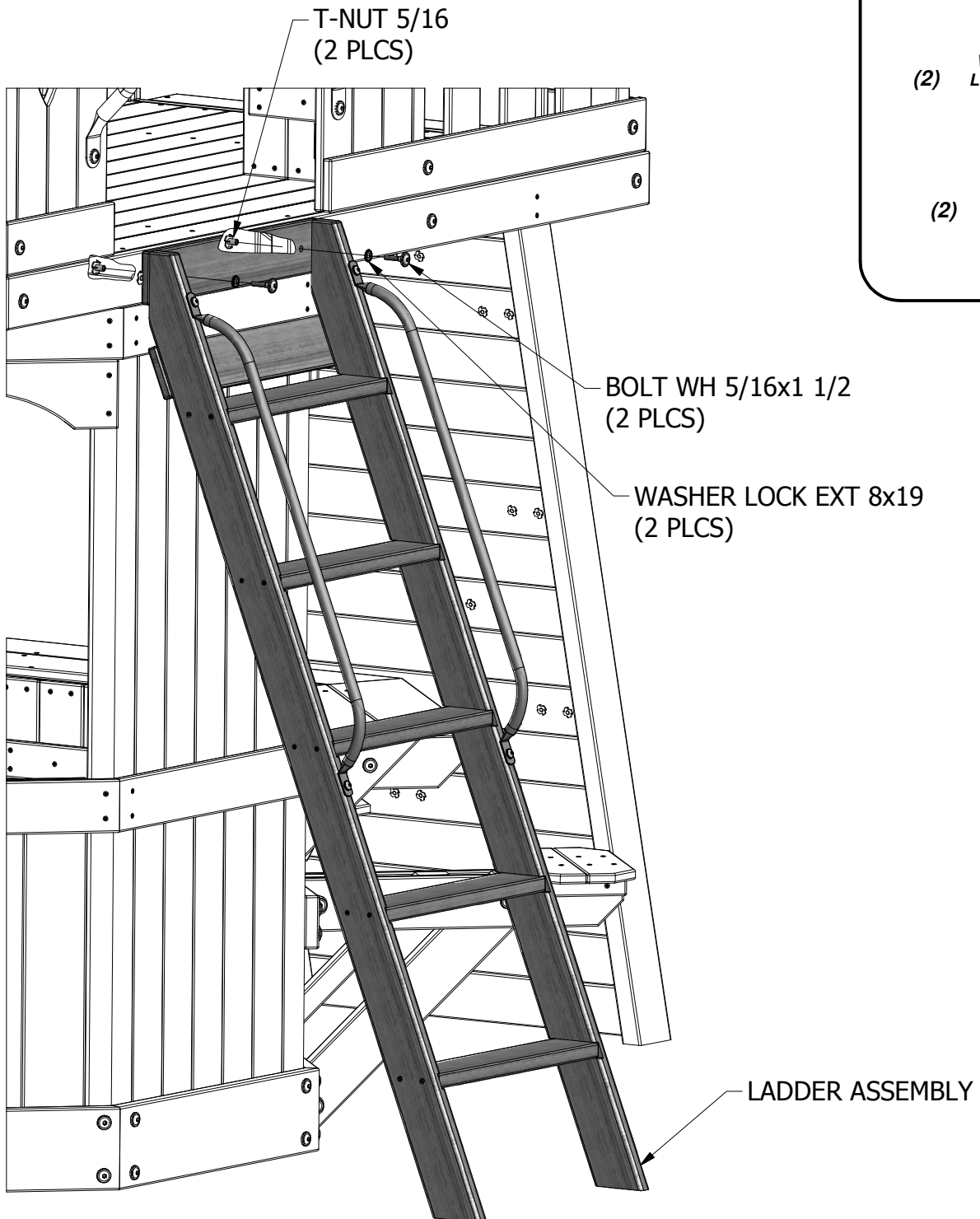
USING SLIDE HOLES AS A GUIDE,  
PRE-DRILL 3/8" DIAMETER HOLES  
THROUGH FLOOR IN THE OUTSIDE  
(2) LOCATIONS ONLY.








(1) LADDER ASSEMBLY

## LADDER ATTACHMENT

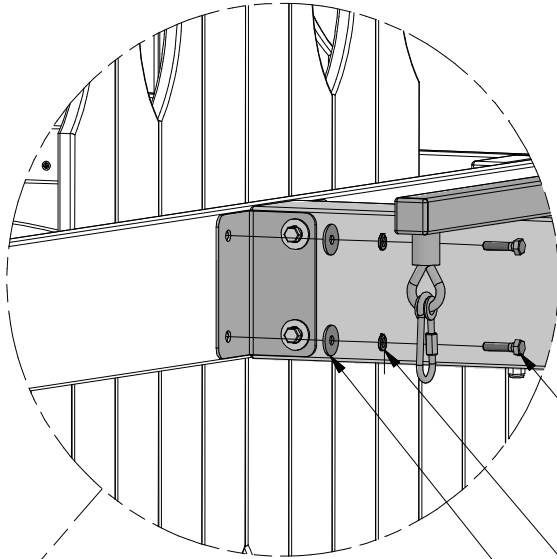





-   
(2) BOLT WH  
5/16x1 1/2
-   
(2) WASHER  
LOCK EXT  
8x19
-   
(2) T-NUT 5/16

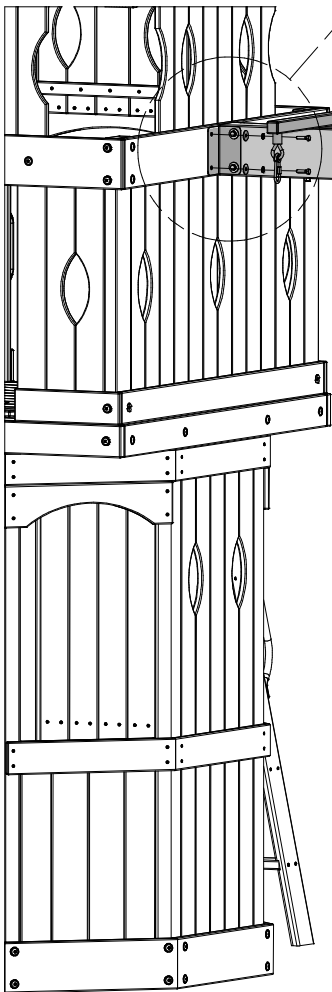


(1) SWINGBEAM ASSEMBLY

### SWINGBEAM ATTACHMENT



-  (4) BOLT HEX 5/16x1 1/4
-  (4) WASHER SPLIT 5/16
-  (4) WASHER FLAT 8x27

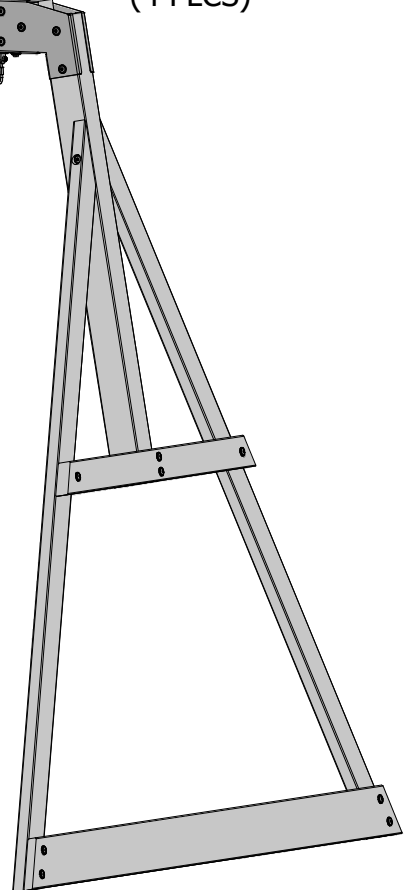


SWINGBEAM ASSEMBLY

BOLT HEX 5/16x1 1/4  
(4 PLCS)

WASHER SPLIT 5/16  
(4 PLCS)

WASHER FLAT 8x27  
(4 PLCS)



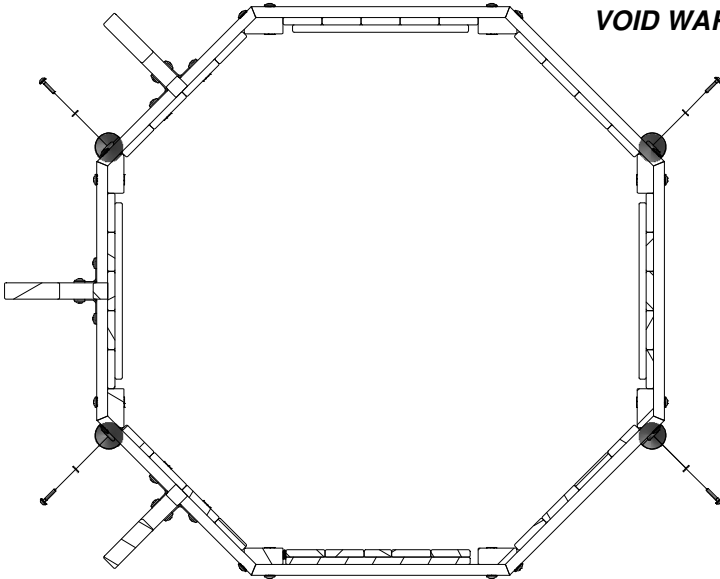


(6) KC - METAL GROUND STAKE BROWN - A100178

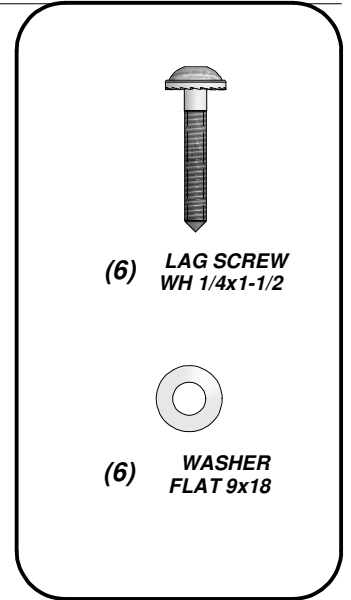
### GROUND STAKE ATTACHMENT

### NOTE:

**FAILURE TO USE GROUND STAKES CAN VOID WARRANTY & CAUSE INJURY!**



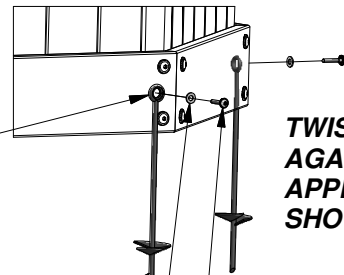
APPROXIMATE LOCATION OF GROUND STAKES ON FORT (LOOKING DOWN FROM TOP)



(6) LAG SCREW WH 1/4x1-1/2



(6) WASHER FLAT 9x18



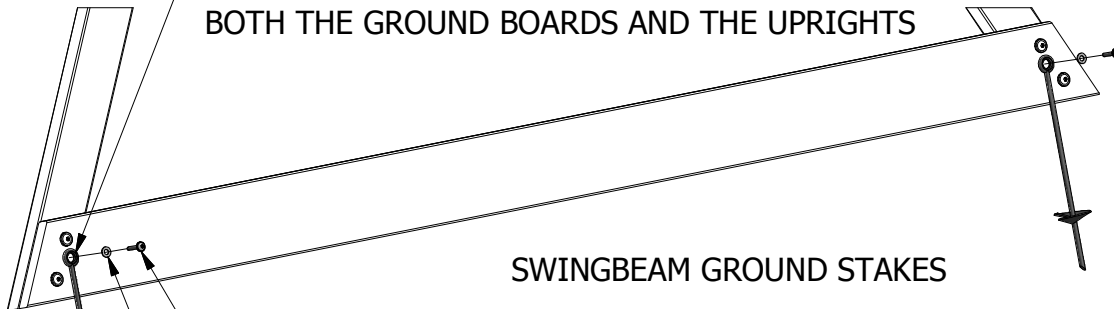
**TWIST STAKES INTO GROUND AGAINST GROUND BOARDS APPROXIMATELY WHERE SHOWN. (6 PLCS)**

METAL GROUND STAKE BROWN (4 PLCS)

WASHER FLAT 9x18 (4 PLCS)

LAG SCREW WH 1/4x1-1/2 (4 PLCS)

LOCATE SO THAT LAG SCREW GOES THROUGH BOTH THE GROUND BOARDS AND THE UPRIGHTS



SWINGBEAM GROUND STAKES

LAG SCREW WH 1/4x1-1/2 (2 PLCS)

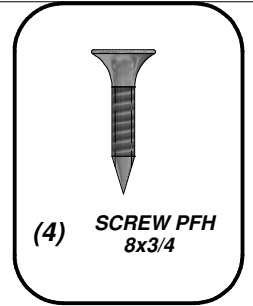
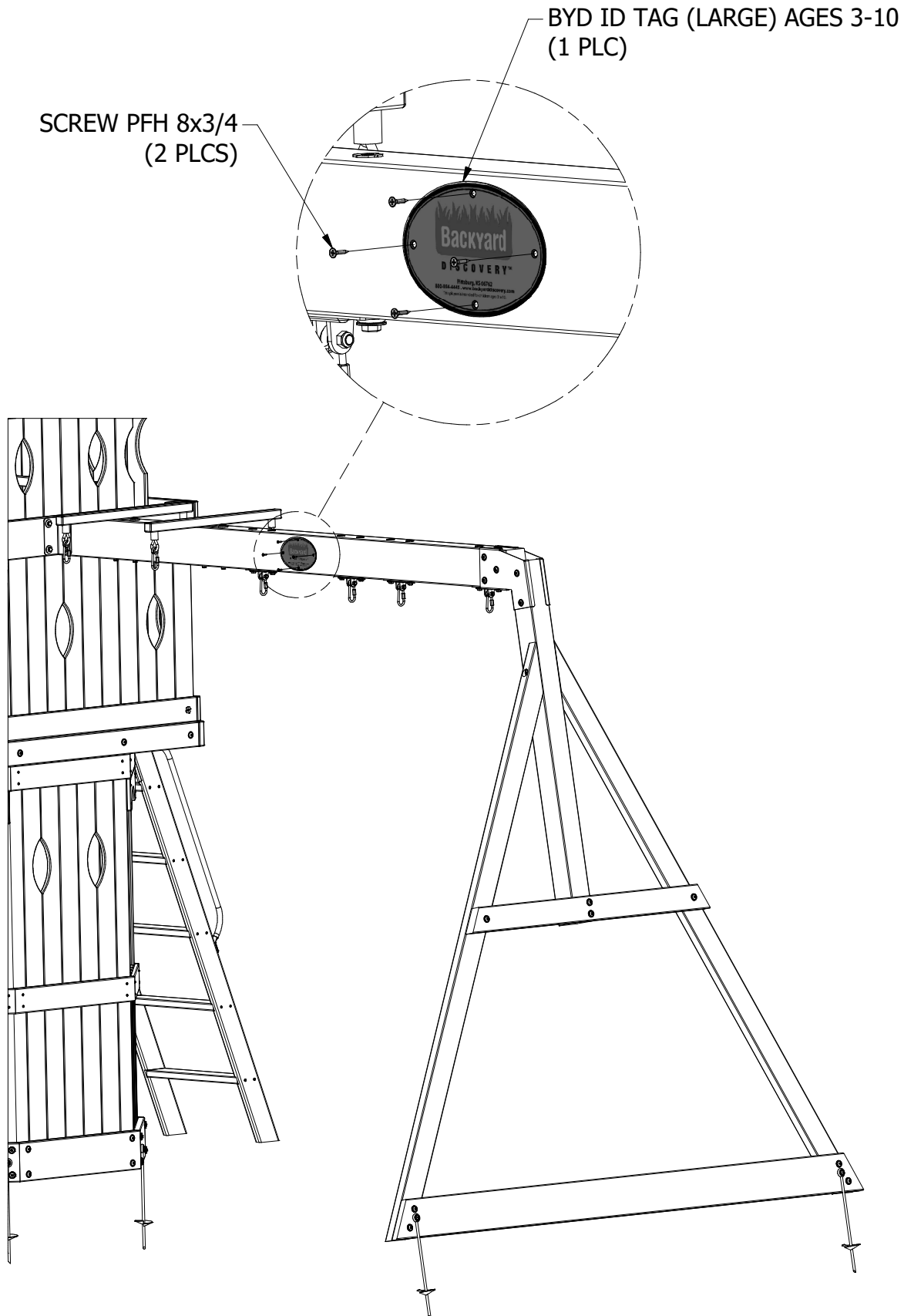
WASHER FLAT 9x18 (2 PLCS)

METAL GROUND STAKE BROWN (2 PLCS)



(1) HC - BYD ID TAG (LARGE) AGES 3-10 - A100164

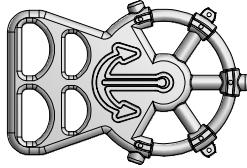
## ID PLATE ATTACHMENT



(4) EZ - CHAIN GREEN 51.25" - A100068



(4) FA - QUICK LINK - A100069

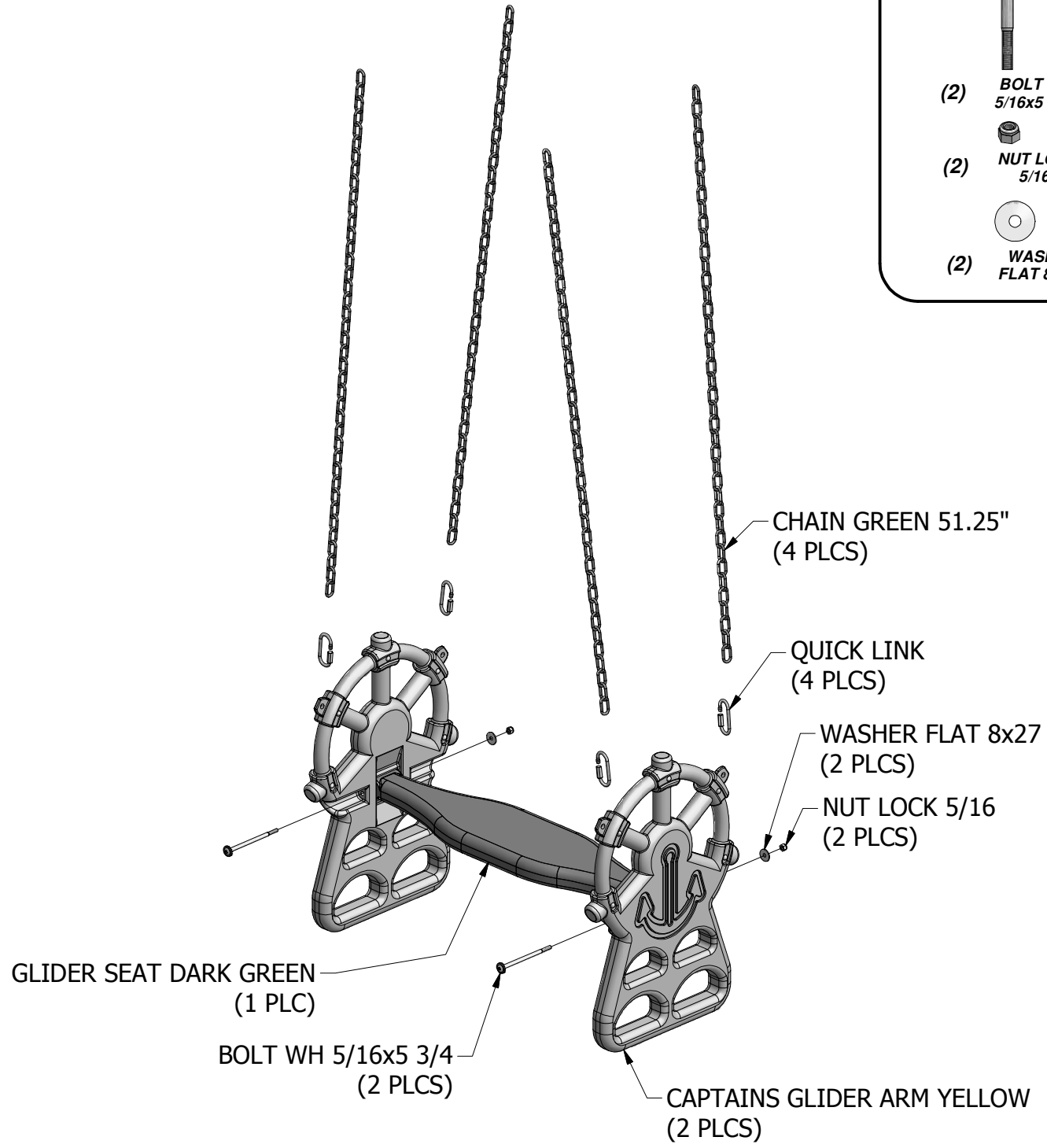


(2) DO - CAPTAINS GLIDER ARM YELLOW - A100026



(1) DN - GLIDER SEAT DARK GREEN - A100025

### 5' CAPTAINS GLIDER ASSEMBLY

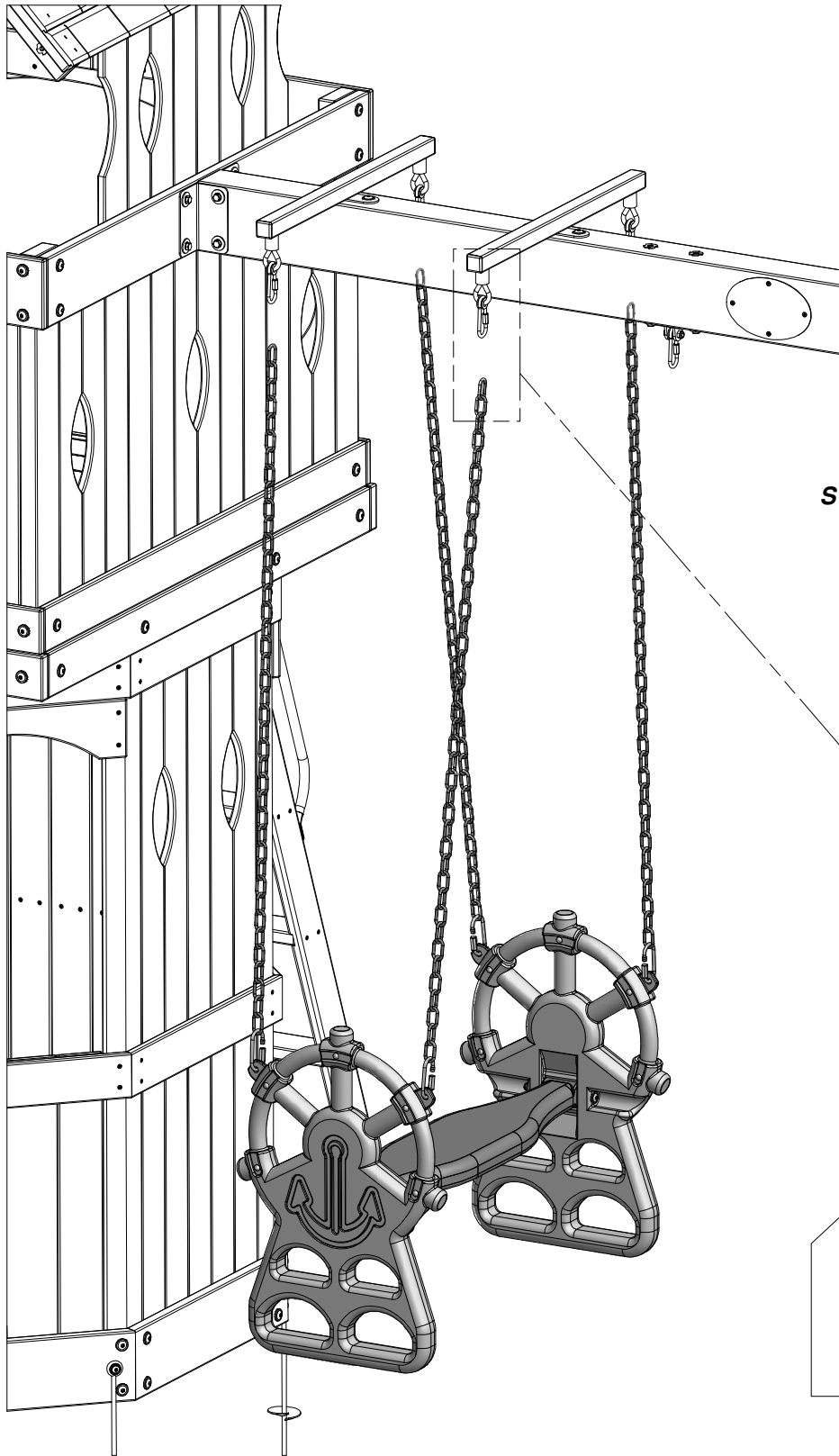


(2) BOLT WH 5/16x5 3/4

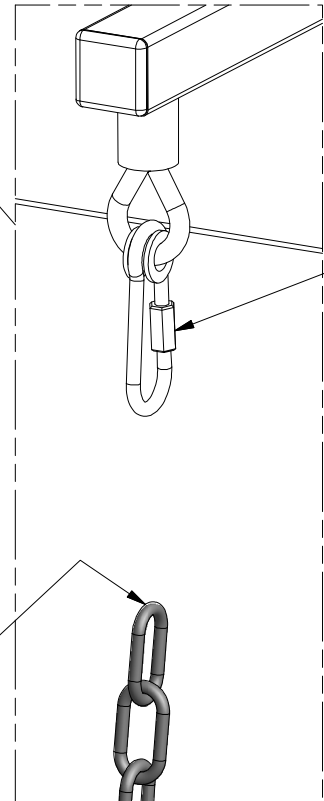
(2) NUT LOCK 5/16

(2) WASHER FLAT 8x27

**GLIDER ATTACHMENT**



**SWING HANGER QUICK LINK  
(4 PLCS)**



**CHAIN GREEN 51.25"  
(4 PLCS)**



(2) DP - SWING SEAT GREEN - A100027

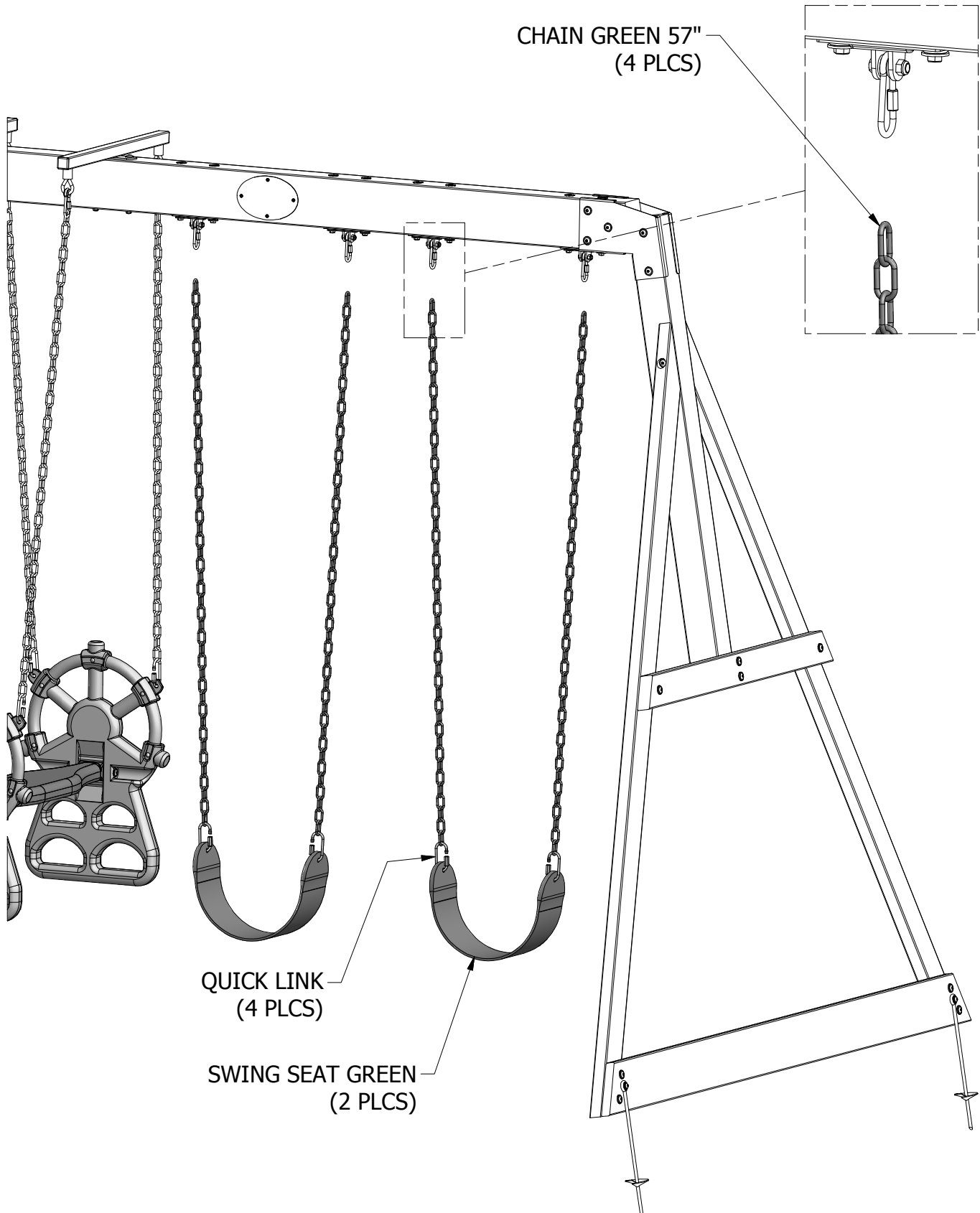


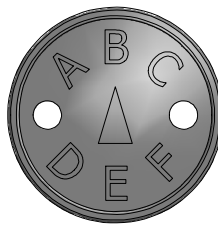
(4) EF - CHAIN GREEN 57" - A100047



(4) FA - QUICK LINK - A100069

## SWING ATTACHMENT





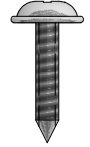
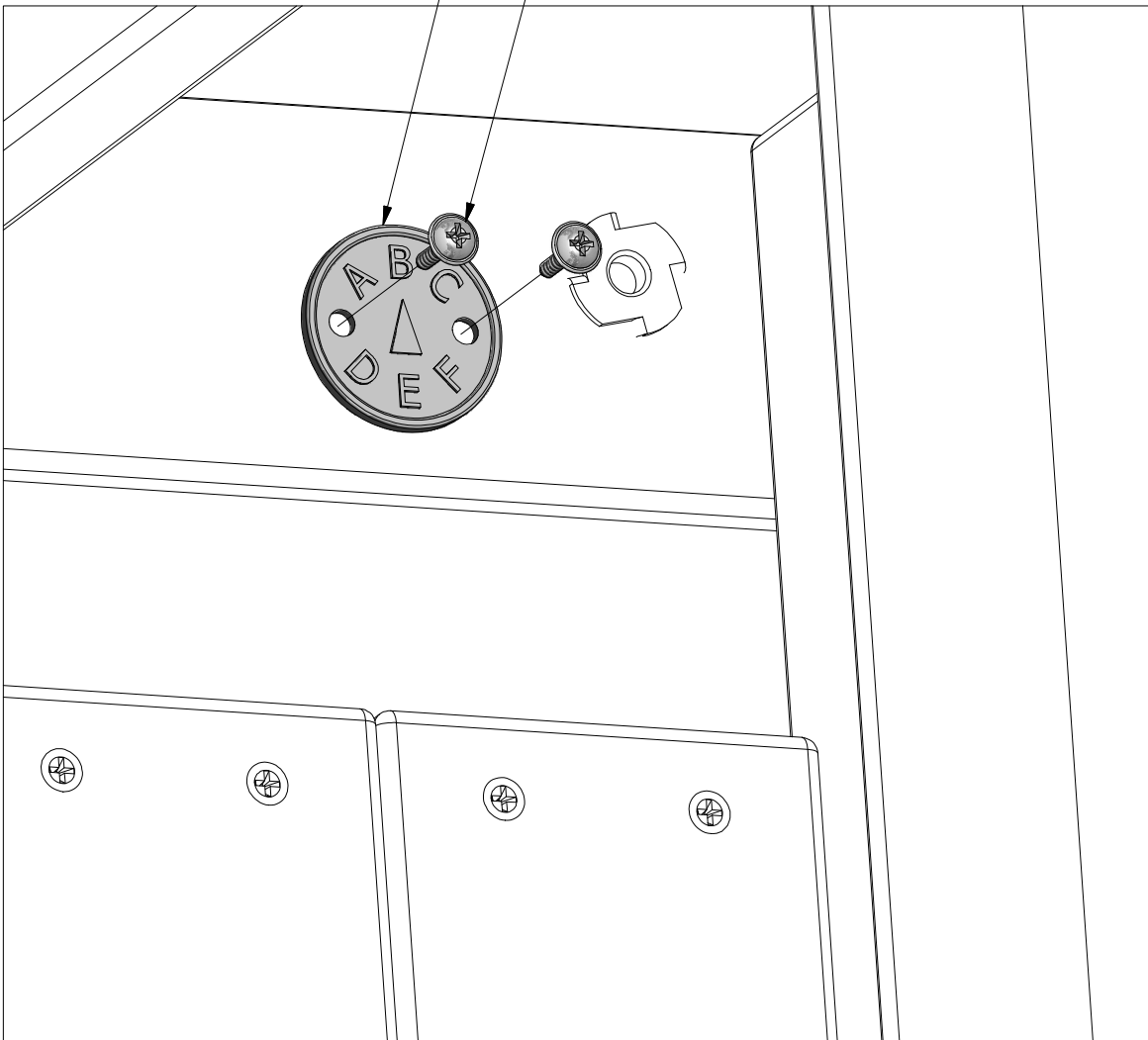
(1) *SR - "B" REVISION TAG - A100315*

## **REVISION TAG ATTACHMENT**

**FIND AN APPROPRIATE SPOT UNDER THE FLOOR AND ATTACH REVISION TAG.  
(AS SUGGESTED BELOW.)**

"B" REVISION TAG  
(1 PLC)

SCREW PWH 8x5/8  
(2 PLCS)



(2) **SCREW PWH  
8x5/8**

## **FINAL STEP**

**DOUBLE CHECK EVERY BOLT,  
SCREW AND NUT FOR TIGHTNESS.  
MAKE SURE EVERY BOARD IS  
SECURE AND MAKE SURE THE  
PLAY SET IS LEVEL.**

**ENJOY YOUR NEW PLAY SET!**

## Limited Warranty

This Limited Warranty by Backyard Discovery applies to products manufactured under the Backyard Discovery brand or its other brands including but not limited to Backyard Botanical, Adventure Playsets, and Leisure Time Products.

Backyard Discovery warrants that this product is free from defect in materials and workmanship for a period of one (1) year from the original date of purchase. This one (1) year warranty covers all parts including wood, hardware, and accessories. All wood carries a five (5) year pro-rated warranty against rot and decay. Refer to the schedule below for charges associated with replacement of parts under this Limited Warranty. In addition, Backyard Discovery will replace any parts within the first 30 days from date of purchase found to be missing from or damaged in the original packaging.

This warranty applies to the original owner and registrant and is **non-transferable**. Regular maintenance is required to assure maximum life and performance of this product and failure by the owner to maintain the product according to the maintenance requirements may void this warranty. Maintenance guidelines are provided in the Owner's Manual.

This Limited Warranty does not cover:

- Labor for any inspection
- Labor for replacement of any defective item(s)
- Incidental or consequential damages
- Cosmetic defects which do not affect performance or integrity of a part or the entire product
- Vandalism, improper use, failure due to loading or use beyond the capacities stated in the applicable Assembly Manual.
- Acts of nature including but not limited to wind, storms, hail, floods, excessive water exposure
- Improper installation including but not limited to installation on uneven, unlevel, or soft ground
- Minor twisting, warping, checking, or any other natural occurring properties of wood that do not affect performance or integrity

Backyard Discovery products have been designed for safety and quality. Any modifications made to the original product could damage the structural integrity of the unit leading to failure and possible injury. Modification voids any and all warranties and Backyard Discovery assumes no liability for any modified products or consequences resulting from failure of a modified product.

This product is warranted for RESIDENTIAL USE ONLY. Under no circumstance should a Backyard Discovery product be used in public settings. Such use may lead to product failure and potential injury. Any and all public use will void this warranty. Backyard Discovery disclaims all other representations and warranties of any kind, express or implied.

This Warranty gives you specific legal rights. You may have other rights as well which vary from state to state or province to province. This warranty excludes all consequential damages, however, some states do not allow the limitation or exclusion of consequential damages and therefore this limitation may not apply to you.

### Pro Rated Part Replacement Schedule

#### Product Age

#### **All Parts**

0-30 days from date of purchase

31 days to 1 year

#### **Wood Rot and Decay Only**

1 year

2 years

3 years

4 years

5 years

Over 5 years

#### Customer Pays

\$0 and free shipping

\$0 + S&H

\$0 and free shipping

20% + S&H

40% + S&H

60% + S&H

80% + S&H

100% + S&H