

ASSEMBLY INSTRUCTION

MODEL: 0377A
B750 DRESSER & MIRROR

(Box 1)

BOX OF MIRROR

NO	ITEM	Qty
A	MIRROR	1 PC

(Box. 2)

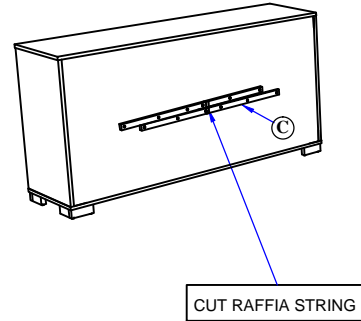
BOX OF DRESSER

NO	ITEM	Qty
B	DRESSER	1 PC
C	MIRROR SUPPORT	2 PCS

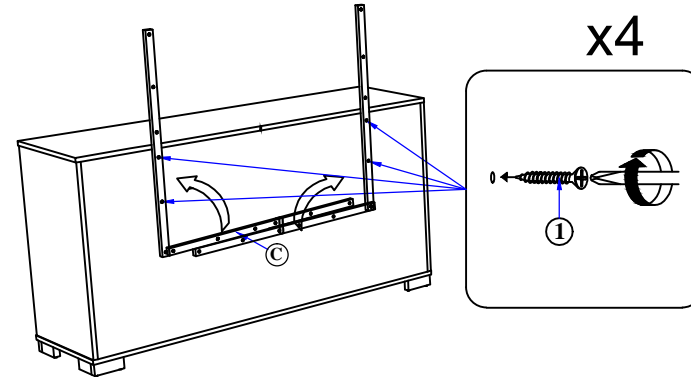
(Box. 1)
HARDWARE LIST

NO	ITEM	Qty
1	Flat Head Chipboard Screw m4x32mm Rbw	10 PCS

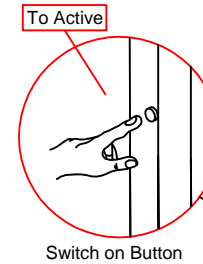
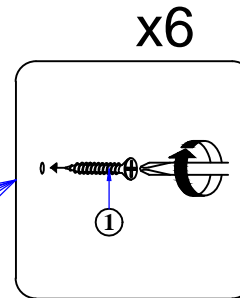
STEP 1 : Cut of the Raffia String from the back of DRESSER (B).



STEP 2 : Place the MIRROR FRAME (A) on the top of DRESSER (B), turn the MIRROR SUPPORT RAIL (C) upward at the back of DRESSER (B), then Tighten with CSK SCREW (1).

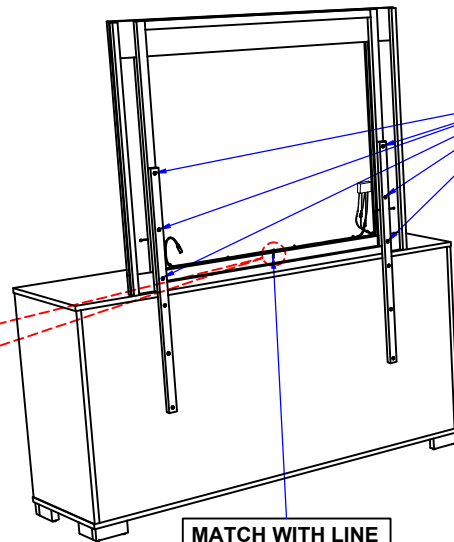
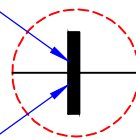


STEP 3 : Tighten the CSK Screw (1) as shown.

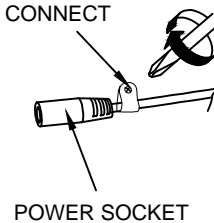


Mirror line marking

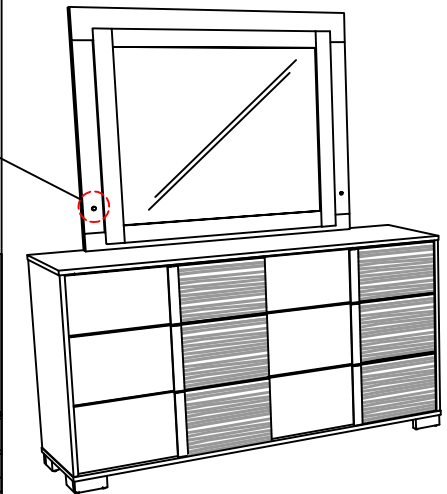
Dresser line marking



LOOSEN THE SCREW TO CONNECT



Back View



COMPLETED ASSEMBLY

NOTE : MUST TIGHTEN SCREWS PERIODCALLY WITH USE SCREW WILL BECOME LOOSE CHECK TIGHTNESS OF ALL SCREW EVERY 6-8 WEEKS.