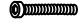








Assembly Instruction for SIDE CHAIR

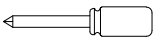
PART LIST

NO.	PART DESC	Q'TY
1	BACK FRAME WITH CUSHION	1 PC
2	SEAT FRAME WITH CUSHION	1 PC
3	FRONT LEFT LEG	1 PC
4	FRONT RIGHT LEG	1 PC
5	FRONT STRETCHER	1 PC
6	STRETCHER	2 PCS

HARDWARE LIST

NO.	HARDWARE DESC	CODE.	Q'TY
A	 ALLEN BOLT (5/16"x 75mm)		4
B	 ALLEN BOLT (5/16"x 57mm)		4
C	 ALLEN BOLT (5/16"x 45mm)		1
D	 SPRING WASHER(5/16")		9
E	 FLAT WASHER (5/16"x 22mm)		9
F	 SCREWS(#8x45mm)		6
G	 ALLEN KEY(M5)		1

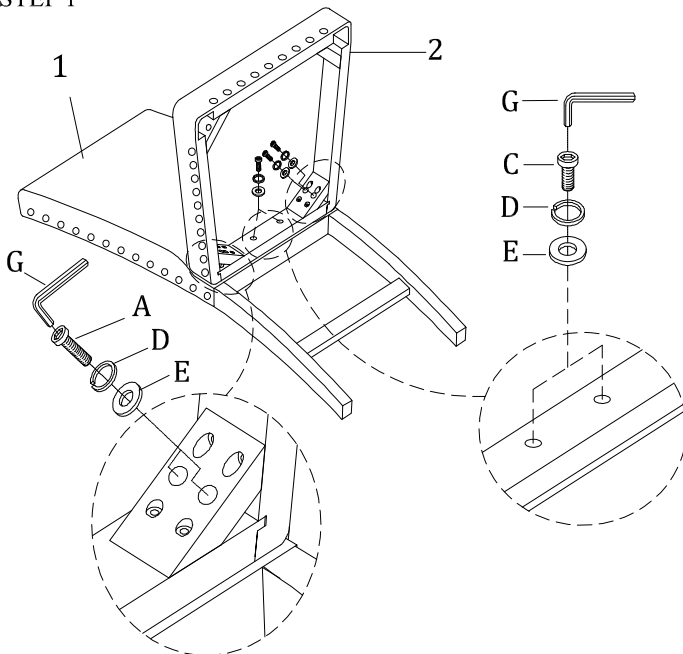
TOOLS REQUIRED (NOT PROVIDED)



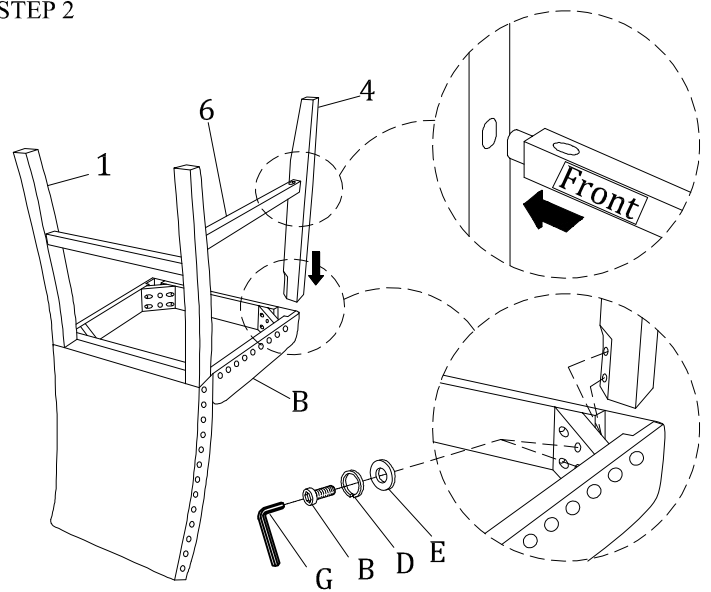
PHILLIPS SCREW DRIVER

NOTES : Do not fully tighten any bolts until last step.

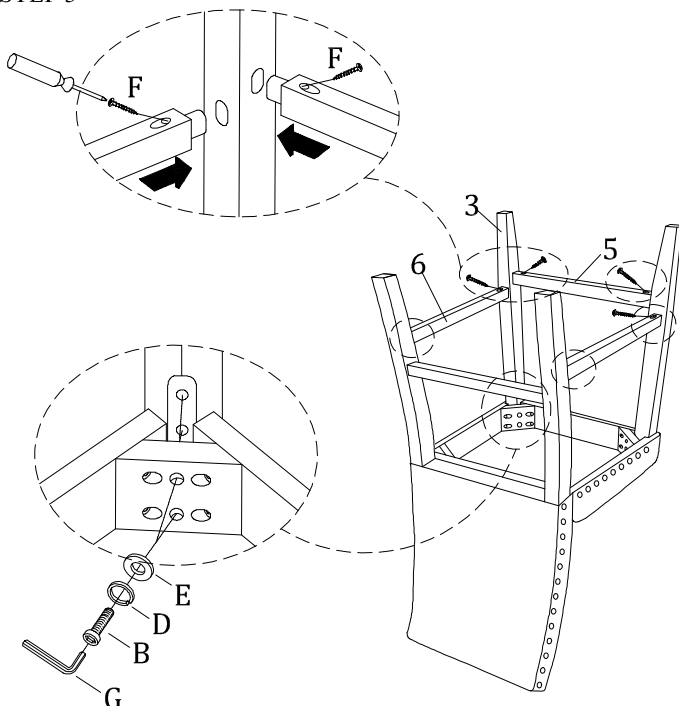
STEP 1



STEP 2



STEP 3



COMPLETED

