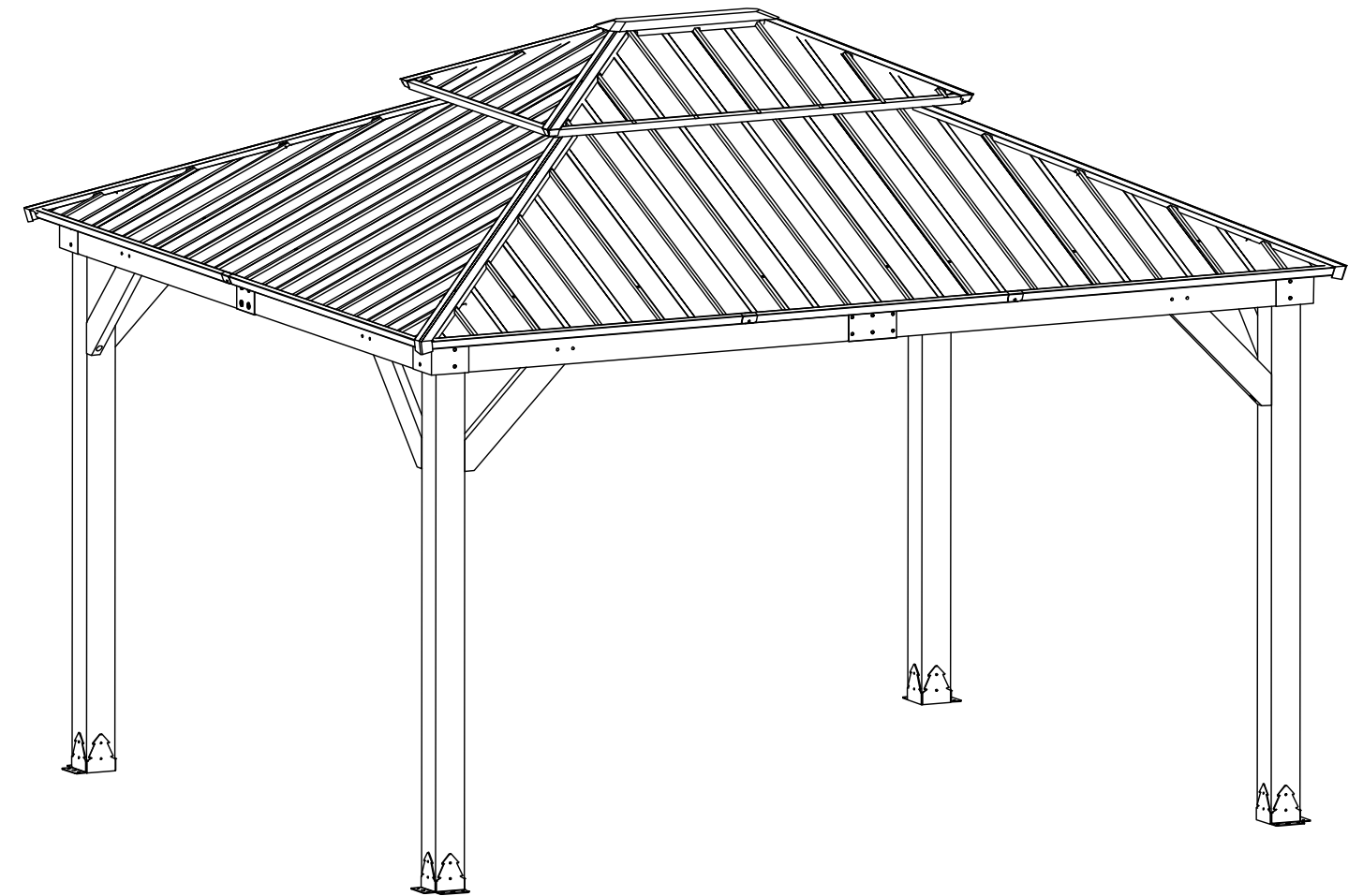


ASSEMBLY INSTRUCTION

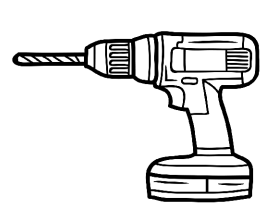


Before You Start

Please read all instruction carefully.
Retain instructions for future reference.
Separate and count all parts and Hardware.
Read through each step carefully and follow the proper order.
Keep all small parts and packaging materials for this product

INTRODUCTION

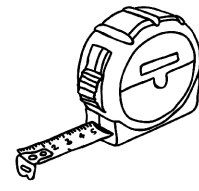
The following tools are not included and needed for assembly



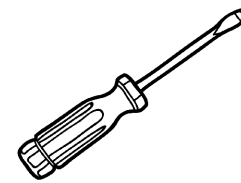
Drill



Hammer



Tape



Screwdriver



Stepladder

Note:

1. The gazebo come with 4 carton boxes.
2. Wearing protective gloves is recommended.
3. Do not fully tighten screws prior to complete assembly.



Before You Start

- Please read all instructions carefully.
- Retain instructions for future reference.
- Separate and count all parts and hardware.
- Read through each step carefully and follow the proper order.
- We recommend that, where possible, all items are assembled near to the area in which they will be placed in use, to avoid moving the product unnecessarily once assembled.
- Always place the product on a flat, steady and stable surface.
- Keep all small parts and packaging materials for this product away from babies and children as they potentially pose a serious choking hazard.

Care and Maintenance

1. Our steel components for garden accessories and furniture are treated with rust inhibiting paint that protects it from rusting. However, due to the nature of steel, surface oxidation (rusting) will occur once these protective coatings are scratched. This is not a defect and thus not covered by the warranty.
2. To minimize this condition, we recommend care when assembling & handling the product to prevent scratching the paint. Should any scratching or damage occur, we recommend immediate touch-up with rust inhibiting paint.
3. Surface rust can also be easily removed with a very light application of common cooking oil. If surface oxidation (rusting) occurs and if no measure is taken to prevent this, the oxidation may start dripping on to deck or patio and caused damaging stains, which may be difficult to remove. This can be prevented if the above-mentioned measures are taken to keep the product from oxidizing.
4. Use damp cloth to wipe off the stains as quickly as possible.
5. If necessary, wash with a mild solution of soap and water; rinse thoroughly and dry completely.
6. Periodically check and ensure that all bolts are well-tighten during use.

PARTS LIST

Parts List (Carton Box-1/2)

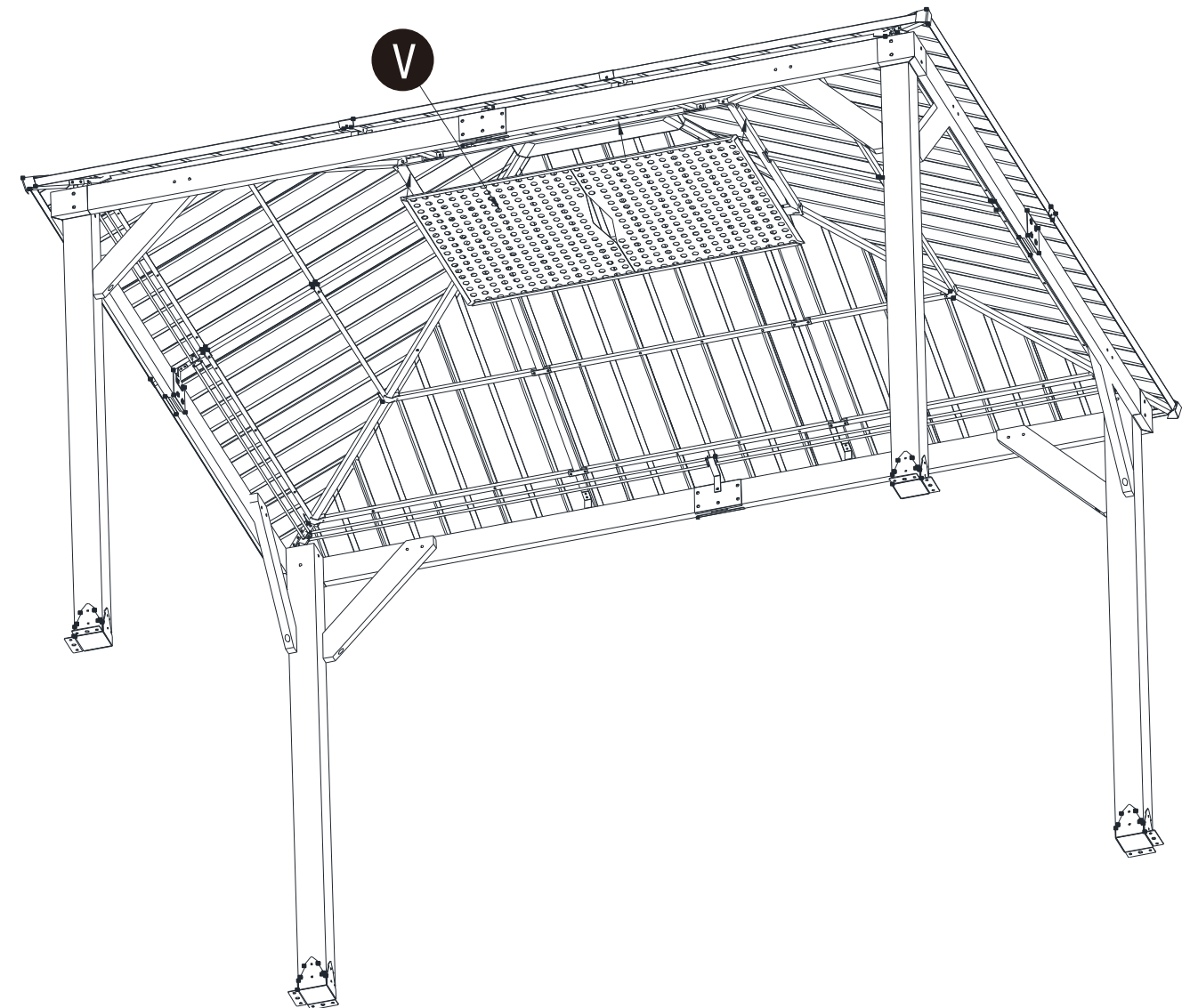
| Parts | Component | QTY | Ref No | Parts | Component | QTY | Ref No |
|-------|-----------|-----|----------------|-------|-----------|-----|----------------|
| 01 | | 4 | 8A500-A256-001 | 02 | | 4 | 8A500-A256-002 |
| 05 | | 4 | 8A500-A256-003 | | | | |

Parts List (Carton Box-3)

| Parts | Component | QTY | Ref No | Parts | Component | QTY | Ref No |
|-------|-----------|-----|----------------|-------|-----------|-----|----------------|
| A1 | | 4 | 8A500-A256-004 | B1 | | 6 | 8A500-A256-005 |
| D1 | | 2 | 8A500-A256-006 | D2 | | 2 | 8A500-A256-007 |
| E1 | | 2 | 8A500-A256-008 | E2 | | 2 | 8A500-A256-009 |
| E3 | | 2 | 8A500-A256-010 | E4 | | 2 | 8A500-A256-011 |
| F1 | | 4 | 8A500-A256-012 | H2 | | 2 | 8A500-A256-013 |
| H6 | | 2 | 8A500-A256-014 | H7 | | 2 | 8A500-A256-015 |
| H8 | | 2 | 8A500-A256-016 | H9 | | 2 | 8A500-A256-017 |
| I5 | | 2 | 8A500-A256-018 | I6 | | 2 | 8A500-A256-019 |
| K1 | | 2 | 8A500-A256-020 | K2 | | 2 | 8A500-A256-021 |
| K3 | | 2 | 8A500-A256-022 | K4 | | 2 | 8A500-A256-023 |
| K16 | | 2 | 8A500-A256-024 | K17 | | 2 | 8A500-A256-025 |
| K12 | | 2 | 8A500-A256-026 | K13 | | 2 | 8A500-A256-027 |
| K14 | | 4 | 8A500-A256-028 | S1 | | 4 | 8A500-A256-029 |
| S2 | | 4 | 8A500-A256-030 | L1 | | 1 | 8A500-A256-031 |
| L2 | | 1 | 8A500-A256-032 | V | | 1 | 8A500-A256-033 |
| M1 | | 4 | 8A500-A256-036 | N1 | | 4 | 8A500-A256-037 |
| Z2 | | 4 | 8A500-A256-038 | Z3 | | 2 | 8A500-A256-039 |
| Z4 | | 6 | 8A500-A256-040 | Z6 | | 2 | 8A500-A256-041 |
| X1 | | 8 | 8A500-A256-042 | X2 | | 8 | 8A500-A256-043 |
| X3 | | 4 | 8A500-A256-044 | X4 | | 4 | 8A500-A256-045 |

Assembly

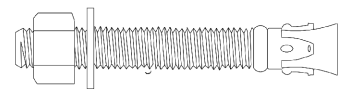
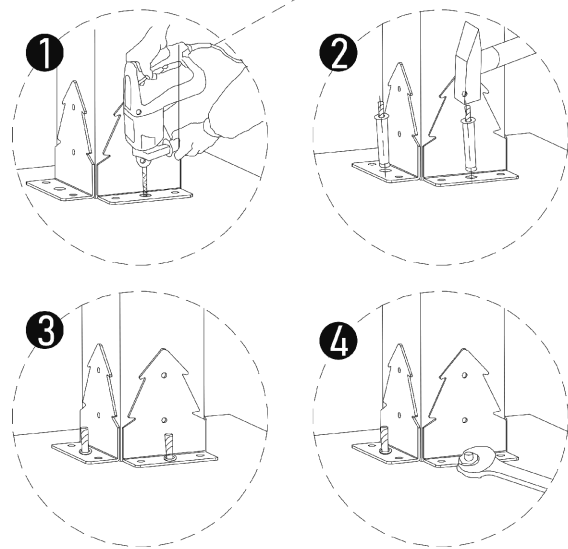
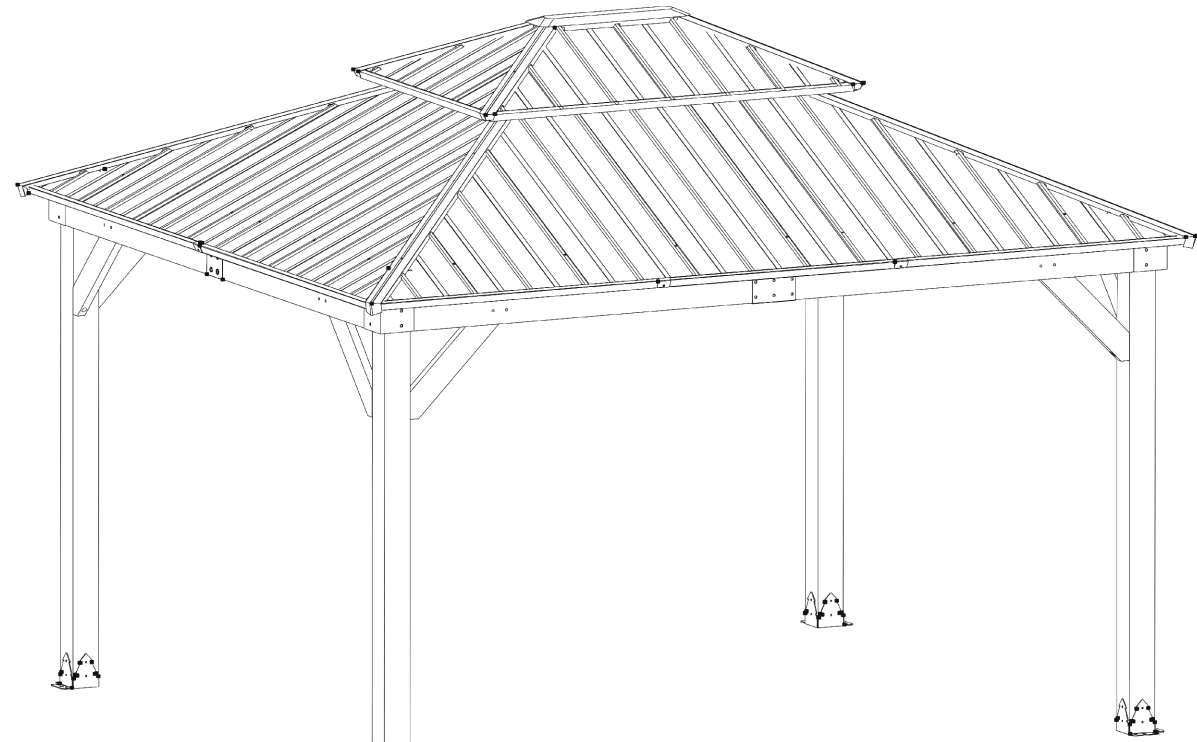
40



Any question, please contact our aftersales emails:
aftersales.group.sam@gmail.com

Assembly

39



M10x80mm

UU x8

44

PARTS LIST

Parts List (Carton Box-3)

| Parts | Component | QTY | Ref No | Parts | Component | QTY | Ref No |
|-------|-----------|--------|----------------|-------|-----------|------|----------------|
| X5 | | 4 | 8A500-A256-046 | Q1 | | 10 | 8A500-A256-047 |
| Q2 | | 1 | 8A500-A256-048 | AA | | 8 | 8A500-A256-049 |
| BB | | 40+4 | 8A500-A256-050 | CC | | 8 | 8A500-A256-051 |
| DD | | 8 | 8A500-A256-052 | EE | | 12+2 | 8A500-A256-053 |
| FF | | 20+1 | 8A500-A256-054 | GG | | 14+2 | 8A500-A256-055 |
| HH | | 16 | 8A500-A256-056 | JJ | | 16+1 | 8A500-A256-057 |
| KK | | 12+1 | 8A500-A256-058 | LL | | 20+2 | 8A500-A256-059 |
| MM | | 22+1 | 8A500-A256-060 | NN | | 2+1 | 8A500-A256-061 |
| TT | | 138+14 | 8A500-A256-062 | UU | | 8 | 8A500-A256-063 |
| V1 | | 1 | 8A500-A256-064 | V2 | | 1 | 8A500-A256-065 |
| Y3 | | 2 | 8A500-A256-066 | Y4 | | 2 | 8A500-A256-067 |
| Y5 | | 2 | 8A500-A256-068 | Y6 | | 2 | 8A500-A256-069 |
| Y7 | | 1 | 8A500-A256-070 | Y8 | | 1 | 8A500-A256-071 |

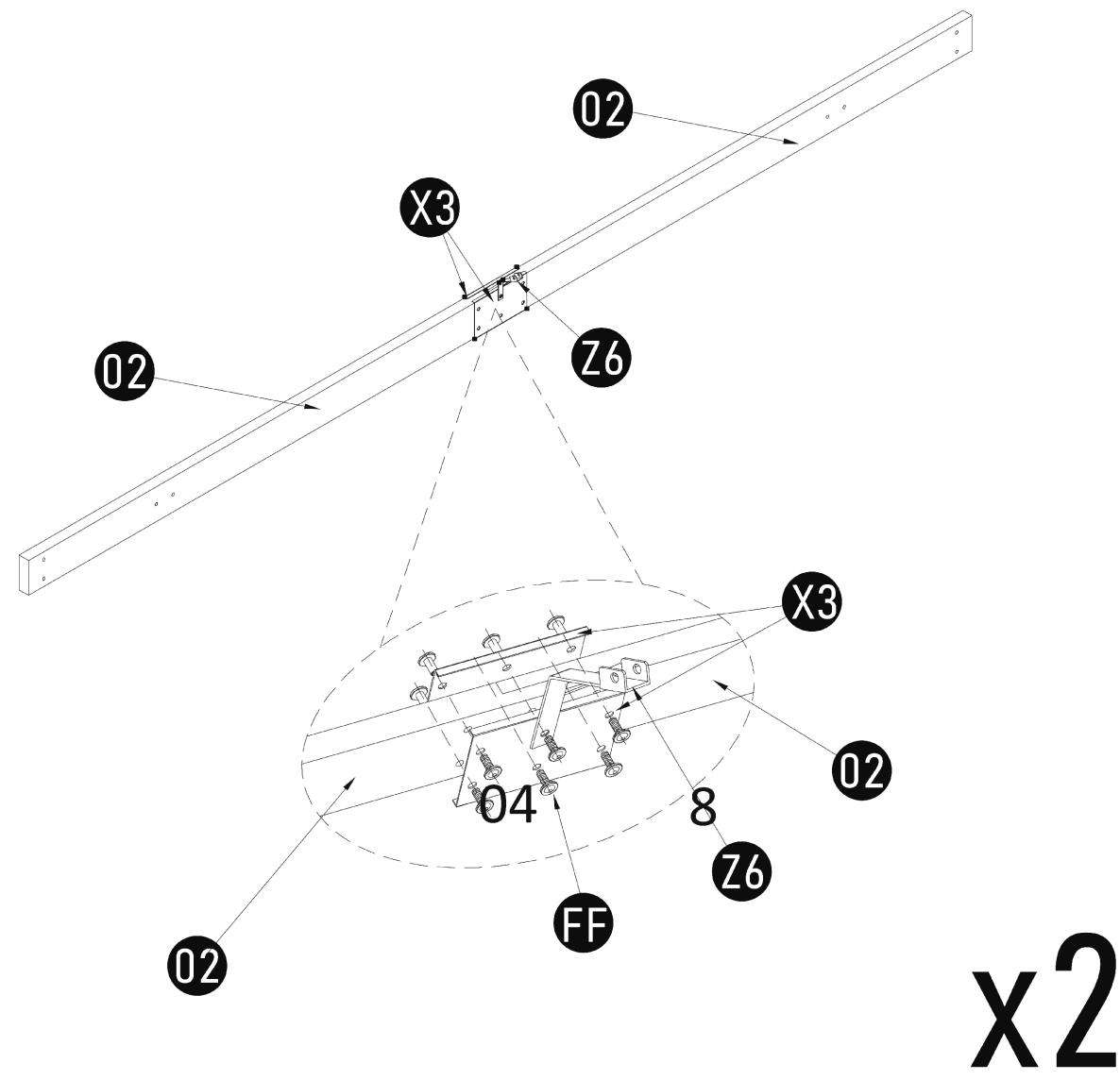
Parts List (Carton Box-4)

| Parts | Component | QTY | Ref No | Parts | Component | QTY | Ref No |
|-------|-----------|-----|----------------|-------|-----------|-----|----------------|
| T1 | | 4 | 8A500-A256-072 | T7 | | 4 | 8A500-A256-073 |
| T8 | | 2 | 8A500-A256-074 | T12 | | 4 | 8A500-A256-075 |
| T13 | | 4 | 8A500-A256-076 | T14 | | 4 | 8A500-A256-077 |
| T15 | | 2 | 8A500-A256-078 | T16 | | 4 | 8A500-A256-079 |
| T17 | | 4 | 8A500-A256-080 | T18 | | 4 | 8A500-A256-081 |
| Q4 | | 8 | 8A500-A256-082 | | | | |

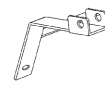
5

Assembly

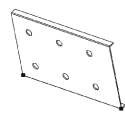
1



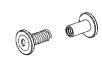
02 x4



Z6 x2



X3 x4



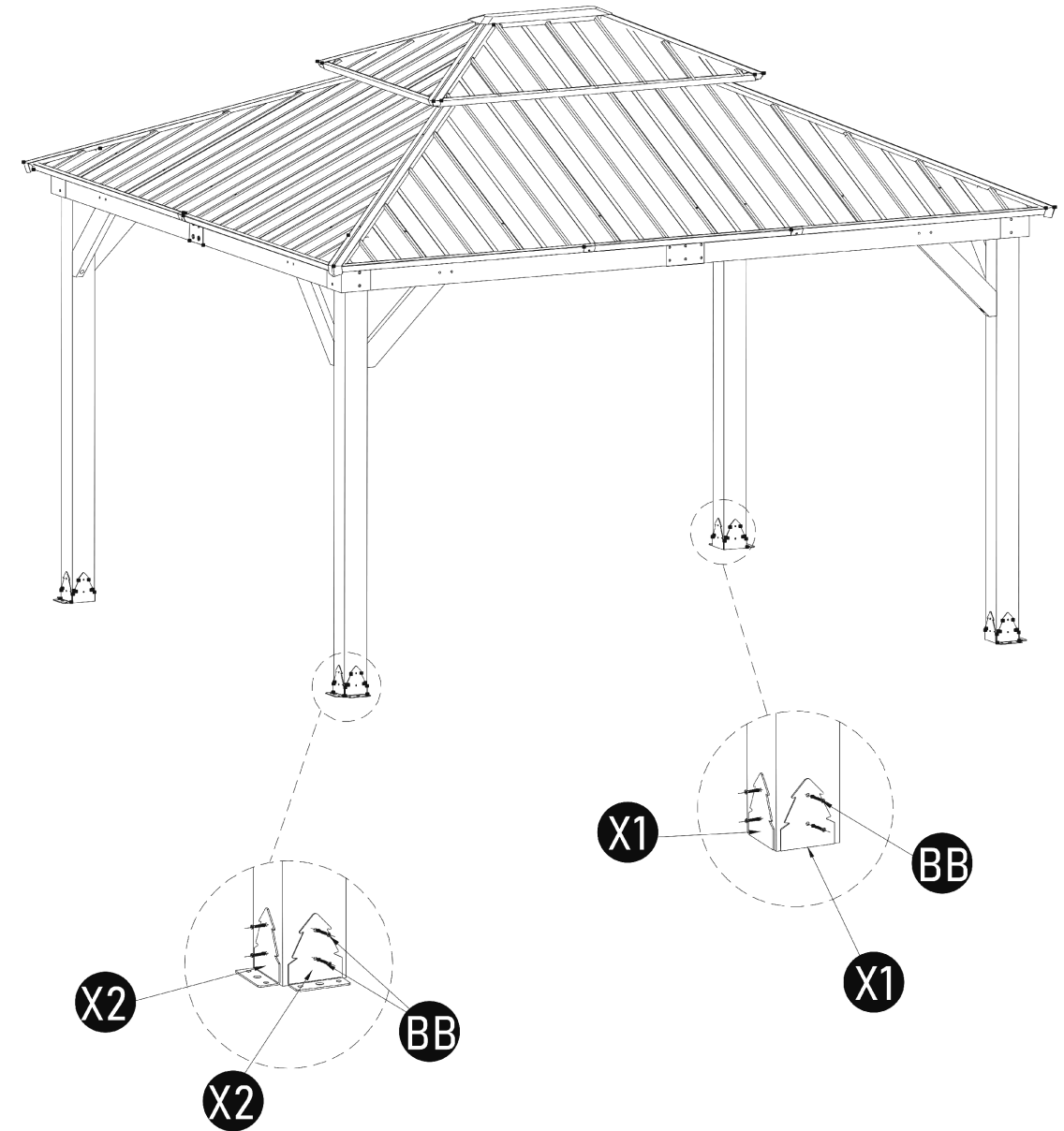
M8x25

FF x12

6

Assembly

38



X1 x8



X2 x8



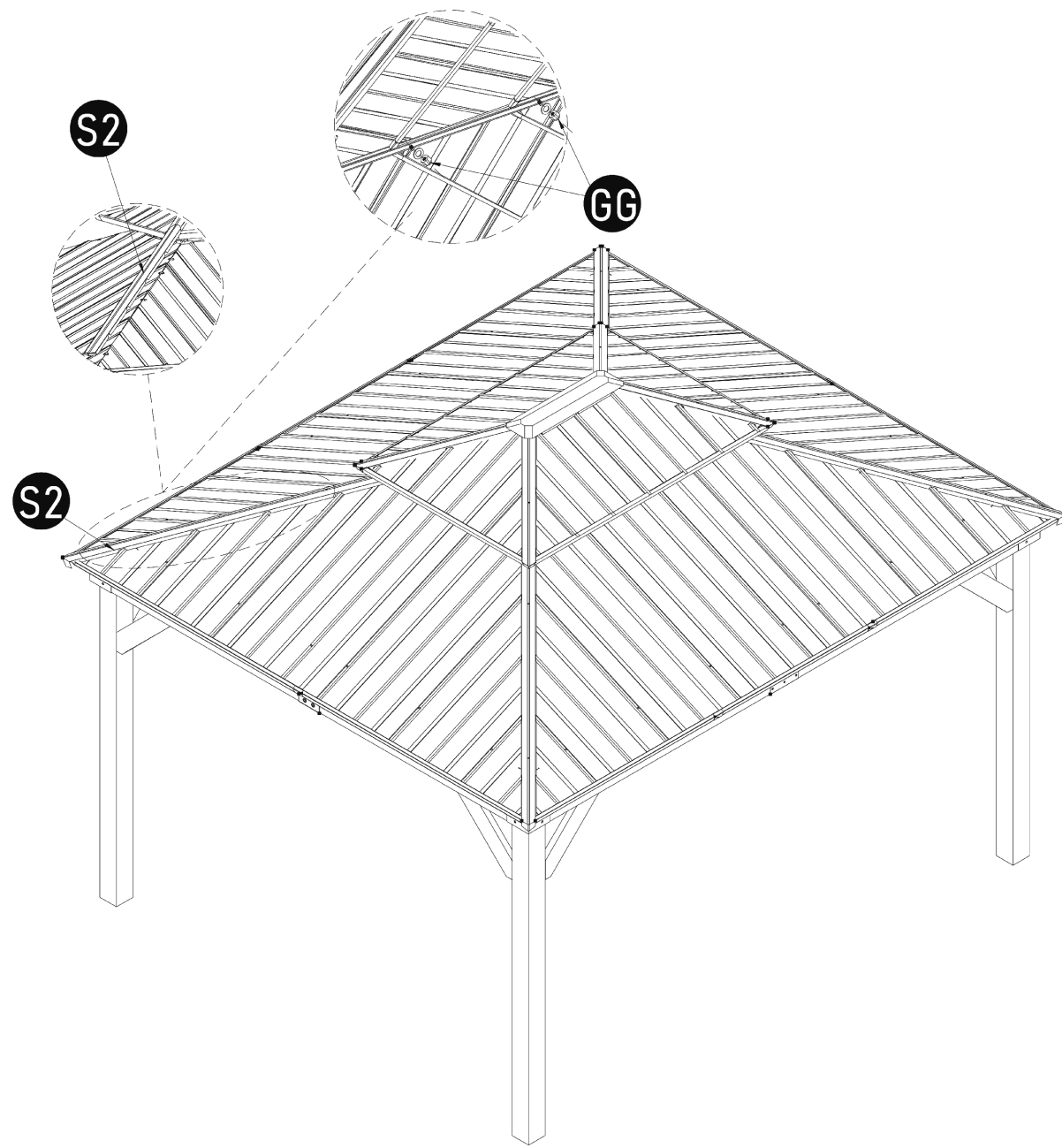
M5x30

BB x32

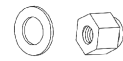
43

Assembly

37



S2 x4

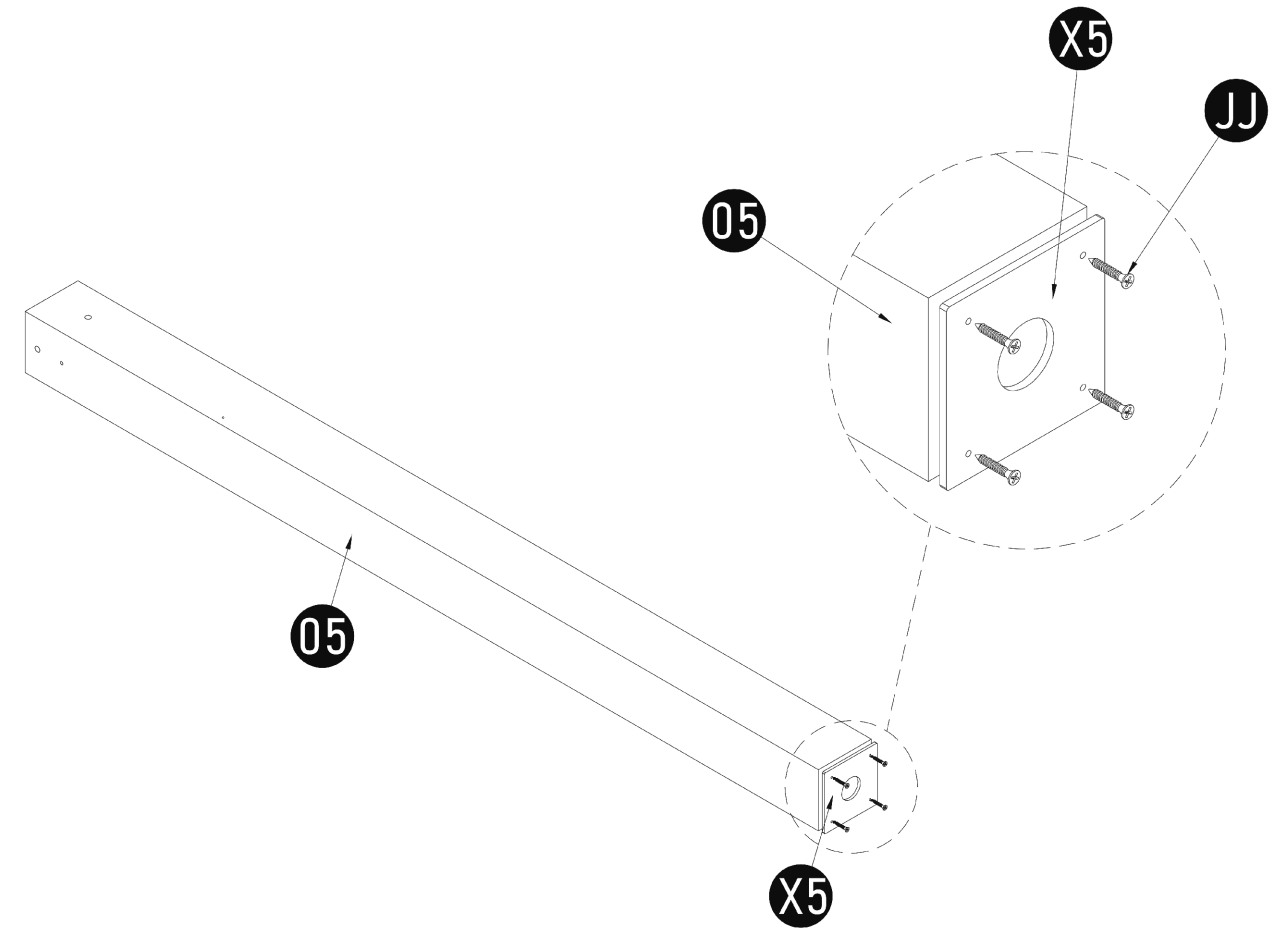


GG x8

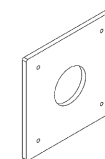
42

Assembly

2



05 x4



X5 x4

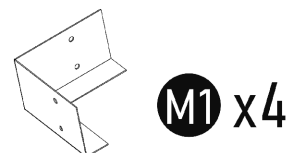
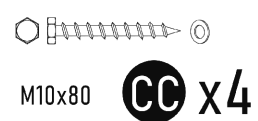
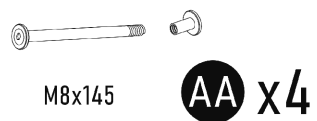
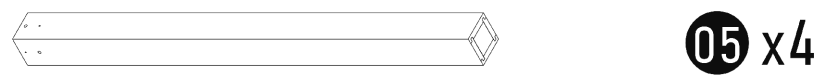
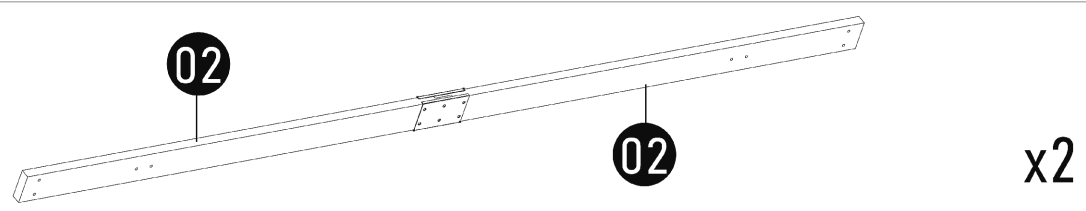
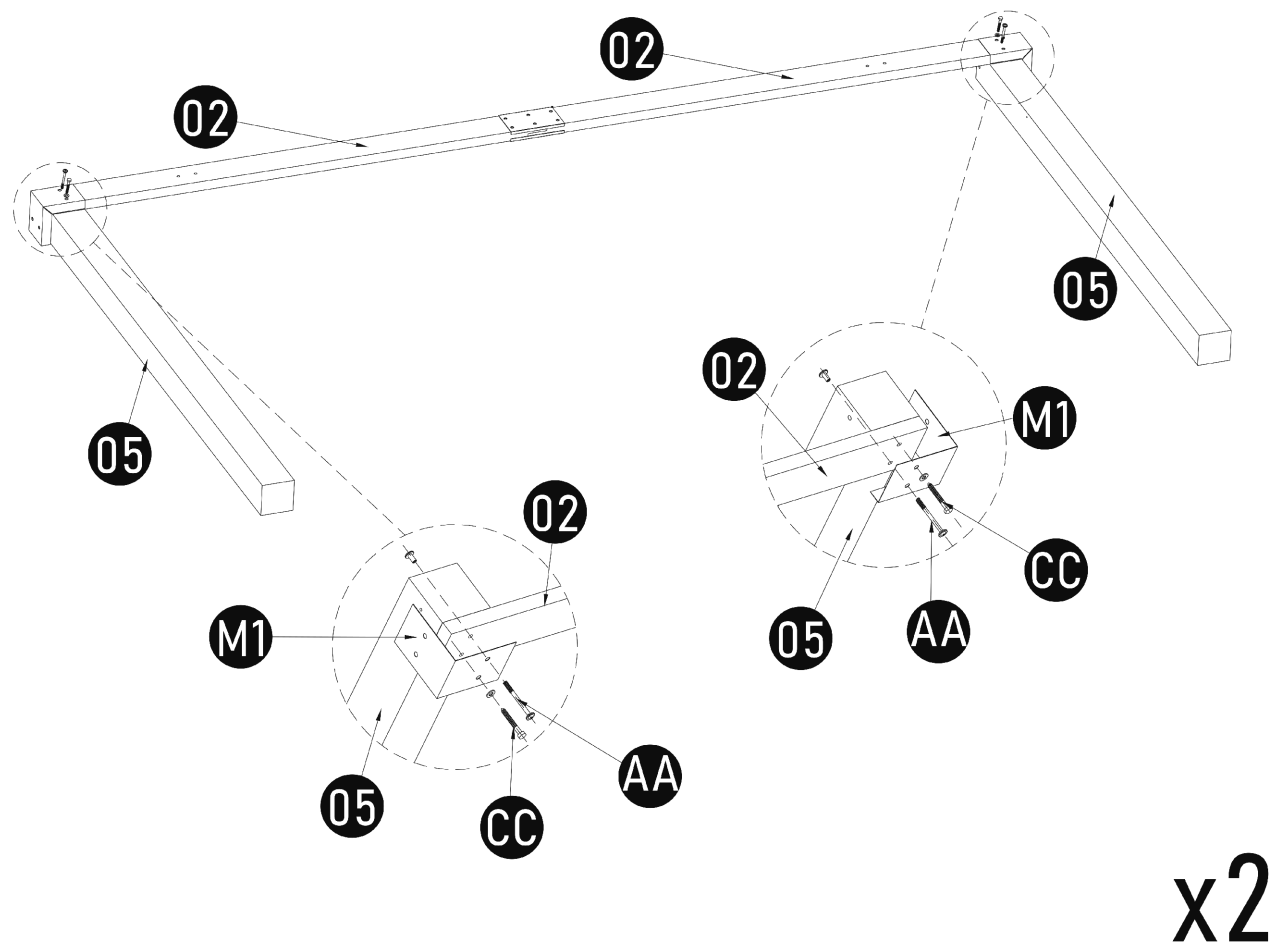


JJ x16

7

Assembly

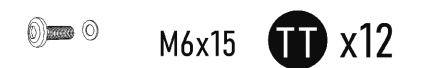
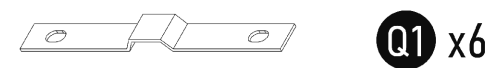
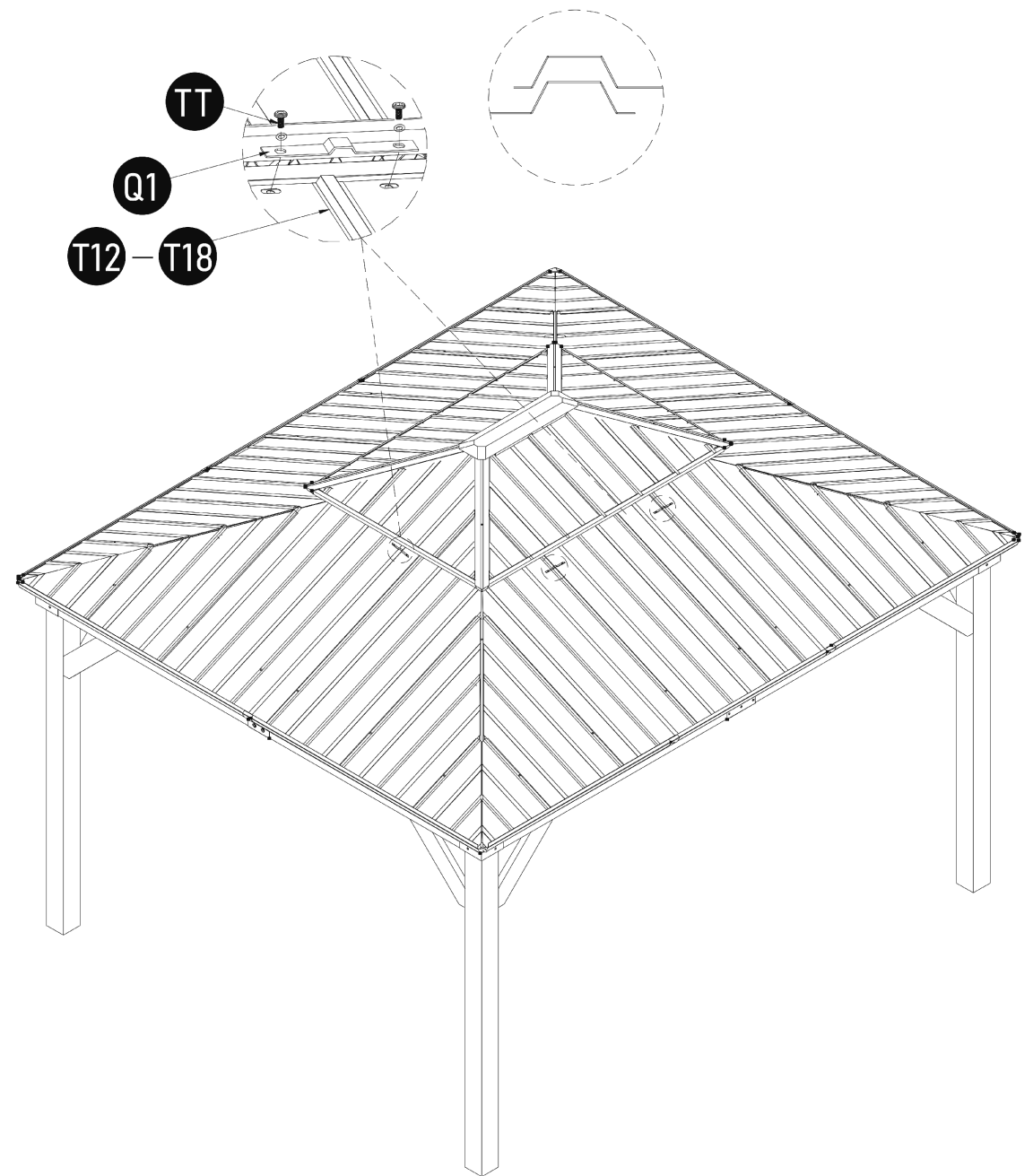
3



8

Assembly

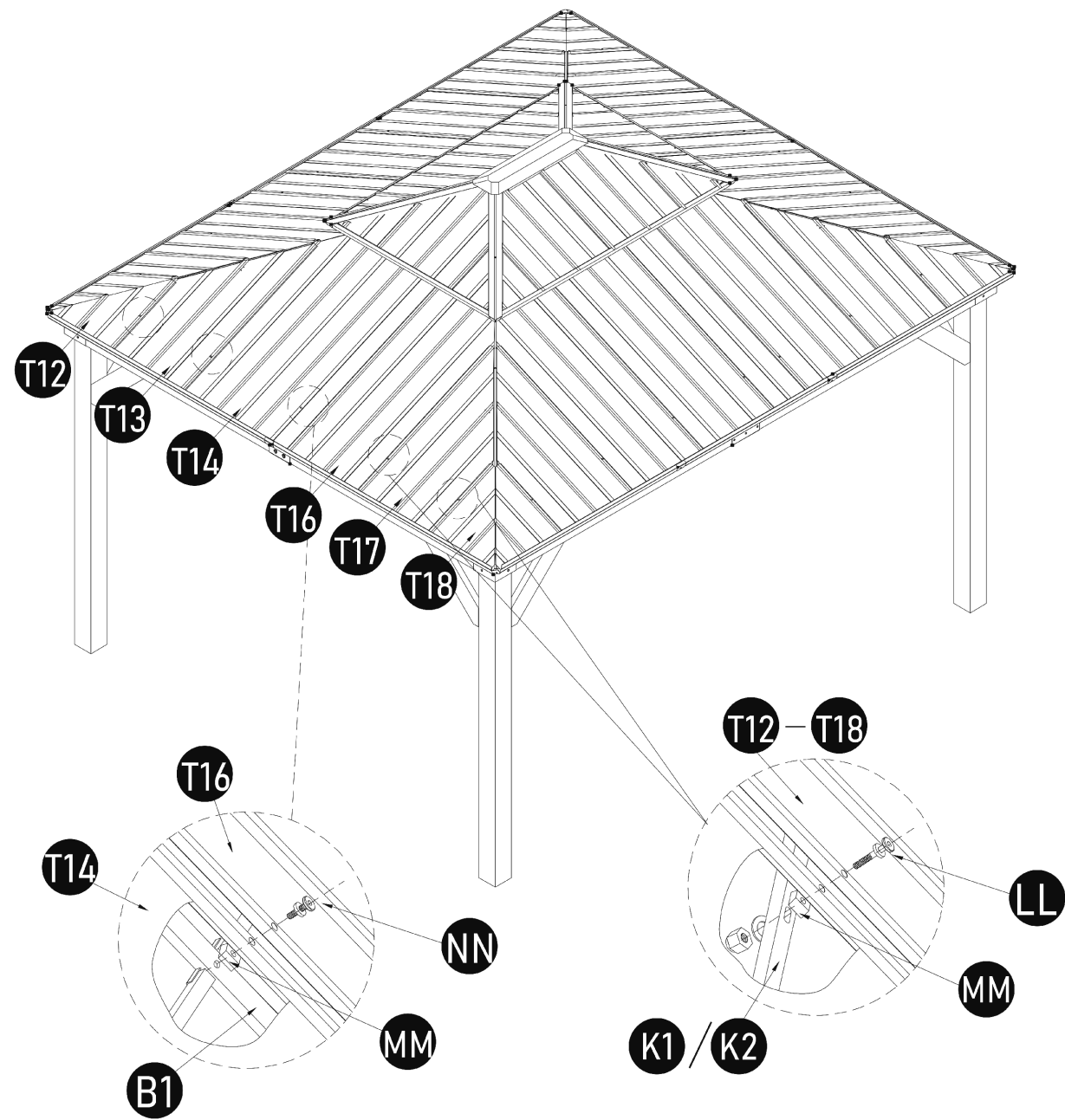
36



41

Assembly

35



M6x25 **NN** x2

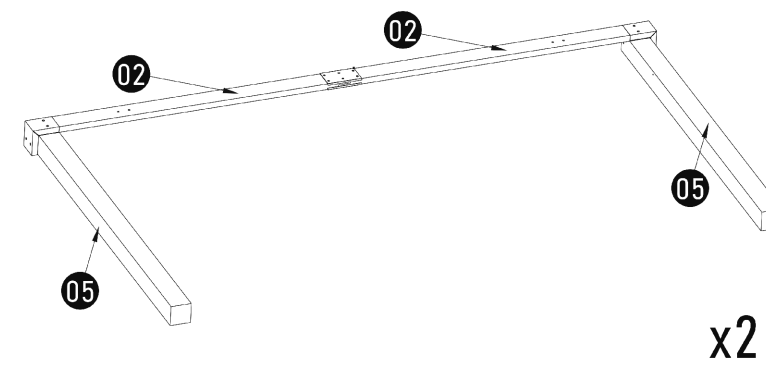
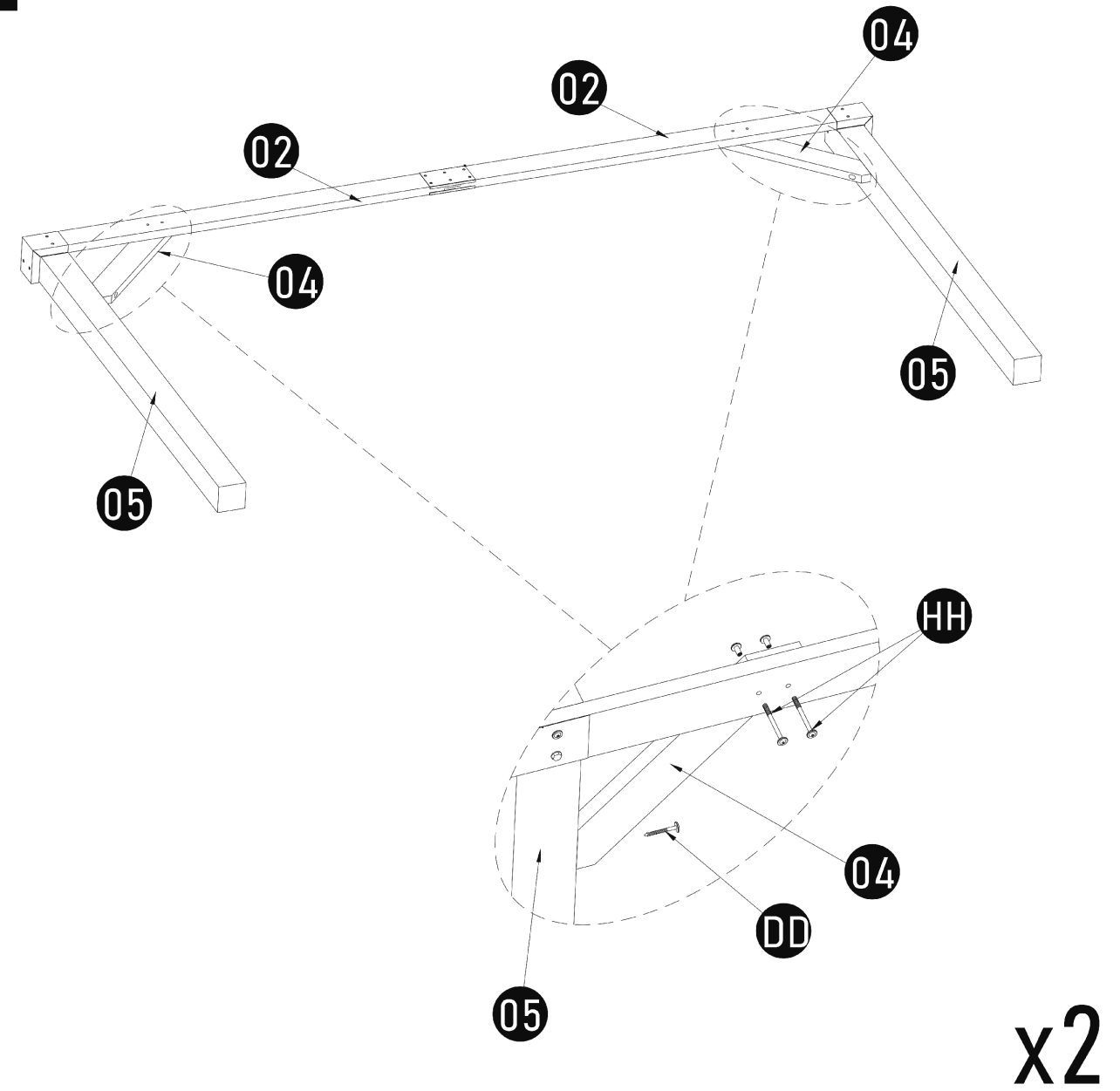
M6x45 **LL** x10

MM x10

40

Assembly

4



04 x4

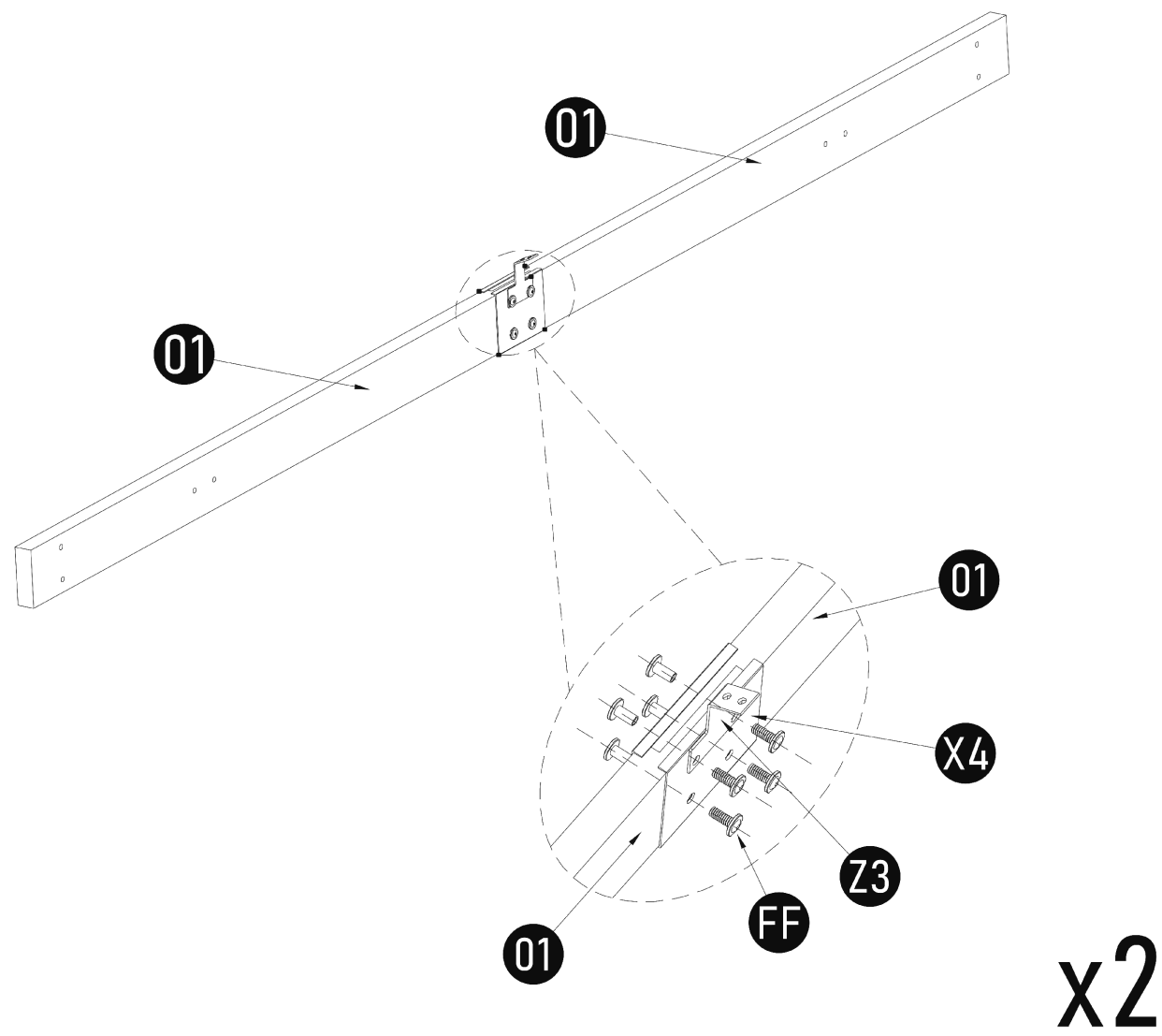
M6x70 **DD** x4

M8x60 **HH** x8

9

Assembly

5



01 x4



Z3 x2



X4 x4



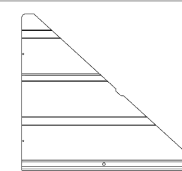
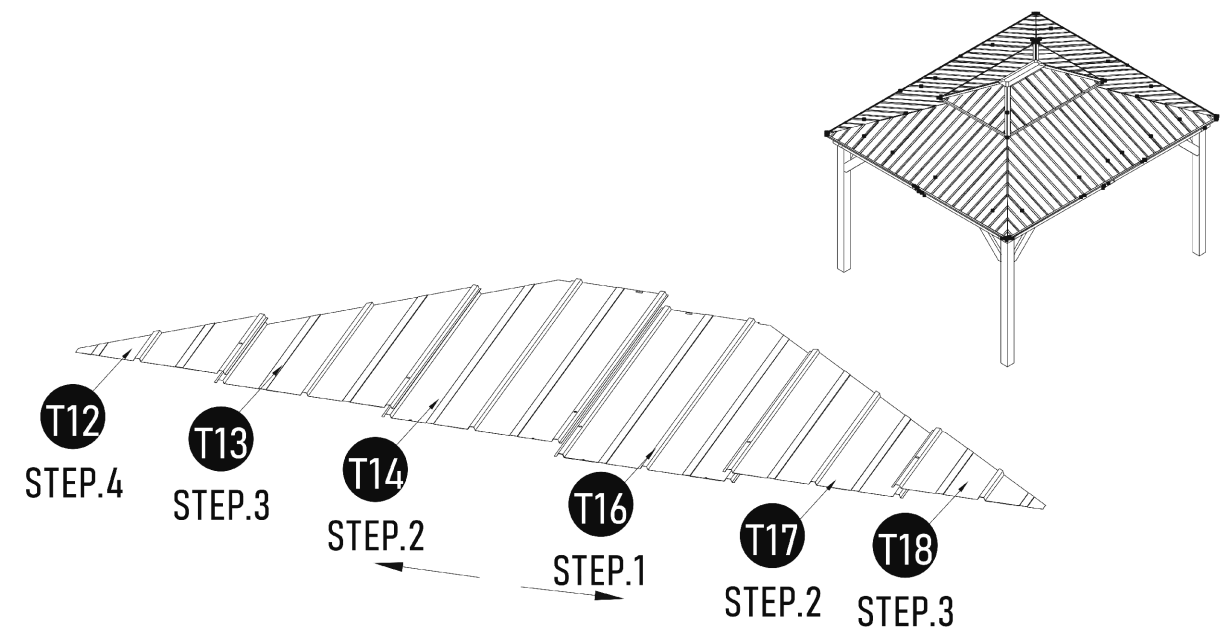
M8x25

FF x8

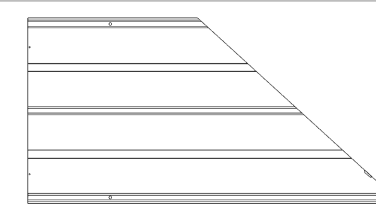
10

Assembly

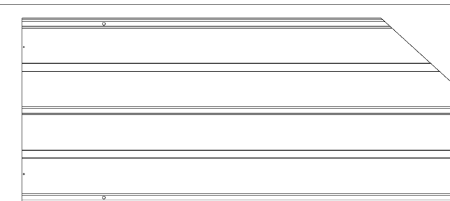
34



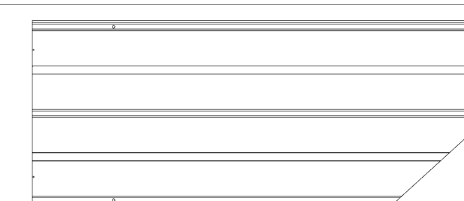
T12 x2



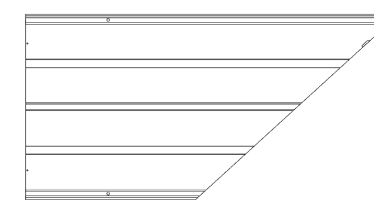
T13 x2



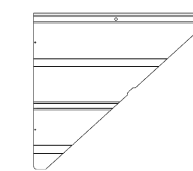
T14 x2



T16 x2



T17 x2

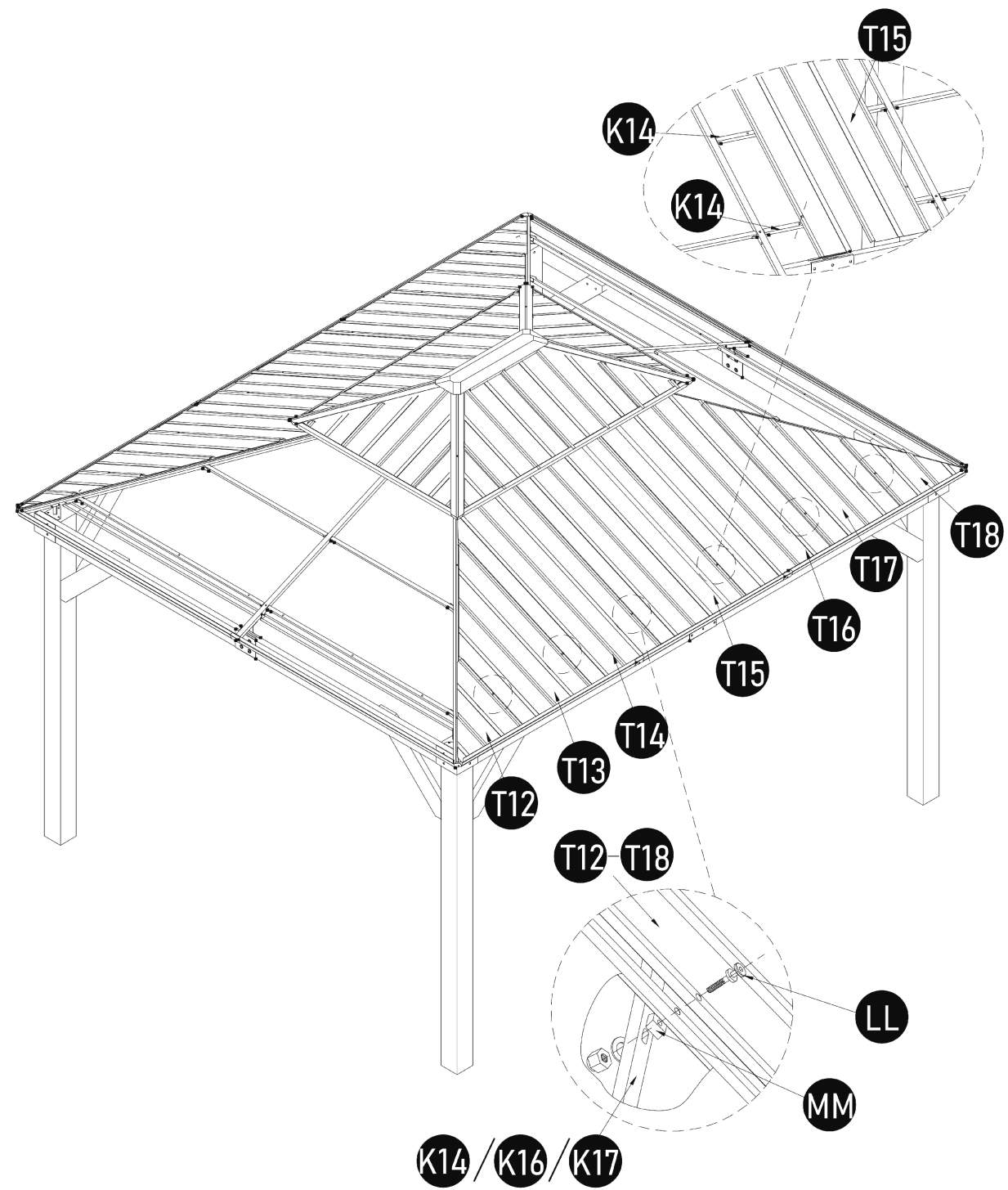


T18 x2

39

Assembly

33



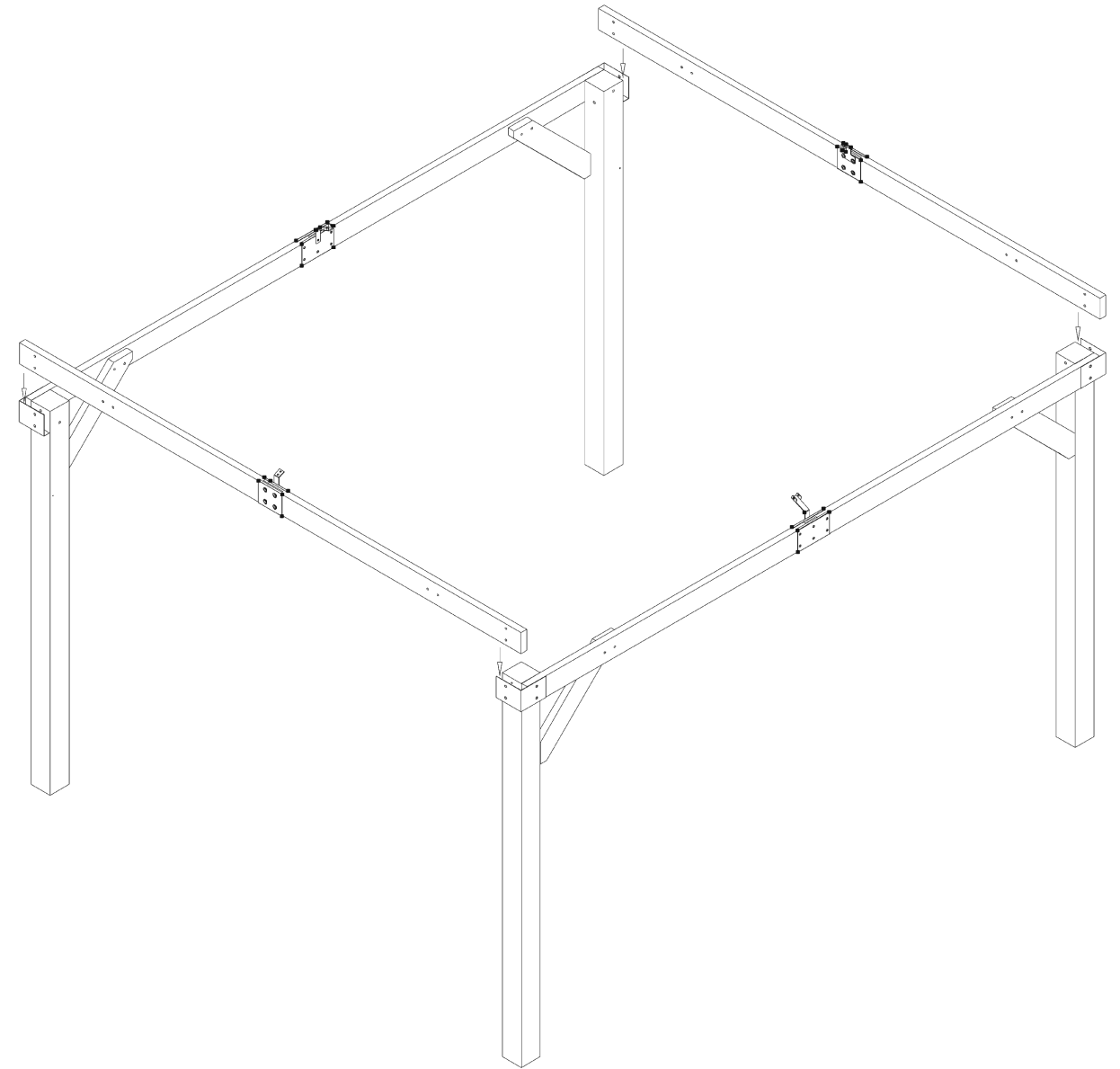
M6x45 LL x12

MM x12

38

Assembly

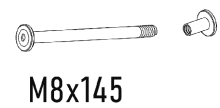
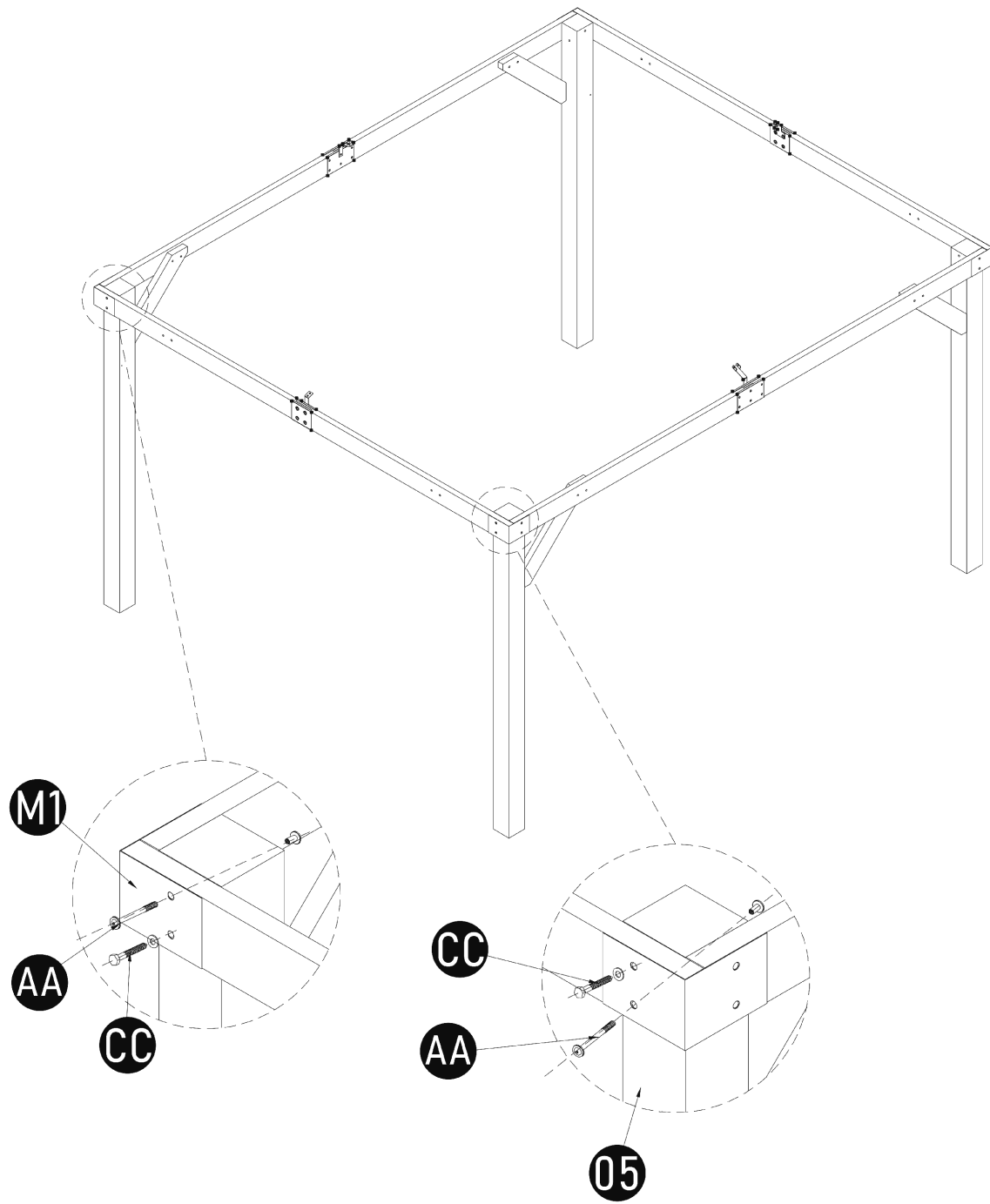
6



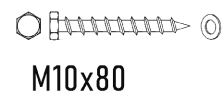
11

Assembly

7



AA x4

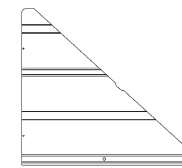
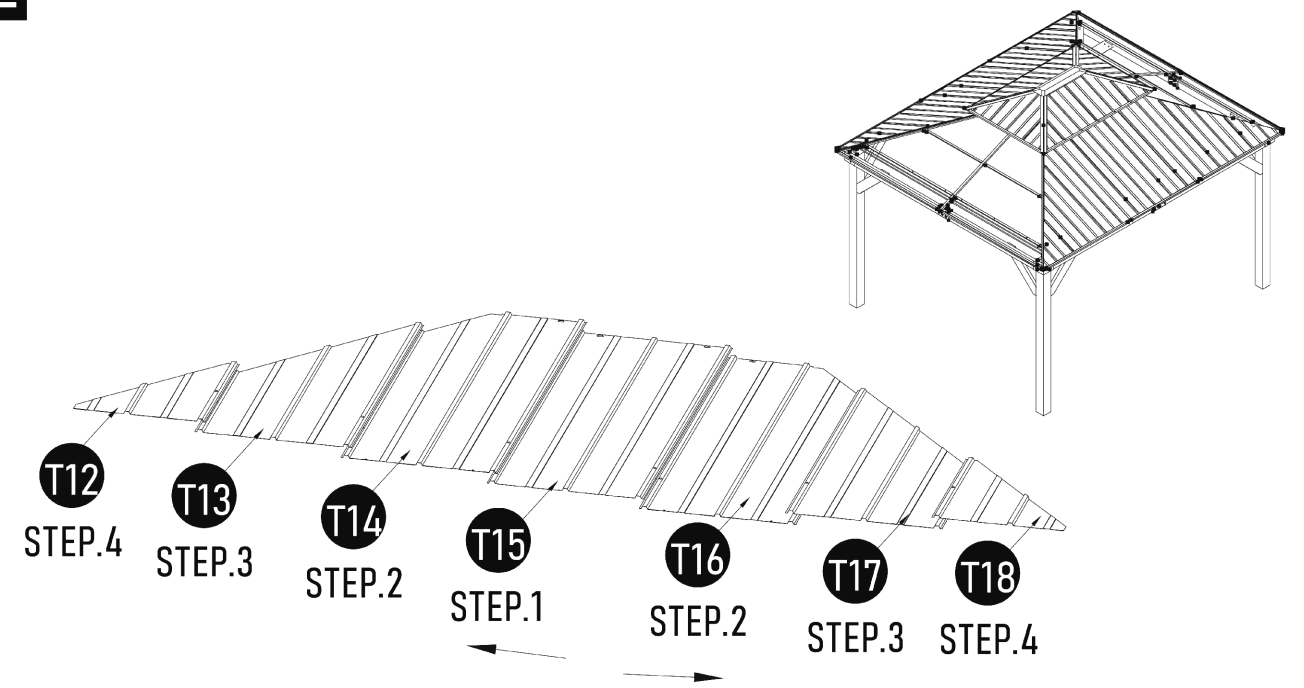


CC x4

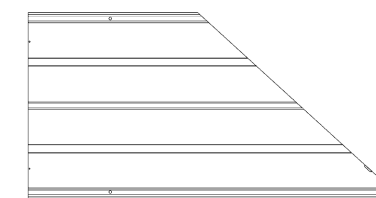
12

Assembly

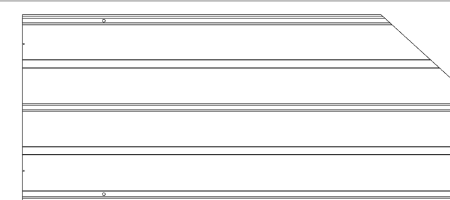
32



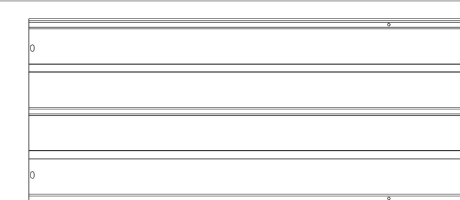
T12 x2



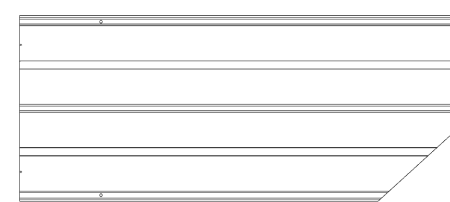
T13 x2



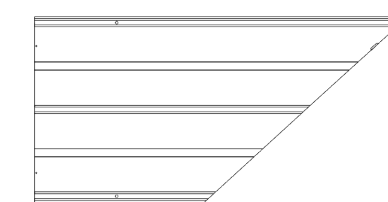
T14 x2



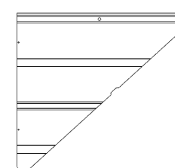
T15 x2



T16 x2



T17 x2

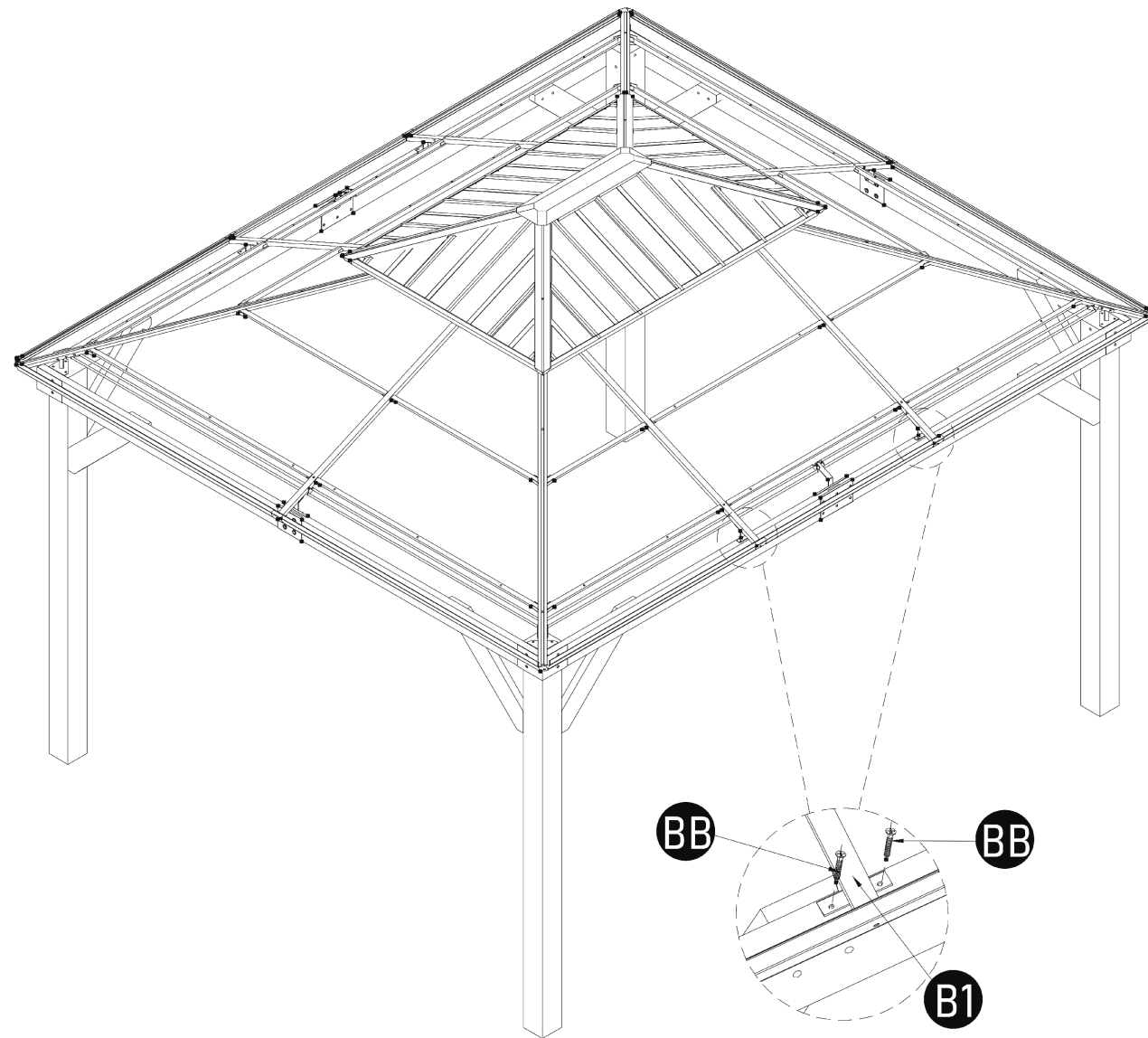


T18 x2

37

Assembly

31



 M5x30 **BB** x8

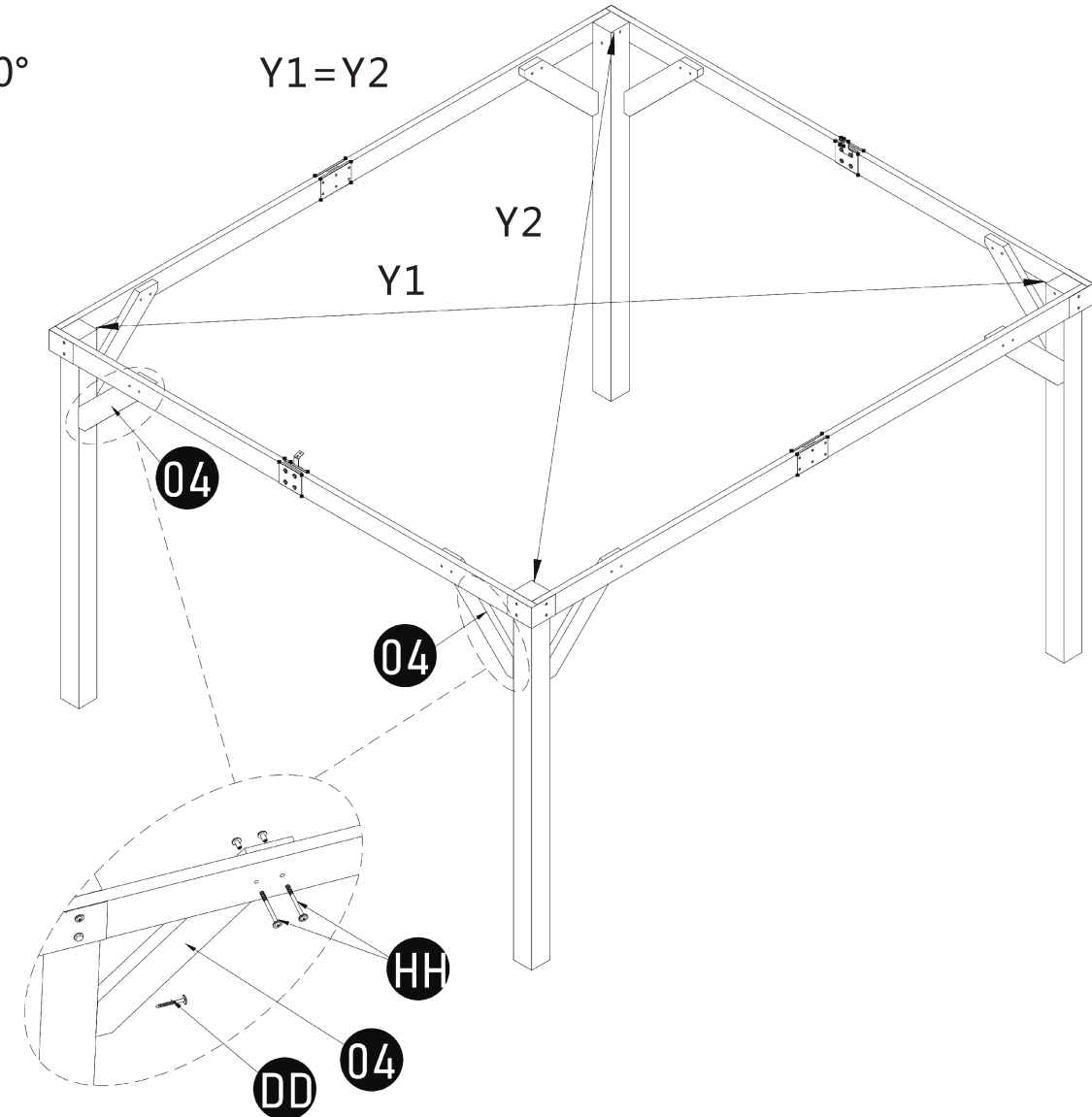
36

Assembly


8

$\angle R=90^\circ$

Y1=Y2



 **04** x4

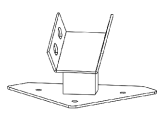
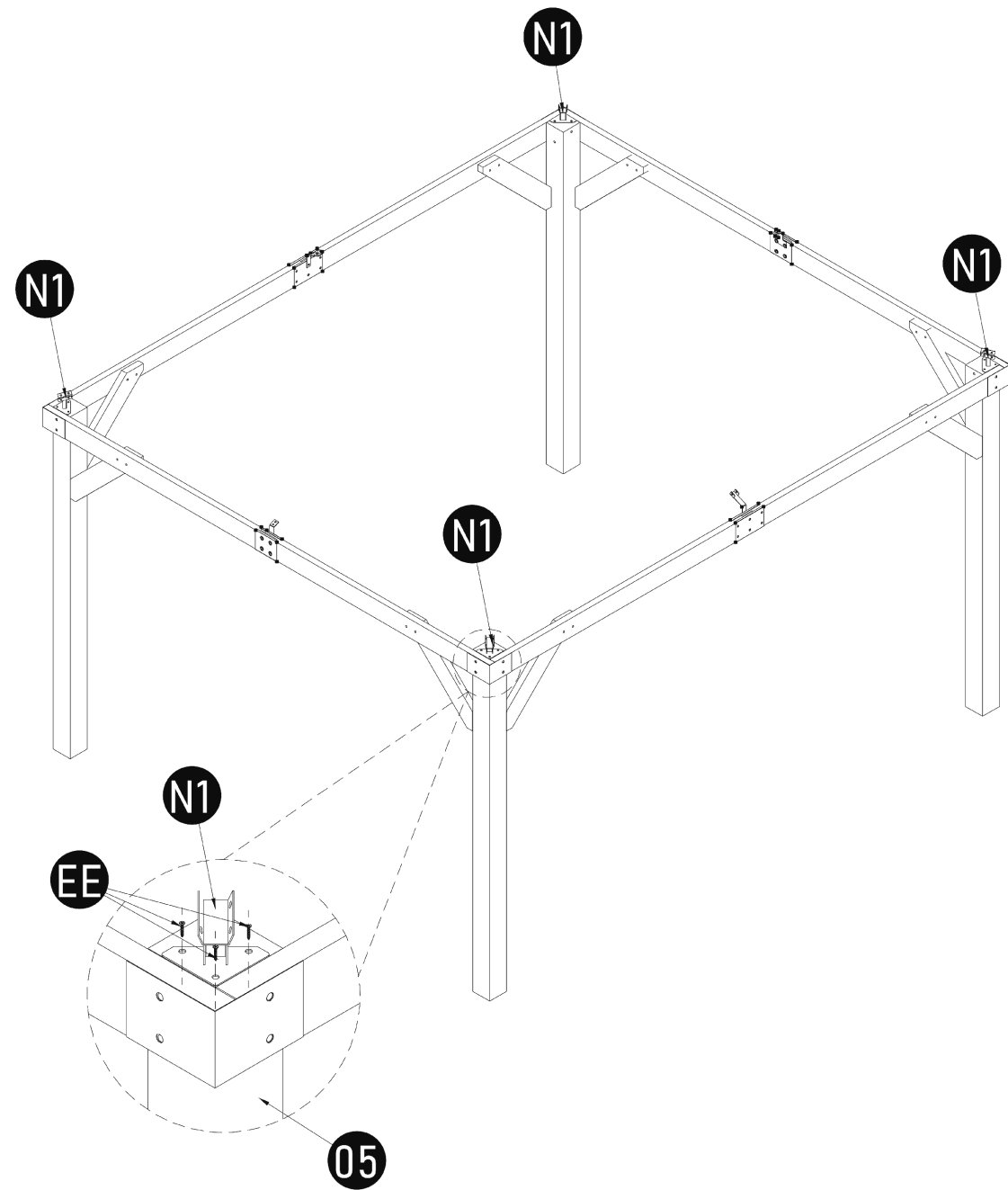
 M6x70 **DD** x4

 M8x60 **HH** x8

13

Assembly

9



N1 x4



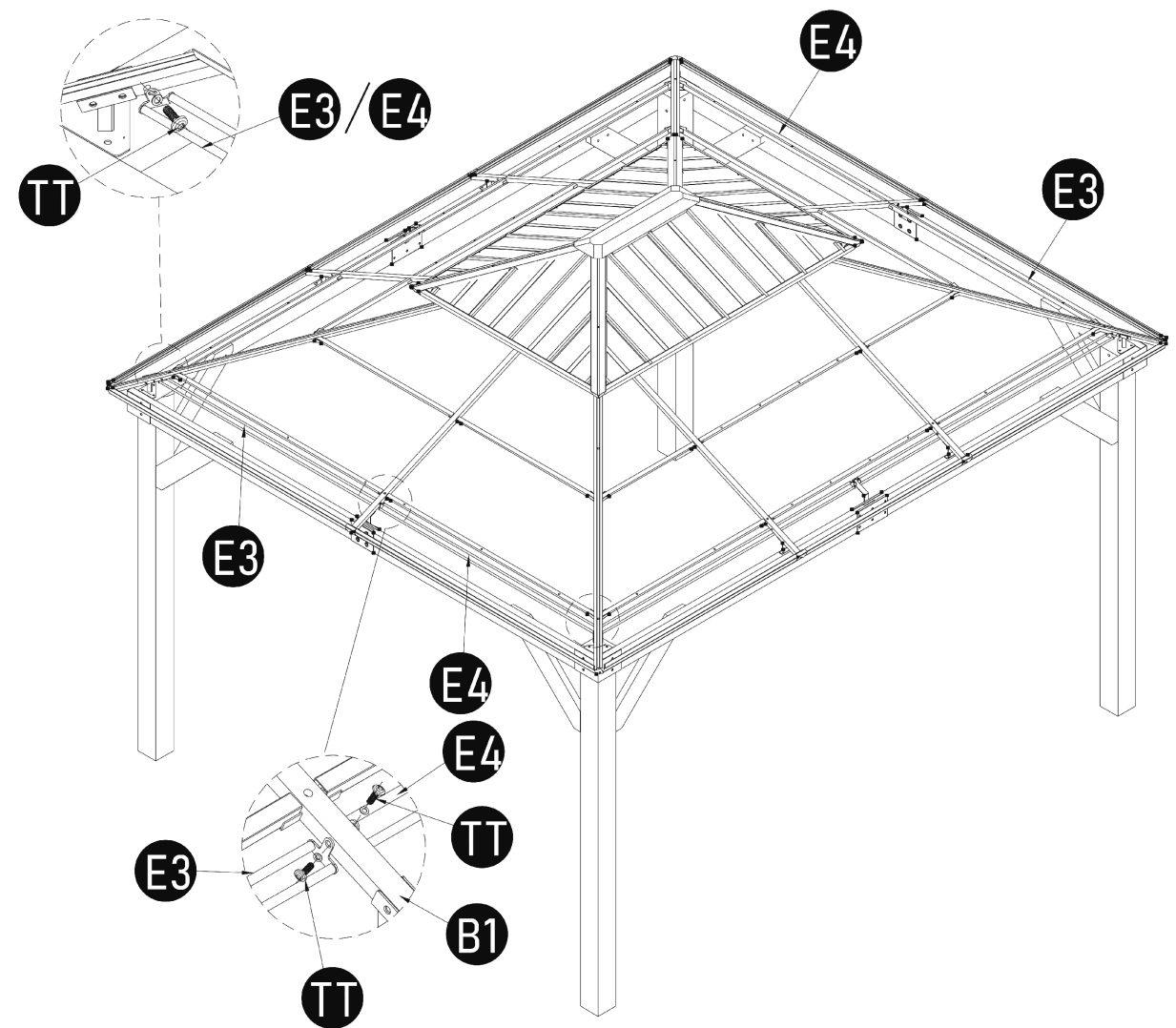
M5x40

EE x12

14

Assembly

30



E3 x2



E4 x2

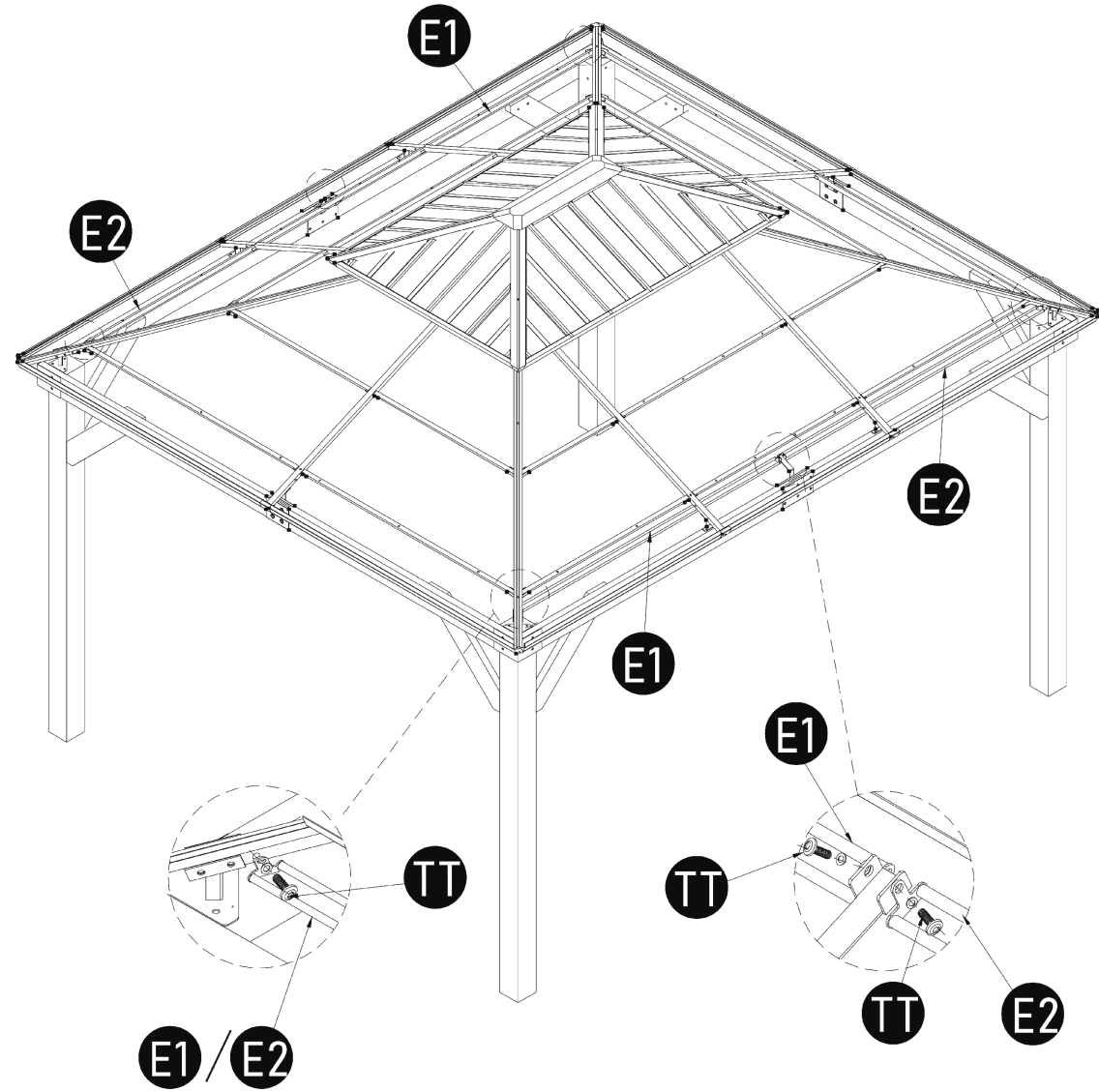


M6x15 TT x8

35

Assembly

29



E1 x2



E2 x2

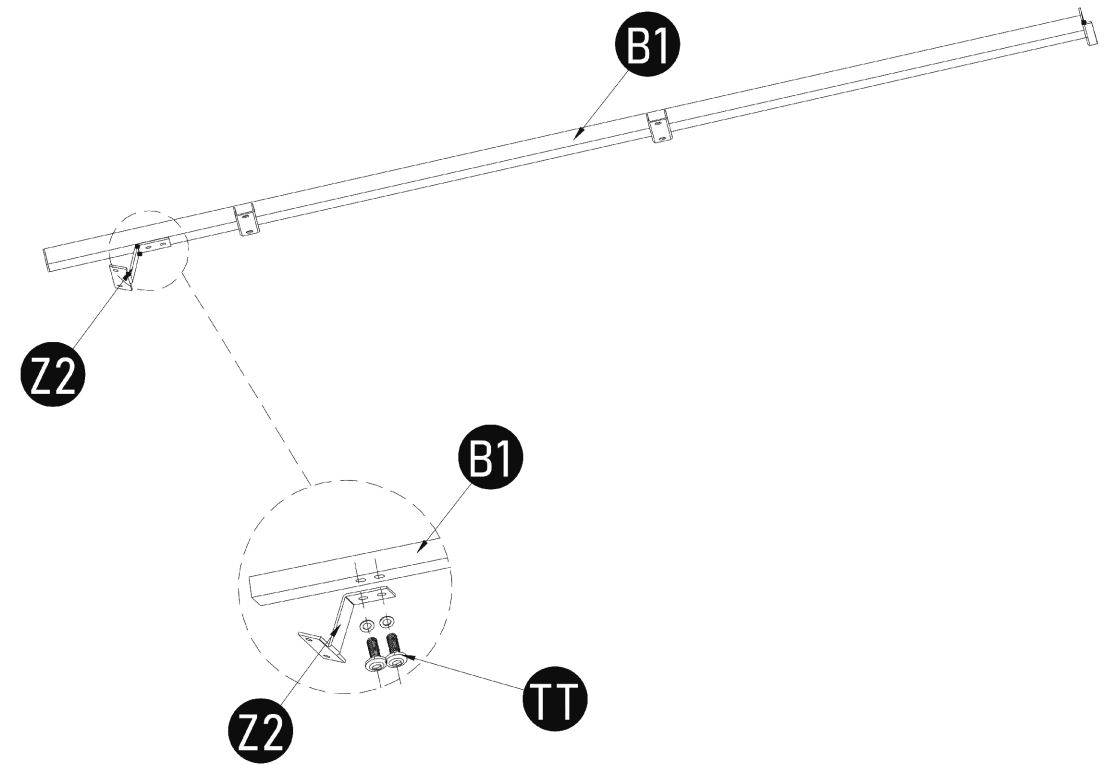


M6x15 TT x8

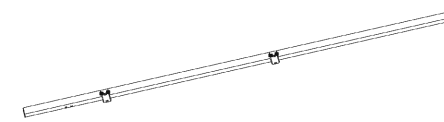
34

Assembly

10



x4



B1 x4



Z2 x4



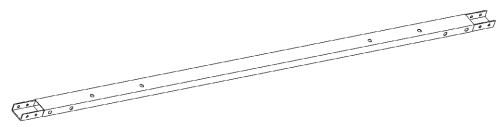
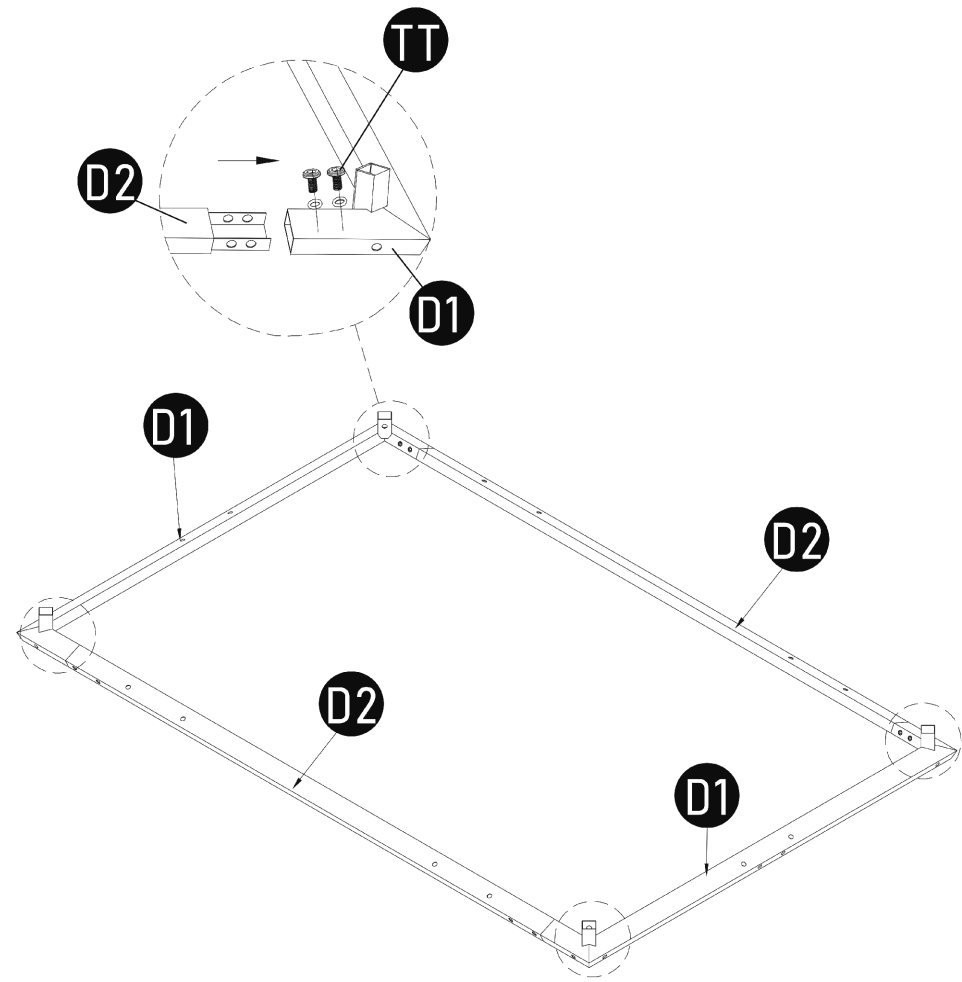
M6x15

TT x8

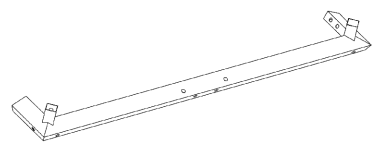
15

Assembly

11



D2 x2



D1 x2



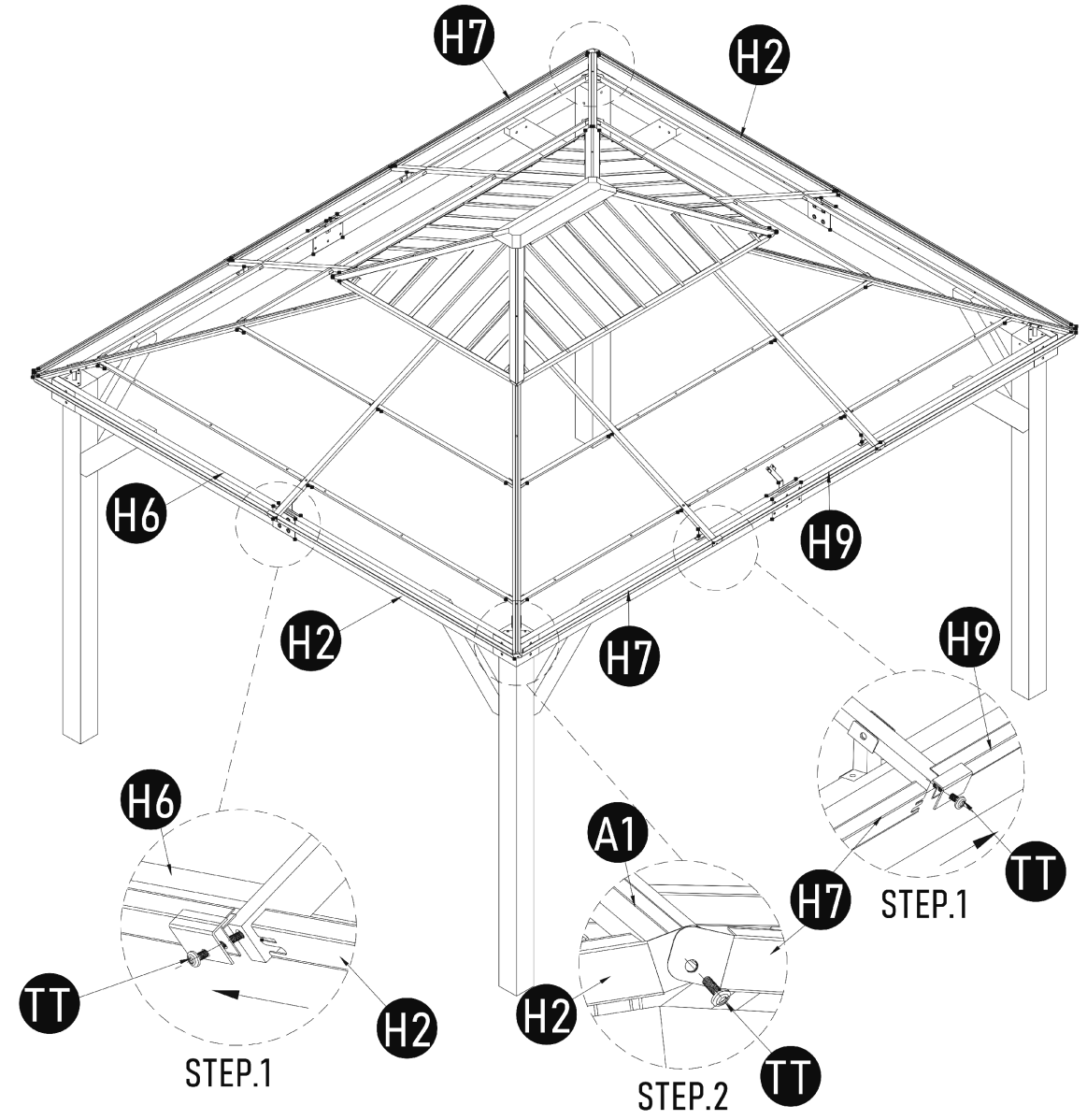
M6x15

TT x8

16

Assembly

28



H7 x2



H2 x2



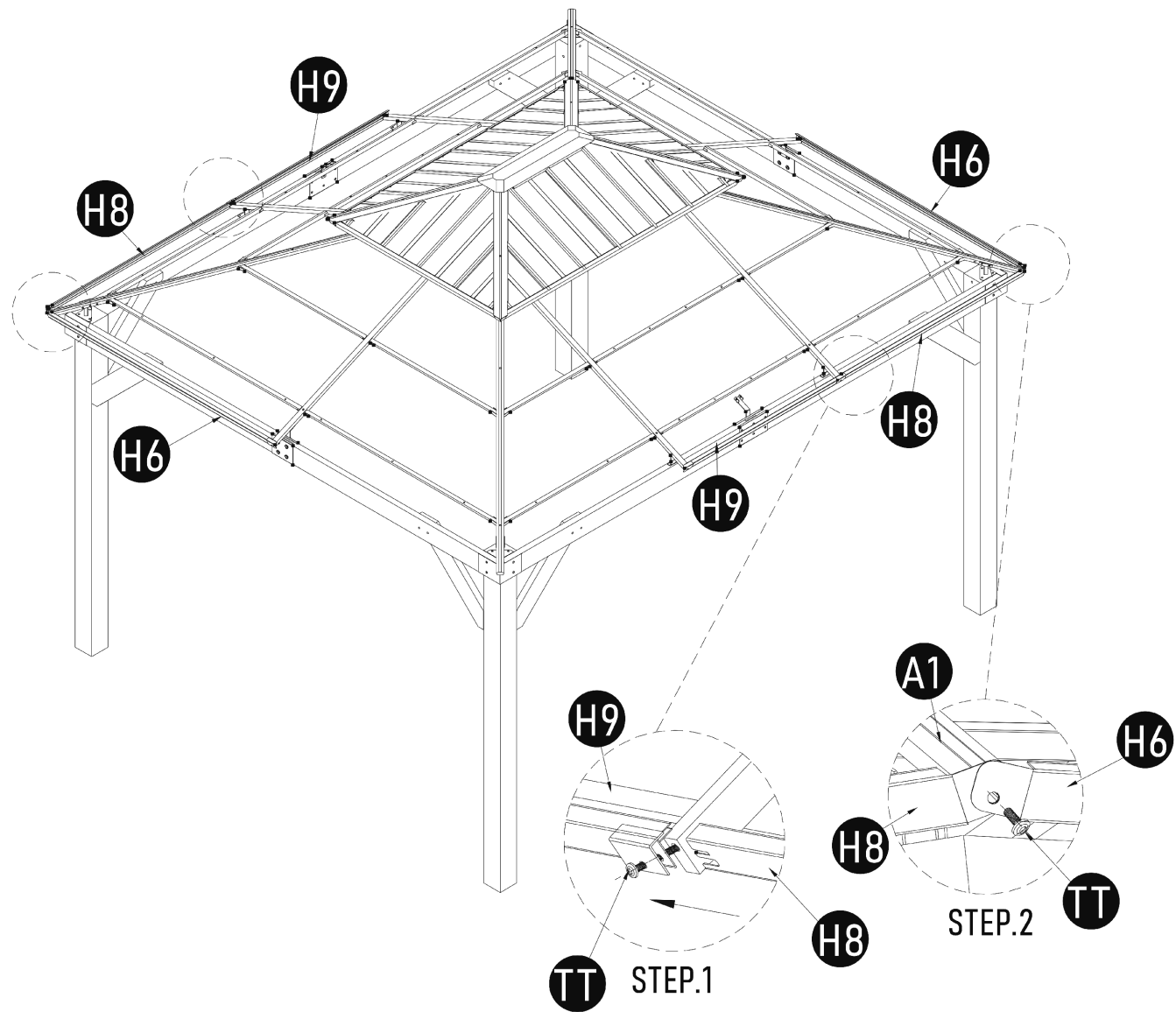
M6x15

TT x2

33

Assembly

27



H8 x2



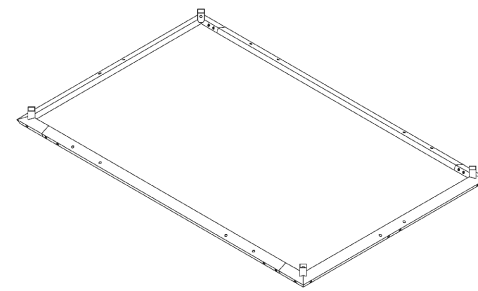
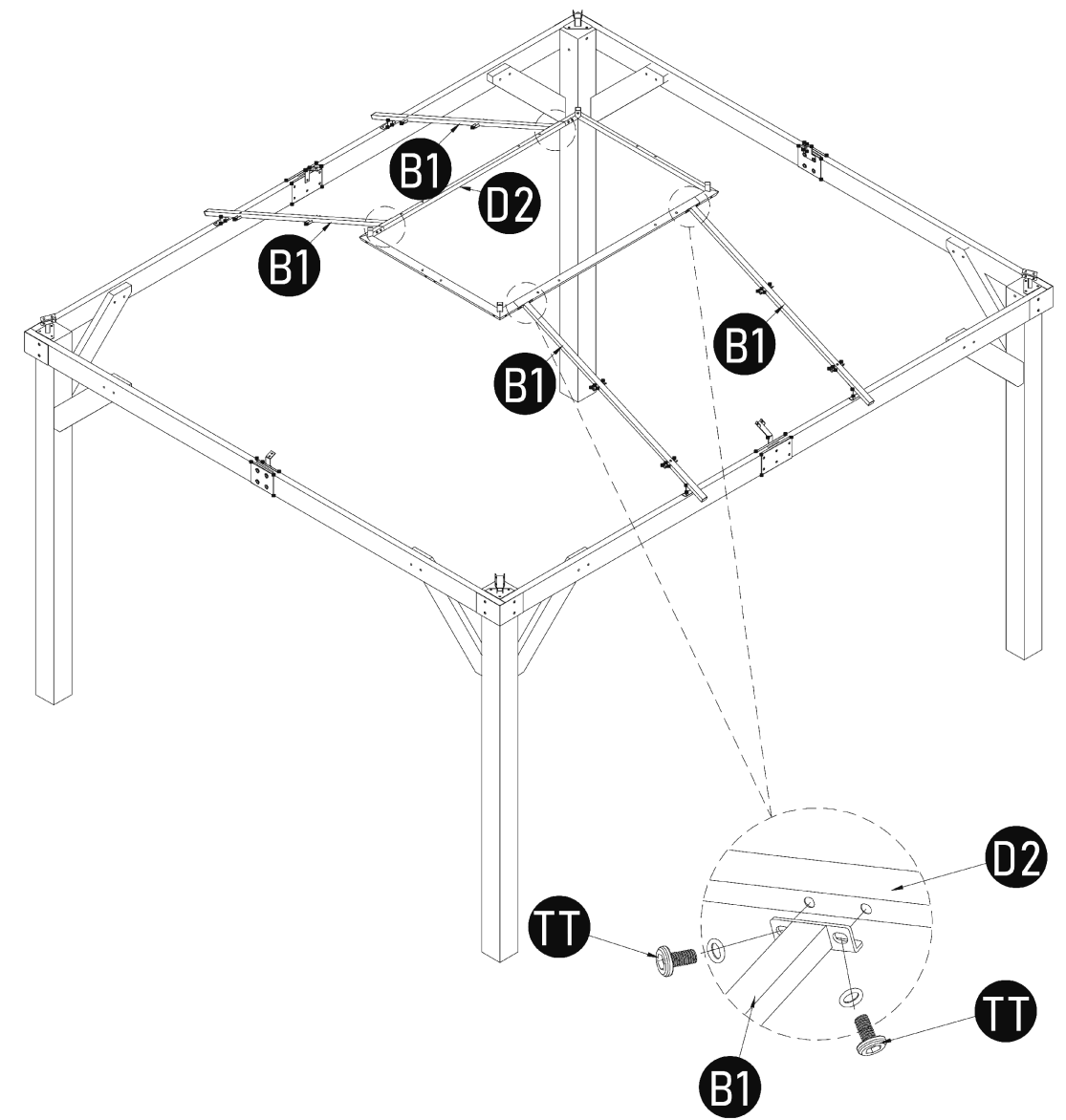
M6x15

TT x2

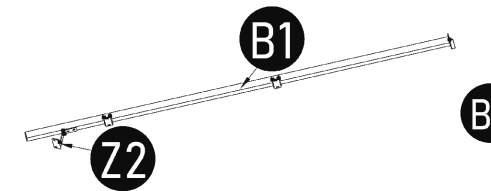
32

Assembly

12



x1



B1 x4

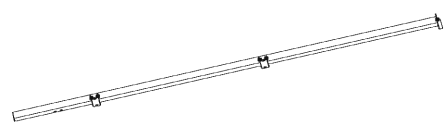
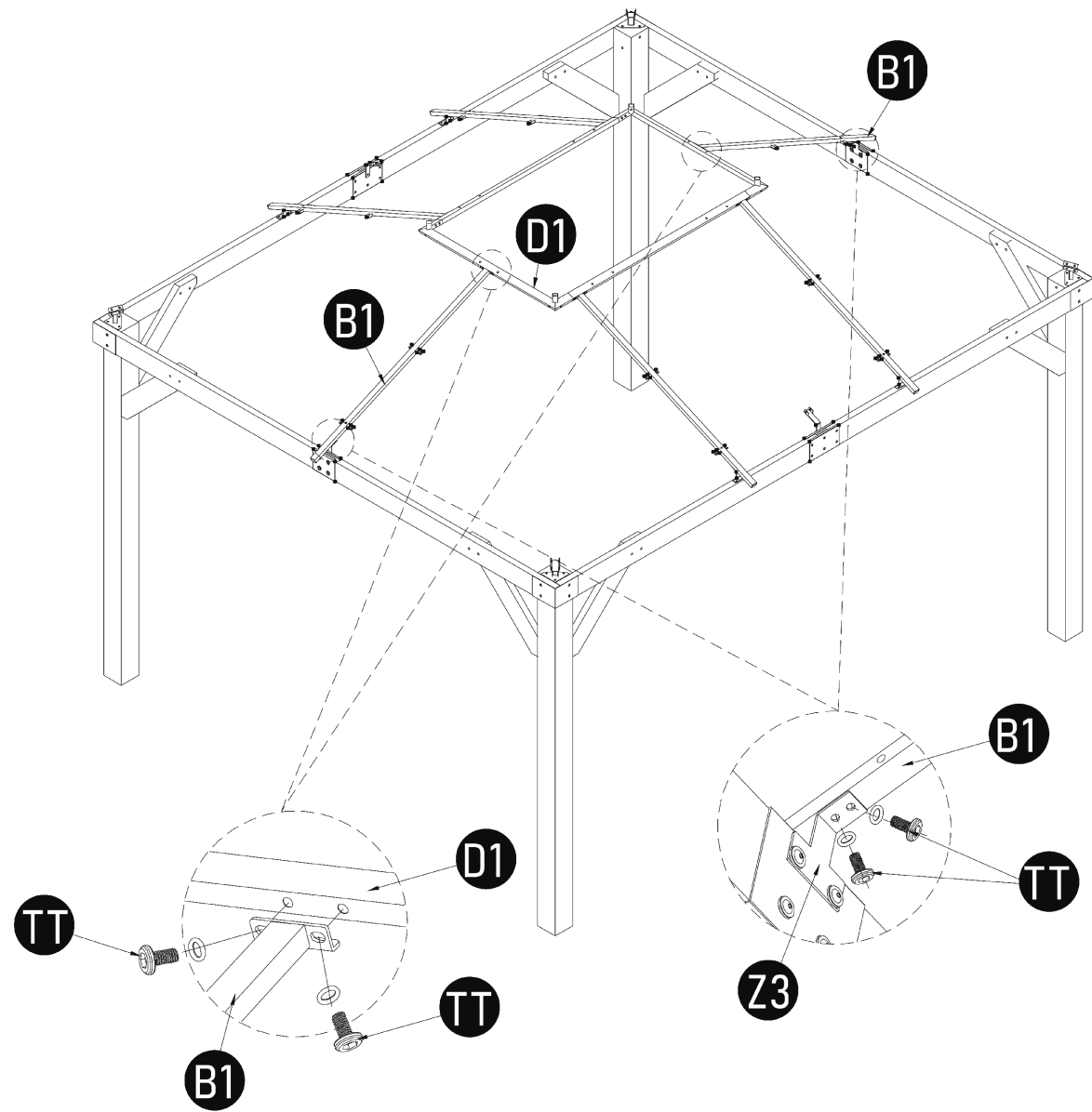
M6x15

TT x8

17

Assembly

13



B1 x2



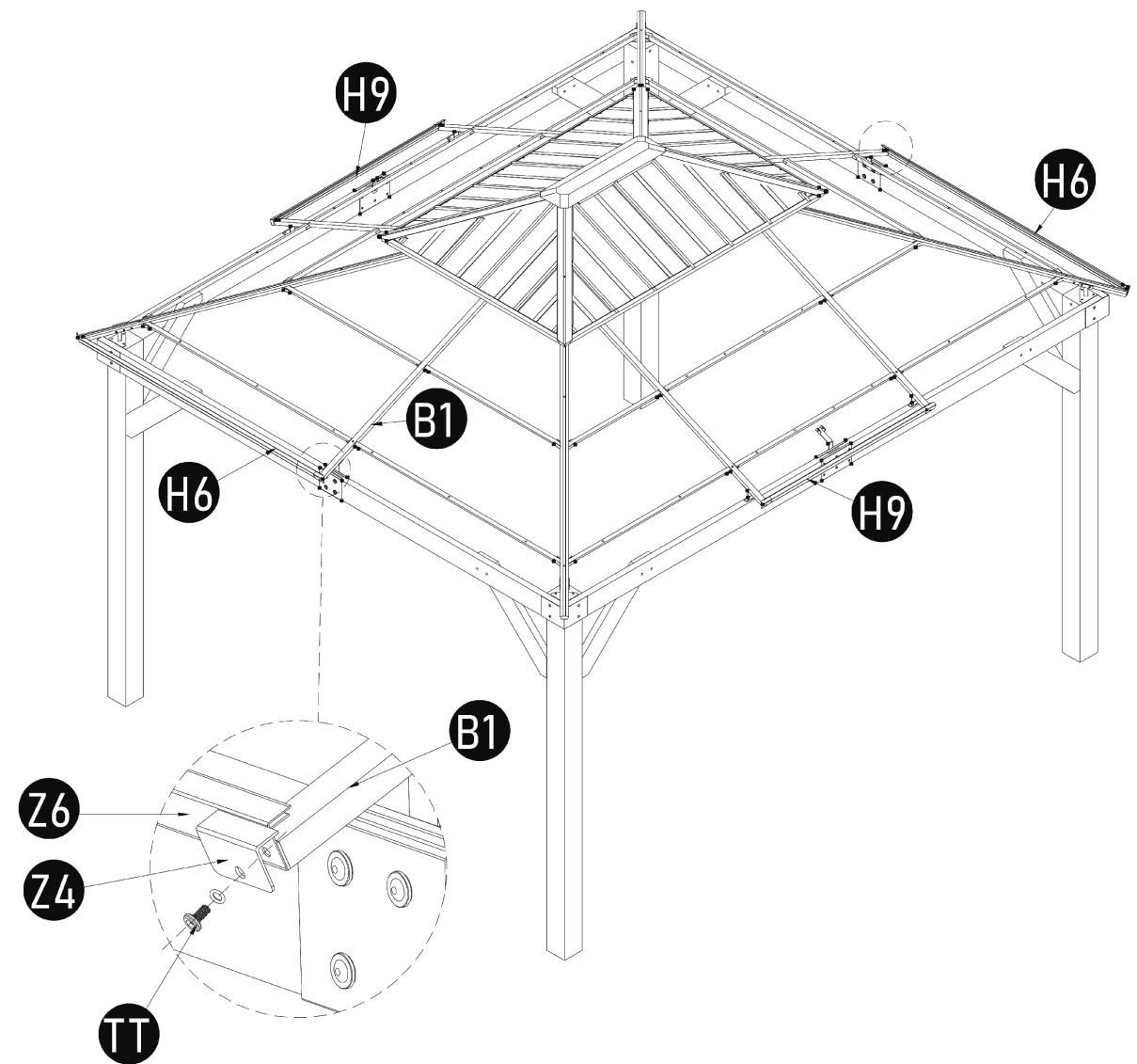
TT x8

M6x15

18

Assembly

26



H6 x2



Z4 x2



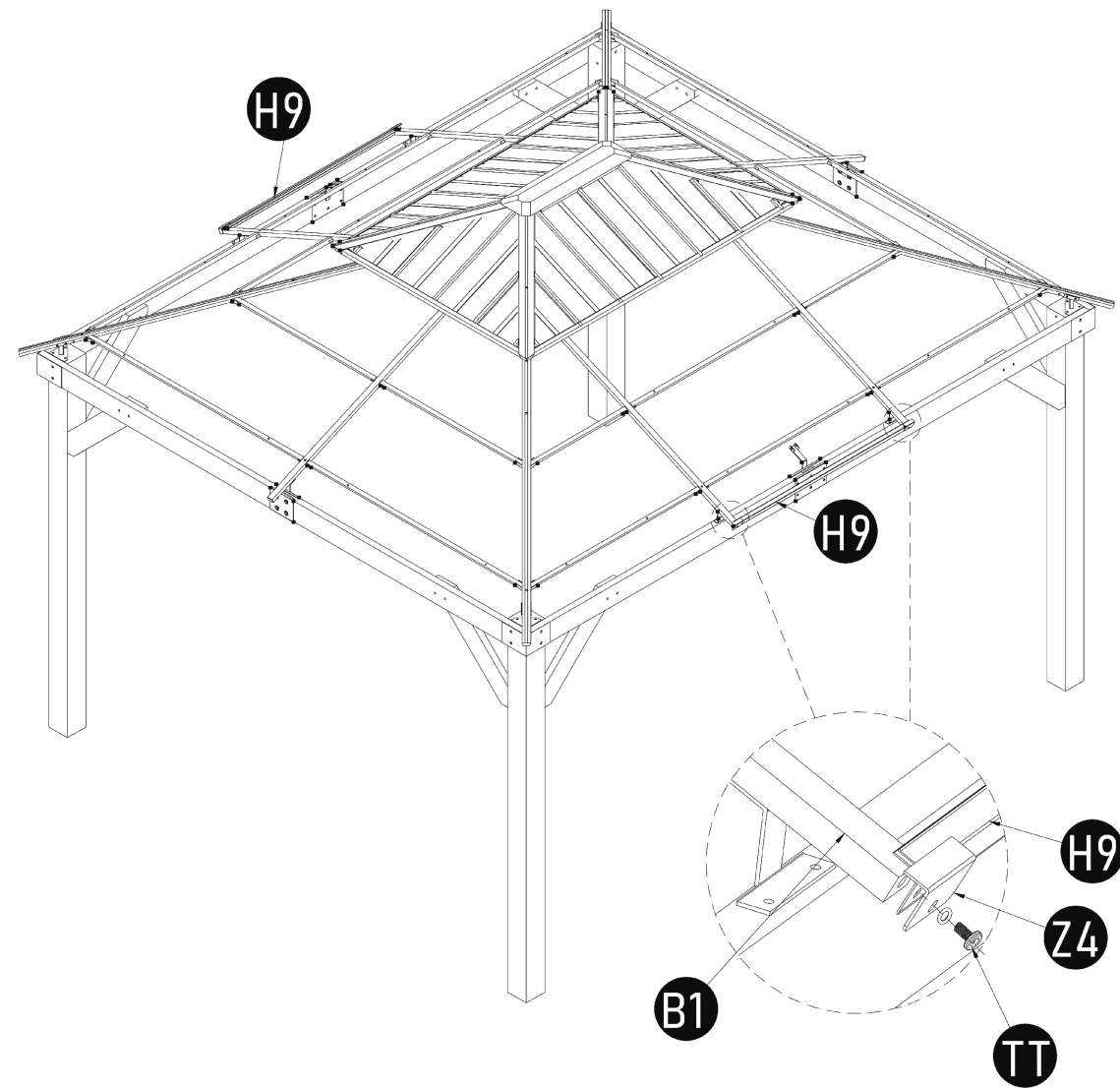
M6x15

TT x2

31

Assembly

25



H9 x2



Z4 x4



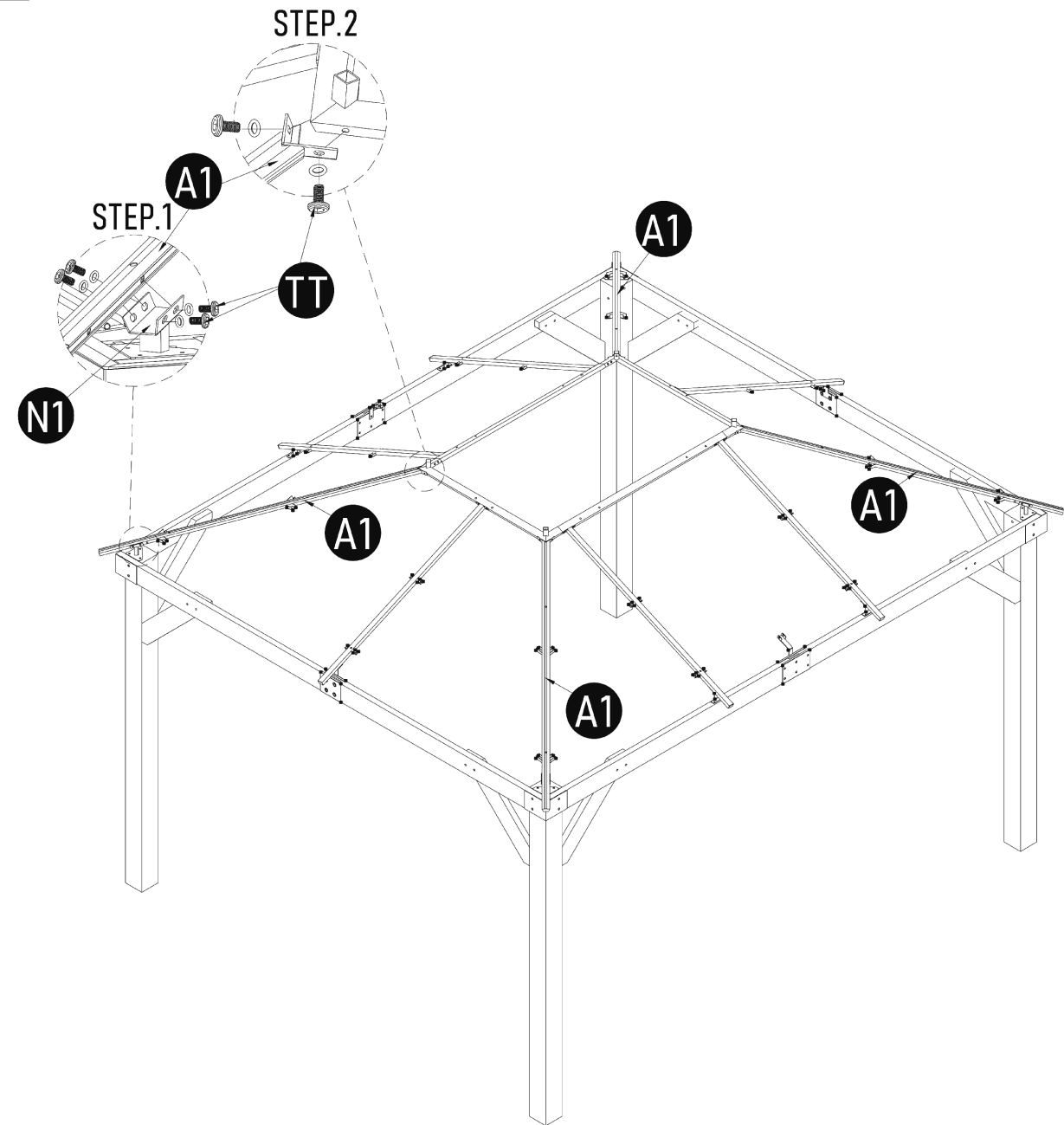
M6x15

TT x4

30

Assembly

14



A1 x4



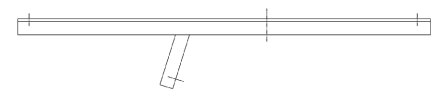
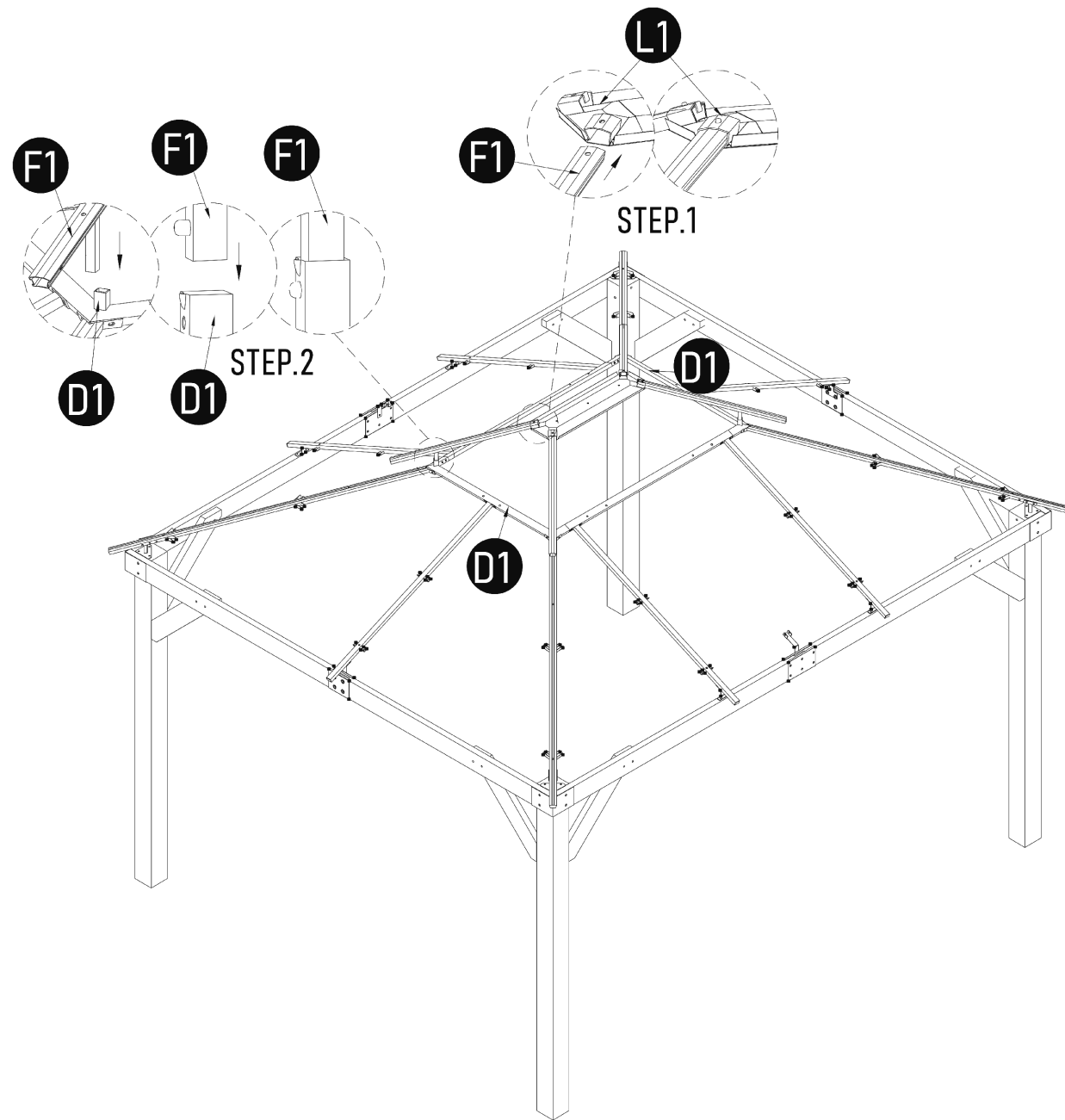
M6x15

TT x24

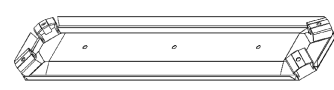
19

Assembly

15



F1 x4

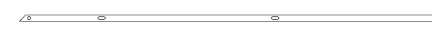
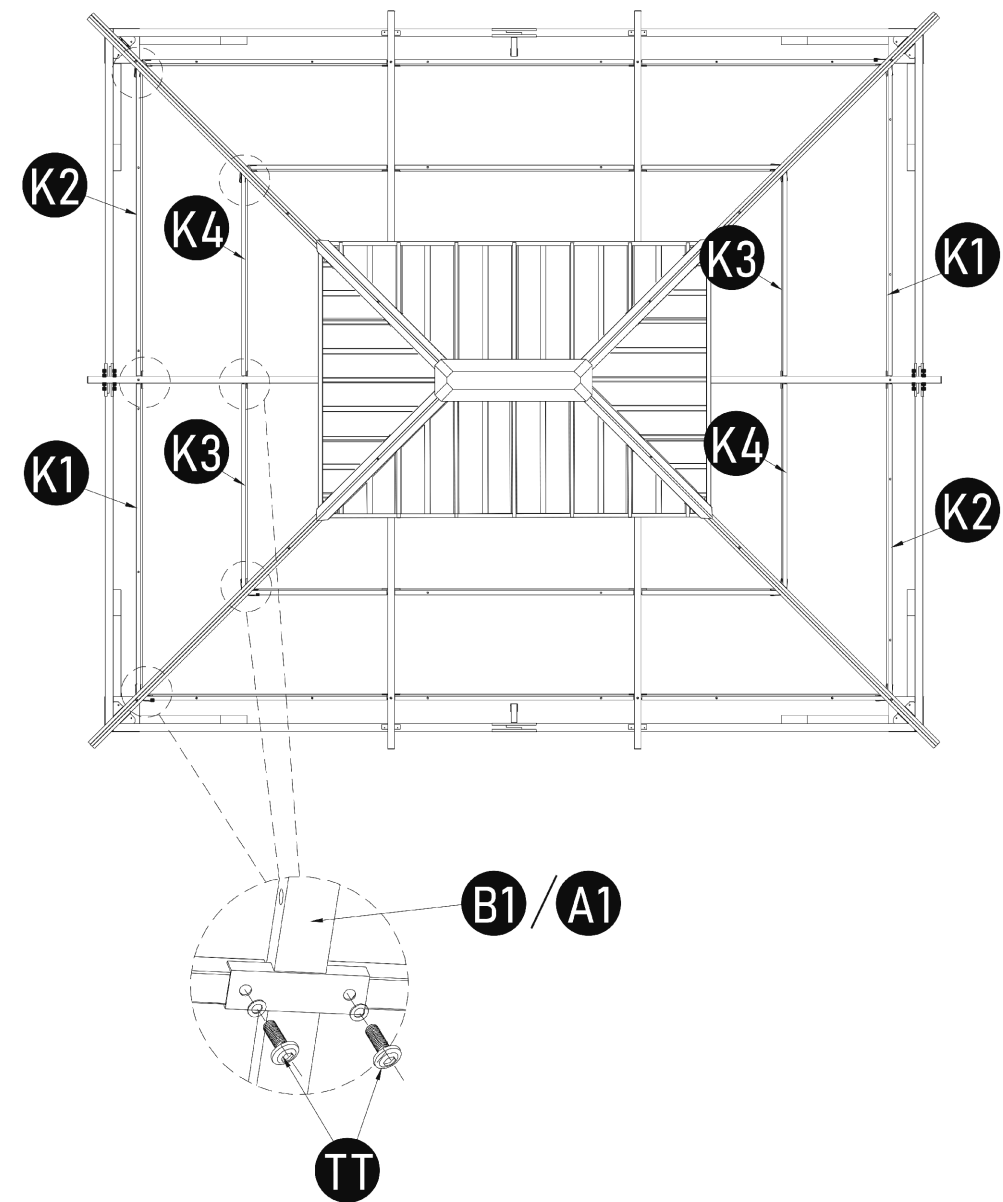


L1 x1

20

Assembly

24



K1 x2



K2 x2



K3 x2



K4 x2

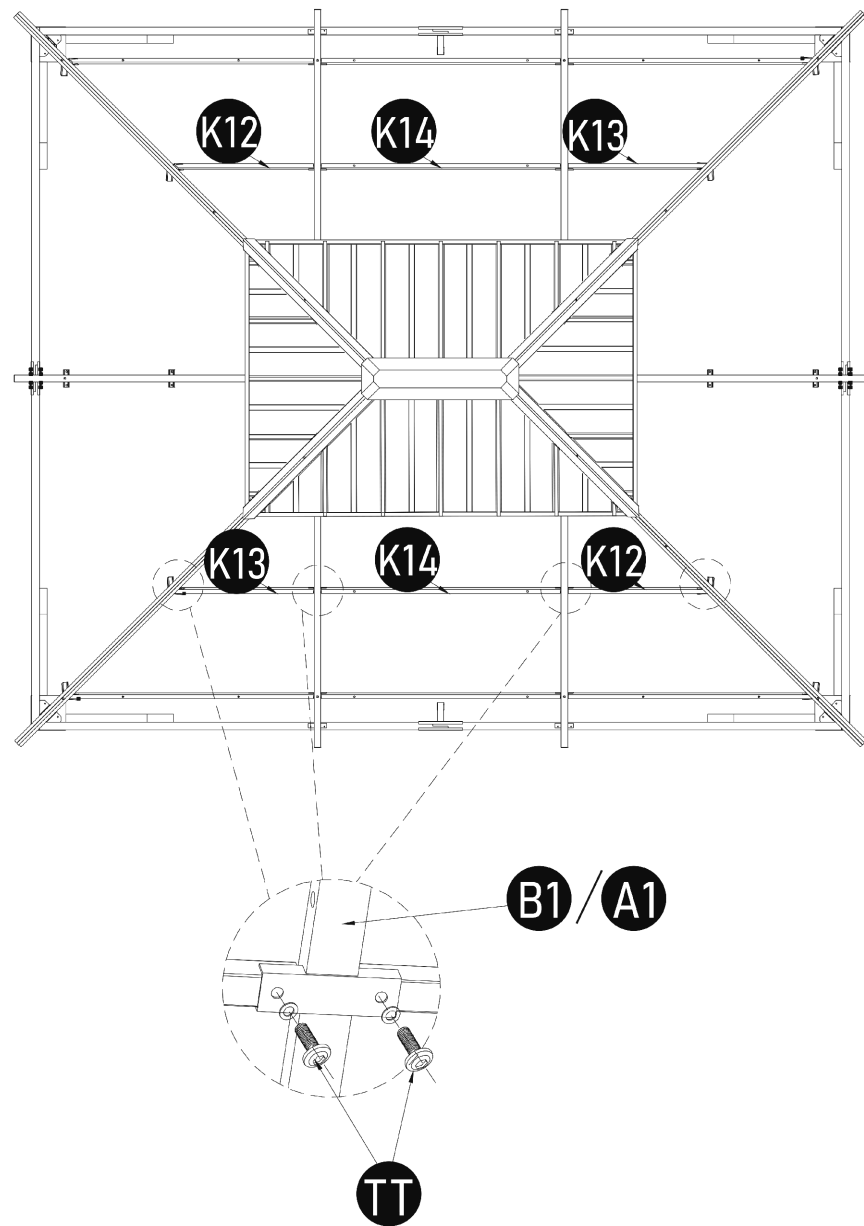
M6x15

TT x16

29

Assembly

23



K12 x2

K13 x2

K14 x2

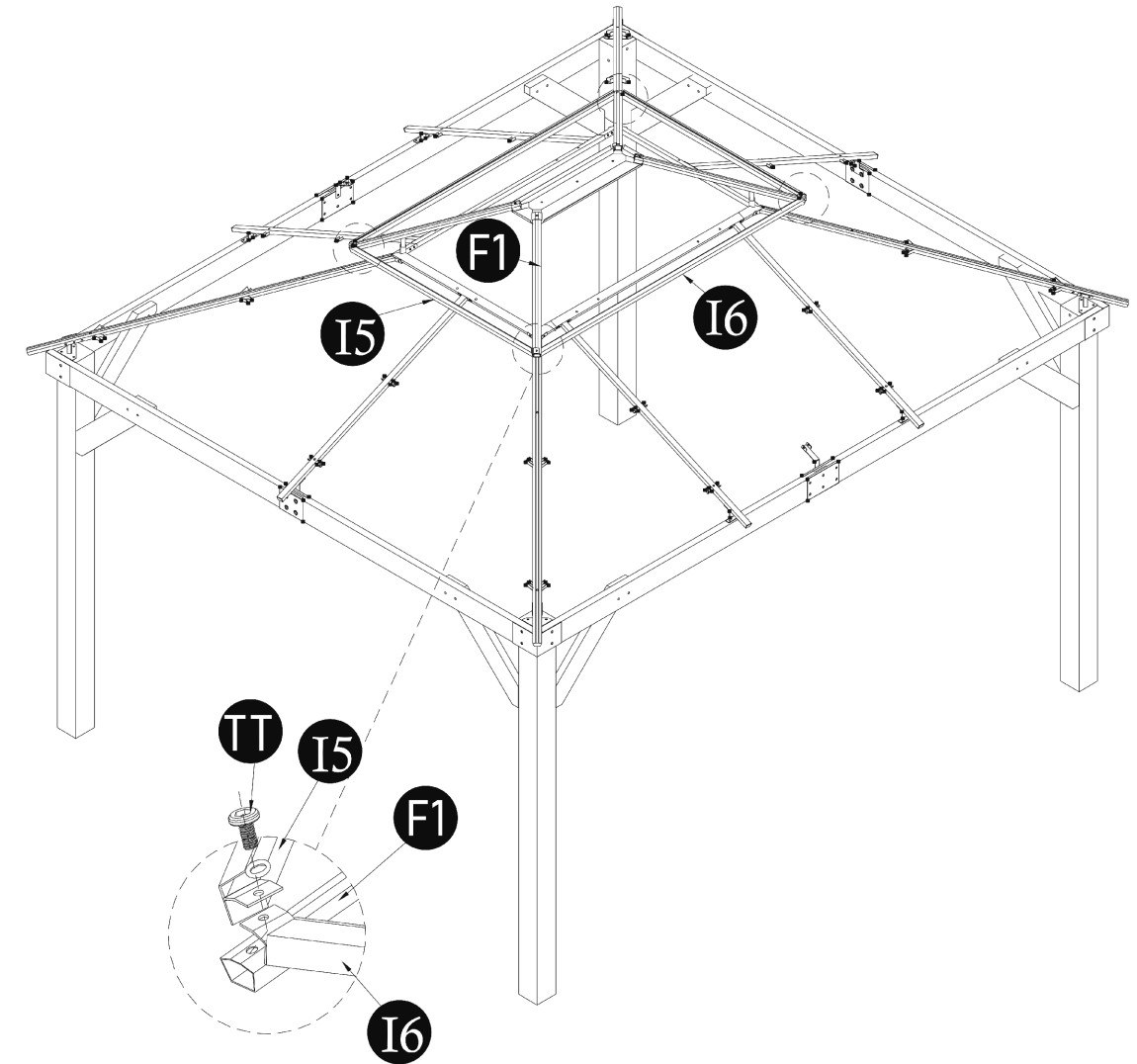
M6x15

TT x12

28

Assembly

16



I5 x2

M6x15

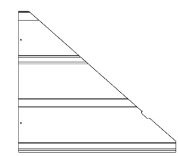
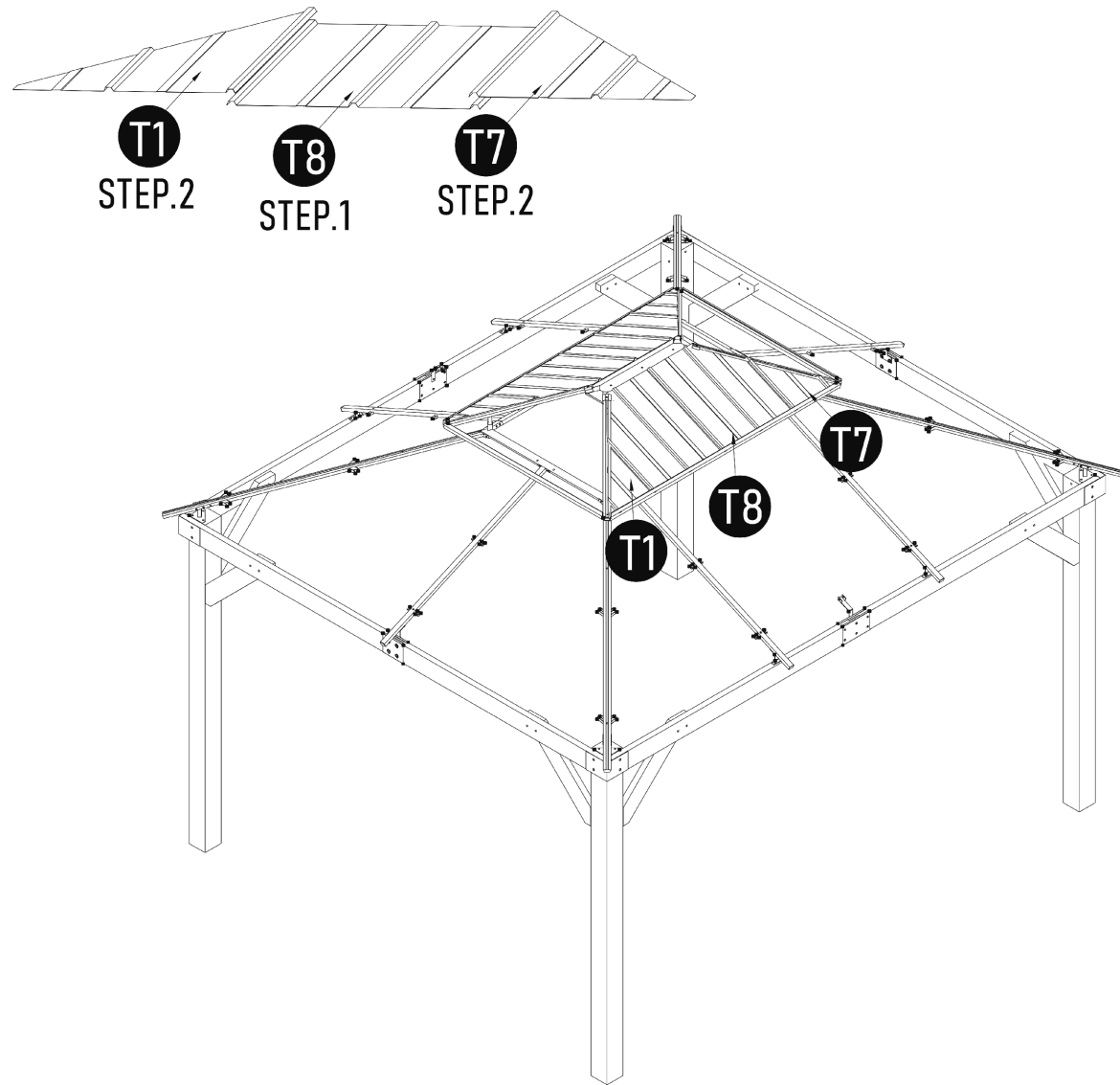
I6 x2

TT x4

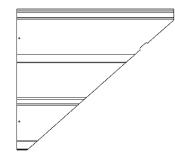
21

Assembly

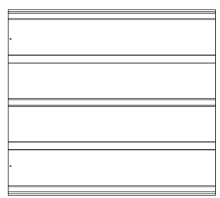
17



T1 x2



T7 x2

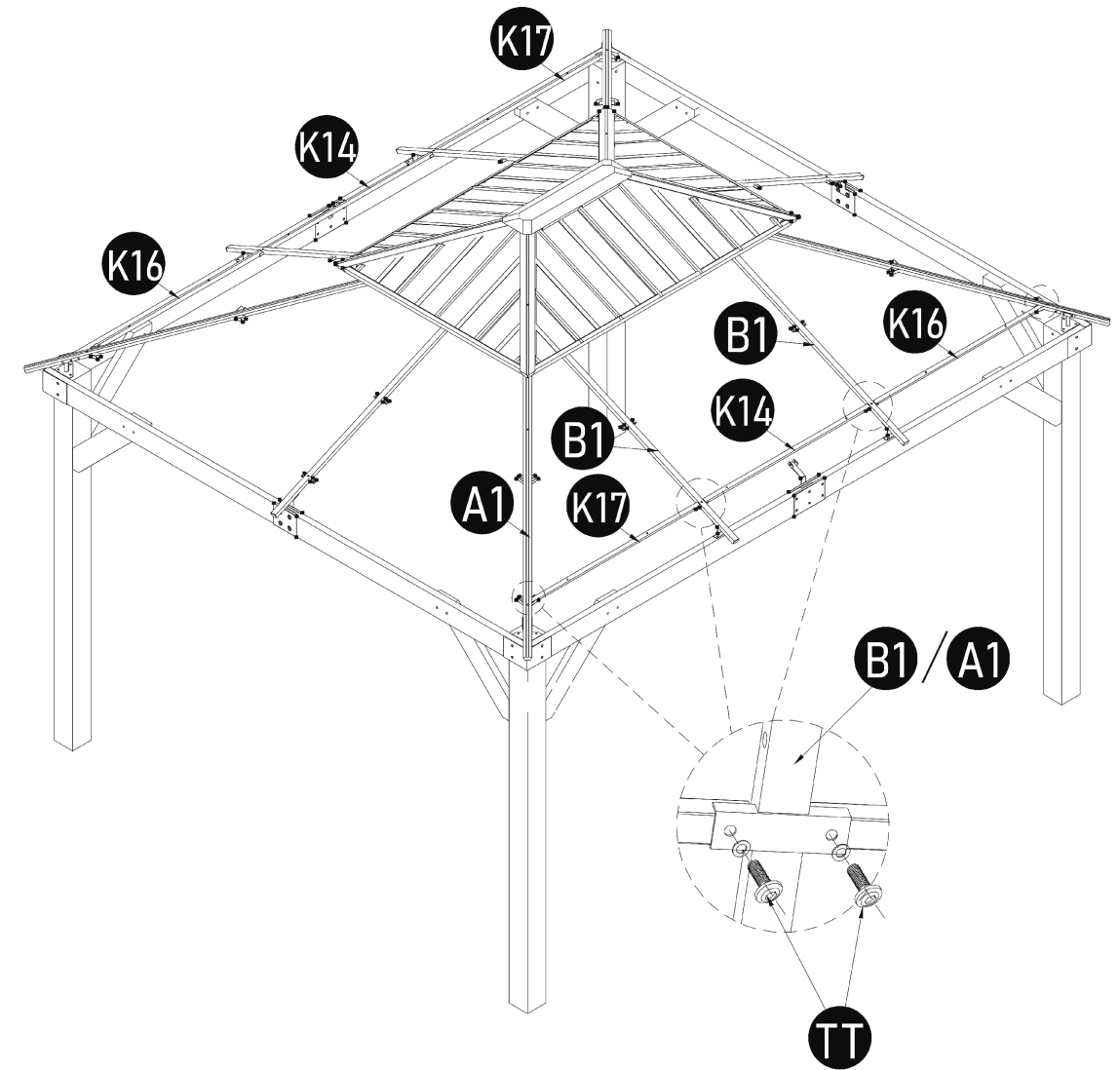


T8 x2

22

Assembly

22



K16 x2



K17 x2



K14 x2

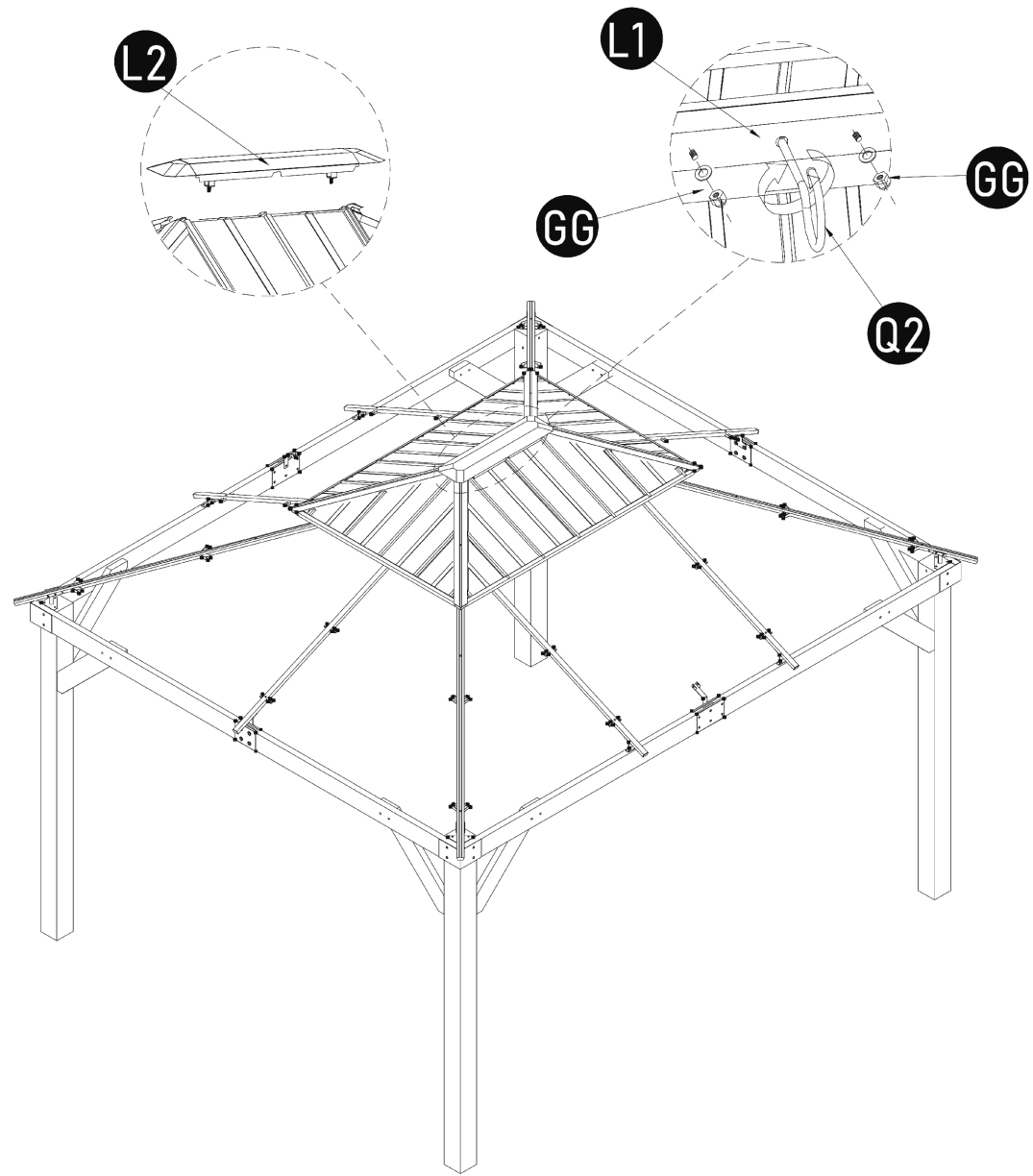
M6x15

TT x12

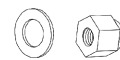
27

Assembly

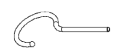
21



L2 x1



GG x2

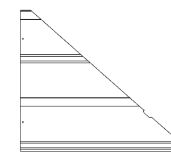
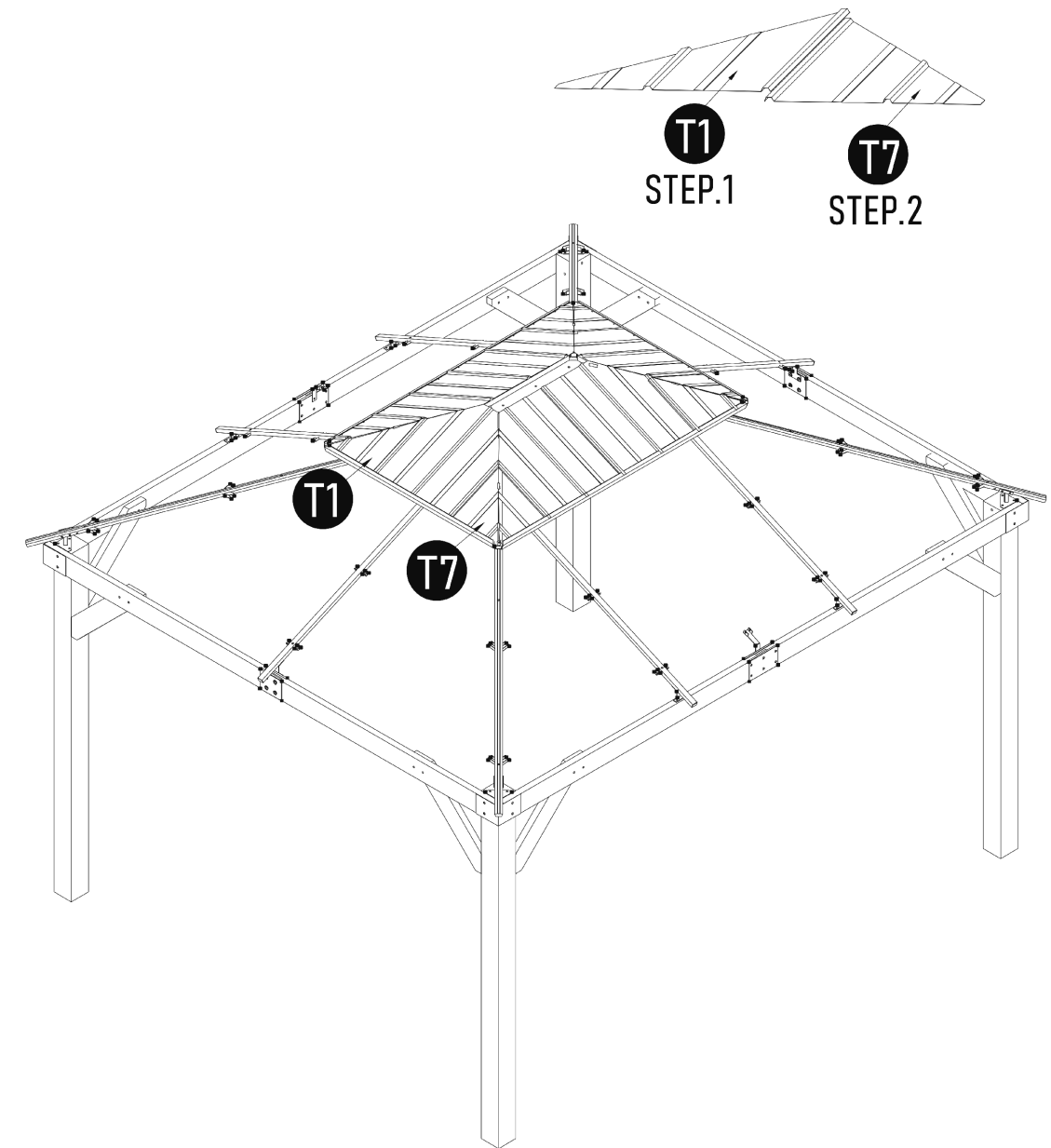


Q2 x1

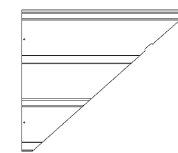
26

Assembly

18



T1 x2

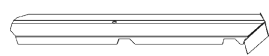
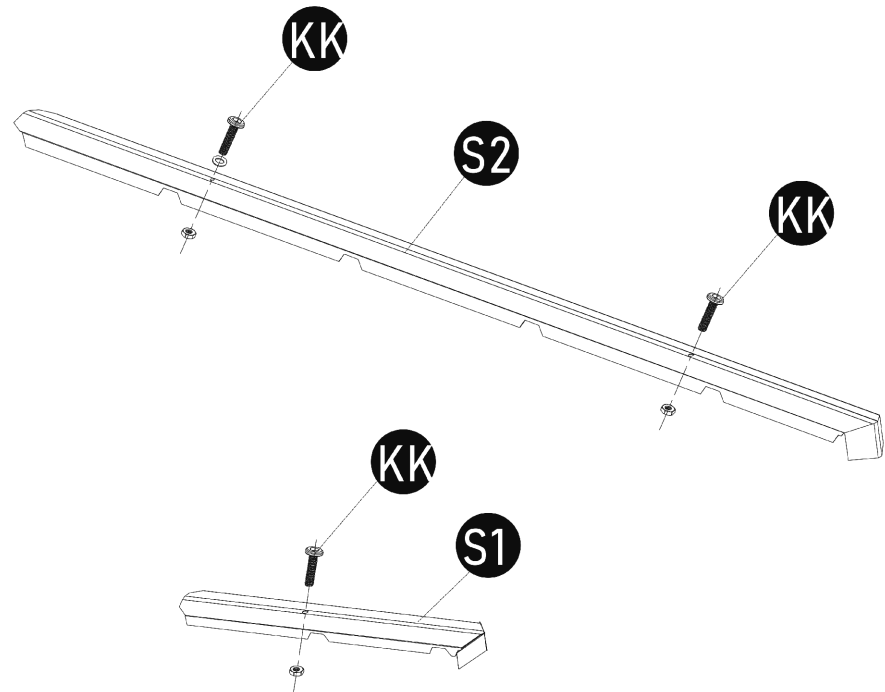


T7 x2

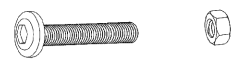
23

Assembly

19



S1 x4



KK x12 M6x55

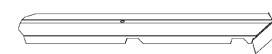
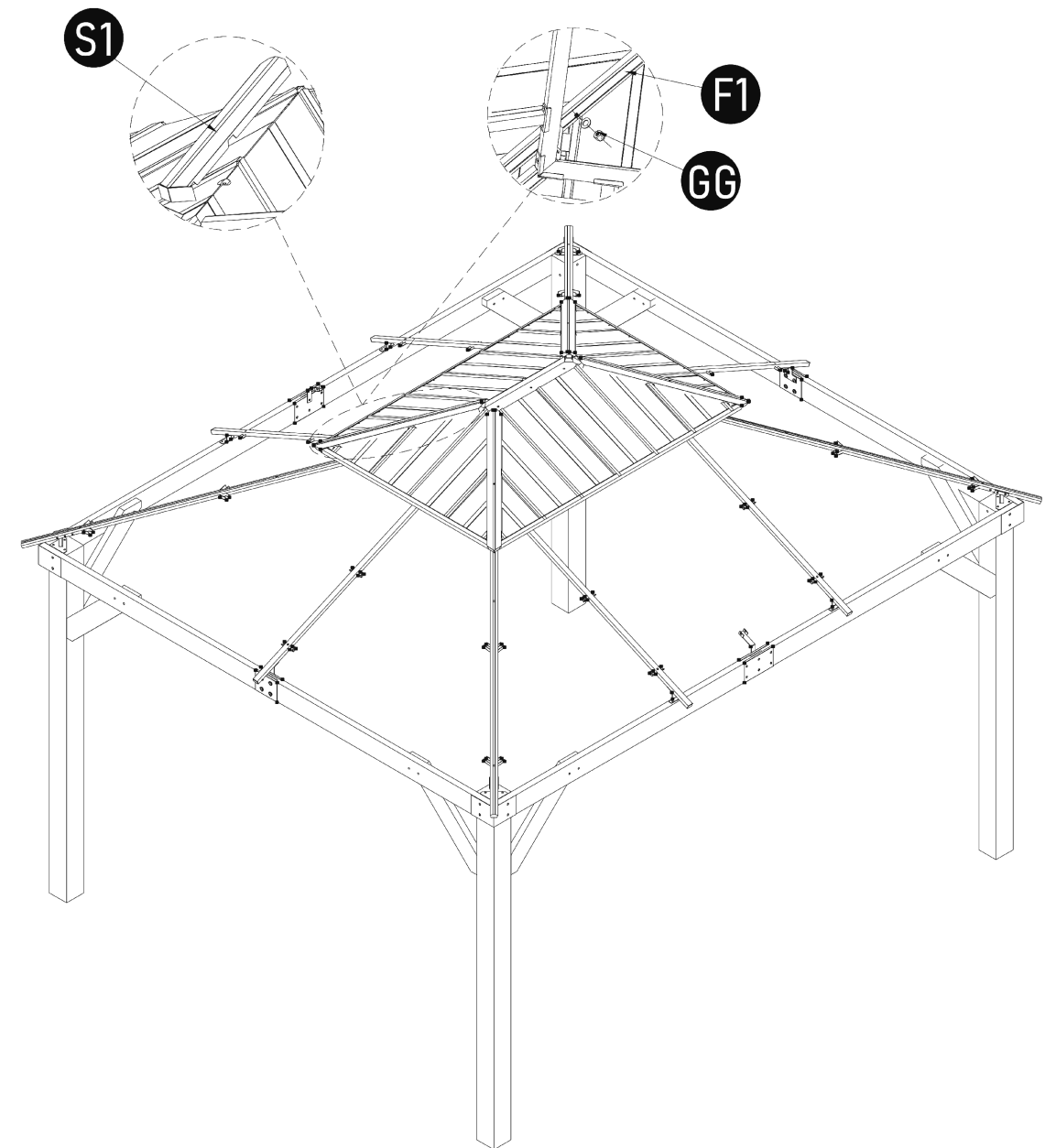


S2 x4

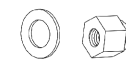
24

Assembly

20



S1 x4



GG x4

25