

FR

NOTICE DE
MONTAGE

EN

ASSEMBLY
INSTRUCTIONS

DE

MONTAGEANLEITUNG

ES

INSTRUCCIONES
DE MONTAJE

NL

MONTAGEVOORSCHRIFT

IT

ISTRUZIONI DI
MONTAGGIO

PT

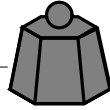
INSTRUÇÕES
DE MONTAGEM

CR

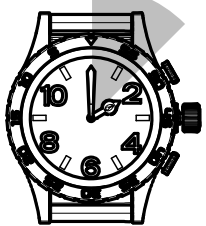
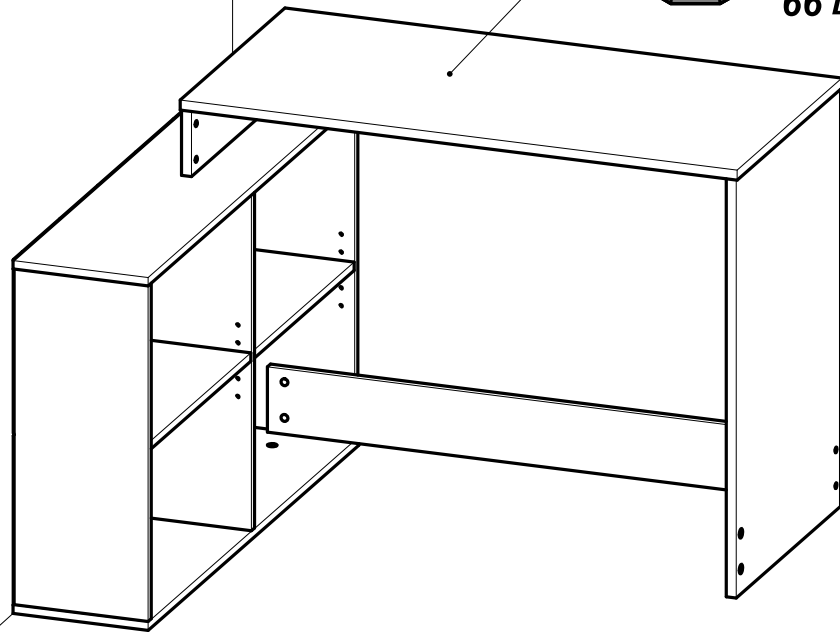
NAPUTCI ZA
MONTAŽU

تعليمات التركيب (ع)

A



Max
30 Kg
66 Lbs

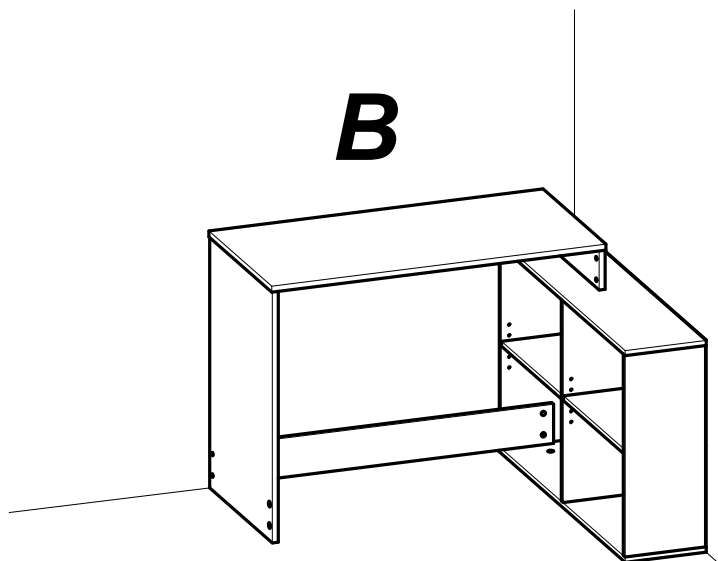


1h30.



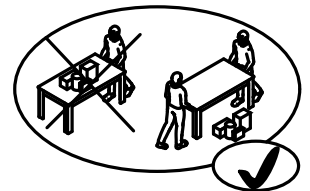
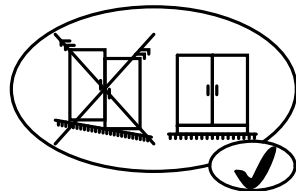
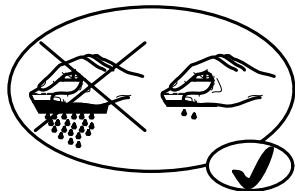
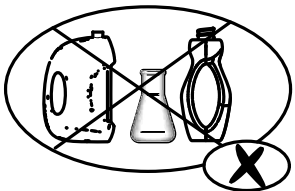
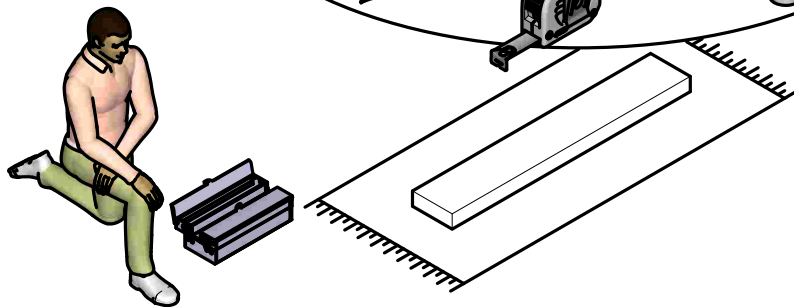
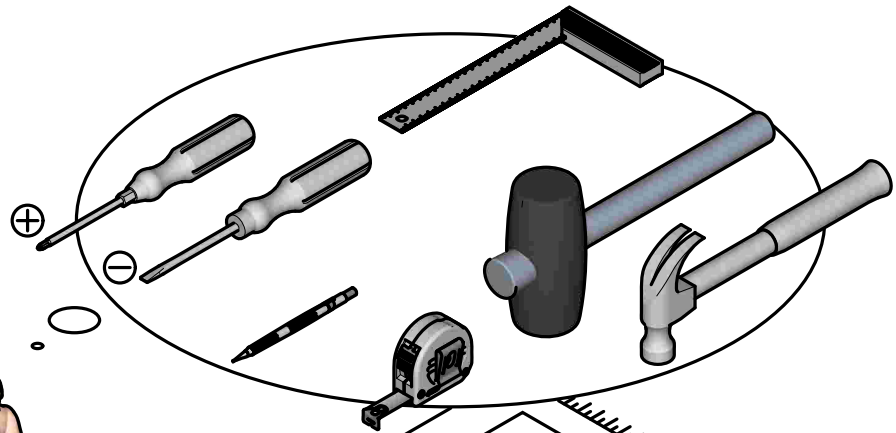
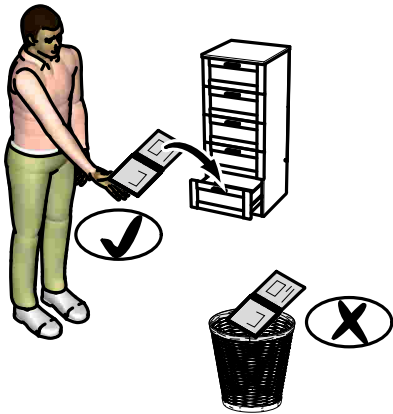
x2

B



Fabriqu  en France
Made in France

??

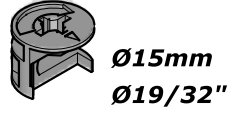




T x14



U x14



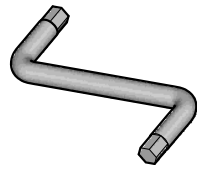
C x2



D x4



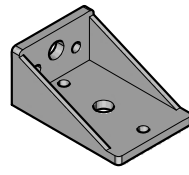
E x1



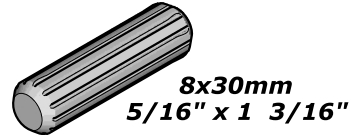
F x4



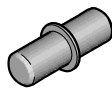
G x1



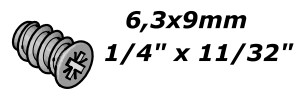
H x4



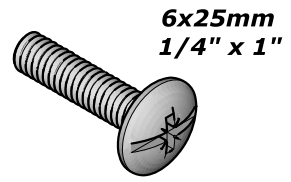
I x8



J x2



K x2



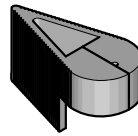
L x2



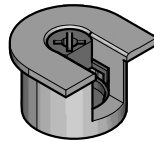
M x6



N x1



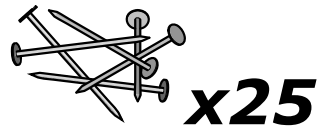
O x2



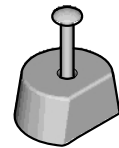
P x4



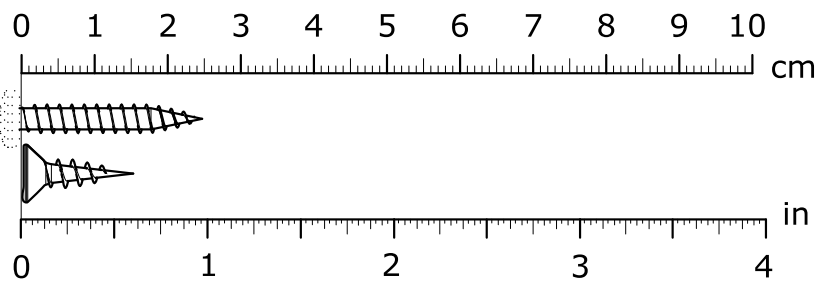
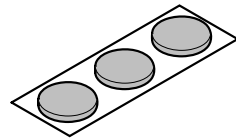
Q x2

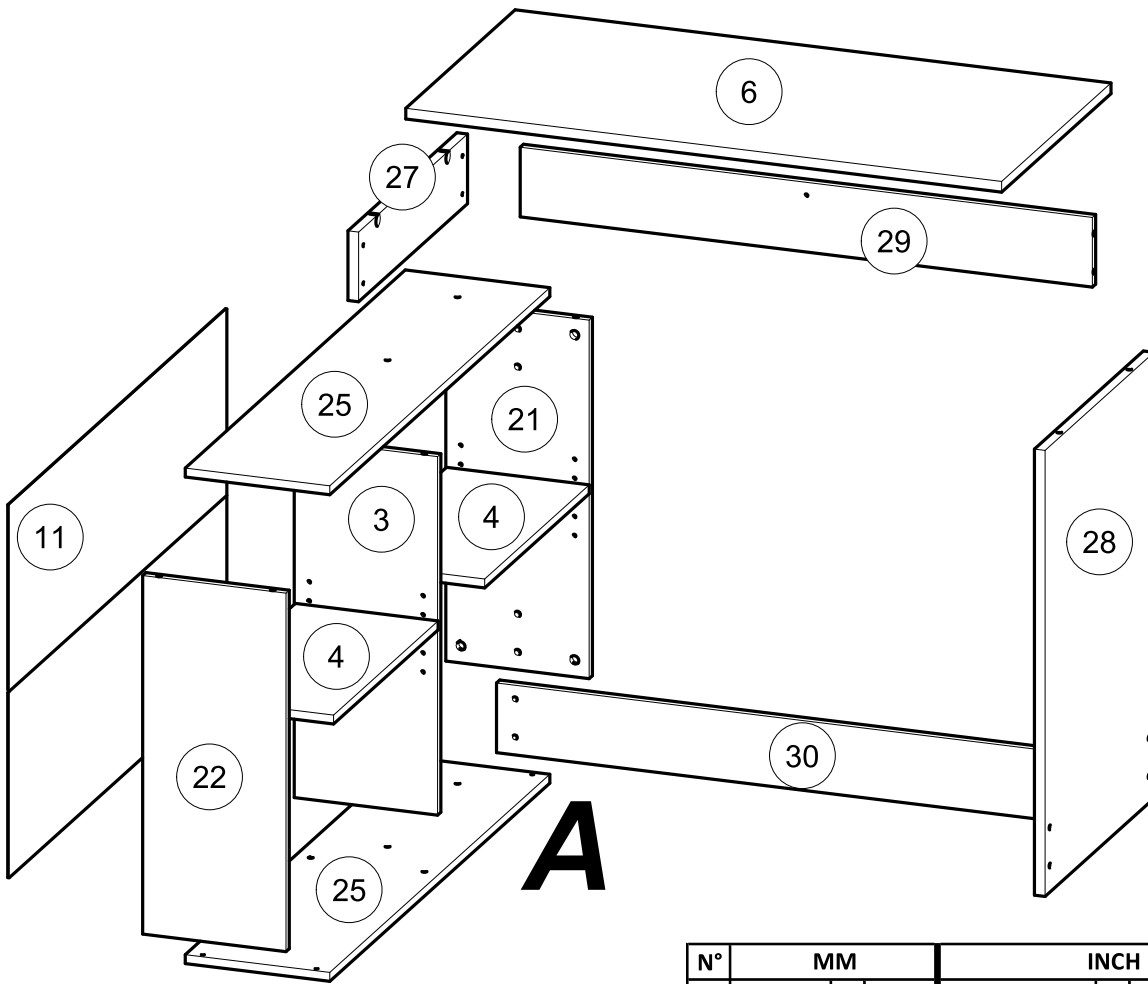


R x2

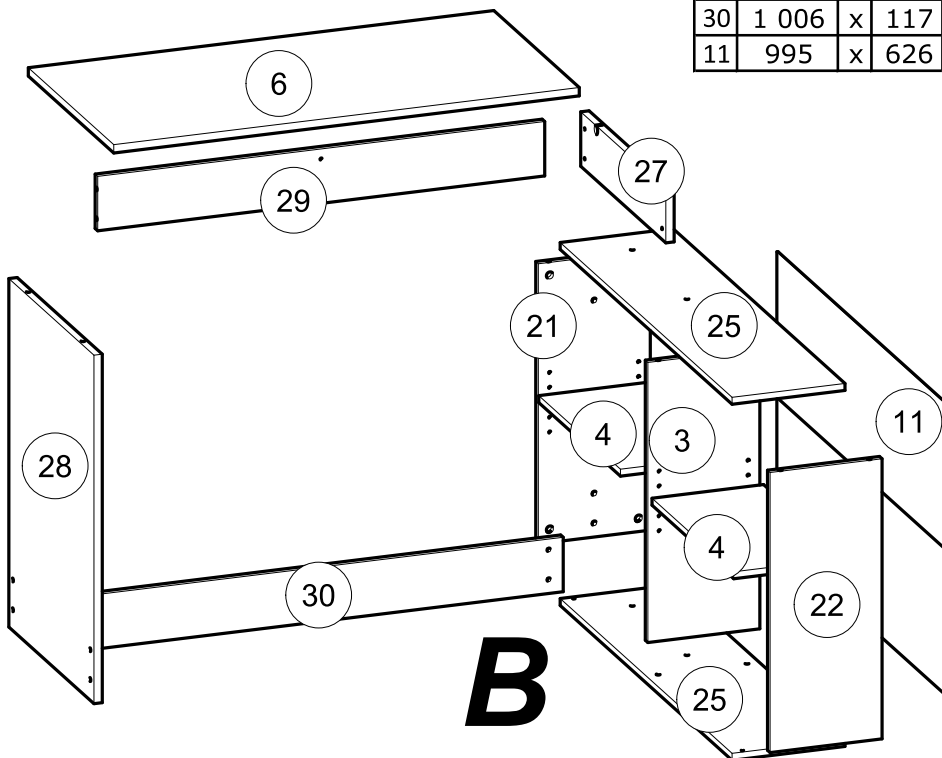


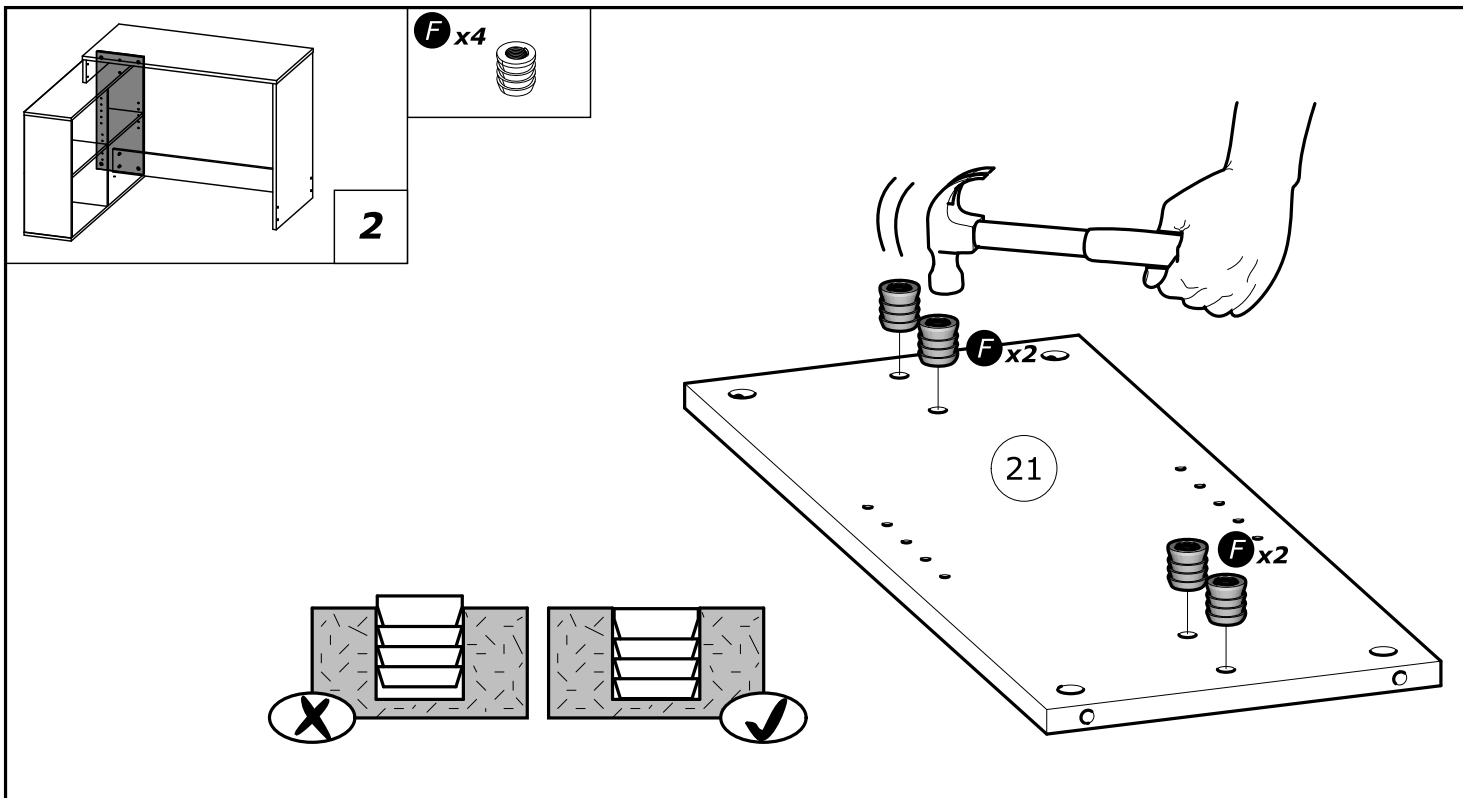
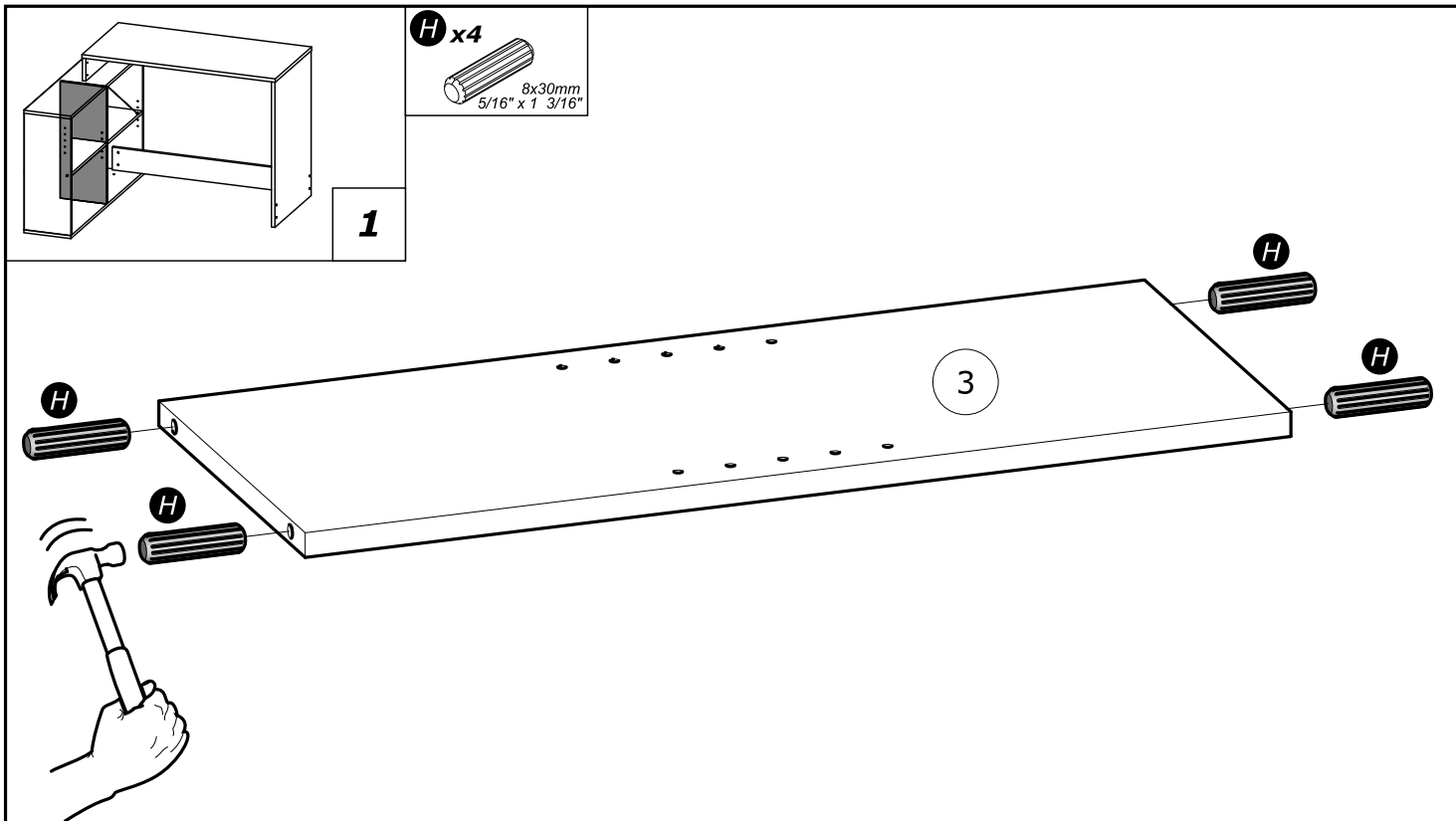
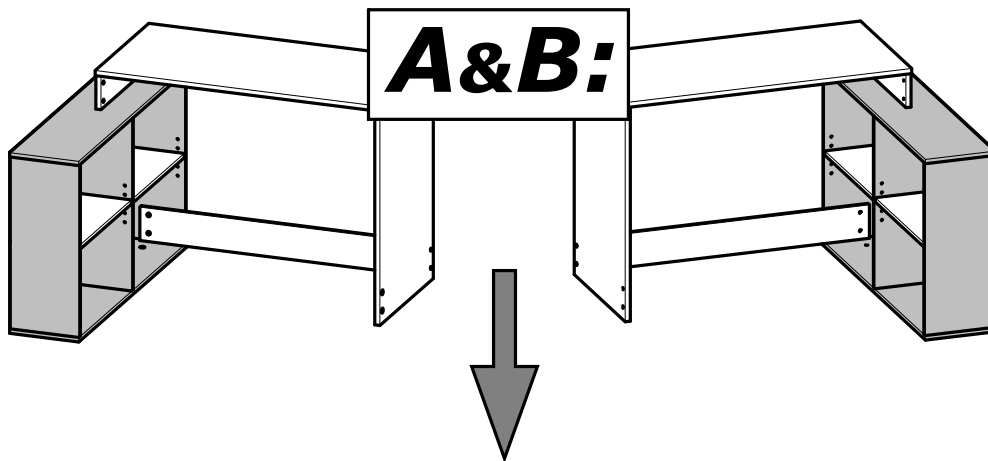
S x3

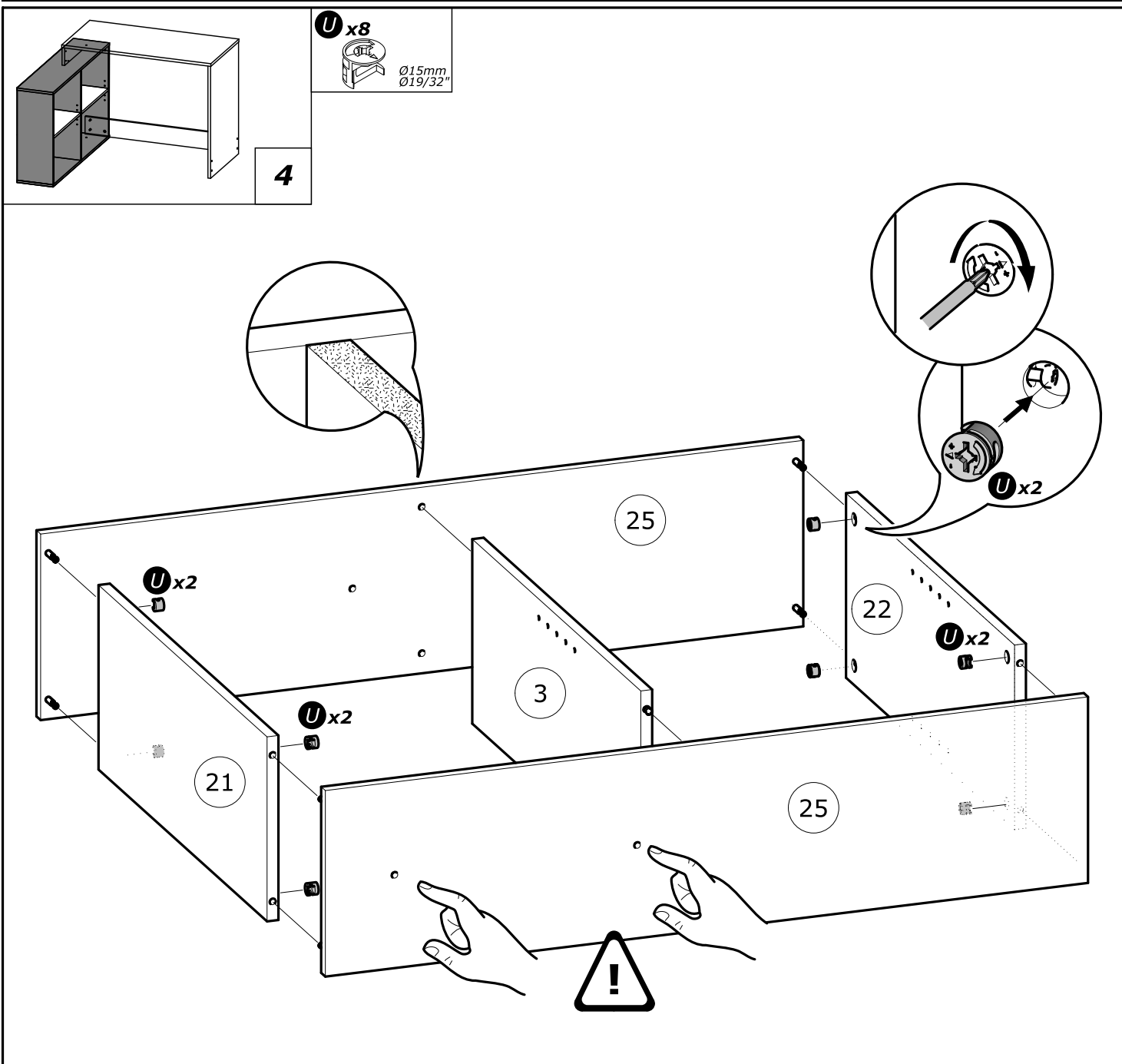
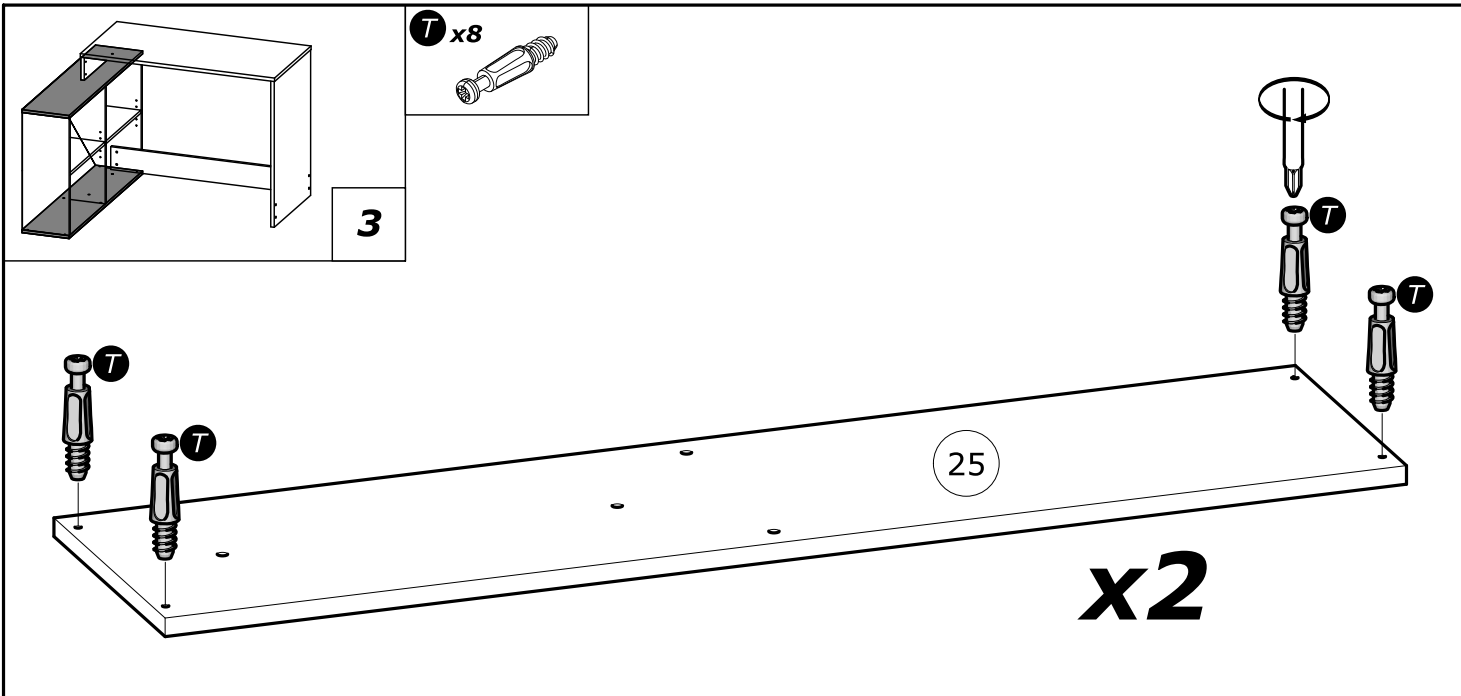


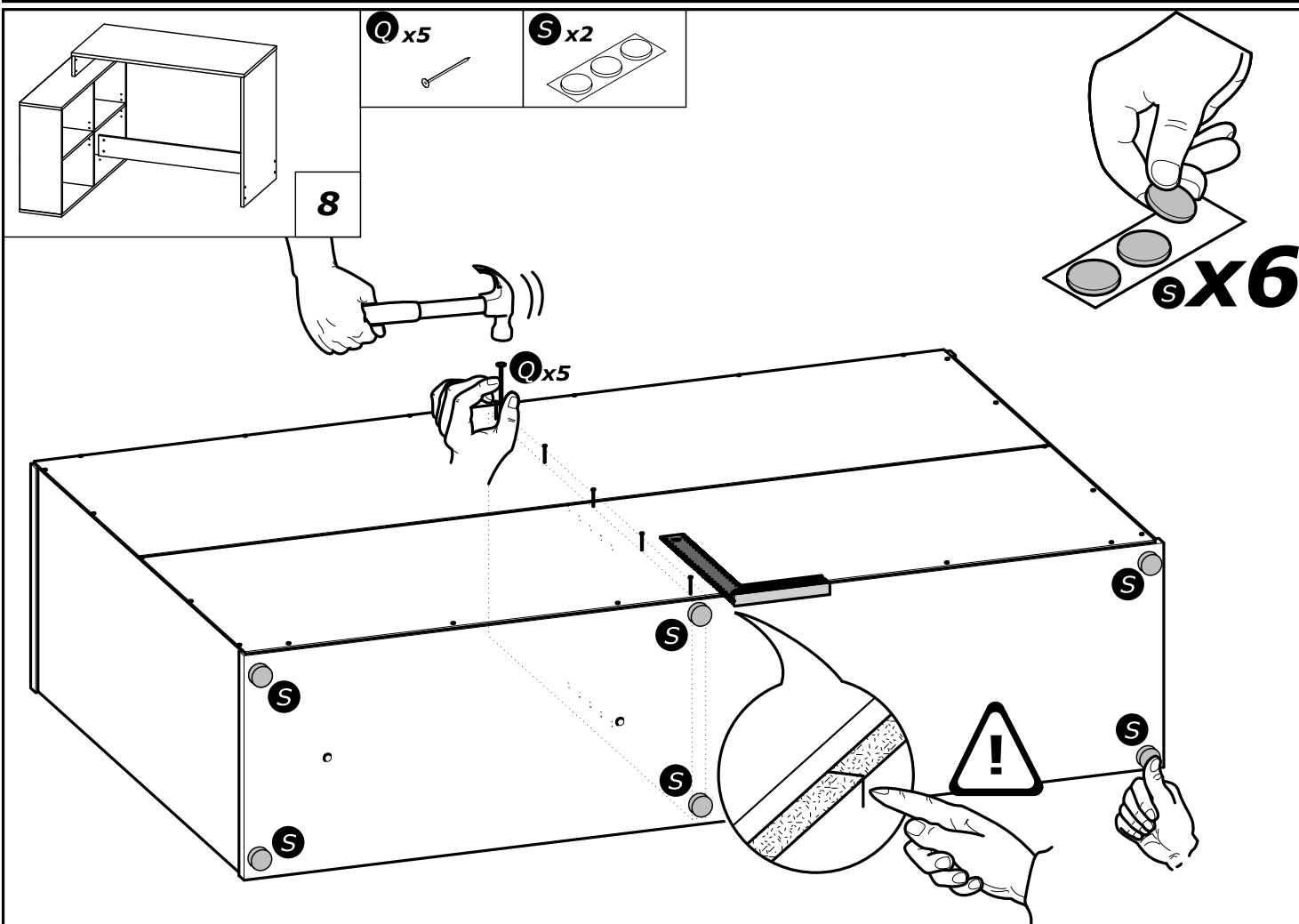
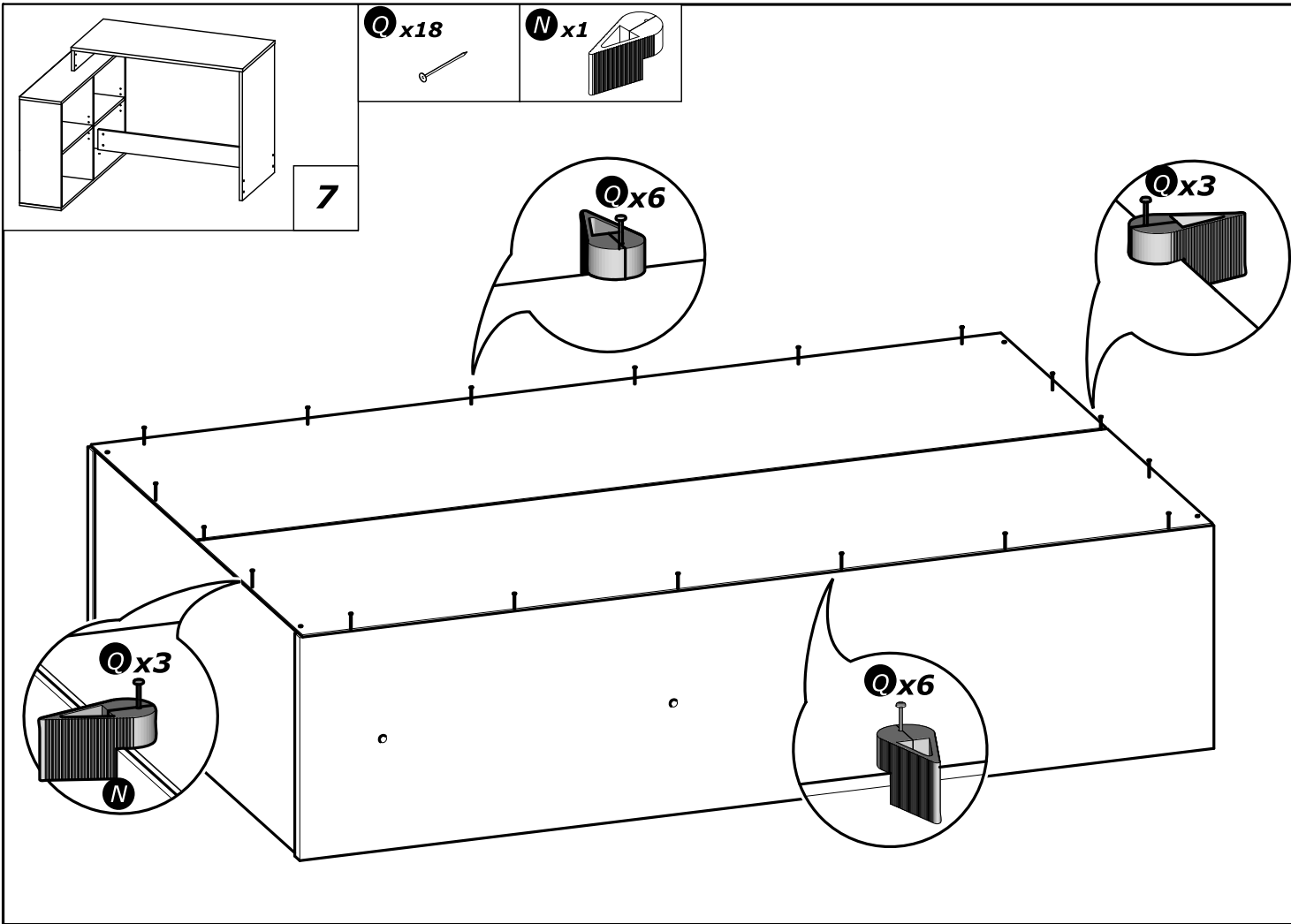


N°	MM		INCH		QTY
21	602	x 242	23 11/16	x 9 8/16	1
22	602	x 242	23 11/16	x 9 8/16	1
3	602	x 242	23 11/16	x 9 8/16	1
4	478	x 241	18 13/16	x 9 8/16	2
25	1 006	x 244	39 10/16	x 9 10/16	2
6	1 006	x 500	39 10/16	x 19 11/16	1
27	498	x 117	19 10/16	x 4 10/16	1
28	749	x 498	29 8/16	x 19 10/16	1
29	966	x 117	38 1/16	x 4 10/16	1
30	1 006	x 117	39 10/16	x 4 10/16	1
11	995	x 626	39 3/16	x 24 10/16	1

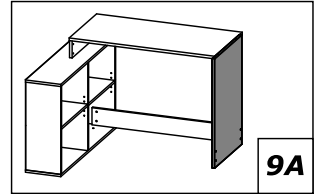
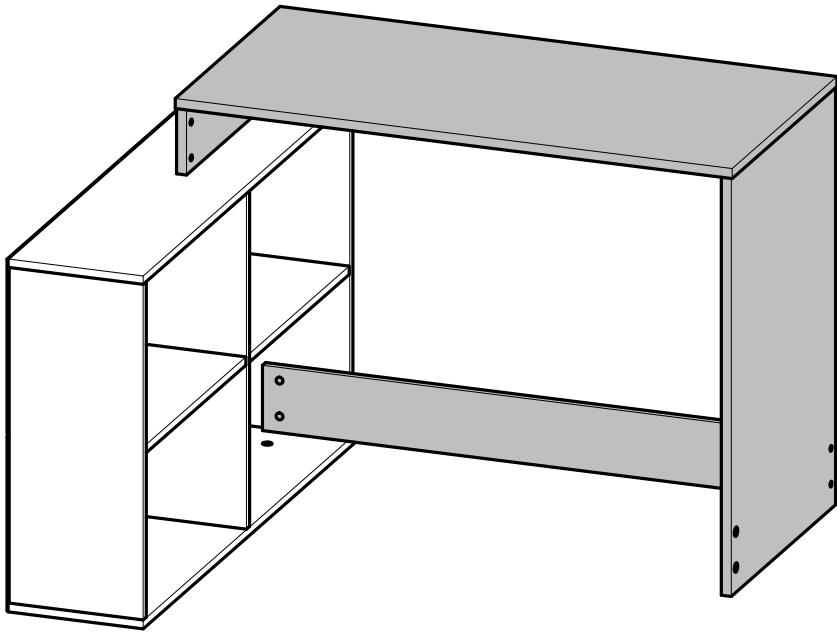




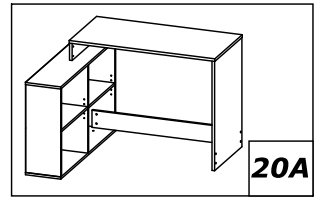




A

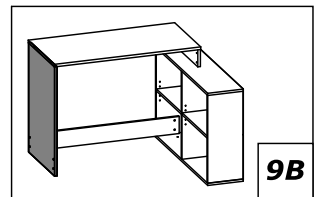
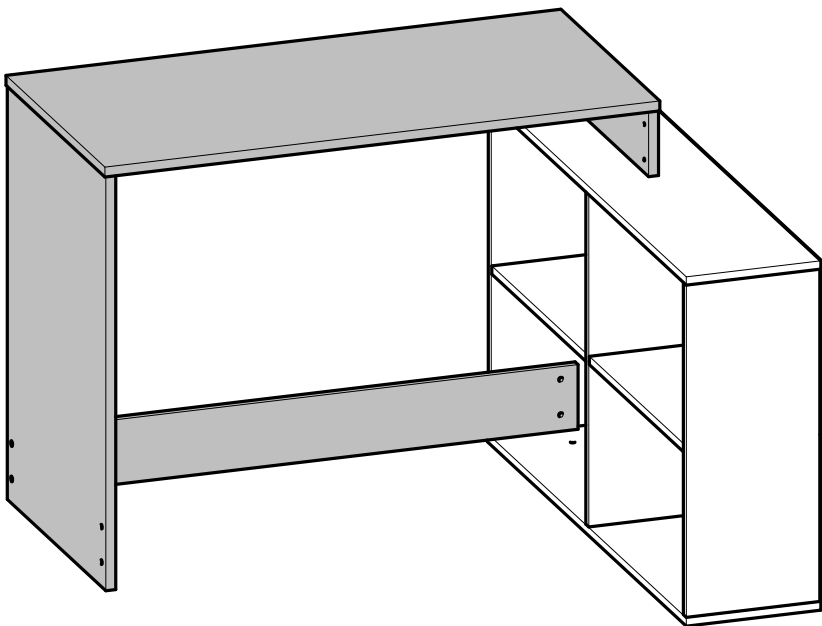


9A

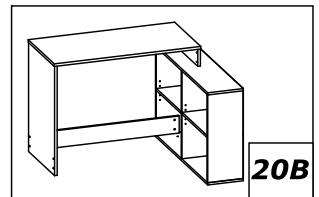


20A

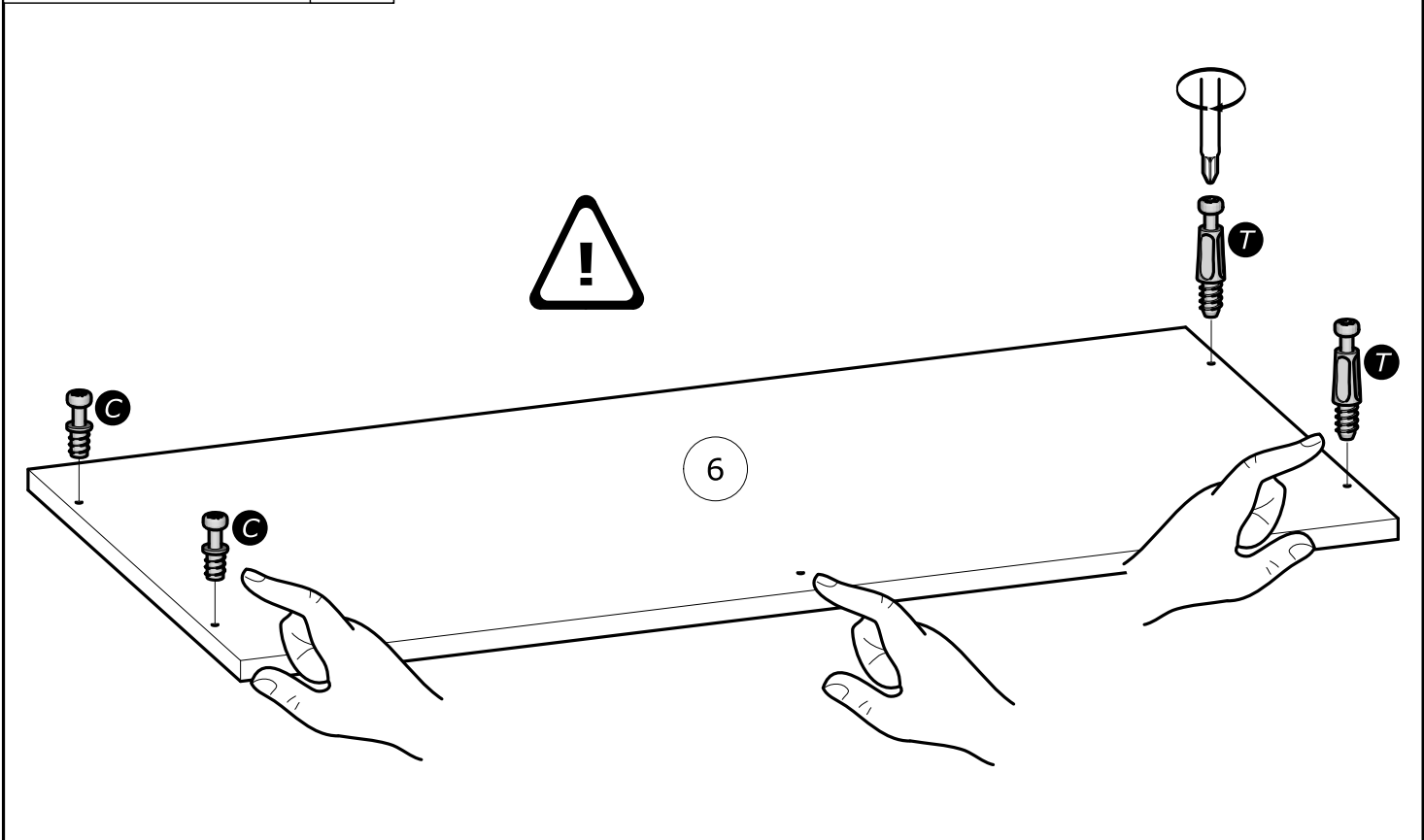
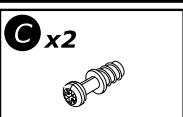
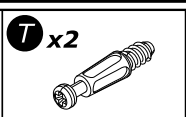
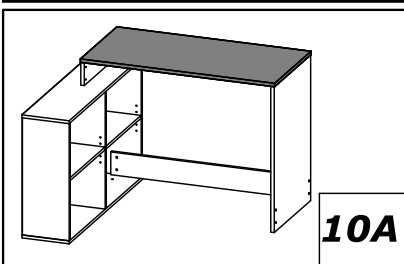
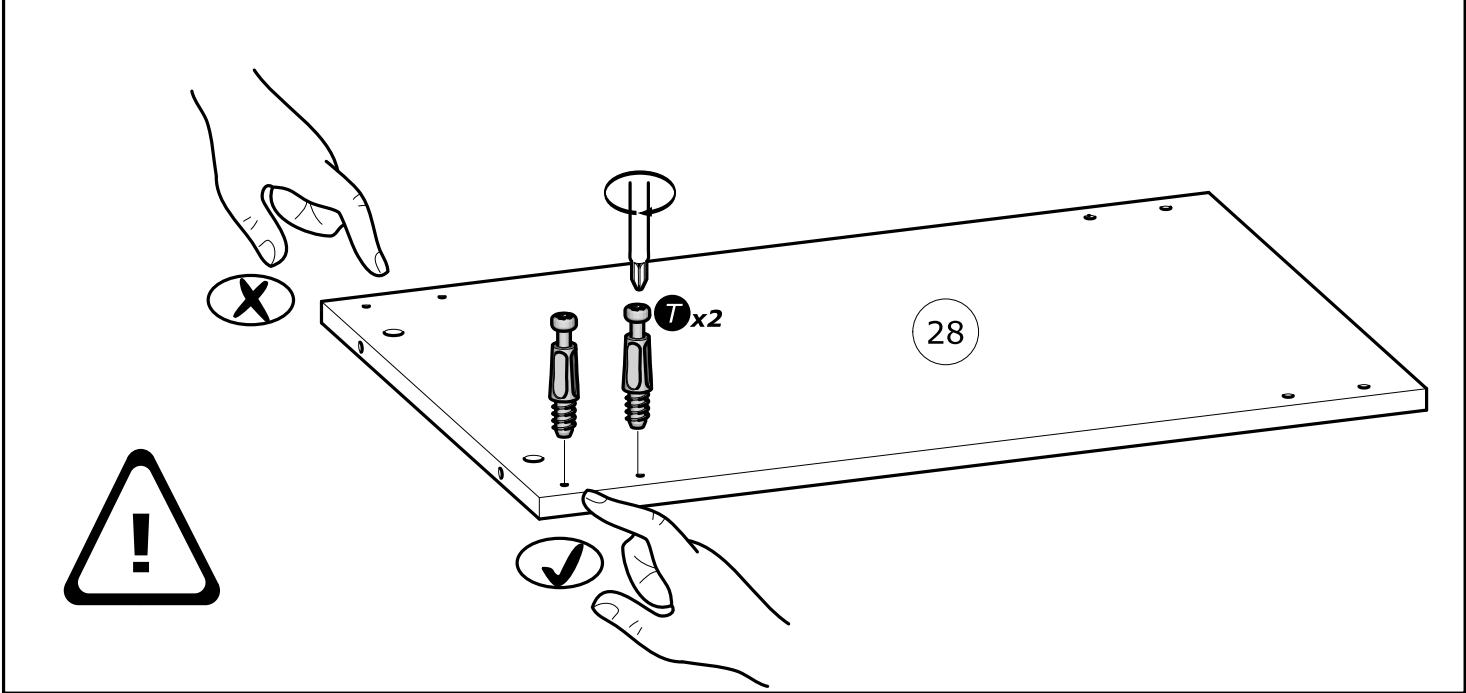
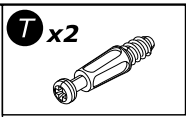
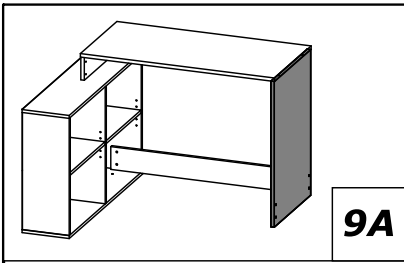
B

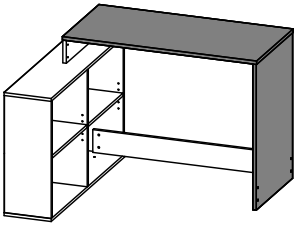


9B

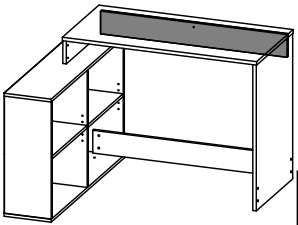
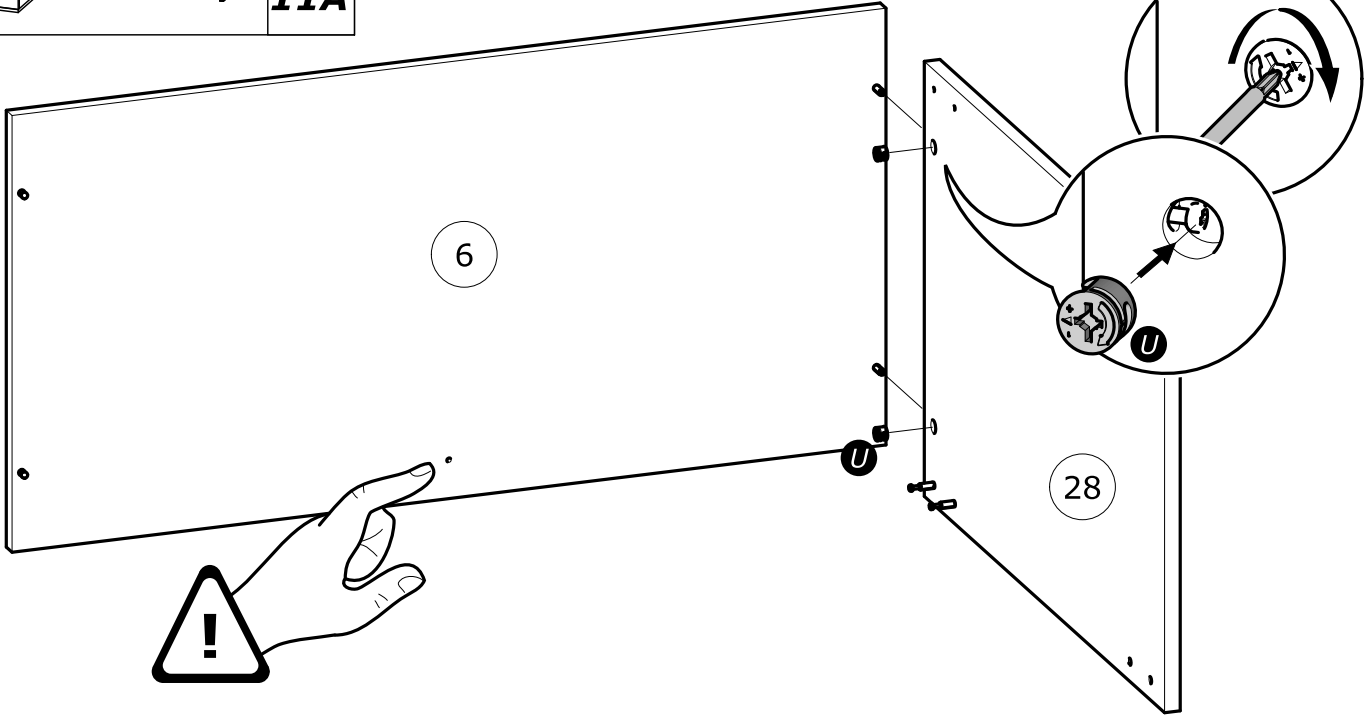
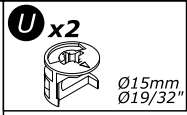


20B

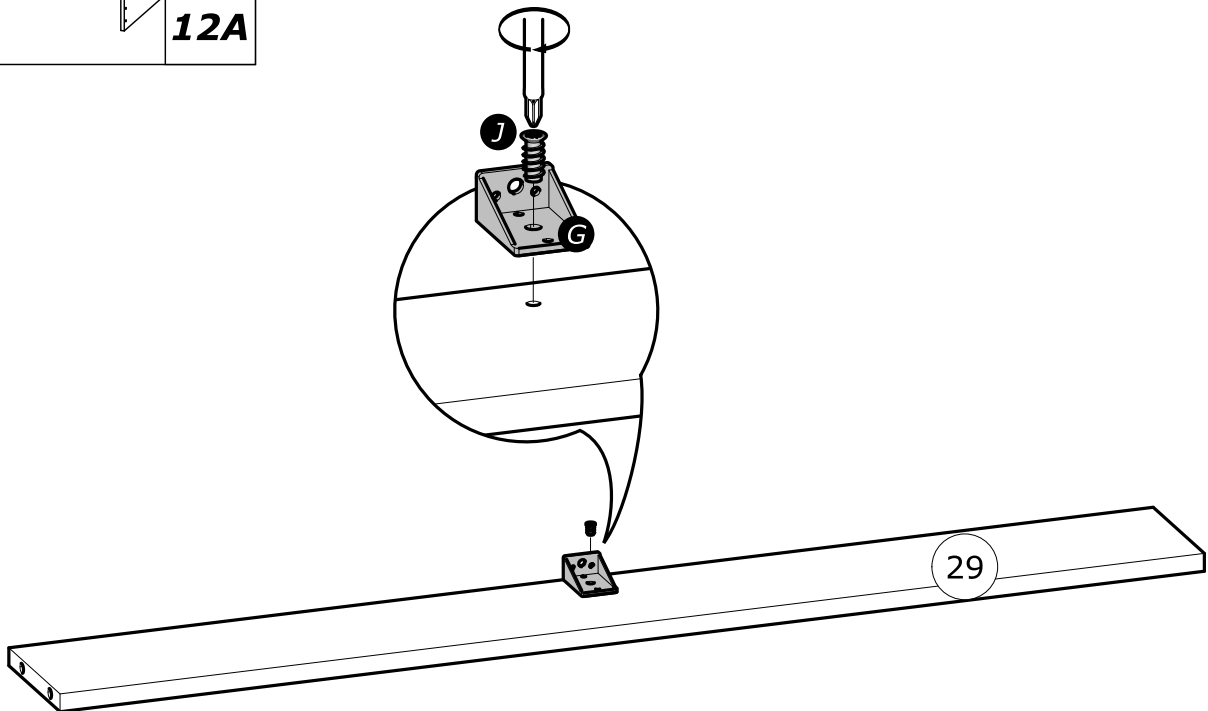
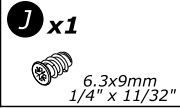
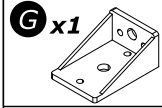


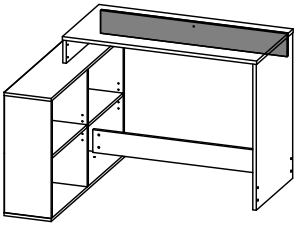


11A

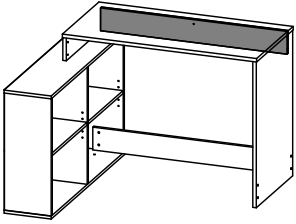
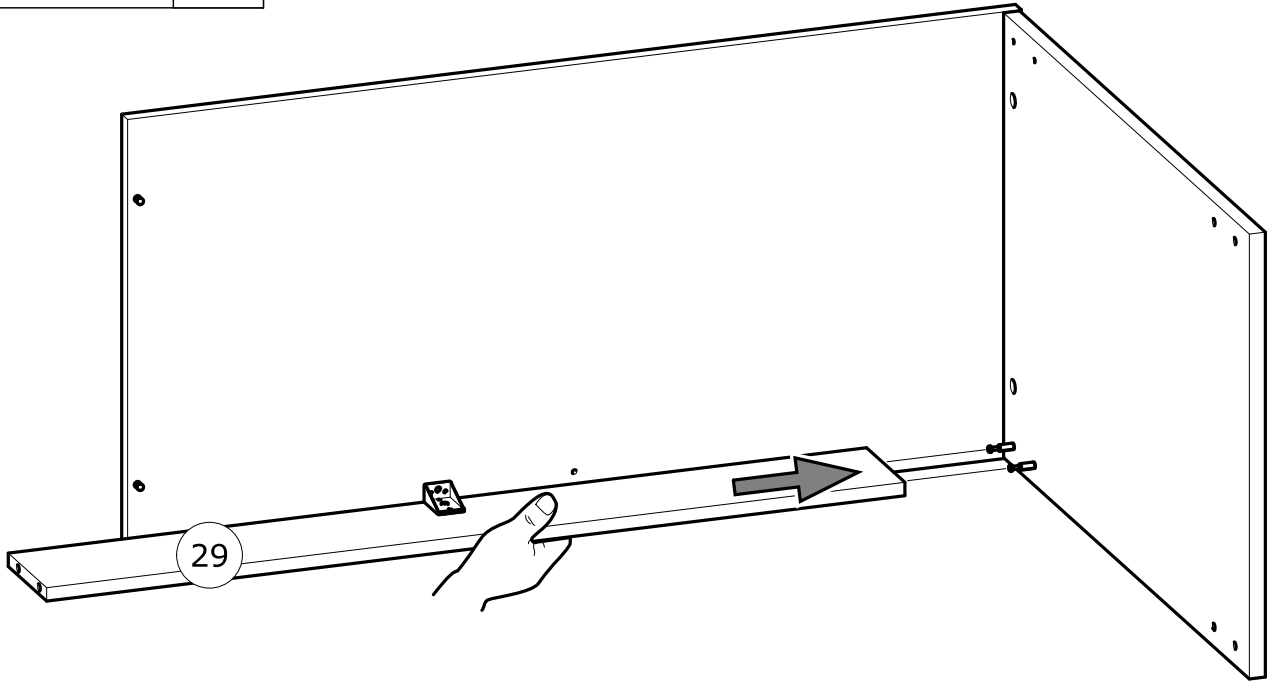


12A



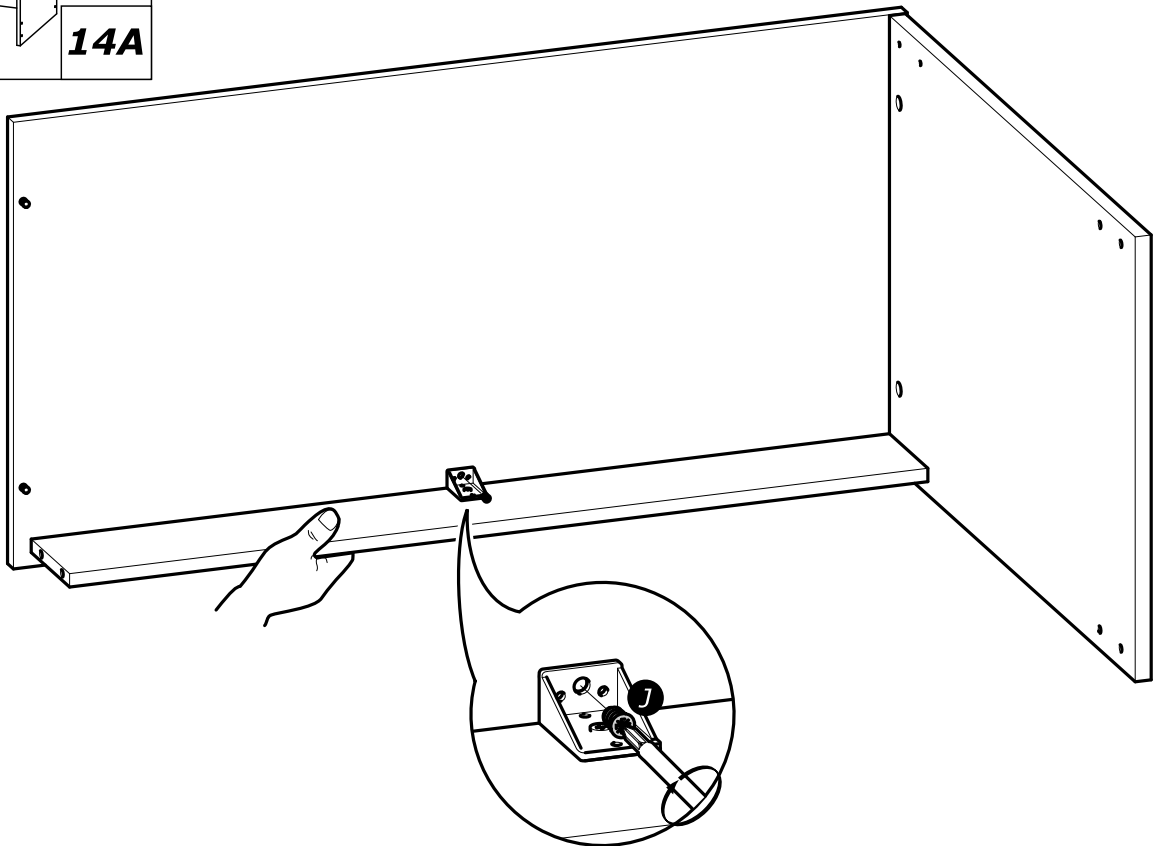


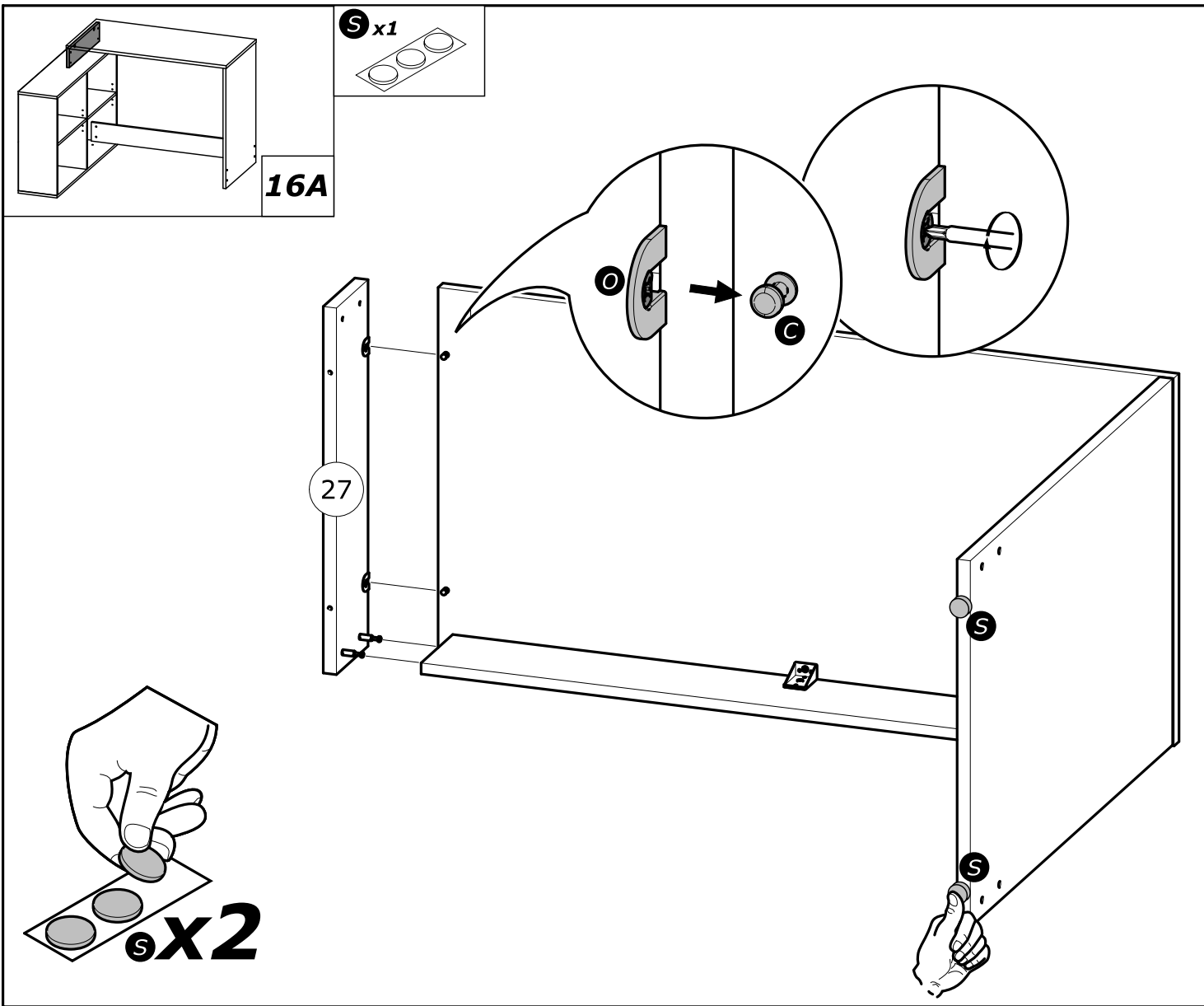
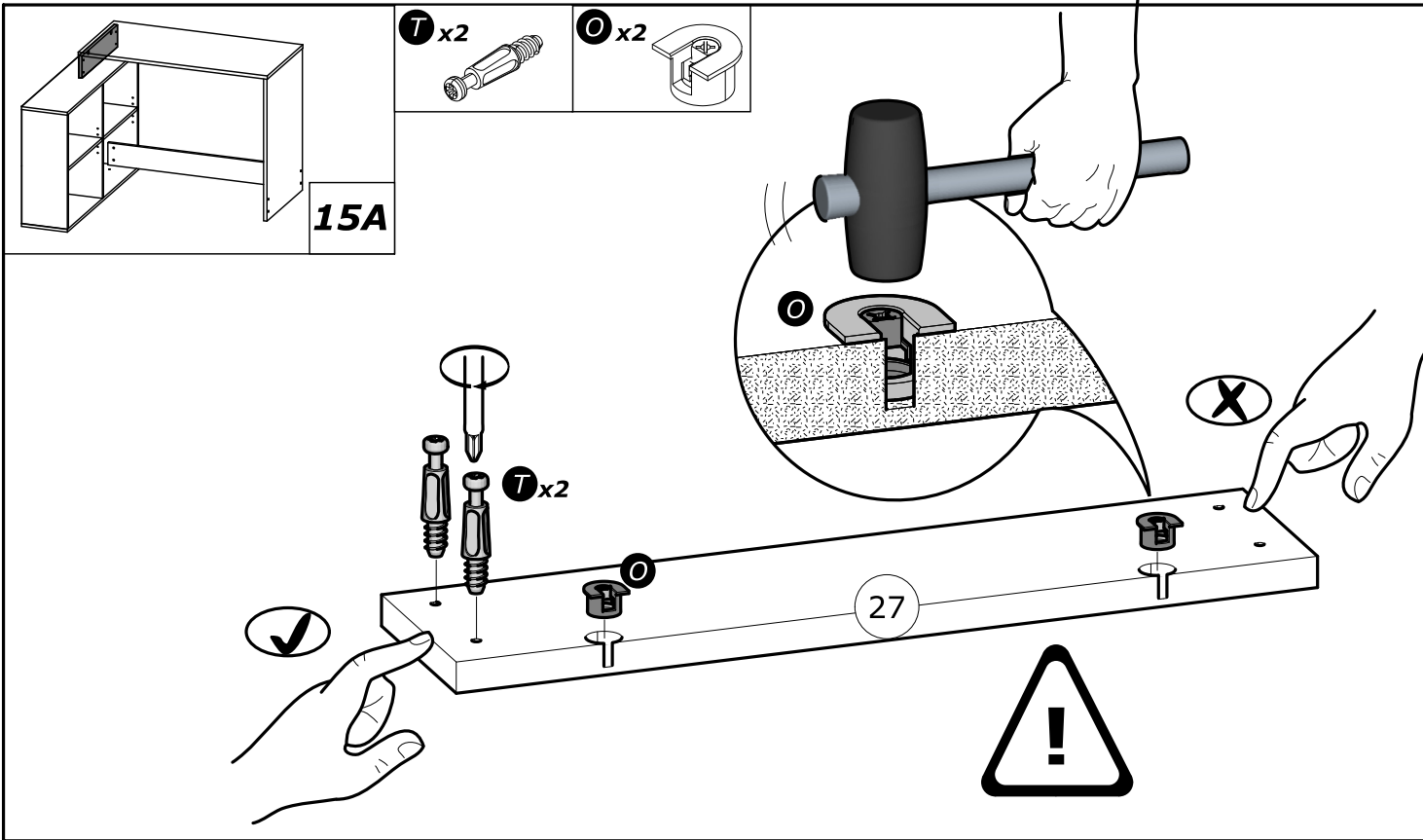
13A

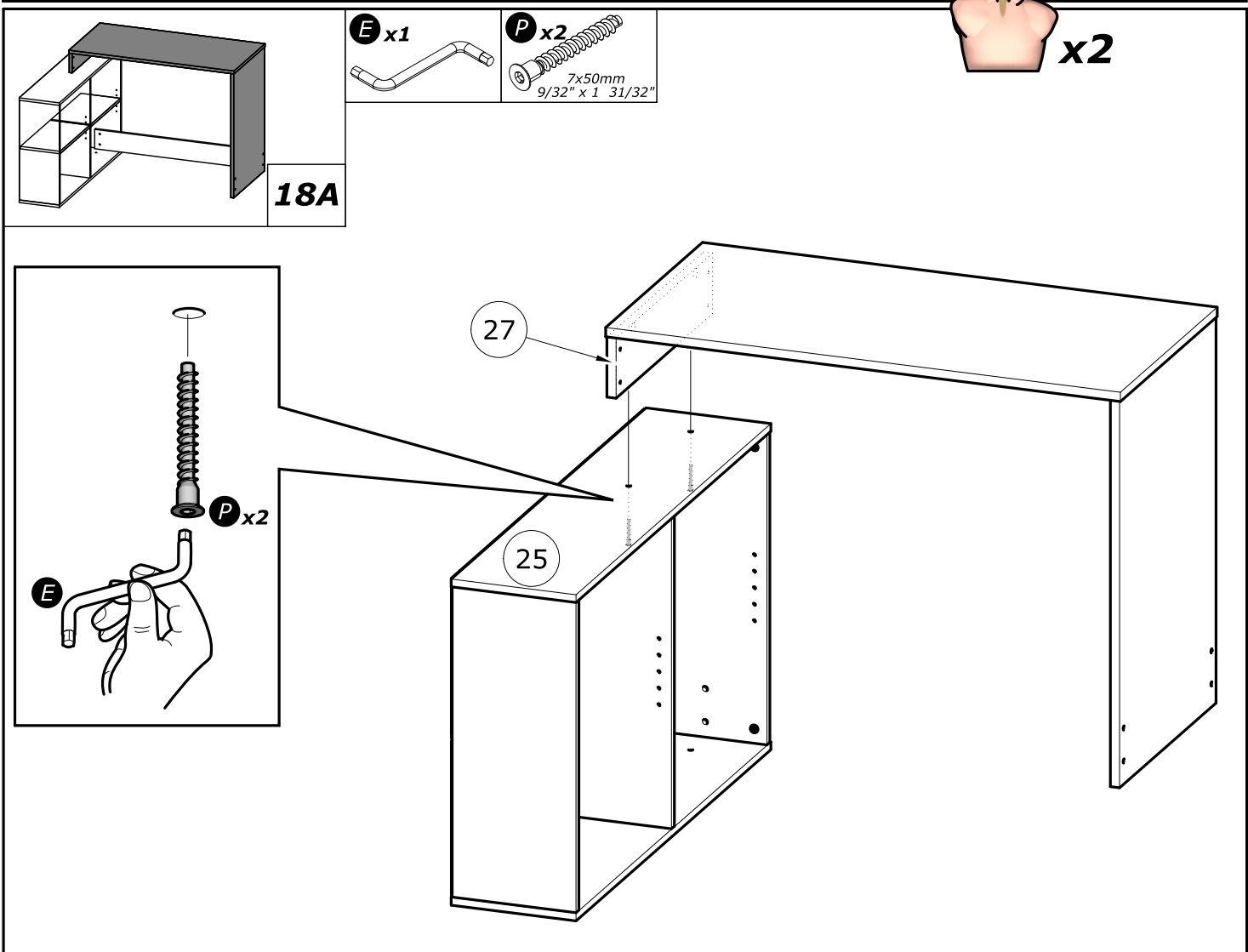
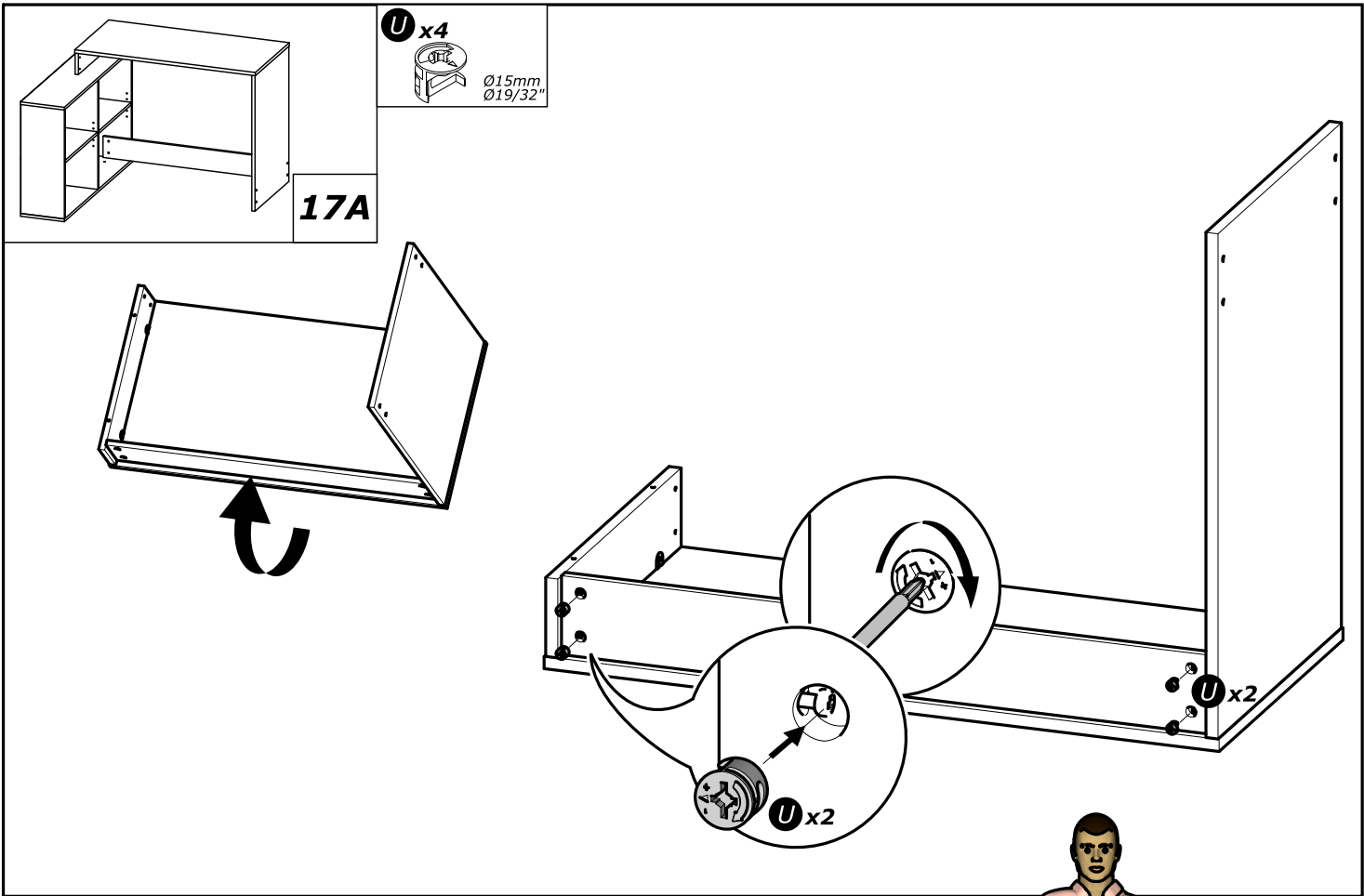


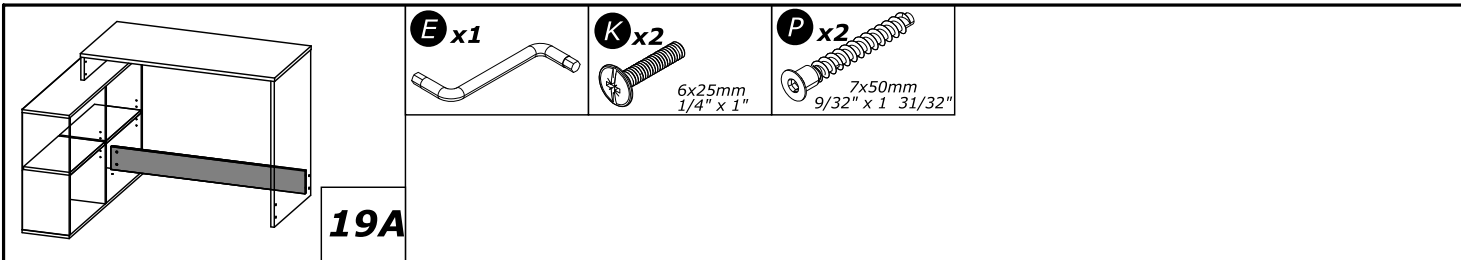
14A

J x1
6.3x9mm
1/4" x 11/32"

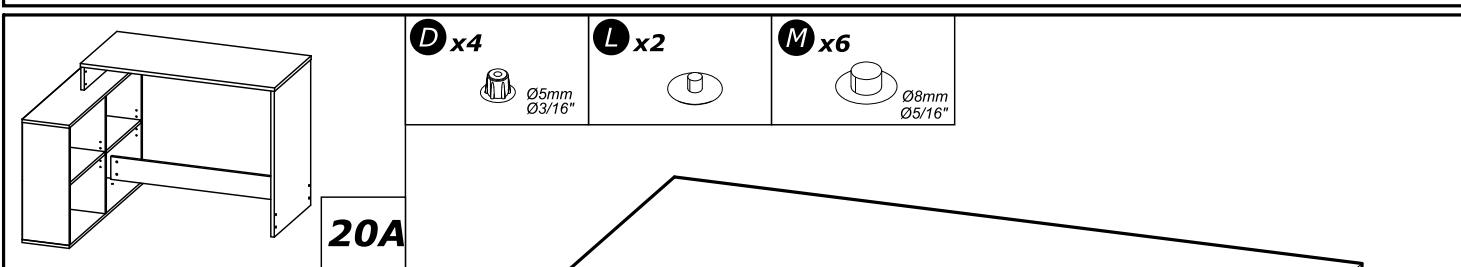
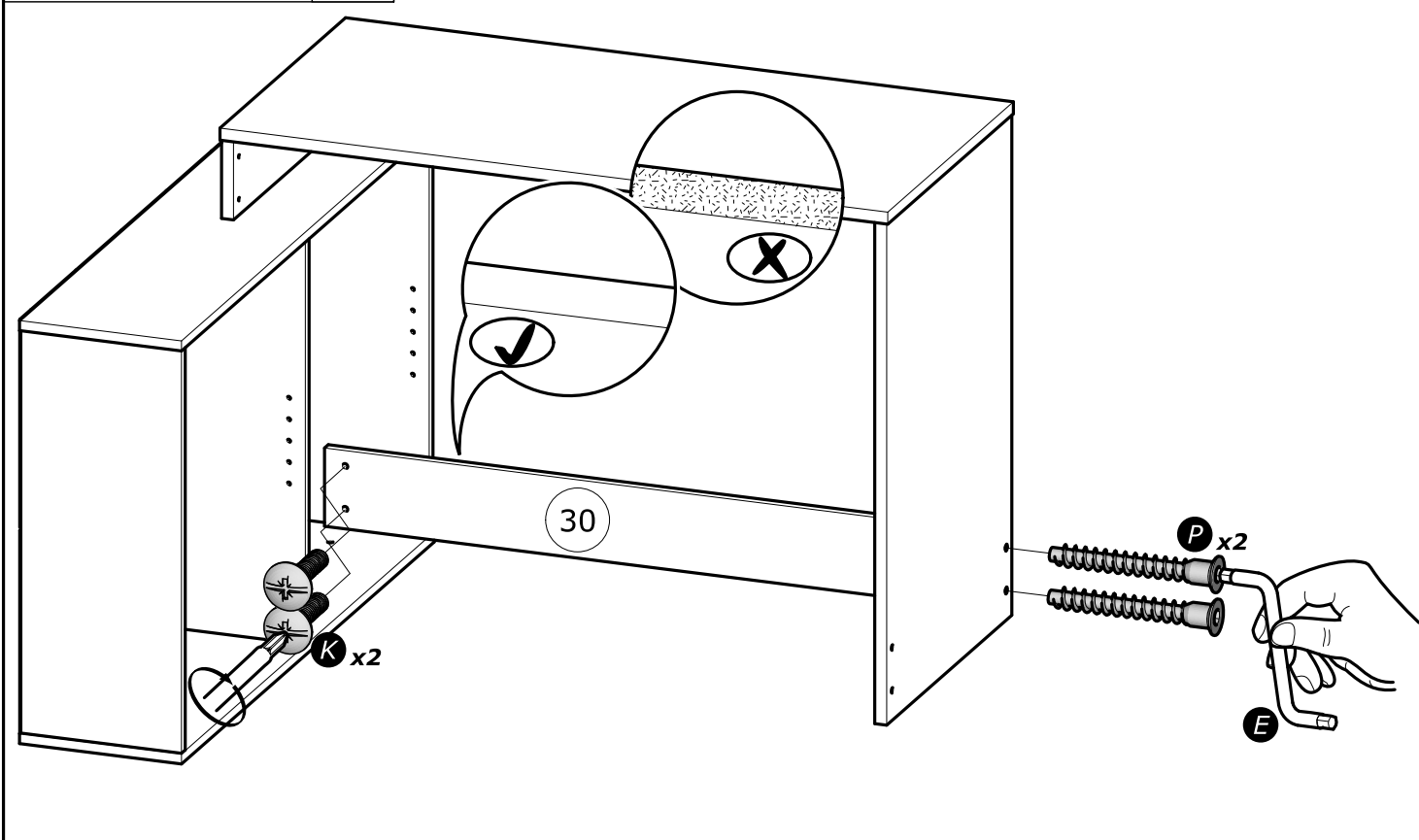




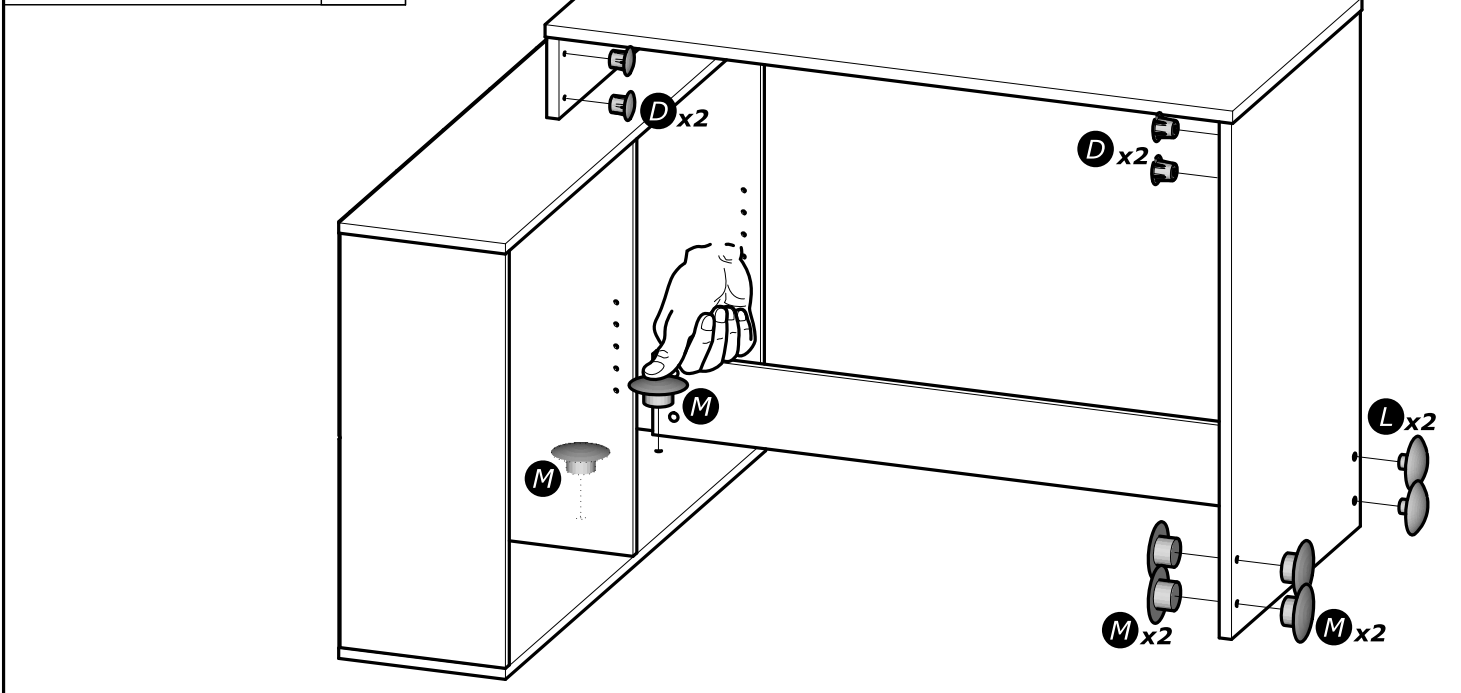


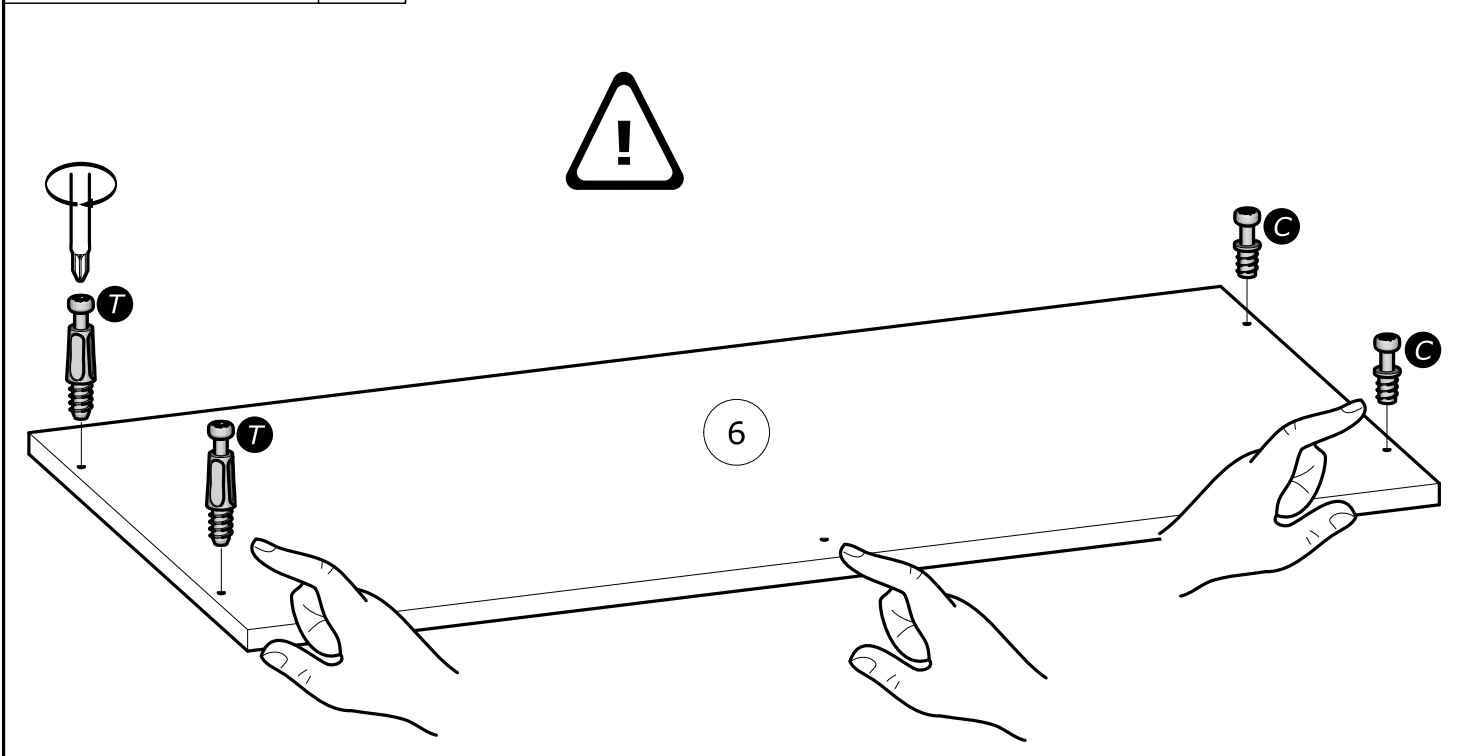
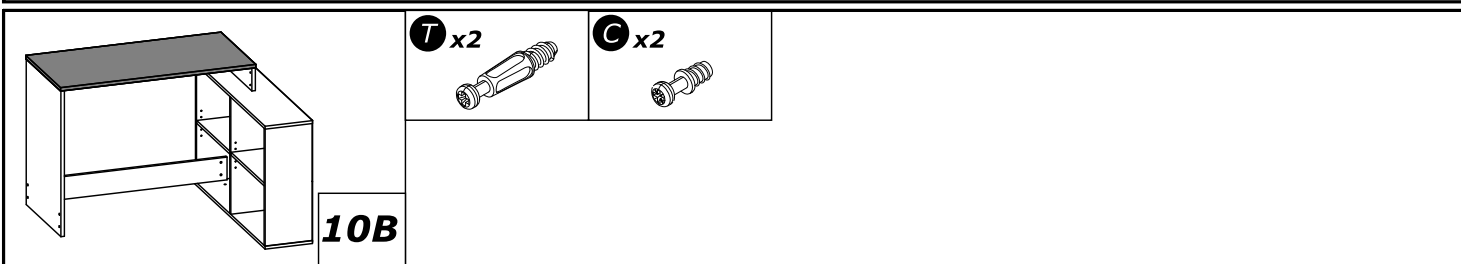
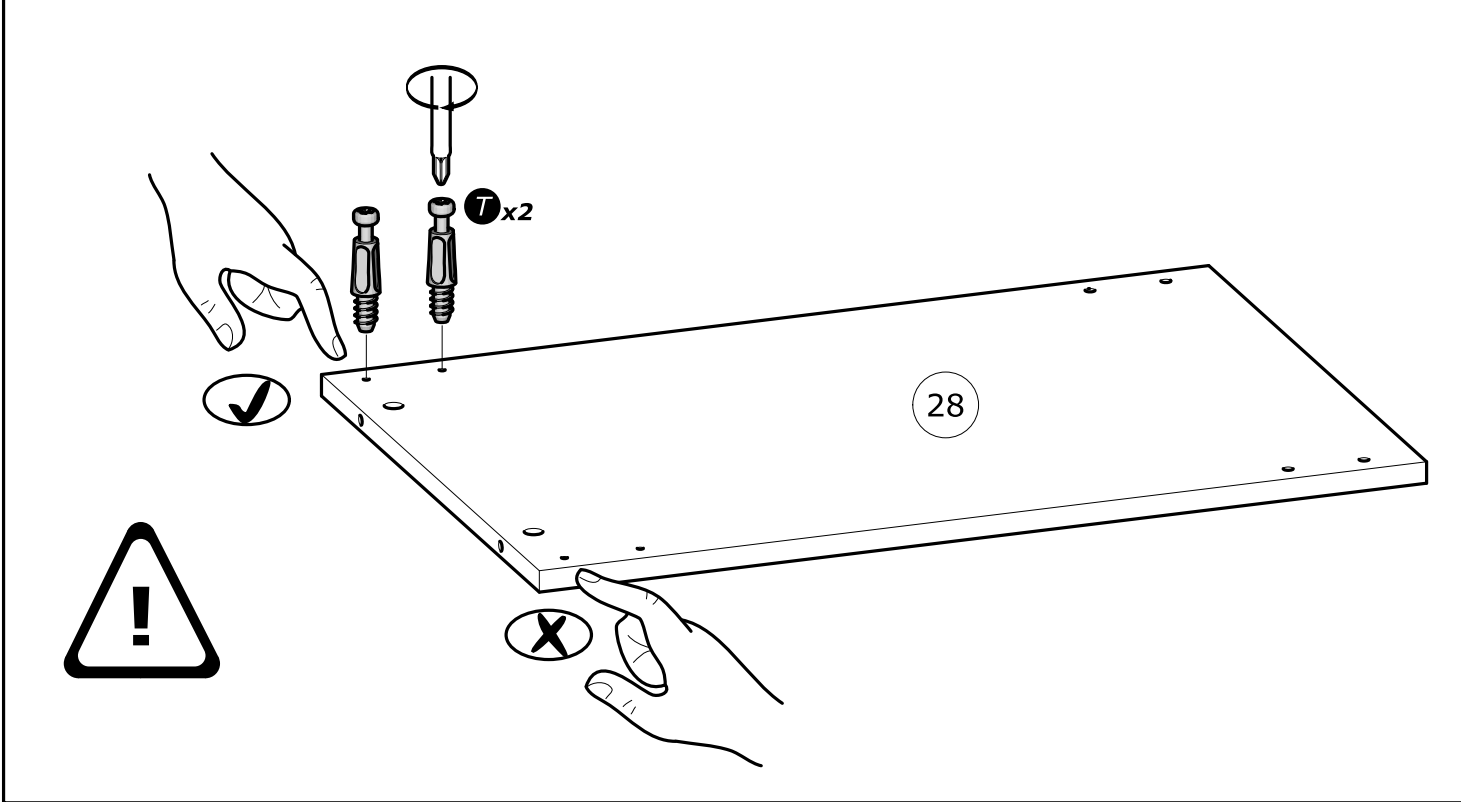


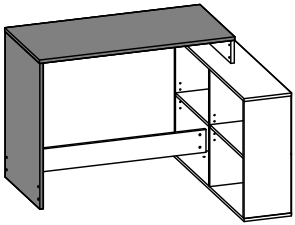
19A




20A

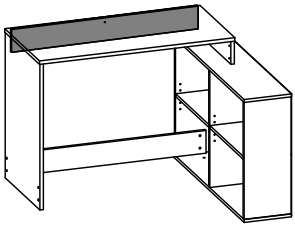
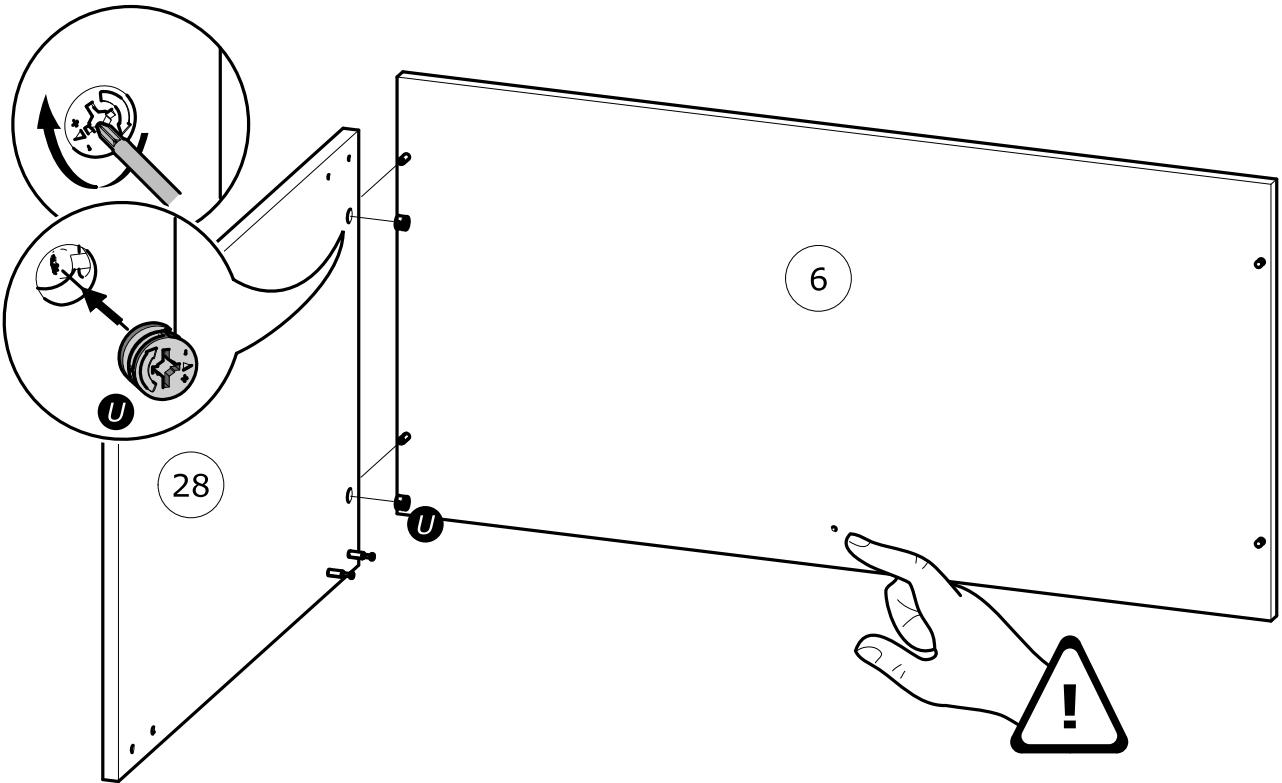




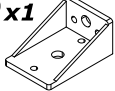



11B

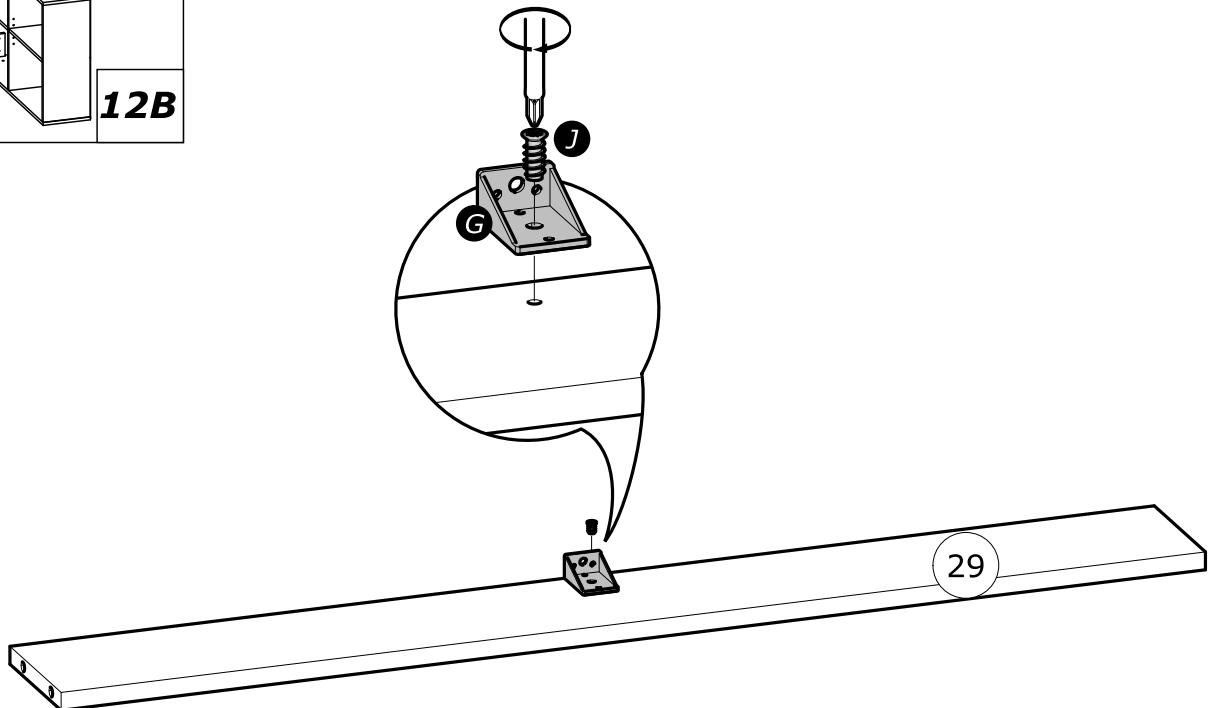
U x2

Ø15mm
Ø19/32"

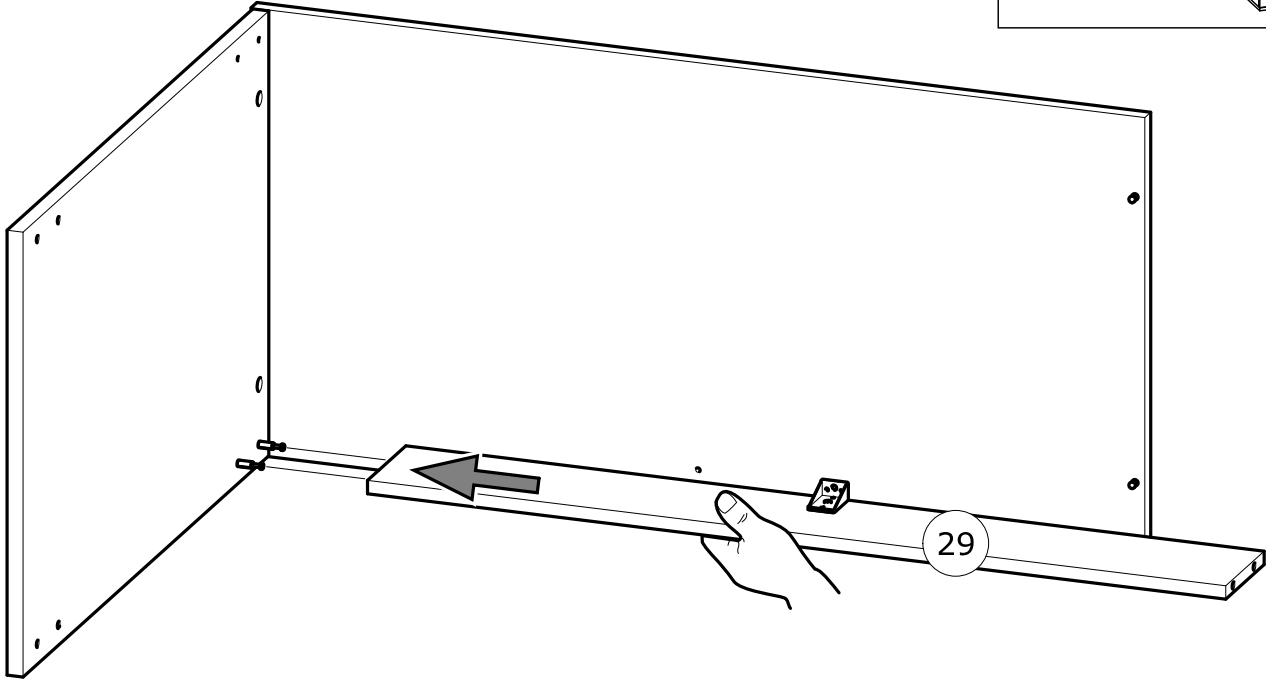
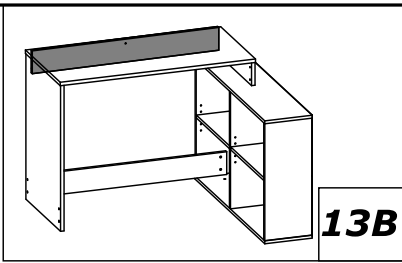


12B

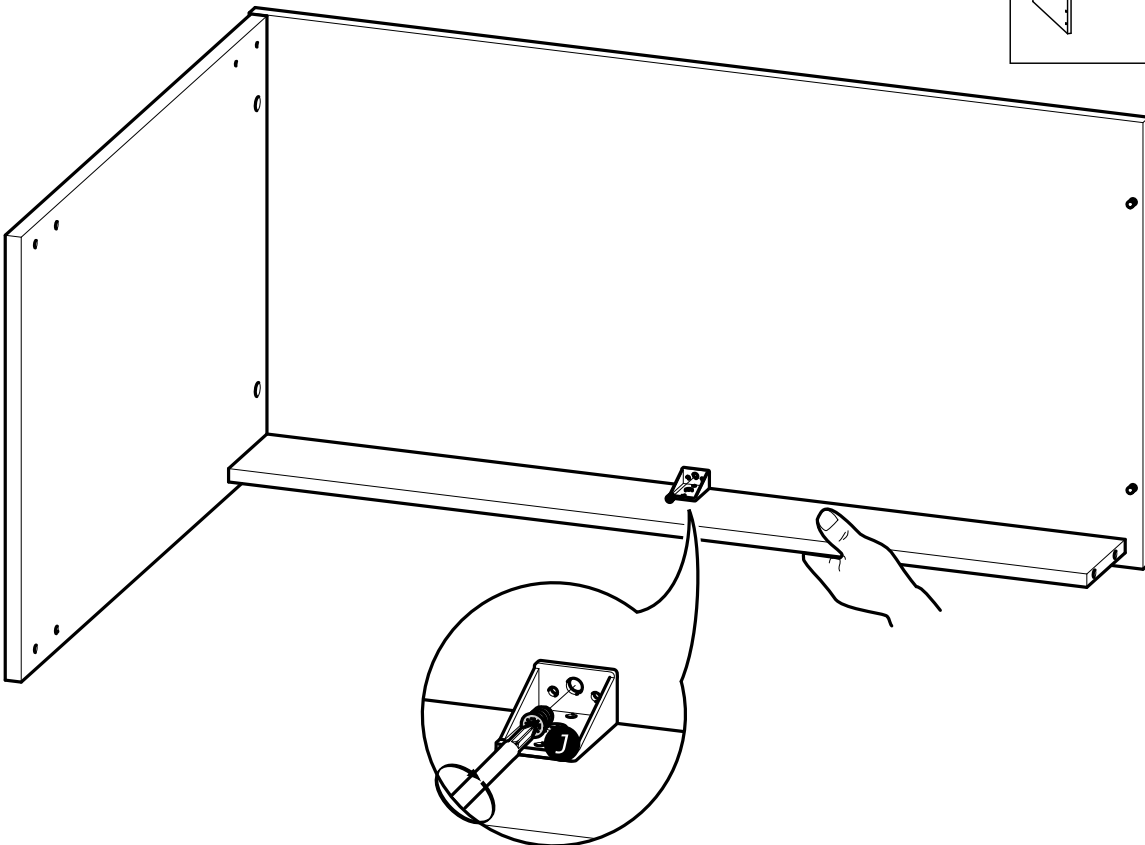
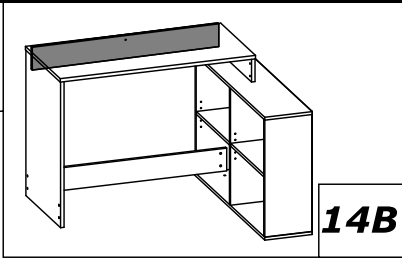
G x1


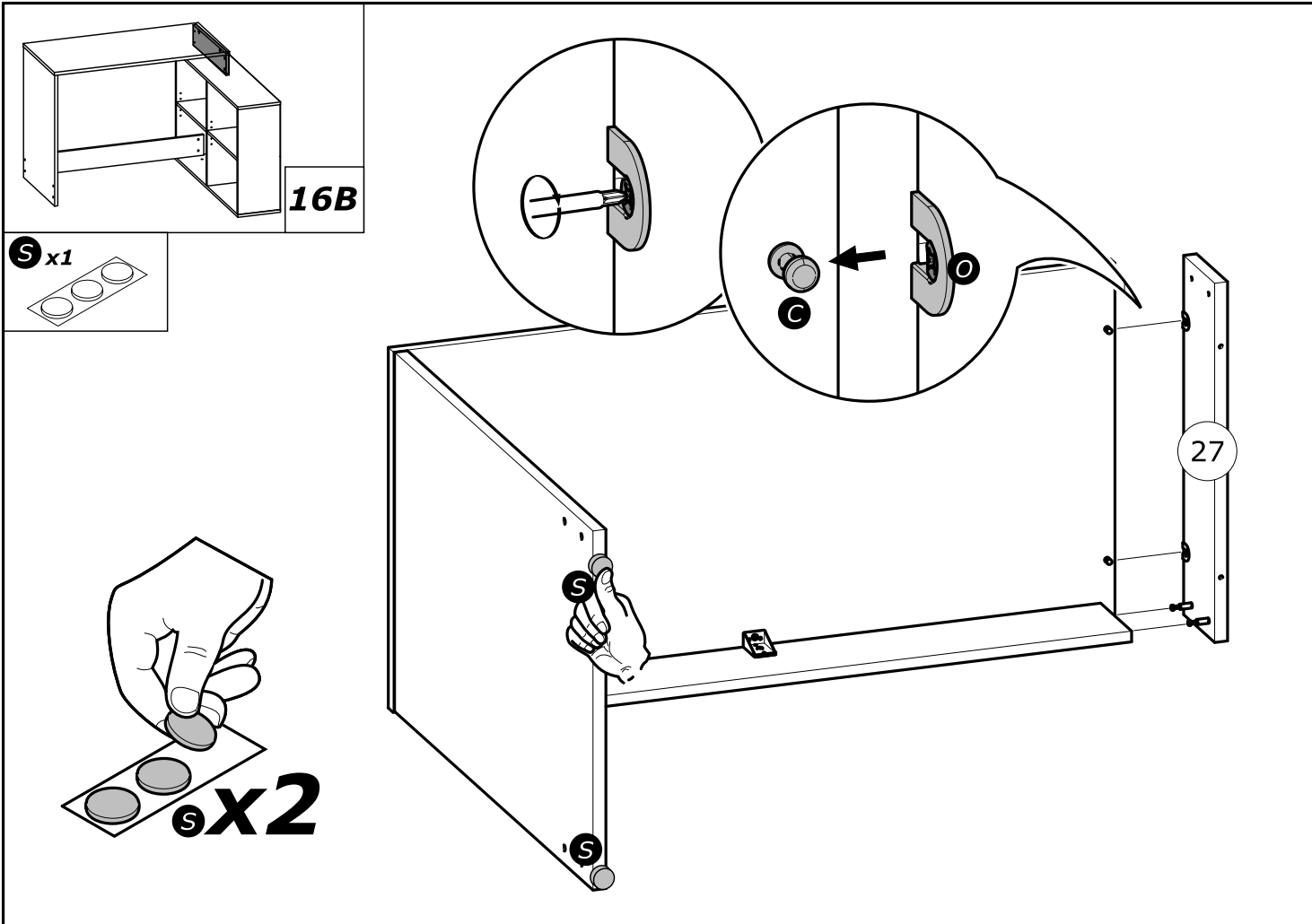
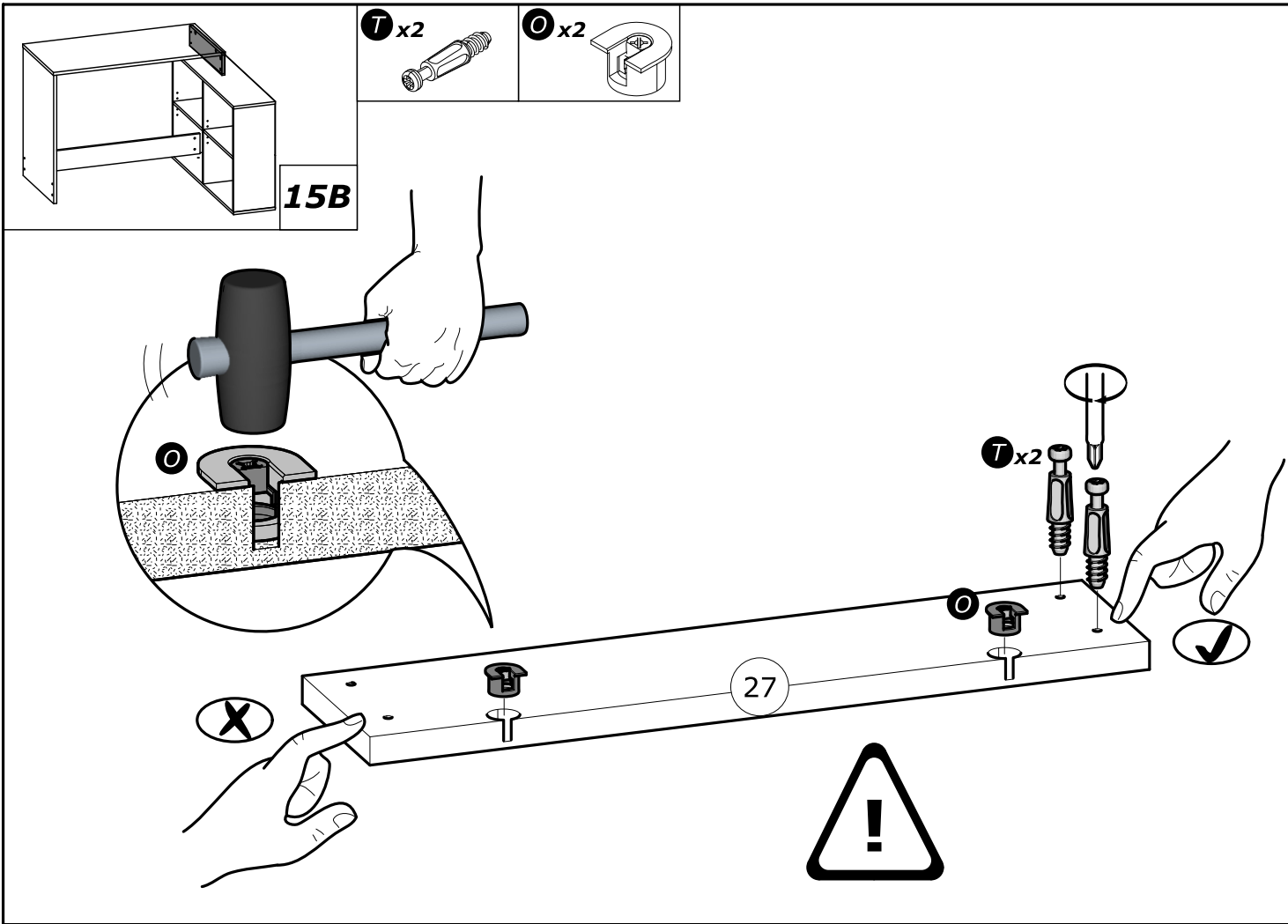
J x1

6.3x9mm
1/4" x 11/32"

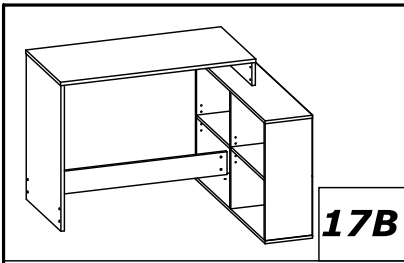





J x1
6.3x9mm
1/4" x 11/32"

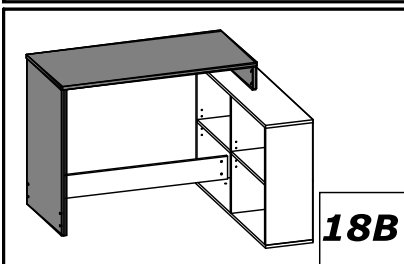
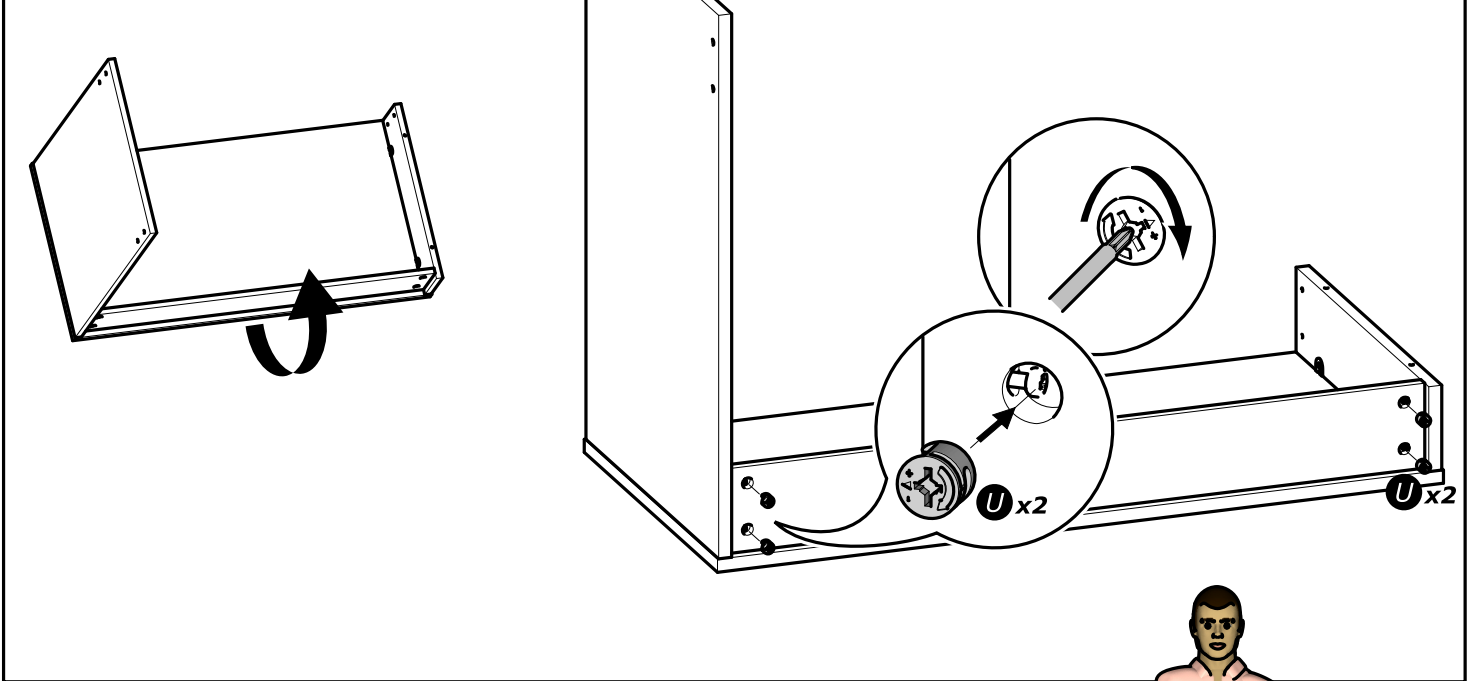




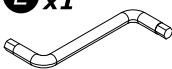



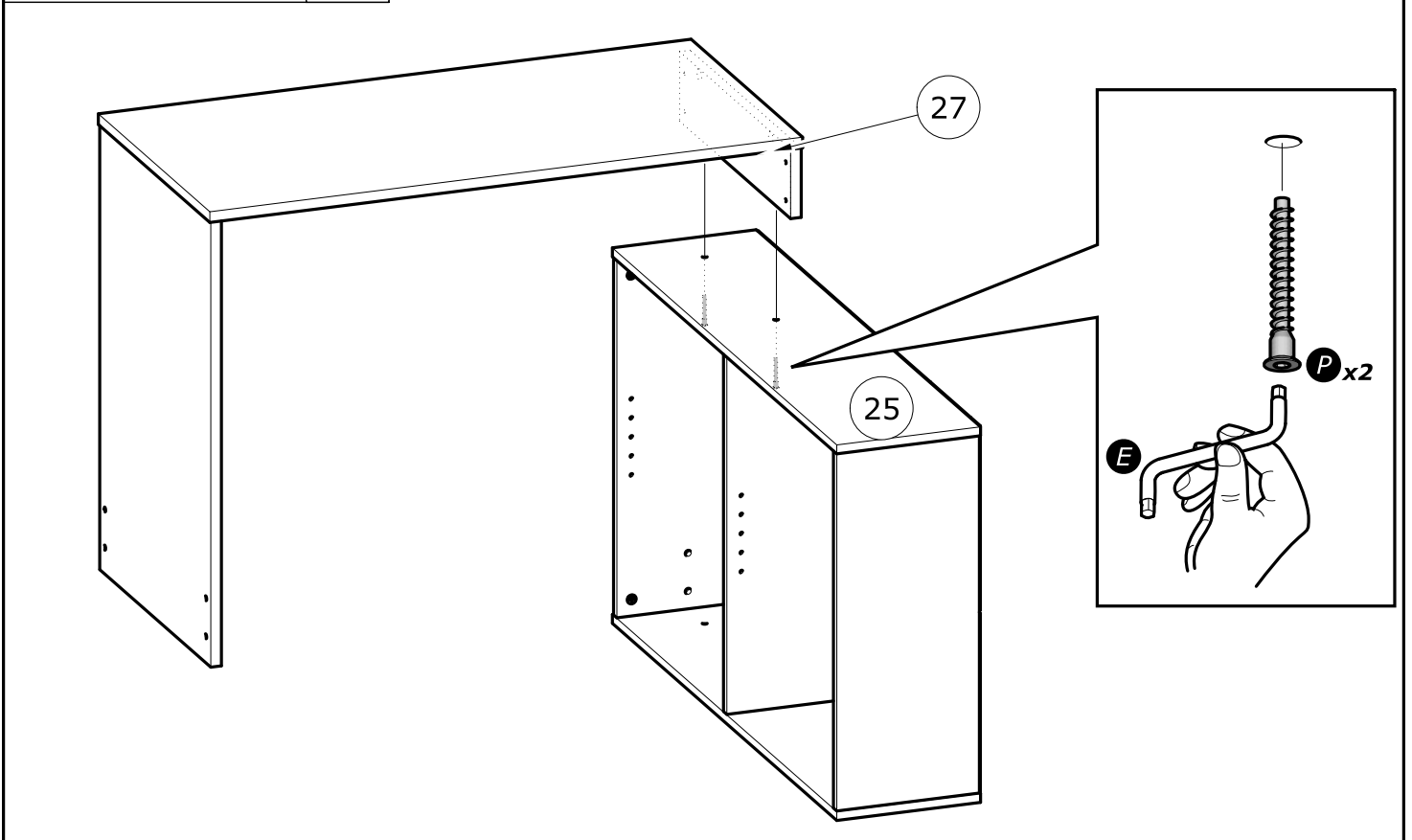
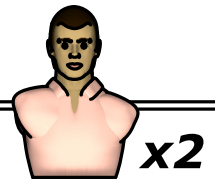
17B

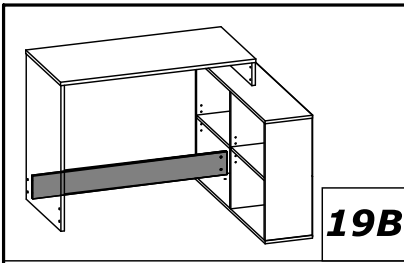
U x4

 Ø15mm
 Ø19/32"

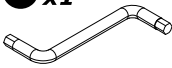
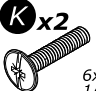



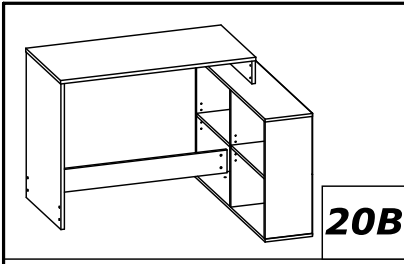
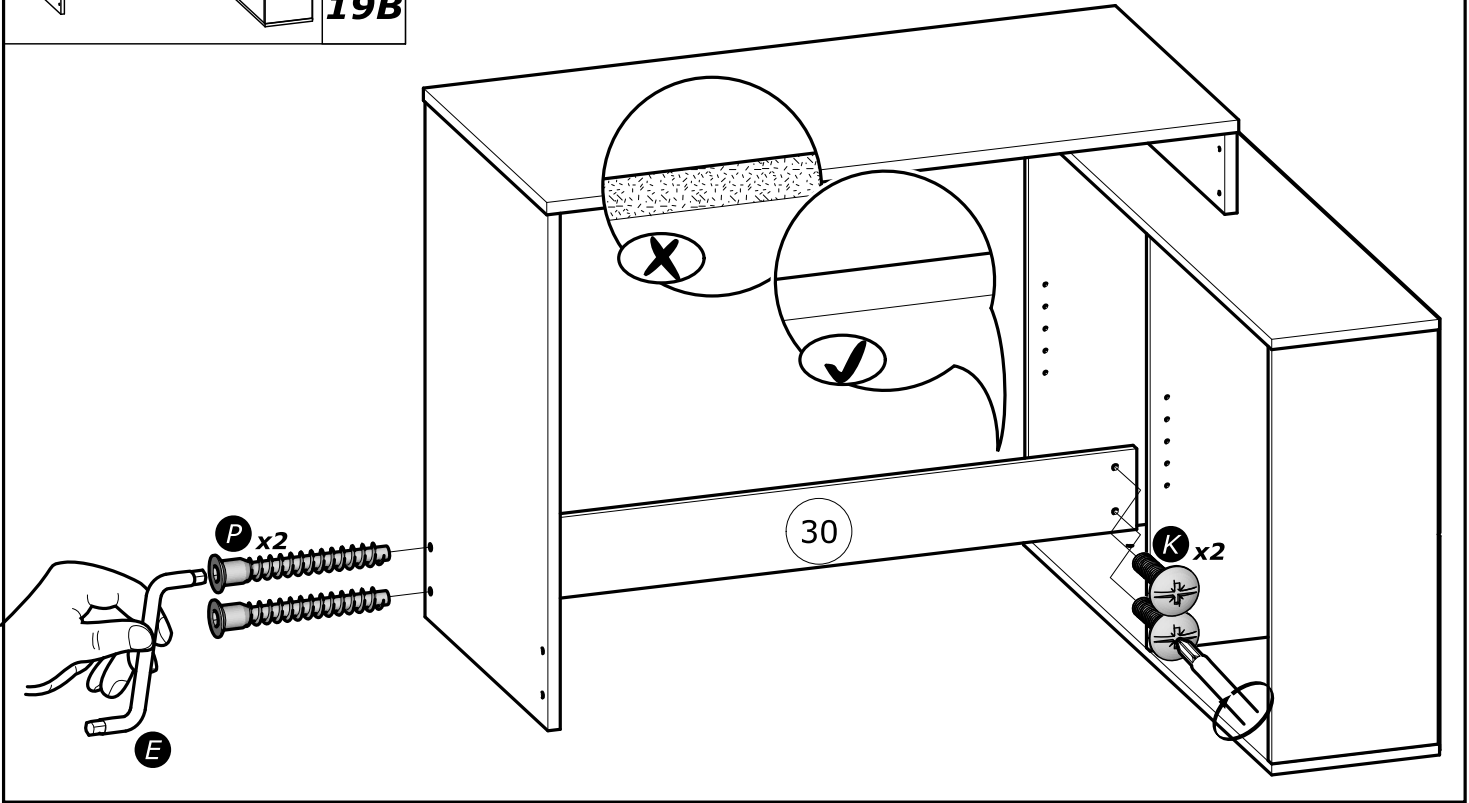
18B




E x1

P x2

 7x50mm
 9/32" x 1 31/32"

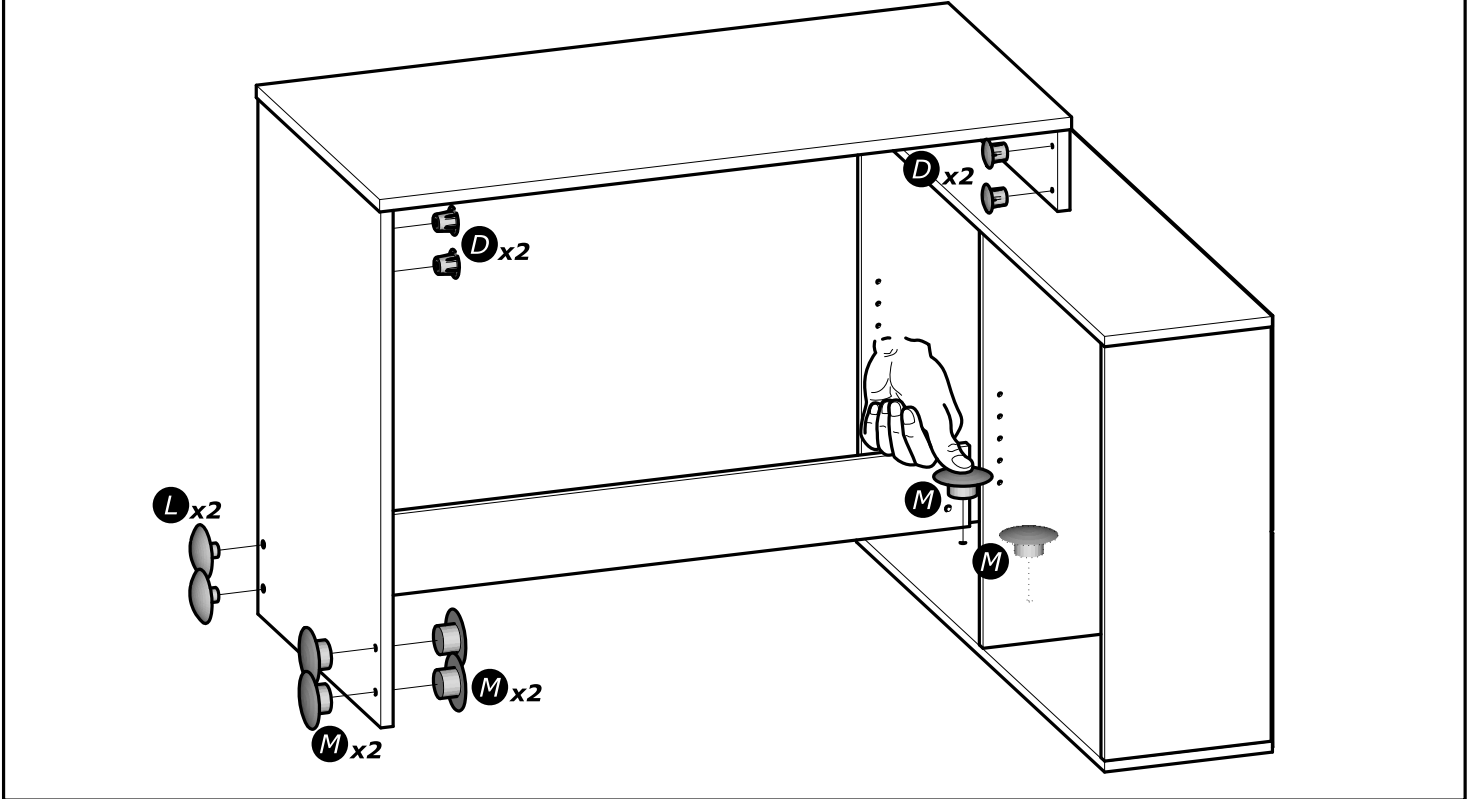


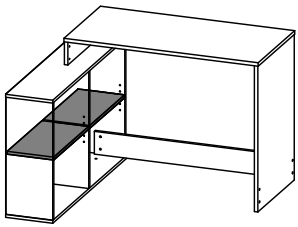


- E** x1 
- K** x2  6x25mm
1/4" x 1"
- P** x2  7x50mm
9/32" x 1 31/32"



- D** x4  Ø5mm
Ø3/16"
- L** x2 
- M** x6  Ø8mm
Ø5/16"

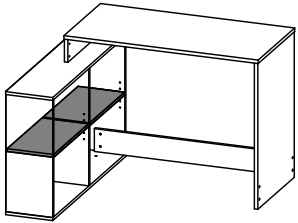
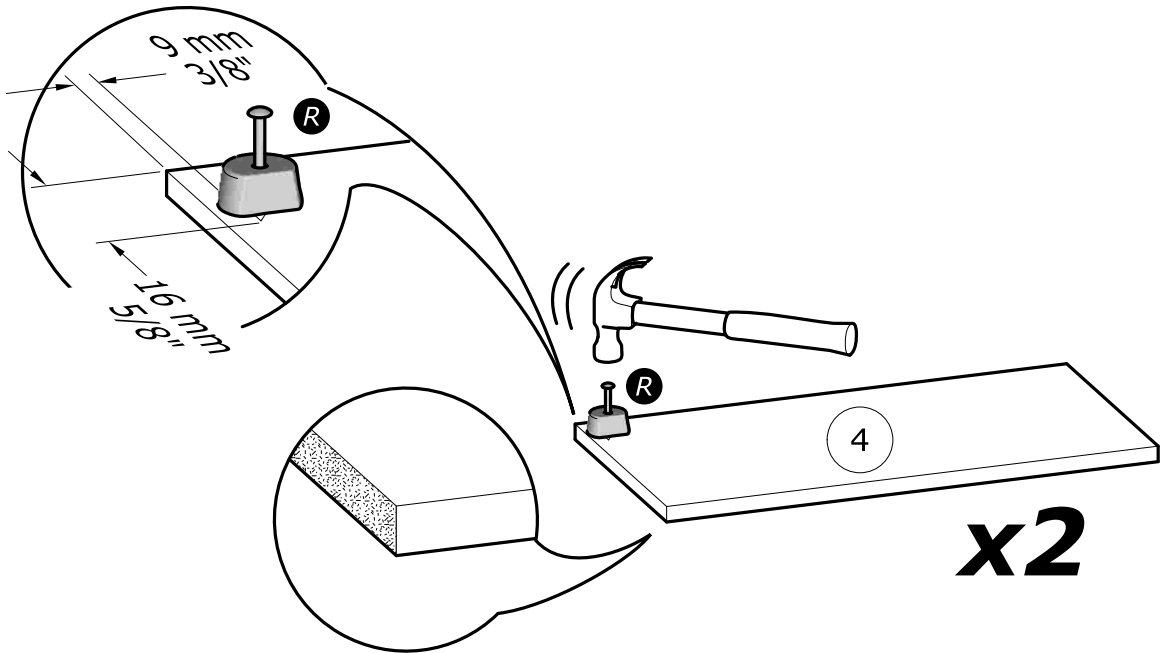




21

A&B

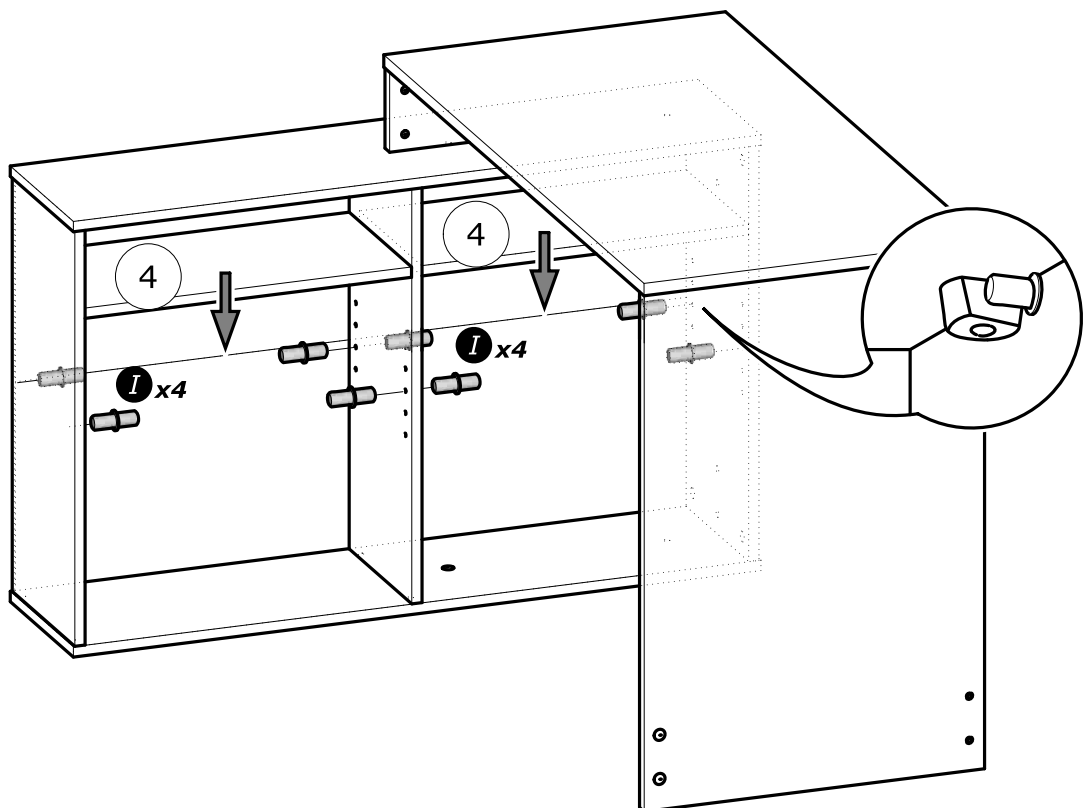
R x2

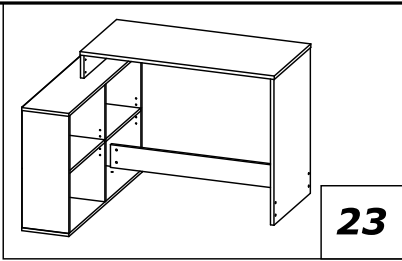


22

A&B

I x8





A&B

